

HUSQVARNA - SPARE PARTS CATALOGUE

CHAIN SAWS: HUSQVARNA 572 XP®

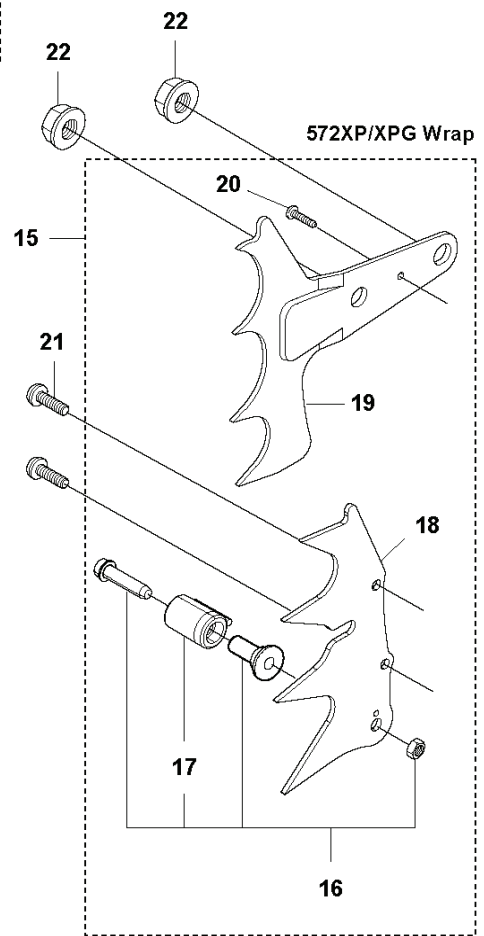
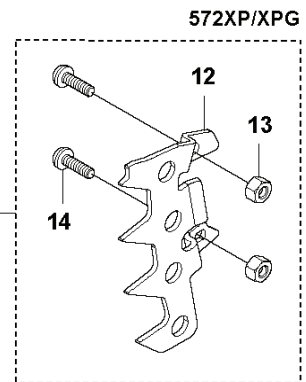
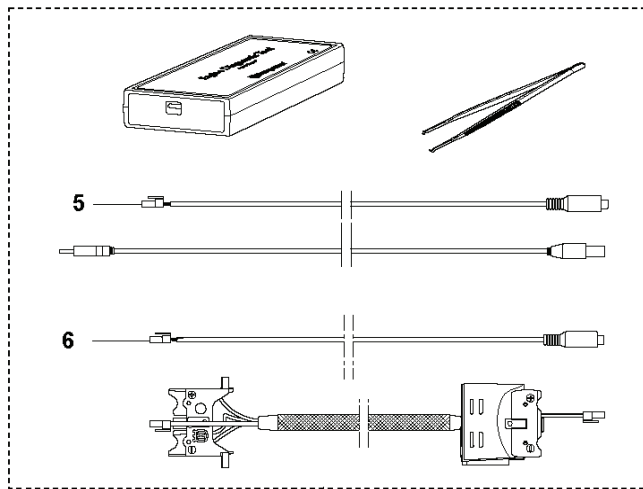
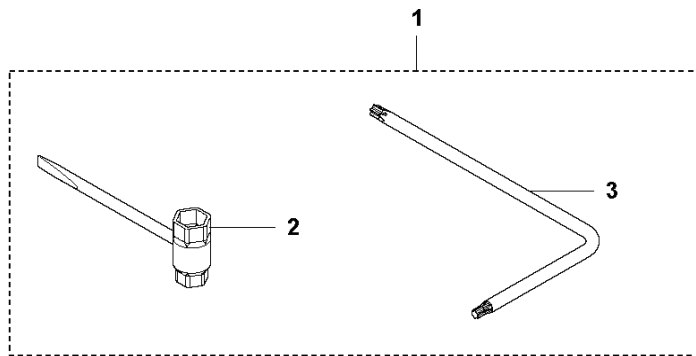
Spare parts list

SPARE PARTS LIST

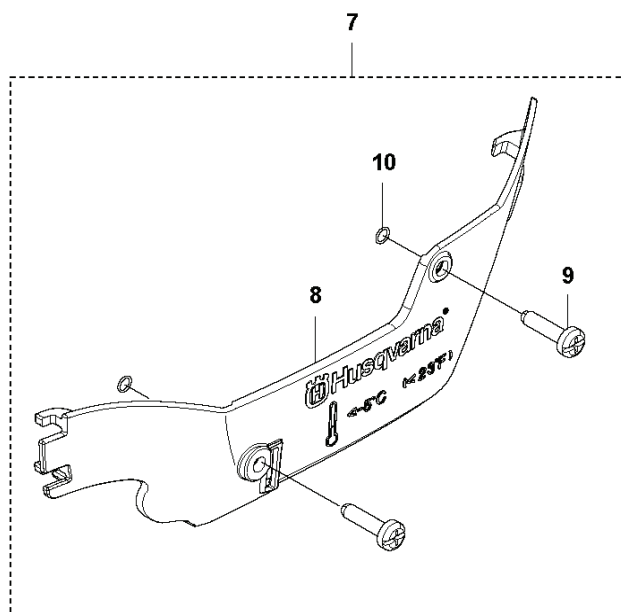
CHAIN SAWS

HUSQVARNA 572 XP®

**Q 572 XP
ACCESSORIES**



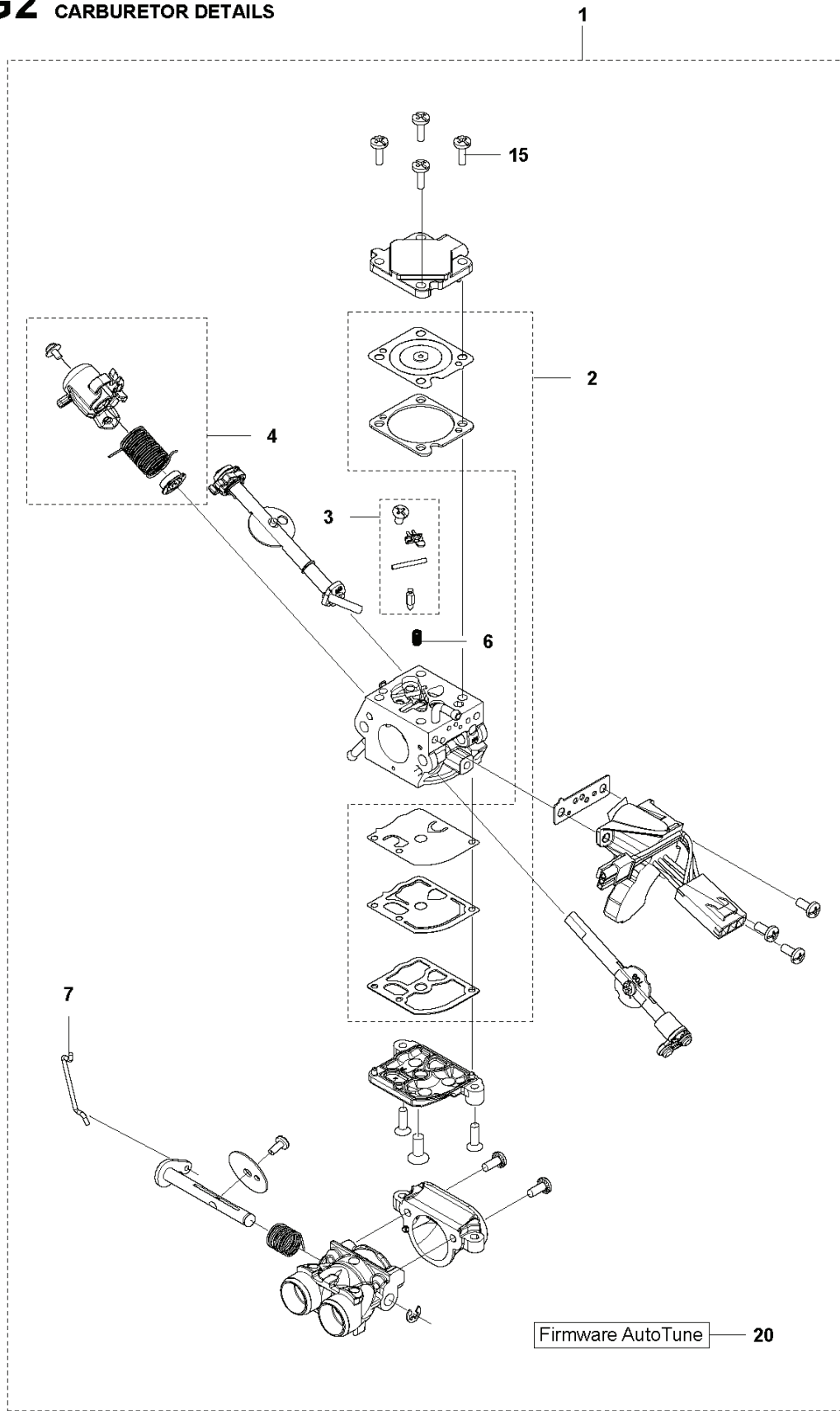
WINTER KIT 572XP



CHAIN SAWS

PXM_REF	PXM_PARTNO	DESCRIPTION	PXM_REMARK	QTY.
1	503558513	TOOL		1
2	501691701	COMBINATION WRENCH		1 1
3	575880701	WRENCH		1 1
4	583897101	DIAGNOSTIC TOOL KIT		1
5	576183401	CABLE ASSY		1 4
6	576952201	CABLE ASSY		1 4
7	575527501	WINTER KIT		1
8	576162601	WINTER COVER		1 7
9	503217016	SCREW CCRPANT		2 7
10	740420100	O-RING		2 7
11	590261001	SPIKE	Outer, std	1
12	575236501	SPIKE		1 11
13	503222401	LOCK NUT		2 11
14	525755202	SCREW ITXSCFM		2 11
15	589772101	SPIKE		1
16	589771301	CHAIN CATCHER		1
17	537024401	WEAR PROTECTION		1 16
18	537017201	SPIKE		1 15
19	503922701	SPIKE		1 15
20	525887402	SCREW CITXPANT		1 15
21	525824902	SCREW ITXSCM		2
22	503220001	HEXAGON NUT		2

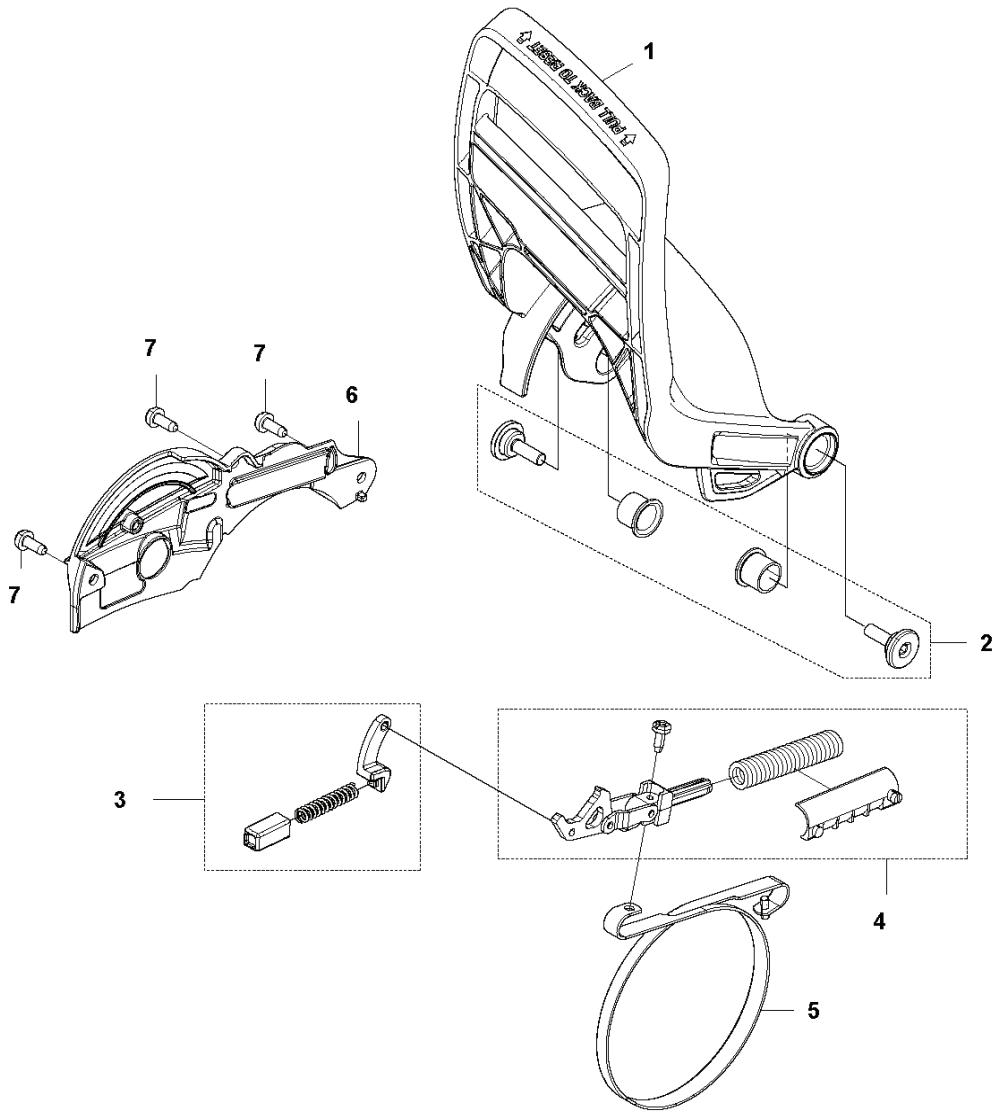
G2 572 XP CARBURETOR DETAILS



CHAIN SAWS

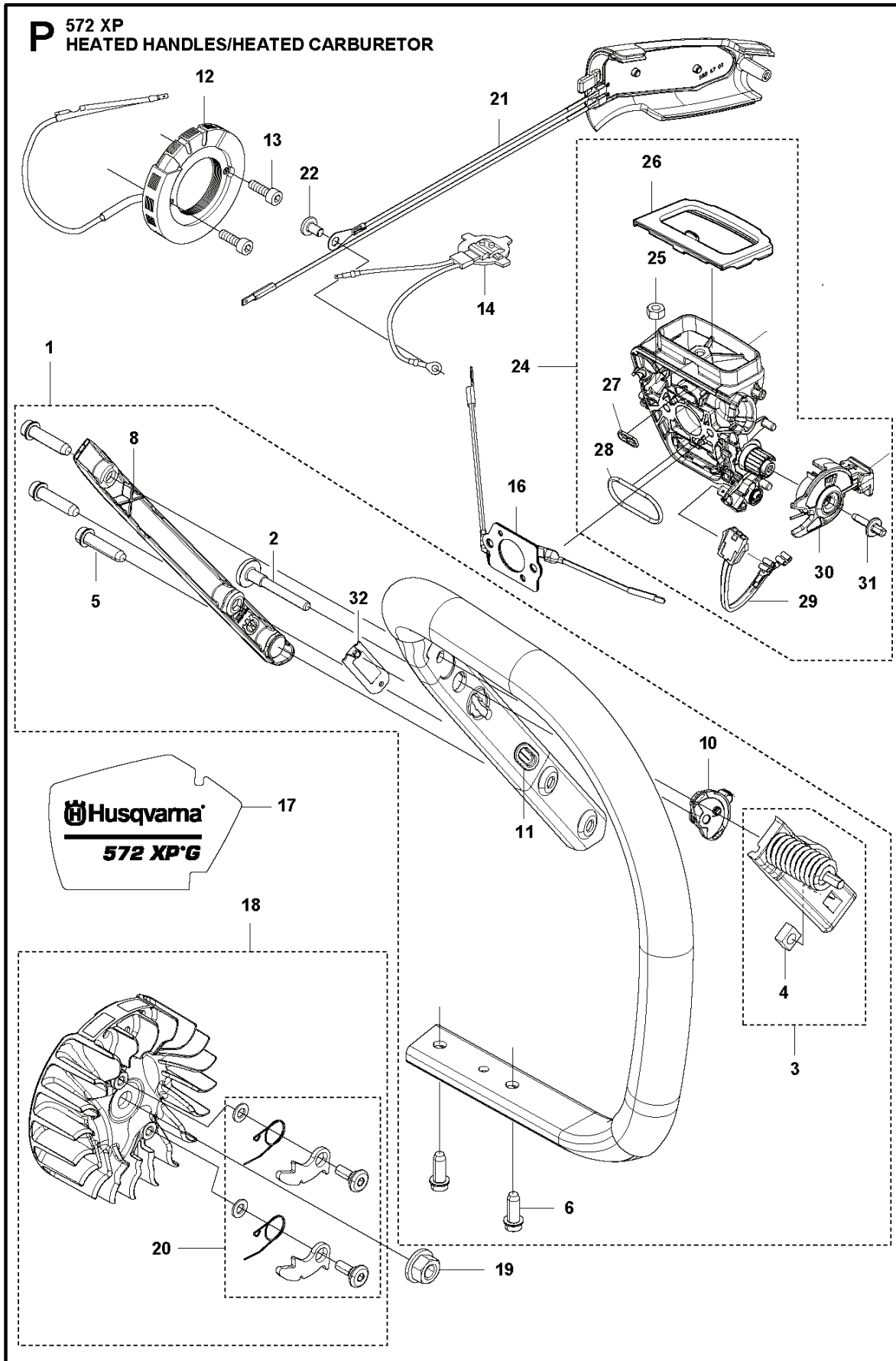
PXM_REF	PXM_PARTNO	DESCRIPTION	PXM_REMARK	QTY.
1	591158301	CARBURETTOR KIT	C1M-140054E	1
2	522518901	KIT	GASKET KIT	1 1
3	590191501	CARBURETTOR	Metering Kit	1 1
4	590191601	CARBURETTOR	Throttle Lever Kit	1 1
6	537383401	SPRING		1 1
7	522517901	ROD		1 1
15	522545101	SCREW		4

A1 572 XP
CHAIN BRAKE



CHAIN SAWS

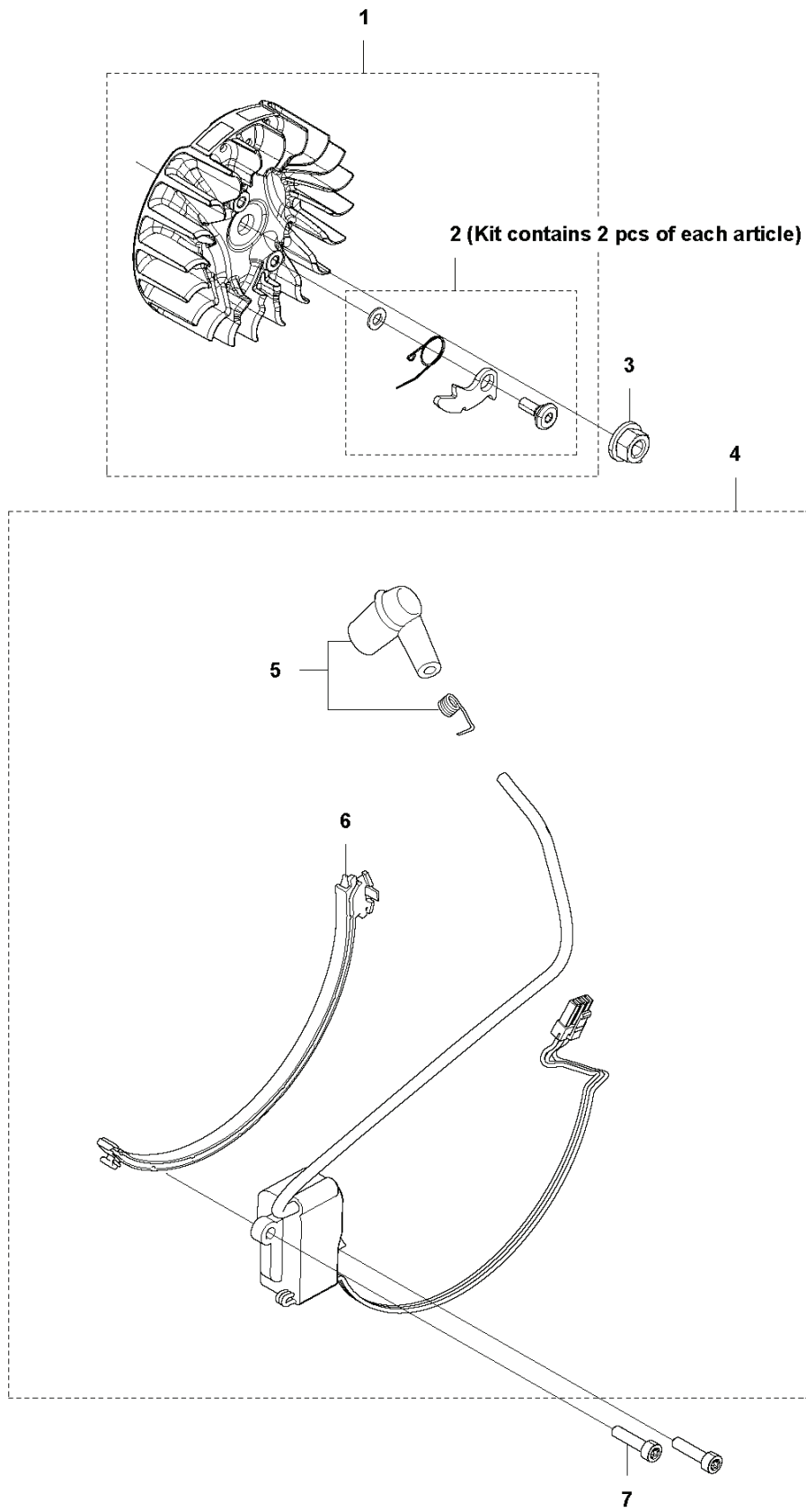
PXM_REF	PXM_PARTNO	DESCRIPTION	PXM_REMARK	QTY.
1	576139602	HAND GUARD		1
2	590105301	SCREW KIT	KIT - Screws and Bushings	1
3	590110201	CHAIN BRAKE		1
4	590105602	KNEE JOINT		1
5	503752202	BRAKE BAND ASSY		1
6	574825601	COVER		1
7	582213301	SCREW		3



CHAIN SAWS

PXM_REF	PXM_PARTNO	DESCRIPTION	PXM_REMARK	QTY.
1	579484302	FRONT HANDLE ASSY		1
2	504064501	SCREW ITXPANM		1
3	589699101	ANTIVIBRATION ELEMENT		1
3	589699102	ANTIVIBRATION ELEMENT	Hard	1
4	503226601	SQUARE NUT		1 3
5	525798103	SCREW ITXSCFT		3 1
6	575885703	SCREW ITXSCFM		2 1
8	582654201	COVER		1 1
10	537252501	CONTACT PLATE		1
11	537088301	GROMMET		1 1
12	590688101	GENERATOR STATOR		1
13	526818102	SCREW ITXSCM		2
14	590688301	THERMOSTAT ASSY		1
16	588168601	FOIL ELEMENT		1
17	575396402	DECAL		1
18	576777202	FLYWHEEL ASSY		1
19	503220401	NUT		1
20	590281301	PAWL	Kit	1
21	589698901	HANDLE INSERT		1
22	526221801	SCREW CITXPANT		1
24	577419006	INLET ELBOW	Heated	1
25	731231401	HEXAGON NUT		1 24
26	589378401	SEALING		1 24
27	525619201	SEALING		1 24
28	525619001	SEALING		1 24
29	577536402	WIRING ASSY		1 24
30	510017202	CHOKE CONTROL ASSY		1 24
31	505156201	SCREW		1 24
32	590469101	PROTECTION		1 1

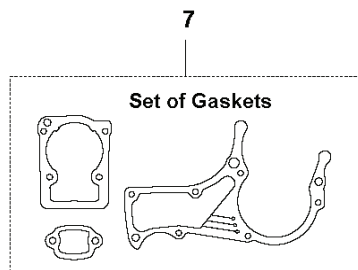
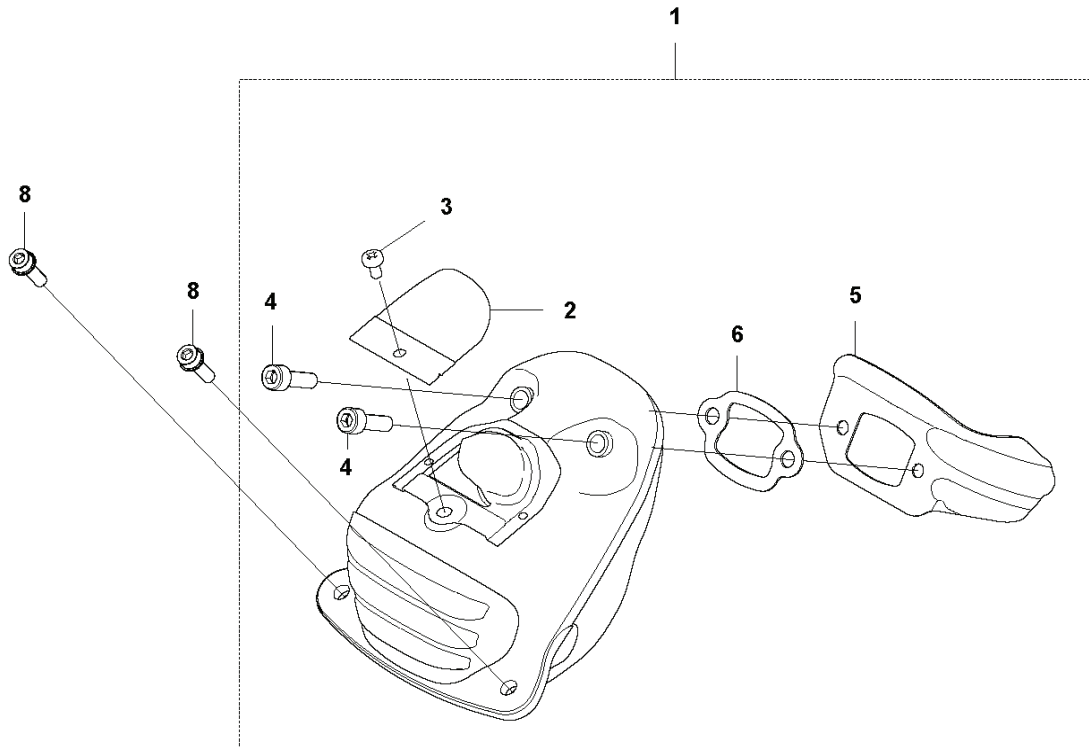
L 572 XP
IGNITION SYSTEM



CHAIN SAWS

PXM_REF	PXM_PARTNO	DESCRIPTION	PXM_REMARK	QTY.
1	576777201	FLYWHEEL ASSY	H572 XP	1
2	590281301	PAWL	Kit	1
3	503220401	NUT		1
4	588193102	IGNITION MODULE ASSY		1
5	590298801	SPARK PLUG CAP		1 4
6	579451801	WIRE HOLDER		1 4
7	525824902	SCREW ITXSCM		2

F 572 XP
MUFFLER

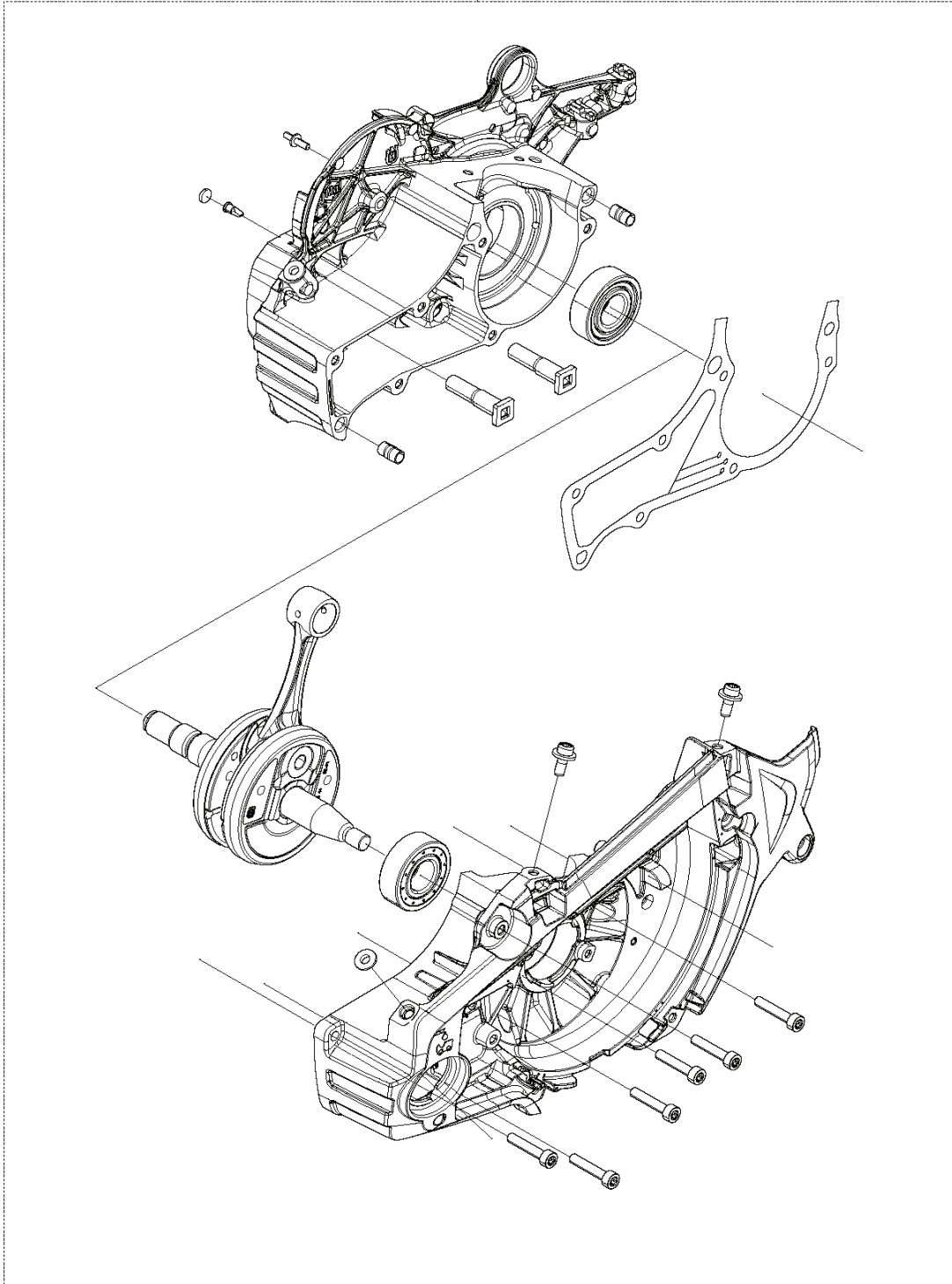


CHAIN SAWS

PXM_REF	PXM_PARTNO	DESCRIPTION	PXM_REMARK	QTY.
1	587217801	MUFFLER KIT		1
2	585390001	SPARK ARRESTER		1 1
3	724128759	SCREW CRPANM		1 1
4	525825106	SCREW ITXSCM		2 1
5	587351001	HEAT DEFLECTOR		1 1
6	587350901	GASKET		1 1.7
7	578864701	GASKET KIT		1
8	525762503	SCREW ITXSCM		2

H2 572 XP CRANKCASE SHORT BLOCK

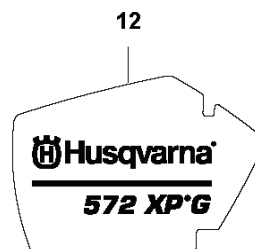
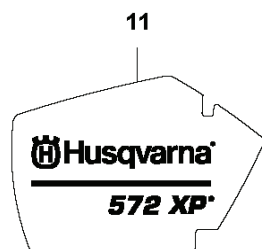
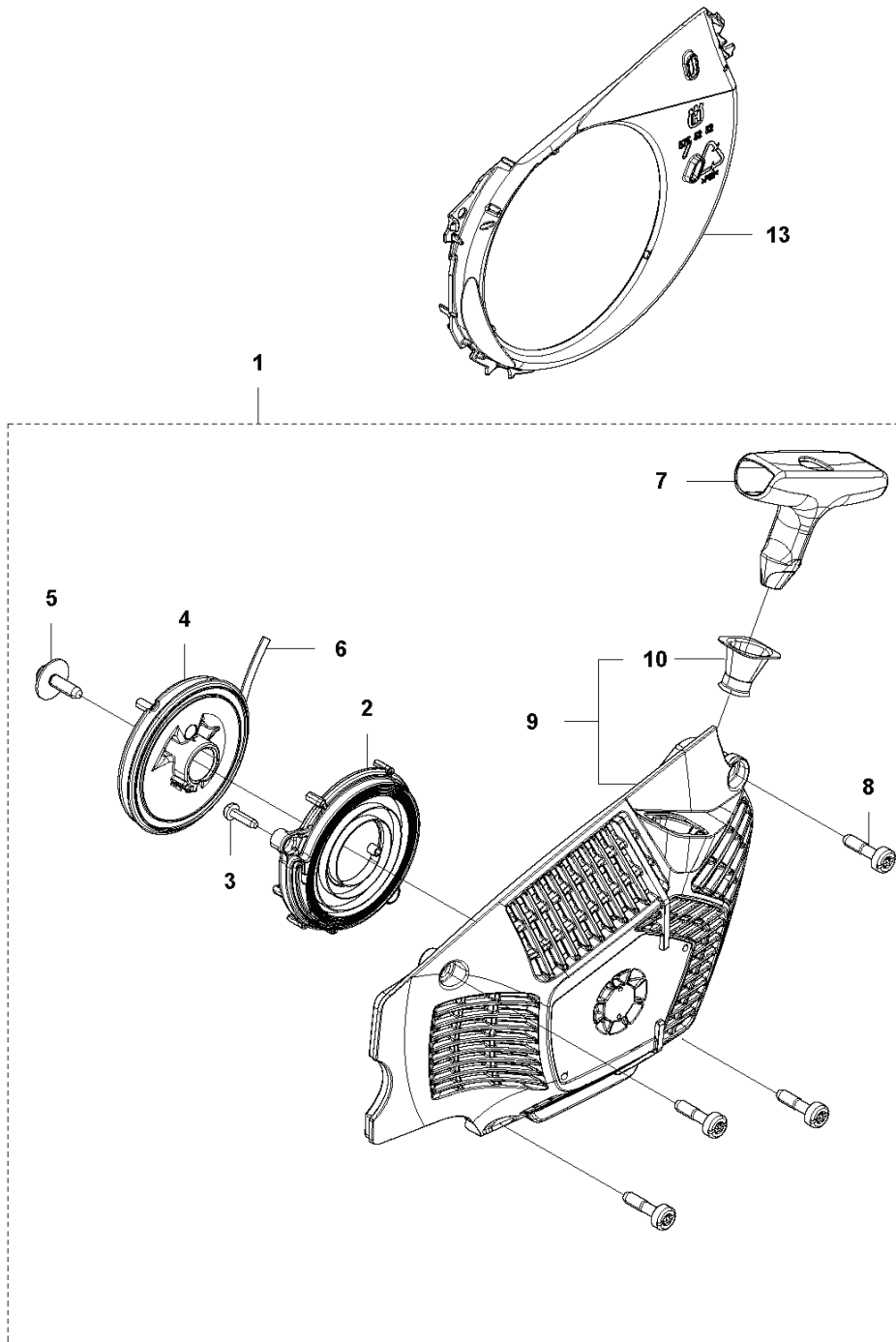
1



CHAIN SAWS

PXM_REF	PXM_PARTNO	DESCRIPTION	PXM_REMARK	QTY.
1	582752003	SHORT BLOCK		1

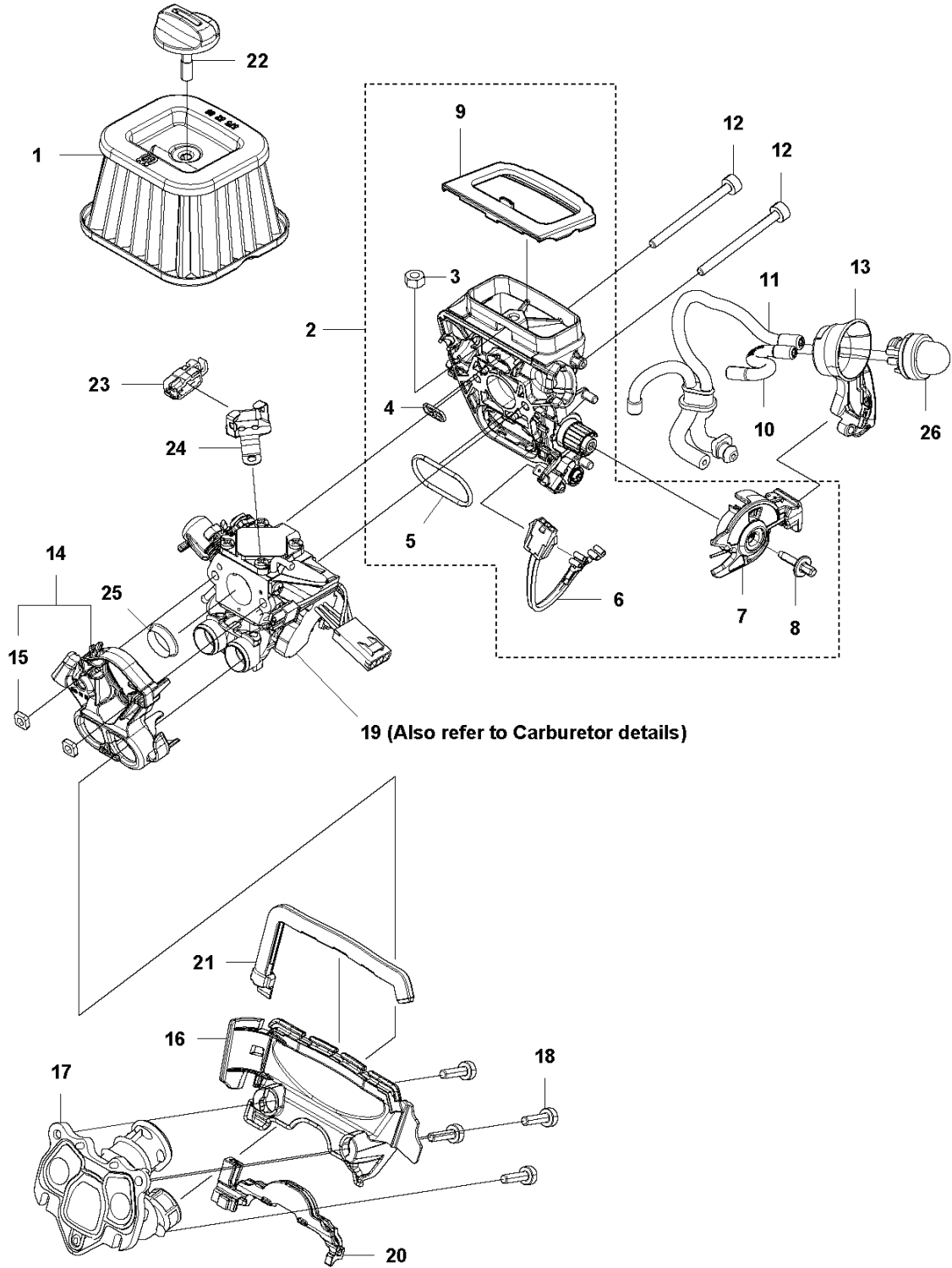
M 572 XP
STARTER



CHAIN SAWS

PXM_REF	PXM_PARTNO	DESCRIPTION	PXM_REMARK	QTY.
1	575527604	STARTER HOUSING		1
2	505157902	SPRING CASSETTE ASSY		1
3	525887401	SCREW CITXPANT		2
4	505158101	STARTER PULLEY ASSY		1
5	576356601	SCREW ITXSCT		1
6	505305125	STARTER ROPE		1
7	537232501	STARTER HANDLE		1
8	525824501	SCREW CITXPANMO		4
9	575525802	STARTER HOUSING		1
10	537283201	SLEEVE		1
11	575396401	DECAL	H572 XP	1
12	575396402	DECAL	H572 XPG	1
13	575525201	BAFFLE		1

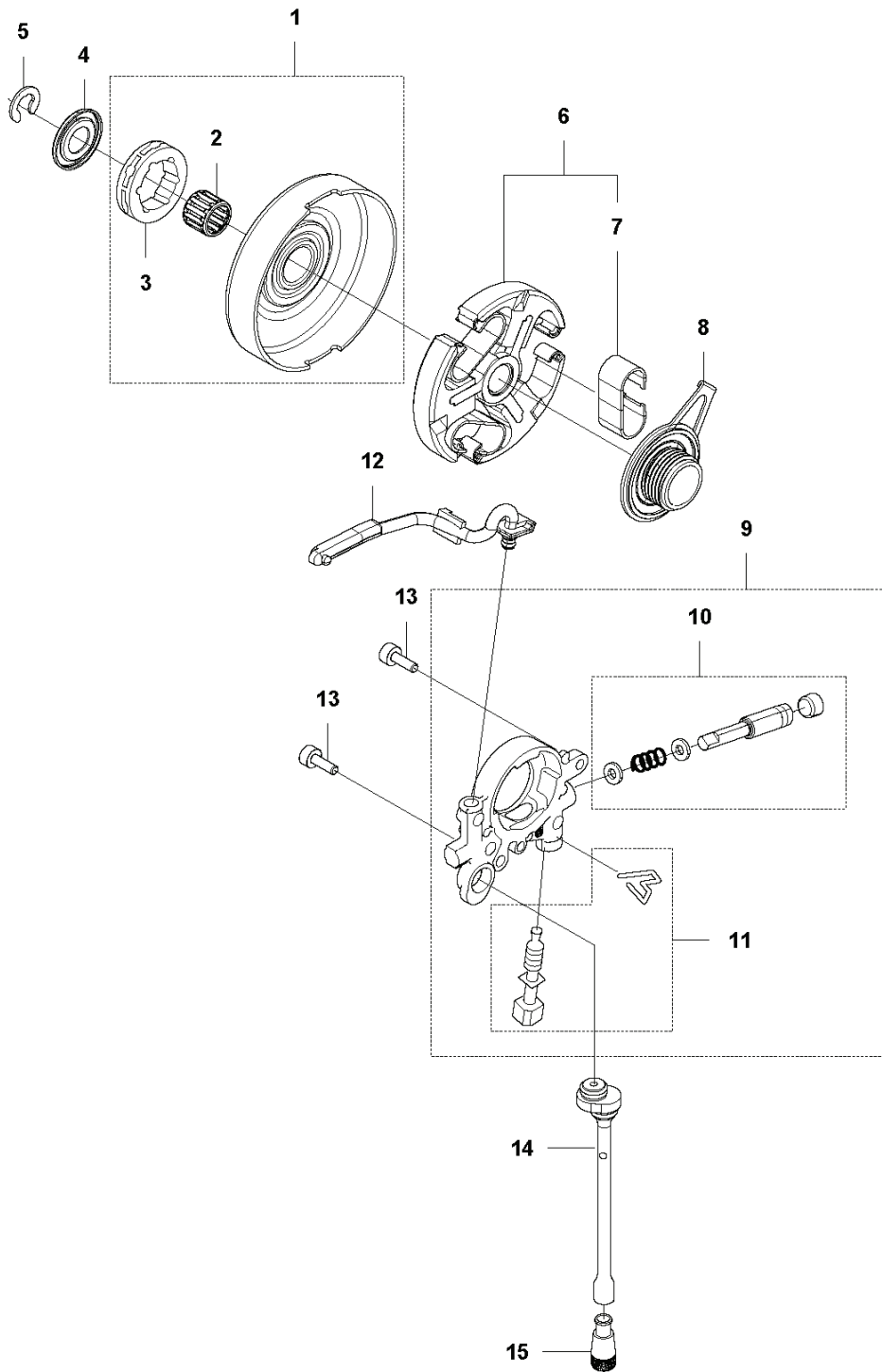
G1 572 XP
CARBURETOR & AIRFILTER



CHAIN SAWS

PXM_REF	PXM_PARTNO	DESCRIPTION	PXM_REMARK	QTY.	
1	596762301	AIR FILTER	HD Non Woven Nature	1	
1	596762302	AIR FILTER	HD 25 µm Yellow	1	
1	596762303	AIR FILTER	HD 64 µm Black	1	
2	577419005	INLET ELBOW	Std	1	
2	577419006	INLET ELBOW	Heated	1	
3	731231401	HEXAGON NUT		1	2
4	525619201	SEALING		1	2
5	525619001	SEALING		1	2
6	577536402	WIRING ASSY		1	2
7	510017202	CHOKE CONTROL ASSY		1	2
8	505156201	SCREW		1	2
9	589378401	SEALING		1	2
10	523056801	FUEL HOSE		1	
11	525344303	FUEL HOSE		1	
12	581143101	SCREW ITXSCFM		2	
13	525588101	SEALING		1	
14	505165202	FLANGE		1	
15	503226503	SQUARE NUT		2	14
16	501182001	BAFFLE		1	
17	575235301	INLET PIPE	Std	1	
17	575235302	INLET PIPE	For extrem cold conditions.	1	
18	526818101	SCREW ITXSCM		4	
19	591158301	CARBURETTOR KIT	C1M-140054E	1	
20	582179501	SEALING		1	
21	590059501	SEALING		1	
22	537213205	KNOB		1	
23	589340701	CONTACT CLAMP		1	
24	589340601	RETAINER		1	
25	582025101	SUPPORT SLEEVE		1	
26	503936601	PURGE		1	

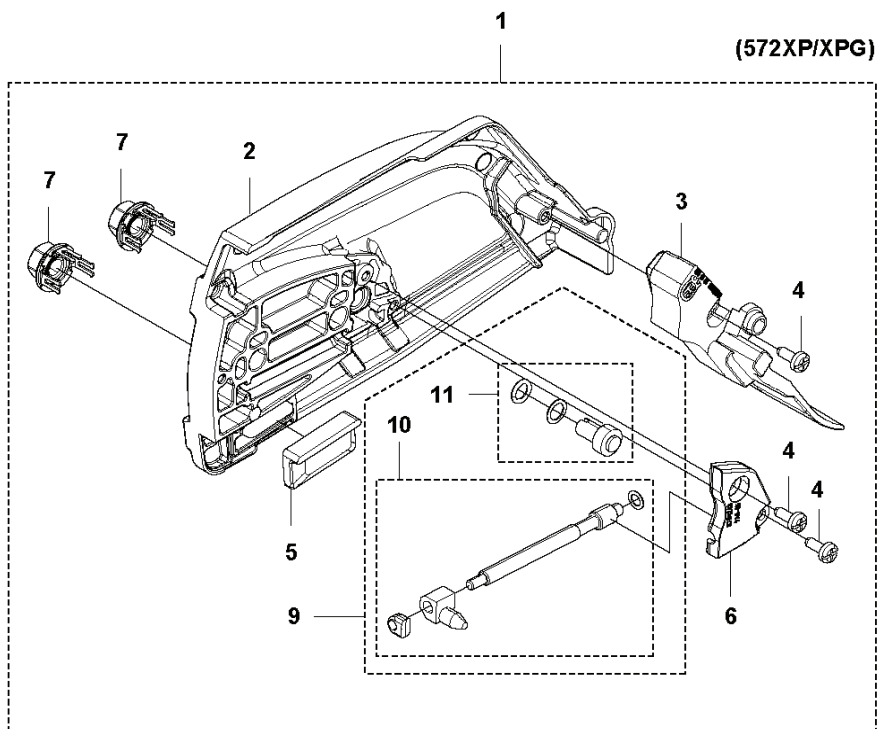
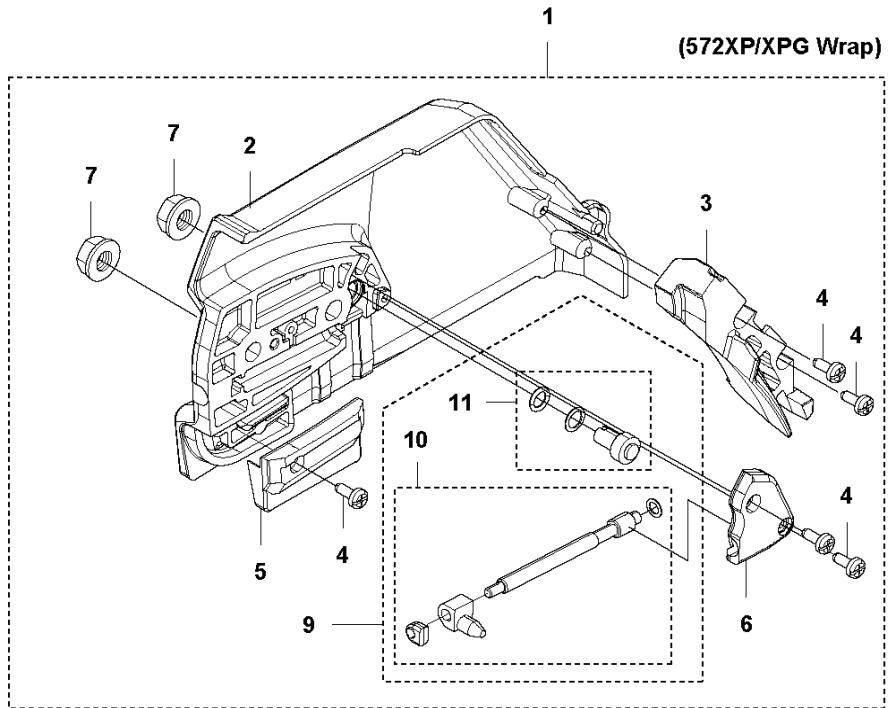
B 572 XP
CLUTCH & OIL PUMP



CHAIN SAWS

PXM_REF	PXM_PARTNO	DESCRIPTION	PXM_REMARK	QTY.
1	577603801	CLUTCH DRUM ASSY		1
2	503432001	NEEDLE HOLDER		1 1
3	501598002	RIM		1 1
4	503752401	WASHER		1
5	503272101	E-CLIP		1
6	586798404	CLUTCH ASSY		1
7	537360601	CLUTCH SPRING		3 6
8	582270108	PUMP PINION		1
9	589028403	OIL PUMP ASSY		1
10	590119703	PUMP PISTON		1 9
11	590120101	OIL PUMP		1 9
12	576987401	OIL PRESSURE HOSE		1
13	526818102	SCREW ITXSCM		2
14	588404702	OIL HOSE		1
15	501544102	OIL SCREEN		1

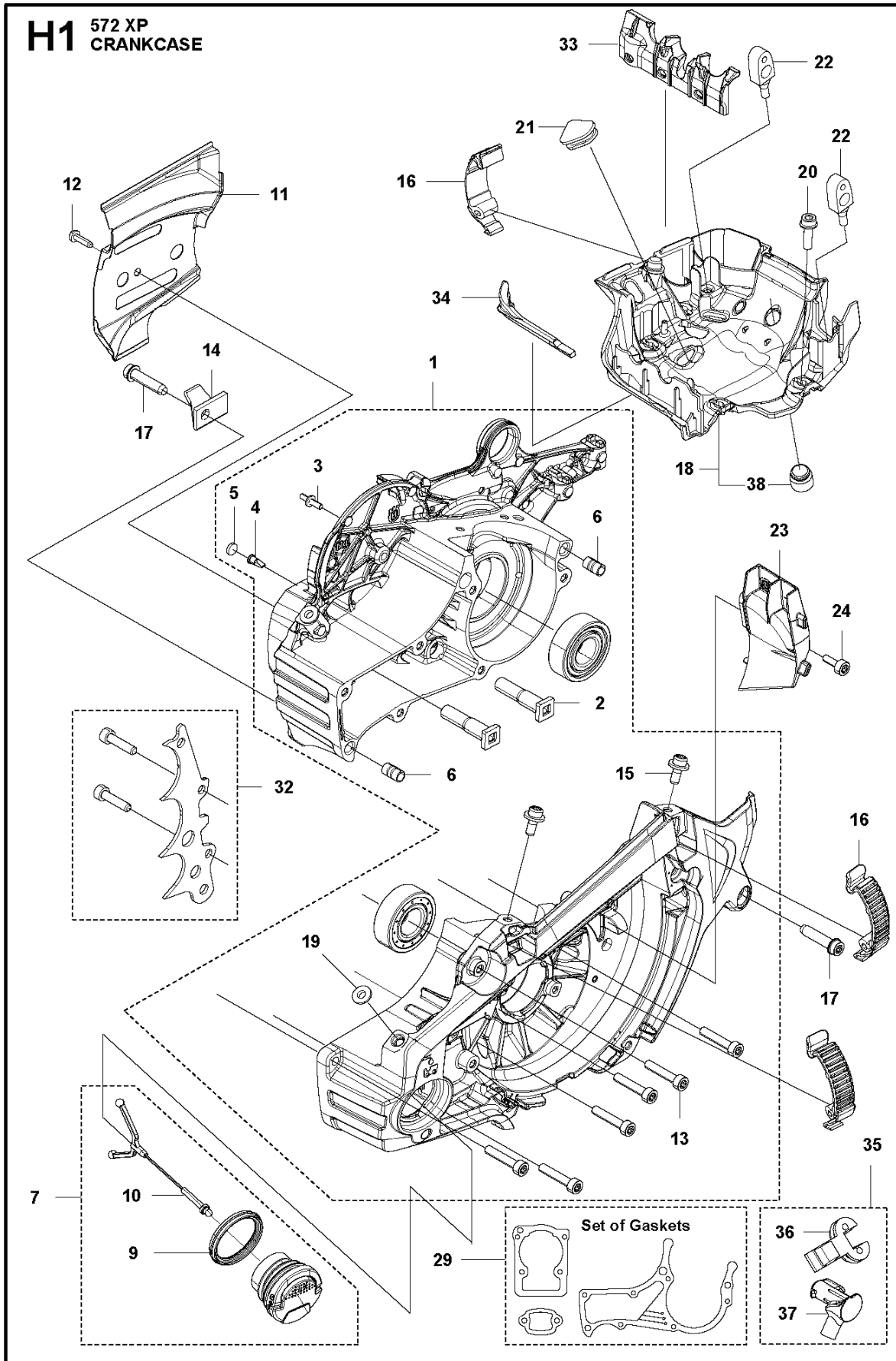
A2 572 XP/XPG
CLUTCH COVER



CHAIN SAWS

PXM_REF	PXM_PARTNO	DESCRIPTION	PXM_REMARK	QTY.	
1	594907802	CLUTCH COVER ASSY	Wrap	1	
1	575235907	CLUTCH COVER ASSY		1	
2	537172604	CLUTCH COVER	Wrap	1	1
2	575236303	CLUTCH COVER		1	1
3	537174101	CHIP GUARD	Wrap	1	1
3	575236401	CHIP GUARD		1	1
4	525887402	SCREW CITXPANT	Wrap	4	1
4	526221801	SCREW CITXPANT		3	1
5	537043401	CHAIN GUIDE	Wrap	1	1
5	501517201	CHAIN GUIDE		1	1
6	537016801	COVER	Wrap	1	1
6	576424301	COVER		1	1
7	503220001	HEXAGON NUT	Wrap	2	1
7	505197301	NUT		2	1
9	590104701	CHAIN TENSIONER KIT		1	1
10	590104801	WORM SCREW		1	1
11	590105101	WORM WHEEL		1	1

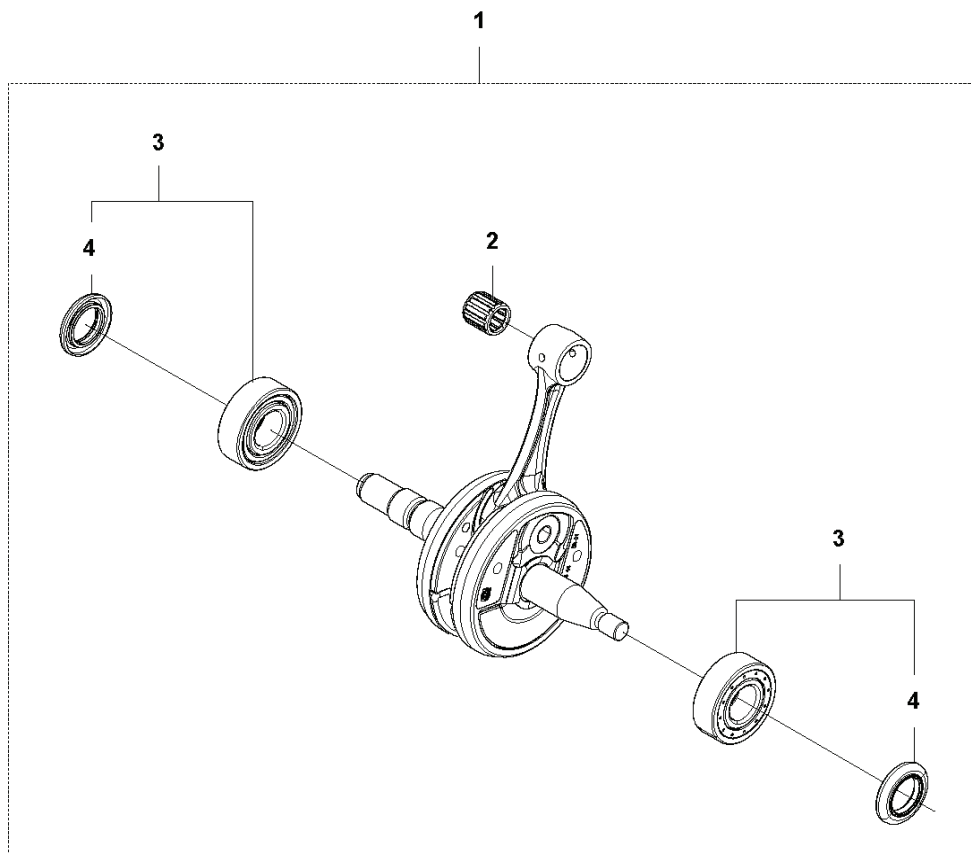
H1 572 XP CRANKCASE



CHAIN SAWS

PXM_REF	PXM_PARTNO	DESCRIPTION	PXM_REMARK	QTY.
1	590195603	CRANKCASE ASSY	572	1
2	537051301	BAR BOLT		2 1
3	537203001	PIN KNEE-JOINT		1 1
4	530026119	CHECK VALVE		1 1
5	537403501	FILTER		1 1
6	593806001	GUIDE BUSHING		2 1
7	522620003	TANK CAP ASSY		1
9	589241101	GASKET		1 7
10	503578901	HOLDER		1 7
11	575616301	CHAIN GUIDE PLATE		1
12	526221801	SCREW CITXPANT		1
13	575841104	SCREW ITXSCM		6
14	537377902	CHAIN CATCHER		1
15	525824401	SCREW ITXSCM		2
16	503894703	SNAP LOCKING		3
17	525798103	SCREW ITXSCFT		2
18	534114101	CARBURETTOR AREA BASE		1
19	583098401	FIXING WASHER		1 1
20	525755202	SCREW ITXSCFM		4
21	581559201	BELLOWS		1
22	597909701	DAMPER	Mounting	2
23	589340502	AIR NOZZLE		1
24	574353505	SCREW ITXSCM		1
29	578864701	GASKET KIT		1
32	590261002	SPIKE	Kit - Inner Std	1
33	582179601	SEALING		1
34	589349001	SEALING		1
35	590261101	GROMMET		1
36	582157101	GROMMET		1 35
37	589527701	GROMMET		1 35
38	501515401	SUPPORT		1 18

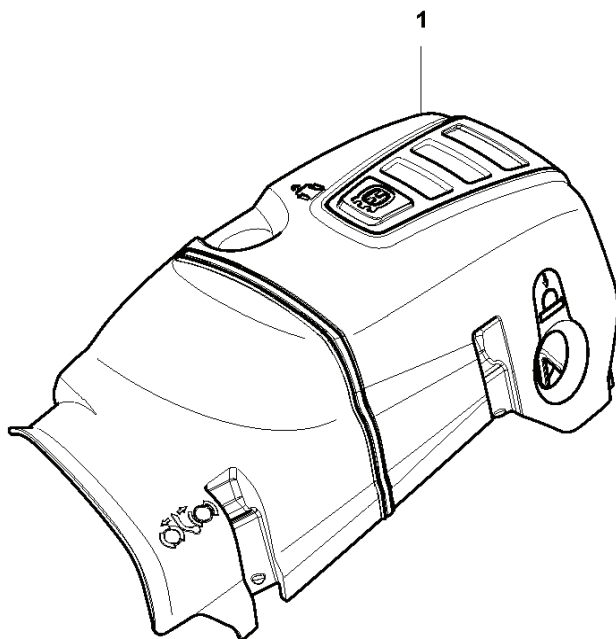
E 572 XP
CRANKSHAFT



CHAIN SAWS

PXM_REF	PXM_PARTNO	DESCRIPTION	PXM_REMARK	QTY.
1	577607401	CRANKSHAFT ASSY		1
2	577572401	NEEDLE BEARING		1 1
3	587293401	BALL BEARING		2 1
4	582812601	RADIAL SEAL		2 3

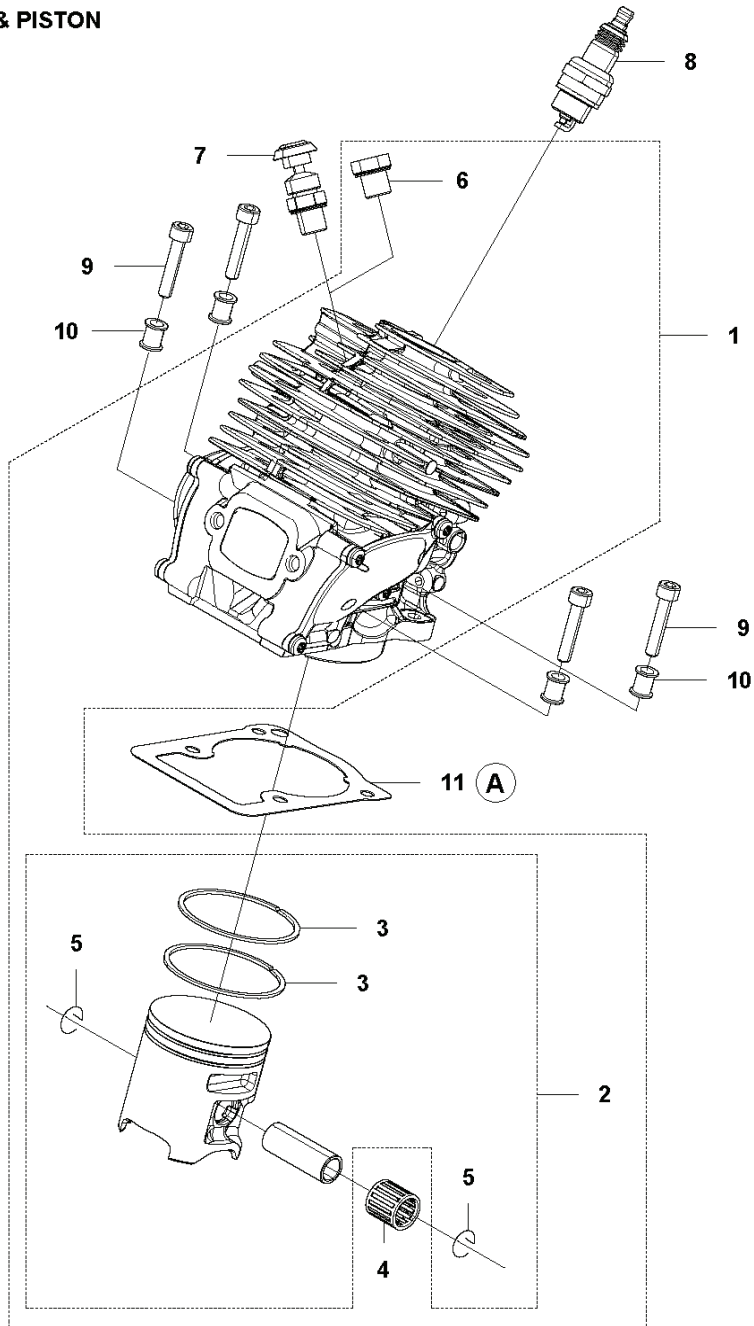
C 572 XP
CYLINDER COVER



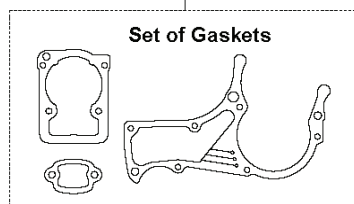
CHAIN SAWS

PXM_REF	PXM_PARTNO	DESCRIPTION	PXM_REMARK	QTY.
1	579798701	CYLINDER COVER		1

D 572 XP
CYLINDER & PISTON



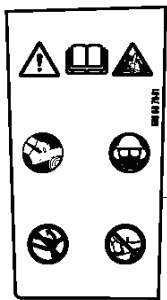
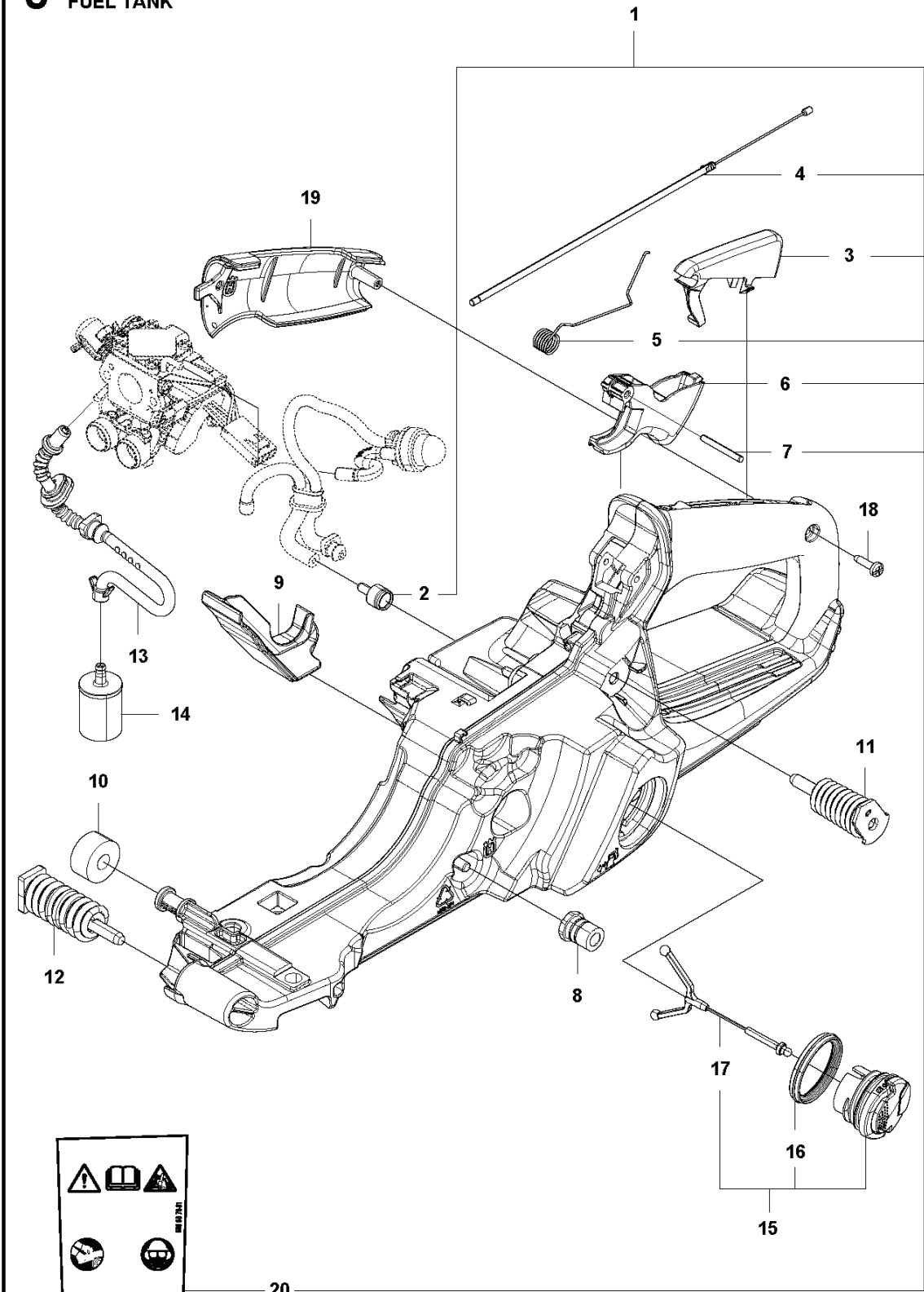
12 A



CHAIN SAWS

PXM_REF	PXM_PARTNO	DESCRIPTION	PXM_REMARK	QTY.
1	590150303	CYLINDER ASSY	572	1
2	576626706	PISTON ASSY		1 1
3	576627401	PISTON RING		2 2
4	577572401	NEEDLE BEARING		1 1
5	737431200	SNAP RING		2 2
6	503552201	PLUG		1 1
7	584288701	DECOMPRESSION VALVE		1
8	503235111	SPARK PLUG		1
9	501811202	SCREW ITXSCM		4
10	589527901	SLEEVE		4
11	577239801	GASKET		1 12
12	578864701	GASKET KIT		1

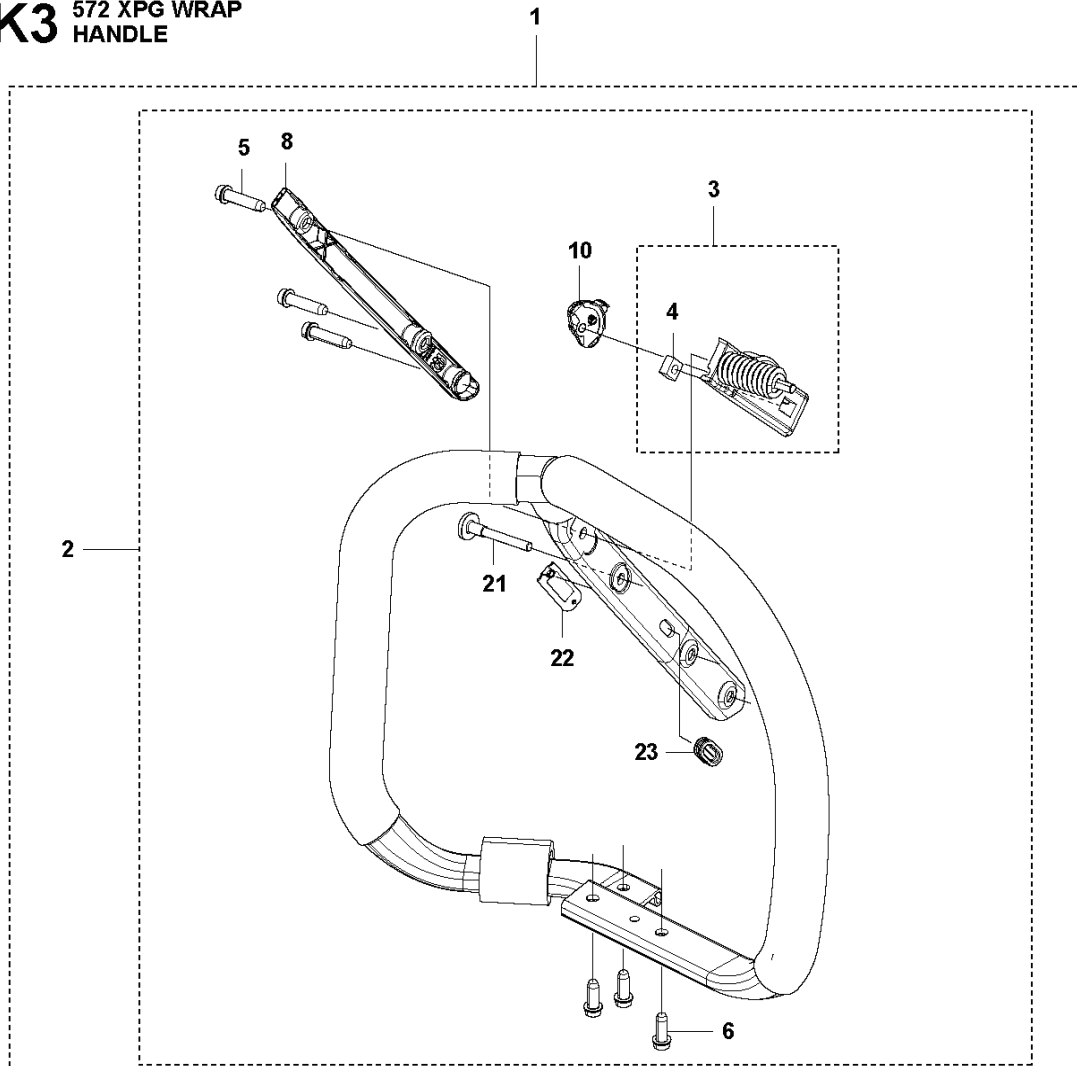
J 572 XP
FUEL TANK



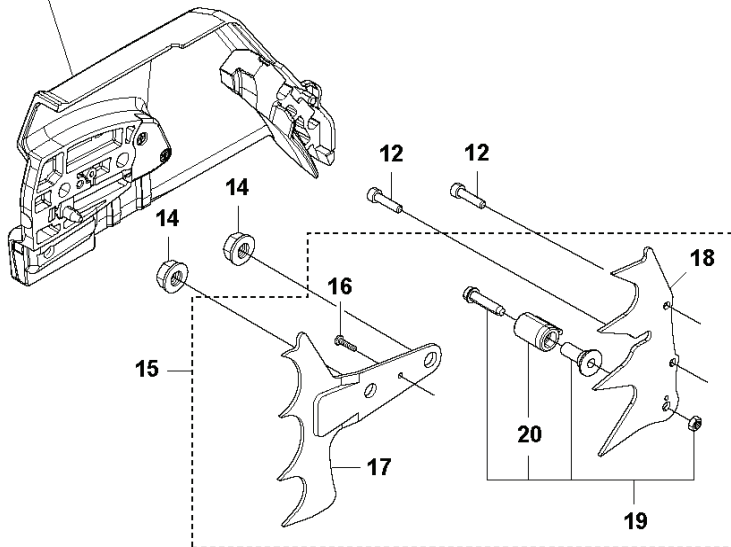
CHAIN SAWS

PXM_REF	PXM_PARTNO	DESCRIPTION	PXM_REMARK	QTY.
1	578200701	FUEL TANK ASSY		1
2	501152901	TANK VENT ASSY		1 1
3	537208401	THROTTLE LOCKOUT		1 1
4	576162802	THROTTLE CABLE ASSY		1 1
5	544099901	SPRING		1 1
6	576956701	THROTTLE		1 1
7	720182520	PARALLEL PIN		1 1
8	501007601	SUPPORT		1
9	575010201	WEAR PROTECTION		1
10	523085501	DEFLECTION LIMITER		1
11	577062702	ANTIVIBRATION ELEMENT		1
11	577062701	ANTIVIBRATION ELEMENT	Hard	1
12	503854104	ANTIVIBRATION ELEMENT		1
12	503854103	ANTIVIBRATION ELEMENT	Hard	1
13	577504101	FUEL HOSE		1
14	503443201	FUEL FILTER	18-40 µm (Blue)	1
14	503443205	FUEL FILTER	18-40 µm (Blue) Mega pack (100 pcs)	1
15	522620003	TANK CAP ASSY		1
16	589241101	GASKET		1 15
17	503578901	HOLDER		1 15
18	525887402	SCREW CITXPANT		1
19	537205601	COVER	H572 XP	1
19	589698901	HANDLE INSERT	H572 XPG	1
20	590567001	DECAL		1 1

K3 572 XPG WRAP
HANDLE



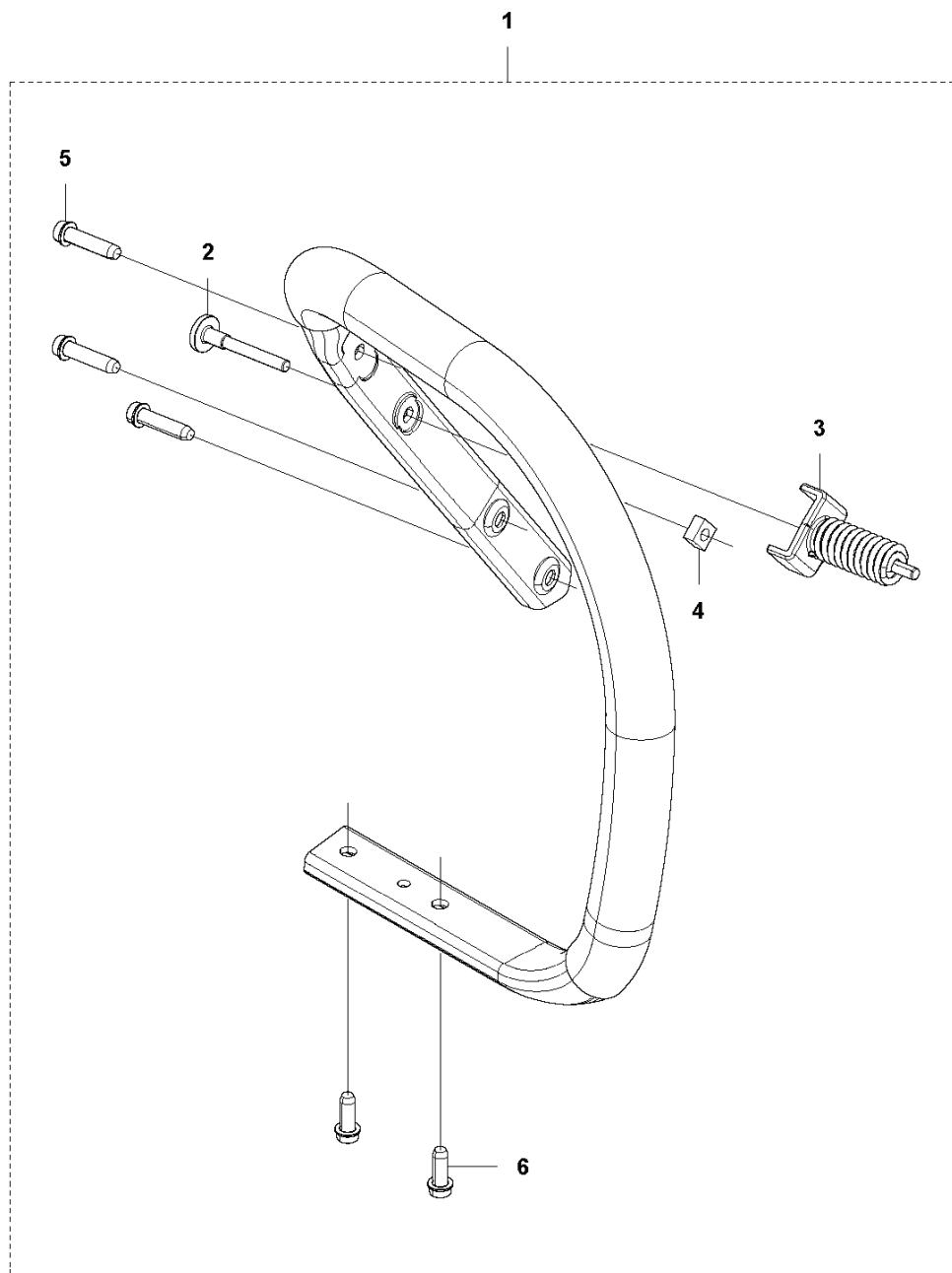
13 (For individual parts refer to Clutch Cover)



CHAIN SAWS

PXM_REF	PXM_PARTNO	DESCRIPTION	PXM_REMARK	QTY.	
1	579504003	FRONT HANDLE ASSY	Wrap	1	
2	579504002	FRONT HANDLE ASSY		1	1
3	589699101	ANTIVIBRATION ELEMENT		1	2
3	589699102	ANTIVIBRATION ELEMENT	Hard	1	
4	503226601	SQUARE NUT		1	3
5	525798103	SCREW ITXSCFT		3	2
6	575885703	SCREW ITXSCFM		3	2
8	582654201	COVER		1	2
10	537252501	CONTACT PLATE		1	2
12	525824902	SCREW ITXSCM		1	1
13	537331007	CLUTCH COVER ASSY		1	1
14	503220001	HEXAGON NUT		1	1
15	589772101	SPIKE	Kit	1	
16	525887402	SCREW CITXPANT		1	15
17	503922701	SPIKE		1	15
18	537017201	SPIKE		1	15
19	589771301	CHAIN CATCHER		1	15
20	537024401	WEAR PROTECTION		1	19
21	504064501	SCREW ITXPANM		1	1,2
22	590469101	PROTECTION		1	2
23	537088301	GROMMET		1	2

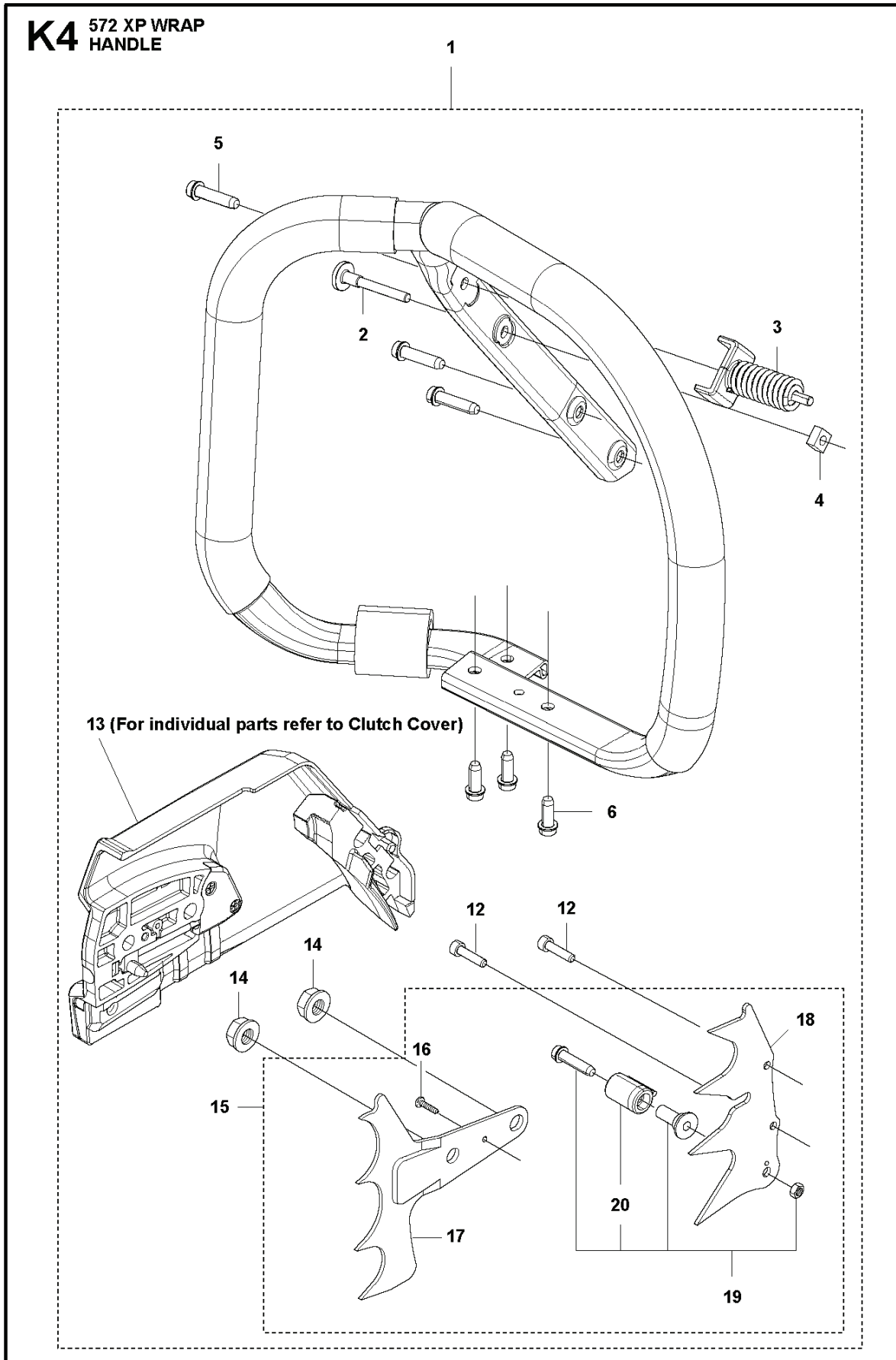
K1 572 XP
HANDLE



CHAIN SAWS

PXM_REF	PXM_PARTNO	DESCRIPTION	PXM_REMARK	QTY.	
1	579484303	FRONT HANDLE ASSY		1	
2	504064501	SCREW ITXPANM		1	1
3	575015301	ANTIVIBRATION ELEMENT		1	1
3	575015303	ANTIVIBRATION ELEMENT	Hard	0	
4	503226601	SQUARE NUT		1	1
5	525798103	SCREW ITXSCFT		3	1
6	575885703	SCREW ITXSCFM		2	1

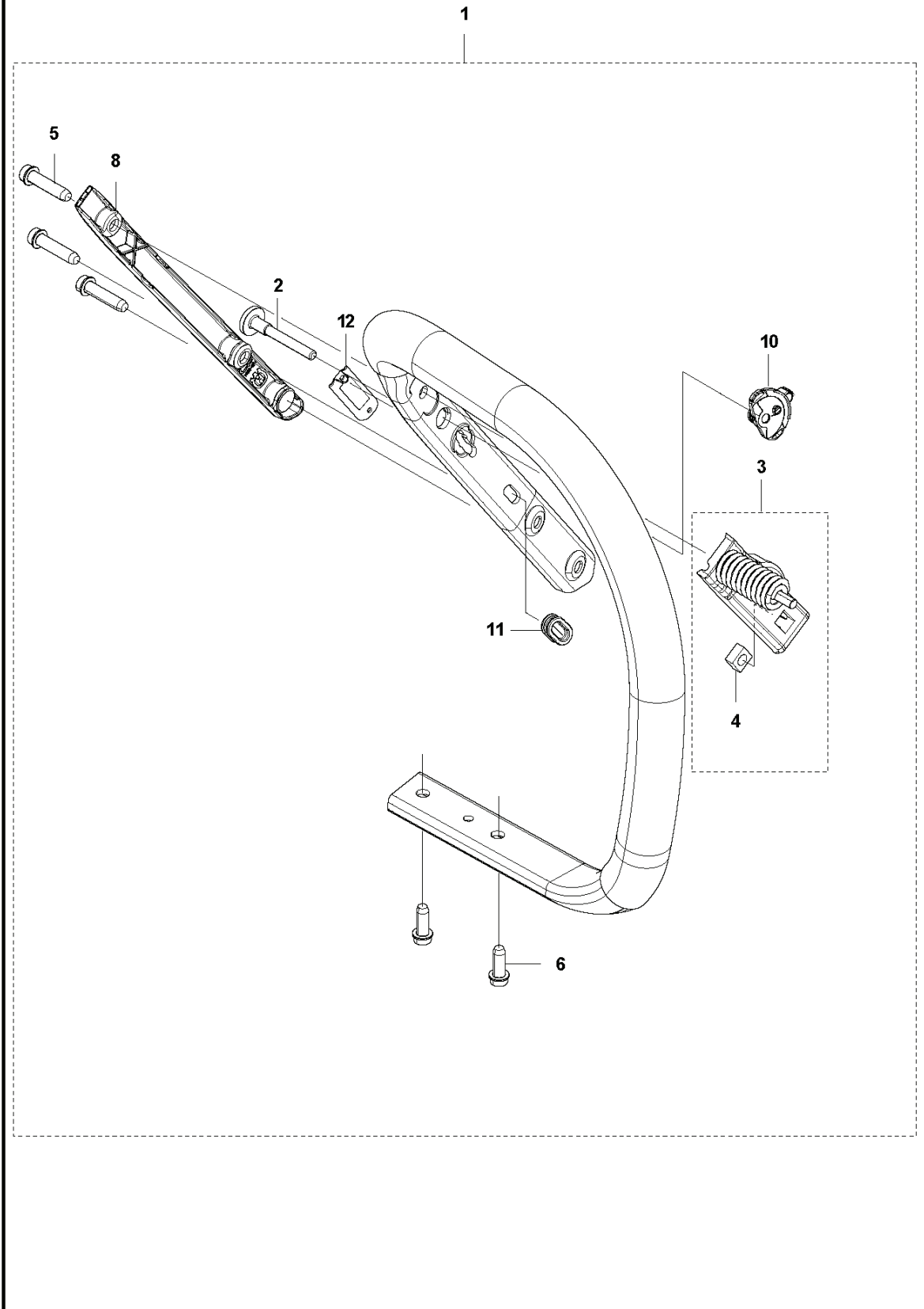
K4 572 XP WRAP
HANDLE



CHAIN SAWS

PXM_REF	PXM_PARTNO	DESCRIPTION	PXM_REMARK	QTY.
1	579504001	FRONT HANDLE ASSY		1
2	504064501	SCREW ITXPANM		1 1
3	575015301	ANTIVIBRATION ELEMENT		0 1
3	575015303	ANTIVIBRATION ELEMENT	Hard	1
4	503226601	SQUARE NUT		1 1
5	525798103	SCREW ITXSCFT		3 1
6	575885703	SCREW ITXSCFM		3 1
12	525824902	SCREW ITXSCM		2 1
13	537331007	CLUTCH COVER ASSY		1 1
14	503220001	HEXAGON NUT		2 1
15	589772101	SPIKE	Kit	1 1
16	525887402	SCREW CITXPANT		1 15
17	503922701	SPIKE		1 15
18	537017201	SPIKE		1 19
19	589771301	CHAIN CATCHER		1 15
20	537024401	WEAR PROTECTION		1

K2 572 XPG HANDLE



CHAIN SAWS

PXM_REF	PXM_PARTNO	DESCRIPTION	PXM_REMARK	QTY.	
1	579484302	FRONT HANDLE ASSY		1	
2	504064501	SCREW ITXPANM		1	1
3	589699101	ANTIVIBRATION ELEMENT		1	1
3	589699102	ANTIVIBRATION ELEMENT	Hard	1	
4	503226601	SQUARE NUT		1	1.3
5	525798103	SCREW ITXSCFT		3	1
6	575885703	SCREW ITXSCFM		2	1
8	582654201	COVER		1	1
10	537252501	CONTACT PLATE		1	1
11	537088301	GROMMET		1	1
12	590469101	PROTECTION		1	1