

# **HUSQVARNA - SPARE PARTS CATALOGUE**

## **CHAIN SAWS: HUSQVARNA 562 XP®**

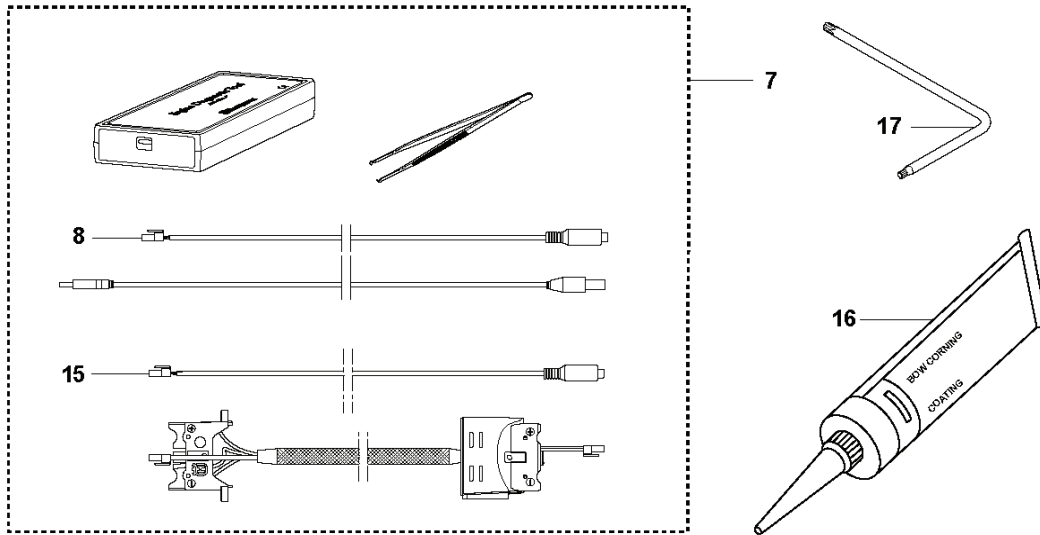
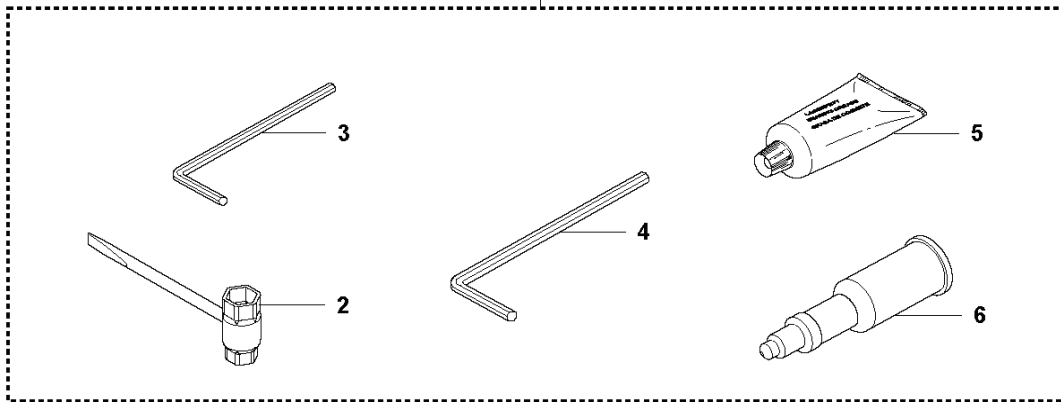
Spare parts list

# **SPARE PARTS LIST**

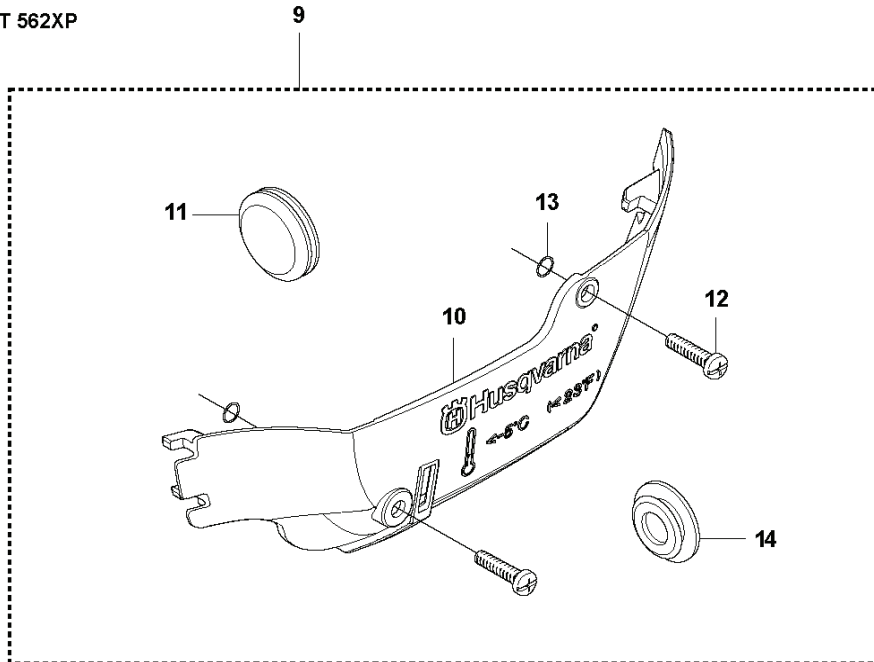
CHAIN SAWS

HUSQVARNA 562 XP®

**P** 562XP  
ACCESSORIES



WINTER KIT 562XP

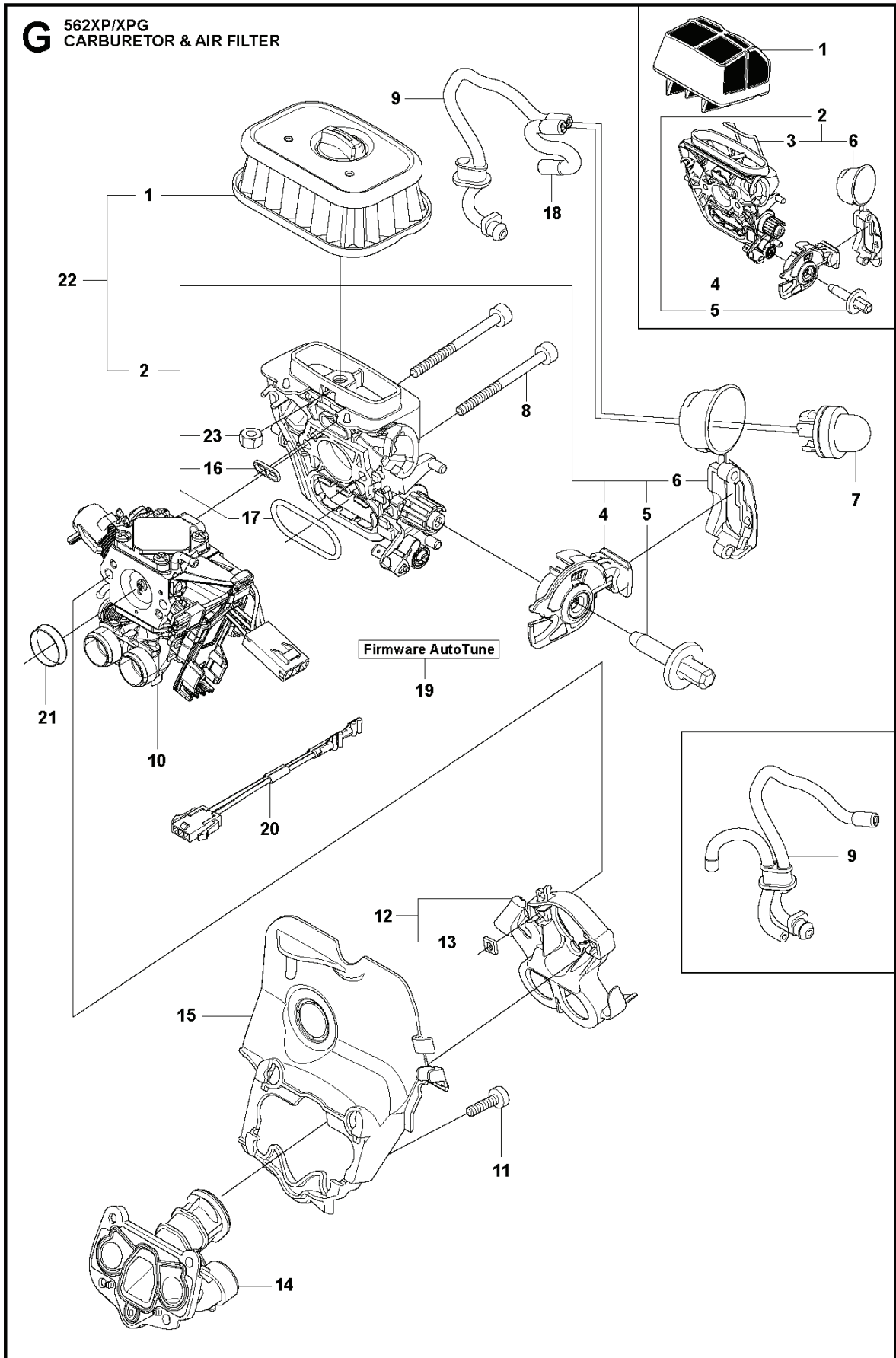


## CHAIN SAWS

---

PXM_REF	PXM_PARTNO	DESCRIPTION	PXM_REMARK	QTY.
1	575439201	TOOL		1
2	522521101	COMBINATION WRENCH		1 1
3	503558601	SPANNER		1 1
4	503558602	SPANNER		1 1
5	503621201	GREASE		1 1
6	501911401	GREASE GUN		1 1
7	583897101	DIAGNOSTIC TOOL KIT		1
8	576183401	CABLE ASSY	Diagnostics cable 14 Mhz	1 7
9	522986502	WINTER KIT		1
10	505166101	WINTER COVER		1 9
11	503405901	WINTER PLUG		1 9
12	503217016	SCREW CCRPANT		2 9
13	740420100	O-RING		2 9
14	578125501	WINTER PLUG		1 9
15	576952201	CABLE ASSY	Diagnostics cable 8 MHz	1 7
16	503267201	GLUE		1
17	575880701	WRENCH		1

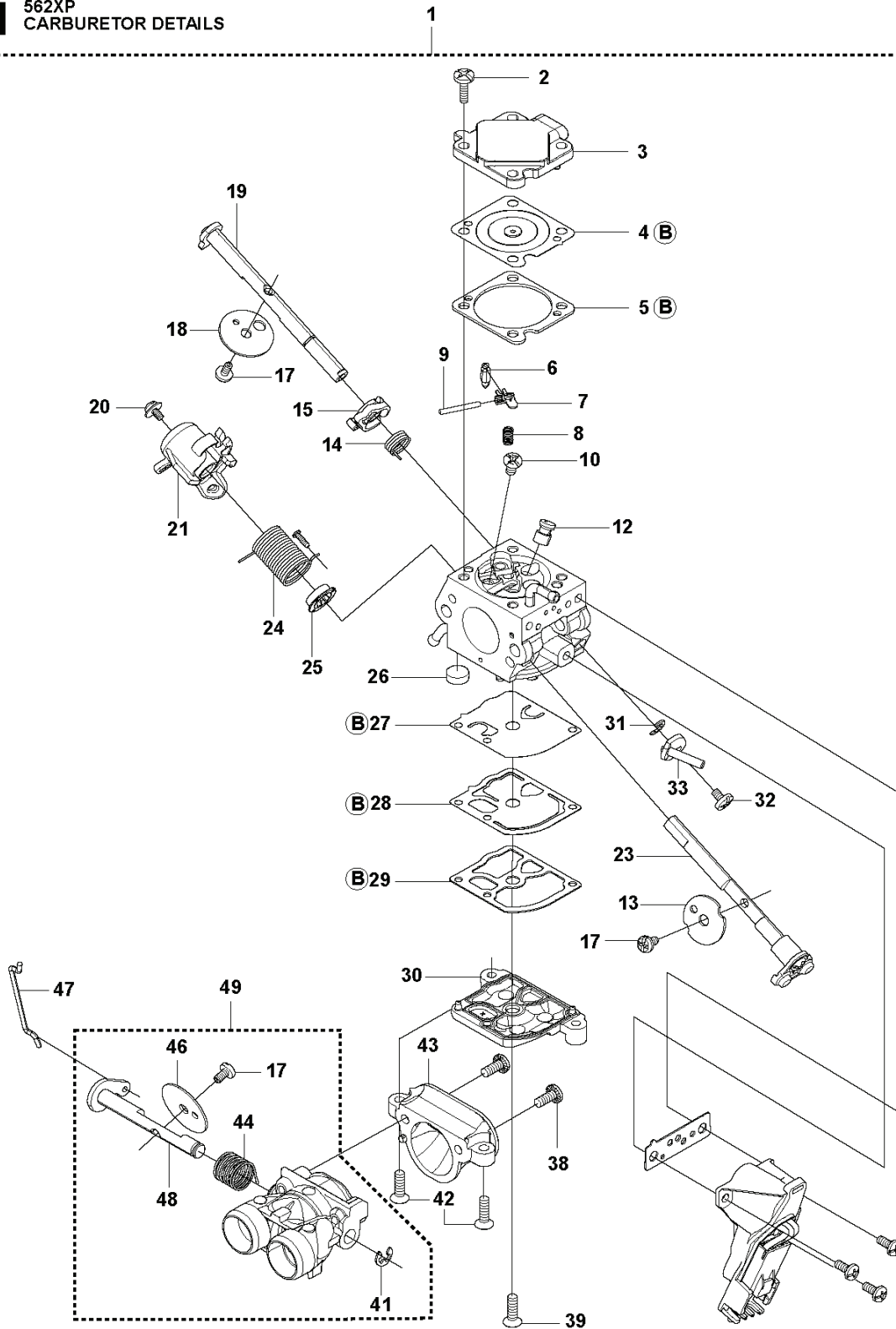
**G** 562XP/XPG  
CARBURETOR & AIR FILTER



## CHAIN SAWS

PXM_REF	PXM_PARTNO	DESCRIPTION	PXM_REMARK	QTY.	
1	590458803	AIR FILTER ASSY	Non Woven Nature s/n from 20202600073 -	1	
1	590458801	AIR FILTER	NYLON 64 µm Black s/n from 20202600073 -	1	
1	590458802	AIR FILTER	NYLON 25 µm Yellow s/n from 20202600073 -	1	22
1	522675002	AIR FILTER ASSY	NYLON 44 µm Yellow s/n up to - 20202600072	1	
1	522675001	AIR FILTER ASSY	NYLON 80 µm Black s/n up to - 20202600072	1	
1	522675003	AIR FILTER ASSY	FELT White s/n up to - 20202600072	1	
1	522675004	AIR FILTER ASSY	NYLON 25 µm Orange s/n up to - 20202600072	1	
2	597275501	FILTER HOLDER ASSY	XP s/n from 20202600073 -	1	22
2	597275502	FILTER HOLDER ASSY	XPG s/n from 20202600073 -	1	22
2	525397905	FILTER HOLDER ASSY	XP s/n up to - 20202600072	1	
2	525397906	FILTER HOLDER ASSY	XPG s/n up to - 20202600072	1	
3	505176901	SHACKLE	s/n up to - 20202600072	1	2
4	510017202	CHOKE CONTROL ASSY		1	2,22
5	505156201	SCREW		1	2,22
6	525588101	SEALING		1	2,22
7	503936601	PURGE		1	
8	574353503	SCREW ITXSCM		2	
9	587645404	VENTILATING HOSE	s/n from 20154800001	1	9
9	589357101	VENTILATING HOSE	s/n up to - 20154799999	1	
9	525344303	FUEL HOSE	XP s/n from 20173800688	1	
10	501463305	CARBURETTOR KIT	ZAMA140058A	1	
10	579194101	CARBURETTOR	s/n up to - 20121401172 (ZAMA EL44)	1	
11	526818101	SCREW ITXSCM		4	
12	505165202	FLANGE		1	
13	503226503	SQUARE NUT		2	12
14	583964103	INLET PIPE		1	
14	583964104	INLET PIPE	Cold resistant	1	
15	520290901	INTERMEDIATE WALL		1	
16	525619201	SEALING		1	2,22
17	525619001	SEALING		1	2,22
18	523056801	FUEL HOSE		1	
19	.	TBD	Download from your local supportsite	0	
20	577536401	WIRING ASSY	s/n from 20121401173 -	1	
21	582025101	SUPPORT SLEEVE		1	
22	598934502	FILTER UNIT	XPG	1	
22	598934501	FILTER UNIT	XP	1	
23	731231401	HEXAGON NUT	s/n from 20202600073 -	1	2,22

**N** 562XP  
CARBURETOR DETAILS



**(B)** Set of gaskets — 50

Firmware Auto Tune

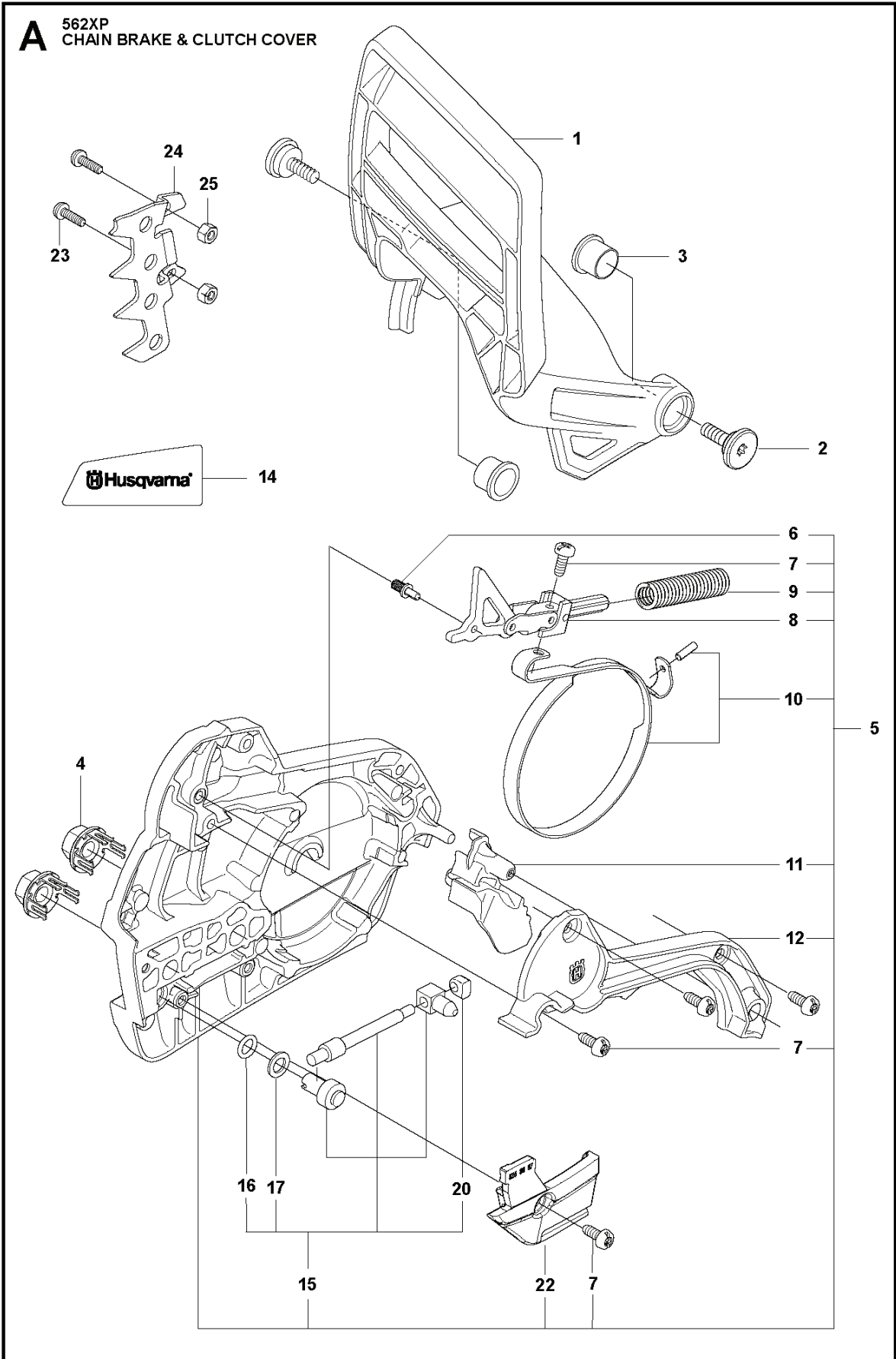
52

CHAIN SAWS

PXM_REF	PXM_PARTNO	DESCRIPTION	PXM_REMARK	QTY.	
1	579194101	CARBURETTOR	s/n up to - 20121401172 (ZAMA EL44)	1	
1	501463305	CARBURETTOR KIT	ZAMA140055A	1	
2	522545101	SCREW		4	1
3	522517201	COVER		1	1
4	522517401	DIAPHRAGM		1	1,50
5	522517501	GASKET		1	1,50
6	503479701	VALVE		1	1
7	503665901	LEVER		1	1
8	537383401	SPRING		1	1
9	503480001	PIN RETAINING SCREW		1	1
10	503480101	SCREW		1	1
12	576414201	MAIN NOZZLE		1	1
13	523077201	VALVE	s/n up to - 20121401172 (ZAMA EL44)	1	1
13	578176201	THROTTLE VALVE	s/n 20121401173 - 20141399999 (ZAMA EL46)	1	
13	583974701	THROTTLE VALVE	s/n from 2014140001 - (ZAMA EL48/140055A)	1	
14	522518701	SPRING		1	1
15	522517701	LEVER		1	1
17	503481801	SCREW		3	1
18	504627701	CHOKE VALVE		1	1
19	522518301	SHAFT ASSY		1	1
20	502078401	SCREW		1	1
21	522517801	THROTTLE LEVER		1	1
23	522518501	THROTTLE SHAFT		1	1
24	502078701	SPRING		1	1
25	502079801	COLLAR		1	1
26	503535701	STRAINER		1	1
27	537383101	DIAPHRAGM PUMP		1	1,50
28	537403301	DIAPHRAGM		1	1,50
29	537020101	GASKET		1	1,50
30	575544301	COVER		1	1
31	504026701	CIRCLIP		1	1
32	503479001	SCREW		1	1
33	522517601	CHOKE LEVER		1	1
38	506396601	SCREW		5	1
39	522518101	SCREW		1	1
41	537385201	CLIP		1	1
42	522518001	SCREW		2	1
43	575544401	INLET		1	1
44	522518601	SPRING		1	1
46	537177001	VALVE		1	1
47	522517901	ROD		1	1
48	522518201	SHAFT ASSY		1	1
49	578227801	THROTTLE VALVE ASSY		1	1
50	522518901	KIT	B=set of gaskets	1	
52	.	TBD	Download from your local supportsite	0	



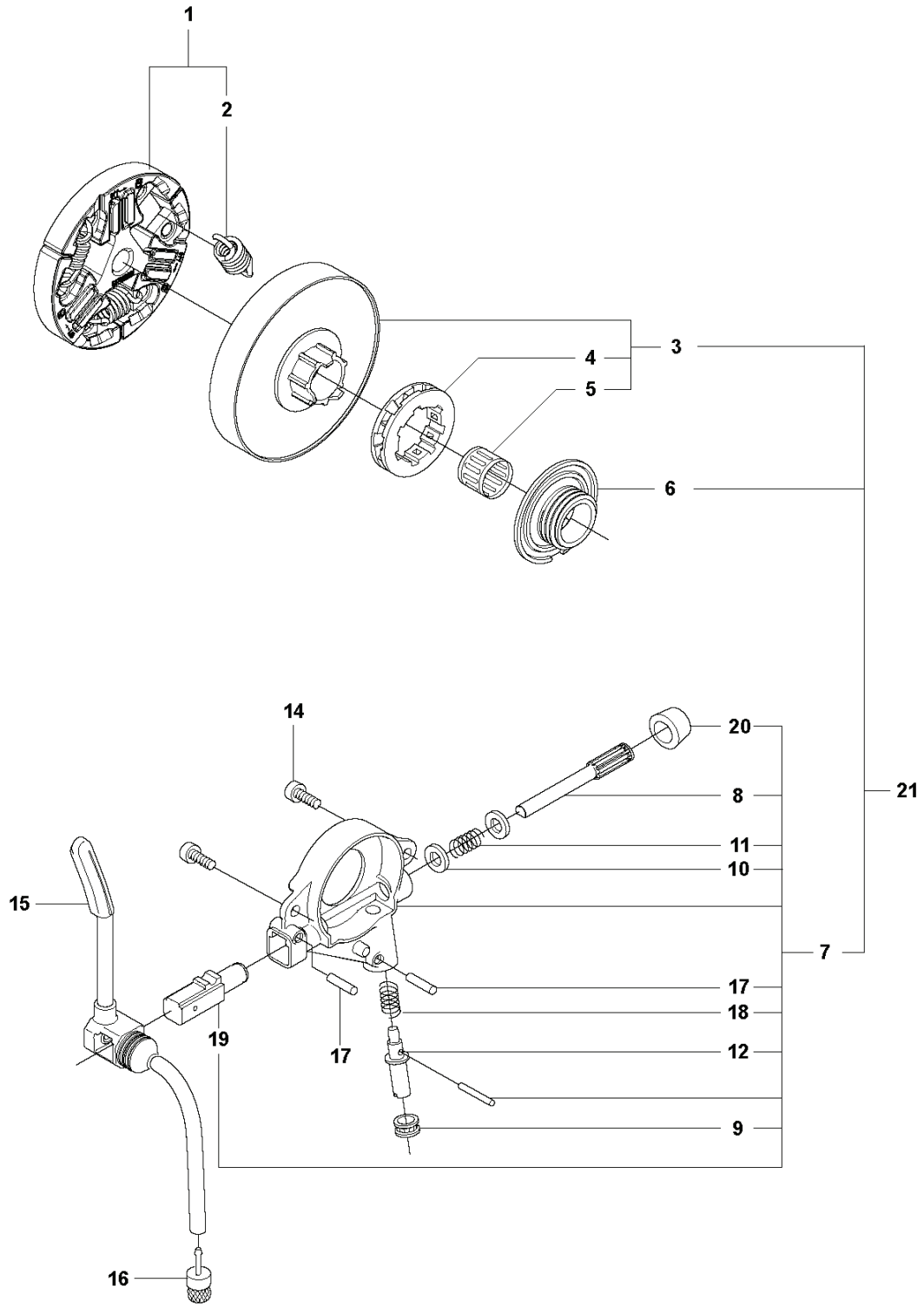
**A** 562XP  
CHAIN BRAKE & CLUTCH COVER



## CHAIN SAWS

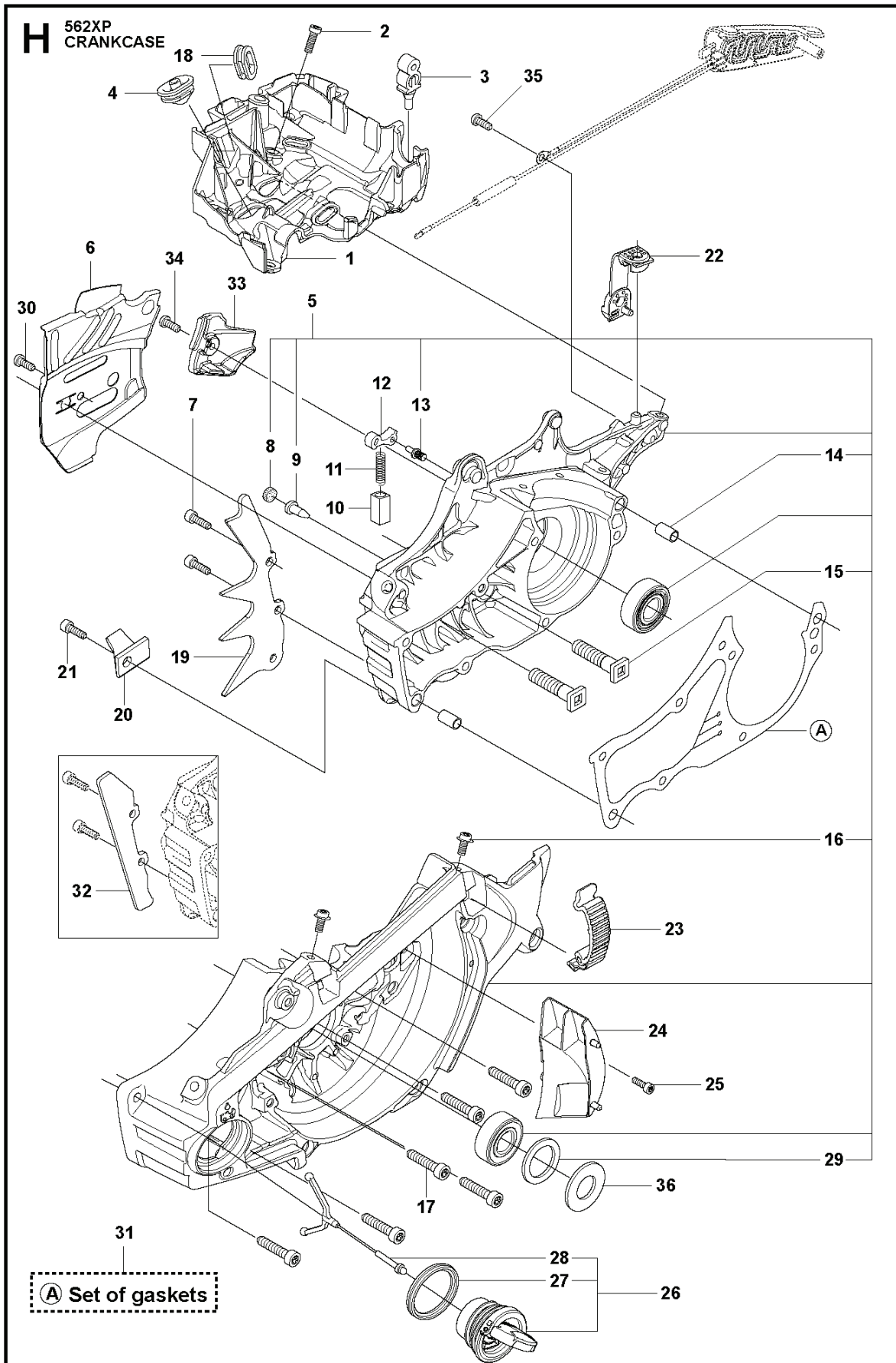
PXM_REF	PXM_PARTNO	DESCRIPTION	PXM_REMARK	QTY.
1	525250602	HAND GUARD		1
2	526834501	SCREW		2
3	577780201	BUSHING		2
4	505197301	NUT		2
5	525743305	CLUTCH COVER ASSY		1
6	503751801	PIN		1 5
7	526221801	SCREW CITXPANT		5 5
8	505199301	KNEE JOINT ASSY		1 5
9	503908301	BRAKE SPRING		1 5
10	505199502	BRAKE BAND ASSY		1 5
11	505201601	GUARD		1 5
12	505199703	COVER		1 5
14	523058001	LABEL	- up to s/n 20202399999	1
15	575260402	CHAIN TENSIONER KIT		1 5
16	740480702	O-RING		1 15
17	503230063	WASHER		1 15
20	537017401	BEARING SLEEVE		1 15
22	525388701	CHAIN GUIDE		1 5
23	575793501	SCREW ITXPANM		2
24	577975201	SPIKE OUTER		1
25	503222401	LOCK NUT		2

**B** 562XP  
CLUTCH & OIL PUMP



CHAIN SAWS

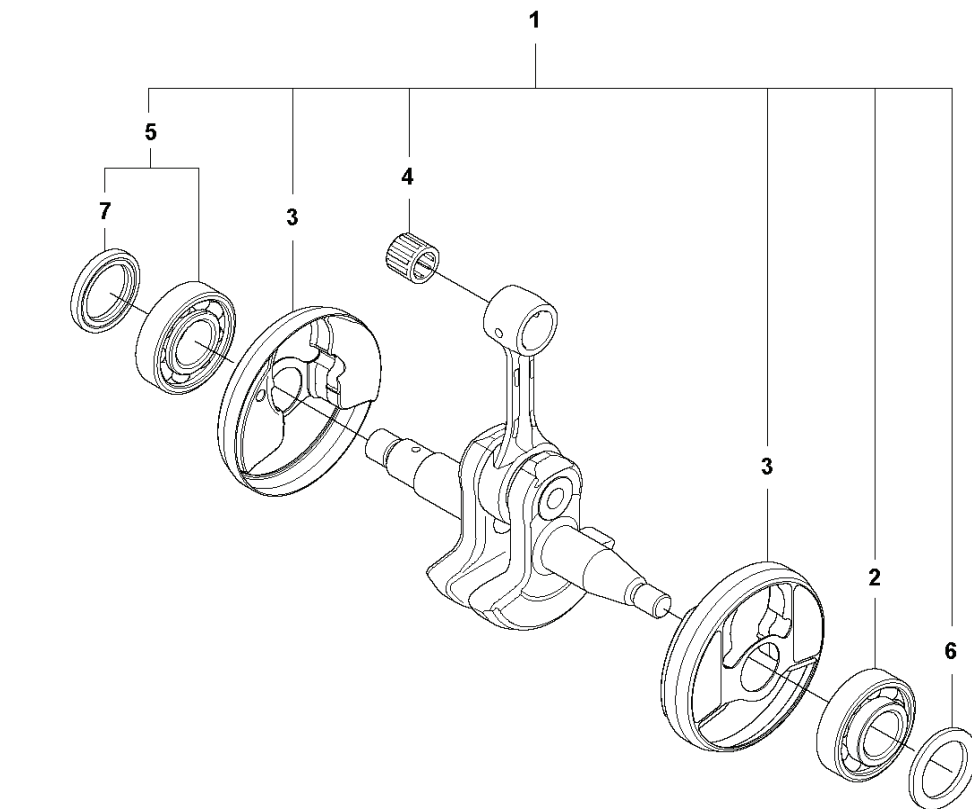
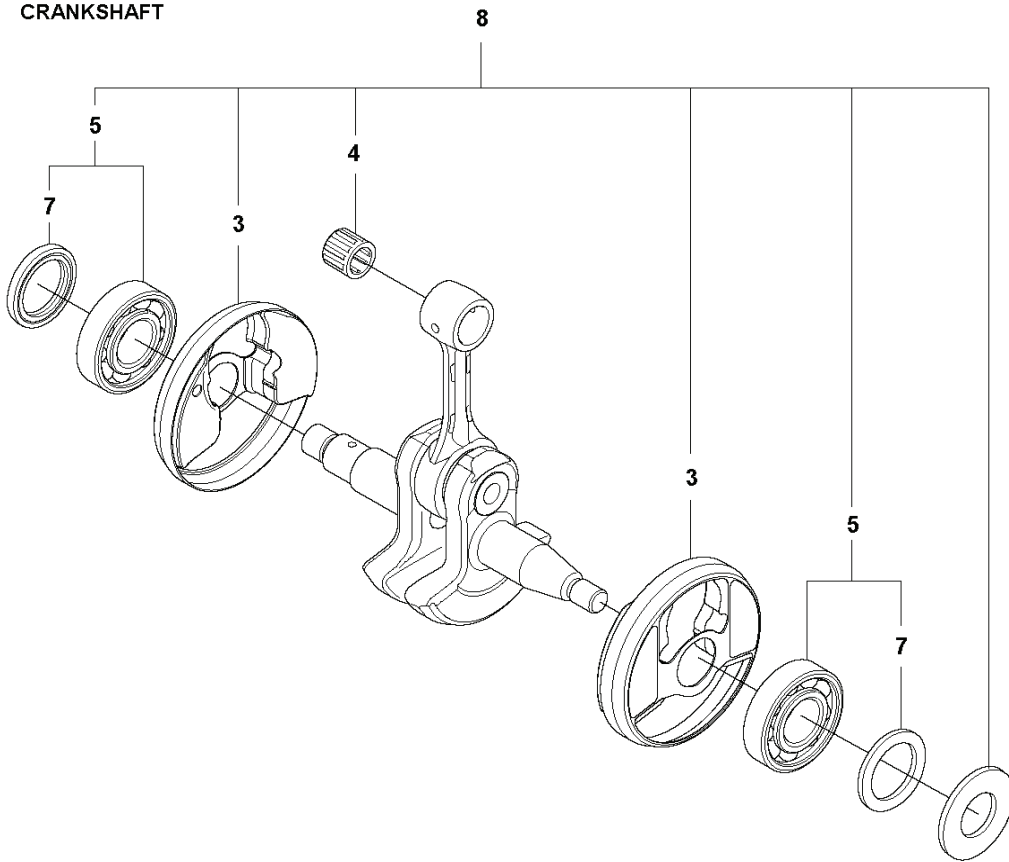
PXM_REF	PXM_PARTNO	DESCRIPTION	PXM_REMARK	QTY.	
1	589809002	CLUTCH ASSY		1	
2	502164701	CLUTCH SPRING	s/n from 20164100193 -	1	1
2	580653502	CLUTCH SPRING	s/n from 20133400001 - up to s/n 20164100192	3	1
3	575261005	CLUTCH DRUM ASSY	- up to s/n 20202200048 "3/8" x7"	1	
3	575261006	CLUTCH DRUM	- up to s/n 20202200048 "3/8" x7"	1	
3	575261008	CLUTCH DRUM ASSY	s/n from 20202200049 - "3/8" x7"	1	21
4	501457402	RIM		1	3
4	501598002	RIM	"3/8" x7"	1	3
5	503253401	NEEDLE BEARING		1	3
6	577601101	WORM WHEEL	- up to s/n 20202200048	1	
6	586204601	WORM WHEEL	s/n from 20202200049 - "3/8"	1	21
7	505199909	OIL PUMP ASSY		1	
8	505200203	PUMP PISTON		1	7
9	505200301	CASING		1	7
10	503230060	WASHER		2	7
11	503891601	SPRING		1	7
12	505157001	ADJUSTMENT SCREW		1	7
14	526818102	SCREW ITXSCM		2	
15	575847801	OIL HOSE		1	
16	504710003	OIL PLUMMET		1	
17	720123300	PARALLEL PIN		2	7
18	503891501	SPRING		1	7
19	505200101	PUMP CYLINDER		1	7
20	503624903	SEALING PLUG		1	7
21	598937704	CLUTCH DRUM ASSY	s/n from 20202200049 - "3/8"	1	



## CHAIN SAWS

PXM_REF	PXM_PARTNO	DESCRIPTION	PXM_REMARK	QTY.
1	588193901	CARBURETTOR AREA BASE		1
2	525755202	SCREW ITXSCFM		4
3	503869301	SUPPORT		2
4	581559201	BELLOWS		1
5	575380223	CRANKCASE ASSY		1
6	522742901	CHAIN GUIDE PLATE		1
7	575793501	SCREW ITXPANM		2
8	537403501	FILTER		1 5
9	530026119	CHECK VALVE		1 5
10	537210701	SPRING GUIDE		1
11	503436501	POSITION SPRING		1
12	505201201	CATCH		1
13	503751801	PIN		1 5
14	593806001	GUIDE BUSHING		2 5
15	522893801	BAR BOLT		2 5
16	525824401	SCREW ITXSCM		2 5
17	575841104	SCREW ITXSCM		6
18	537088301	GROMMET		1
19	577935201	SPIKE		1
20	522893901	CHAIN CATCHER		1
21	525798103	SCREW ITXSCFT		1
22	505125801	DEFLECTION LIMITER		1
23	503894703	SNAP LOCKING		3
24	588065501	AIR NOZZLE		1
25	526818101	SCREW ITXSCM		1
26	522620003	TANK CAP ASSY		1
27	589241101	GASKET		1 26
28	503578901	HOLDER		1 26
29	525391201	RADIAL SEAL	- up to s/n 20202399999	2 5
30	525887401	SCREW CITXPANT		1
31	575270003	GASKET KIT	A=set of gaskets	1
32	525347601	BUMPER		1
33	577386801	CHAIN GUIDE		1
34	525887401	SCREW CITXPANT		1
35	526221801	SCREW CITXPANT		1
36	596911301	PROTECTIVE CAP	s/n from 20202400001 -	1

**E** 562XP  
CRANKSHAFT



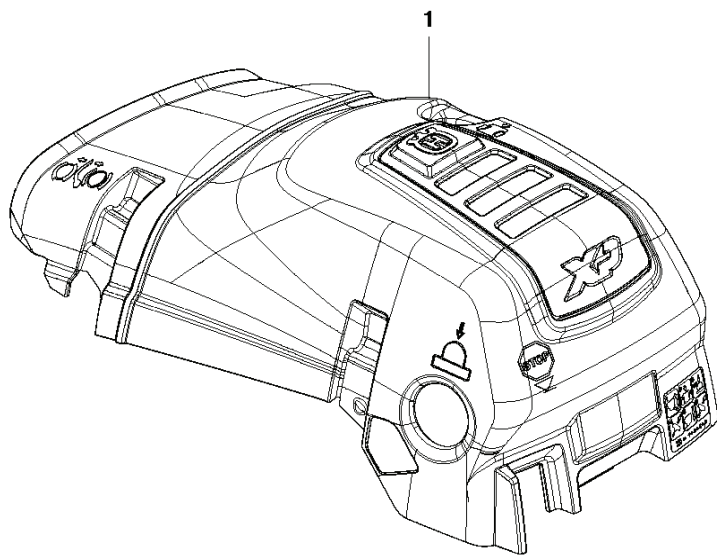
## CHAIN SAWS

---

PXM_REF	PXM_PARTNO	DESCRIPTION	PXM_REMARK	QTY.	
1	575545215	CRANKSHAFT ASSY	- up to s/n 20202399999	1	
2	505133504	BALL BEARING	- up to s/n 20202399999	1	1
3	505133601	CUP		2	1,8
4	503256302	NEEDLE BEARING		1	1,8
5	525434204	BALL BEARING		1	1
6	525391201	RADIAL SEAL	- up to s/n 20202399999	1	1
7	505416101	RADIAL SEAL		1	1,5. 8
8	575545219	CRANKSHAFT ASSY	s/n from 20202400001 -	1	



**C** 562XP  
CYLINDER COVER

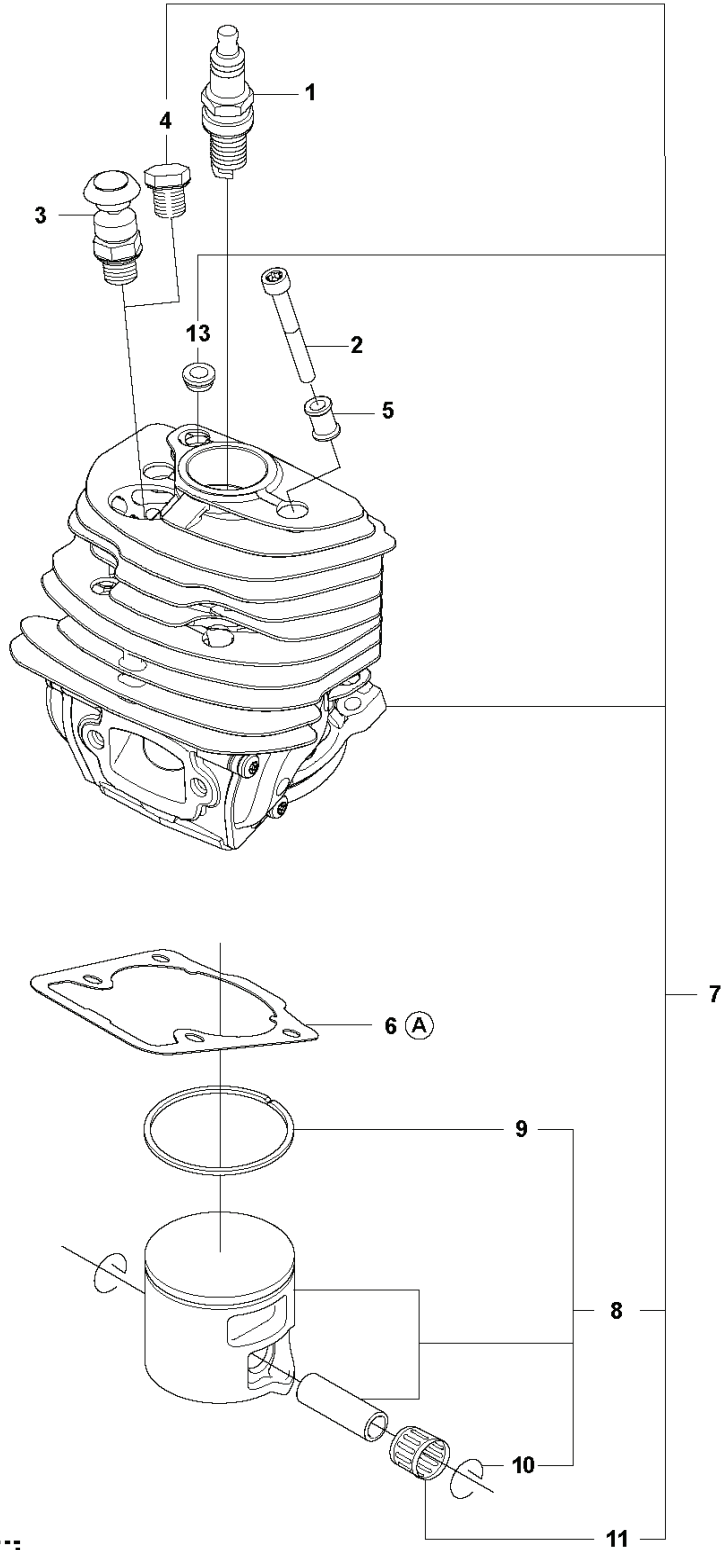


## CHAIN SAWS

---

PXM_REF	PXM_PARTNO	DESCRIPTION	PXM_REMARK	QTY.
1	587248702	CYLINDER COVER ASSY		1
2	587149501	LABEL		1 1

**D** 562XP  
CYLINDER PISTON



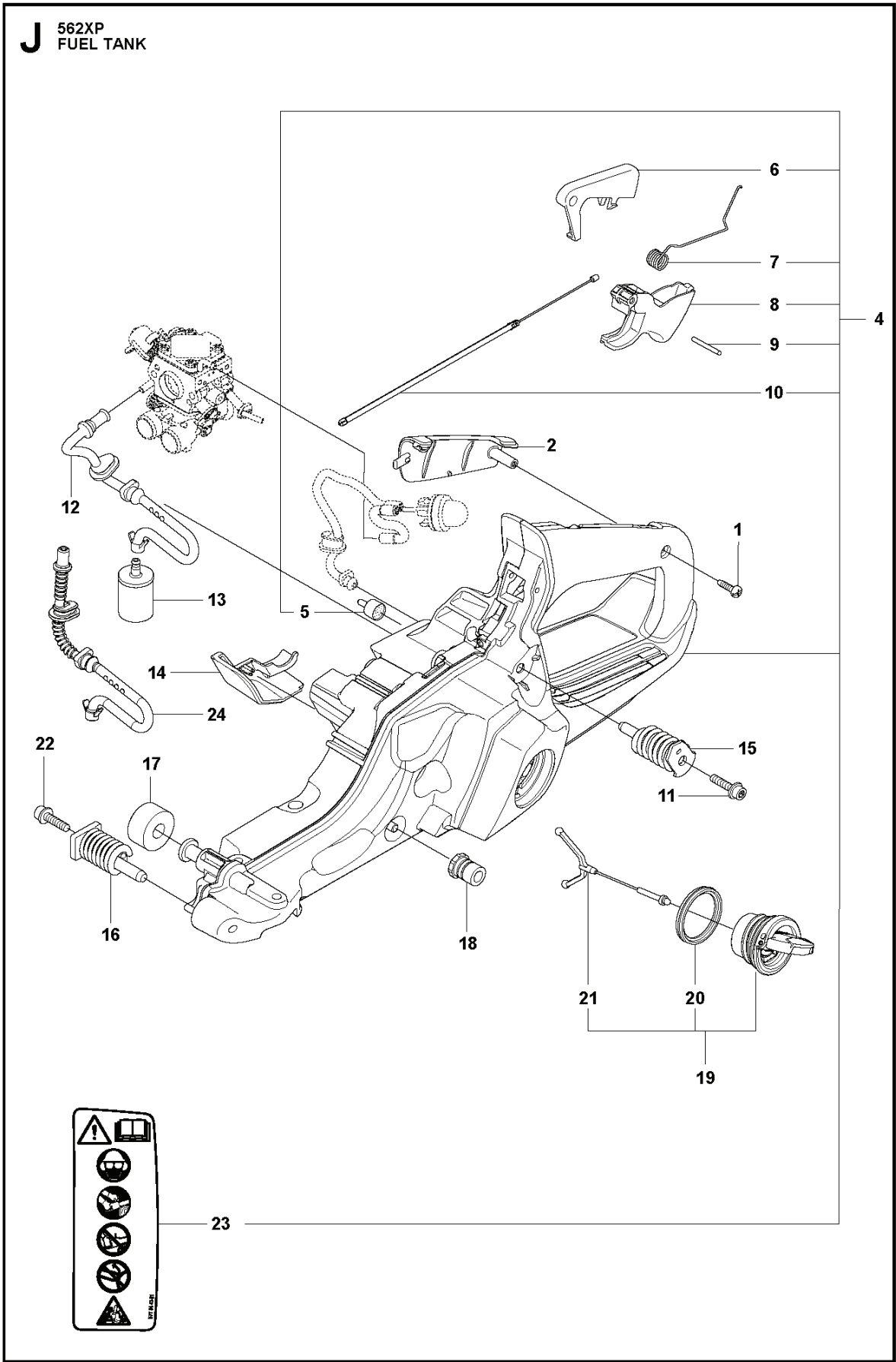
12  
Ⓐ Set of gaskets

## CHAIN SAWS

---

PXM_REF	PXM_PARTNO	DESCRIPTION	PXM_REMARK	QTY.
1	574519601	SPARK PLUG		1
2	582392701	SCREW		4
3	575276901	DECOMPRESSION VALVE		1
4	503552201	PLUG		1
5	576717602	SLEEVE		4
6	510164901	GASKET		1 12
7	575355805	CYLINDER ASSY		1
8	584807806	PISTON ASSY		1 7
9	505215701	PISTON RING		1 8.7
10	737441000	SNAP RING		2 8.7
11	503256302	NEEDLE BEARING		1 7
12	575270003	GASKET KIT	A=set of gaskets	1
13	520291101	BUSHING		1 7

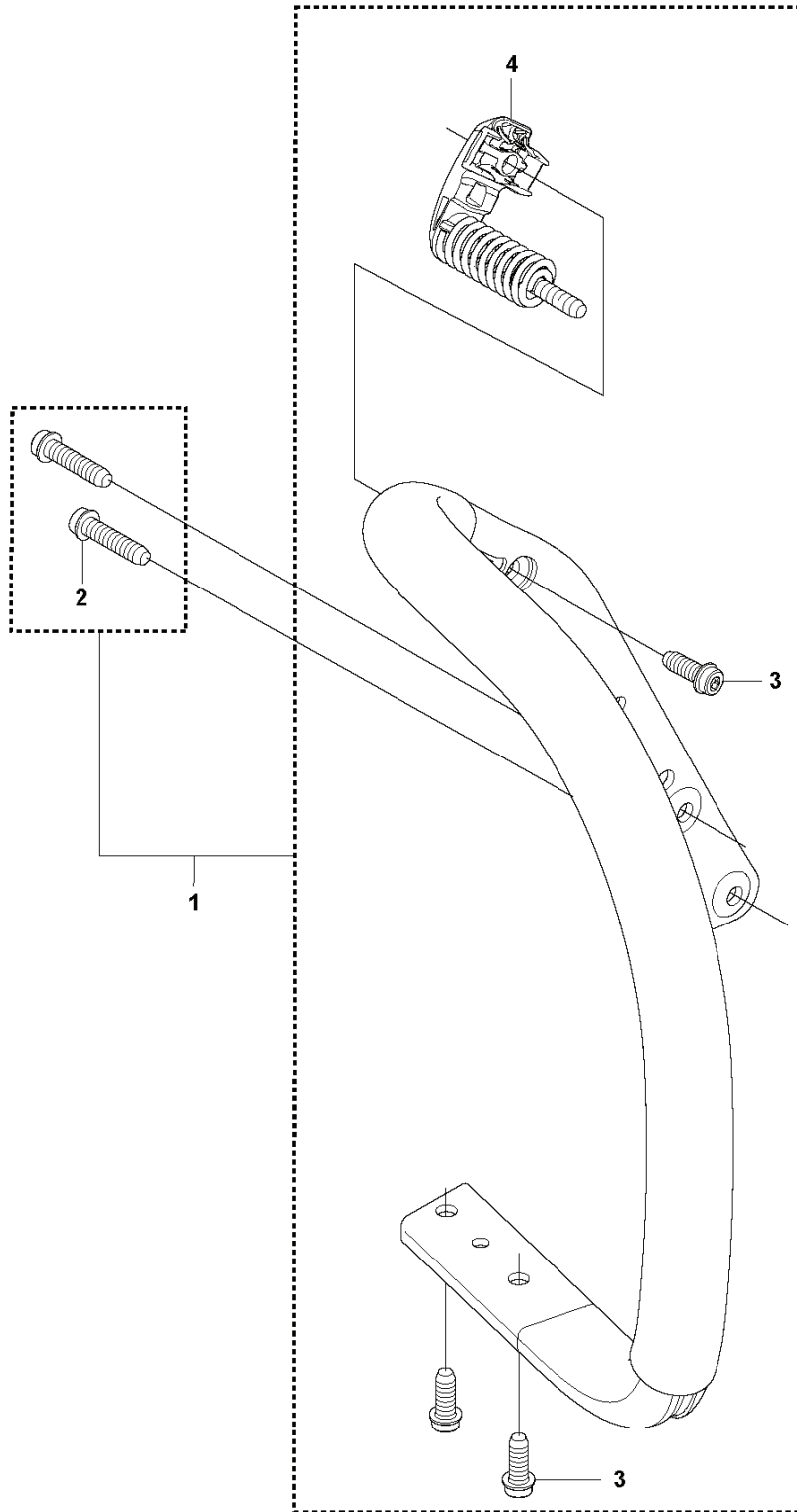
**J** 562XP  
FUEL TANK



## CHAIN SAWS

PXM_REF	PXM_PARTNO	DESCRIPTION	PXM_REMARK	QTY.
1	525887402	SCREW CITXPANT		1
2	504106301	HANDLE INSERT		1
4	575382205	FUEL TANK ASSY		1
5	501152901	TANK VENT ASSY		1 4
6	544099801	THROTTLE LOCKOUT		1 4
7	544099901	SPRING		1 4
8	505157701	THROTTLE		1 4
9	720182520	PARALLEL PIN		1 4
10	521887901	THROTTLE CABLE ASSY		1
11	525798102	SCREW ITXSCFT		1
12	573993503	FUEL HOSE		1
13	503443203	FUEL FILTER	18-40 µm (Blue)	1
14	505165901	COVER	not.XPW	1
15	586312103	ANTIVIBRATION ELEMENT		1
16	505128702	ANTIVIBRATION ELEMENT		1
17	523085501	DEFLECTION LIMITER		1
18	501007601	SUPPORT		1
19	522620003	TANK CAP ASSY		1
20	589241101	GASKET		1 19
21	503578901	HOLDER		1 19
22	525798103	SCREW ITXSCFT		1
23	577844301	DECAL		1 4
24	577504101	FUEL HOSE	From s/n 20161000481 -	1

**K1** 562XP  
HANDLE



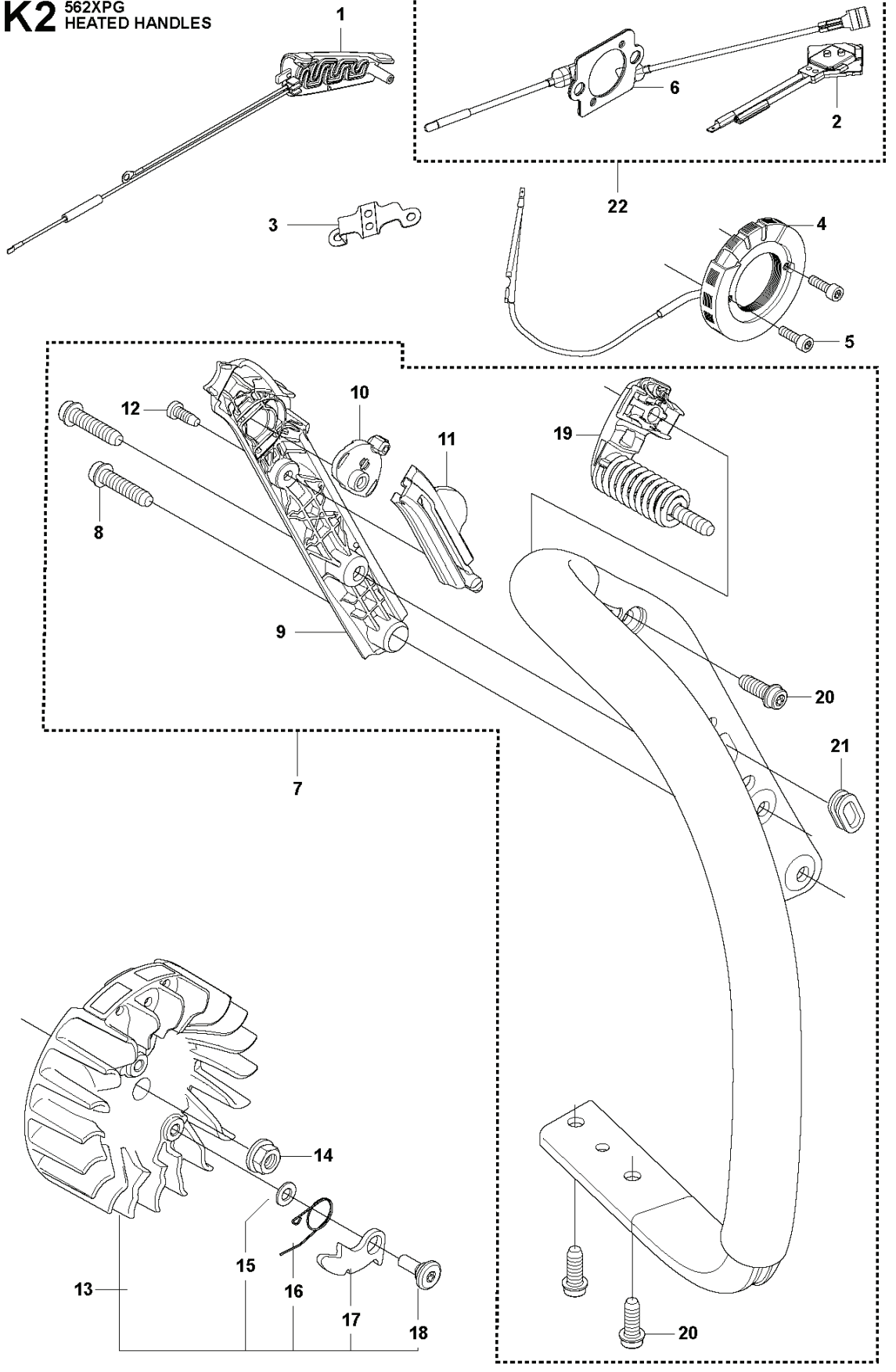
## CHAIN SAWS

---

PXM_REF	PXM_PARTNO	DESCRIPTION	PXM_REMARK	QTY.
1	575388903	FRONT HANDLE		1
2	525798103	SCREW ITXSCFT		2 1
3	525798101	SCREW ITXSCFT		3 1
4	505129705	ANTIVIBRATION ELEMENT		1 1

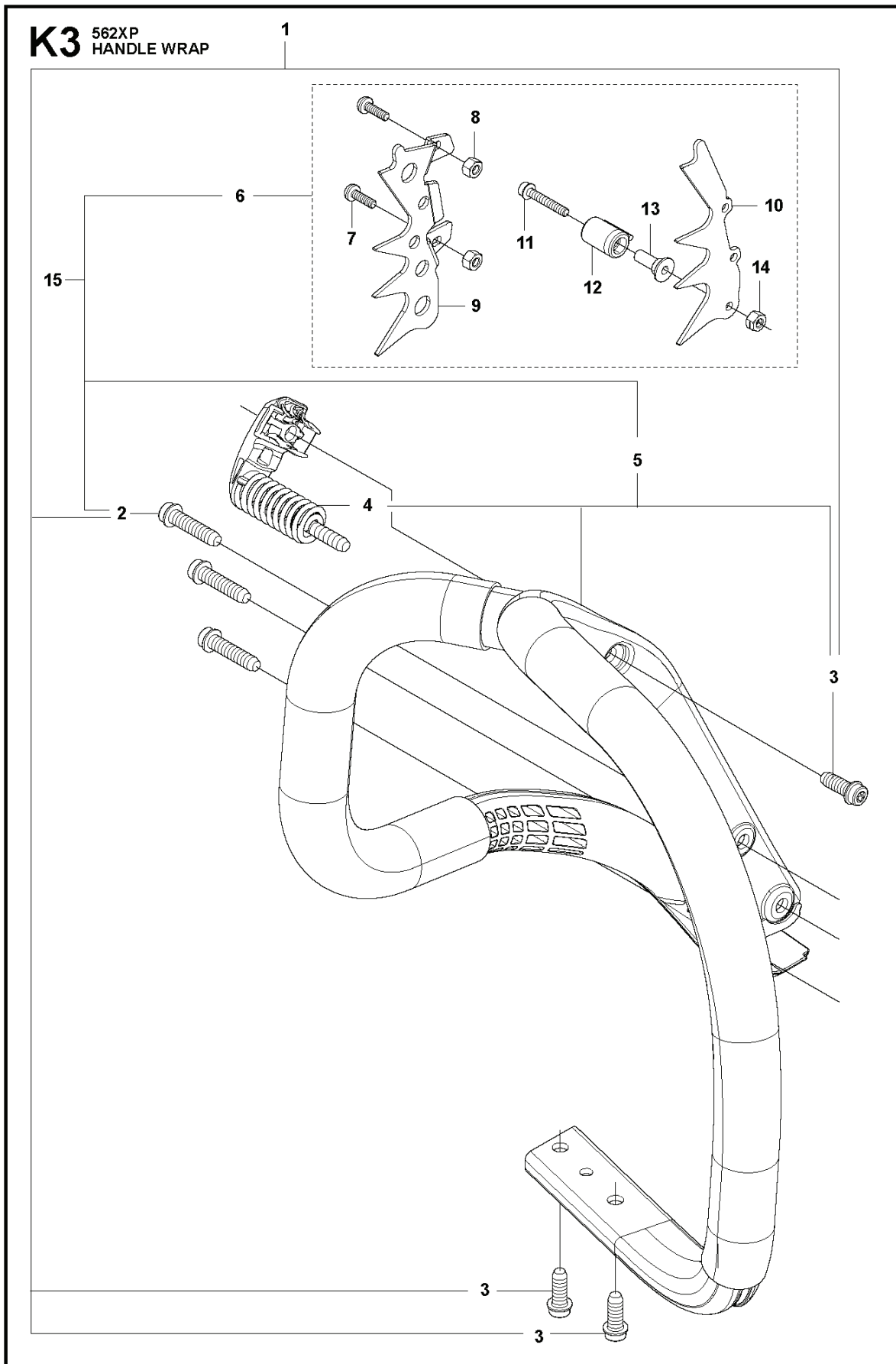


**K2** 562XPG  
HEATED HANDLES



# CHAIN SAWS

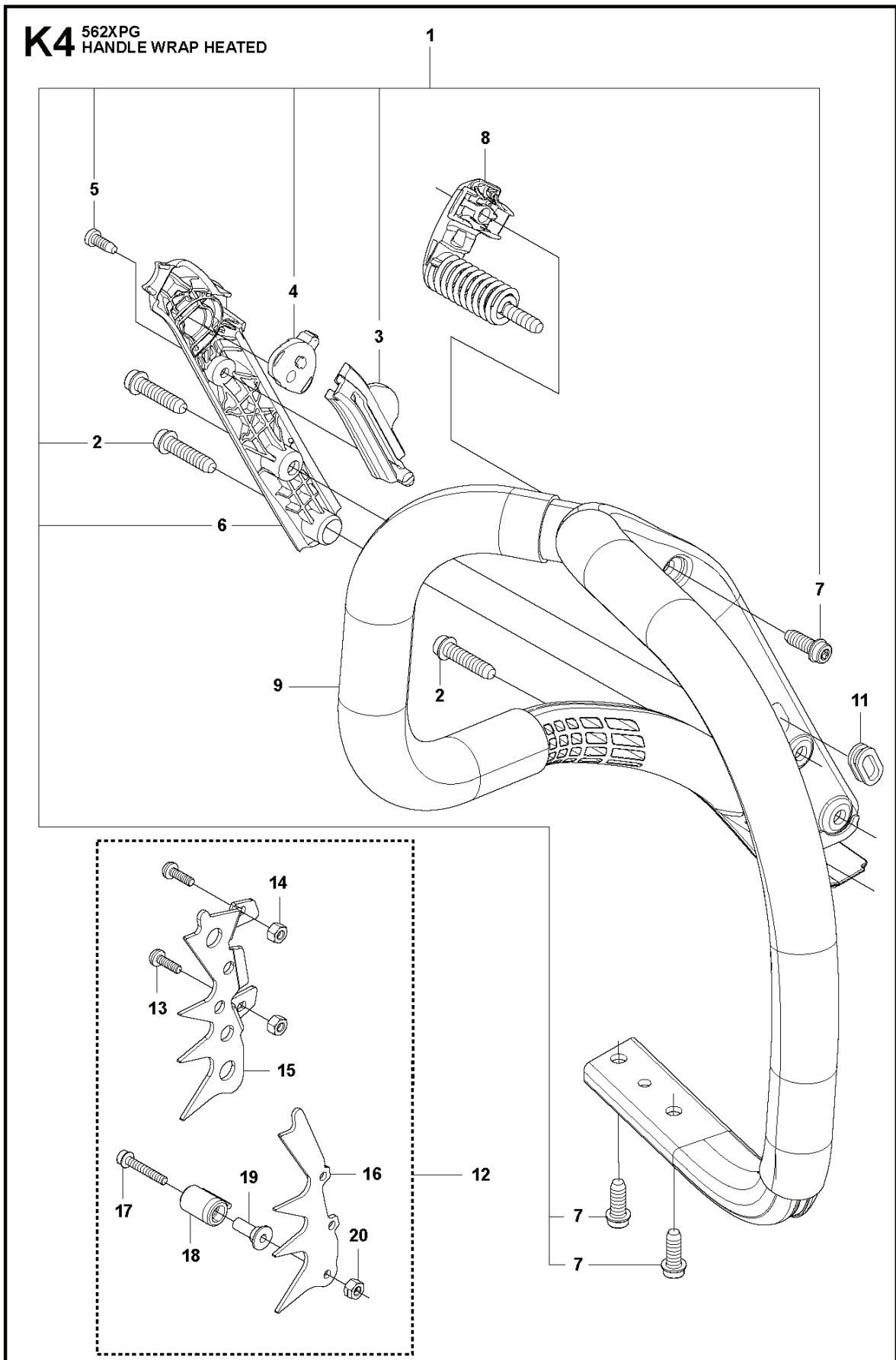
PXM_REF	PXM_PARTNO	DESCRIPTION	PXM_REMARK	QTY.
1	522741901	HANDLE INSERT		1
2	578864601	THERMOSTAT ASSY		1 22
3	537210801	RETAINER		1
4	522611401	GENERATOR STATOR		1
5	526818102	SCREW ITXSCM		2
6	588168602	FOIL ELEMENT		1 22
7	575388904	FRONT HANDLE		1
8	525798103	SCREW ITXSCFT		2 7
9	505157403	COVER		1 7
10	537252501	CONTACT PLATE		1 7
11	510097801	CONTACT PLATE		1 7
12	525887402	SCREW CITXPANT		1 7
13	504872404	FLYWHEEL ASSY		1
14	503220401	NUT		1
15	503230042	WASHER		2 13
16	501673501	SPRING		2 13
17	501673201	PAWL		2 13
18	506006901	SCREW		2 13
19	505129705	ANTIVIBRATION ELEMENT		1 7
20	525798101	SCREW ITXSCFT		3 7
21	537088301	GROMMET		1 7
22	582829601	THERMOSTAT ASSY	s/n up to 20164199999	1



## CHAIN SAWS

---

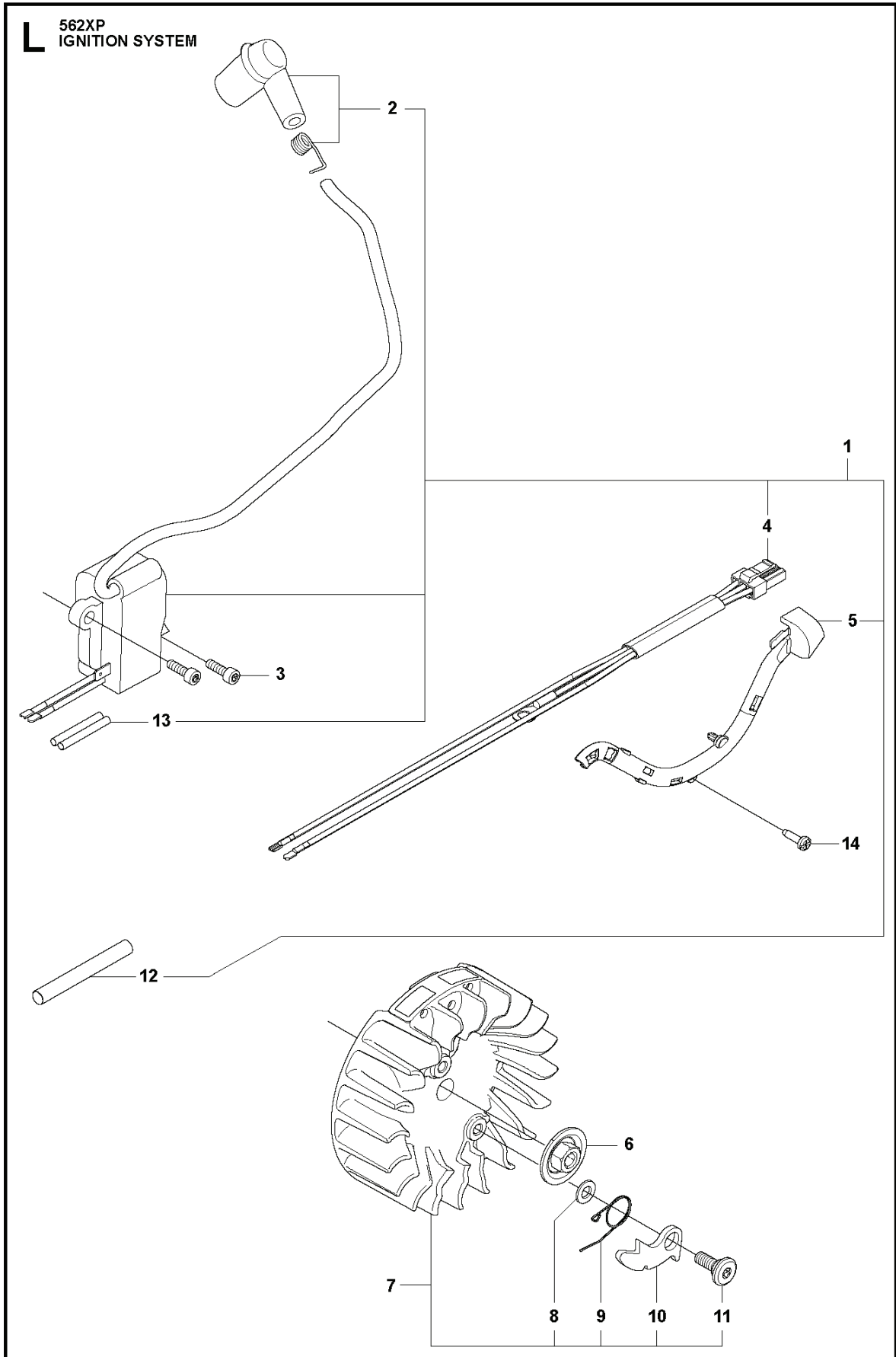
PXM_REF	PXM_PARTNO	DESCRIPTION	PXM_REMARK	QTY.
1	576945104	SCREW KIT	Only screws	1
2	525798103	SCREW ITXSCFT		3 1,15
3	525798101	SCREW ITXSCFT		2 1,5
4	505129705	ANTIVIBRATION ELEMENT		1 5
5	505156903	FRONT HANDLE ASSY	incl. 5743863-01	1 15
6	576873004	SPIKE		1 15
7	575793501	SCREW ITXPANM		2 6,1
8	503222401	LOCK NUT		2 6
9	577976301	SPIKE OUTER	Spike Wrap	1 6
10	577976101	SPIKE	Spike Wrap	1 6
11	525755103	SCREW ITXSCFM		1 6
12	537024401	WEAR PROTECTION		1 6
13	537089201	CHAIN CATCHER		1 6
14	503222401	LOCK NUT		1 6
15	588966401	HANDLE		1



## CHAIN SAWS

---

PXM_REF	PXM_PARTNO	DESCRIPTION	PXM_REMARK	QTY.
1	576945105	HANDLE KIT		1
2	525798103	SCREW ITXSCFT		3 1
3	510097801	CONTACT PLATE		1 1
4	537252501	CONTACT PLATE		1 1
5	525887401	SCREW CITXPANT		1 1
6	505157403	COVER		1 1
7	525798101	SCREW ITXSCFT		1 9
8	505129705	ANTIVIBRATION ELEMENT		1 9
9	505156904	FRONT HANDLE ASSY	incl. 5743863-01	1
11	537088301	GROMMET		1 9
12	576873004	SPIKE		1
13	575793501	SCREW ITXPANM		2 12.1
14	503222401	LOCK NUT		2 12
15	577976301	SPIKE OUTER		1 12
16	577976101	SPIKE		1 12
17	525755103	SCREW ITXSCFM		1 12
18	537024401	WEAR PROTECTION		1 12
19	537089201	CHAIN CATCHER		1 12
20	503222401	LOCK NUT		1 12

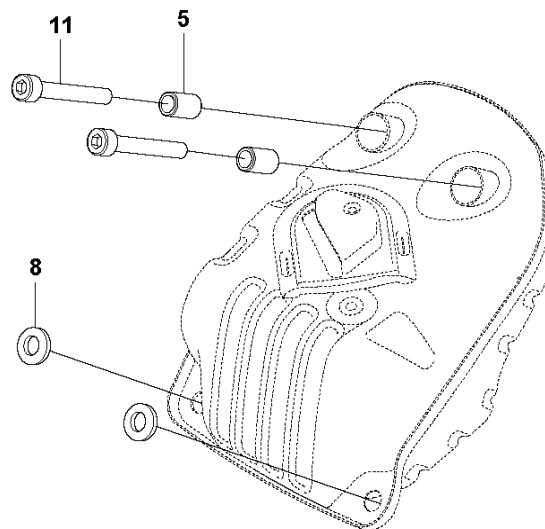
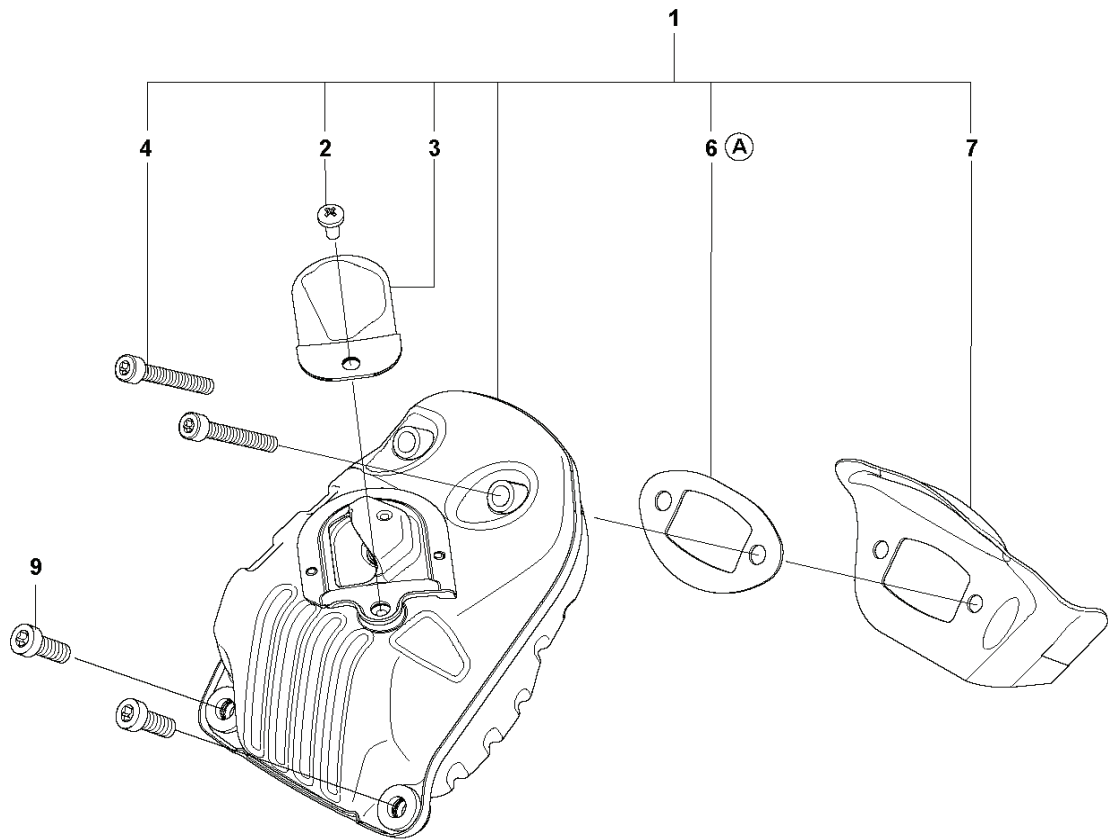


## CHAIN SAWS

PXM_REF	PXM_PARTNO	DESCRIPTION	PXM_REMARK	QTY.	
1	522795106	IGNITION MODULE ASSY	s/n up to - 20121401172 (14MHz)	1	
1	581723402	IGNITION MODULE ASSY	s/n from 20121401173 - (8MHz)	1	
2	501485404	SPARK PLUG CAP ASSY		1	1
3	525755203	SCREW ITXSCFM		2	
4	575430601	WIRING ASSY	s/n up to - 20121401172 (14MHz)	1	
4	577967601	WIRING ASSY	s/n from 20121401173 - (8MHz)	1	1
5	505178201	CABLE HOLDER		1	1
6	585321801	NUT		1	
7	504872403	FLYWHEEL ASSY	XP	1	
7	504872404	FLYWHEEL ASSY	XPG	1	
8	503230042	WASHER		2	
9	501673501	SPRING		2	
10	501673201	PAWL		2	
11	506006901	SCREW		2	
12	504043505	CABLE COVER		1	1
13	503238501	SHRINKAGE HOSE		2	1
14	525887401	SCREW CITXPANT		1	



**F** 562XP  
MUFFLER



10  
**(A) Set of gaskets**

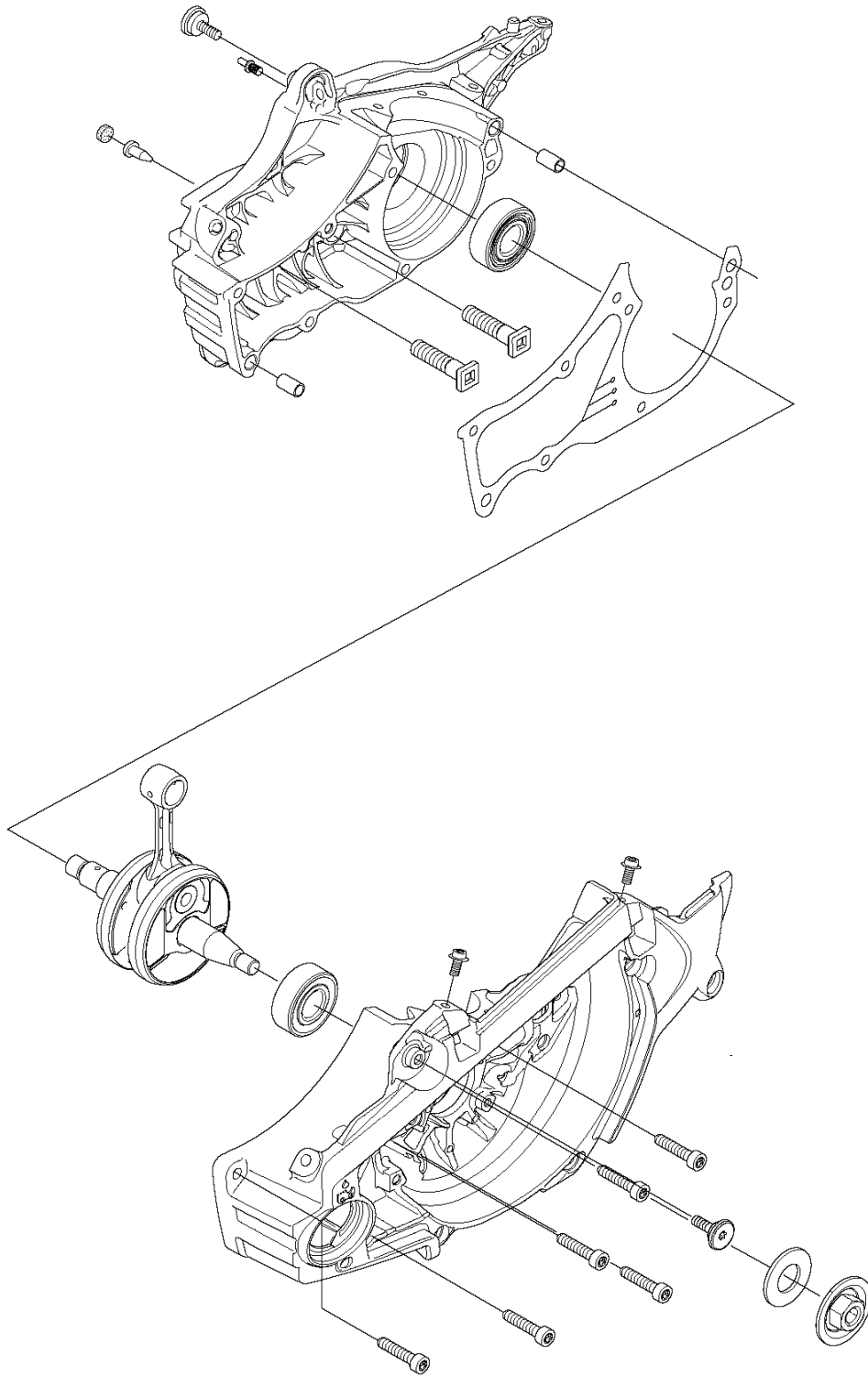
## CHAIN SAWS

---

PXM_REF	PXM_PARTNO	DESCRIPTION	PXM_REMARK	QTY.
1	581914802	MUFFLER KIT		1
2	724128759	SCREW CRPANM		1 1
3	505171301	SPARK ARRESTER		1 1
4	525825106	SCREW ITXSCM	s/n from 20133400001 -	2 1
5	577656301	SLEEVE	s/n up to - 20133399999	2
6	581918501	GASKET		1 1, 10
7	585178701	HEAT DEFLECTOR		1 1
8	577902201	WASHER	s/n up to - 20133399999	2
9	525762501	SCREW ITXSCM		2
10	575270003	GASKET KIT	A=set of gaskets	1
11	725537655	SCREW IHSCM	s/n up to - 20133399999	2 1

**H2** 562XP  
CRANKCASE SHORT BLOCK

1

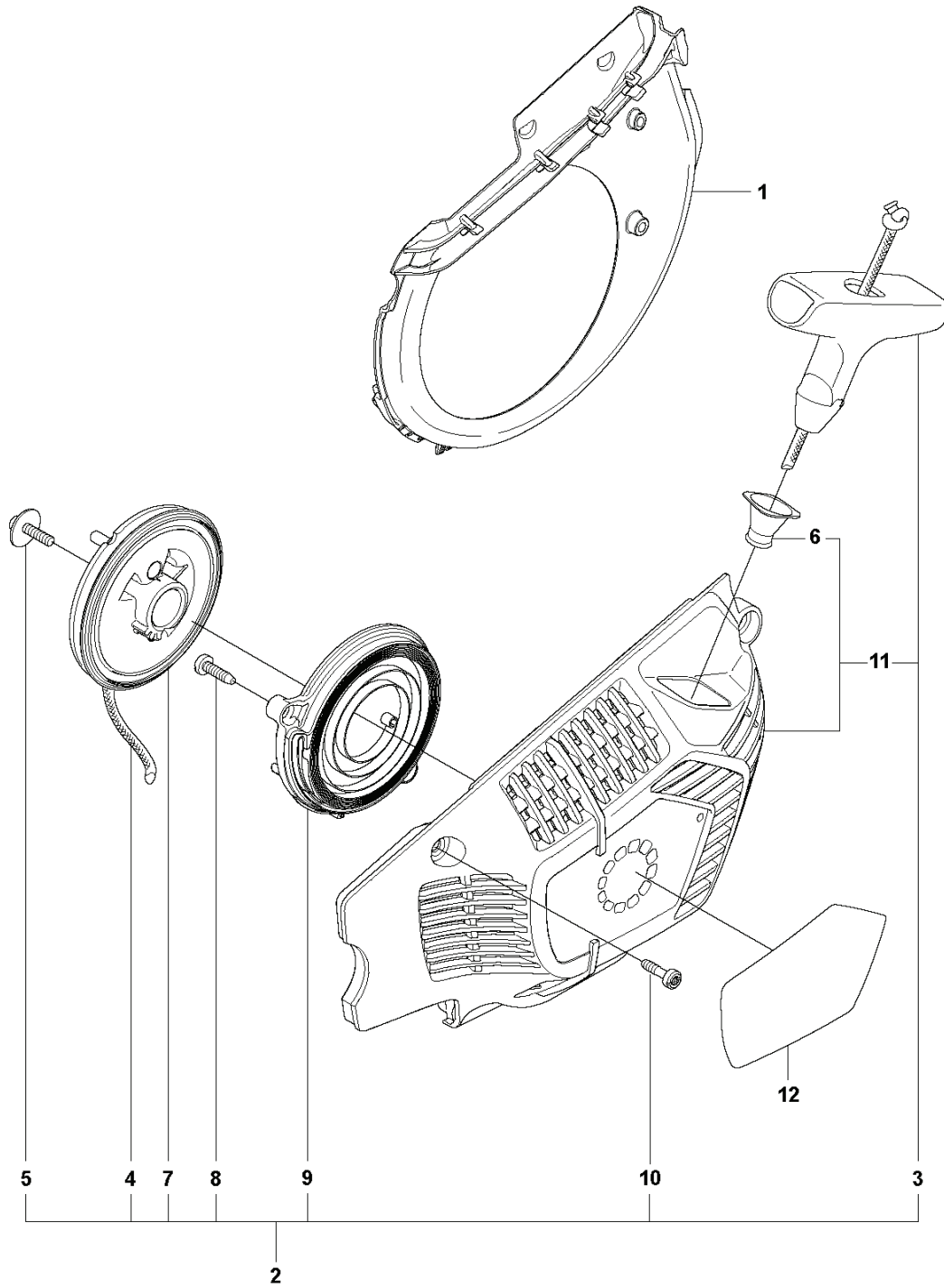


## CHAIN SAWS

---

PXM_REF	PXM_PARTNO	DESCRIPTION	PXM_REMARK	QTY.
1	580663712	SHORT BLOCK		1

**M** 562XP  
STARTER



# CHAIN SAWS

---

PXM_REF	PXM_PARTNO	DESCRIPTION	PXM_REMARK	QTY.
1	505157501	AIR CONDUCTOR		1
2	505159204	STARTER ASSY		1
3	537232501	STARTER HANDLE		1 2
4	505305125	STARTER ROPE		1 2
5	576356601	SCREW ITXSCT		1 2
6	537283201	SLEEVE		1 2, 11
7	505158101	STARTER PULLEY ASSY		1 2
8	525887401	SCREW CITXPANT		2 2
9	505157902	SPRING CASSETTE ASSY		1 2
10	525824501	SCREW CITXPANMO		4 2
11	505159102	STARTER HOUSING		1 2
12	523035605	LABEL	XP	1
12	523035606	LABEL	XPG	1