

HUSQVARNA - SPARE PARTS CATALOGUE

CHAIN SAWS: HUSQVARNA 560 XP® G

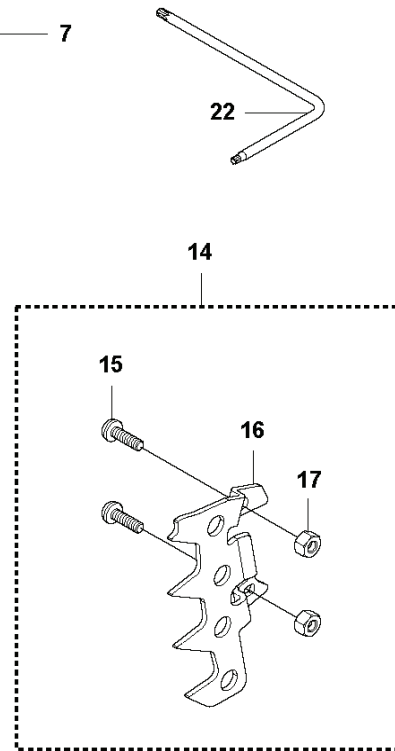
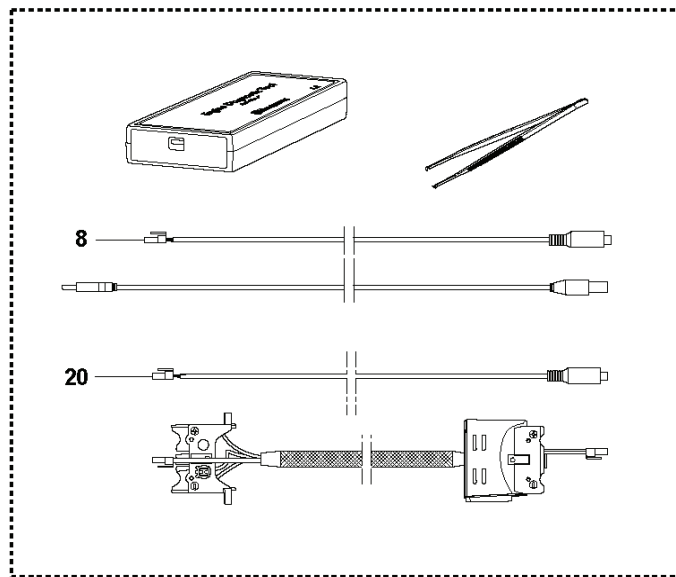
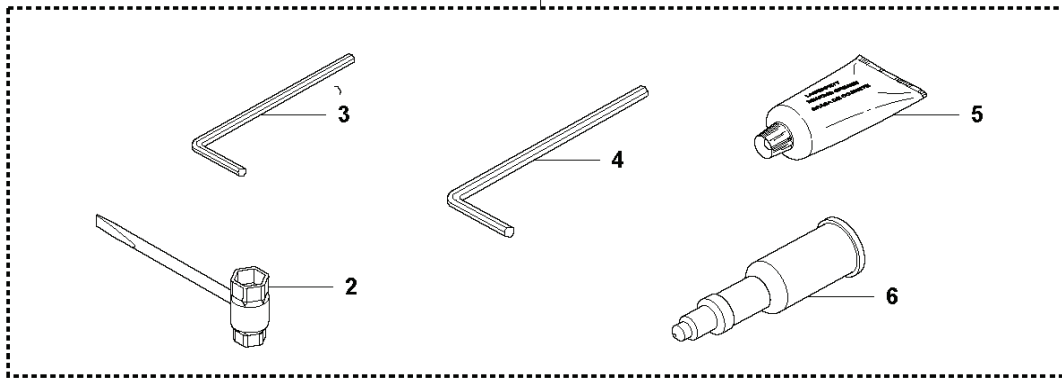
Spare parts list

SPARE PARTS LIST

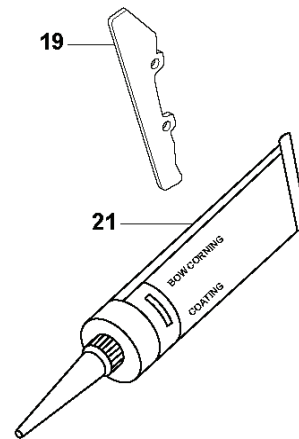
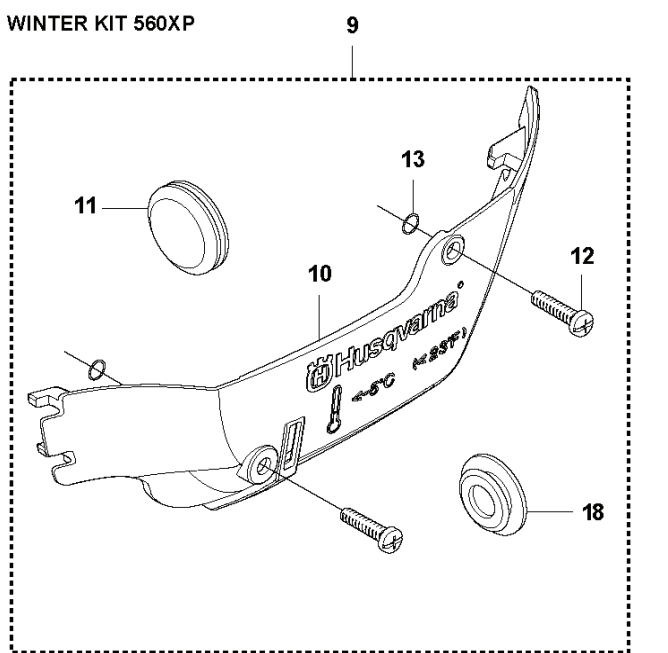
CHAIN SAWS

HUSQVARNA 560 XP[®] G

P 560XP
ACCESSORIES



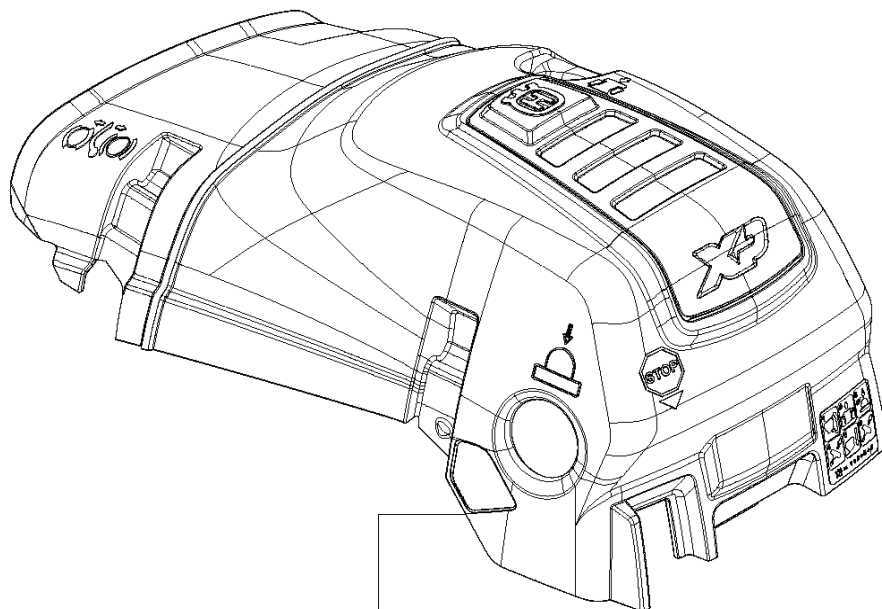
WINTER KIT 560XP



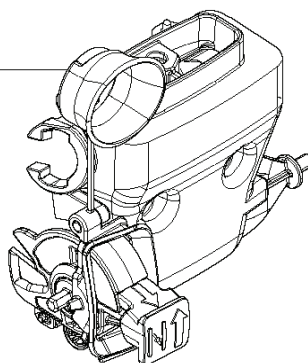
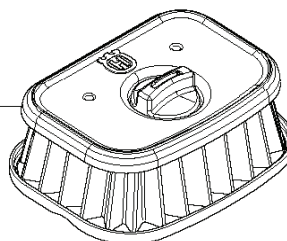
CHAIN SAWS

PXM_REF	PXM_PARTNO	DESCRIPTION	PXM_REMARK	QTY.
1	575439201	TOOL		1
2	522521101	COMBINATION WRENCH		1 1
3	503558601	SPANNER		1 1
4	503558602	SPANNER		1 1
5	503621201	GREASE		1 1
6	501911401	GREASE GUN		1 1
7	583897101	DIAGNOSTIC TOOL KIT		1
8	576183401	CABLE ASSY	Diagnostics cable 14 Mhz	1 7
9	522986502	WINTER KIT		1
10	505166101	WINTER COVER		1 9
11	503405901	WINTER PLUG		1 9
12	503217016	SCREW CCRPANT		2 9
13	740420100	O-RING		2 9
14	577014003	SPIKE OUTER		1
15	575793501	SCREW ITPANM		2 14
16	577962501	SPIKE OUTER		1 14
17	503222401	LOCK NUT		2 14
18	578125501	WINTER PLUG		1 9
19	525347601	BUMPER		1
20	576952201	CABLE ASSY	Diagnostics cable 8 MHz	1 7
21	503267201	GLUE		1
22	575880701	WRENCH		1

G2 560XP/XPG
KIT ASSY



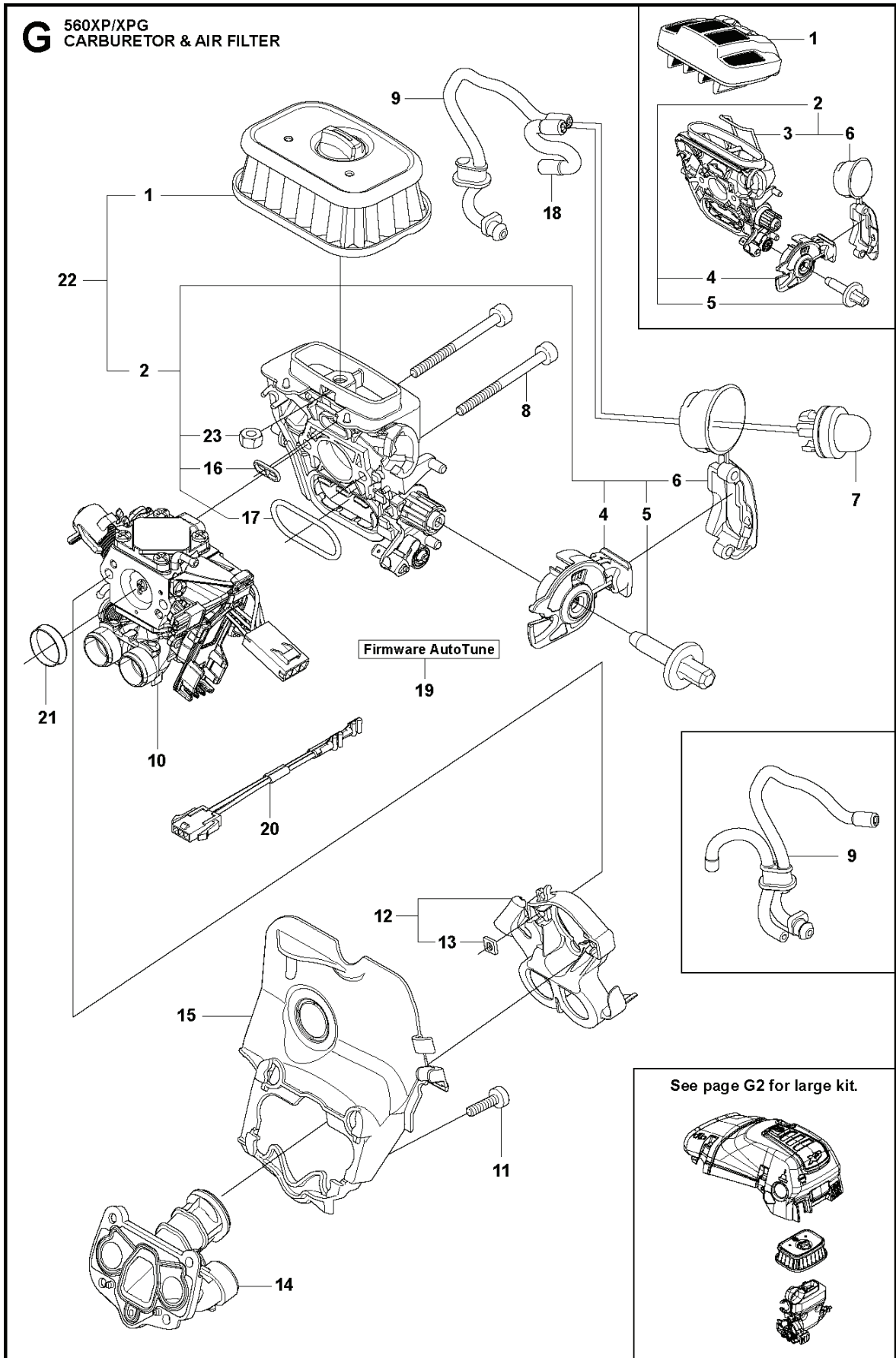
1



CHAIN SAWS

PXM_REF	PXM_PARTNO	DESCRIPTION	PXM_REMARK	QTY.
1	598934702	FILTER UNIT	XPG	1
1	598934703	FILTER UNIT	XP	1

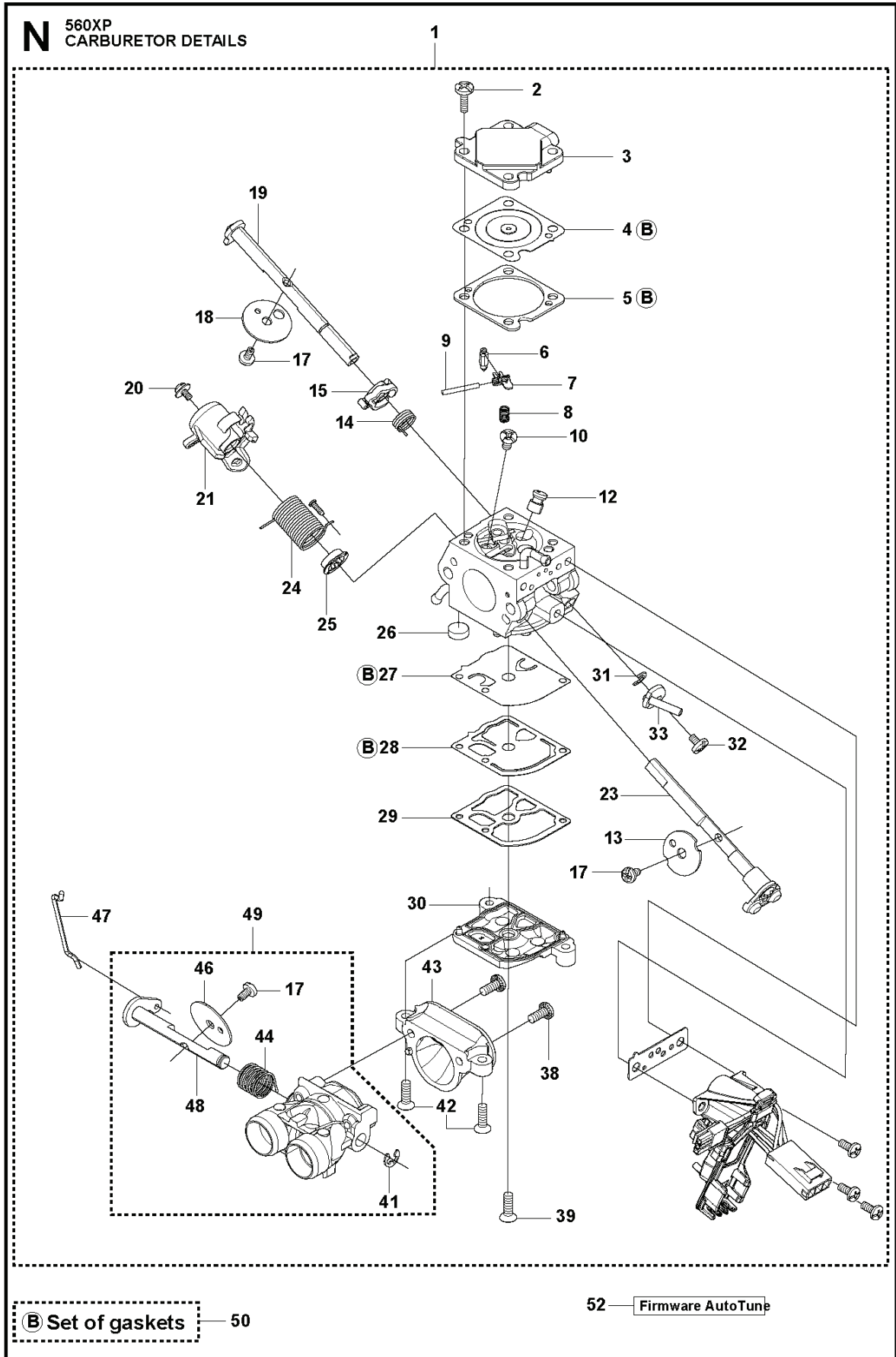
G 560XP/XPG
CARBURETOR & AIR FILTER



CHAIN SAWS

PXM_REF	PXM_PARTNO	DESCRIPTION	PXM_REMARK	QTY.	
1	590458803	AIR FILTER ASSY	Non Woven Nature s/n from 20203200001 -	1	
1	590458801	AIR FILTER	NYLON 64 µm Black s/n from 20203200001 -	1	
1	590458802	AIR FILTER	NYLON 25 µm Yellow s/n from 20203200001 -	1	22
1	505126305	AIR FILTER ASSY	NYLON 44 µm Yellow s/n up to - 20203199999	1	
1	505126304	AIR FILTER ASSY	NYLON 80 µm Black s/n up to - 20203199999	1	
1	505126306	AIR FILTER ASSY	FELT White s/n up to - 20203199999	1	
1	505126307	AIR FILTER	NYLON 25 µm Orange s/n up to - 20203199999	1	
2	597275501	FILTER HOLDER ASSY	XP s/n from 20203200001 -	1	2, 22
2	597275502	FILTER HOLDER ASSY	XPG s/n from 20203200001 -	1	2, 22
2	525397906	FILTER HOLDER ASSY	XPG s/n up to - 20203199999	1	
2	525397905	FILTER HOLDER ASSY	XP s/n up to - 20203199999	1	
3	505176901	SHACKLE	s/n up to - 20203199999	1	2
4	510017202	CHOKE CONTROL ASSY		1	2, 22
5	505156201	SCREW		1	2, 22
6	525588101	SEALING		1	2, 22
7	503936601	PURGE		1	
9	589357101	VENTILATING HOSE	s/n up to 20154799999	1	
8	574353503	SCREW ITXSCM		2	
9	587645404	VENTILATING HOSE	s/n from 20154800001	1	9
9	525344303	FUEL HOSE	XP s/n from 20173800688	1	
10	579194101	CARBURETTOR	s/n up to - 20121401172 (ZAMA EL44)	1	
11	526818101	SCREW ITXSCM		4	
10	501463305	CARBURETTOR KIT	ZAMA140058A	1	
12	505165202	FLANGE		1	
13	503226503	SQUARE NUT		2	12
14	583964103	INLET PIPE		1	
14	583964104	INLET PIPE	Cold resistant	1	
15	520290901	INTERMEDIATE WALL		1	
16	525619201	SEALING		1	2, 22
17	525619001	SEALING		1	2, 22
18	523056801	FUEL HOSE		1	
19	.	TBD	Download from your local supportsite	0	
20	577536401	WIRING ASSY	s/n from 20121401173 -	1	
21	582025101	SUPPORT SLEEVE		1	
22	598934501	FILTER UNIT	XP	1	
22	598934502	FILTER UNIT	XPG	1	
23	731231401	HEXAGON NUT	s/n from 20203200001 -	1	2, 22

N 560XP
CARBURETOR DETAILS



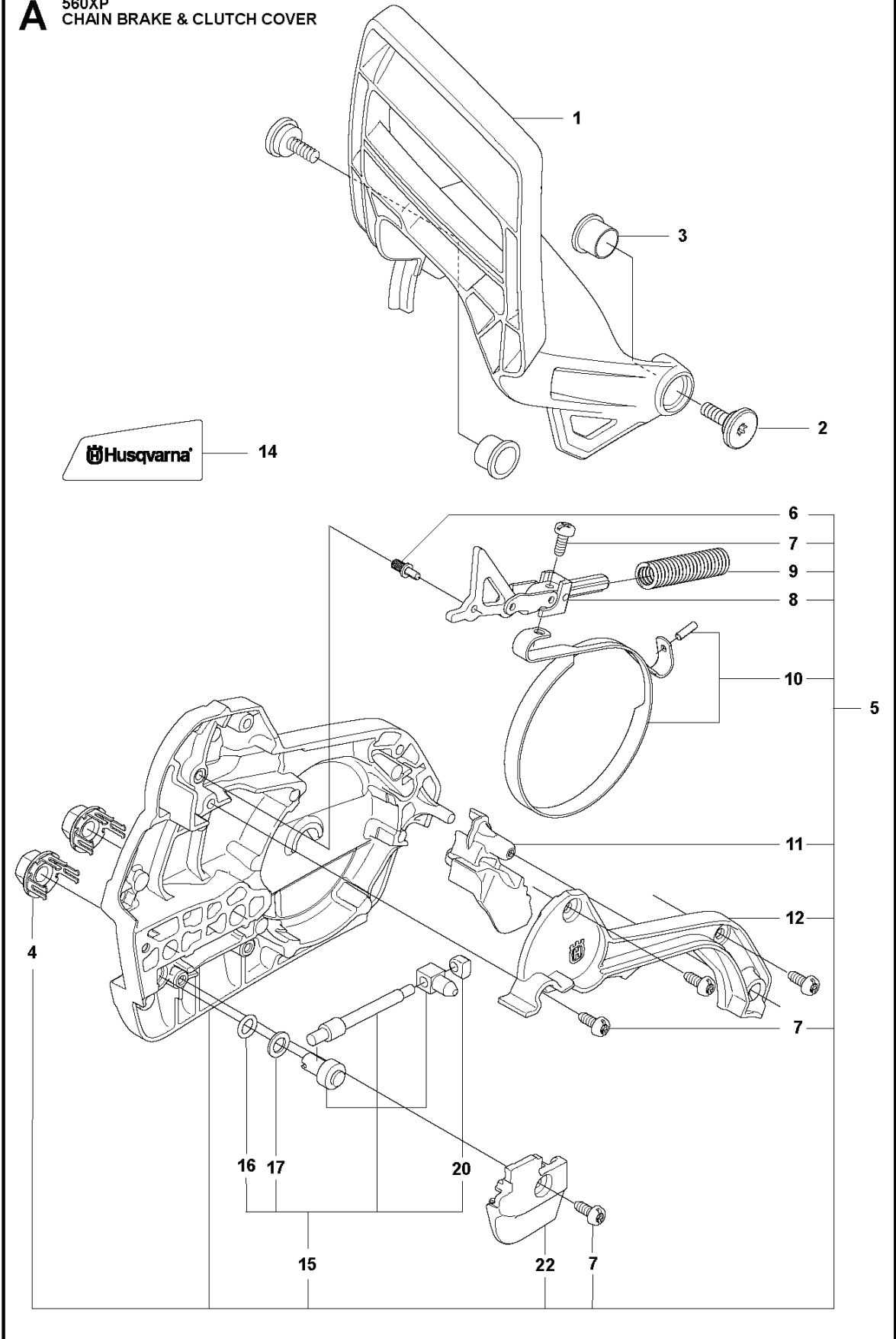
B Set of gaskets — 50

52 — Firmware AutoTune

CHAIN SAWS

PXM_REF	PXM_PARTNO	DESCRIPTION	PXM_REMARK	QTY.	
1	579194101	CARBURETTOR	s/n up to - 20121401172 (ZAMA EL44)	1	
1	501463305	CARBURETTOR KIT	ZAMA140058A	1	
2	522545101	SCREW		4	1
3	522517201	COVER		1	1
4	522517401	DIAPHRAGM		1	1.50
5	522517501	GASKET		1	1.50
6	503479701	VALVE		1	1
7	503665901	LEVER		1	1
8	537383401	SPRING		1	1
9	503480001	PIN RETAINING SCREW		1	1
10	503480101	SCREW		1	1
12	576414201	MAIN NOZZLE		1	1
13	523077201	VALVE	s/n up to - 20121401172 (ZAMA EL44)	1	1
13	578176201	THROTTLE VALVE	s/n 20121401173 - 20141399999 (ZAMA EL46)	1	
13	583974701	THROTTLE VALVE	s/n from 2014140001 - (ZAMA EL48/140055A)	1	
14	522518701	SPRING		1	1
15	522517701	LEVER		1	1
17	503481801	SCREW		3	1
18	504627701	CHOKE VALVE		1	1
19	522518301	SHAFT ASSY		1	1
20	502078401	SCREW		1	1
21	522517801	THROTTLE LEVER		1	1
23	522518501	THROTTLE SHAFT		1	1
24	502078701	SPRING		1	1
25	502079801	COLLAR		1	1
26	503535701	STRAINER		1	1
27	537383101	DIAPHRAGM PUMP		1	1.50
28	537403301	DIAPHRAGM		1	1.50
29	537020101	GASKET		1	1.50
30	575544301	COVER		1	1
31	504026701	CIRCLIP		1	1
32	503479001	SCREW		1	1
33	522517601	CHOKE LEVER		1	1
38	506396601	SCREW		5	1
39	522518101	SCREW		1	1
41	537385201	CLIP		1	1
42	522518001	SCREW		2	1
43	575544401	INLET		1	1
44	522518601	SPRING		1	1
46	537177001	VALVE		1	1
47	522517901	ROD		1	1
48	522518201	SHAFT ASSY		1	1
49	578227801	THROTTLE VALVE ASSY		1	1
50	522518901	KIT	B=set of gaskets	1	
52	.	TBD	Download from your local supportsite	0	

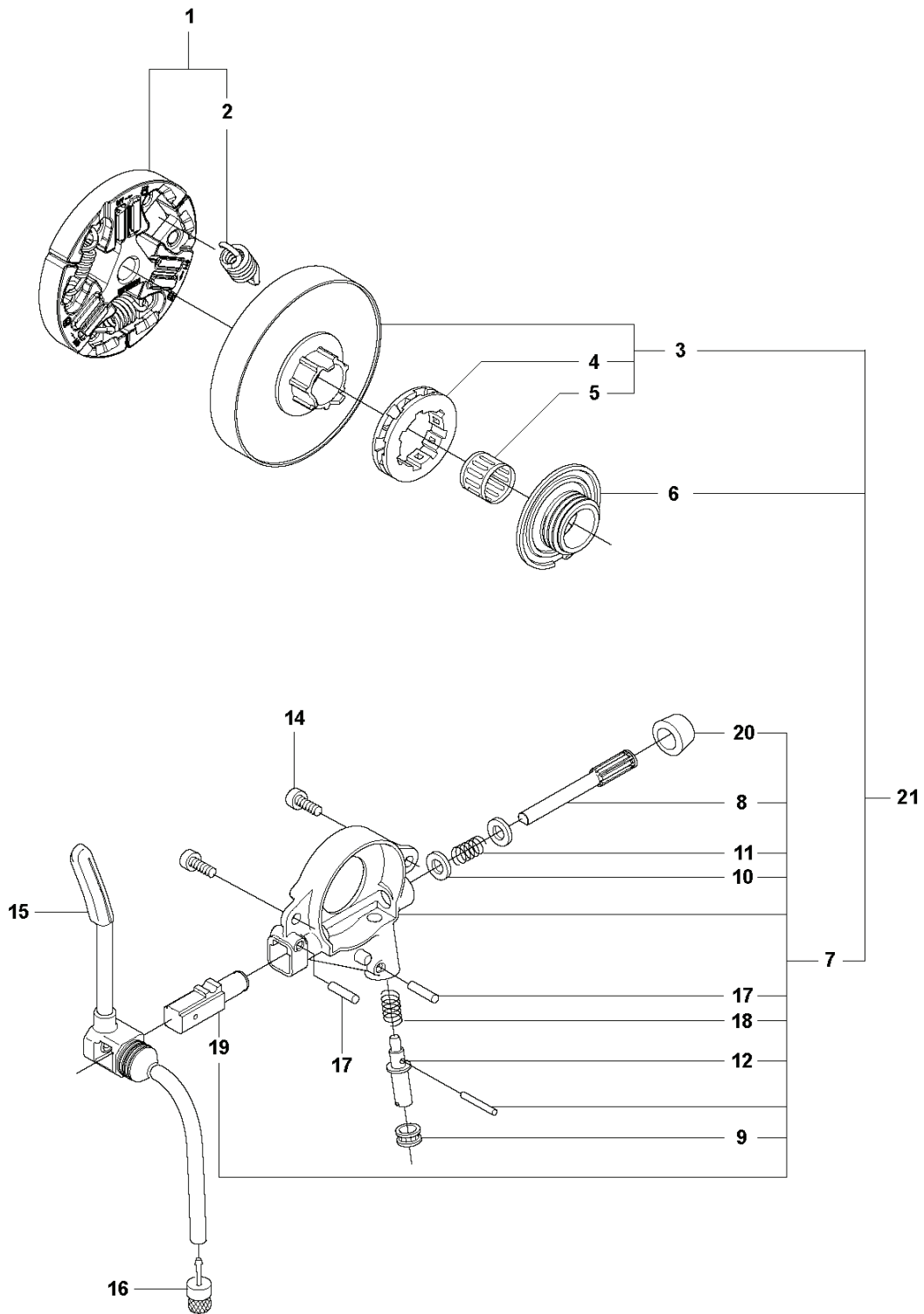
A 560XP
CHAIN BRAKE & CLUTCH COVER



CHAIN SAWS

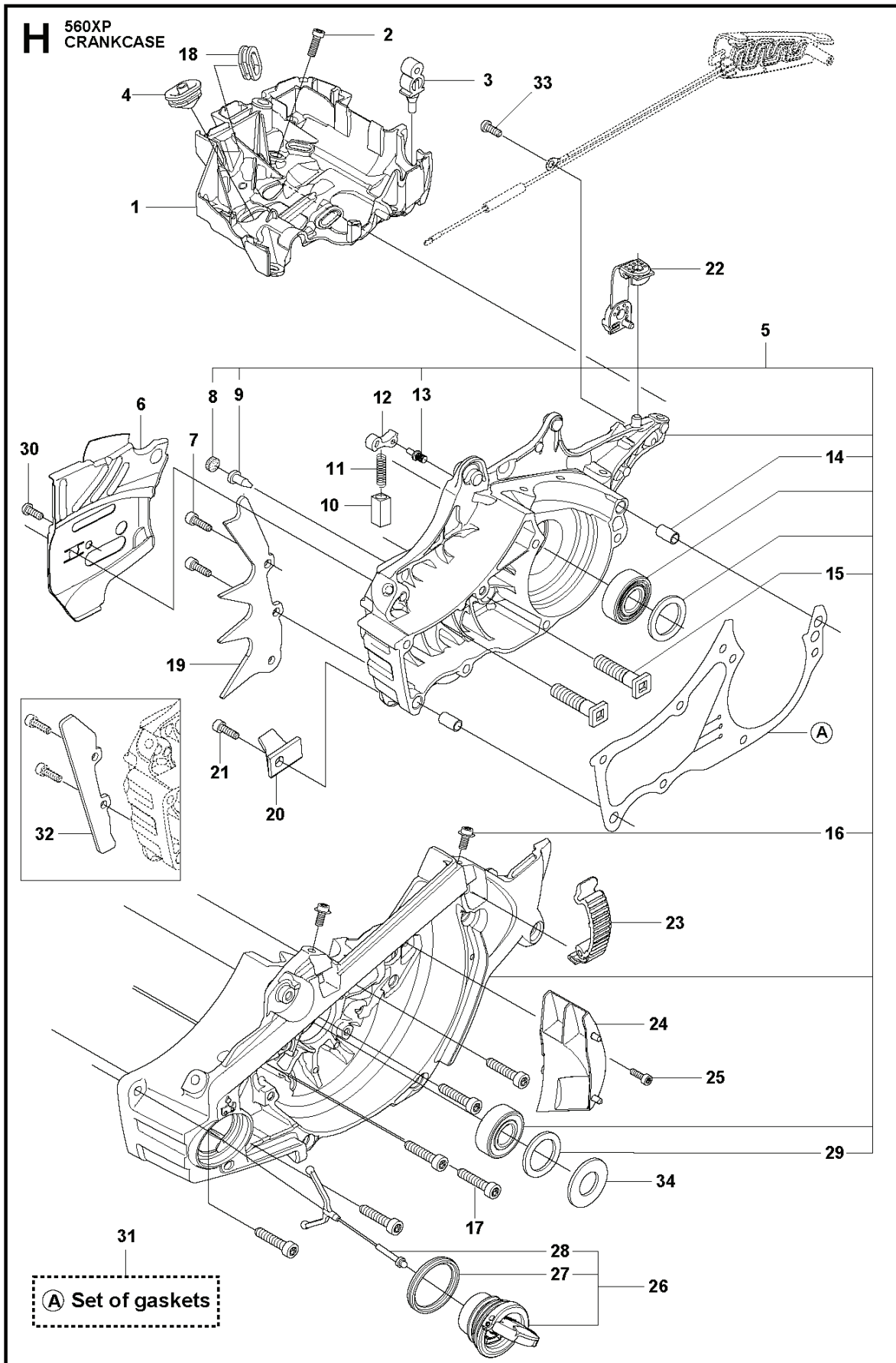
PXM_REF	PXM_PARTNO	DESCRIPTION	PXM_REMARK	QTY.
1	505200902	HAND GUARD		1
2	526834501	SCREW		2
3	577780201	BUSHING		2
4	505197301	NUT		2
5	501846101	CLUTCH COVER ASSY		1
6	503751801	PIN		1 5
7	526221801	SCREW CITXPANT		5 5
8	505199301	KNEE JOINT ASSY		1 5
9	503908301	BRAKE SPRING		1 5
10	505199502	BRAKE BAND ASSY		1 5
11	505201601	GUARD		1 5
12	505199703	COVER		1 5
14	523058001	LABEL	- up to s/n 20202399999	1
15	575260403	CHAIN TENSIONER KIT		1 5
16	740480702	O-RING		1 15,5
17	503230063	WASHER		1 15,5
20	537017401	BEARING SLEEVE		1 15,5
22	505199801	CHAIN GUIDE		1 5

B 560XP
CLUTCH & OIL PUMP



CHAIN SAWS

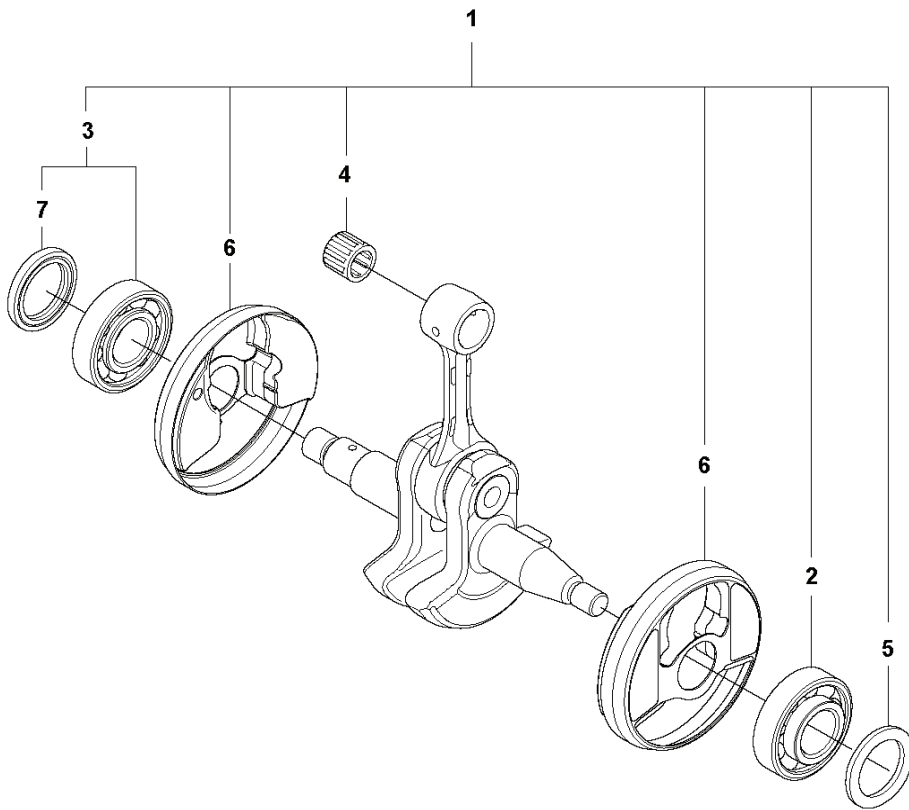
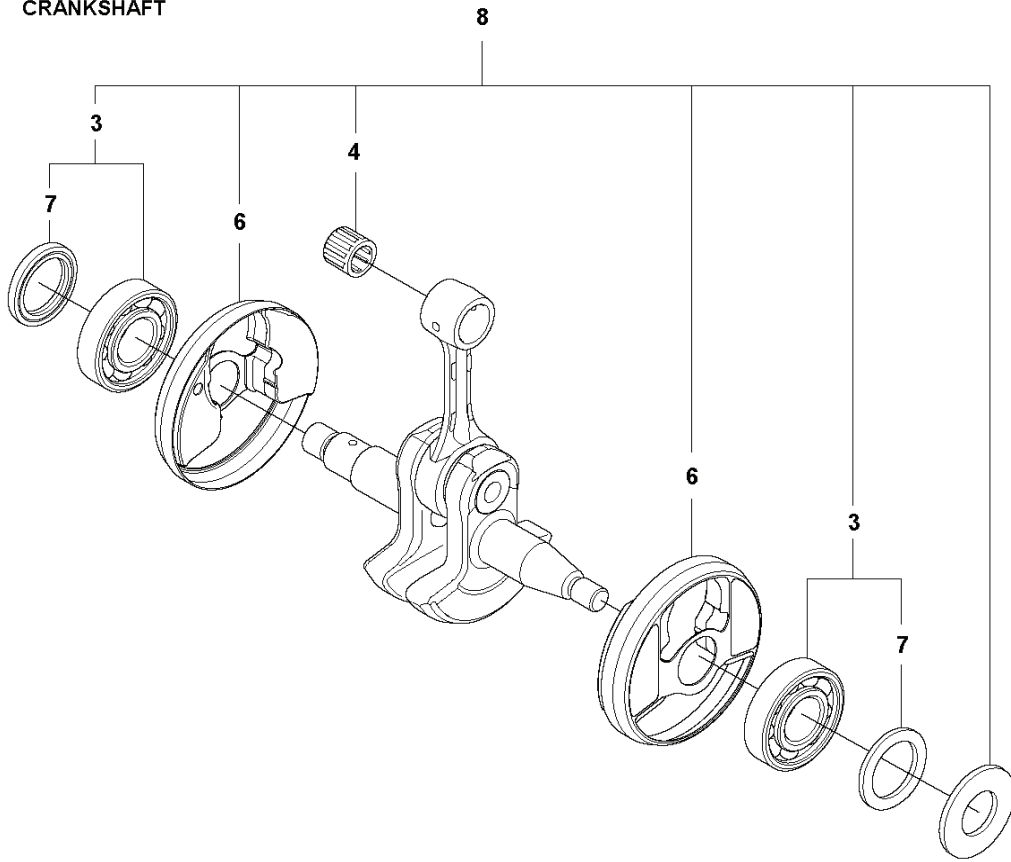
PXM_REF	PXM_PARTNO	DESCRIPTION	PXM_REMARK	QTY.	
1	589809002	CLUTCH ASSY		1	
2	580653502	CLUTCH SPRING	s/n from 20132500001 - up to s/n 20164100192	3	1
2	502164701	CLUTCH SPRING	s/n from 20164100193 -	3	1
3	575261005	CLUTCH DRUM ASSY	- up to s/n 20202200048 -.325"x7"	1	
3	575261007	CLUTCH DRUM ASSY	"s/n from 20202200049 - -.325"x7"	1	21
3	575261008	CLUTCH DRUM ASSY	"s/n from 20202200049 - -3/8"x7"	1	21
3	575261006	CLUTCH DRUM	- up to s/n 20202200048 -3/8"x7"	1	
4	501457402	RIM	".325"x7"	1	3
4	501598002	RIM	"3/8"x7"	1	3
5	503253401	NEEDLE BEARING		1	3
6	586201701	WORM WHEEL	"s/n from 20202200049 - -.325"*****	1	21
6	587633001	WORM WHEEL	"s/n from 20202200049 - -3/8"*****	1	21
6	505200801	WORM WHEEL	- up to s/n 20202200048	1	
7	505199908	OIL PUMP ASSY		1	21
8	505200202	PUMP PISTON		1	7
9	505200301	CASING		1	7
10	503230060	WASHER		2	7
11	503891601	SPRING		1	7
12	505157001	ADJUSTMENT SCREW		1	7
14	526818102	SCREW ITXSCM		2	
15	505200401	OIL HOSE		1	
16	504710003	OIL PLUMMET		1	
17	720123300	PARALLEL PIN		2	7
18	503891501	SPRING		1	7
19	505200101	PUMP CYLINDER		1	7
20	503624902	SEALING PLUG		1	7
21	598937702	CLUTCH DRUM ASSY	s/n from 20202200049 - -3/8"	1	
21	598937701	CLUTCH DRUM ASSY	s/n from 20202200049 - -.325"	1	



CHAIN SAWS

PXM_REF	PXM_PARTNO	DESCRIPTION	PXM_REMARK	QTY.
1	588193901	CARBURETTOR AREA BASE		1
2	525755202	SCREW ITXSCFM		4
3	503869301	SUPPORT		2
4	581559201	BELLOWS		1
5	575380222	CRANKCASE ASSY		1
6	505201101	CHAIN GUIDE PLATE		1
7	575793501	SCREW ITXPANM		2
8	537403501	FILTER		1 5
9	530026119	CHECK VALVE		1 5
10	537210701	SPRING GUIDE		1
11	503436501	POSITION SPRING		1
12	505201201	CATCH		1
13	503751801	PIN		1 5
14	593806001	GUIDE BUSHING		2 5
15	505217301	BAR BOLT		2 5
16	525824401	SCREW ITXSCM		2 5
17	575841104	SCREW ITXSCM		6
18	537088301	GROMMET		1
19	577935201	SPIKE		1
20	537377902	CHAIN CATCHER		1
21	525798103	SCREW ITXSCFT		1
22	505125801	DEFLECTION LIMITER		1
23	503894703	SNAP LOCKING		3
24	588065501	AIR NOZZLE		1
25	526818101	SCREW ITXSCM		1
26	522620003	TANK CAP ASSY		1
27	589241101	GASKET		1 26
28	503578901	HOLDER		1 26
29	525391201	RADIAL SEAL	- up to s/n 20202399999	1 5
30	525887401	SCREW CITXPANT		1
31	575270003	GASKET KIT	A=set of gaskets	1
32	525347601	BUMPER		1
33	526221801	SCREW CITXPANT		1
34	596911301	PROTECTIVE CAP	s/n from 20202400001 -	1

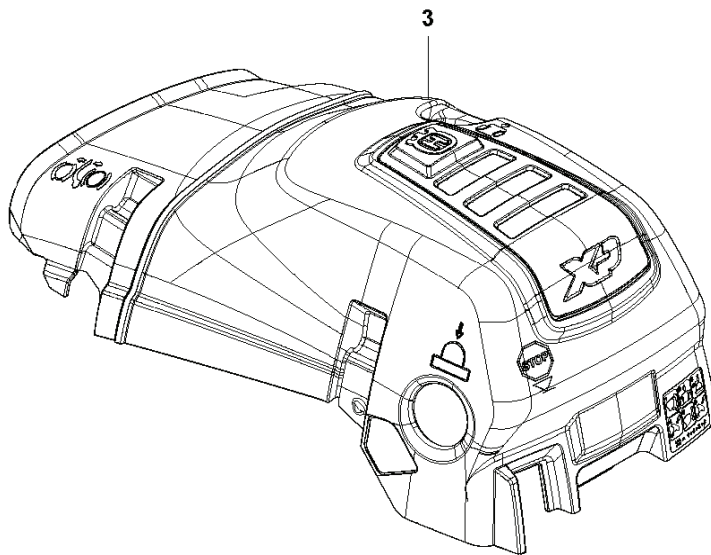
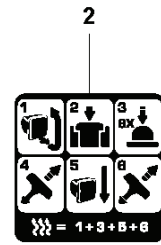
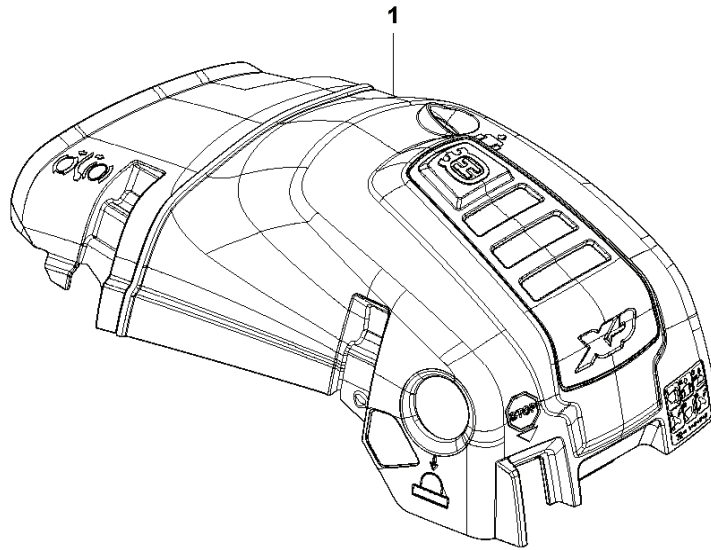
E 560XP
CRANKSHAFT



CHAIN SAWS

PXM_REF	PXM_PARTNO	DESCRIPTION	PXM_REMARK	QTY.
1	575545213	CRANKSHAFT ASSY	- up to s/n 20202399999	1
2	505133504	BALL BEARING	- up to s/n 20202399999	1
3	525434204	BALL BEARING		2
4	503256302	NEEDLE BEARING		1
5	525391201	RADIAL SEAL	- up to s/n 20202399999	1
6	505133601	CUP		2
7	505416101	RADIAL SEAL		1
8	575545217	CRANKSHAFT ASSY	s/n from 20202400001 -	1

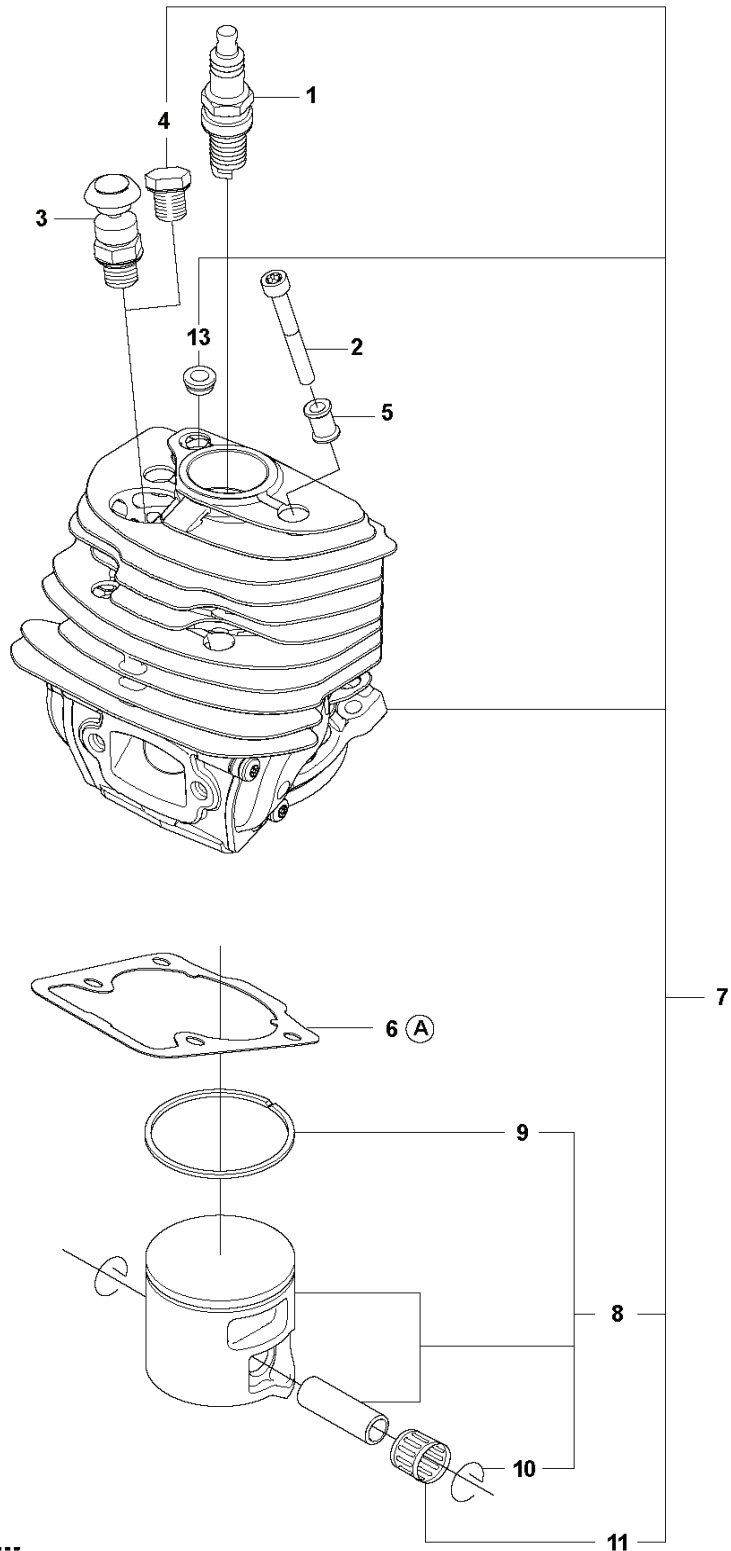
C 560XP/XPG
CYLINDER COVER



CHAIN SAWS

PXM_REF	PXM_PARTNO	DESCRIPTION	PXM_REMARK	QTY.
1	587248503	CYLINDER COVER ASSY	s/n up to - 20203199999	1
2	587149501	LABEL		1.3
3	587248702	CYLINDER COVER ASSY	s/n from 20203200001 -	1

D 560XP
CYLINDER PISTON

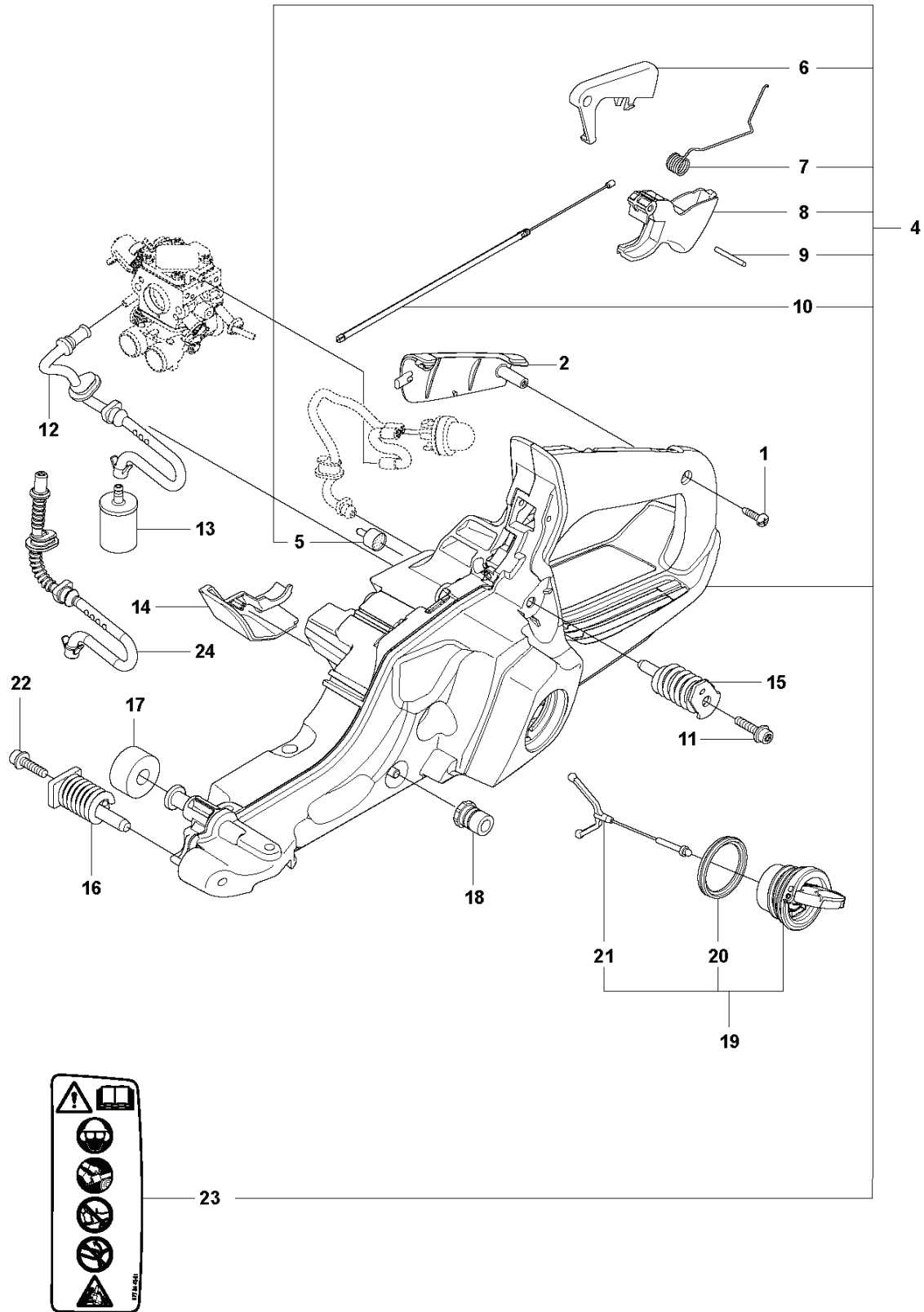


(A) Set of gaskets

CHAIN SAWS

PXM_REF	PXM_PARTNO	DESCRIPTION	PXM_REMARK	QTY.
1	574519601	SPARK PLUG		1
2	582392701	SCREW		4
3	575276901	DECOMPRESSION VALVE		1
4	503552201	PLUG		1
5	576717602	SLEEVE		4
6	510164901	GASKET		1 12
7	575355805	CYLINDER ASSY		1
8	584807806	PISTON ASSY		1 7
9	505215701	PISTON RING		1 8.7
10	737441000	SNAP RING		2 8.7
11	503256302	NEEDLE BEARING		1 7
12	575270003	GASKET KIT	A=set of gaskets	1
13	520291101	BUSHING		0 7

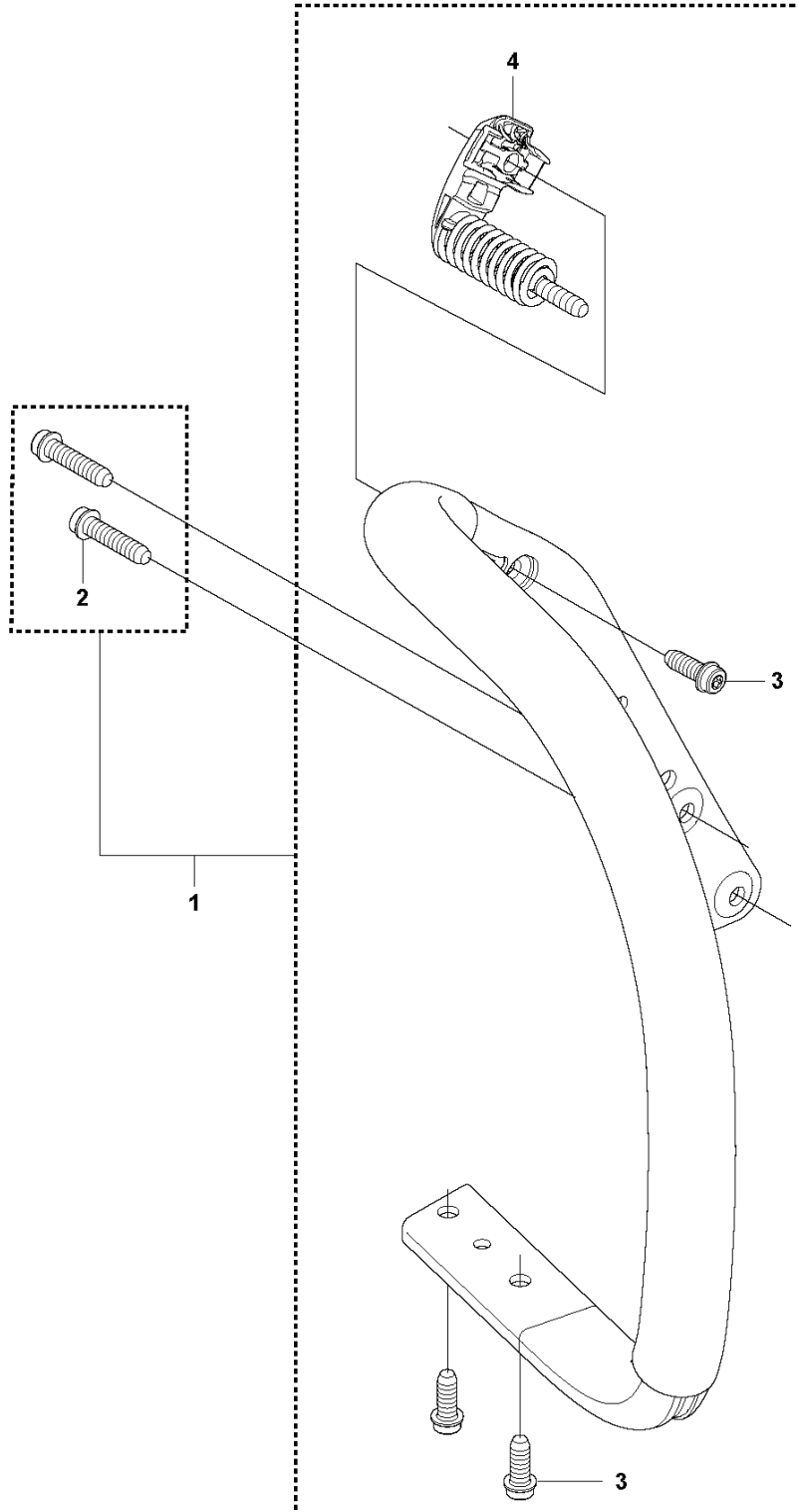
J 560XP
FUEL TANK



CHAIN SAWS

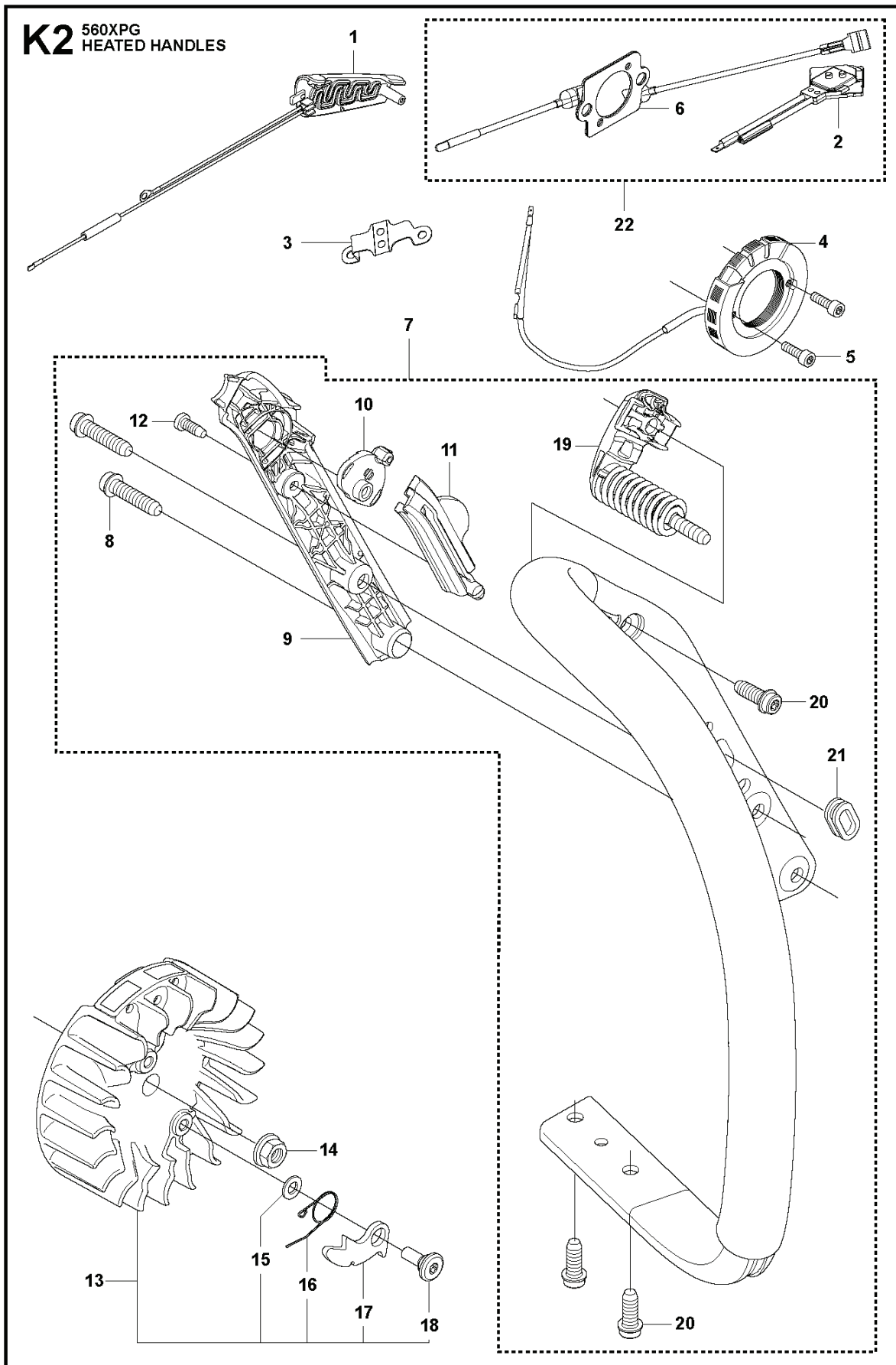
PXM_REF	PXM_PARTNO	DESCRIPTION	PXM_REMARK	QTY.
1	525887402	SCREW CITXPANT		1
2	504106301	HANDLE INSERT		1
4	575382205	FUEL TANK ASSY		1
5	501152901	TANK VENT ASSY		1 4
6	544099801	THROTTLE LOCKOUT		1 4
7	544099901	SPRING		1 4
8	505157701	THROTTLE		1 4
9	720182520	PARALLEL PIN		1 4
10	521887901	THROTTLE CABLE ASSY		1 4
11	525798102	SCREW ITXSCFT		1
12	573993503	FUEL HOSE		1
13	503443203	FUEL FILTER	18-40 µm (Blue)	1
14	505165901	COVER		1
15	586312103	ANTIVIBRATION ELEMENT		1
16	505128702	ANTIVIBRATION ELEMENT		1
17	523085501	DEFLECTION LIMITER		1
18	501007601	SUPPORT		1
19	522620003	TANK CAP ASSY		1
20	589241101	GASKET		1 19
21	503578901	HOLDER		1 19
22	525798103	SCREW ITXSCFT		1
23	577844301	DECAL		1 4
24	577504101	FUEL HOSE	From s/n 20161000481 -	1

K1 560XP
HANDLES



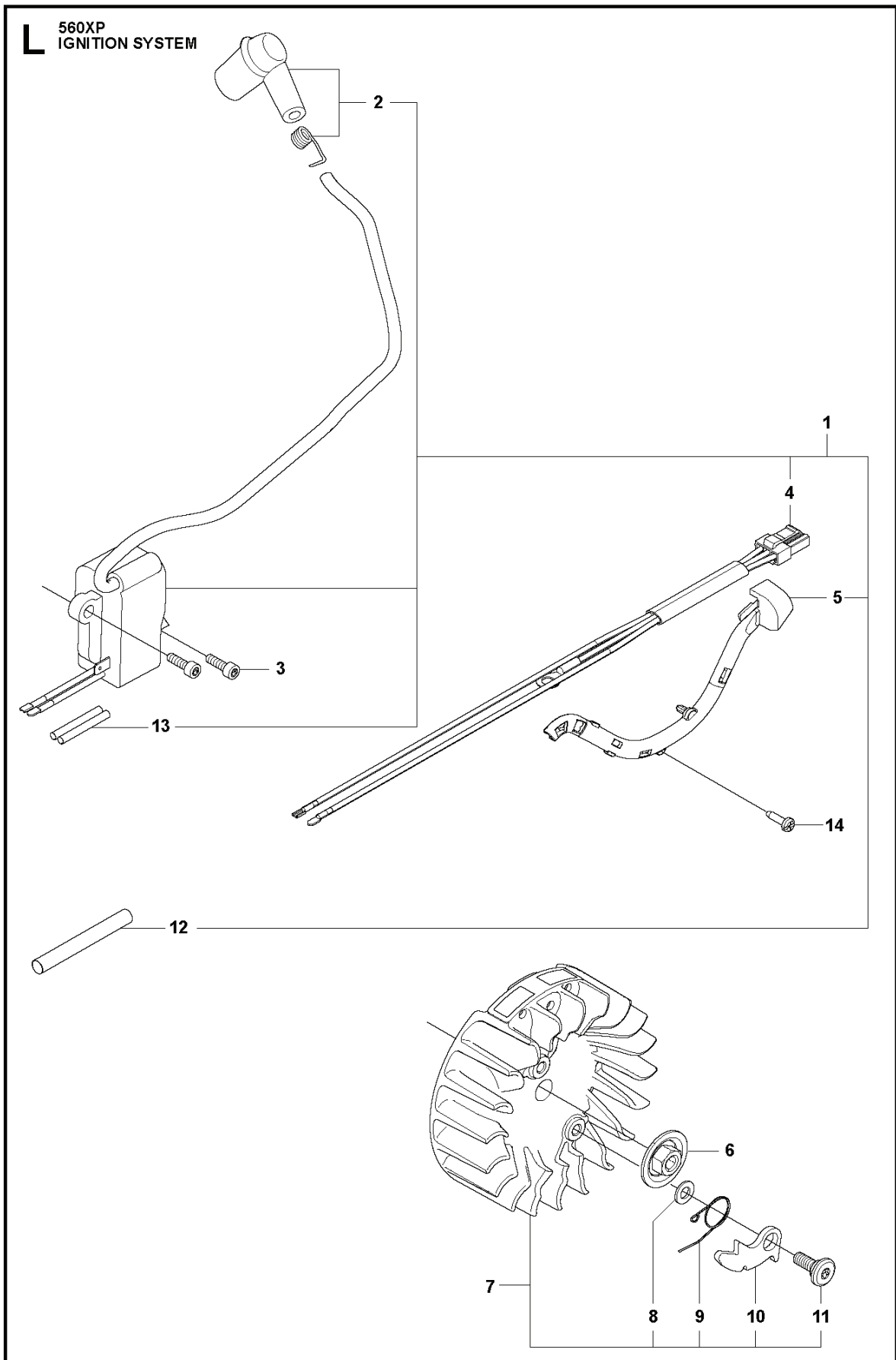
CHAIN SAWS

PXM_REF	PXM_PARTNO	DESCRIPTION	PXM_REMARK	QTY.	
1	575388903	FRONT HANDLE		1	
2	525798103	SCREW ITXSCFT		2	1
3	525798101	SCREW ITXSCFT		3	1
4	505129705	ANTIVIBRATION ELEMENT		1	1



CHAIN SAWS

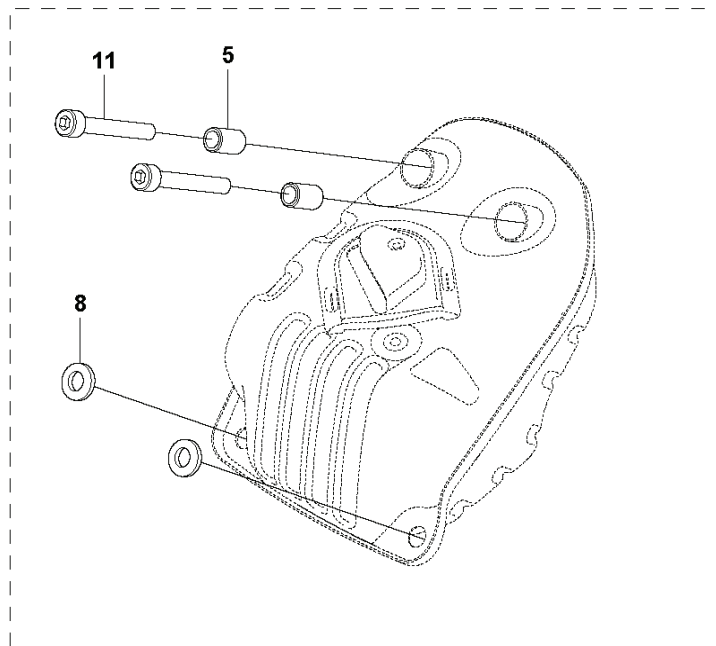
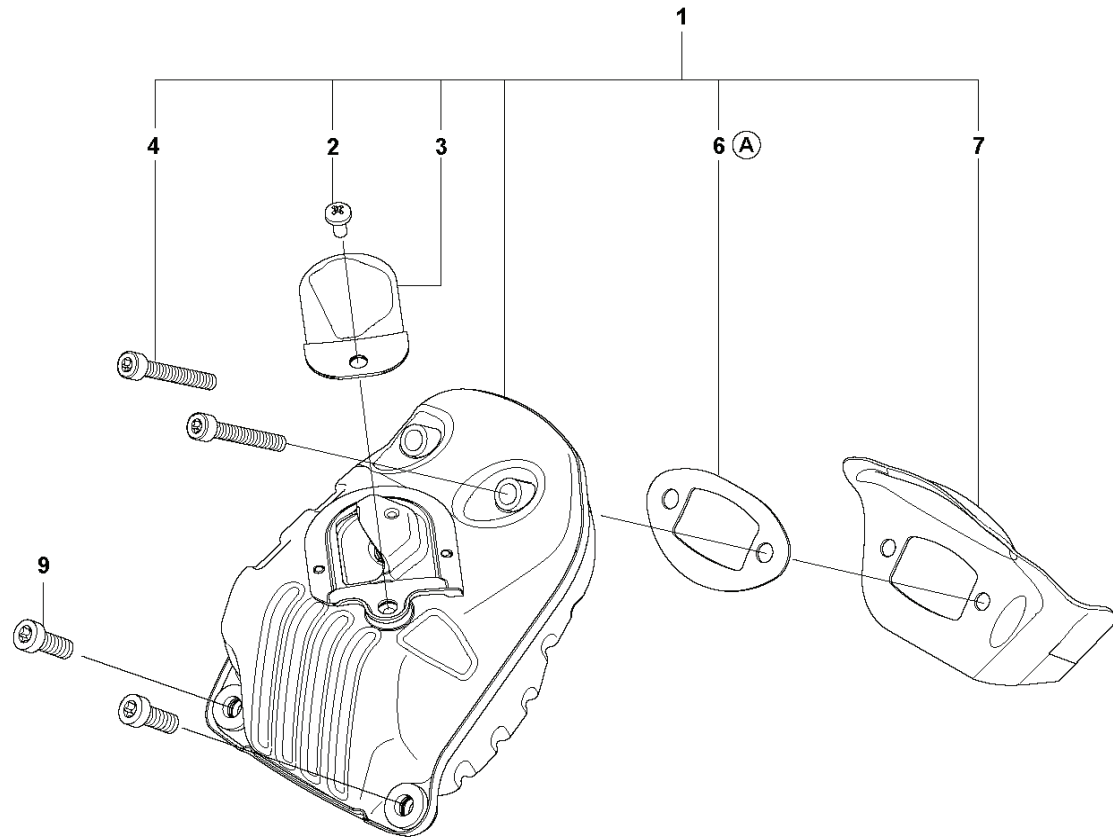
PXM_REF	PXM_PARTNO	DESCRIPTION	PXM_REMARK	QTY.
1	522741901	HANDLE INSERT		1
2	578864601	THERMOSTAT ASSY		1 22
3	537210801	RETAINER		1
4	522611401	GENERATOR STATOR		1
5	526818102	SCREW ITXSCM		2
6	588168602	FOIL ELEMENT		1 22
7	575388904	FRONT HANDLE		1
8	525798103	SCREW ITXSCFT		2 7
9	505157403	COVER		1 7
10	537252501	CONTACT PLATE		1 7
11	510097801	CONTACT PLATE		1 7
12	525887402	SCREW CITXPANT		1 7
13	504872404	FLYWHEEL ASSY		1
14	503220401	NUT		1
15	503230042	WASHER		2 13
16	501673501	SPRING		2 13
17	501673201	PAWL		2 13
18	506006901	SCREW		2 13
19	505129705	ANTIVIBRATION ELEMENT		1 7
20	525798101	SCREW ITXSCFT		3 7
21	537088301	GROMMET		1 7
22	582829601	THERMOSTAT ASSY	s/n up to 20164199999	1



CHAIN SAWS

PXM_REF	PXM_PARTNO	DESCRIPTION	PXM_REMARK	QTY.	
1	522795106	IGNITION MODULE ASSY	s/n up to - 20121401172 (14MHz)	1	
1	581723402	IGNITION MODULE ASSY	s/n from 20121401173 - (8MHz)	1	
2	501485404	SPARK PLUG CAP ASSY		1	1
3	525755203	SCREW ITXSCFM		2	
4	575430601	WIRING ASSY	s/n up to - 20121401172 (14MHz)	1	
4	577967601	WIRING ASSY	s/n from 20121401173 - (8MHz)	1	1
5	505178201	CABLE HOLDER		1	1
6	585321801	NUT		1	
7	504872403	FLYWHEEL ASSY	XP	1	
7	504872404	FLYWHEEL ASSY	XPG	1	
8	503230042	WASHER		2	7
9	501673501	SPRING		2	7
10	501673201	PAWL		2	7
11	506006901	SCREW		2	7
12	504043505	CABLE COVER		1	1
13	503238501	SHRINKAGE HOSE		2	1
14	525887401	SCREW CITXPANT		1	

F 560XP
MUFFLER



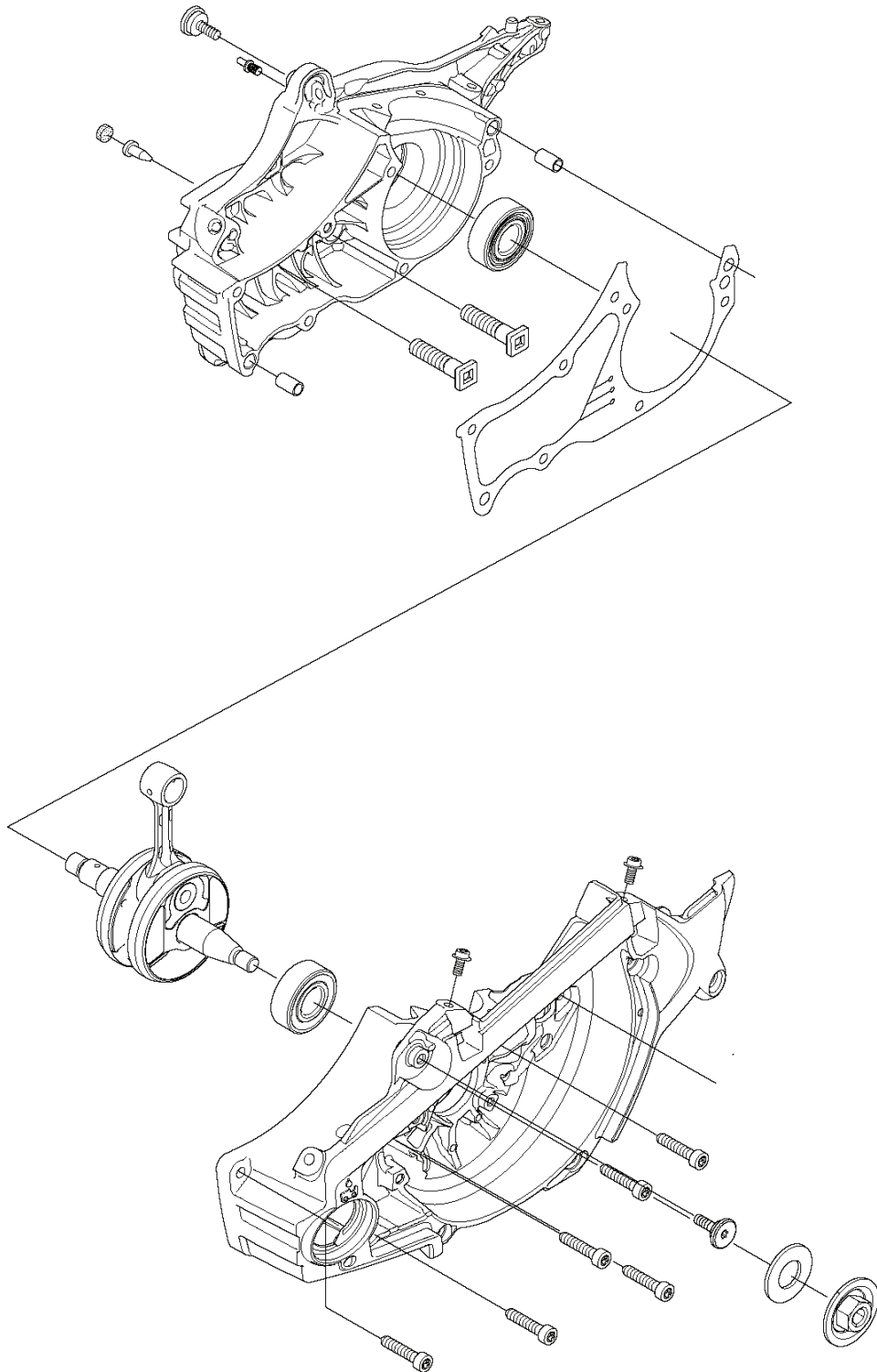
10
(A) Set of gaskets

CHAIN SAWS

PXM_REF	PXM_PARTNO	DESCRIPTION	PXM_REMARK	QTY.
1	581914802	MUFFLER KIT		1
2	724128759	SCREW CRPANM		1 1
3	505171301	SPARK ARRESTER		1 1
4	525825106	SCREW ITXSCM	s/n from 20132500001 -	2 1
5	577656301	SLEEVE	s/n up to - 20132499999	2
6	581918501	GASKET		1 1, 10
7	585178701	HEAT DEFLECTOR		1 1
8	577902201	WASHER	s/n up to - 20132499999	2
9	525762501	SCREW ITXSCM		2
10	575270003	GASKET KIT	A=set of gaskets	1
11	725537655	SCREW IHSCM	s/n up to - 20132499999	2

H2 560XP
CRANKCASE SHORT BLOCK

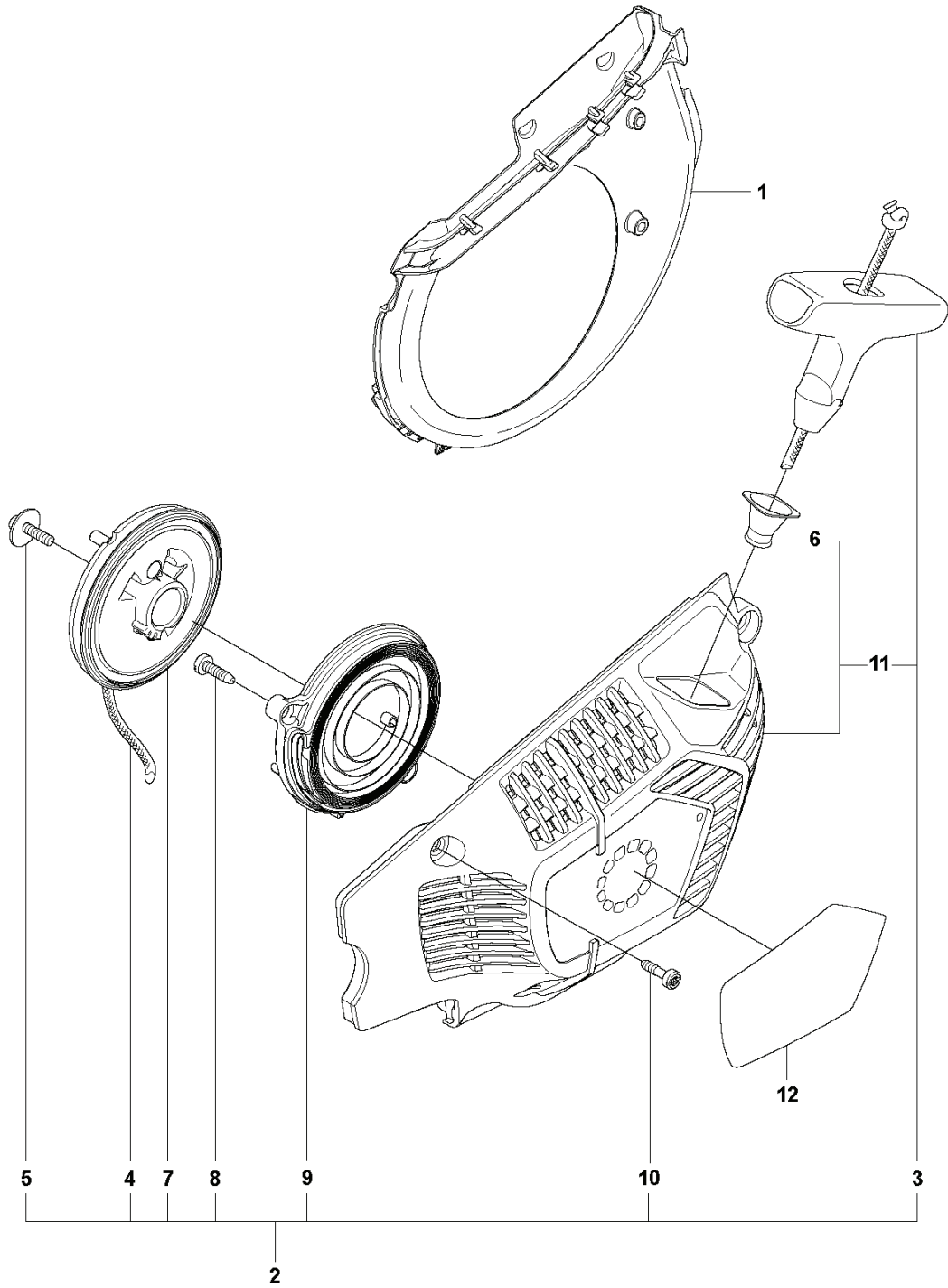
1



CHAIN SAWS

PXM_REF	PXM_PARTNO	DESCRIPTION	PXM_REMARK	QTY.
1	580663711	SHORT BLOCK		1

M 560XP
STARTER



CHAIN SAWS

PXM_REF	PXM_PARTNO	DESCRIPTION	PXM_REMARK	QTY.
1	505157501	AIR CONDUCTOR		1
2	505159204	STARTER ASSY		1
3	537232501	STARTER HANDLE		1 2
4	505305125	STARTER ROPE		1 2
5	576356601	SCREW ITXSCT		1 2
6	537283201	SLEEVE		1 2, 11
7	505158101	STARTER PULLEY ASSY		1 2
8	525887401	SCREW CITXPANT		2 2
9	505157902	SPRING CASSETTE ASSY		1 2
10	525824501	SCREW CITXPANMO		4 2
11	505159102	STARTER HOUSING		1 2
12	523035603	LABEL	XP	1
12	523035604	LABEL	XPG	1