

HUSQVARNA - SPARE PARTS CATALOGUE
CHAIN SAWS: HUSQVARNA 550 XP® MARK II

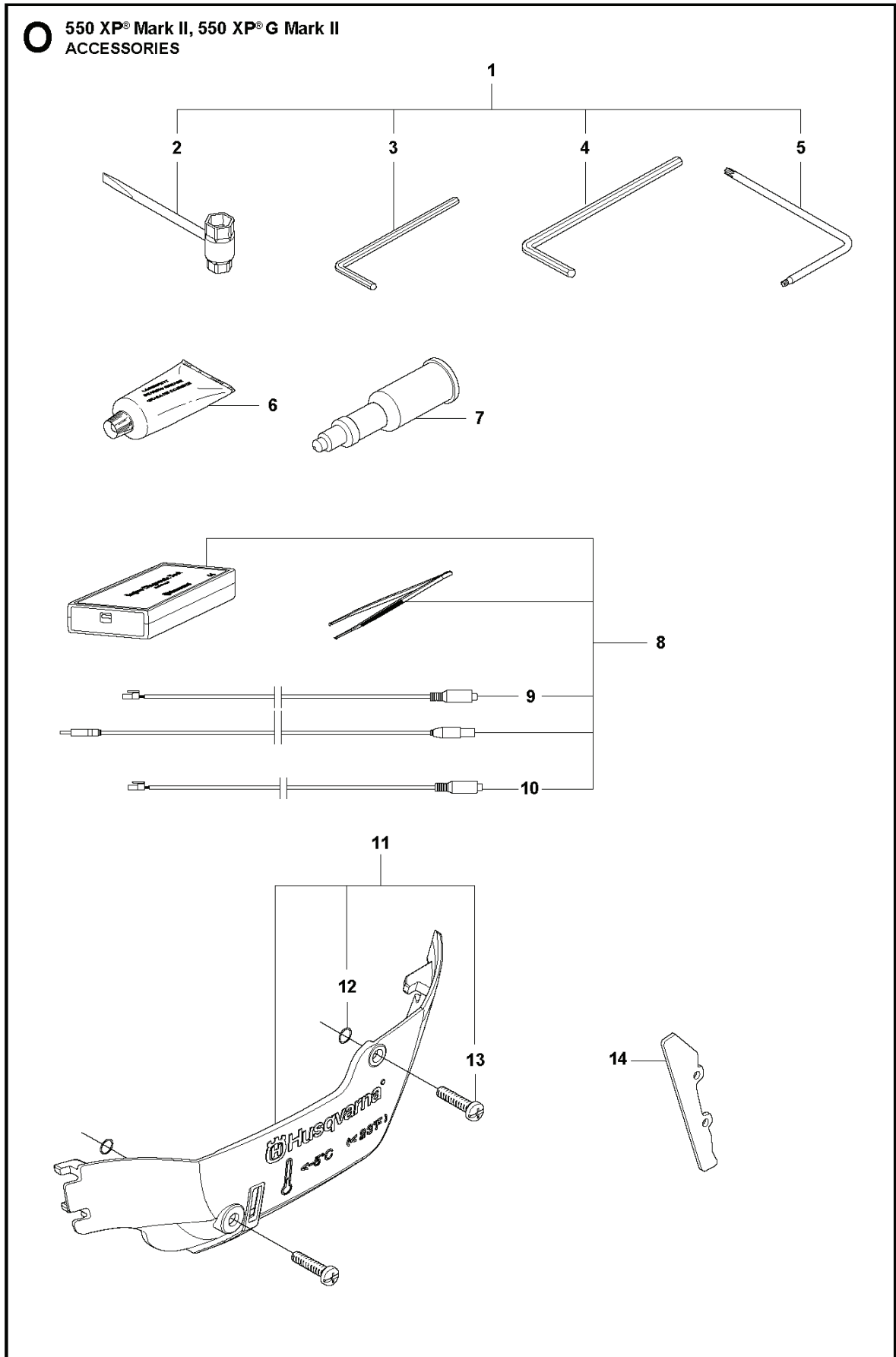
Spare parts list

SPARE PARTS LIST

CHAIN SAWS

HUSQVARNA 550 XP[®] MARK II

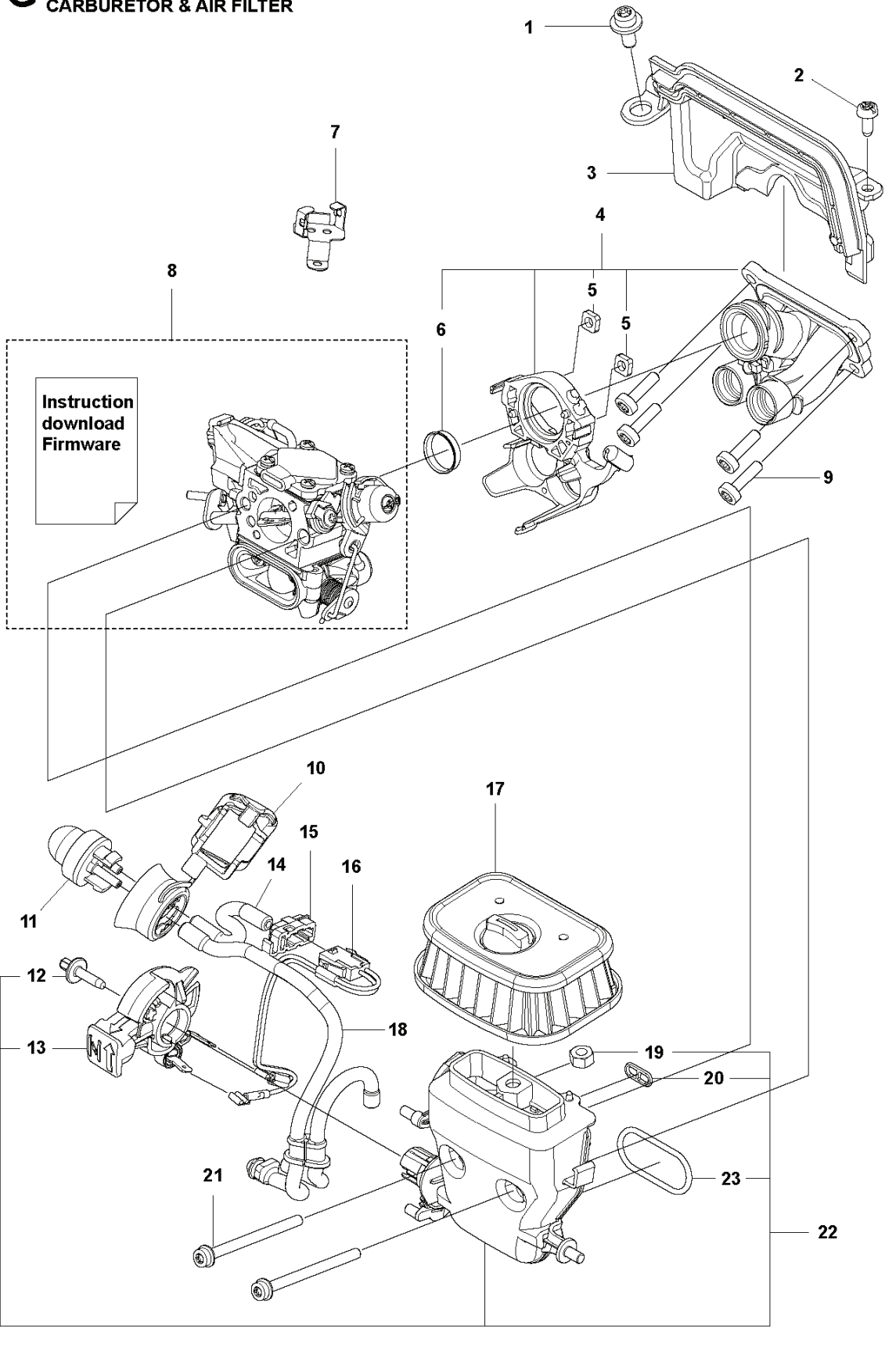
**550 XP[®] Mark II, 550 XP[®] G Mark II
ACCESSORIES**



CHAIN SAWS

PXM_REF	PXM_PARTNO	DESCRIPTION	PXM_REMARK	QTY.
1	503558511	TOOL		1
2	522521101	COMBINATION WRENCH		1 1
3	502215801	WRENCH		1 1
4	503558602	SPANNER		1 1
5	575880701	WRENCH		1 1
6	503621201	GREASE		1
7	501911401	GREASE GUN		1
8	583897101	DIAGNOSTIC TOOL KIT		1
9	576183401	CABLE ASSY		1 8
10	576952201	CABLE ASSY		1 8
11	595967601	WINTER KIT		1
12	740420100	O-RING		2 11
13	503217016	SCREW CCRPANT		1 11
14	594745301	BUMPER		1

G 550 XP® Mark II, 550 XP® G Mark II
CARBURETOR & AIR FILTER

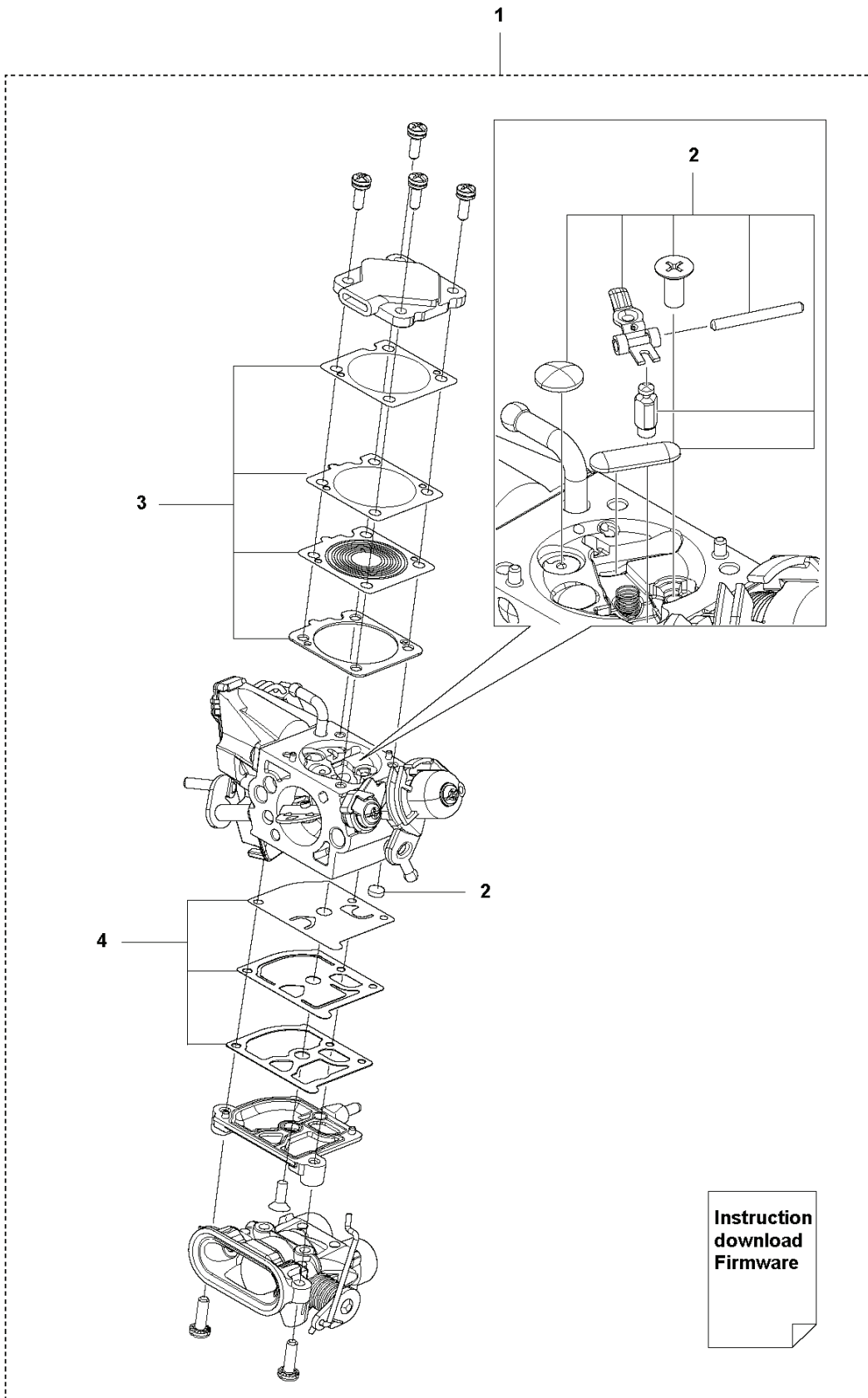


CHAIN SAWS

PXM_REF	PXM_PARTNO	DESCRIPTION	PXM_REMARK	QTY.
1	525824401	SCREW ITXSCM		1
2	526221801	SCREW CITXPANT		1
3	589584501	INSULATION WALL		1
4	593784901	INLET PIPE ASSY		1
5	503226503	SQUARE NUT		2 4
6	585195001	SUPPORT SLEEVE		1 4
7	589340601	RETAINER		1
8	596219201	CARBURETTOR KIT		1
9	526818101	SCREW ITXSCM		4
10	525588101	SEALING		1
11	503936601	PURGE		1
12	505156201	SCREW		1 22
13	510017202	CHOKE CONTROL ASSY		1 22
14	523056801	FUEL HOSE		1
15	589340701	CONTACT CLAMP		1
16	577536402	WIRING ASSY		1
17	590458802	AIR FILTER	Yellow, Mesh 25 microns	1
17	590458801	AIR FILTER	Black, Mesh 64 microns	1
17	590458803	AIR FILTER ASSY	Nature, Non woven	1
18	525344303	FUEL HOSE		1
19	731231401	HEXAGON NUT		1 22
20	525619201	SEALING		1 22
21	581143101	SCREW ITXSCFM		2
22	589550701	FILTER HOLDER ASSY	Black	1
23	525619001	SEALING		1 22

N 550 XP® Mark II, 550 XP® G Mark II
CARBURETOR DETAILS

AT-16

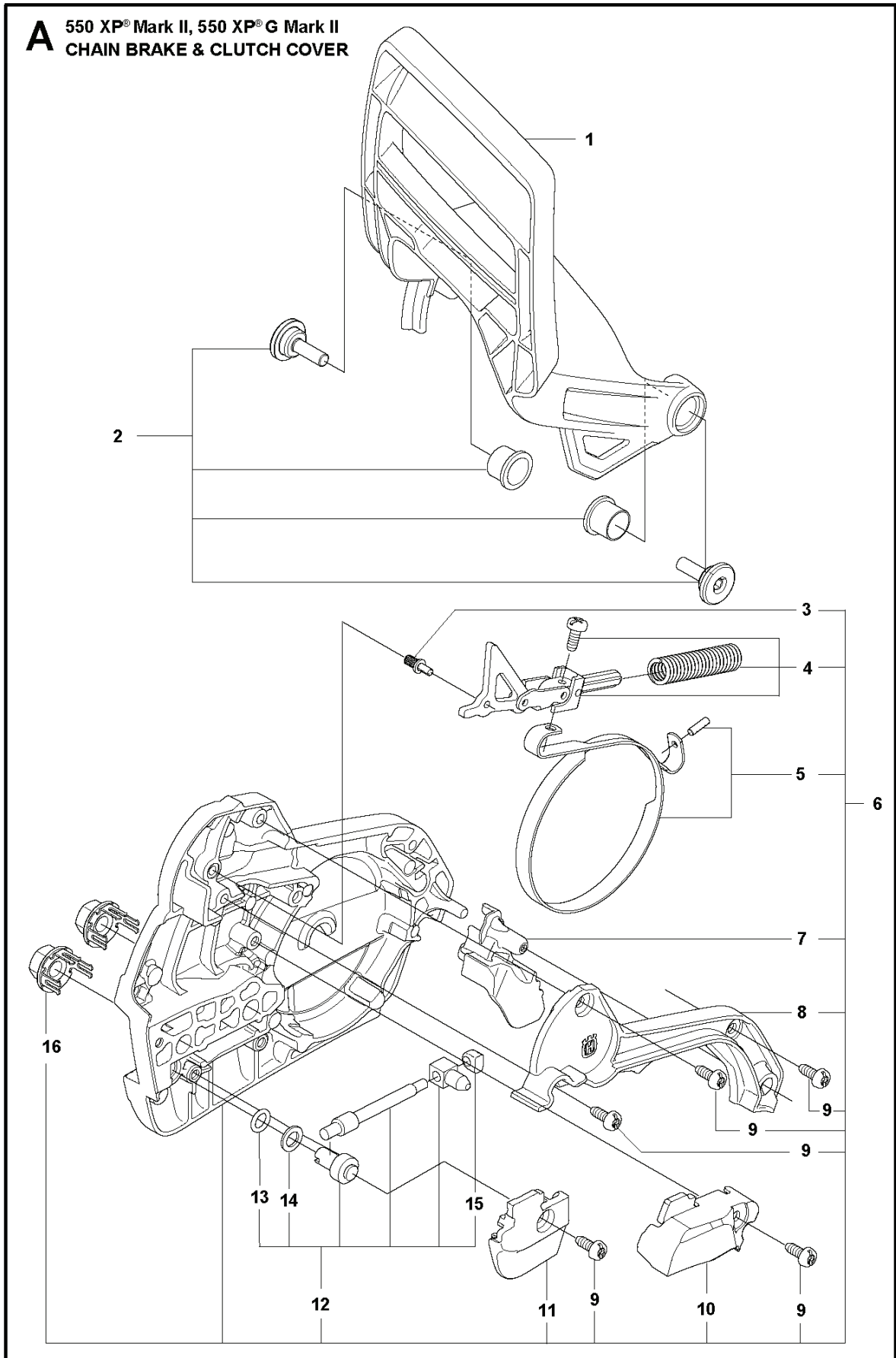


Instruction
download
Firmware

CHAIN SAWS

PXM_REF	PXM_PARTNO	DESCRIPTION	PXM_REMARK	QTY.
1	596219201	CARBURETTOR KIT	AT-16	1
2	582366201	REPAIR KIT		1 1
3	582366401	GASKET KIT		1 1
4	596969201	GASKET KIT		1 1
.	TBD		Download firmware from CST	0

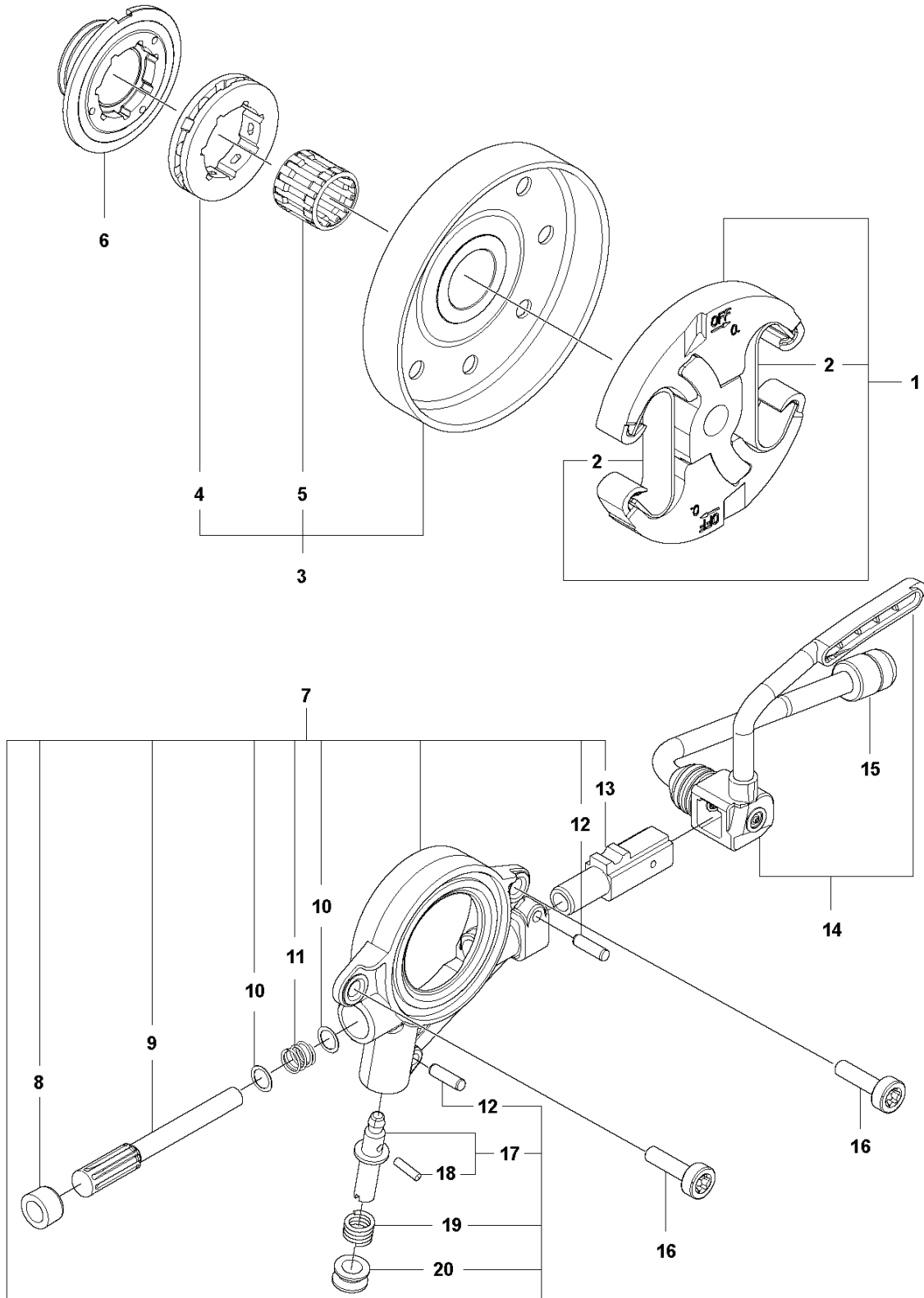
A 550 XP® Mark II, 550 XP® G Mark II
CHAIN BRAKE & CLUTCH COVER



CHAIN SAWS

PXM_REF	PXM_PARTNO	DESCRIPTION	PXM_REMARK	QTY.
1	591083601	HAND GUARD		1
2	596218201	SCREW KIT		1
3	503751801	PIN		1 6
4	596218101	KNEE JOINT ASSY		1 6
5	505199502	BRAKE BAND ASSY		1 6
6	501846101	CLUTCH COVER ASSY		1
7	505201601	GUARD		1 6
8	505199703	COVER		1 6
9	526221801	SCREW CITXPANT		5 6
10	592975201	CHAIN GUIDE		1 6
11	505199801	CHAIN GUIDE		1 6
12	575260403	CHAIN TENSIONER KIT		1 6
13	740480702	O-RING		1 6.12
14	503230063	WASHER		1 6.12
15	537017401	BEARING SLEEVE		1 6.12
16	505197301	NUT		2 6

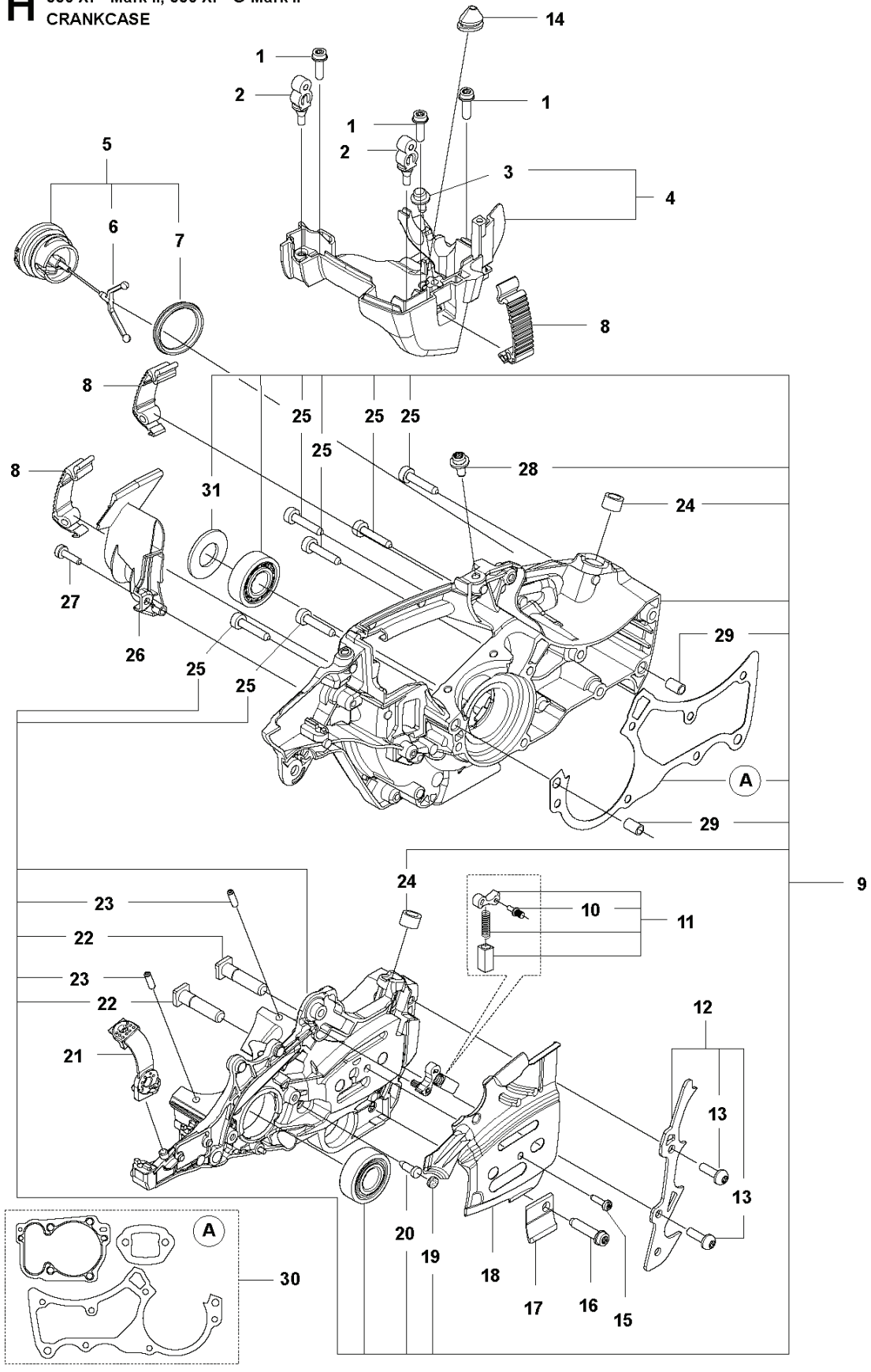
B 550 XP® Mark II, 550 XP® G Mark II
CLUTCH & OIL PUMP



CHAIN SAWS

PXM_REF	PXM_PARTNO	DESCRIPTION	PXM_REMARK	QTY.
1	577518202	CLUTCH ASSY		1
2	537359101	CLUTCH SPRING		2 1
3	596218301	CLUTCH DRUM ASSY		1
4	501457402	RIM		1 3
5	503255201	NEEDLE BEARING		1 3
6	582814001	WORM WHEEL		1
7	505199911	OIL PUMP ASSY		1
8	503624901	SEALING PLUG		1 7
9	505200204	PUMP PISTON		1 7
10	503230060	WASHER		1 7
11	503891601	SPRING		1 7
12	720123300	PARALLEL PIN		2 7
13	505200101	PUMP CYLINDER		1 7
14	505200401	OIL HOSE		1
15	504710003	OIL PLUMMET		1 14
16	526818101	SCREW ITXSCM		2
17	505157001	ADJUSTMENT SCREW		1 7
18	721116430	GROOVED PIN		1 17,7
19	503891501	SPRING		1 7
20	505200301	CASING		1 7

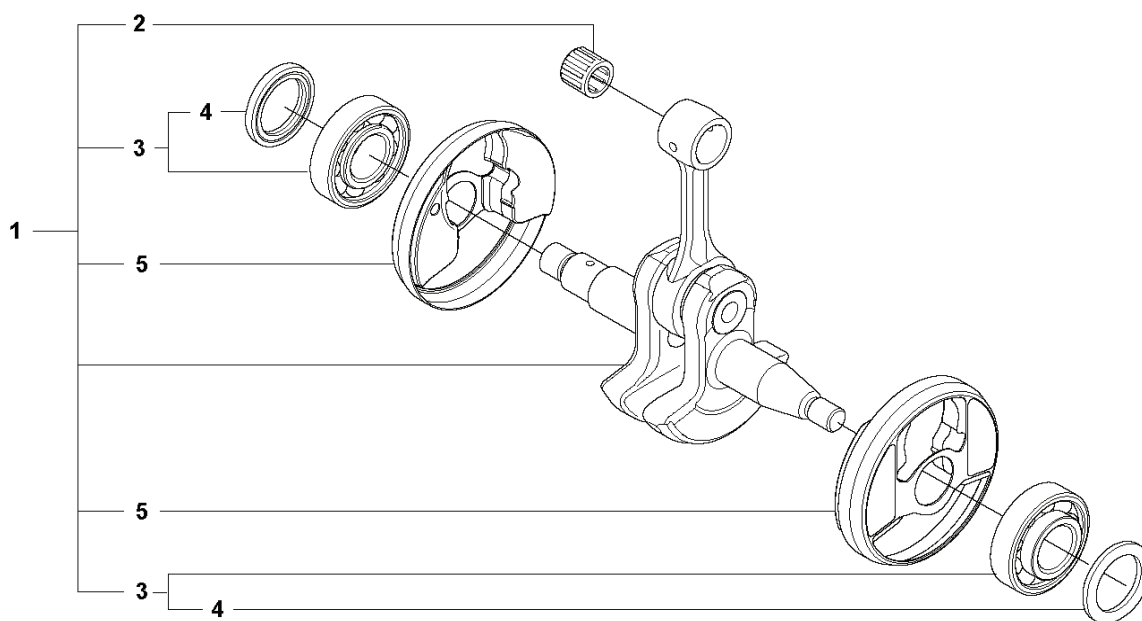
H 550 XP[®] Mark II, 550 XP[®]G Mark II
CRANKCASE



CHAIN SAWS

PXM_REF	PXM_PARTNO	DESCRIPTION	PXM_REMARK	QTY.
1	575885703	SCREW ITXSCFM		3
2	503869301	SUPPORT		2
3	544331601	GUIDE PIN		1 4
4	582285201	CARBURETTOR AREA BASE		1
5	522620003	TANK CAP ASSY		1
6	503578901	HOLDER		1 5
7	589241101	GASKET		1 5
8	503894703	SNAP LOCKING		3
9	595897702	CRANKCASE KIT		1
10	503751801	PIN		1 9, 11
11	596351401	CATCH		1
12	596351301	SPIKE		1
13	575793501	SCREW ITXPANM		2 12
14	581559201	BELLOWS		1
15	525887401	SCREW CITXPANT		1
16	525798103	SCREW ITXSCFT		1
17	537377902	CHAIN CATCHER		1
18	589721901	CHAIN GUIDE PLATE		1
19	537403501	FILTER		1 9
20	530026119	CHECK VALVE		1 9
21	505125801	DEFLECTION LIMITER		1
22	505217301	BAR BOLT		2 9
23	720126952	PARALLEL PIN		2 9
24	589331301	SLEEVE		2 9
25	503215325	SCREW ITXSCM		6 9
26	582285901	AIR NOZZLE		1
27	526818101	SCREW ITXSCM		1
28	525824401	SCREW ITXSCM		1 9
29	501270802	GUIDE BUSHING		2 9
30	595897601	GASKET KIT		1
31	596911301	PROTECTIVE CAP		1 9

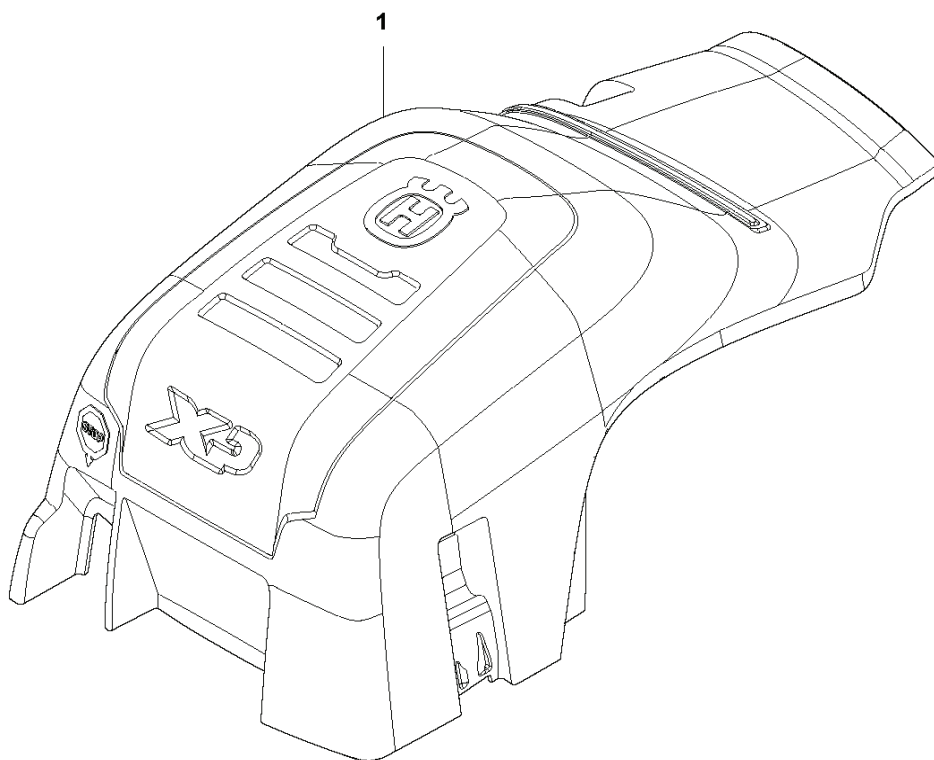
E 550 XP® Mark II, 550 XP® G Mark II
CRANKSHAFT



CHAIN SAWS

PXM_REF	PXM_PARTNO	DESCRIPTION	PXM_REMARK	QTY.
1	596218402	CRANKSHAFT KIT		1
2	501103101	NEEDLE BEARING		1 1
3	525434204	BALL BEARING		2 1
4	505416101	RADIAL SEAL		2 1,4
5	522737701	CUP		2 1

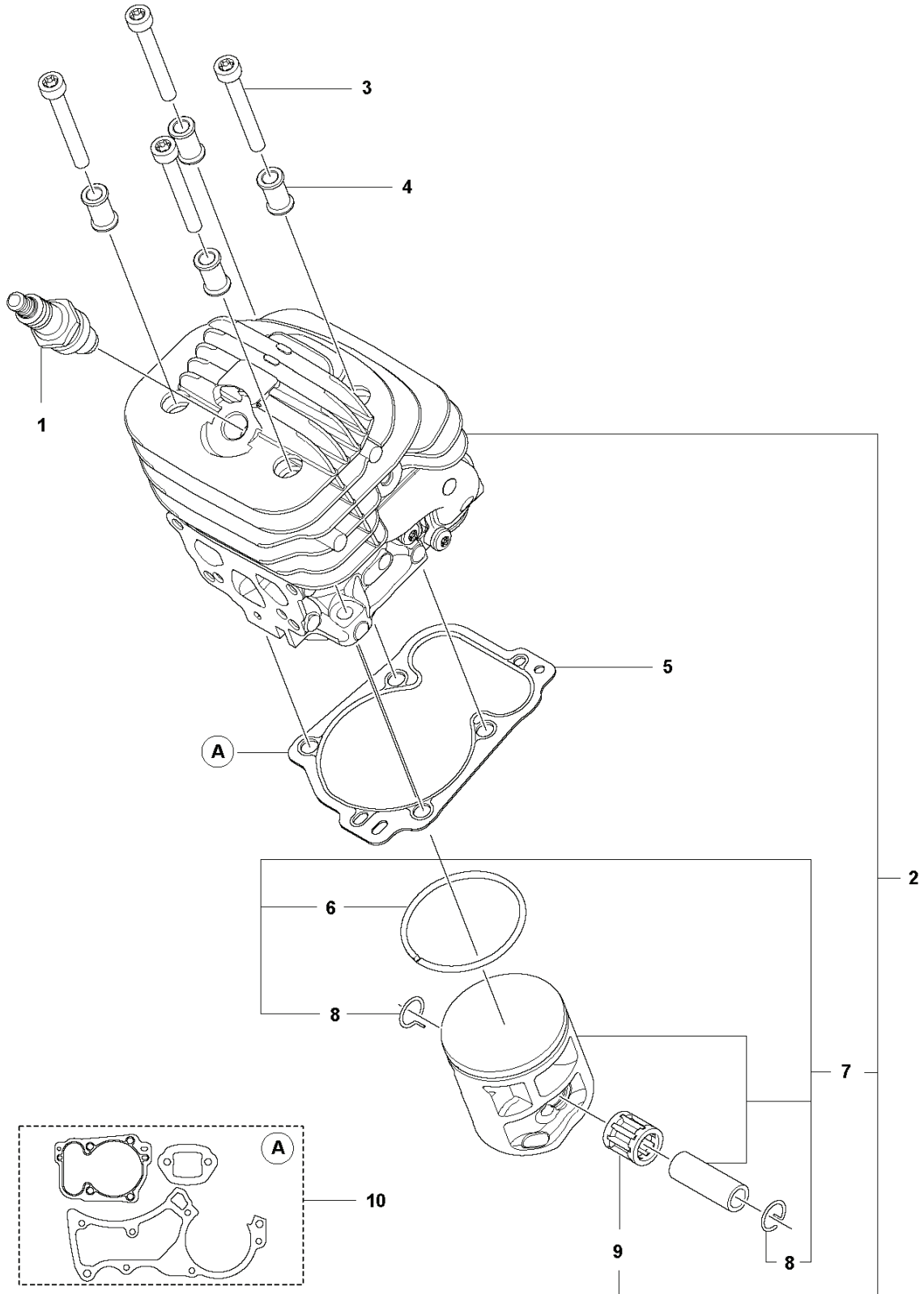
C 550 XP® Mark II, 550 XP® G Mark II
CYLINDER COVER



CHAIN SAWS

PXM_REF	PXM_PARTNO	DESCRIPTION	PXM_REMARK	QTY.
1	589549601	CYLINDER COVER		1

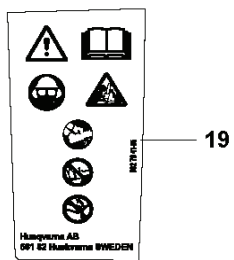
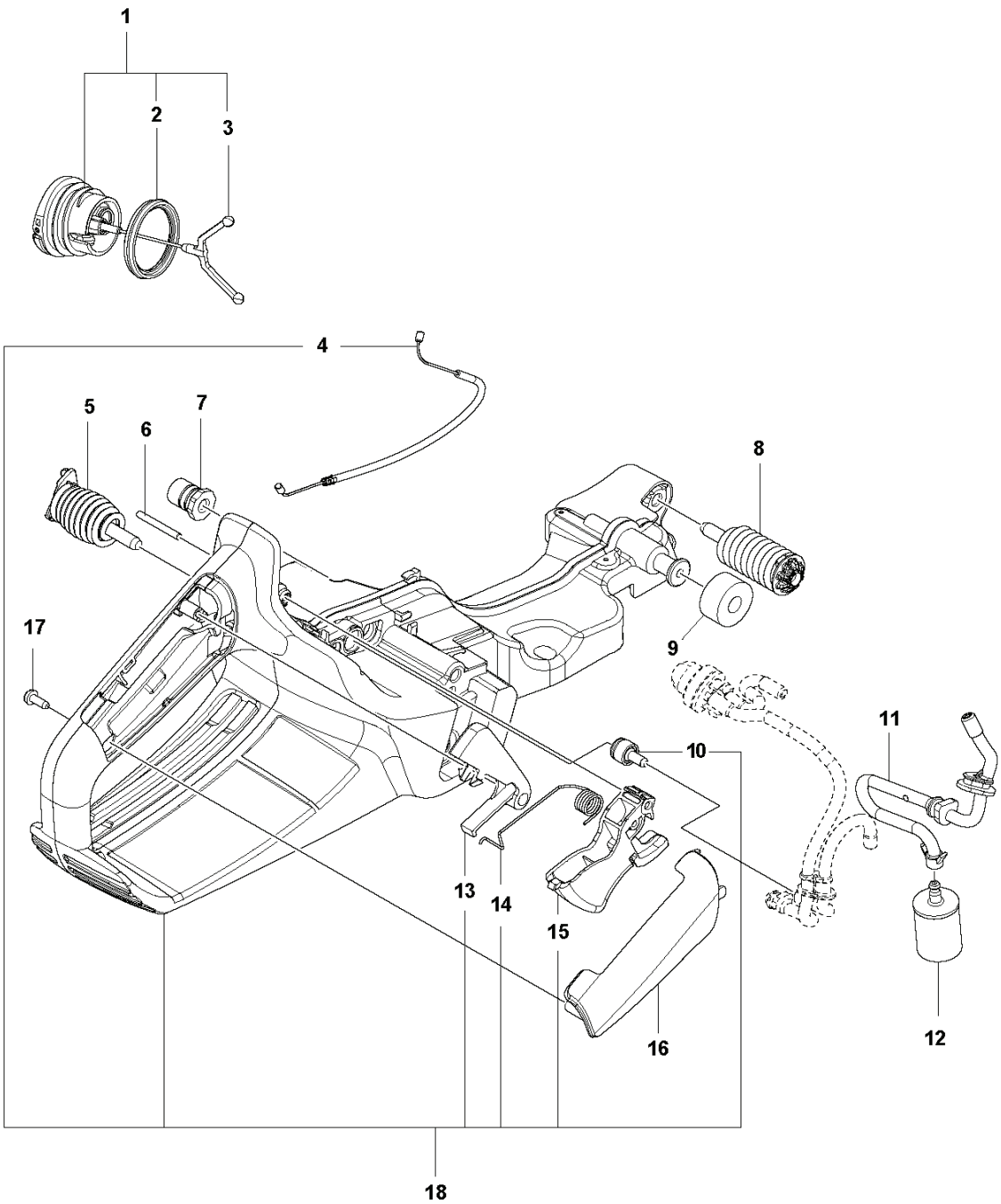
D 550 XP® Mark II, 550 XP® G Mark II
CYLINDER AND PISTON



CHAIN SAWS

PXM_REF	PXM_PARTNO	DESCRIPTION	PXM_REMARK	QTY.
1	574519601	SPARK PLUG		1
2	590330502	CYLINDER KIT		1
3	525824907	SCREW ITXSCM		4
4	576717602	SLEEVE		4
5	591177401	GASKET		1
6	582702801	PISTON RING		1 2,7
7	582645602	PISTON ASSY		1
8	737441000	SNAP RING		2 2,7
9	501103101	NEEDLE BEARING		1 2,7
10	595897601	GASKET KIT		1

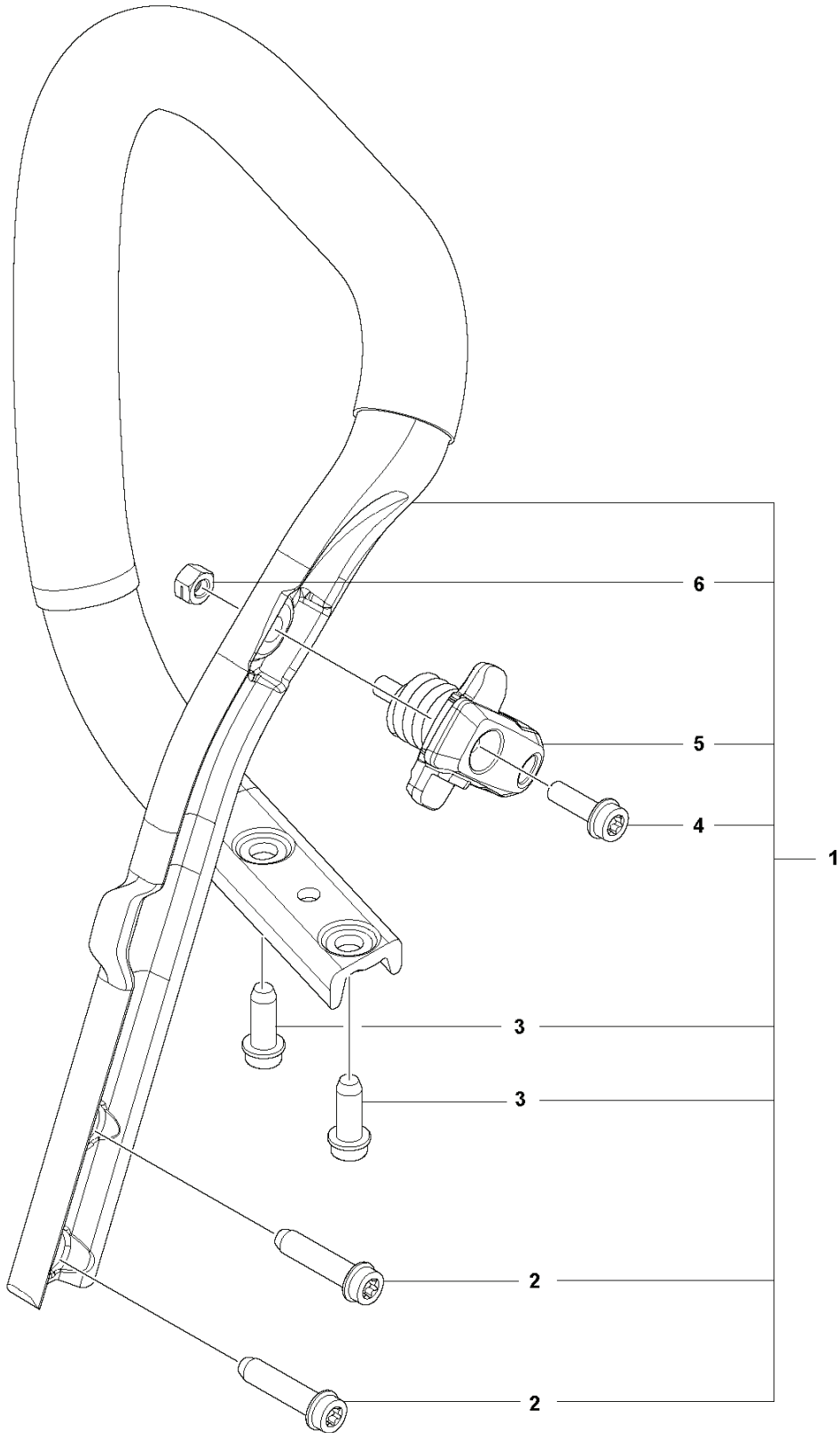
J 550 XP® Mark II, 550 XP® G Mark II
FUEL TANK



CHAIN SAWS

PXM_REF	PXM_PARTNO	DESCRIPTION	PXM_REMARK	QTY.
1	522620003	TANK CAP ASSY		1
2	589241101	GASKET		1 1
3	503578901	HOLDER		1 1
4	596550001	THROTTLE CABLE ASSY		1
5	596882001	ANTIVIBRATION ELEMENT		1
6	720182520	PARALLEL PIN		1
7	501007601	SUPPORT		1
8	590377401	ANTIVIBRATION ELEMENT		1
9	523085501	DEFLECTION LIMITER		1
10	501152901	TANK VENT ASSY		1
11	577504101	FUEL HOSE		1
12	503443203	FUEL FILTER	18-40 µm (Blue)	1
12	503443205	FUEL FILTER	18-40 µm (Blue) Mega pack (100 pcs)	1
13	544099801	THROTTLE LOCKOUT		1 19
14	544099901	SPRING		1 19
15	505157701	THROTTLE		1 19
16	504106301	HANDLE INSERT		1
17	525887402	SCREW CITXPANT		1
18	596554002	FUEL TANK KIT		1
19	582794105	LABEL		1

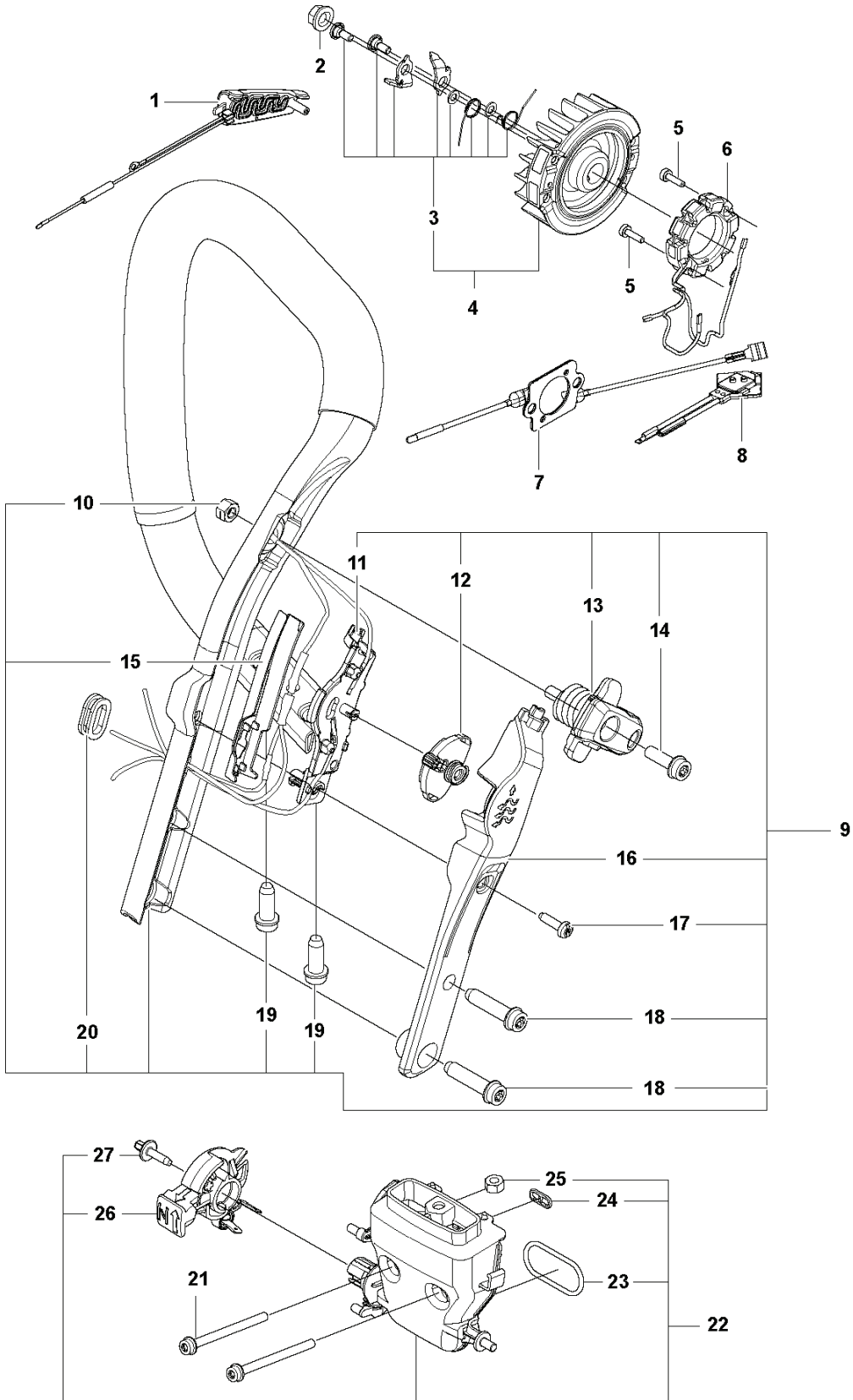
K1 550 XP® Mark II
HANDLE



CHAIN SAWS

PXM_REF	PXM_PARTNO	DESCRIPTION	PXM_REMARK	QTY.
1	582014901	HANDLE SYSTEM		1
2	525798103	SCREW ITXSCFT		2 1
3	525798101	SCREW ITXSCFT		2 1
4	525755101	SCREW ITXSCFM		1 1
5	595303401	ANTIVIBRATION ELEMENT		1 1
6	503222401	LOCK NUT		1 1

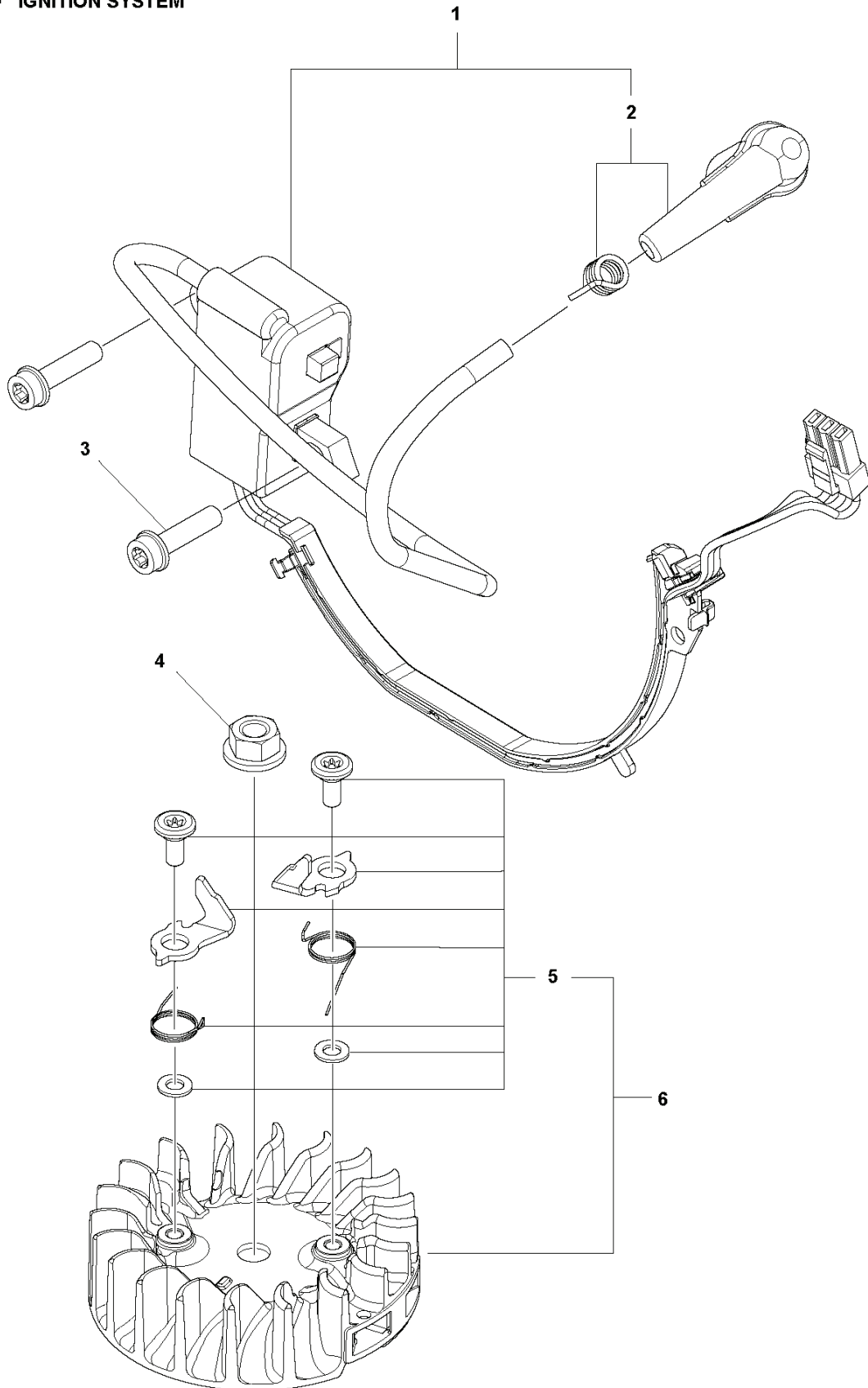
K2 550 XP[®]G Mark II
HEATED HANDLE



CHAIN SAWS

PXM_REF	PXM_PARTNO	DESCRIPTION	PXM_REMARK	QTY.
1	590260901	HANDLE INSERT		1
2	503220401	NUT		1
3	596230601	SCREW KIT		1 4
4	522937806	FLYWHEEL ASSY		1
5	526818102	SCREW ITXSCM		2
6	590260301	STATOR ASSY		1
7	588168603	FOIL ELEMENT		1
8	590688301	THERMOSTAT ASSY		1
9	582014902	HANDLE SYSTEM		1
10	503222401	LOCK NUT		1 9
11	590201901	CONTACT PLATE		1 9
12	537252501	CONTACT PLATE		1 9
13	595303401	ANTIVIBRATION ELEMENT		1 9
14	525755101	SCREW ITXSCFM		1 9
15	596201401	PROTECTION		1 9
16	590201801	COVER		1 9
17	578776102	SCREW ITXPANT		1 9
18	525798103	SCREW ITXSCFT		2 9
19	525798101	SCREW ITXSCFT		2 9
20	537088301	GROMMET		1 9
21	581143101	SCREW ITXSCFM		2
22	589550702	FILTER HOLDER ASSY	Blue	1
23	525619001	SEALING		1 22
24	525619201	SEALING		1 22
25	731231401	HEXAGON NUT		1 22
26	510017202	CHOKE CONTROL ASSY		1 22
27	505156201	SCREW		1 22

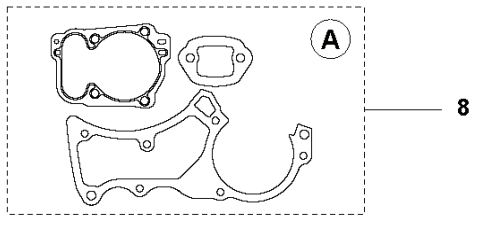
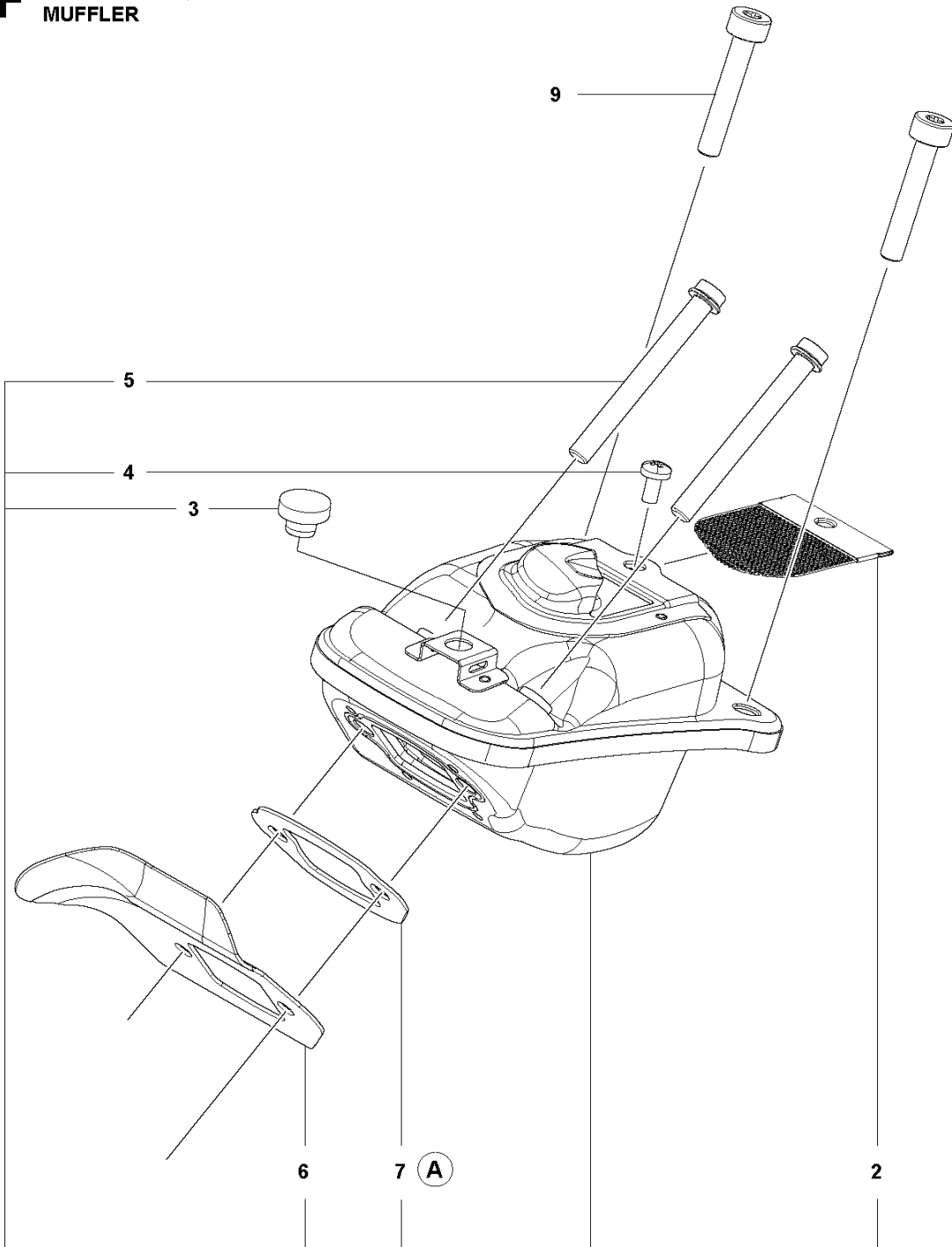
L 550 XP® Mark II, 550 XP® G Mark II
IGNITION SYSTEM



CHAIN SAWS

PXM_REF	PXM_PARTNO	DESCRIPTION	PXM_REMARK	QTY.
1	582777403	IGNITION MODULE ASSY		1
2	596352901	CAP ASSY		1 1
3	525755102	SCREW ITXSCFM		2
4	503220401	NUT		1
5	596230601	SCREW KIT		1 6
6	522937805	FLYWHEEL ASSY		1

F 550 XP[®] Mark II, 550 XP[®]G Mark II
MUFFLER

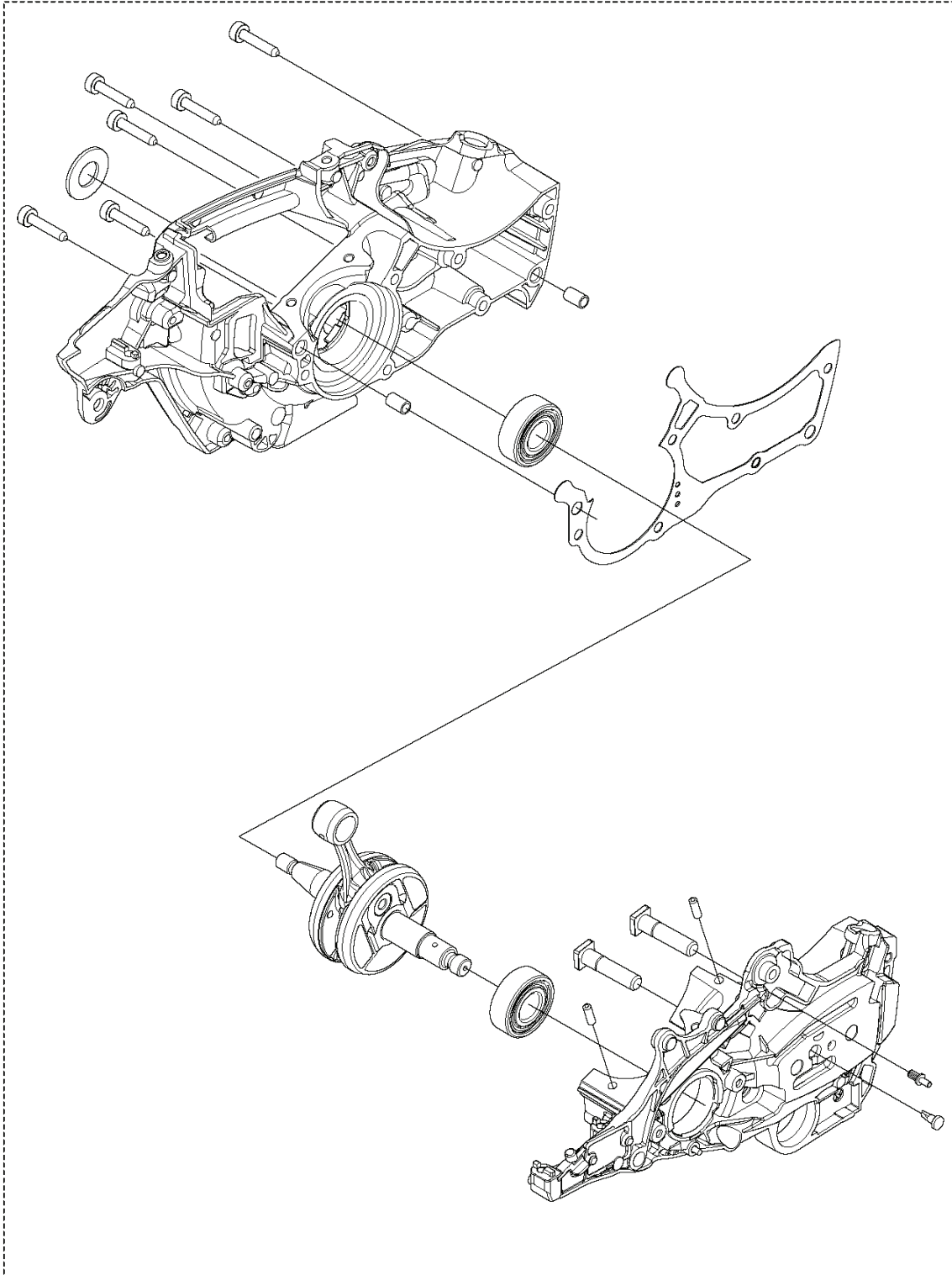


CHAIN SAWS

PXM_REF	PXM_PARTNO	DESCRIPTION	PXM_REMARK	QTY.
1	583798701	MUFFLER KIT		1
2	583799301	SPARK ARRESTER		1 1
3	501515402	SUPPORT		1
4	724128759	SCREW CRPANM		1 1
5	525825107	SCREW ITXSCM		2 1
6	583799001	HEAT DEFLECTOR		1 1
7	583798801	MUFFLER GASKET		1 1
8	595897601	GASKET KIT		1
9	582885501	SCREW		2

H2 550 XP® Mark II, 550 XP®G Mark II
CRANKCASE SHORT BLOCK

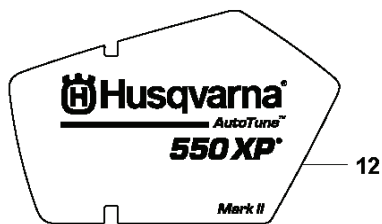
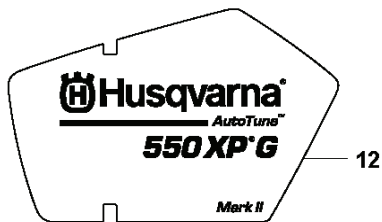
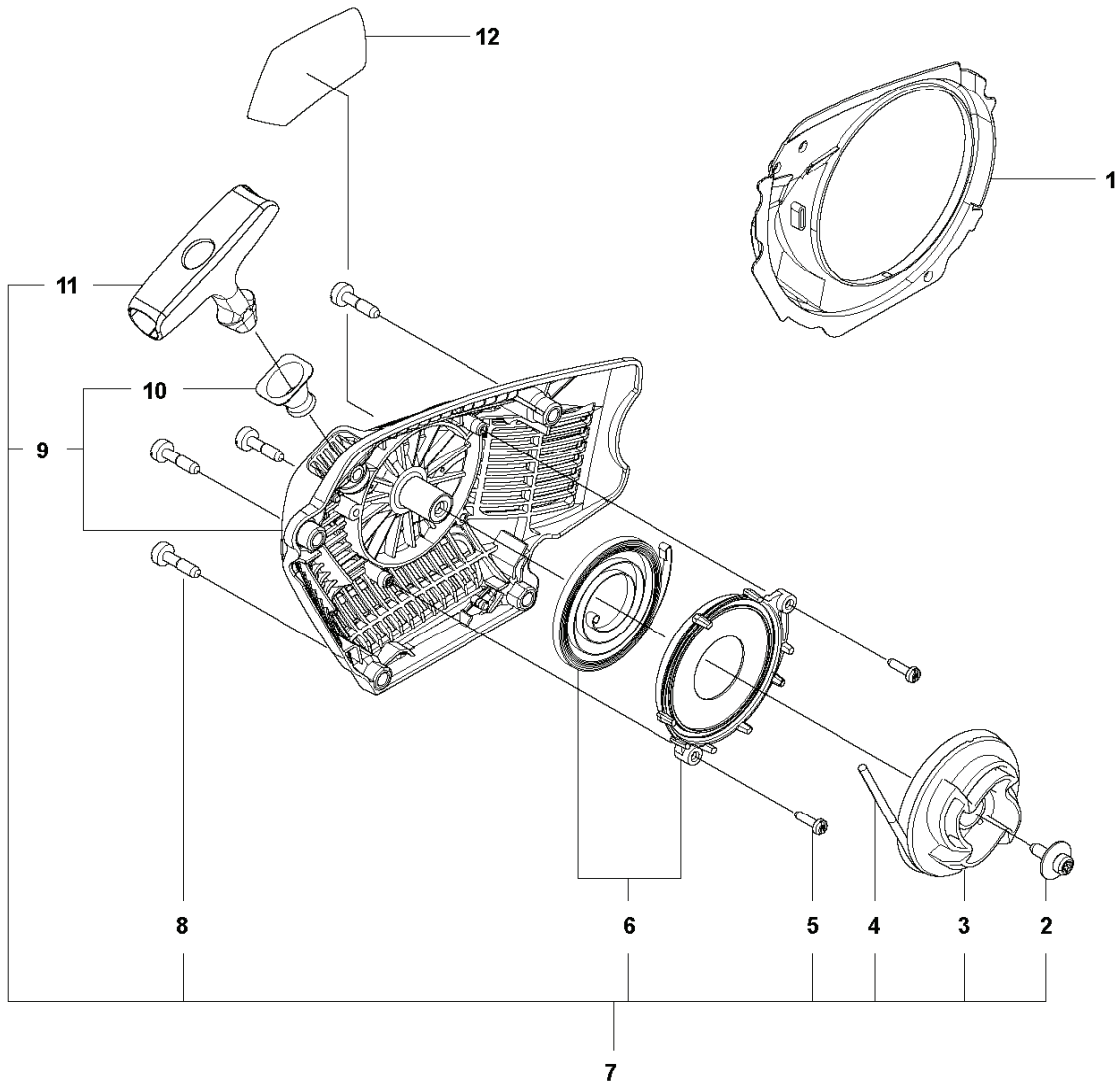
1



CHAIN SAWS

PXM_REF	PXM_PARTNO	DESCRIPTION	PXM_REMARK	QTY.
1	595945003	SHORT BLOCK		1

M 550 XP® Mark II, 550 XP® G Mark II
STARTER



CHAIN SAWS

PXM_REF	PXM_PARTNO	DESCRIPTION	PXM_REMARK	QTY.
1	582866901	COOLING AIR CONDUCTOR		1
2	576356601	SCREW ITXSCT		1 7
3	582650702	STARTER PULLEY		1 7
4	505305125	STARTER ROPE		1 7
5	525887401	SCREW CITXPANT		2 7
6	505157902	SPRING CASSETTE ASSY		1 7
7	596230301	STARTER ASSY		1
8	525824501	SCREW CITXPANMO		4 7
9	582503401	STARTER HOUSING		1 7
10	537283201	SLEEVE		1 7
11	537232501	STARTER HANDLE		1 7
12	590613401	LABEL	550XP	1
12	590613402	LABEL	550XPG	1