

REV.00

General Assembly

Included Models

ENF G319 C BMAD R2 UL CIR LEDEXPLC4NEGFS

1022761

Item	Internal Code	Spare Part Code	Description
1	3035417	2085659	GROMMET
2	3042645	2076411	PILASTER
3	3049326	2076410	ANTI-VACUUM VALVE
4	3056242	2079065	GASKET ANTI-VACUUM VALVE
5	2075153	2084836	RIGHT TUBE COVER
6	2075141	2084834	LEFT TUBE COVER
7	2038149	2076344	MOLD DEFLECTOR SUPPORT
8	2040645	2080580	DEFLECTOR MOLDING
9	3062688	2093003	LOCK
10	3063529	2093004	REINFORCEMENT
11	3063530	2093005	UNLOCK BUTTON
12	3063913	2093006	STEEL CABLE
13	3056310	2093008	RELAY
14	3065019	2093009	BATTERY
15	2041355	2093010	BATTERY SUPPORT
16	3063528	2093011	LOCK COVER
17	3063587	2093012	LOCK RECEPTACLE
18	3001457	2076347	SWITCH
19	3059250	2089531	LED DRIVER
20	3044404	2065129	LED DRIVER
21	3017479	2024708	SWITCH SUPPORT
22	3044252	2076349	DOOR SUPPORT
23	2084870	2093015	TEMPERATURE CONTROL
24	3063912	2093016	CONTROL BOX
25	3052103	2076368	DRIVER 24W
26	3022239	2065163	POWER CORD
27	3059715	2076123	BACK GRILL
28	3042646	2076409	SHELF
29	3033894	2076116	CLIP F/PILASTER
30	3017492	2065185	THERMOMETER

REV.00

General Assembly

Included Models

**ENF G319 C BMAD R2 UL CIR LEDEXPLC4NEGFS**

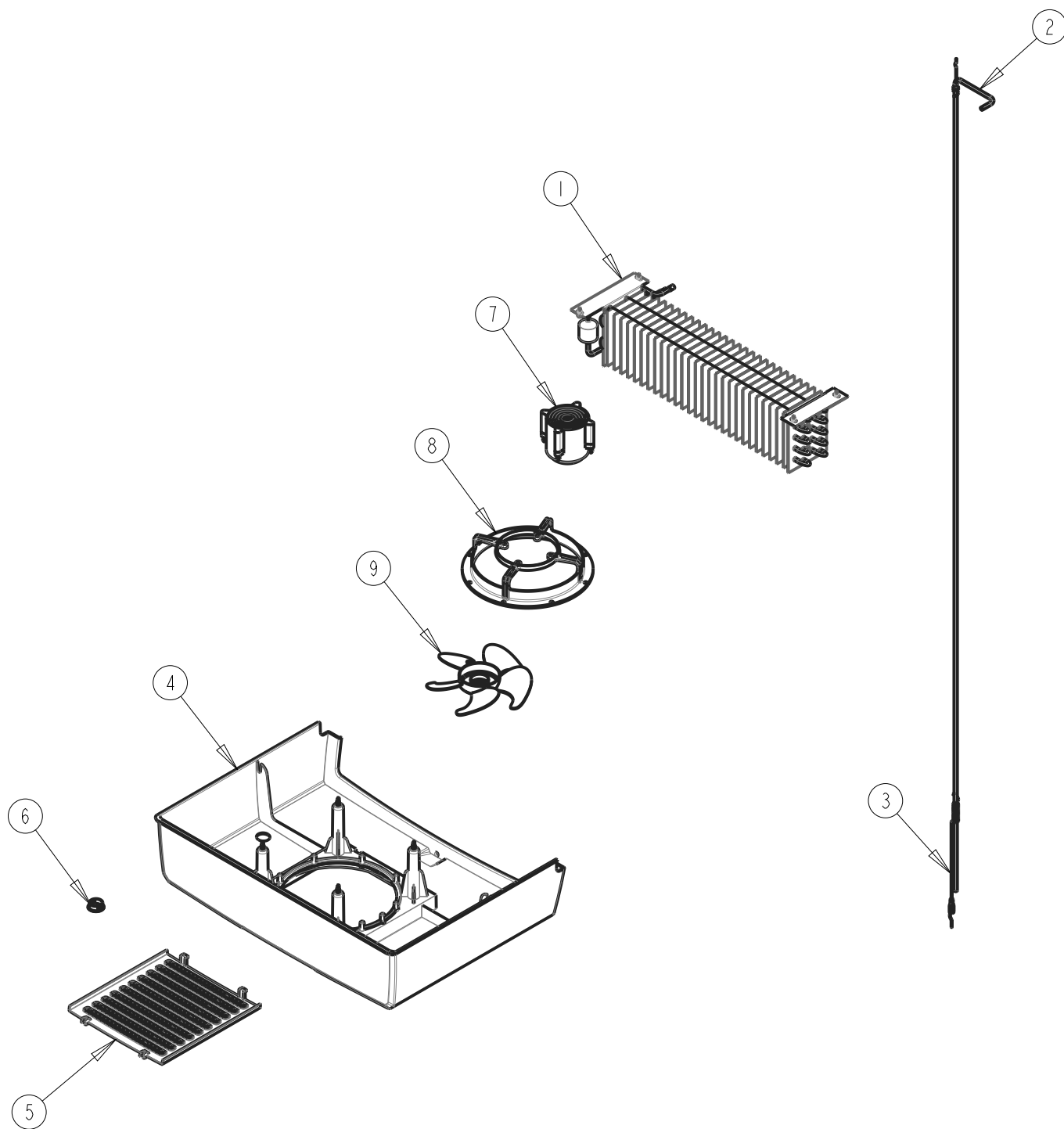
**1022761**

Item	Internal Code	Spare Part Code	Description
31	3022238	2065360	LEVELING LEG
32	3001490	2076878	WALL SPACER
33	2091799	2093021	FRONT GRILL
34	3041425	2076124	FRONT GRILL SUPPORT
35	3030429	2076341	MAGNETIC SWITCH
36	3024322	2077330	INTERLOCK, MAG SWITCH
37	3042320	2089510	CLIP F/SWITCH
*	3063290	2093013	MAIN HARNESS
*	3063289	2093014	HARNESS
*	3017532	2063499	MOTOR GROUND HARNESS
*	3042236	2077318	COMPRESSOR HARNESS
*	3051069	2065318	LED HARNESS
*	3062692	2093007	LOCK HARNESS

REV.00

General Assembly

Included Models      ENF G319 C BMAD R2 UL CIR LEDEXPLC4NEGFS      1022761



REV.00

Evaporator Unit

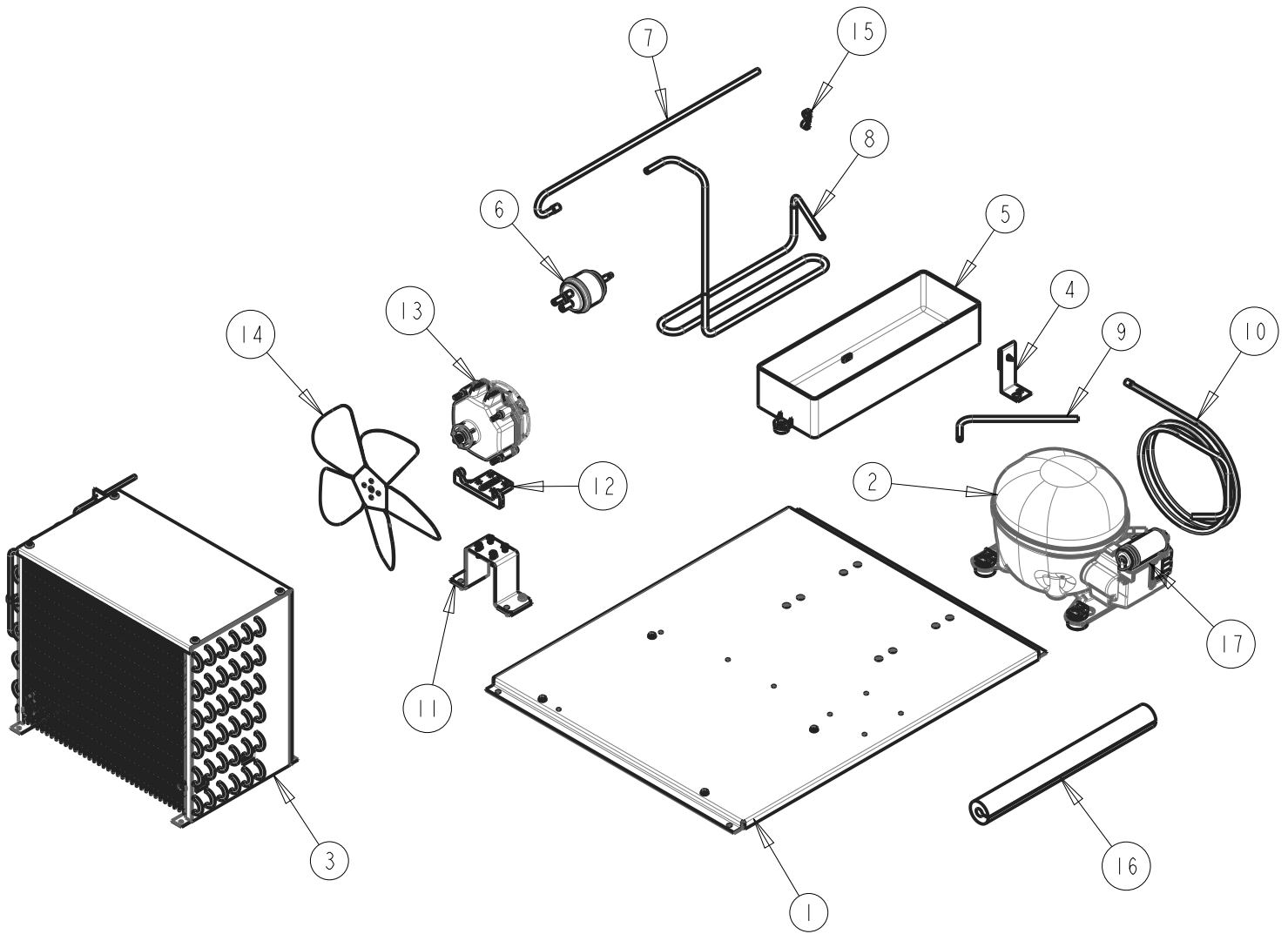
Included Models ENF G319 C BMAD R2 UL CIR LEDEXPLC4NEGFS 1022761

Item	Internal Code	Spare Part Code	Description
1	3054283	2068674	EVAPORATOR
2	2065242	2072768	RETURN PIPE
3	3056031	2077084	CAPILLARY TUBE, 0.049"X140"
4	2082794	2091243	EVAP HOUSING
5	2075560	2078478	EVAP HOUSING GRILL
6	3035171	2076127	STOPPER
7	3023792	2065067	EVAP FAN MOTOR
8	3023907	2021792	MOTOR EVAP SUPPORT
9	3023793	2017317	EVAP FAN BLADE

REV.00

Evaporator Unit

Included Models      ENF G319 C BMAD R2 UL CIR LEDEXPLC4NEGFS      1022761



REV.00

Condenser Unit

Included Models

ENF G319 C BMAD R2 UL CIR LEDEXPLC4NEGFS

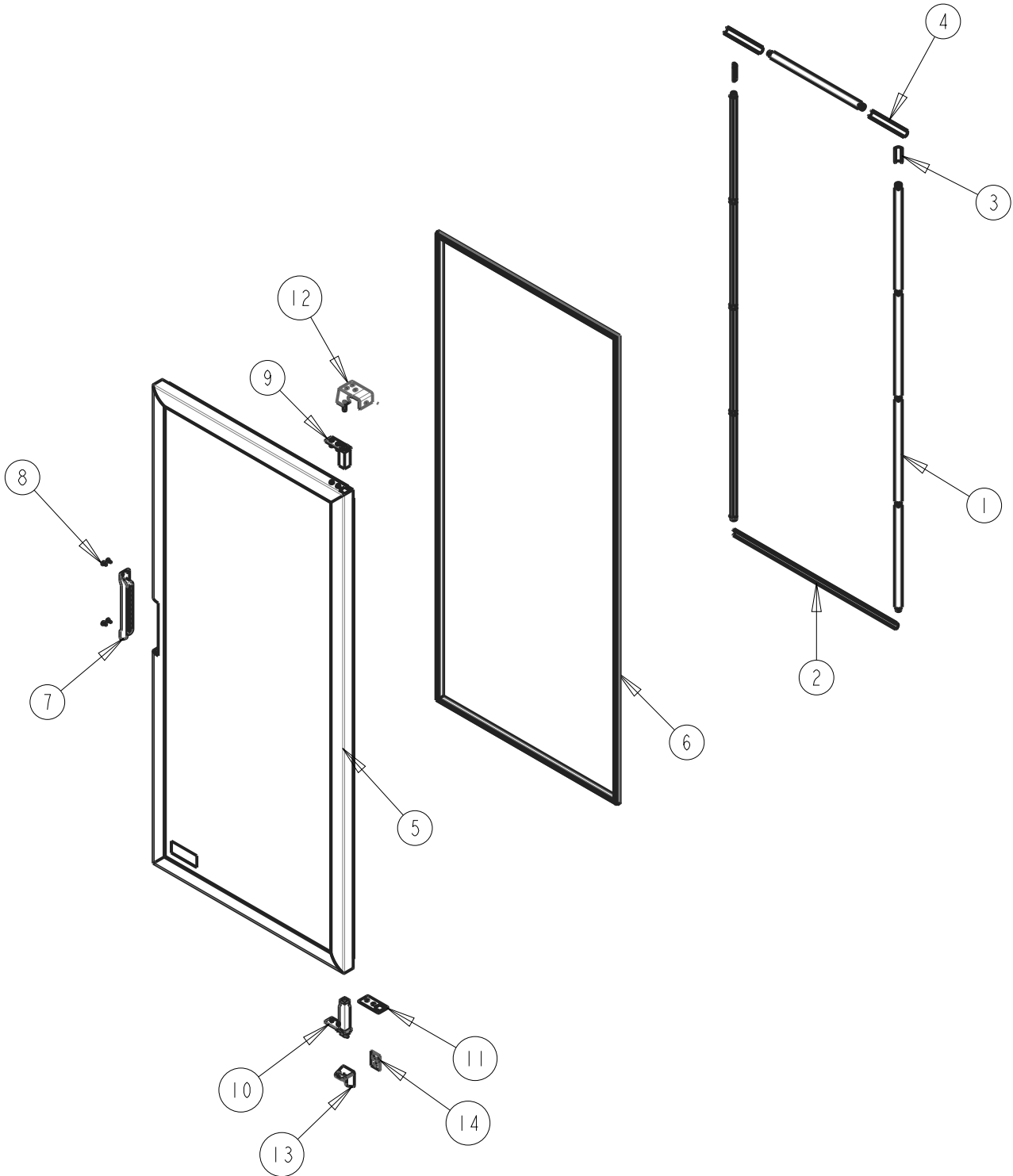
1022761

Item	Internal Code	Spare Part Code	Description
1	2066384	2076542	COMPRESSOR BASE
2	3055368	2072402	COMPRESSOR
3	2048109	2061514	CONDENSER
4	2003751	2045838	COND PAN SUPPORT
5	3000814	2065072	CONDENSATE PAN
6	3043930	2065116	FILTER DRIER
7	2055561	2075989	VACCUM PIPE
8	2067306	2076379	DISCHARGE PIPE
9	2021335	2076128	CHARGE PIPE
10	2088417	2090450	SUCTION LINE
11	2032218	2075535	MOTOR STAND
12	3039514	2065362	MOTOR COND SUPPORT
13	3030464	2065335	COND FAN MOTOR
14	3024836	2061515	COND FAN BLADE
15	3037478	2083587	PIPE SUPPORT
16	3000807	2077326	PIPE INSULATION
17	3058236	2072478	ACC COMPRESSOR KIT

REV.00

Condenser Unit

Included Models      ENF G319 C BMAD R2 UL CIR LEDEXPLC4NEGFS      1022761



REV.00

Door

Included Models

ENF G319 C BMAD R2 UL CIR LEDEXPLC4NEGFS

1022761

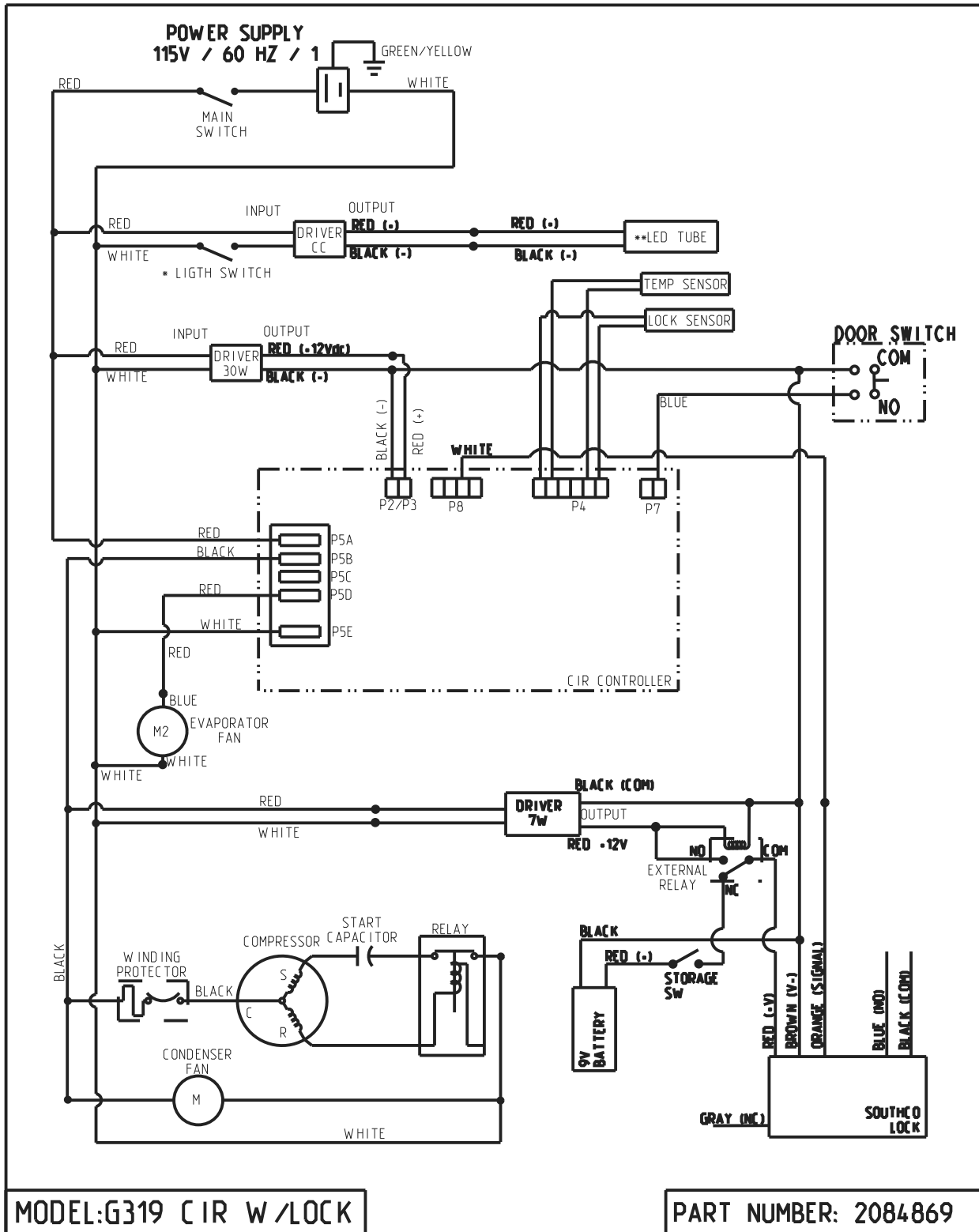


Item	Internal Code	Spare Part Code	Description
1	3051065	2065047	LED MODULE
2	2055306	2084831	MOULDING GLASS FIXER COVER
3	2042808	2082144	MOULDING GLASS FIXER COVER
4	2075391	2084837	MOULDING GLASS FIXER COVER
5	2083970	2093019	GLASS DOOR
6	3023696	2093020	GASKET
7	2018749	2076375	PLASTIC DOOR HANDLE
8	3027788	2081335	REMOVABLE RIVET
9	3044866	2076112	DOOR BUSHING
10	3043569	2055558	SELF CLOSING
11	3028538	2077415	REINFORCEMENT
12	3053035	2075882	TOP HINGE
13	3029297	2065091	BOTTOM HINGE
14	3043342	2076346	REINFORCEMENT
*	3051220	2075742	F-M MODULE HARNESS
*	3045554	2076101	F-DRIVER MODULE HARNESS

REV.00

Door

Included Models      ENF G319 C BMAD R2 UL CIR LEDEXPLC4NEGFS      1022761



REV.00

Wiring Diagram

Included Models

ENF G319 C BMAD R2 UL CIR LEDEXPLC4NEGFS

1022761