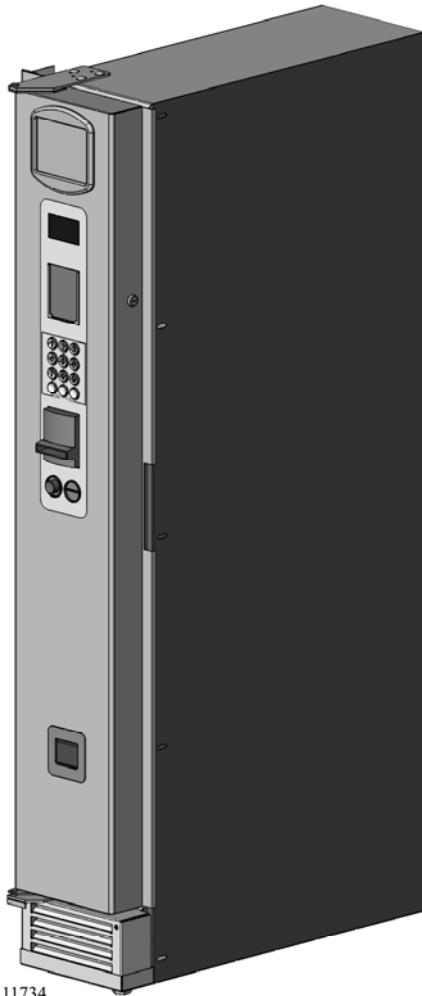


SC100 TOWER - GVC2

MODEL-3515

PARTS MANUAL



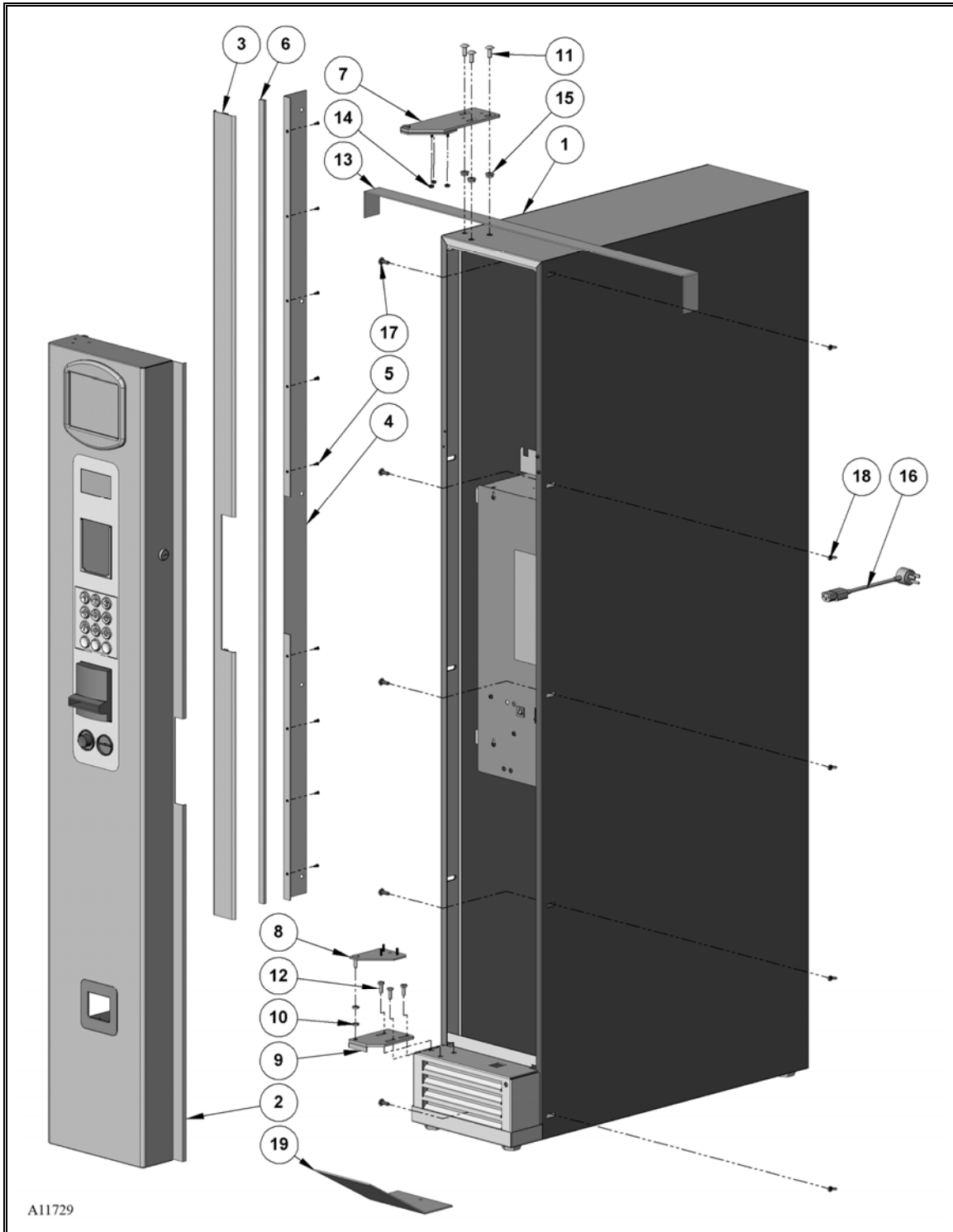
A11734

VendNet™
165 North 10th Street
Waukee, IOWA 50263-0488
United States of America

TABLE OF CONTENTS

FINAL ASSEMBLY	1
<i>FINAL ASSEMBLY PARTS LIST</i>	<i>2</i>
DOOR ASSEMBLY	3
<i>DOOR ASSEMBLY PARTS LIST</i>	<i>5</i>
CABINET ASSEMBLY	6
<i>CABINET ASSEMBLY PARTS LIST</i>	<i>7</i>
CONTROLLER PANEL ASSEMBLY	8
<i>CONTROLLER PANEL ASSEMBLY PARTS LIST</i>	<i>8</i>

FINAL ASSEMBLY



A11729

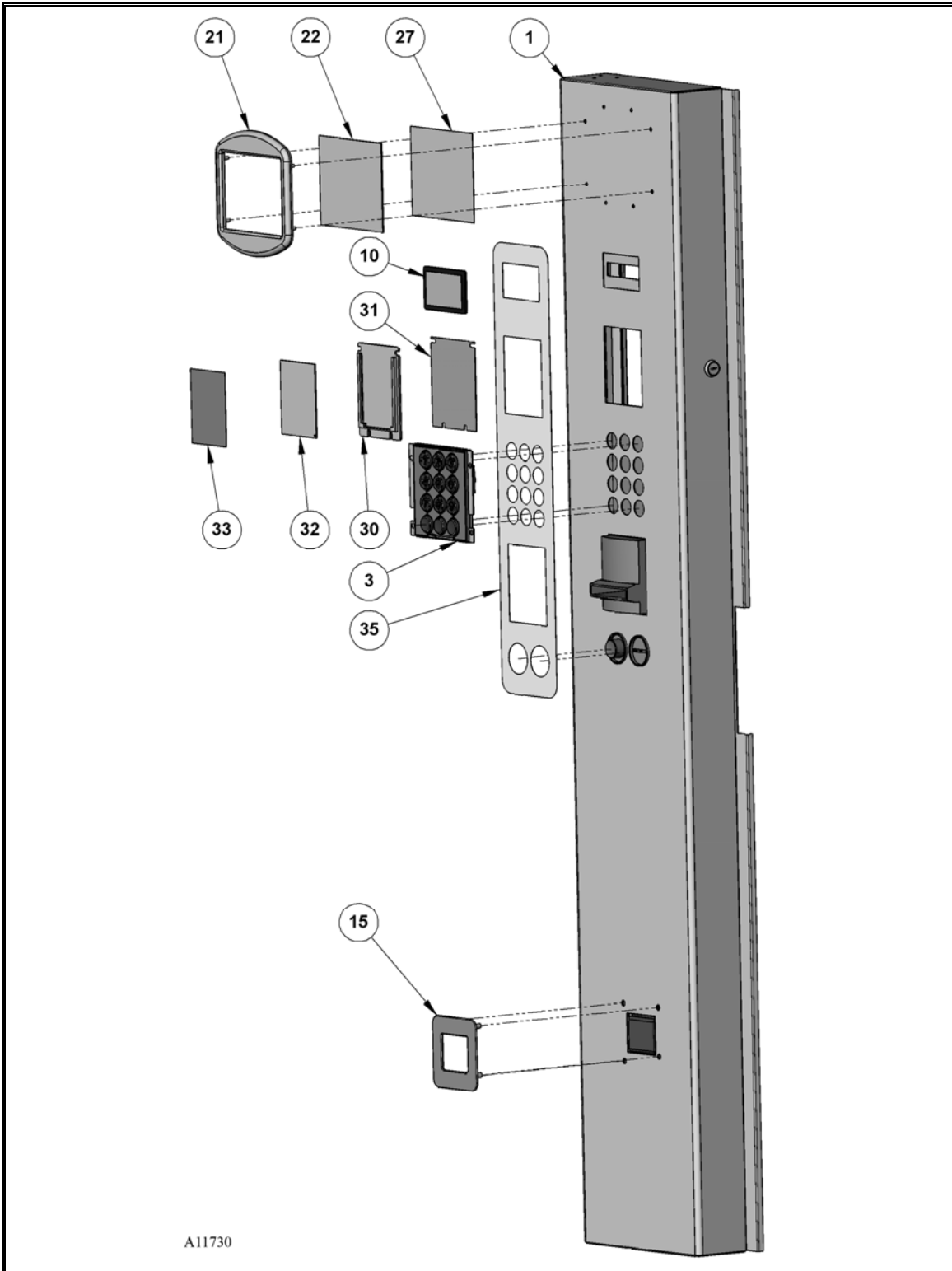
FINAL ASSEMBLY PARTS LIST

ITEM NO.	PART NUMBER	QTY	DESCRIPTION
1	(SEE PAGE #7)	1	CABINET ASSEMBLY
2	(SEE PAGE #3)	1	DOOR ASSEMBLY
3	4212831	1	SIDE TRIM BLACK
4	4212832	1	SIDE TRIM RETAINER
5	8800763	13	8-32 X 5/16 PHIL PH TYPE
6	4203263	AR	CORNER GASKET – (ROLL)
7	1216225	1	TOP HINGE PLATE WELD
8	1216235	1	BOTTOM DOOR HINGE WELD
9	1216242	1	BOTTOM HINGE PLATE WELD
10	4025757	2	1/4" ID HINGE SPACER
11	4050099	3	5/16-18 X 3/4 CARRIAGE BOLT
12	4201239	3	1/4-20 X 3/4 HWH TAPTITE
13	4213014	1	SAFETY BRACKET
14	8800956	3	8-32 HEX NUT W/ETW
15	8810015	3	5/16-18 FLANGE LOCK NUT
16	4213759	1	POWER CORD DOM
17	4050393	5	¼ - 20 X ¾ CARRIAGE BOLT
18	4050530	5	¼ - 20 WING NUT
19	4212976	1	MACHINE LIFTER BLACK

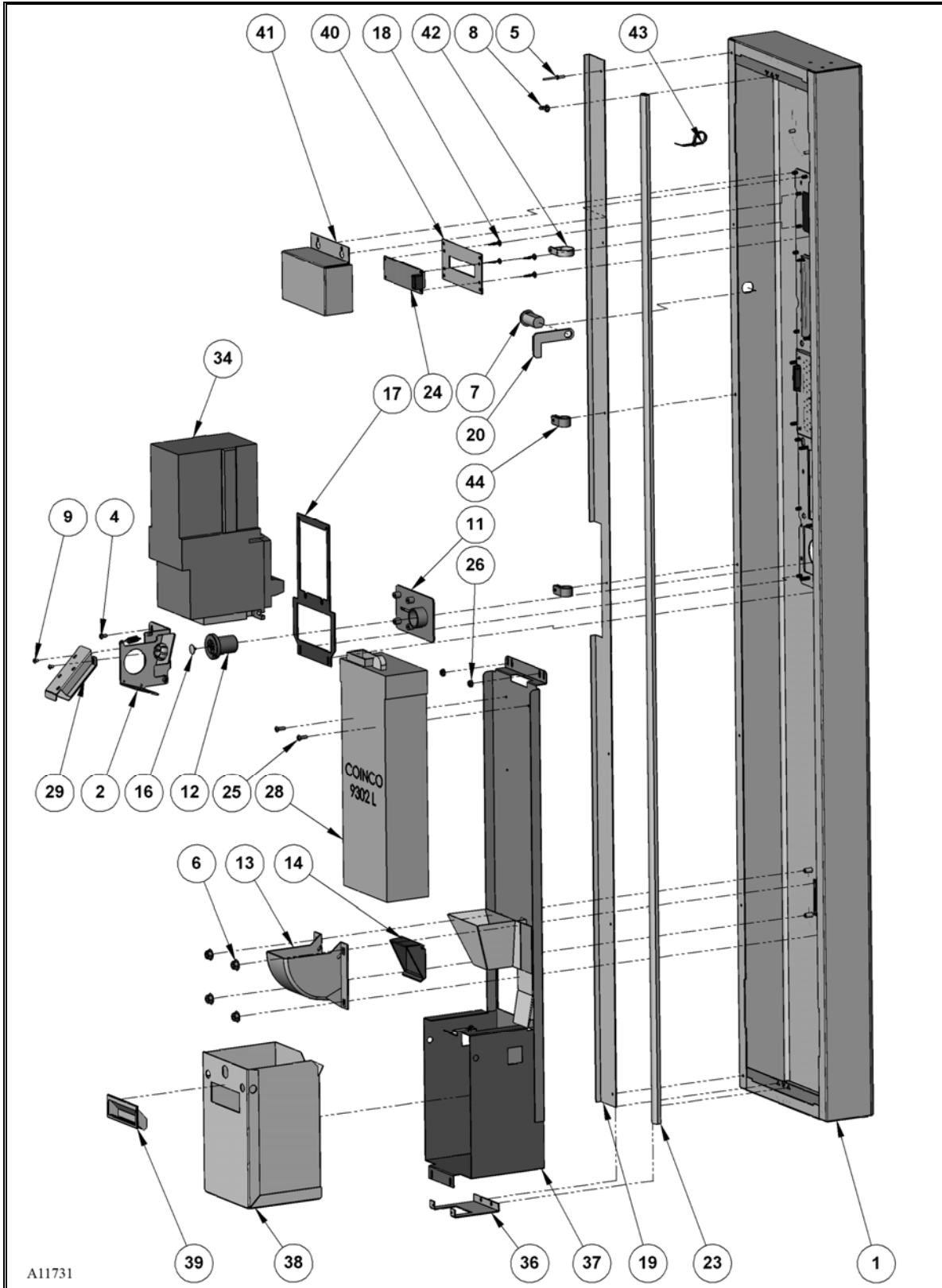
LIST OF PARTS NOT SHOWN

20	4212910	1	T27 TORX LONG ARM KEY
----	---------	---	-----------------------

DOOR ASSEMBLY



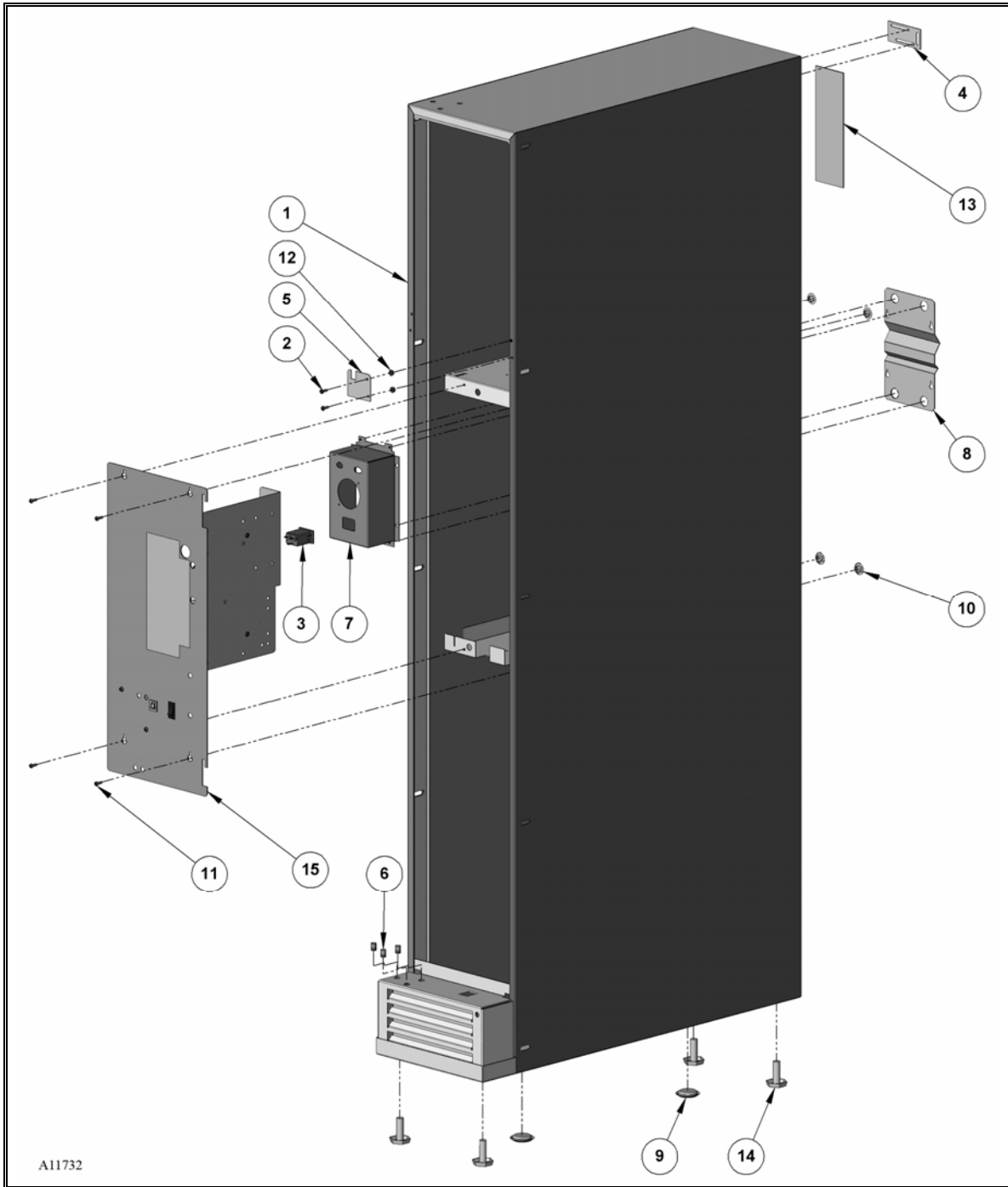
A11730



DOOR ASSEMBLY PARTS LIST

ITEM NO.	PART NUMBER	QTY	DESCRIPTION
1	1216846	1	DOOR WELD
2	1216187	1	COIN RETURN LEVER MECHANISM
3	1216670	1	KEYPAD ASSEMBLY
4	4050423	4	8-18X3/8 PHIL PH TY-A
5	4050667	7	1/8X .250 ALUMINIUM POP REVET
6	4050747	4	¼ STAMPED HEX NUT
7	4060318	1	LOCK CB46 KEY SERIES
8	4201874	8	8-32 WING NUT-STAMPED
9	4201942	2	6-20 X 3/16 PHL PH TY-B
10	4202841.009	1	READOUT WINDOW / BLUE
11	4203186.XXX	1	COIN INSERT BLACK (SPECIFY COIN SIZE)
12	4203187	1	COIN RETURN BUTTON/BLACK
13	4203207	1	COIN CUP/BLACK
14	4203208	1	COIN CUP DOOR/BLACK
15	4203209	1	COIN CUP BEZEL/BLACK
16	4209188	1	SNAP PIN
17	4210954	1	INSERT MOUNT/BLACK
18	4211310.375	4	STANDOFF
19	4212833	1	DOOR RETAINER
20	4212881	1	LOCK CAM
21	4202889	1	POP BEZEL/BLACK
22	4212890	1	POP WINDOW
23	4213532	AR	D GASKET
24	4213951	1	VF DISPLAY
25	8800636	6	8-18X1/2 PHIL PH TYPE
26	8800956	27	8-32 HEX NUT W/ETW
27	4213003	1	POINT OF SALE TOWER
28	OPTIONAL	1	COIN MECHANISM
29	1212097	1	COIN CHUTE WELD - ZN
30	4209639	1	VALIDATOR FILLER
31	4201907.001	1	VALIDATOR PLATE-WRINKLED
32	4209656.001	1	POP PLATE/BLACK
33	4210396.007	1	FILLER DECAL-ENGLISH INSTRUCTION
34	OPTIONAL	1	BILL VALIDATOR
35	4215460.001	1	DOOR DECAL/ 2 HOLES
36	4216025	1	MECH MOUNT BRACKET
37	1216768	1	COIN BOX MOUNT REVET ASSEMBLY
38	1216639	1	COIN BOX WELD/RAW
39	4214081	1	FLUSH PULL HANDLE
40	4213953	1	DISPLAY MOUNT/BLACK
41	4213954	1	DISPLAY COVER/BLACK
42	4060134	1	PLASTIC WIRE CLAMP 1"
43	4033712.001	2	CABLE TIE 15"
44	7090002.713	2	¾ CABLE CLAMP

CABINET ASSEMBLY



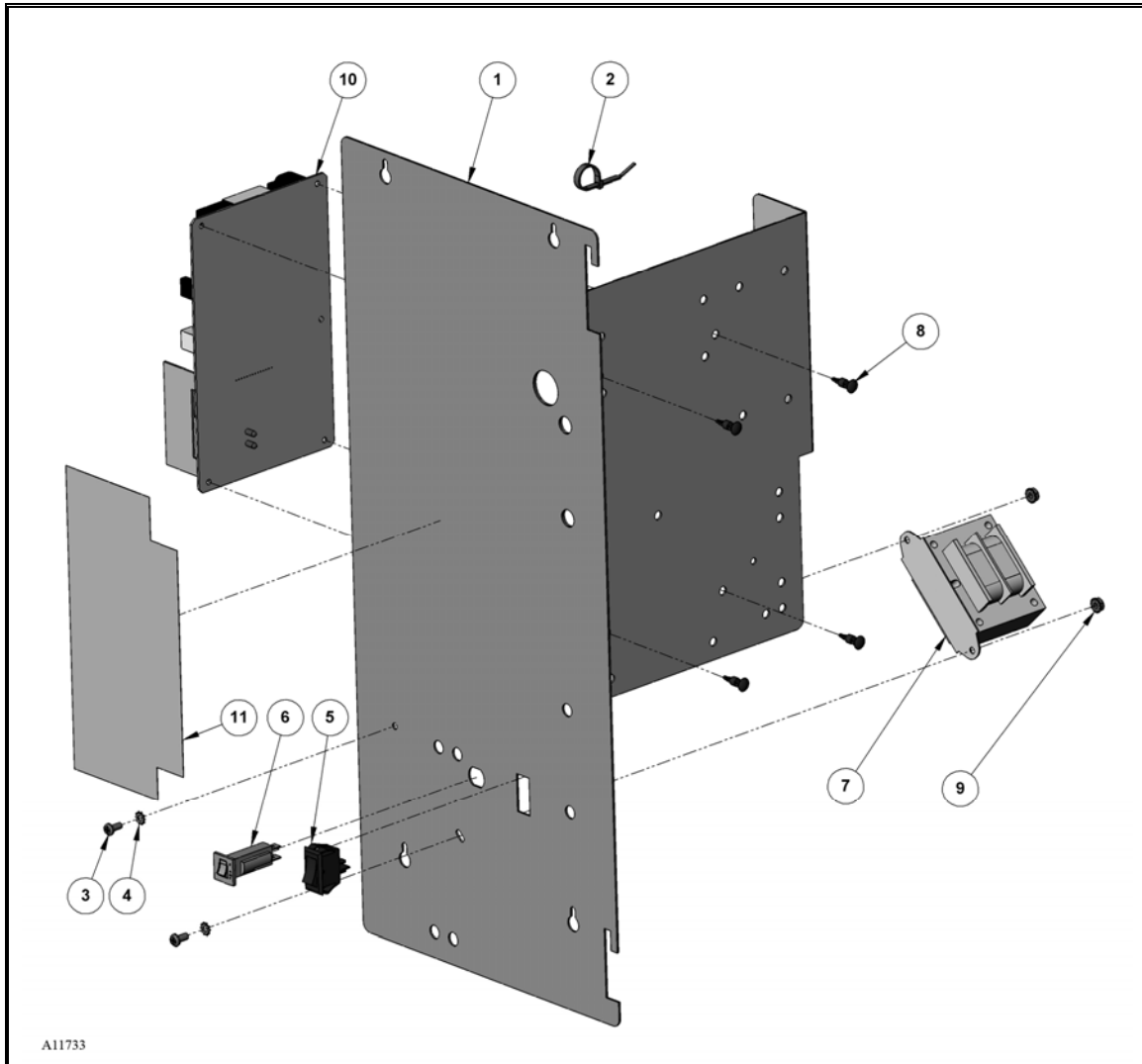
CABINET ASSEMBLY PARTS LIST

ITEM NO.	PART NUMBER	QTY	DESCRIPTION
1	1217068	1	CABINET WELD, HOST/TOWER
2	4050247	2	8-32 X ½ PHIL PH MS
3	4212490.001	1	RFI FILTER IEC SOCKET 10A
4	4212837	4	BACK RETAINING PLATE
5	4212858	1	LOCK STOP
6	4212937.016	3	THREADED INSERT, ¼-20
a	4213281	1	CONNECTION BOX BLACK
8	4213448	1	CONNECTION BOX COVER
9	7250135.000	2	HOLE PLUG, BP-1 3/8"
10	7250135.001	4	HOLE PLUG, BPF-1/2"
11	8800636	22	8-18 X ½ PHIL PH TYPE
12	8800956	2	8-32 HEX NUT W/ETW
13	4205044.324	1	SERIAL PLATE-HOST /TOWER
14	4212842	4	½ - 13 X 1-1/2 LEG LEVELER
15	(SEE PAGE #8)	1	CONTROLLER PANEL ASSEMBLY

LIST OF PARTS NOT SHOWN

16	4213319	1	REPL-HA-POWER HARNESS
17	4214278	1	DEX HARNESS
18	4215464	1	CONTROL PANEL HARNESS

CONTROLLER PANEL ASSEMBLY



CONTROLLER PANEL ASSEMBLY PARTS LIST

ITEM NO.	PART NUMBER	QTY	DESCRIPTION
1	1216847	1	CONTROLLER PANEL WELD
2	4033712	5	CABLE TIE 7 3/8"
3	4050240	2	8-32 X 3/8 PHIL PH MS
4	4050585	2	# EXT TOOTH LOCK WASHER
5	4202088	1	SWITCH -ROCKER
6	4203467.003	1	3 AMP CIRCUIT BREAKER
7	4206570	1	TRANSFORMER,110V INPUT/24V
8	4206879	4	BOARD STANDOFF-3/8"
9	8800956	2	8-32 HEX NUT W/ETW
10	4214682.001	1	CONTROL BOARD GVC2
11	4215509	1	SERVICE MODEL LABEL GVC2

NOTES

The contents of this publication are presented for informational purposes only, and while every effort has been made to ensure their accuracy, they are not to be construed as warranties or guarantees, express or implied, regarding the products or services described herein or their use or applicability. We reserve the right to modify or improve the designs or specifications of such products at any time without notice.



VendNet™
165 North 10th Street
Waukee, Iowa 50263
United States of America



	USA & Canada	International
Service	(800) 833-4411	(515) 274-3641
Parts	(888) 259-9965	
Email	vendnet@vendnetusa.com	
Web Site	www.vendnetusa.com	