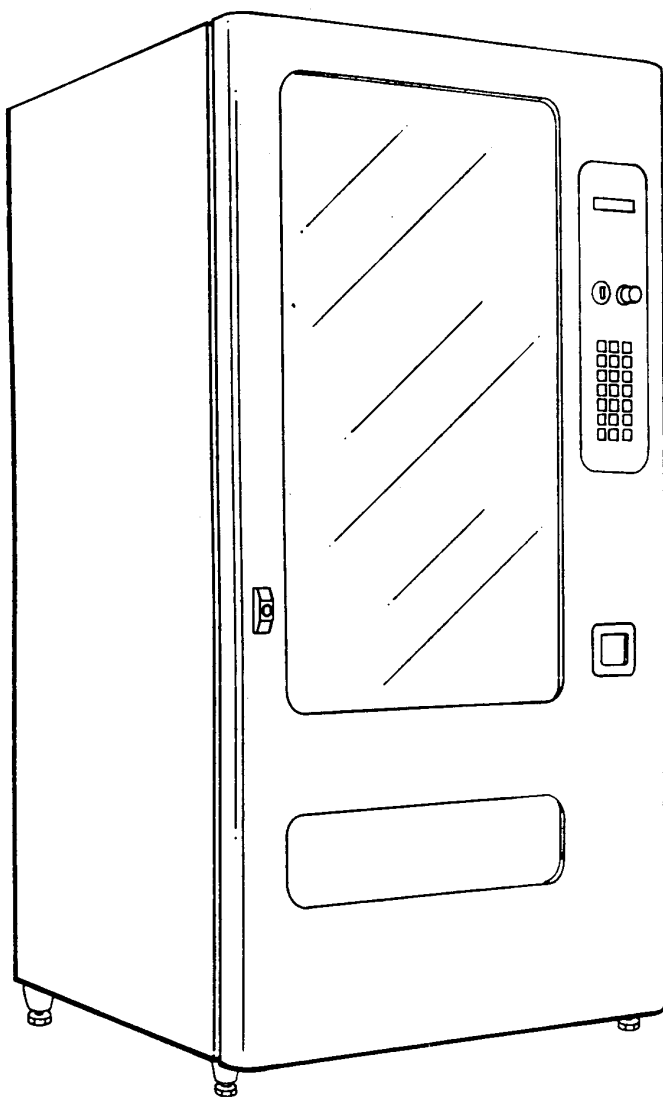


REFRIGERATED EURO ROUND GLASS FRONT MERCHANDISER



SERVICE AND PARTS MANUAL

November, 98

P/N 4208793
Rev C

TABLE OF CONTENTS

SERVICE MANUAL

SPECIFICATIONS.....	1
INTRODUCTION.....	2
UNPACKING.....	2
INSTALLATION.....	3
GROUNDING (EARTHING) & ELECTRICAL	3
LOADING PRODUCTS.....	4
CHANGING AUGER TIMING, TRAY SPACING & TRAY CONFIGURATION.....	5
Auger Timing.....	5
Tray Spacing.....	5
Tray Configuration.....	6
Candy to Snack.....	6
Snack to Candy.....	6
CONTROLLER FUNCTIONS.....	7
Sales Mode.....	7
Service Mode.....	7
Error Messages.....	7
To clear the controller of errors.....	7
Low Level.....	8
Coin Dispense Mode.....	8
Tube Fill Mode.....	8
Motor Count Mode.....	8
Alternate POS Message Mode.....	9
Non-Resetable Totals Mode.....	9
Set Price Mode.....	9
Copy Price Option.....	9
Verifying Vend Prices.....	9
Time Programming Mode.....	10
Test Vend Modes.....	10
Test Vend Single Selection.....	10
Test Vend Complete Row.....	10
Test Vend Complete Machine.....	11
High Level.....	11
No Change Mode.....	11
Forced Vend Mode.....	12
Discount Mode.....	12
Language Mode.....	12
Lottery Odds Mode.....	12
Resetable Totals Mode.....	12
MIS Mode.....	13
Stop Clock Mode.....	13
All Options Off Mode.....	13
Multi-Vend Mode.....	13

Edit POS Message Mode.....	13
Auto Reinstatement Mode.....	14
Promo Vend Mode.....	14
Reset Totals Mode.....	14
Refrigeration Control Mode.....	15
Refrigeration Selection Range.....	15
Defrost Command.....	15
Temperature Display.....	15
Cut-In Temperature.....	15
Cut-Out Temperature.....	15
Set Defrost Duration.....	16
Defrost Start Times.....	16

REFRIGERATION TROUBLESHOOTING 16

TROUBLESHOOTING FLOWCHART..... 19

Initial Startup or Reset.....19

Price Setting.....20

Vend Sequence.....21

Coin Mechanism.....22

CARE & CLEANING..... 23

Cabinet Exterior.....23

Cabinet Interior.....23

Refrigeration System.....23

BEFORE CALLING FOR SERVICE..... 23

PARTS MANUAL

GENERAL INFORMATION..... 26

FINAL ASSEMBLY..... 27

DOOR ASSEMBLY..... 28

Selector Panel Assembly.....30

Delivery Assembly.....32

Light Assembly.....34

CABINET ASSEMBLY..... 36

Tray Assembly – 3- and 4-Wide.....40

Tray Assembly – 5-Wide.....42

Control Panel Assembly.....44

Coin Box Holder Assembly.....46

Cabinet Insulation.....47

Refrigeration Assembly.....48

Evaporator Assembly.....49

Condensor Assembly.....50

WIRING SCHEMATIC..... 52

QUICK REFERENCE SERVICE COMMANDS..... 53

SPECIFICATIONS

This Manual covers the following models:

3106, 3107, 3108: 230 VAC

3115, 3116, 3117: 115 VAC

Physical Dimensions

	Model Numbers		Width		Depth		Weight		Height	
	115 VAC	230 VAC	Inches	Cm	Inches	Cm	Pounds	Kg	Inches	Cm
3-Wide	3115	3106	29-5/16	74	35-1/2	87	577	261	72	183
4-Wide	3116	3107	35-3/16	89	35-1/2	87	648	295	72	183
5-Wide	3117	3108	41	104	35-1/2	87	778	329	72	183

Electrical

230 Volt AC, 50 Hz, 3.75 Amps or

115 Volt AC, 60 Hz, 7.5 Amps

Refrigeration System

Type: 1/3 Hp Hermetically Sealed

Controls: Electronic

Refrigerant: R-134a

Charge: 5.9 Ounces

Factory Configuration

3-Wide: 24 Select - Expandable to 36

4-Wide: 36 Select - Expandable to 48

5-Wide: 40 Select - Expandable to 60

Coinage

MDB version - any MDB peripheral device

INTERNATIONAL DOMESTIC

Mars Executive Mech Mars TRC-6010

Coinco L-Plus Coinco 9302L

INTRODUCTION

This manual contains instructions, service and installation guidelines for the Euro Round Glass Front Merchandiser Series product line.

All Glass Front models are equipped with an electronic control system. All programming of the vend functions, pricing and features is done at the controller. Changes can be made without any additional accessories or remote parts.

Selections can be priced individually from \$.05 to \$99.95 in five cent increments (U.S. currency). When adapted to accept international or foreign currency, the maximum vend price will be 255 times the smallest denomination of coin being accepted.

Cash accountability records Total Cash transactions and Total Vend cycles performed by the vendor. Information for individual selections, complete rows or total machine can be compiled and used for inventory and ordering records.

Electrical malfunctions are recorded and displayed when the machine is placed in the *Service Mode*. Non-functional motors or selections are indicated. Each selection has an individual motor. Functional selections will continue to operate if other motors become nonfunctional.

The vending sequence is "first-in, first-out" for each selection, eliminating the need for stock rotation to maintain fresh products in the vend area.

Each Glass Front vendor has the capability of supporting a "satellite" vending machine, such as a Can Vendor or Food Merchandiser (Menu Mart II). The satellite vendor utilizes the Glass Front Vendor's existing controller, coin mechanism, bill validator and keypad to perform the vend functions they require. For details on the satellite vendor refer to the Service Manual pertaining to the specific vendor for installation instructions.

On air-conditioned Glass Front models the temperature is controlled electronically.

This manual should be read thoroughly to familiarize yourself with the functions of all components, along with the features that are available. The initial set-up of a vending machine is a very important step of insuring that the equipment operates in a trouble-free manner. Following the instructions at the initial installation of the machine will avoid service problems and minimize set-up time.

Should you have any questions pertaining to information in the manual, replacement parts or the operation of the vendor you should contact your local distributor or:

VendNet™
165 North 10th Street
Waukee, Iowa 50263
Phone: 515-274-3641
Parts Fax: 515-987-4447
Sales Fax: 515-274-0390
E-Mail: VendNet@Ecity.net

UNPACKING

This machine was thoroughly inspected before leaving the factory and the delivering carrier has accepted this vendor as their responsibility. Note any damage or irregularities at the time of delivery and report them to the carrier. Request a written inspection report from the claims inspector to file any claim for damage. File the claim with the carrier (not the manufacturer) within 15 days after receipt of the machine.

Carefully remove the outside packing material so as not to damage the finish or exterior of the machine. Inspect the machine for concealed shipping damage. Report any damage hidden by the shipping material directly to the delivering carrier on a hidden damage report.

Record the model number and serial number of the vendor for your records. These numbers can be found on the Serial Plate on the rear of the cabinet and/or inside the vendor. Refer to these numbers on all correspondence and inquiries pertaining to this vendor.

Remove the "Knock-A-Way" Support by placing a 2x6 under the vendor, inserting a screwdriver or prying tool into the groove and splitting it in two. Turn the leveling screws in as far as possible. See **Figure 1**.

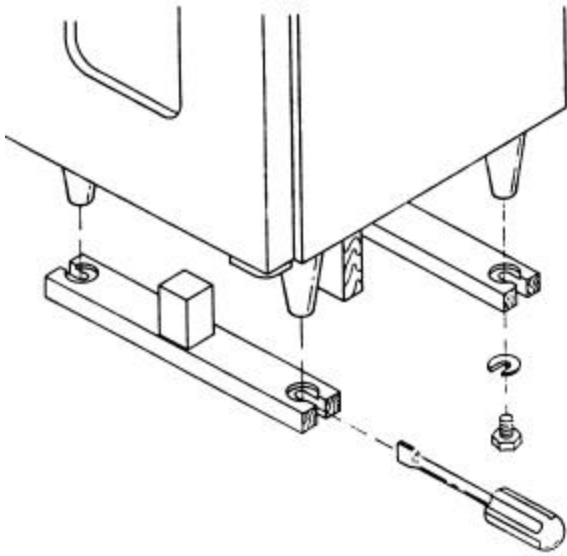


Figure 1

INSTALLATION

Position the vendor in its place of operation no further than nine feet from the power outlet or receptacle and check that the door will open fully without interference. Leave at least six (6) inches of space between the back of the machine and any wall or obstruction for proper air circulation. Level the vendor, making sure all levelers are touching the floor. The vendor must be level for proper operation and acceptance of coins through the coin mechanism.

Retrieve the keys to the vendor from the coin return cup. Open outer door and remove all internal packing material.

Consult local, state and federal codes and regulations before installation of the vendor.

Grounding (Earthing) & Electrical

Before connecting the vendor, the integrity of the main electrical supply must be checked for correct polarity, presence of ground (earth) and correct voltage. These checks should be repeated at 6-month intervals with the routine safety electrical testing of the vendor itself.

To verify that the receptacle is properly grounded and polarized, insert one probe of a Multi-Meter (set to check AC line voltage) or a test light in the ground terminal (hole) and the other probe into the hot terminal of the outlet.

If the receptacle is not properly grounded or polarized, you should contact a licensed electrician to correctly polarize and/or ground the receptacle to ensure safe operation.

A noise suppresser has been installed in this machine to compensate for any mains signal noise that could interfere with the normal operation of the controller.

For proper operation of any equipment utilizing electronically controlled components, the equipment should be placed on an isolated or dedicated noise-free circuit, properly polarized and grounded.

For 115-Volt vendors the circuit should be a minimum 15 Amp, 60 cycle.

For 230-Volt vendors the circuit should be a minimum 7.5 Amp, 50 cycle properly polarized and grounded.

Shown in Figure 2 and Figure 3 are two properly grounded and polarized wall outlets. Figure 2 shows two 230 volt wall outlets. Figure 3 shows a 115 volt, two-wire outlet with a three- plug adapter in place.

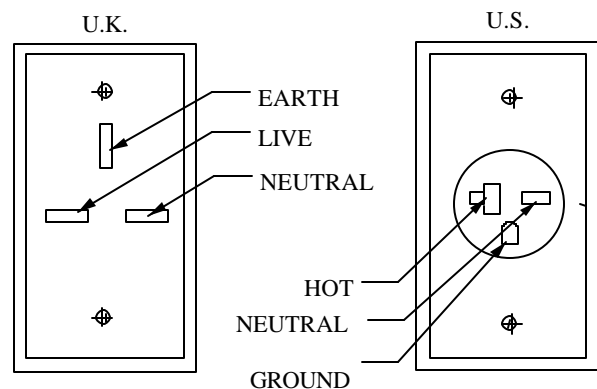


Figure 2. 230 Volt Outlets

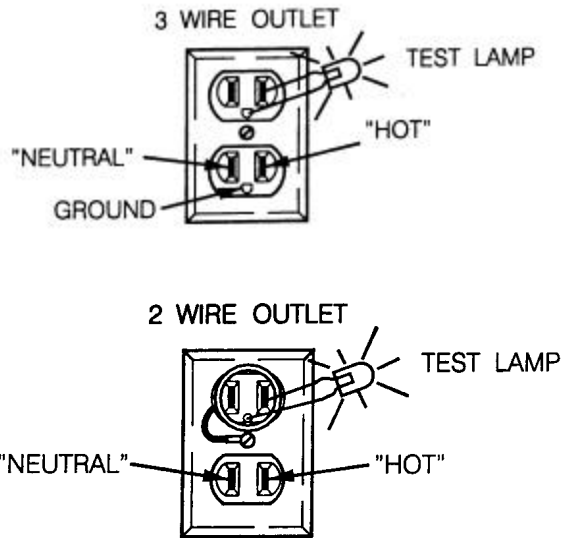


Figure 3. 115 Volt Outlets

NOTE:

The **hot (live)** terminal should always be counter-clockwise from the **ground** terminal. The **neutral** terminal is clockwise from the **ground (earth)** terminal.

LOADING PRODUCTS

To load products, lift the tray slightly and pull forward until the tray stops. The upper-most trays tilt for easier loading.

Load products from front to back, making sure all items fit freely between the augers. Do not attempt to force oversize items or packages into the spaces. Do not skip a space. Place the product on the bottom of the compartment on the product augers, with the label facing the front of the machine for easy identification by the customer. See **Figure 4**.

When finished loading each tray, return the tray to its proper standby position. All trays must be pressed to the rear of the cabinet and properly seated in the "detent" position.

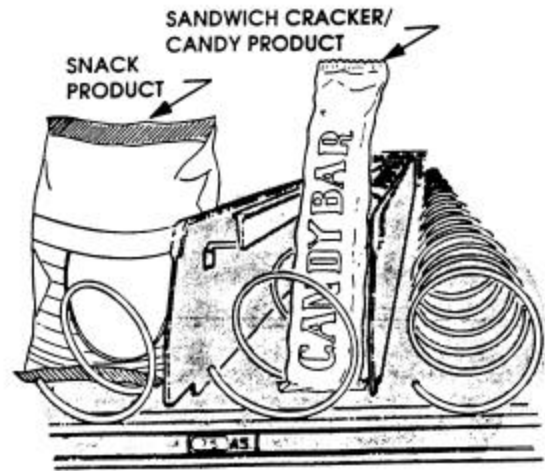


Figure 4. Loading Example

The size of the item being vended must be larger than the diameter of the auger being used to vend properly. Undersize items could cause vend problems. If the product does not fit the auger properly, use a different pitched auger. See Table 1 for augers available from your distributor or service entity.

Table 1. Available Augers

PRODUCT SIZE			AUGER PART NO.
WIDTH	THICK	QTY	
CANDY			
2-3/4	1-3/16	15	4200272-000
2-3/4	15/16	18	4200272-001
2-3/4	21/32	24	4200272-002
2-3/4	1/2	30	4200272-003
2-3/4	1-1/2	12	4200272-004
2-3/4	2-1/32	9	4200272-005
2-3/4	3-3/32	6	4200272-006
SNACK			
5-1/2	1-13/16	10	4200272-007
5-1/2	1-1/2	12	4200272-008
5-1/2	1 -/16	15	4200272-009
5-1/2	2-11/16	7	4200272-010
5-1/2	2-5/8	8	4200272-011

CHANGING AUGER TIMING, TRAY SPACING & TRAY CONFIGURATION

By re-timing the augers, difficult-to-vend items can be dispensed more dependably. By altering tray spacing, larger items can be vended. By changing the tray configuration, different product mixes can be accommodated.

Auger Timing

Each auger can be rotated in 20-degree increments for a different drop-off point. Most items can be vended successfully when the auger end is positioned at 6 o'clock.

To change the auger end position:

1. Remove the motor cover. See **Figure 5**.
2. Raise the motor slightly and pull forward on the auger until it separates from the motor.
3. Rotate the auger to the desired position and re-insert the auger coupling into the motor.
4. Make sure the auger coupling is seated over the vertical rail or retaining rib on the tray.
5. Replace the motor cover making sure it is securely tightened.

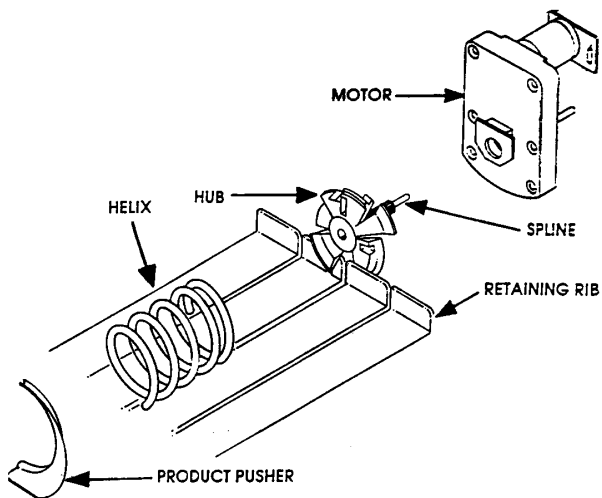


Figure 5

Tray Spacing

The trays can be adjusted up or down in one-inch increments to provide additional headroom for vending taller products. When increasing the height in one area, the same amount of room will be lost at the tray above or below the one being adjusted.

To change tray spacing:

1. Pull out the tray to be adjusted until it stops.
2. Disengage the tray harness from its snap-open harness clamp on the right side wall.
3. Disconnect the tray plug from its receptacle on the right-hand side wall.
4. Lift up on the front of the tray and pull slightly (approximately 1/2 inch/1 cm) forward to clear the tray stop.
5. Lift up on the rear of the tray and remove it from the vendor.
6. Disengage both left and right tray rails from their corresponding slots on the left and right side walls by pulling inward on the bottom front of each rail and lifting its flange out of the slot.
7. Pull each rail forward to disengage its rear tabs from the hole in the rear wall.
8. Re-locate both left and right rails by reversing steps 6 and 7.

NOTE:

Rails must be level from front to back and evenly spaced from top to bottom of each side.

9. Replace the tray by placing its rear rollers on the left and right rails and lifting up on the front of the tray as it is pressed back.
10. Install the tray plug into its receptacle on the right side wall.
11. Re-engage the tray harness into its harness clamp and snap the clamp closed.
12. Test vend the tray in its new position to assure that the tray plug is properly seated.

Tray Configuration

Candy to Snack

1. Order the conversion kit from your local distributor or service entity.
2. Unplug and remove the tray assembly from the vendor. Place the tray harness in the tray before removal.
3. Remove the motor cover and retain any hardware.
4. Remove existing tray divider and discard.
5. Remove existing auger assemblies and discard.
6. Remove the existing "even" numbered motor. This motor will not be needed.
7. Dress terminals removed from the motor around the tray harness and tape in place.
8. Move the "odd" numbered motor to the center slot of the compartment.
9. Install the auger retainer furnished as part of the conversion kit.
10. Install auger assembly furnished as part of the conversion kit, making sure the motor coupling properly engages the motor and is securely snapped over the vertical rail or retaining rib on the tray.
11. Re-assemble the motor cover removed in step 2.
12. Replace the tray assembly into the vendor making sure that the tray is properly located and latched and connect the tray harness
13. Set the selection to the desired vend price and adjust the price scroll to agree.
14. Test vend the converted selections for proper operation and price settings.

NOTE:

In large item selections, the selection numbers will be the "odd" numbers. For example, selections C3 and C4 are converted to a single selection, C3.

Snack to Candy

1. Order the conversion kit from your local distributor or service entity.
2. Unplug and remove the tray assembly from the vendor. Place the tray harness in the tray before removal.
3. Remove the motor cover and retain any hardware.
4. Remove the existing auger assembly and discard.
5. Remove the auger retainer and discard
6. Move motor from the center slot to the left slot in the compartment.
7. Add the new motor furnished as part of the conversion kit in the right hand slot of the compartment.
8. Properly wire the motor and switch. (Refer to the "Schematic" section for wire colors and locations).
9. Add the divider furnished as part of the conversion kit.
10. Install new auger assemblies furnished as part of the conversion kit, making sure the motor couplings properly engage with the motor and are securely snapped over the vertical rail or retaining rib on the tray.
11. Re-assemble the motor cover removed in step 2.
12. Replace the tray assembly into the vendor making sure that the tray is properly located and latched and connect the tray harness.
13. Set the selections to the desired vend price and adjust the price scrolls to agree.
14. Test vend the converted selections for proper operation and price settings.

CONTROLLER FUNCTIONS

Sales Mode

The *Sales Mode* is the normal operating mode of the vendor. While in the *Sales Mode* the following messages may display:

- The scrolling Point of Sales (POS) message displays only if the coin mechanism has an adequate supply of coins in the change tubes. If the change supply falls below the low-level sensors in the change tubes, the **EXACT CHANGE ONLY** message displays.

The POS message is a programmable, 100-character message used to encourage a purchase.

- The **EXACT CHANGE ONLY** message displays if the level of coins in the change tubes is below the low-level sensors.

When the change tubes are low, this message takes priority over the POS message and the **DISCOUNT AVAILABLE NOW** message.

- The **DISCOUNT AVAILABLE NOW** message displays along with one of the above when the *Discount Mode* is activated. Refer to Discount Mode section for instructions.

Service Mode

Use the *Service Mode* to alter programming, establish a new program, and retrieve diagnostic information.

In the *Service Mode* the keys on the keypad perform different functions depending on the specific mode or requirements of the program. Furnished in the Service Packet is a keypad overlay indicating the functions of individual keys while in the *Service Mode*.

To place the controller in the *Service Mode*, press the Service Mode Button on the control board. See **Figure 6**.

Error Messages

Each time the controller is placed in the *Service Mode* the motor circuits are scanned to determine the number of active or operational motors and the battery-backed up RAM is checked.

Immediately record any errors that display. The controller must be cleared of any errors before any changes can be made to the programming.

Possible error messages:

- **BATTERY BACKED RAM FAILURE** displays if the system is unable to access the battery-backed RAM. Call your service entity or distributor for more information.
- **MOTOR=** indicates motors which are jammed. The flagged motors were functional when *Sales Mode* was last activated, but, due to failures or removal, are not in the circuit now.

Faulty motor selection numbers will be displayed in a rotational sequence. If no selection numbers are displayed when the controller is first placed into the *Service Mode*, no electrical problems with motors were detected since the last press of the *Service Mode* switch.

The selection number indicates the area where the problem was detected and will assist service personnel in isolating the source or cause of the problem.

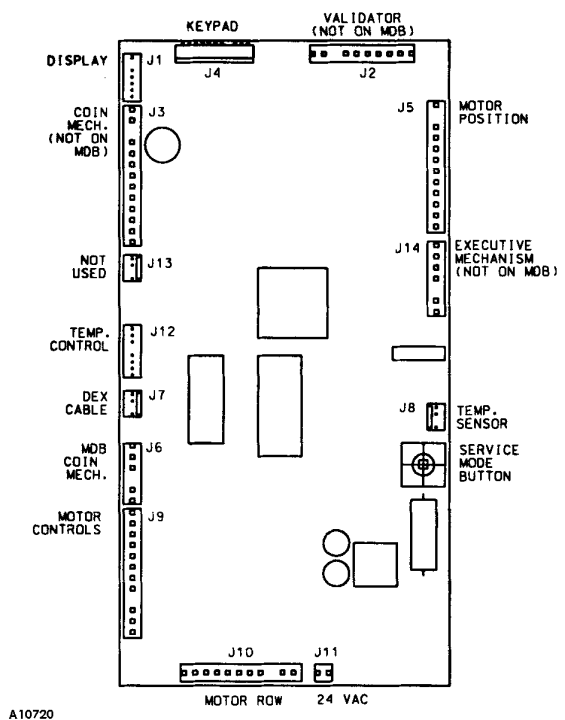


Figure 6

To clear the controller of errors

Press key <A>, then <C>, then <K>. If defective motors were displayed, the errors must be cleared and those motors run successfully from the Test Vend mode of the *Service Mode* before the controller will recognize them as functional.

Service Mode – Low Level

Upon entering the *Service Mode* you are in the *Low Level* and can access the following modes:

Table 2. Low Level Service Modes

Press	To Access Mode
<1>	Dispense Coins
<2>	Display Motor Count
<3>	Alternate POS Message
<4>	Non-Resettable MIS
<5>	Set Price
<6>	Set Time
<7>	Enter High Level
<8>	Test Vend by Selection
<9>	Test Vend by Row
<0>	Test Vend Machine

To exit back to the *Sales Mode*, press <L> twice, or press the Service Mode Button once.

If no keypad input is detected after approximately 25 seconds, the *Service Mode* is exited automatically.

Coin Dispense Mode

In this mode coins stored in the coin mechanism change tubes can be removed.

To access the *Coin Dispense Mode*:

1. In the *Service Mode*, press key <1>. **DISPENSE COINS** displays.
2. Press <A>. The nickel change tube is activated.
3. Press . The dime change tube is activated.
4. Press <C>. The quarter change tube is activated.
5. Press <D>. The dollar coin change tube is activated.

Pressing a key once will pay out one coin. Pressing and holding a key will continuously pay out coins.

NOTE:

If a coin mechanism does not use a certain coin tube, as may be the case of Coinco L+ International coin mechanisms, there will be no activity when the corresponding key is pressed.

Pressing any key other than <A>, , <C> or <D> will exit back into the *Service Mode*.

To exit back to the *Sales Mode*, press <L> twice, or press the Service Mode Button once.

Tube Fill Mode

When a MDB coin mechanism is used the coin change tubes must be filled via the coin mechanism so the controller records the exact number of coins in each coin tube.

To enter the *Tube Fill Mode*:

1. In the *Service Mode*, press <1>. **DISPENSE COINS** displays.
2. Press <F>.

Deposit the coins into the coin mechanism. They are recorded in the controller's memory. Total cash and total vend records are not affected.

Motor Count Mode

This mode displays the total number of functional motors configured, which should be the same as the total number of selections in the machine. Individual selection numbers are not displayed.

To enter the *Motor Count Mode*, in the *Service Mode*, press key <2>. The number of functional motors displays for approximately three seconds in the format **MOTORS XXX**.

EXAMPLE:

If there are 24 functional motors, **MOTORS 024** displays.

If the motor count displayed does not equal the total number of selections in the machine, the electrical circuit of all motors is not complete. To determine what motor(s) are not functioning:

- Were faulty motors displayed when placed in the *Service Mode*? Repair the indicated motors.
- Test vend all selections by pressing the Service Mode Button and pressing the <0> key.
- Refer to the Troubleshooting section of this manual for further assistance.

To exit back to the *Sales Mode*, press the <L> key twice, or press the Service Mode Button once.

Alternate POS Message Mode

In this mode, the scrolling message that is displayed while the machine is in the *Sales Mode* can be altered to include the **EXACT CHANGE ONLY** message.

To access the *Alternate POS Message Mode*:

1. In the *Service Mode*, press <3>. **POS/CORRECT CHANGE ALTERNATE, 1=ALTERNATE ON, 0=ALTERNATE OFF** displays followed by the current status (**ALT OFF** or **ALT ON**).
2. To change the status, press the corresponding key (<1> or <0>) and then <L> to save.

To leave the status unchanged, press <L>.

NOTE:

To change the status, wait for the status to display before pressing a key.

Non-Resettable Totals Mode

The total vends and total cash count can be displayed for individual selections, entire rows, or the entire machine. This information is not resettable to zero.

To enter the *Non-Resettable Totals Mode*:

1. In the *Service Mode*, press <4>. **NON-RESETTABLE TOTALS** displays followed by **??=SEL**.
2. To display totals for an individual selection press the letter, then the number of the selection, such as <A><1> for item A1.
3. To display totals for an entire row press the row letter twice, such as <A><A> for row A.
4. To display totals for the entire machine press <A><L>.

The total number of vends displays, followed by the total cash value for the specified item(s).

Set Price Mode

A vend price must be set for each selection. On items that will be vended at the same vend price, the Copy Price option can be used to duplicate the vend prices.

Make sure the price scrolls on the product shelves agree with the vend prices set, and that the selection labels are properly located below the items they identify.

NOTE:

The "\$" sign is only displayed with the vend price when a U. S. coin mechanism is used.

To set vend prices:

1. In the *Service Mode*, press <5>. **SET PRICE-ENTER SELECTION** displays followed by **??=SEL**.
2. Enter the selection letter and number of the item to be priced. **XX \$XX.XX** displays, with the most significant digit of the price flashing.

EXAMPLE:

If you are pricing selection A1 and the current price is fifty cents, **A1 \$00.50** displays, with the first zero flashing.

3. To leave the price unchanged, press <J>. To change the price, enter the four digits.

EXAMPLE:

If the numbers 0, 1, 2 and 5 were pressed, that item would have a vend price of \$1.25.

- Press <J> to save the new price,
- Press <C> to copy the price to another selection (see the Copy Price Option section below), or
- Press <L> to exit back to the *Service Mode* without saving the changed price.

Once a selection price is saved, **??=SEL** displays, enabling you to continue pricing other selections by repeating steps 3 & 4.

Copy Price Option

To copy the price of one selection to one or more of the other selections, press <C> in Step 3. **COPY PRICE** displays briefly, followed by **??**.

Enter the selection letter and number for the selection to which you want the price copied. The selection number and the price displays briefly for verification. That selection will have the new price.

To exit back to the *Sales Mode*, press <L> twice, or press the Service Mode Button once.

If no keypad input is detected after approximately 25 seconds, the *Service Mode* is exited automatically.

Verifying Vend Prices

The vend price of each selection can be verified while the machine is in the *Sales Mode*. Press the

specific selection letter and number. The current vend price displays for approximately three seconds.

When the controller is in the *Discount Mode* and a time interval has been activated, the discounted price will be displayed.

If that specific selection has been recorded as a faulty motor or has been removed by the controller, **SELECT OTHER ITEM** displays. This indicates that the selection is not functional.

Time Programming Mode

Use this function with the *Discount Mode* to enter the correct time of day into the controller. If desired, the time of day can be displayed along with the POS message.

To set the correct time:

1. In the *Service Mode*, press key **<6>**. **TO SET CLOCK ENTER 'J'** displays continuously.
2. Press **<J>**. The current time displays in the format **TIME XX:XX**, with the most significant digit flashing. The time is displayed in the 24-hour, or military, format.

EXAMPLE:

4:23 P.M is entered as 1623. 8:30 P.M. is entered as 2030.

3. Enter the correct time, then press **<J>** to save the change, or **<L>** to exit without saving the change.

To display the time during the *Sales Mode*, refer to the "Edit POS Message Mode" section of this manual.

To exit back to the *Sales Mode*, press **<L>** twice, or press the Service Mode Button once.

Test Vend Modes

CAUTION:

Because this vendor utilizes DC motors, do not attempt to turn the helix manually or damage to the motor could occur.

The machine can be tested by individual selections, a complete row, or all selections in the entire machine.

The *Test Vend Modes* do not affect the total vends and total cash counts.

Use these modes to identify any faulty motors or motor circuits and, when used in tandem with the

"Troubleshooting" section, to quickly identify problem areas.

The controller will check the motor circuit and, if the circuit is complete and the motor is functional, run the selection through one complete vend cycle. If the motor is not functional, or the motor circuit is not complete on a particular selection or row, the test function will not be made.

Test Vend Single Selection

To test vend a single selection:

1. In the *Service Mode*, press **<8>**. **TEST VEND-ENTER SELECTION** displays, followed by **?? = SEL**.
2. Enter the letter and number of the selection to be tested. If the motor is functional, the motor will run one complete cycle and the selection number and price of the selection being tested will display for the duration of the motor run.

If the test vend is successfully completed, **??=SEL** displays.

If the test vend is unsuccessful, **JAMMED** displays.

To test vend another selection, repeat step 2.

To exit back to the *Sales Mode*, press **<L>** twice, or press the Service Mode Button once.

Test Vend Complete Row

You must observe the testing of the selections to verify the operation, as the controller will skip any motor(s) not sensed on the motor circuit prior to beginning the row test. If none of the motors is sensed when the test sequence starts, the controller will automatically return to the *Service Mode*.

To test vend a complete row of motors:

1. In the *Service Mode*, press key **<9>**. **TEST VEND - ENTER ROW** displays followed by **? = ROW**.
2. Press the letter of the row to test. Beginning with the first motor of that row, each motor runs in sequence. The selection number displays along with the price of the selection being tested in the format **XX=SEL**. Once all motors have been tested, the program returns to the *Service Mode*.

The row test may be stopped at any time by pressing and holding any key. Doing this returns the program to the *Service Mode*.

To test vend another row, repeat steps 2 and 3.

NOTE:

A motor that will not function properly due to a fault or a bad connection will be skipped by the test procedure.

To exit back to the *Sales Mode*, press <L> twice, or press the Service Mode Button once.

Test Vend Complete Machine

You must observe the testing of the selections to verify the operation, as the controller will skip any motor(s) that is not sensed on the motor circuit prior to beginning the row test. If none of the motors is sensed when the test sequence starts, the controller will automatically return to the *Service Mode*.

To test vend the machine:

1. In the *Service Mode*, press key <0>. **PRESS THE 'J' KEY TO VEND ENTIRE MACHINE** displays.
2. Press <J> to start the test vend sequence. Beginning with the first motor of the first row, each motor runs in sequence. The number of the selection displays along with the vend price of the selection being tested in the format **XX = SEL**. Once all motors have been tested, the program returns to the *Service Mode* waiting for further input.

The machine test may be stopped at any time by pressing and holding any key on the selection keypad. Doing this returns the program to *Service Mode*.

To exit back to the *Sales Mode*, press <L> twice, or press the Service Mode Button once.

Service Mode - High Level

To access the High Level of the *Service Mode*:

1. In the *Service Mode*, press <7>. **ENTER CODE** displays followed by **CODE=????**.
2. Enter the fixed access code (1,2,3,4). If the access code is entered correctly, **ACCEPTED** displays, then **HIGH LEVEL**. If the access code is entered incorrectly, **REJECTED** displays, then **SERVICE**.

Once the *Service Mode- High Level* has been accessed, the following functions are available:

Table 3. High Level Service Modes

Press	To Access Mode
<1>	No Change
<2>	Forced Vend
<3>	Discount
<4>	Language
<5>	Lottery Odds
<6>	Not Used
<7>	Resettable Totals
<8>	MIS Totals
<9>	Stop Clock
<0>	All Options Off
<A>	Multi-Vend
	Edit Point Of Sale Message
<C>	Auto Reinstatement
<D>	Promo-Vend
<E>	Reset MIS Totals
<F>	Not Used
<G>	Refrigeration Controls
<H>	Menu Mart (Satellite) Interface

No Change Mode

If an MDB coin mechanism is used and the coins in the change tubes are below the low-level sensors, full credit sometimes may not be refunded on an over-deposit. Activating the *No Change Mode* prevents a vend from being made if the coin mechanism does not have the exact change combination necessary to refund credit on an over-deposit. In the *Service Mode* – High Level,

1. Press <1> to display the current status (**NC ON** or **NC OFF**).
2. Press <1> to turn No Change on or press <0> to turn No Change off.
3. Press <J> to save changes or press <L> to exit to the *Service Mode* without changing the option.

When the *No Change Mode* is off and a refund is required on over-deposit, the coin mechanism will refund as much change as possible. The remaining credit displays. After 20 seconds the credit will be removed. The only way the customer can receive the credit is to deposit the exact change equal to another vend.

Forced Vend Mode

When the *Forced Vend Mode* is on, the customer must make a purchase when a dollar bill is inserted, overriding the "coin return" command. Return of 5¢, 10¢, and 25¢ coins is not affected.

1. Press <2> to display the current status of the *Forced Vend Mode* (**FV ON** or **FV OFF**).
2. Press <1> to turn Forced Vend on or press <0> to turn it off.
3. Press <J> to save changes or press <L> to exit to the *Service Mode* without changing the option.

Discount Mode

This mode provides up to three time intervals when a group of selections can be discounted by a set amount. If a discounting interval is on, **DISCOUNT AVAILABLE NOW** displays alternately with the POS message during the *Sales Mode*.

WARNING:

Any selection with a vend price equal to or less than the discount amount will be free vended.

1. Press <3>. **DISCOUNT GROUP=1 2 3** displays. Discount groups that are on will be flashing.
2. Press <1>, <2>, or <3> to select the group to edit. After a group is selected, the status of that group displays along with **GRP # OFF**.
3. Press <1> to turn that group on or press <0> to turn that group off. **ROW -1** displays.
4. Press the letter corresponding to the beginning row for the discount group and then press <0> to continue. **TO -0** displays.
5. Press the letter corresponding to the ending row and then press <0> to save. **DISC \$00:00** displays.
6. Enter the amount for the discount. Press <J> to save the price, or press <L> to exit without saving. **TIME 00:00** displays.
7. Enter the discount start time. Press <J> to save the time, or press <L> to exit without saving. **TO 00:00** displays.
8. Enter the discount end time. Press <J> to save the time, or press <L> to exit without saving.

9. Additional discounts can now be changed, or press <L> to exit to the *High Level Service Mode*.

Language Mode

There are five pre-programmed languages and one auxiliary (user defined) option. Only one of these language choices may be used:

B = DUTCH E = ENGLISH

F = FRENCH G = GERMAN

H = SPANISH D = ITALIAN

A = Auxiliary (user-defined)

Press <4> to display the set language. To change the language, press the appropriate letter, followed by <J> to save. Press <L> to exit.

If the auxiliary language <A> is chosen, the equivalent of the following six messages can be entered.

- "USE CORRECT CHANGE"
- "USE COINS ONLY"
- "MAKE ANOTHER SELECTION"
- "SELECT FREE ITEM"
- "DISCOUNT AVAILABLE NOW"
- "YOU WIN"

Thirty (30) character are available for each message. The messages are viewed or edited using the same method as the POS message, described under the "Edit POS Message" section of this manual.

Lottery Odds Mode

This mode awards a free vend to the customer during the *Sales Mode*, displays **YOU WIN**, and sounds five beeps.

1. Press <5>. **ODDS=0000** displays.
2. Enter the desired odds. The odds number represents the fixed number of vends between lottery winners.

EXAMPLE:

Setting the odds at **0100** the controller would initiate a free vend every 100th vend.

3. Press the <J> key to save or press <L> to exit without saving.

Resettable Totals Mode

The MIS (Management Information System) total vends and total cash count can be displayed by individual selections, entire row, or entire machine

Press <7>. **RESETTABLE TOTALS** displays followed by **??=SEL**.

- Enter an individual selection, such as <A><1>, to display the total vends and total cash for that selection.
- Totals for an entire row can be shown by pressing <A><A> to display row **A** totals, for **B**, etc.
- To display the entire machine totals, press <A><L>.

The sales information in this function is resettable to zero by following the instructions outlined as in the High Level “Reset Totals to Zero Mode” section.

MIS Mode

1. Press <8>. **<A>=TOTAL VENDS**
=TOTAL CASH <C>=TOTAL VALUE
CARD <D>=TOTAL LOTTO/PROMO
<E>=TOTAL BILLS <F>=TOTAL
DISCOUNTS displays followed by **?=CHOICE**.
2. Press a letter once to display the total message and amount.
3. Press a letter twice to skip the total message and only display the amount.
4. Press <L> to exit to the High Level.

Stop Clock Mode

If the machine is to be placed in storage or out of operation for an extended period of time, the clock should be stopped to preserve the life of the battery.

Press <9>. **TO STOP CLOCK ENTER ‘J’** displays. Press <J> to stop the clock and exit. Press any other key to exit with the clock running.

All Options Off Mode

Press <0> to turn off *Forced Vend*, *Multi-Vend* and *Discount modes* without having to access each option individually.

Multi-Vend Mode

When on, instead of immediately returning the change after a vend, the credit will remain on the display for up to 25 seconds. To receive change on an over-deposit, the coin return button must be pressed. If a coin return is not requested within 25 seconds the change will then be returned.

1. Press <A>. The status displays (**MV ON** or **MV OFF**).
2. Press <1> to turn Multi-Vend on.
Press <0> to turn Multi-Vend off.
3. Press <J> to save changes or press <L> to exit to without changing the option.

Edit POS Message Mode

The Point of Sales (POS) message can be used as advertising or as an encouragement to the customer to purchase products. The POS message displays continuously while the machine is in the *Sales Mode* as long as the coin mechanism has an adequate supply of coins in the change tubes. If the coins are below the low-level sensor in the change tubes, the **EXACT CHANGE ONLY** message displays.

Messages can be up to 100 characters including spaces. While in this mode the keypad functions similar to a typewriter keyboard.

A Keypad Overlay is furnished in the Service Packet defining the positioning of the characters. See **Figure 9**. By placing the overlay over the selection panel, the owner operator can “type” the new message into the controller's memory. Each key can be used to type in two different characters. To type the “upper” character, press the key; to type the “lower” character, press <NEXT MENU>, then the key.

To enter a new message or edit an existing message:

1. Press .
2. Type in the new message. For special effects, see **Table 4**.
Use the keypad overlay for the location of characters on the keypad.
3. Press the <NEXT MENU> key twice to save the message.

NOTE:

If the <NEXT MENU> key is not pressed twice, portions of the previous message may remain.

A	G	N	Upper Character
K	Y	4	
B	H	O	Lower Character
Q	Z	5	
C	I	P	
U	0	6	
D	J	R	
V	1	7	
E	L	S	
W	2	8	
F	M	T	
X	3	9	
SPACE	NEXT MENU	BACK SPACE	
*	ENTER	\$	

Figure 9

Table 4. Available Special Effects

Press	To
<*> + 	Beep once
<*> + <D>	Display the temperature of the refrigerated compartment
<*> + <H>	Scroll message horizontally (default)
<*> + <P>	Pause the display 0.5 seconds per occurrence
<*> + <T>	Display time in 12-hour format
<*> + <V>	Scroll the following portion of the message vertically

Auto Reinstatement Mode

Use this feature for a satellite can drink or similar vendor utilizing a sold-out or empty switch. Normally, when an empty selection is detected during an attempted vend, that selection is flagged inoperative and requires resetting before it can be vended again. The satellite units use a range of selections within the controller and use a switch in series with the motor as a sold-out switch. Programming this range of selections into the auto reinstatement will eliminate the necessity of resetting the controller after re-loading a selection that had went into an empty condition.

1. Press <C>. **INPUT RANGE** **AUTO-** displays followed by **1=ON 0=OFF**.
2. Press <0> to turn off this feature and exit to the High Level, or
Press <1> to turn on this feature. **BEGIN --** displays.
3. Enter the beginning alphanumeric selection.
4. When the alpha is flashing, press <0> to save the setting. **END --** displays.
5. Enter the ending alphanumeric selection.
6. Press <0> to save the setting and exit.

Promo Vend Mode

Use this mode to promote new items. It enables the customer to buy one item, (within one of three programmable ranges) and get a second item (within a programmable range) free.

When a customer purchases an item from a promo group, **SELECT FREE ITEM** displays one time, followed by **XX TO XX**, indicating the range of free items available. This will scroll continuously for 25 seconds or until a patron selects the free item. If a selection outside the free range is selected, or if a free vend fails, the vendor will beep and display **PLEASE MAKE ANOTHER SELECTION** once before returning to **XX TO XX**.

1. Press <D>. **PROMO GROUP = 1 2 3** displays. Promo groups that are on are flashing.
2. Press <1>, <2>, or <3> to select a group to edit. The status of that group is displayed with **GRP X OFF**, where X is the group number.
3. Press <1> to turn group X on, or press <0> to turn group X off. **BUY-** displays.
4. Enter the beginning selection in the *buy* range and press <0> to save the setting. **TO -** displays.
5. Enter the ending selection in the *buy* range and press <0> to save the setting. **FREE -** displays.
6. Enter the beginning selection in the *free* range and press <0> to save the setting. **TO -** displays.
7. Enter the ending selection in the *free* range. Press <0> to save an exit.

Reset Totals Mode

This function resets to zero all resettable individual motor counters. The information stored in the non-resettable counters will not be affected.

1. Press <E>. **RESET MIS?** displays.
2. Press <J> to reset MIS and exit. Press any other key to exit without resetting the MIS.

Refrigeration Control Mode

Press <G>. Seven options display. To select an option, press the specified key.

Table 5. Refrigeration Control Mode Options

PRESS	OPTION	ENTER
<0>	Refrigeration Selection Range	Begin (Sel) + <0> End (Sel) + <0> <1> = On <0> = Off
<1>	Defrost Command	<D> = Start <L> = Abort
<2>	Temperature Display	<F> = Fahrenheit <C> = Celsius <L> = Abort
<3>	Cut-In Temperature	<1> = Plus (+) <0> = Minus (-) Enter Temperature
<4>	Cut-Out Temperature	<1> = Plus (+) <0> = Minus (-) Enter Temperature
<5>	Defrost Duration	10 Min. Recommended
<6>	Defrost Start Times	Recommendation - All Times Set To 00.00

Refrigeration Selection Range

This is a “Health Safety” feature that prevents the sale of items if the temperature inside the cabinet area exceeds 45°F (7.2°C). Due to the operating temperature range of this vendor this feature should be turned off at all times.

1. Press <0>. **INPUT REFRIGERATED SELECTION RANGE** followed by **BEGIN--** displays.
2. Press <0>. **END** displays.
3. Press <0>. **1=ON 0=OFF** displays.
4. Press <0>, and the Refrigeration Control Menu displays.

Defrost Command

To manually defrost the vendor:

1. Press <1>. **PRESS ‘D’ FOR MANUAL DEFROST ‘L’ TO ABORT** displays.
2. Press <D> for manual defrost or <L> to abort and return to the Refrigeration Control Menu. To set the duration of the defrost cycle, see the Set Defrost Time section.

Temperature Display

To change the units in which the temperature displays, press <2>. Then, press <F> to display the temperatures in Fahrenheit, or press <C> to display the temperatures in Celsius.

Or, press <L> to quit without saving and return to the Refrigeration Control Menu.

Cut-In Temperature

This feature controls when the compressor will turn on. The factory setting is +65°F (+18°C). The maximum cut-in temperature is +70°F (+21°C).

1. Press <3>. **CUTIN +--** displays.
2. Press <1> to enter a plus (+).
3. Enter the desired temperature at which the compressor will turn on. Keep in mind the recommended factory setting of 65°F.
4. Press <J> to save the new setting and return to the Refrigeration Control Menu.

Cut-Out Temperature

This feature controls when the compressor will turn off. The factory setting is +58°F (+14°C). The maximum cut-out temperature is +65°F (+18°C).

1. Press <4>. **CUTOUT +--** displays.
2. Press <1> to enter a plus (+).
3. Enter the desired temperature at which the compressor will turn on, keeping in mind the recommended factory setting of +58°F.
4. Press <J> to save the new setting and return to the Refrigeration Control Menu.

Set Defrost Duration

This feature controls the amount of time the system remains in a defrost cycle. The factory setting is 10 minutes. The maximum defrost time is 39 minutes.

1. Press <5>. **DF TIME XX** displays.
2. Enter the desired duration.
3. Press <J> to save the new setting and return to the Refrigeration Control Menu.

Defrost Start Times

This feature controls when the system will automatically be placed into a defrost mode. Up to four (4) defrost times are available for up to 39 minutes each. The factory settings are set to **00.00** as a defrost is normally not necessary. If the recommended setting does not provide optimum results in your environment, the settings may be tailored to suit your needs.

1. Press <6>. **DEFI 00.00** displays.
2. Enter the first defrost time (in 24-hour format).
3. Press <L> to save and continue to the next cycle. When all four times are set and saved the Refrigeration Control Menu displays

NOTE:

The vendor will automatically go into a defrost cycle if the compressor runs continuously for 2 hours.

REFRIGERATION TROUBLESHOOTING

If the refrigeration unit is turned off or the power is interrupted, the refrigeration unit will not start for at least three (3) minutes regardless of the temperature.

Know and understand how to service the unit and how it operates. Units may vary, but the operation is basically the same. Never guess at the problem; find the symptom before attempting any repair.

NOTE:

Most refrigeration problems are electrical.

The sealed hermetic system was not meant to be worked on outside the Factory Service Center. The three things that can go wrong with a sealed system and should be repaired at the Factory Service Center are:

1. Low Charge - usually caused by leaks; look for oil around seals and welds. Unit will not cool properly. The capillary tube will be frosted before it enters the evaporator inlet tube.
2. Restriction in Systems (unit frosts, then melts) - not cooling properly.
3. Bad valves - unit does not cool properly; noisy compressor.

Compressor will not start

Compressor has no power:

- Machine not plugged in.
- Tripped breaker or blown fuse.
- Faulty wall outlet.
- Short or tear in power cord.
- Thermistor circuit is open. Check with the Multi-Meter.
- Improper wiring.
- Low voltage: 5 % below. Check the power source with the Multi-Meter.
- Overload defective: Trips too fast. Check overload with the Multi-Meter.
- Start relay defective: Check start relay with the Multi-Meter.
- Compressor has open windings. Check compressor windings with a Multi-Meter.
- Defective refrigeration relay.
- Unplug power to the machine; remove the relay plate. Use an insulated jumper wire to short the wires on relay terminals 2 and 4 or 6 and 8; then restore power to the machine. The compressor should start, indicating a problem in the control circuit.
- Check relay terminals 1 to 0 with a Multi-Meter. Should have 24VDC applied to them.
- No DC voltage: Check control board output terminal for a loose connection.

Compressor trips on Overload

1. Improper voltage: 5-10% above, 5% below. Check power source with Multi-Meter.
2. Overload defective: Trips too fast. Check overload with Multi-Meter.
3. Relay defective: Won't open after starting. Check relay with Multi-Meter.
4. Compressor has shorted windings: Check compressor windings with Multi-Meter.
5. Short in other component: Isolate and eliminate each electrical component until short is found.
6. Compressor is too hot.
 - Dirty condenser.
 - Faulty condenser motor or blade.
 - Restricted air flow.

CAUTION:

Condenser must be kept clean of dirt and debris to allow for proper air circulation.

Noisy or vibrating unit

1. Components rubbing or touching each other.
 - Check fan blades and motor.
 - Loose shrouds and harness.
 - Copper tubing.
 - Loose or unsecured parts.
2. Worn or aged grommets.
3. Compressor
 - Bad valves
 - Slugging
 - Bad windings (See Schematic 1.)
 - Low voltage

Unit short cycles

1. Thermistor defective or not mounted in the return air duct.
2. Defective control board.
3. Temperature setting set too warm. See "Refrigeration Controls Mode" section of this manual.

Unit operates long or continuously

1. Thermistor defective or not mounted in the return air duct.
2. Refrigeration relay shorted.
3. Air flow restricted
 - Faulty evaporator motor or blades causing coils to ice over.
 - Loose connections on evaporator motor. (One motor not running.)

- Air flow blocked by product in front of evaporator or air duct openings
4. Gasket leak around door.
 5. Excessive load: After loading, unit will run longer to pull out excessive heat from product.
 6. Shortage of refrigerant or restriction.
 7. Bad controller.

Refrigerated space too cold

- Thermistor defective. Check with Multi-Meter.
- Refrigeration control setting too cold. See "Refrigeration Controls Mode" section of this manual.
- Refrigeration relay bad. Check with Multi-Meter.
- Faulty control board.

Refrigerated space too warm

1. Thermistor defective. Check with Multi-Meter.
2. Refrigeration control setting too warm. See "Refrigeration Controls Mode" section of this manual.
3. Refrigeration relay bad
4. Faulty control board
5. Restricted evaporator space
 - Evaporator motor or blades faulty, causing the coils to ice over the evaporator
 - Condenser air flow restricted
 - Plugged or dirty condenser
 - Condenser motor or blades bad
 - Blade stuck
 - Condensing space restricted
 - Unit placed too close to a wall.
 - Compressor - bad valves
 - Capillary tube will start frosting 8 to 10 inches past evaporator connection tube.
 - Check for oil around brazed connections.

Troubleshooting circuits with Multi-Meter

- Check the power source. Use voltage section of the Multi-Meter. Should measure within 5-10% above, 5% below.
- Check overload.

NOTE:

Power must be off and fan circuit open.

Using the resistance section of the Multi-Meter, check terminals 1 and 3 for continuity. If no continuity is measured (infinity), overload may be tripped. Wait 10 minutes and try again. If still no continuity, overload is defective.

- Check relay (See **Schematic 1**) Unscrew lead terminals and remove relay from compressor. (NOTE: keep relay upright)
Check terminals 1 and S, or L and S with the Multi-Meter. Replace relay if continuity exists.
- Check thermistor with the Multi-Meter.
- Check compressor windings as shown in **Schematic 1**.

Check winding resistance with the Multi-Meter. If readings are not within 2 Ohms, the compressor is faulty.

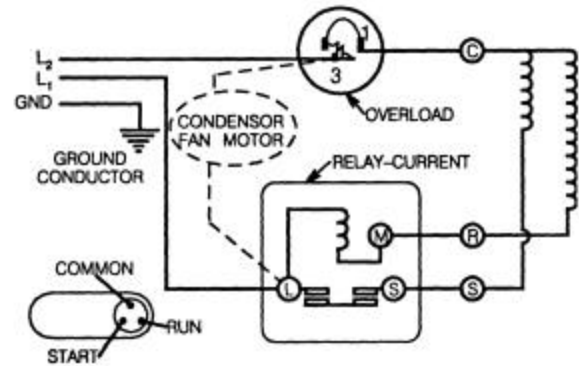
WARNING:

Wiring diagrams must be followed as shown. Any miswiring can cause serious electrical hazard and potential damage or rupture component electrical parts

Table 6. Winding Resistance

Approximate resistance reading across terminals - use RXI scale:

COMMON to START:	12 Ohms
COMMON to RUN:	2 Ohms
RUN to START:	14 Ohms
COMMON to SHELL:	No Continuity



Schematic 1

Refrigeration Unit Removal

The refrigeration unit is a hermetically sealed completely self-contained modular 1/3 H.P. unit charged with 5.9 ounces of ozone-friendly R-134-a refrigerant. The complete refrigeration unit can be removed if there is a service problem.

CAUTION:

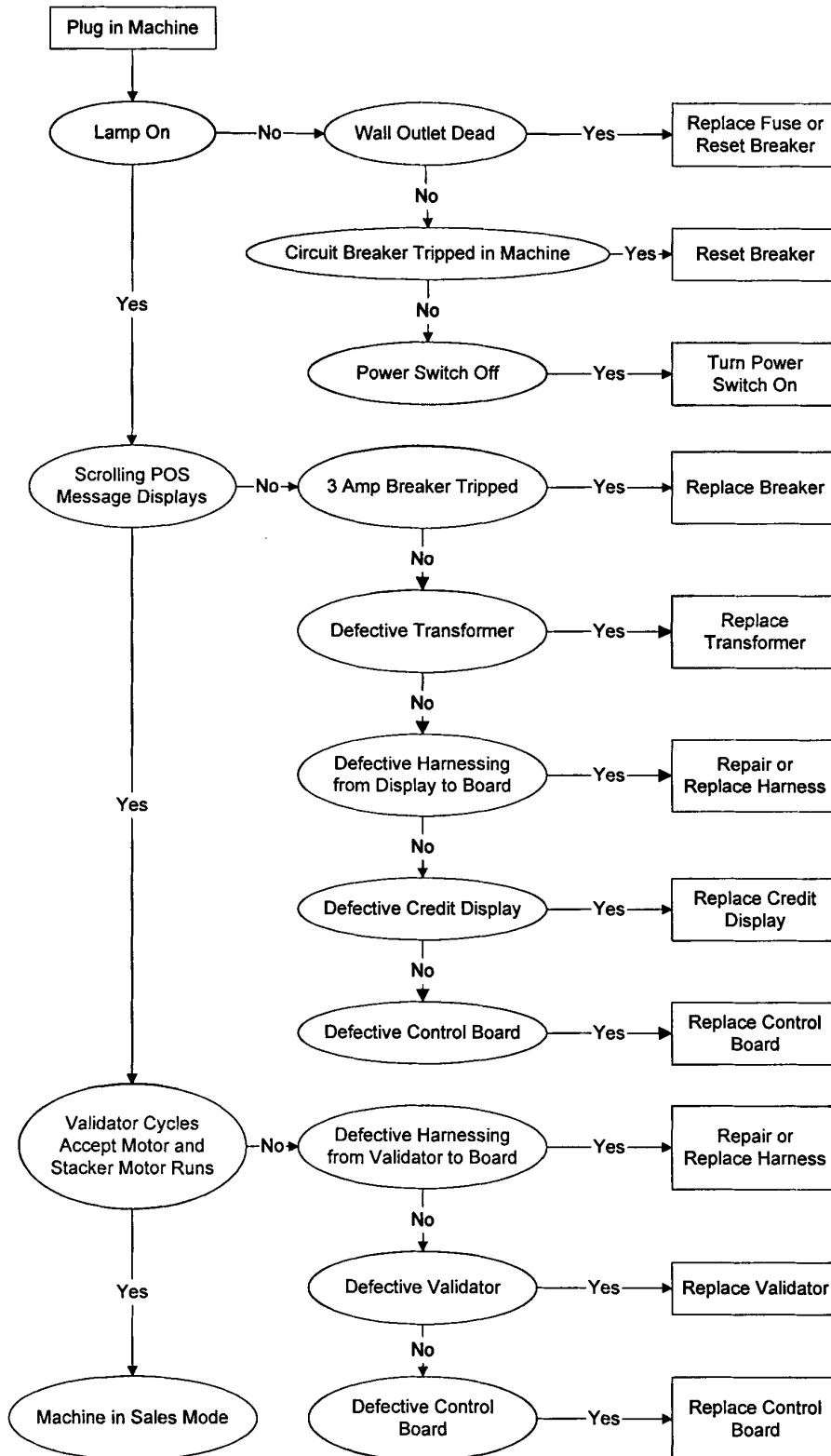
Do not place any object in the evaporator assembly area or inside the cabinet area that will block the air flow. This may damage the refrigeration system, which may void the refrigeration warranty.

1. Unplug the power cord.
2. Open the door.
3. Remove the screws at the bottom, front of the cabinet (three in 3-Wide).
4. At the front corners, pry up with fingers. Lift enough to clear the foam over the lip.
5. Tip the back up and rock to remove the cover.
6. Take the screen out and clean.
7. Unplug the refrigeration harness on the right, back side of unit.
8. Unplug the tray harness and remove the bottom tray.
9. Remove the right side rail.
10. Loosen the screws on the brackets holding the refrigeration unit in place. Slide the keyhole slots off.
11. Move the sensor cord out of the way.
12. Pull refrigeration unit forward and lift out.

To reinstall the unit, follow the preceding steps in reverse.

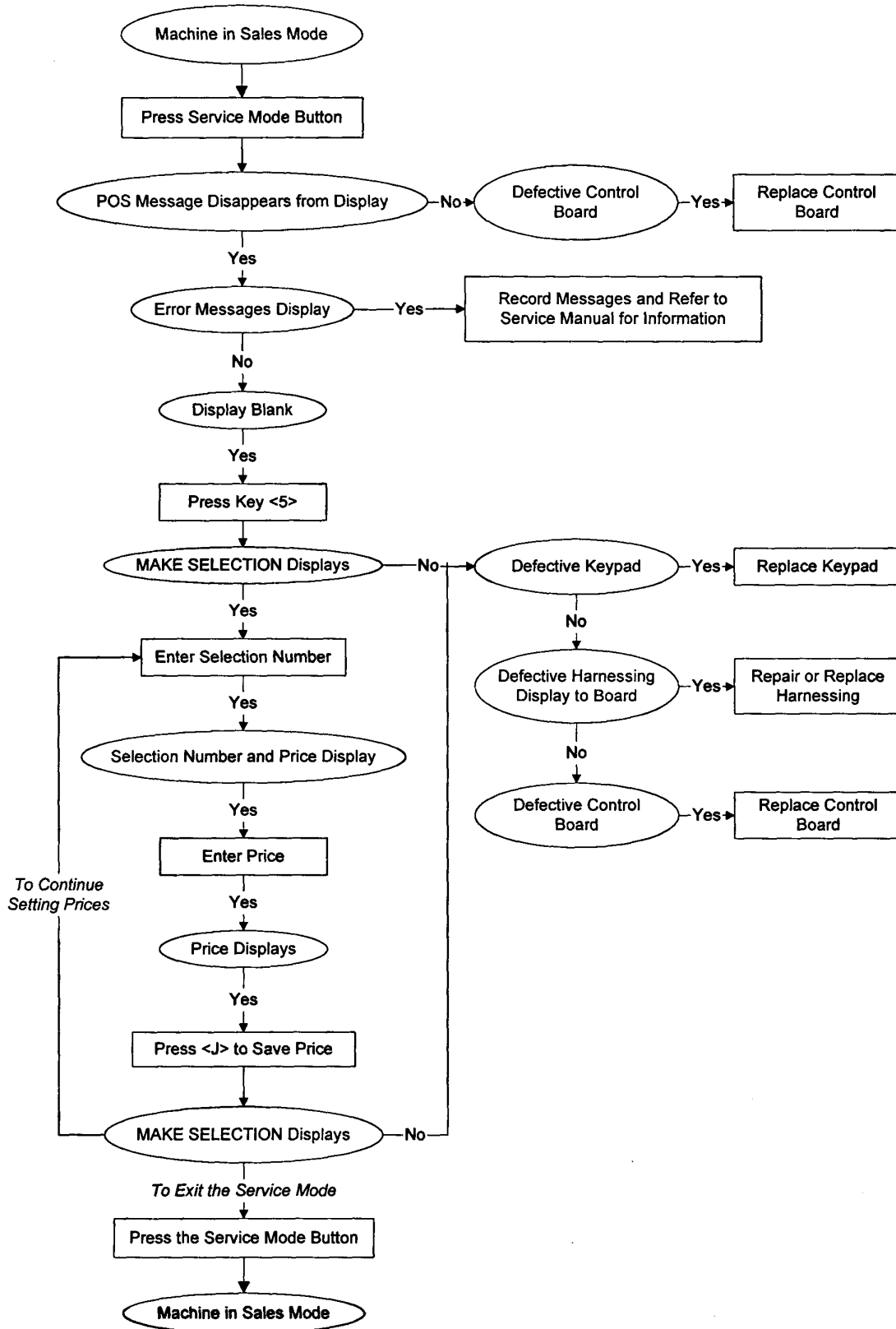
TROUBLESHOOTING FLOWCHART

Initial Startup or Reset

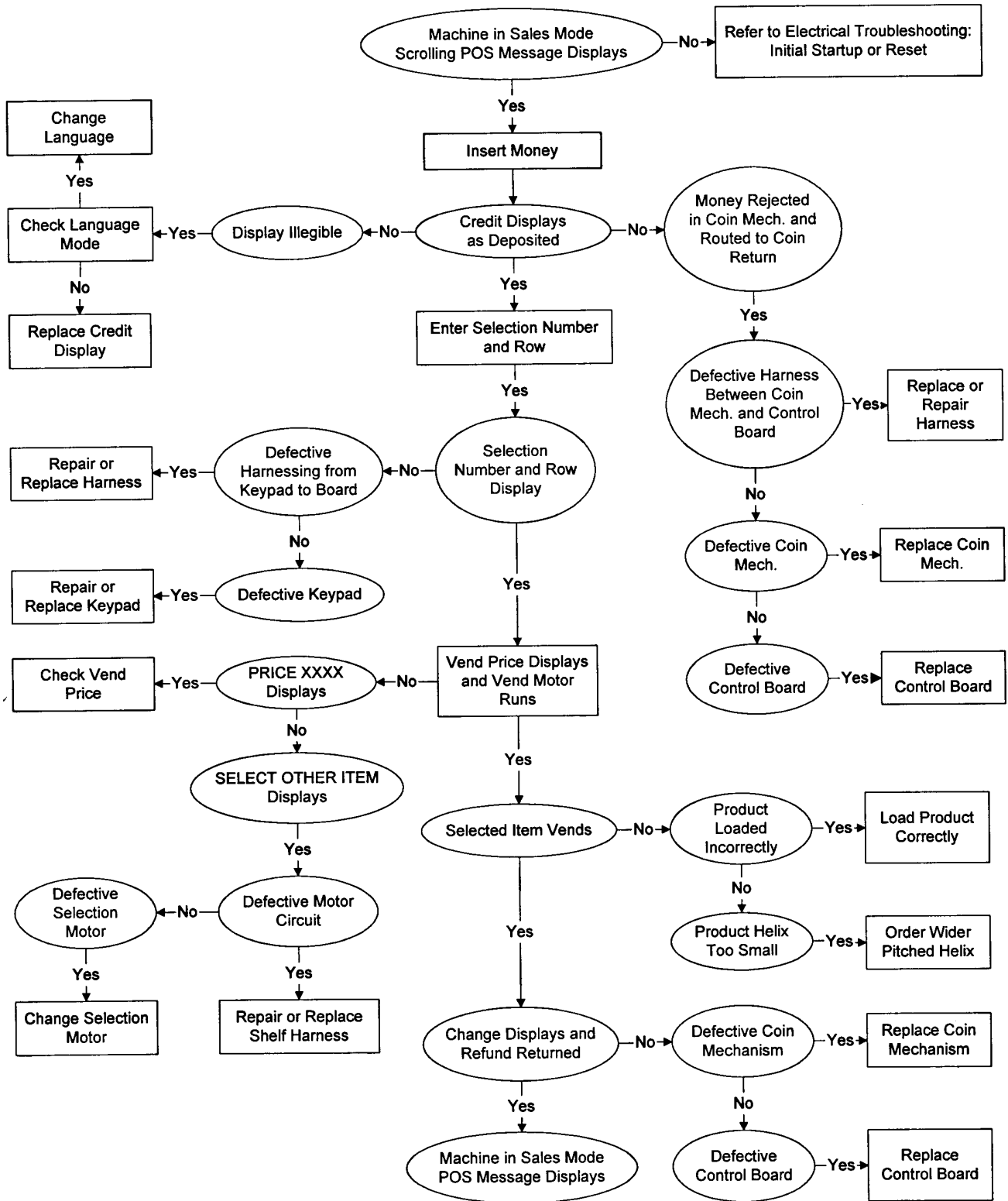


TROUBLESHOOTING FLOWCHART

Price Setting

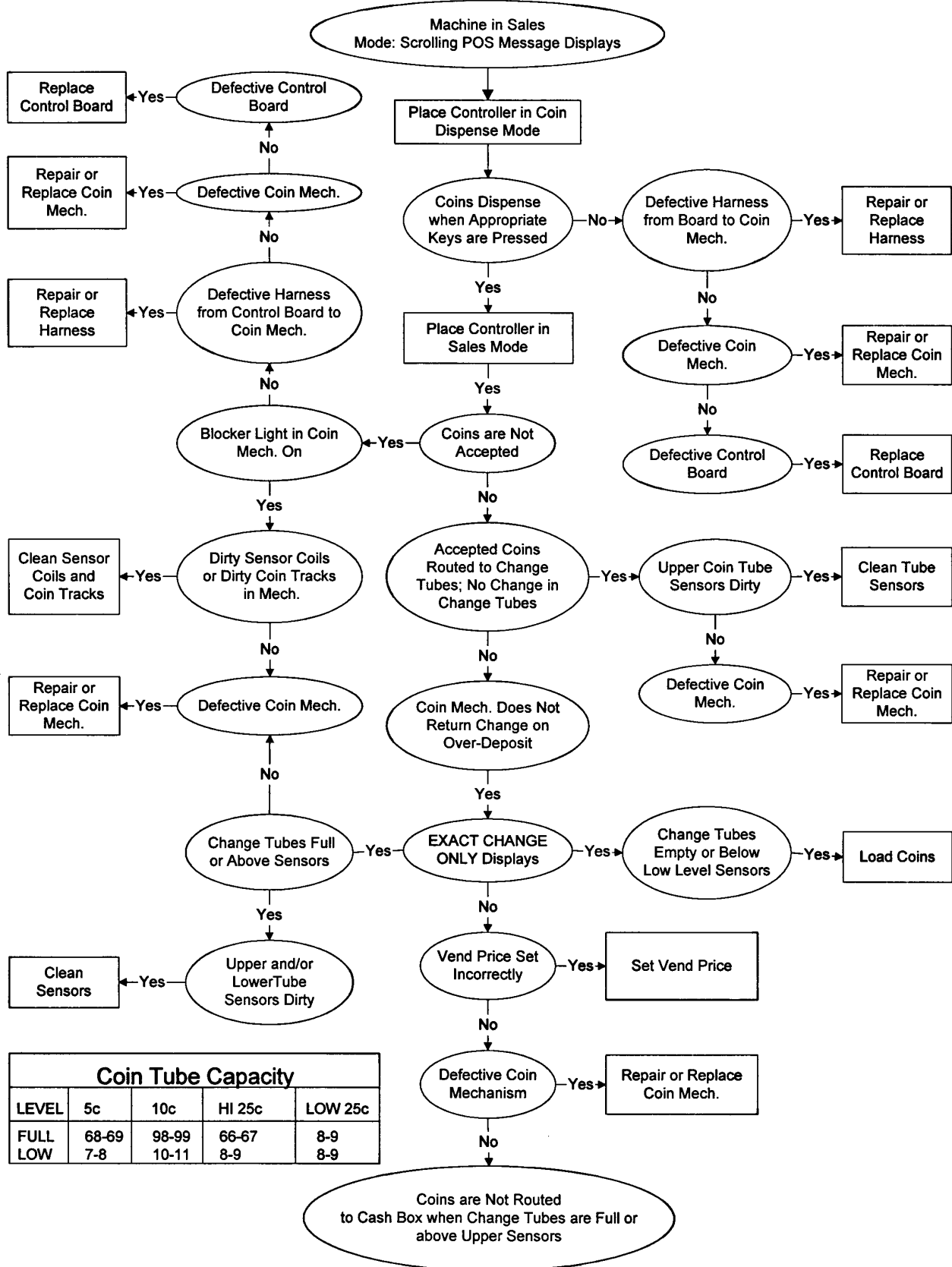


Vend Sequence



TROUBLESHOOTING FLOWCHART

Coin Mechanism



Coin Tube Capacity				
LEVEL	5c	10c	HI 25c	LOW 25c
FULL	68-69	98-99	66-67	8-9
LOW	7-8	10-11	8-9	8-9

CARE & CLEANING

WARNING:

Always disconnect the power source before cleaning.

Cabinet Exterior

Wash with a mild detergent and water, rinse and dry thoroughly. Wipe occasionally with a quality car wax. Plastic exterior parts may be cleaned with a quality plastic cleaner.

Cabinet Interior

Wash with mild detergent and water. Eliminate odors by including baking soda or ammonia in the cleaning solution. Remove and clean drain hose to eliminate any deposits that may restrict condensate water flow.

The vend mechanisms must be kept clean. Any build-up can cause the mechanisms to malfunction. Use soap and water with great care so as not to get water into the electrical components.

To insure proper vending keep delivery slide area free of dirt and sticky substances.

Refrigeration System

Clean dust from condenser and screen in the front door with a soft bristle brush or vacuum cleaner. Remove any dirt or debris from the refrigeration system compartment. Remove and clean the condensation pan.

Do not block the evaporator or any area of the air flow with product or supplies.

BEFORE CALLING FOR SERVICE

Please check the following:

- Does your machine have at least 6" of clear air space behind it?
- If the power is turned on at the fuse box, is the machine the only thing that doesn't work?
- Is the machine plugged directly into the outlet?

WARNING:

Extension cords cause problems.
DO NOT USE EXTENSION CORDS.

- Is the evaporator coil free of dust and dirt?
- Is the condenser coil free of dust and dirt?
- Is the compressor free of dust? (A blanket of dust can prevent the compressor from cooling off between workouts).
- Is the circuit breaker at the fuse box reset?
- Are evaporator fans running? Fold a sheet of 8 1/2" x 11" paper in half from top to bottom so it is now 8 1/2" x 5 1/2". Place the paper in front of the evaporator coil and see if the evaporator fans will blow the paper away.
- Is the condenser fan running? Fold a sheet of 8 1/2" x 11" paper in half. Place the paper in front of the condenser coils and see if it draws the paper to it.
- Is the shelf in front of the evaporator coil clear? (No tools or other air-restricting items).
- Is the cold control set between 0 and 2?

NOTE:

Setting the temperature colder does not accelerate cooling of product.

PARTS MANUAL

GENERAL INFORMATION

You may order direct from your distributor or through VendNet™. If you have any questions when placing your order, please call and we'll be happy to assist you. Please provide the following information when placing your order:

- Quantity Required
- Part Number
- Shipping and Billing Address
- Description
- Preferred Method of Shipment
- Vendor Model Number
- Customer Account Number
- Serial Number

MINIMUM ORDER \$25.00. You may wish to inquire on prices of parts at the time of your order. If you order less than the minimum, please check our catalog for other parts you may require to bring your order up to the minimum order.

Payment

OPEN ACCOUNT with approved credit.

MASTER CARD - VISA - C.O.D.

Order by Mail

You may place your order for replacement parts by providing the necessary information as requested above, and mailing your order to:

VendNet™
165 North 10th Street
Waukee, Iowa 50263-0488

Order forms are available upon request from VendNet™, or you may use your own purchase order form.

To Order by Fax

You may Fax your order for replacement parts by providing the necessary information as requested above to VendNet™. 1-515-987-4447

To Order by Phone

USA 1-800-833-4411
Canada 1-800-858-4730
Other locations 1-515-274-3641

You may call in your order for replacement parts. Ask for the VendNet™ Parts Department. Please provide the necessary information, as requested above, to allow us to provide you with prompt courteous service.

Returns

A restocking charge of 20% will apply to merchandise accepted by VendNet™ for return, except items processed as warranty.

All returned items must be accompanied by a Return Form clearly stating the reason for return. Returns are to be shipped freight prepaid to VendNet™, 165 North 10th Street, Waukee, Iowa 50263-0488. (Return Forms are available upon request from VendNet™.)

Limitation of Liability

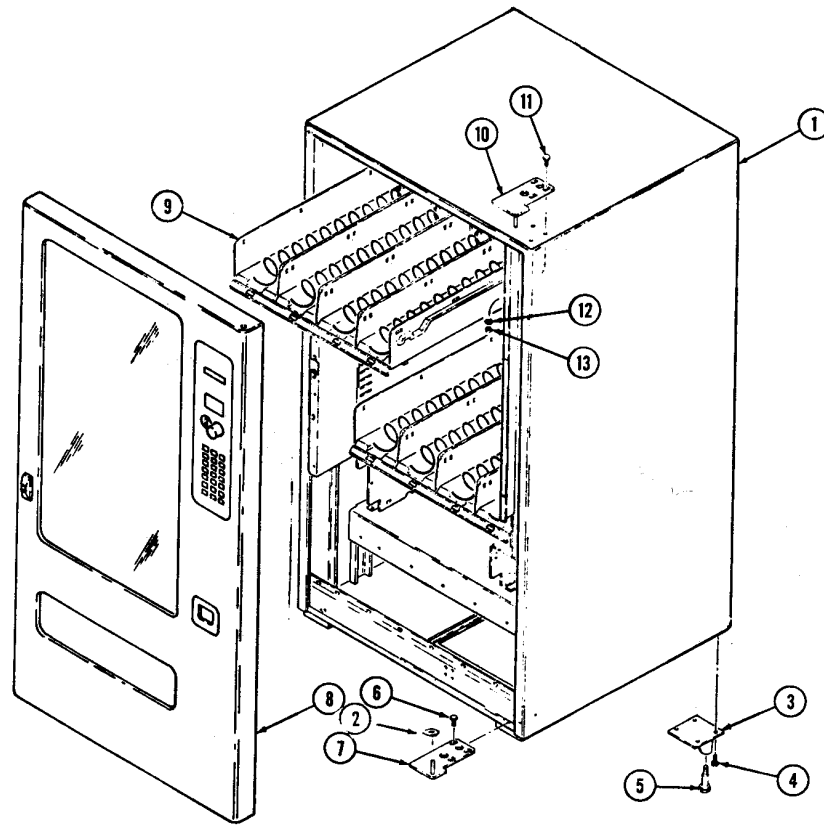
VendNet™ shall not be liable for any injury, loss or damage, whether direct, incidental or consequential arising out of the use of or the inability to use any part, parts or products sold by VendNet™. The remedies of the buyer set forth herein are exclusive, and the liability of VendNet™. With respect to any contract or sale or anything done in connection herewith, whether in connection therewith, whether in contract, in tort, under any warranty, or otherwise, shall not, except as expressly provided herein, exceed the price of the part, parts or products on which such liability is based. Any statements or representations about the parts or product, other than those contained herein, do not constitute warranties and shall not be relied on by the buyer and shall have no force of effect unless contained in a written agreement signed by officers of VendNet™.

Key

115 V	115 Volt Power Supply
230 V	230 Volt Power Supply
VAL	With Validator
NO VAL	Without Validator
3-W	3-Wide Units
4-W	4-Wide Units
5-W	5-Wide Units
A/R	As Required

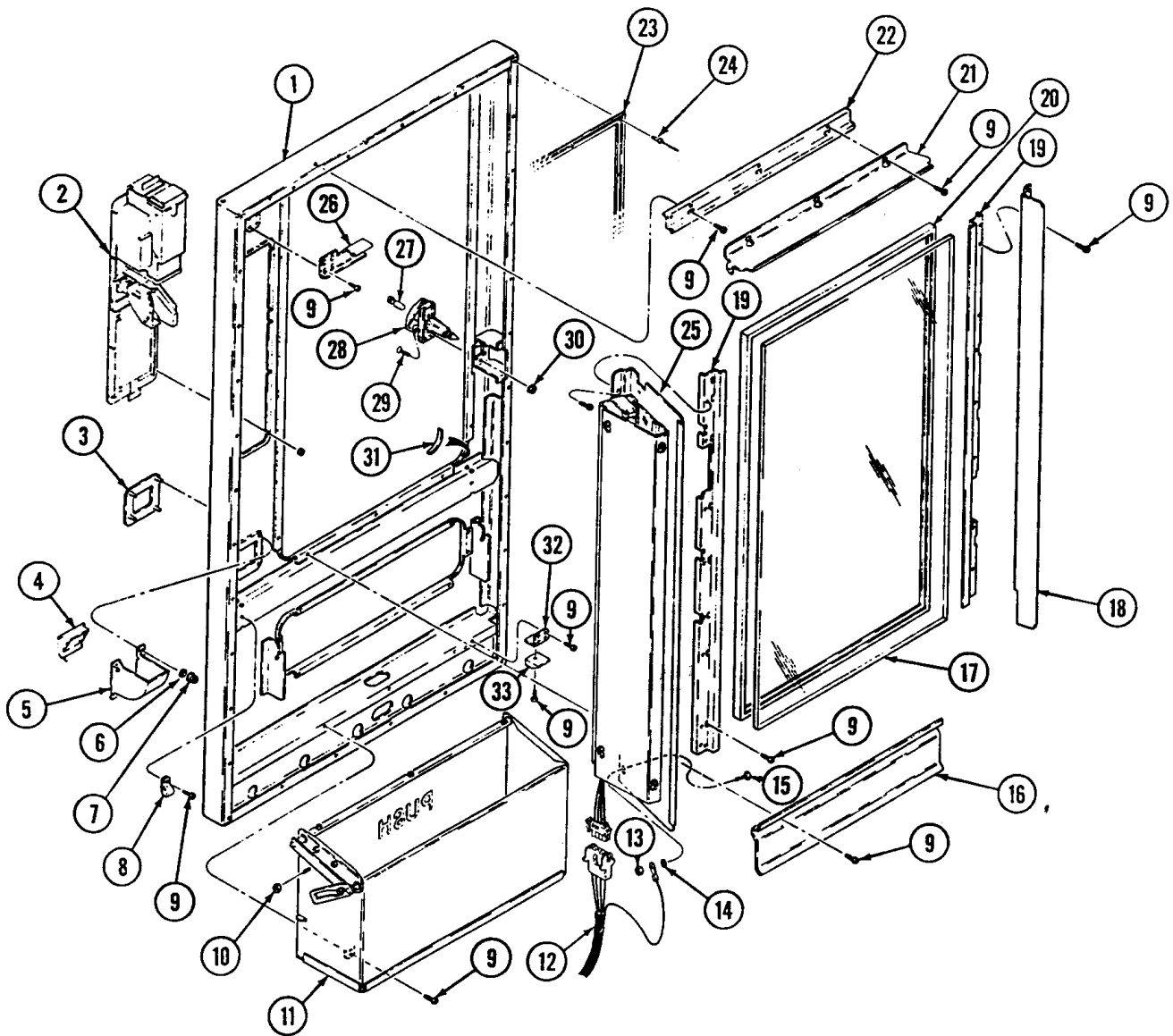
If you have any questions, check out our Website at <http://www.vendnetusa.com> or please call VendNet™ at 1-800-833-4411. Ask for the Parts Department. We will be happy to assist you.
Or E-Mail us: VendNet@Ecity.net Include model number and serial number

FINAL ASSEMBLY



ITEM	PART NO.	DESCRIPTION	3-W	4-W	5-W
1	1214428-xxx	Cabinet Assembly - See Page 36	1	1	1
2	4050767	3/8 Nylon Flat Washer	1	1	1
3	1131275-001	Leg Weld Assembly	4	4	4
4	8801388	5/16-18x1 Screw	16	16	16
5	4060310	Leg Leveler	4	4	4
6	8810014	12-14x1/2 Phillips TH Type AB	1	1	1
7	1212060-005	Hinge Stake - Lower	1	1	1
8	1212216-xxx	Door Assembly - See Page 28	1	1	1
9	1212285-xxx	Tray Assembly - See Pages 40 - 42	A/R	A/R	A/R
10	1212060-006	Hinge Stake - Upper	1	1	1
11	8810013	5/16x1 Carriage Bolt	3	3	3
12	7186148-000	Lock Washer - 5/16	3	3	3
13	4050066	Hex Nut - 5/16-18	1	1	1
Not Shown	4208506	Air Deflector (Optional)	1	1	1
	1212286-002	Service Package	1	1	1
	4203793-001	\$1 Labels	1	1	1
	4203793-002	\$2 Labels	1	1	1
	4203870	Service Mode Label	1	1	1
	4205137-003	Duct Closure	1	1	1
	4205466	Keypad Overlay	1	1	1
	4205749	Bumper	35	35	35
	4208793	Service and Parts Manual	1	1	1
	4206816	Safety Manual	1	1	1
	7250135-002	Hole Plug 1"	4	4	4

Door Assembly

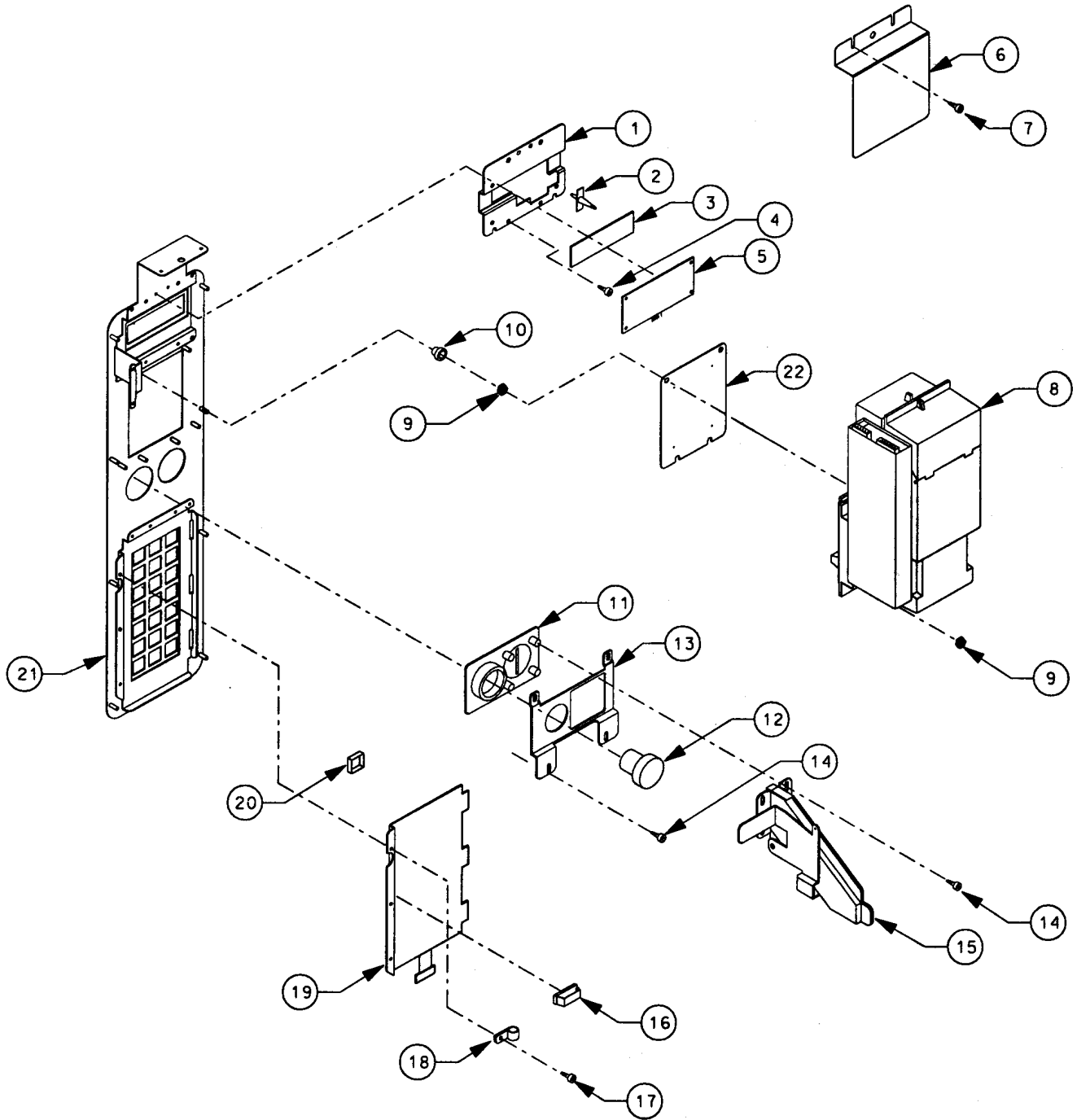


ITEM	PART NO.	DESCRIPTION	3-W	4-W	5-W
	1212216-006	Complete Door Assembly	1		
	1212216-007	Complete Door Assembly		1	
	1212216-008	Complete Door Assembly			1
1	1212026-xxx	Door Weld – Specify Color	1	1	1
2	1214461-xxx	Selector Panel Assembly – See Page 30	1	1	1
3	4203209-xxx	Coin Cup Bezel - Specify Color	1	1	1
4	4203208-xxx	Coin Cup Door - Specify Color	1	1	1
5	4203207-xxx	Coin Cup - Specify Color	1	1	1
6	4203477-xxx	¼" Nut	4	4	4
7	4050747	¼" Stamped Hex Nut	4	4	4
8	8324099-6	Plastic Wire Clamp - 3/8 x ½	1	1	1
9	4050202	8 – 18 x ½ HWH Tek	30	30	30
10	8801080	E-Ring, 5/16	4	4	4
11	1214362-xxx	Delivery Assembly – See Page 32	1	1	1
12	4208480	Power Harness	1	1	1
13	4050513	#8-32 Twin Whiz Nut	8	8	8
14	4050585	#8 External Tooth Lockwasher	1	1	1
15	4050239	#8-32 X 3/8 PhillipsScrew	1	1	1
16	4207926-xxx	Product Deflector – Column 1	1	1	1
17	4203946-xxx	Display Window – Column 2	1	1	1
18	4203954-002	Left Door Part	1	1	1
19	4203955-002	Window Retainer	2	2	2
20	4203947-xxx	Window Gasket – Column 3	1	1	1
21	4205152-xxx	Top Door Deflector – Column 4	1	1	1
22	4205153-xxx	Top Window Retainer – Column 5	1	1	1
23	4203466-xxx	Door Gasket – Column 7	1	1	1
24	7201418-006	Pop Rivet	30	32	34
25	1212034-xxx	Light Assembly - See Page 34	1	1	1
26	4205036-002	Switch Plate	1	1	1
27	7202038-998	Lock Cylinder W/Keys	1	1	1
28	4203486	1/4 Turn Handle - Black	1	1	1
29	4050338	#10-32 X 1/2 Phillips FH MS	2	2	2
30	4050546	#10-32 Twin Whiz Nut	2	2	2
31	4203263	1/4 X 1/2 Foam Tape – 0.25 ft	4	4	4
32	4203387	Door Lift Mount	1	1	1
33	4025610	Door Glide	1	1	1
Not Shown	4203994-001	Keypad/Display Harness	1	1	1

	COLUMN 1 Product Deflector	COLUMN 2 Display Window	COLUMN 3 Window Gasket
3-W	4207926-003	4203946-003	4203947-003
4-W	4207926-004	4203946-004	4203947-004
5-W	4207926-005	4203946-005	4203947-005
	COLUMN 4 Top Door Deflector	COLUMN 5 Top Window Retainer	COLUMN 6 Door Gasket
3-W	4205152-006	4205153-006	4203466-003
4-W	4205152-007	4205153-007	4203466-004
5-W	4205152-008	4205153-008	4203466-005

Door Assembly

Selector Panel Assembly

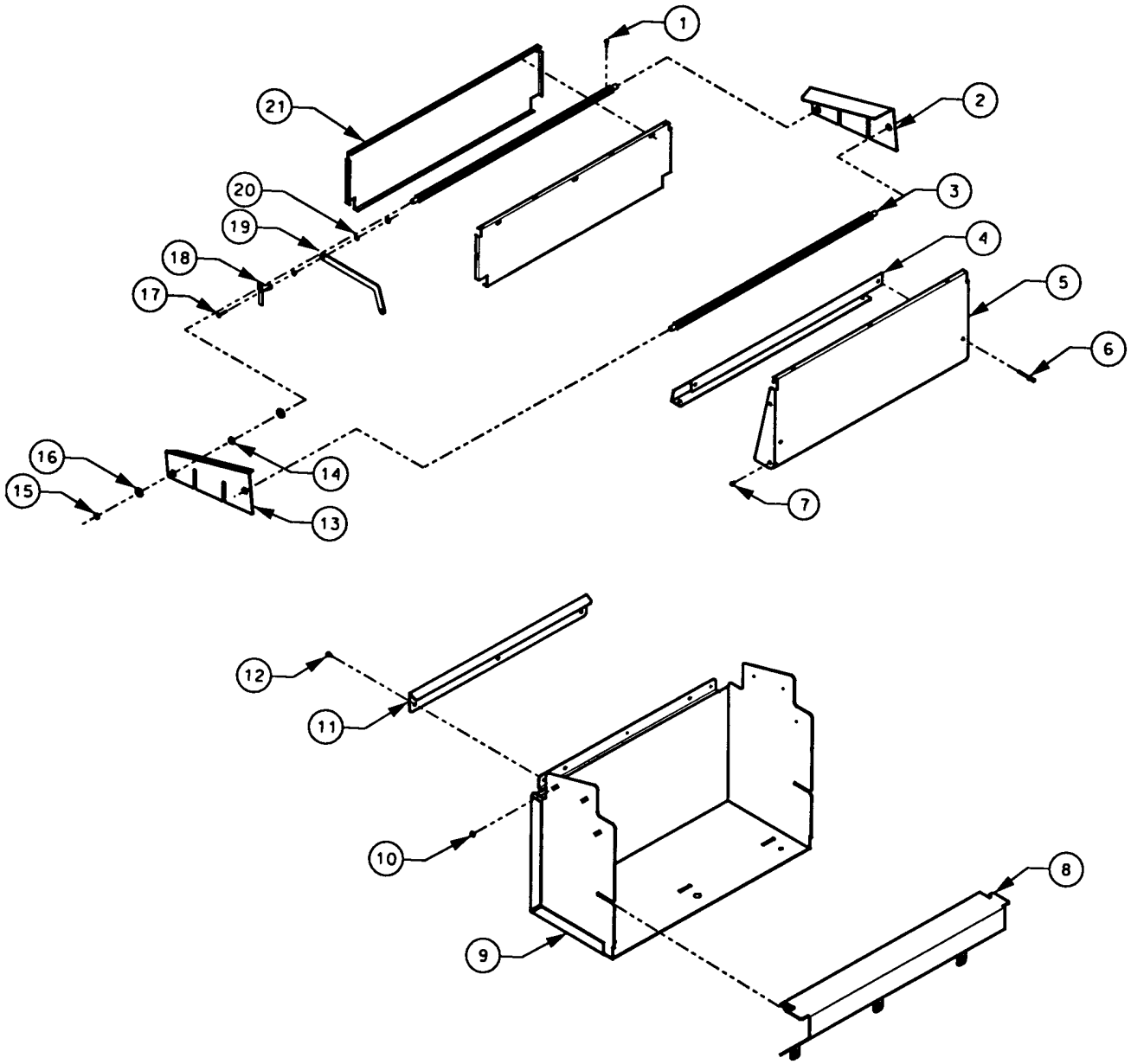


Selector Panel Assembly

ITEM	PART NO.	DESCRIPTION	115V	230V	NO VAL	VAL
	1214461	Selector Panel Assembly – without Validator		X	X	
	1214461-001	Selector Panel Assembly – for CBV Validator		X		X
1	4203644-002	Display Mounting Bracket		X	1	1
2	4025723	Controller Stand-Off	X	X	4	4
3	4200659	Readout Window	X	X	1	1
4	4050420	8-18 x ¼ Phillips HWH Type B	X	X	4	4
5	4203037	Display Board – SMIV		X	1	1
6	4207765	Display Cover – without Validator	X	X	1	
7	4050420	8-18 x ¼ Phillips HWH Type B - without Validator	X	X	2	
8		Validator – See your local distributor				1
9	8800956	8 – 32 Hex Nut w/ ETW - for CBV Validator		X		10
10	8330164	8 – 32 Thumb Nut – Brass - for CBV Validator		X		4
11	4203186-xxx	Coin Insert – Specify Color	X	X	1	1
12	4203187-001	Coin Return Button – Specify Color	X	X	1	1
13	4207279-001	Coin Insert Retainer	X	X	1	1
14	4050423	8-18 x 3/8 Phillips PH Type AB	X	X	6	6
15	1212227-001	Coin Insert Assembly		X	1	1
	1212029	Coin Insert Assembly	X		1	1
16	4203696	Ribbon Cable Clamp	X	X	1	1
17	4050423	8-18 x 3/8 Phillips PH Type AB	X	X	3	3
18	4060116	Plastic Wire Clamp 3/8	X	X	1	1
19	1212028-003	Keypad Assembly – Orange		X	1	
	1212028-002	Keypad Assembly – Black	X	X		1
20	4025741	Push Button	X	X	21	21
21	1214152-009	Selection Panel Weld – without Validator	X	X	1	
	1214152-007	Selection Panel Weld – for CBV Validator	X	X		1
	1214152-006	Selection Panel Weld – for BA32SA Validator	X	X		1
22	1214495	Validator Filler Weld – for CBV Validator	X	X	1	1
Not Shown	4207504	Selection Panel Decal	X	X	1	1

Door Assembly

Delivery Assembly



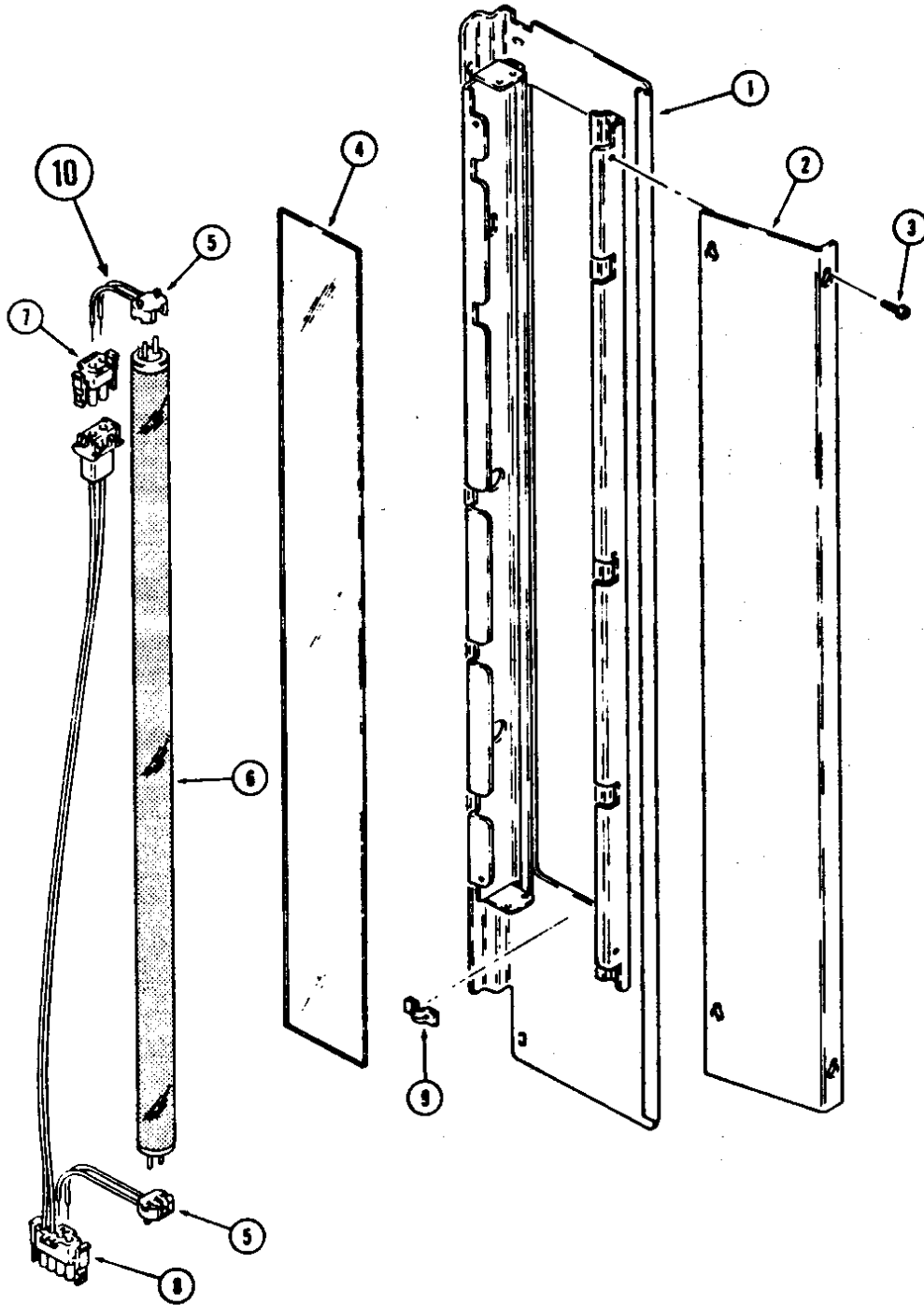
Delivery Assembly

ITEM	PART NO.	DESCRIPTION	QTY
	1214362-003	Delivery Assembly – 3-W	
	1214362-004	Delivery Assembly – 4-W	
	1214362-005	Delivery Assembly – 5-W	
1	4050239	8-32x3/8 Phillips PH Type T	10
2	4207772-002	Side Deflector - Right	1
3		Delivery Shaft – Column 1	2
4	4208365-xxx	Door Back – Column 2	1
5	4208364-xxx	Delivery Door – Column 3	1
6	4050663	Rivet	8
7	4205329	Arrow Clip	2
8	4208363-xxx	False Box – Column 4	1
9	1214361-xxx	Wrapper Weld – Column 5	1
10	8800956	8-32 Hex Nut w/ ETW	10
11	4208362-xxx	Wrapper Back – Column 6	1
12	4050423	8-18 x 3/8 Phillips PH Type AB	3
13	4207772-003	Side Deflector – Left	1
14	4025263-001	Type 5 Nyliner 5/16 ID Bushing	4
15	8801080	E Ring 5/16	4
16	8324353	5/16 Flat Washer	8
17	4203386-044	8-32 x 5/8 Captive Stud	4
18	4207697	Anti-Cheat Link	2
19	4207695	Delivery Link	2
20	4030100	Bushing – Spacer	8
21	4208366-xxx	Anti-Cheat – Column 7	2
Not Shown	4205705-xxx	Delivery Pad (Optional) - Column 8	1

	COLUMN 1 Delivery Shaft	COLUMN 2 Door Back	COLUMN 3 Delivery Door	COLUMN 4 False Box
3-W	4208376-003	4208365-003	4208364-003	4208363-003
4-W	4207698-004	4208365-004	4208364-004	4208363-004
5-W	4207698-005	4208365-005	4208364-005	4208363-005

	COLUMN 5 Wrapper Weld	COLUMN 6 Wrapper Back	COLUMN 7 Anti Cheat	COLUMN 8 Delivery Pad
3-W	1214361-003	4208362-003	4208366-003	4205705-003
4-W	1214361-004	4208362-004	4208366-004	4205705-004
5-W	1214361-005	4208362-005	4208366-005	4205705-005

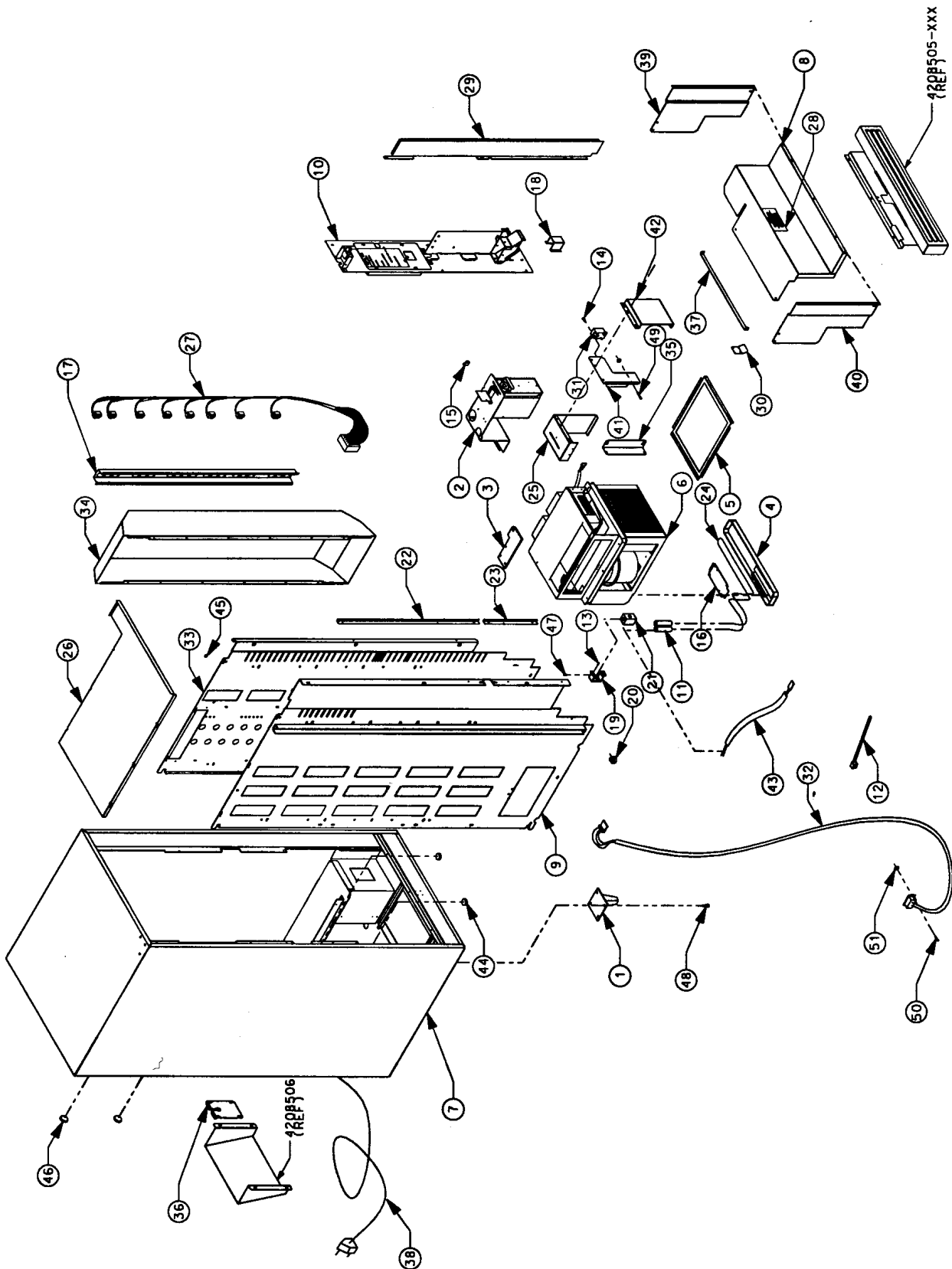
Door Assembly
Light Assembly



Light Assembly

ITEM	PART NO.	DESCRIPTION	QTY
	1212034-003	Light Assembly	1
1	1211462-008	Light Weld	1
2	4205094-002	Light Door – White	1
3	4050423	8-18 x 3/8 Phillips PH Type AB	4
4	4205101	Light Diffuser	1
5	4207171	Lamp Socket	2
6	4203131	Lamp – F30 T12	1
7	4203682	Terminal Housing	1
8	4203465	Lamp Harness	1
9	4050423	8-18 x 3/8 Phillips PH Type AB	1
10	4207172	Lamp Socket Harness	2

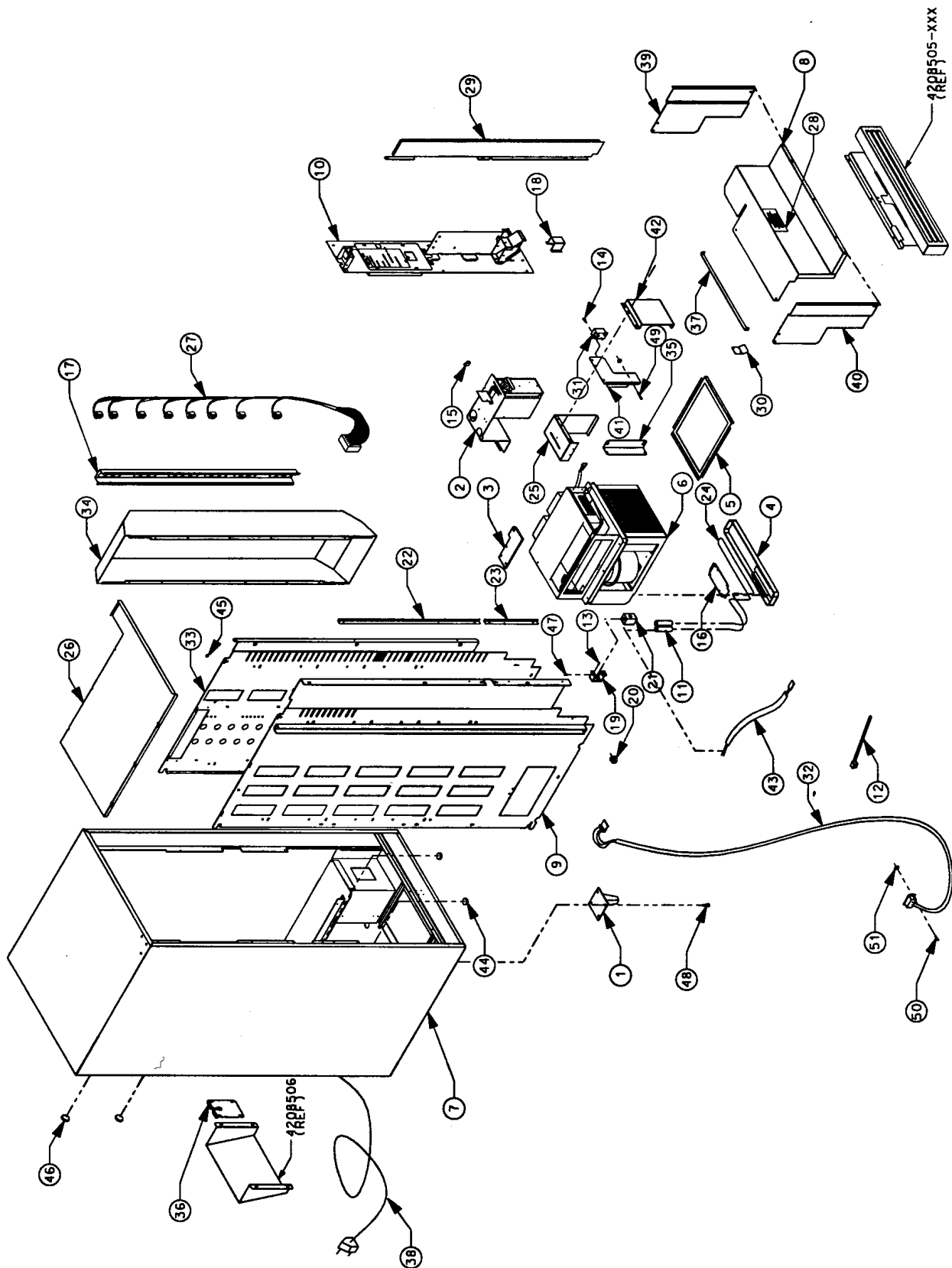
Cabinet Assembly



Cabinet Assembly

ITEM	PART NO.	DESCRIPTION	3-W	4-W	5-W
	1214428-003	Cabinet Assembly – 3-W	1		
	1214428-004	Cabinet Assembly – 4-W		1	
	1214428-005	Cabinet Assembly – 5-W			1
1	1131275-001	Leg Weld	4	4	4
2	1212052-003	Coin Box Holder Assembly – See Page 46	1	1	1
3	1212060-005	Hinge Stake – Lower	1	1	1
4	1212280	Drain Pan Weld	1	1	1
5	1212329-002	Screen Weld	1	1	1
6	1214414	Refrigeration Assembly – See Page 48	1	1	1
7	1214429-xxx	Cabinet Insulation - See Page 47	1	1	1
8	1214432-xxx	Insulation Cover Assembly	1	1	1
9	1214455	Left Panel Weld	1	1	1
10		Control Panel Assembly – See Page 44	1	1	1
11	4033527	Connector-Line Splice	2	2	1
12	4033712	Cable Tie – 7 3/8"	2	2	2
13	4050202	8-18 x ½ Phillips HWH Tek	71	71	71
14	4050240	8-32 x 3/8 Phillips PH MS	2	2	2
15	4060116	Plastic Wire Clamp	1	1	1
16	4202901-001	Heater Retainer	1	1	1
17	4203143	Tray Receptacle	1	1	1
18	4203199	Bottom Box Chute	1	1	1
19	4203255	Nut Mount Bracket	1	1	1
20	4203468	Snap On Clip	6	6	6
21	4203634	Split Nut Assembly	1	1	1
22	4203645	Anti-Cheat	1	1	1
23	4203645-001	Anti-Cheat	1	1	1
24	4203968	Heating Element - 230V	1	1	1
	4203968- 001	Heating Element - 115V	1	1	1
25	4203985-004	Ballast Support	1	1	1
26	4203998-xxx	Top Foam Cover – Column 1	1	1	1
27	4205090	8-Plug Main Harness	1	1	1
28	4205119	Anti-Storage Label	1	1	1
29	4205300-002	Upper Right Cover	1	1	1
30	4205542	Spring	1	1	1
31	4206643	Relay DPST 24VAC/DC30A	1	1	1
32	4206782-002	Temperature Sensor – RRF	1	1	1
33	4207924	Right Side Panel	1	1	1
34	4208281	Air Duct	1	1	1
35	4208442	Refrigeration Bracket	2	2	2
36	4208450	Access Door	1	1	1

Cabinet Assembly continued

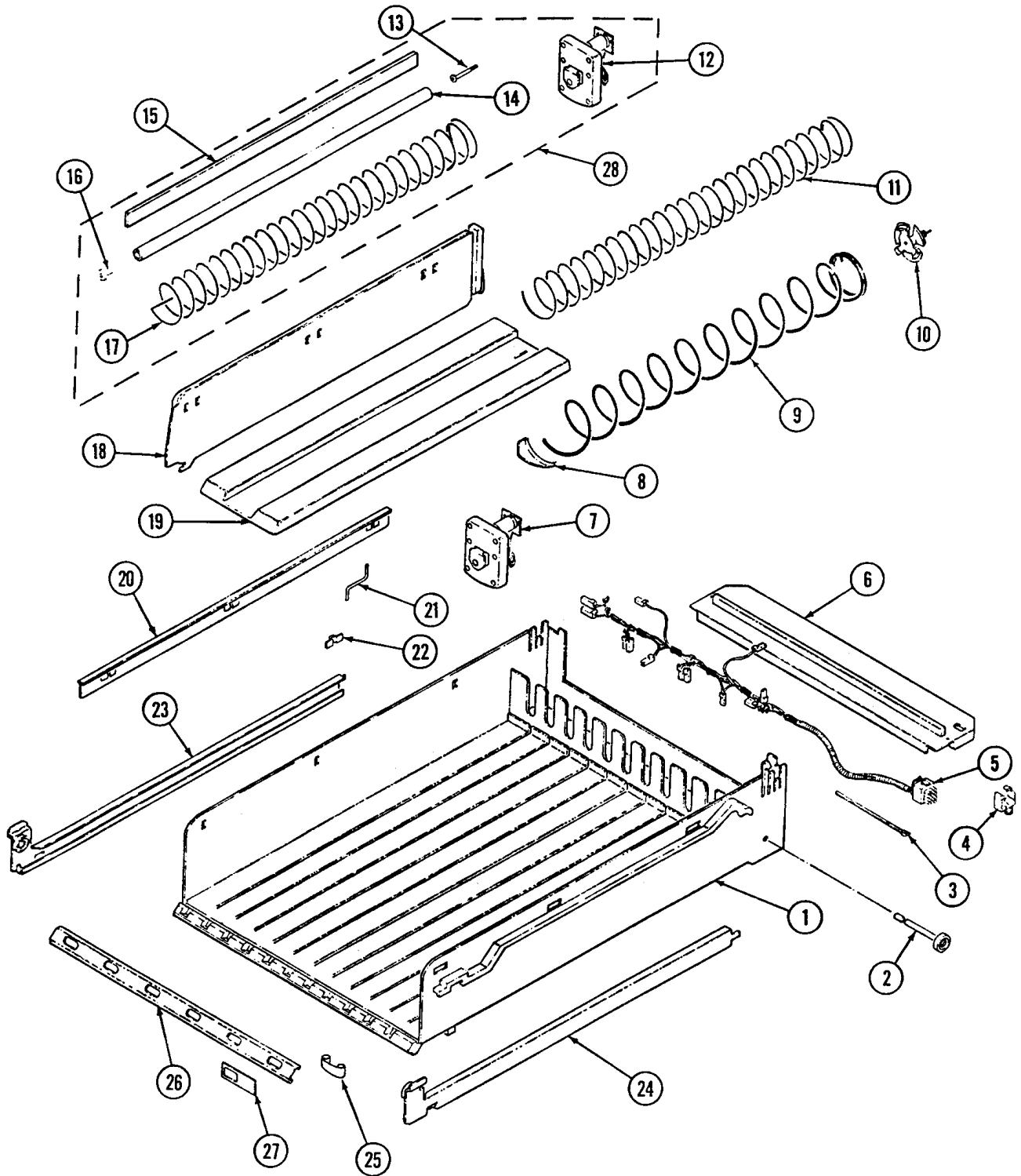


Cabinet Assembly continued

ITEM	PART NO.	DESCRIPTION	3-W	4-W	5-W
37	4208451-xxx	Anti-Storage Bracket – Column 2	1	1	1
38	4208462	Power Cord – Great Britain	1	1	1
39	4208472	Right Lower Cover	1	1	1
40	4208472-001	Left Lower Cover	1	1	1
41	4208478	Relay Bracket	1	1	1
42	4208479	Relay Cover – Black	1	1	1
43	4208668	Power Harness – Heater	1	1	1
44	7250135-000	Hole Plug – 1 3/8 BP	2	2	2
45	7250135-001	Hole Plug – 1/2 BPF	3	3	3
46	7250135-007	Hole Plug – 2 1/4 BP	2	2	2
47	8800638	10-16 x 3/8 Phillips PH Type B	2	2	2
48	8801388	5/16 – 18 x 3/4 HWH Type D	16	16	16
49	4050149	6-32x1 Phillips	1	1	1
50	4050113	6-32x1/2 Phillips	2	2	2
51	8800955	6-32 Nut	3	3	3
Not Shown	4205465-xxx	Kick Panel (Optional) – Column 3	1	1	1
	1212060-006	Hinge Stake Upper	1	1	1
	COLUMN 1	COLUMN 2	COLUMN 3		
	Top Foam Cover	Anti-Storage Bracket	Kick Panel		
3-W	4203998-009	4208451-003	4205465-003		
4-W	4203998-010	4208451-004	4205465-004		
5-W	4203998-011	4208451-005	4205465-005		

Cabinet Assembly

Tray Assembly – 3- and 4-Wide

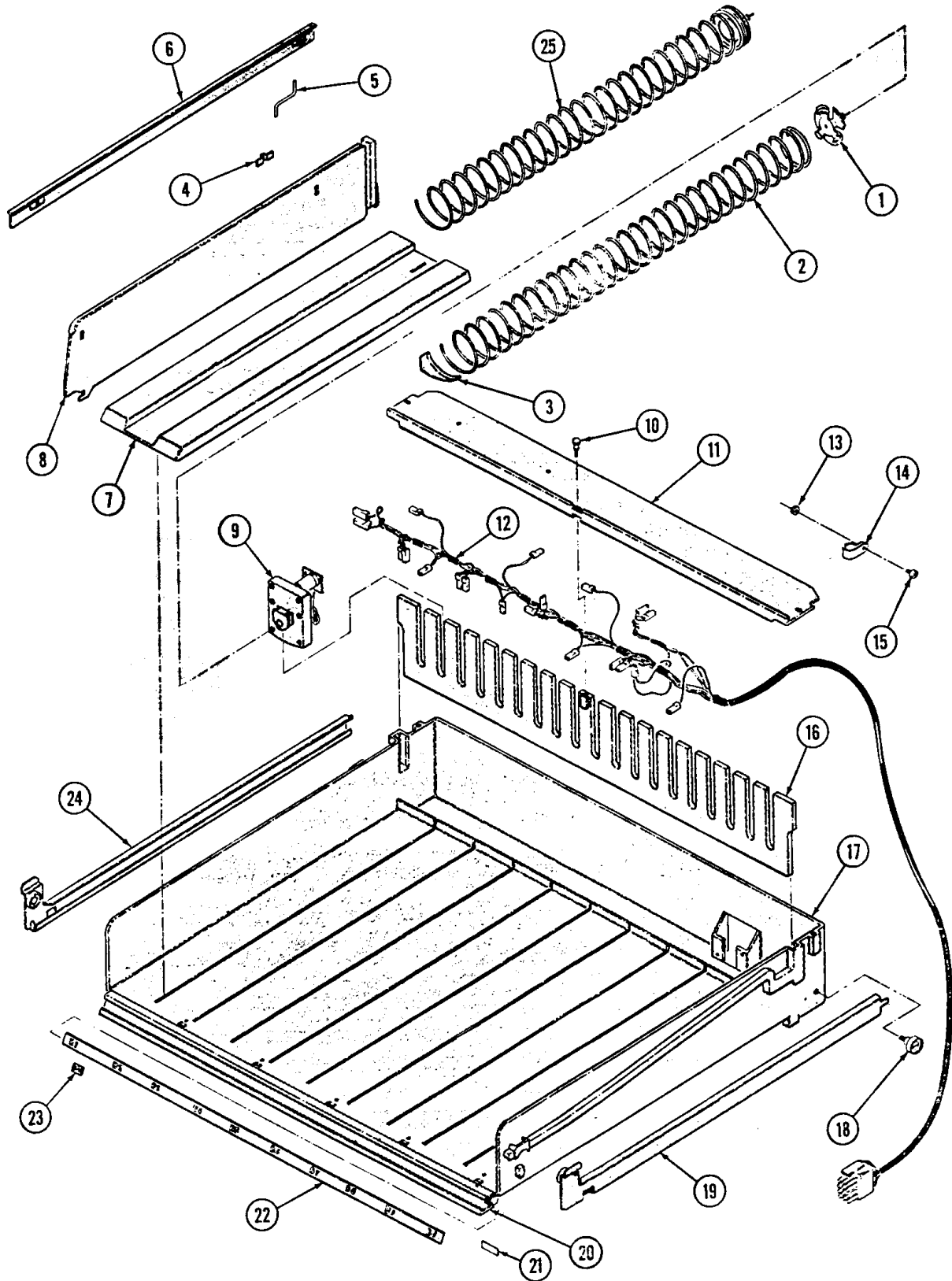


Tray Assembly – 3- and 4-Wide

ITEM	PART NO.	DESCRIPTION	3-W	4-W
	1212284-301	Tray Assembly – 3-W- 12 Select	4	
	1212284-303	Tray Assembly – 3-W- 18 Select	1	
	1212284-304	Tray Assembly – 3-W- 15/24 Gum & Mint	1	
	1212284-305	Tray Assembly – 3-W- 12/15 Select	1	
	1212284-401	Tray Assembly - 4-W - 12 Select		3
	1212284-403	Tray Assembly - 4-W - 18 Select		2
	1212284-404	Tray Assembly - 4-W - 15/24 Gum & Mint		1
1	4203275	Product Tray – 3-W	1	
	4203276	Product Tray – 4-W		1
2	4060670-004	Roller	2	2
3	4203509	Cable Tie	1	1
4	4203468	Harness Clamp	1	1
5	4203989-003	Tray Harness – 3-W	1	
	4203989-004	Tray Harness - 4-W		1
6	4203277-003	Motor Cover – 3-W	1	
	4203277-004	Motor Cover - 4-W		1
7	4203432-002	24 VDC Motor - 360 Degree	A/R	A/R
8	4025748	Product Pusher/Ejector	A/R	A/R
9	4200272-007	Auger - 10 Select - Snack	A/R	A/R
	4200272-008	Auger - 12 Select - Snack	A/R	A/R
	4200272-009	Auger - 15 Select - Snack	A/R	A/R
	4200272-010	Auger - 7 Select - Snack	A/R	A/R
	4200272-011	Auger - 8 Select - Snack	A/R	A/R
10	4202015	Auger Coupling	A/R	A/R
11	4200272-000	Auger - 15 Select - Candy	A/R	A/R
	4200272-001	Auger - 18 Select - Candy	A/R	A/R
	4200272-002	Auger - 24 Select - Candy	A/R	A/R
	4200272-003	Auger - 30 Select - Candy	A/R	A/R
	4200272-004	Auger - 12 Select - Candy	A/R	A/R
	4200272-005	Auger - 9 Select - Candy	A/R	A/R
	4200272-006	Auger - 6 Select - Candy	A/R	A/R
-	1200106-012	Gum and Mint Auger Assembly		
12	4203432-003	24 VDC Motor - 180 Degree - G & M	1	1
13	4200164-000	#8-32x1-1/4 Shoulder Screw	1	1
14	4202625-001	G & M Helix Tube	1	1
15	4202624-001	Gum & Mint Spacer Strip	1	1
16	4203101	End Cap	1	1
17	4202313	Auger - 36 Select - Gum & Mint	1	1
18	4025797	Product Divider	A/R	A/R
19	4200340	Helix Retainer	A/R	A/R
20	8370660-5	Product Spacer	A/R	A/R
21	8370998	Spacer Support	A/R	A/R
22	4200281	Spring Clip	A/R	A/R
23	1200321-002	Tray Rail - Left Side	1	1
24	1200321-003	Tray Rail - Right Side	1	1
25	4203341-001	Price Scroll	A/R	A/R
26	4203229-003	Label Holder – 3-W	1	
	4203229-004	Label Holder - 4-W		1
27	4203707	Selection Identification Label	1	1
28	1200106-012	Gum and Mint Auger Assembly		
Not Shown	1200137-261	Gum & Mint Auger Kit – 36 ct. (Optional)	A/R	A/R
	1200137-262	Gum & Mint Auger Kit – 48 ct (Optional)	A/R	A/R

Cabinet Assembly

Tray Assembly – 5-Wide

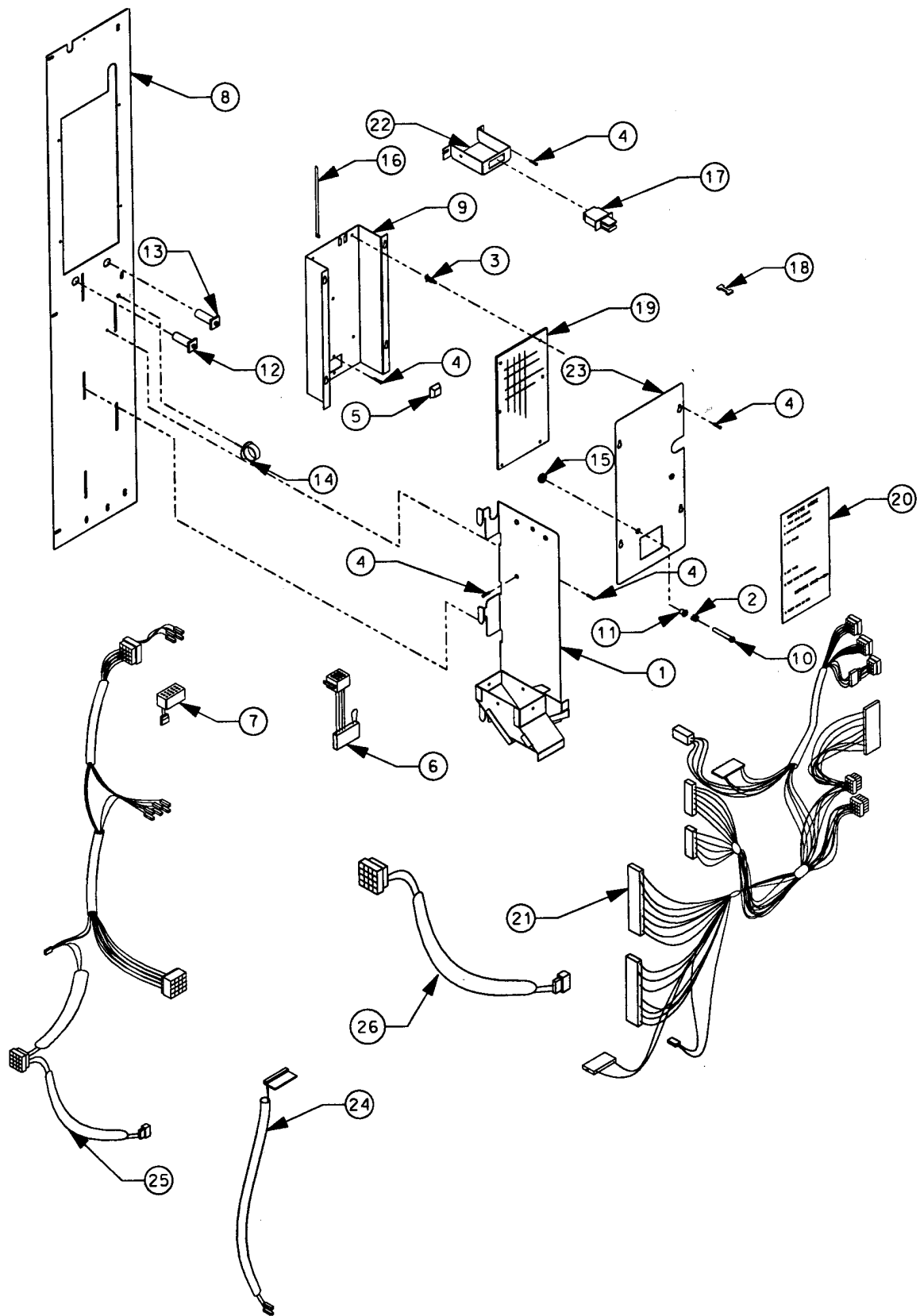


Tray Assembly – 5-Wide

ITEM	PART NO.	DESCRIPTION	5-W
	1214877-001	Tray Assembly - 5-W - 12 Select	2
	1214877-005	Tray Assembly - 5-W - 18 Select	1
	1214877-007	Tray Assembly - 5-W – 12/15 Select	1
	1214877-008	Tray Assembly - 5-W - 18/15 Select	1
	1214877-009	Tray Assembly - 5-W – 24/30/40 Select G & M	1
1	4202015	Auger Coupling	A/R
2	4200272-000	Auger - 15 Sel - Candy	A/R
	4200272-001	Auger - 18 Sel - Candy	A/R
	4200272-002	Auger - 24 Sel - Candy	A/R
	4200272-003	Auger - 30 Sel - Candy	A/R
	4200272-004	Auger - 12 Sel - Candy	A/R
	4200272-005	Auger - 9 Sel - Candy	A/R
	4200272-006	Auger - 6 Sel - Candy	A/R
3	4025748	Product Ejector	A/R
4	4200281	Spring Clip	A/R
5	8370998	Spacer Support	A/R
6	8370660-5	Spacer	A/R
7	4200340	Auger Retainer	A/R
8	4025797	Divider	A/R
9	4203432-002	24 VDC Motor - 360 Degree	A/R
10	8045133	#8-32 X 3/8 Thumb Screw	3
11	4025802-001	Motor Cover	1
12	4203989-005	Tray Harness - 5-W	1
13	4050513	#8-32 Twin Whiz Lock Nut	1
14	4060116	Wire Clamp	1
15	4050262	8-32x3/4 Phillips PH MS	1
16	4025799	Motor Mounting Plate	1
17	4025798	Product Shelf	1
18	4060670-001	Roller	2
	8331913	.254 x 5/8 Washer – AP for item 18	2
19	1200321-002	Side Rail - Right Side	1
20	4022408-000	Label Holder – 5W	1
21	4202013	1/32 x 3/8 Tape - 28 Inches	A/R
22	4201209-xxx	Selection Strip -Specify “A” Thru “H”	A/R
23	4200051	Price Label - 1.50 - 3.15	A/R
	4200052	Price Label - .10 – 1.50	A/R
24	1200321-003	Side Rail - Left Side	1
25	4200272-007	Auger - 10 Select - Snack	A/R
	4200272-008	Auger - 12 Select - Snack	A/R
	4200272-009	Auger - 15 Select - Snack	A/R
	4200272-010	Auger - 7 Select - Snack	A/R
	4200272-011	Auger - 8 Select - Snack	A/R
Not Shown	4203432-003	24 VDC Motor - 180 Degree - G/M	A/R
	4200164-000	#8-32 X 1 1/4 Shoulder Screw	A/R
	4202625-001	G & M Helix Tube	A/R
	4202624-001	Gum & Mint Spacer Strip	A/R
	4203101	End Cap	A/R
	4202313-007	Auger - 40 Sel - Gum & Mint	A/R
	1200137-261	Gum & Mint Helix Kit – 36 ct. (Optional)	A/R
	1200137-262	Gum & Mint Helix Kit – 48 ct. (Optional)	A/R
	4060622	½ Filament Tape	A/R
	4203793-001	Dollar Label - \$1	A/R
	4203793-002	Dollar Label - \$2	A/R

Cabinet Assembly

Control Panel Assembly

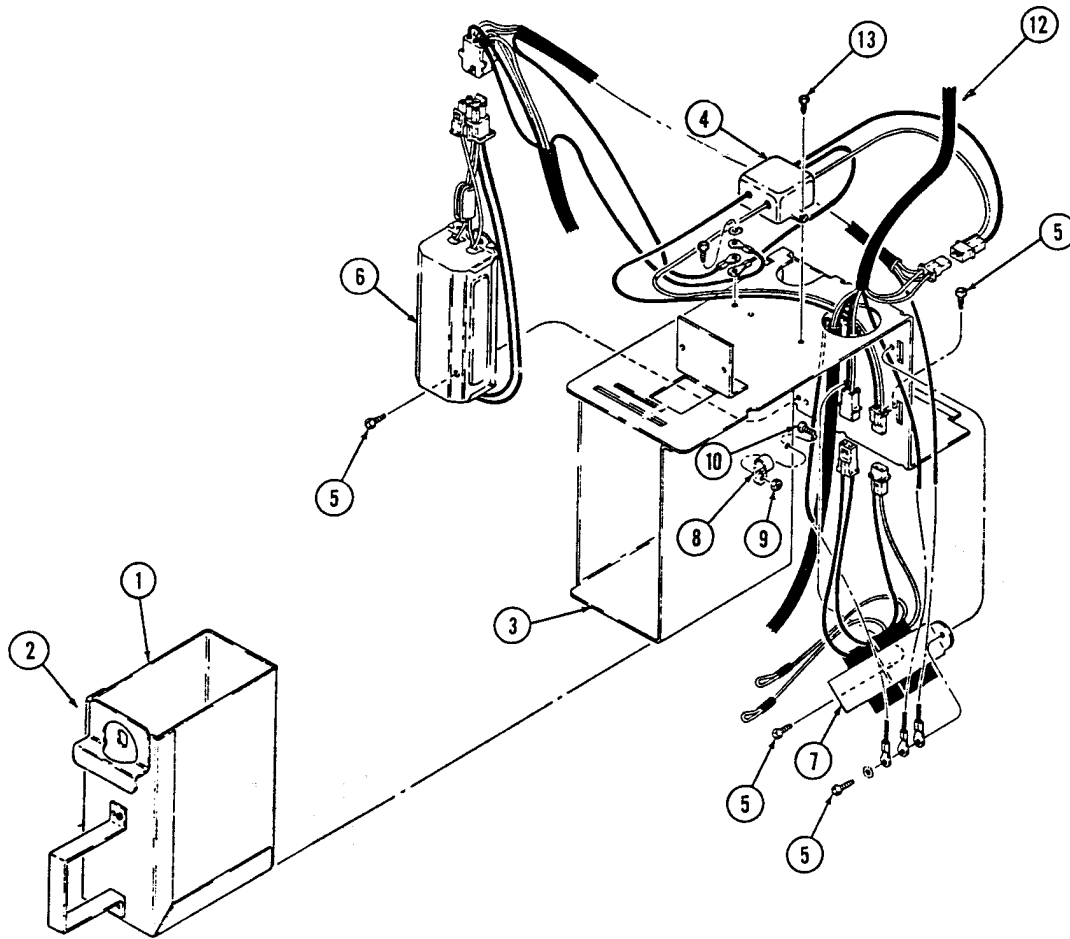


Control Panel Assembly

ITEM	PART NO.	DESCRIPTION	115V	230V	QTY
	1212045-005	Control Panel Assembly	X		1
	1214460	Control Panel Assembly		X	1
1	1212104	Coinage Weld	X		1
	1212785-003	Coinage Weld – 230V		X	1
2	4021017	Spring	X	X	1
3	4025423	Controller Stand-Off	X	X	4
4	4050423	8-18 X 3/8 Phillips PH Type AB	X	X	16
5	4200238	Self Adhesive Feet	X	X	1
6	4200705	MS 1600 Data Harness (Executive Controller)	X	X	1
7	4200709	MS 1600 Power Harness (Executive Controller)	X	X	1
8	4203136-010	Control Panel	X	X	1
9	4203137-002	Controller Mount	X	X	1
10	4203144	Mode Button	X	X	1
11	4203181	1/4 I.D. Snap Bushing	X	X	1
12	4203467-003	3 Amp Circuit Breaker	X	X	1
13	4203467-005	5 Amp Circuit Breaker	X	X	1
14	4203468	Snap-In Clip	X	X	1
15	4203477	1/4 Nut	X	X	1
16	4203509	Cable Tie	X	X	1
17	4203639	Door Interlock Switch	X	X	1
18	4203640	Interlock Cheat	X	X	1
19	4208738	SM LC Control Board Versatile		X	1
20	4203870	<i>Service Mode</i> Label	X	X	1
21	4209675	Control Board Harness		X	1
22	4205108-001	Door Switch Mount	X	X	1
23	4205314-002	Controller Cover	X	X	1
24	4206765	Relay Harness	X	X	1
25	4208480	Power Harness	X	X	1
26	4206648	Coin Mech Harness - MDB	X	X	1
	4203992	Coin Mech Harness	X	X	1
Not	4209291	Temp Sensor		X	1
Shown	4209708	Temp Sensor Plate		X	1
	4209676	Refrigeration Control Harness		X	1
	4209705	Door Switch Harness		X	1

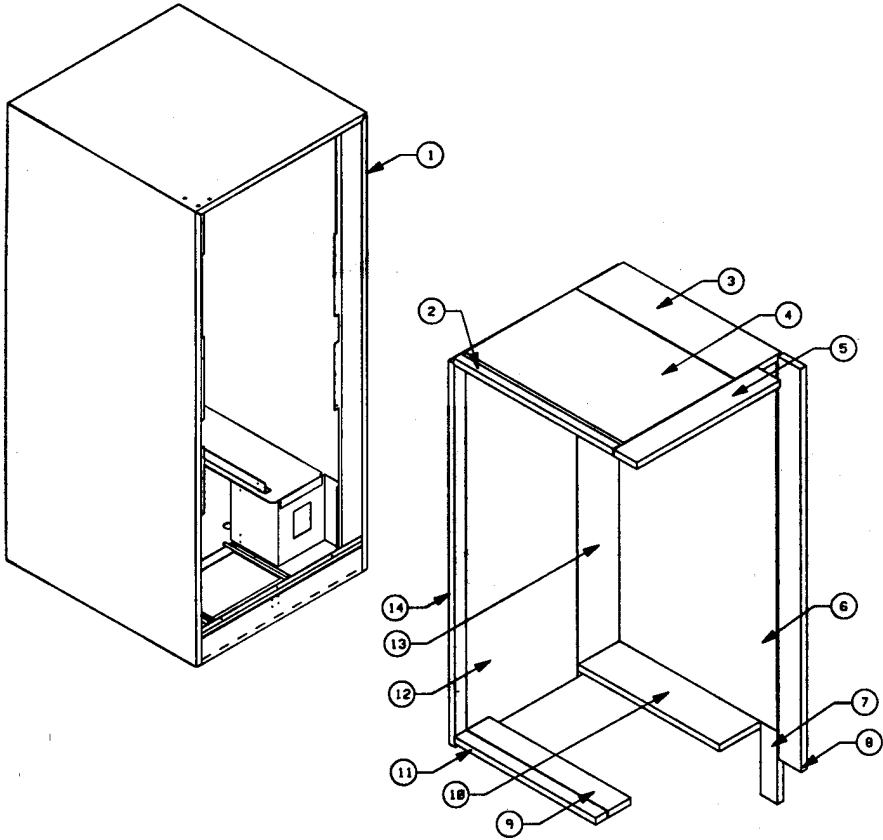
Cabinet Assembly

Coin Box Holder Assembly



ITEM	PART NO.	DESCRIPTION	115V	230V	QTY
	1212052-003	Coin Box Holder Assembly		X	
1	1212127	Coin Box Weld Assembly	X	X	1
2	4060318	Cash Box Lock & Keys (Optional)	X	X	1
3	1211449-002	Box Mount Weld	X	X	1
4	4203730-003	RFI Filter	X	X	1
5	8800612	8-18 X 1/2 Phillips PH Type AB	X	X	2
6	4203625-001	Ballast Assembly - 230 V		X	1
	4203625	Ballast Assembly - 115 V	X		1
7	4203134	Transformer Assembly - 230 V		X	1
	1210952	Transformer Assembly - 115 V	X		1
8	8324099-6	Clamp - 3/8 x 1/2	X	X	1
9	4050513	8-32 Twin Whiz Lock Nut	X	X	1
10	4050239	8-32x3/8 Phillips	X	X	1
11	4050585	#8 External Tooth Lockwasher	X	X	4
12	4208480	Power Harness	X	X	1
13	4050423	8-18x3/8 Phillips PH Type AB	X	X	2

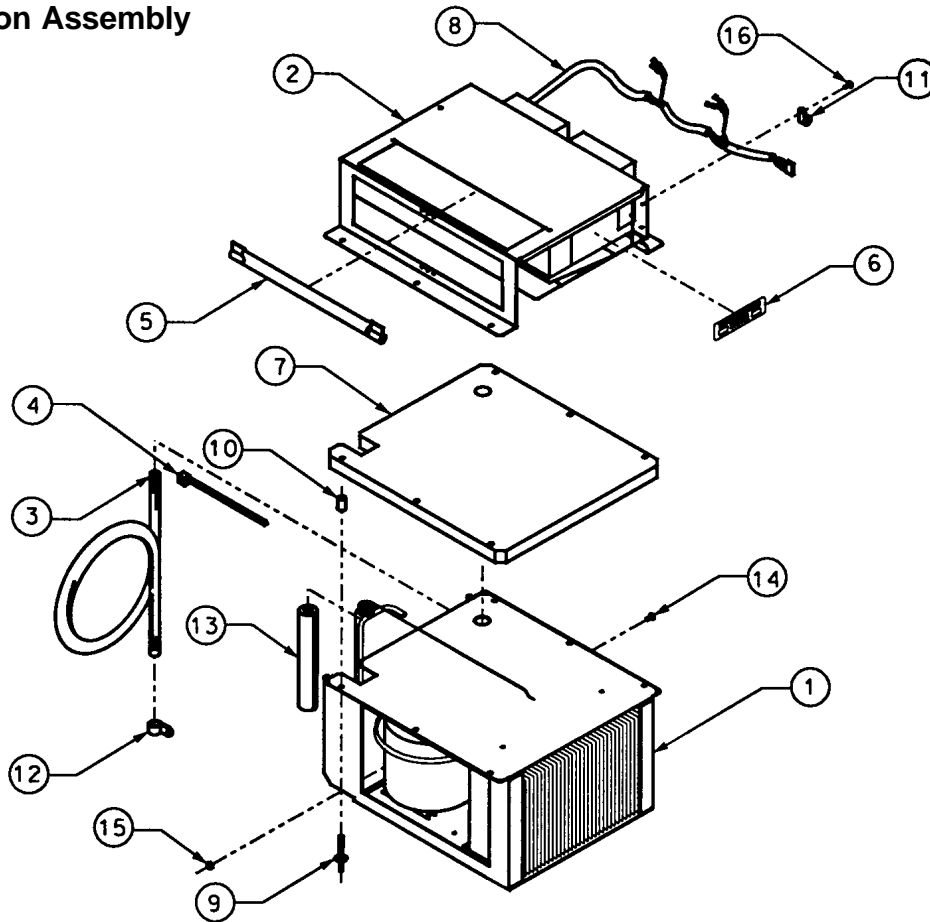
Cabinet Insulation



ITEM	PART NO.	DESCRIPTION	QTY
	1214429-003	Insulation Installation – 3-W	X
	1214429-004	Insulation Installation - 4-W	X
	1214429-005	Insulation Installation - 5-W	X
1	1214410-xxx	Cabinet Weld – Column 1	1
2	4208496-001	Top Insulation – Left	1
3	4208496-002	Top Insulation – Right	1
4	4208496-xxx	Top Insulation – Middle – Column 2	1
5	4208496-xxx	Top Insulation – Front – Column 3	1
6	4208494-001	Side Insulation – Middle	2
7	4208494-002	Side Insulation – Bottom	2
8	4208494-003	Side Insulation – Front	2
9	4208497-xxx	Bottom Insulation – Middle - Column 5	1
10	4208497-002	Bottom Insulation – Right	1
11	4208497-001	Bottom Insulation – Left	1
12	4208495-xxx	Back Insulation – Column 4	1
13	4208495-002	Back Insulation – Right	1
14	4208495-001	Back Insulation – Left	1

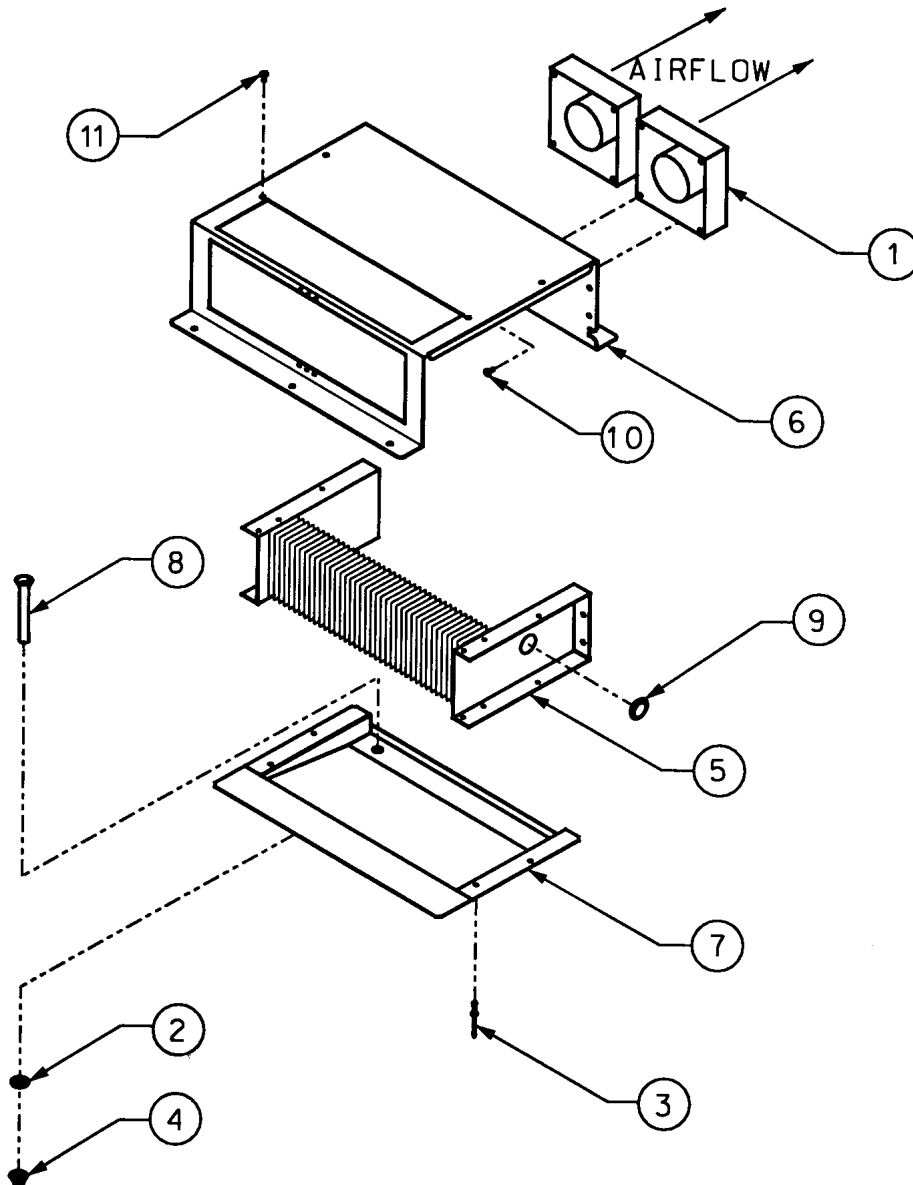
	COLUMN 1	COLUMN 2	COLUMN 3	COLUMN 4	COLUMN 5
	Cabinet Weld	Top – Middle	Insulation Top– Front	Back	Bottom Middle
3-W	1214410-003	4208496-003	4208496-006	4208495-003	4208497-003
4-W	1214410-004	4208496-004	4208496-007	4208495-004	4208497-004
5-W	1214410-005	4208496-005	4208496-008	4208495-005	4208497-005

Cabinet Assembly Refrigeration Assembly



ITEM	PART NO.	DESCRIPTION	115V	230V	QTY
		R-134a Refrigerant Assembly - 1/3 H.P			
	1214414	230 V		X	X
	1214414-001	115 V	X		X
1	1214415-xxx	Condenser Assembly – See Page 50	X	X	1
2	1214416-xxx	Evaporator Assembly – See Page 49	X	X	1
3	4025410-500	Drain Tubing – by Foot	X	X	1.83'
4	4033712	Cable Tie – 7 3/8"	X	X	2
5	4060480-002	Accumulator	X	X	1
6	4205507-305	Refrig Serial Label – 230 V		X	1
	4205507-306	Refrig Serial Label – 115 V	X		1
7	4208269	Insulation	X	X	1
8	4208465	Refrig Harness	X	X	1
9	4208701	Anchor Rivet	X	X	6
10	4208724	Standoff	X	X	6
11	8324099-6	3/8 x 1/2" P-Clamp	X	X	1
12	8324099-7	1/2 x 5/8" P-Clamp	X	X	1
13	8365271-500	Insulation – by Foot	X	X	0.75
14	8800852	8-32 x 3/8 Phillips PH Type T	X	X	3
15	8800956	8-32 Nut w/ ETW	X	X	1
16	8801204	10-16 x 3/8 Phillips TH w/ ETW Type B	X	X	4

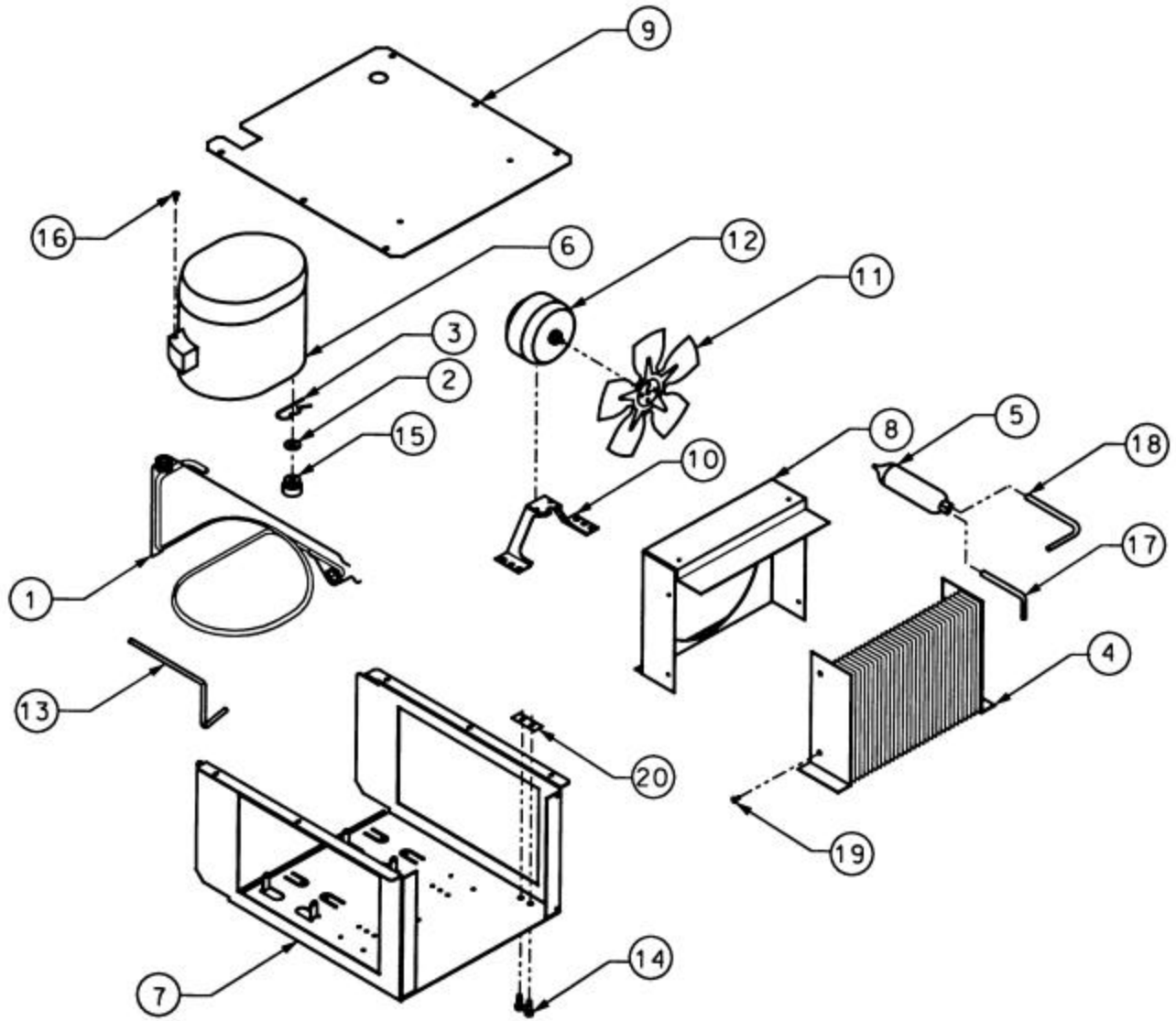
Evaporator Assembly



ITEM	PART NO.	DESCRIPTION	115V	230V	QTY
	1214416	Evaporator Assembly – 230 V		X	X
	1214416-001	Evaporator Assembly – 115 V	X		X
1	4034344-001	Evaporator Fan – 230 V		X	2
	4034344-000	Evaporator Fan – 115 V	X		2
2	4050608	½" Flat Washer - Zinc	X	X	1
3	4050663	Rivet	X	X	4
4	4202284	½" Push Nut	X	X	1
5	4206047-001	Evaporator	X	X	1
6	4208266	Evaporator Mount	X	X	1
7	4208268	Drain Pan	X	X	1
8	7100042-000	Drain Tube	X	X	1
9	7250135-003	Hole Plug – ¾" BPF	X	X	1
10	8800829	10 – 24 x 3/8 Phillip TH w/ ETW Type 23	X	X	8
11	8801204	10 – 16 x 3/8 Phillip TH w/ETW Type B	X	X	4

Cabinet Assembly

Condensor Assembly



Condenser Assembly

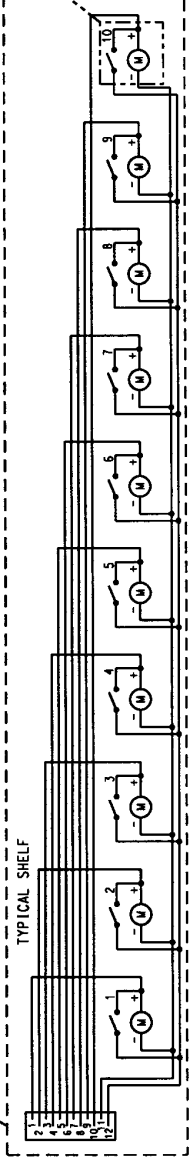
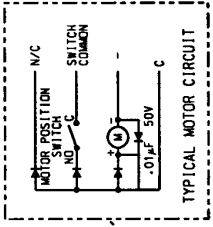
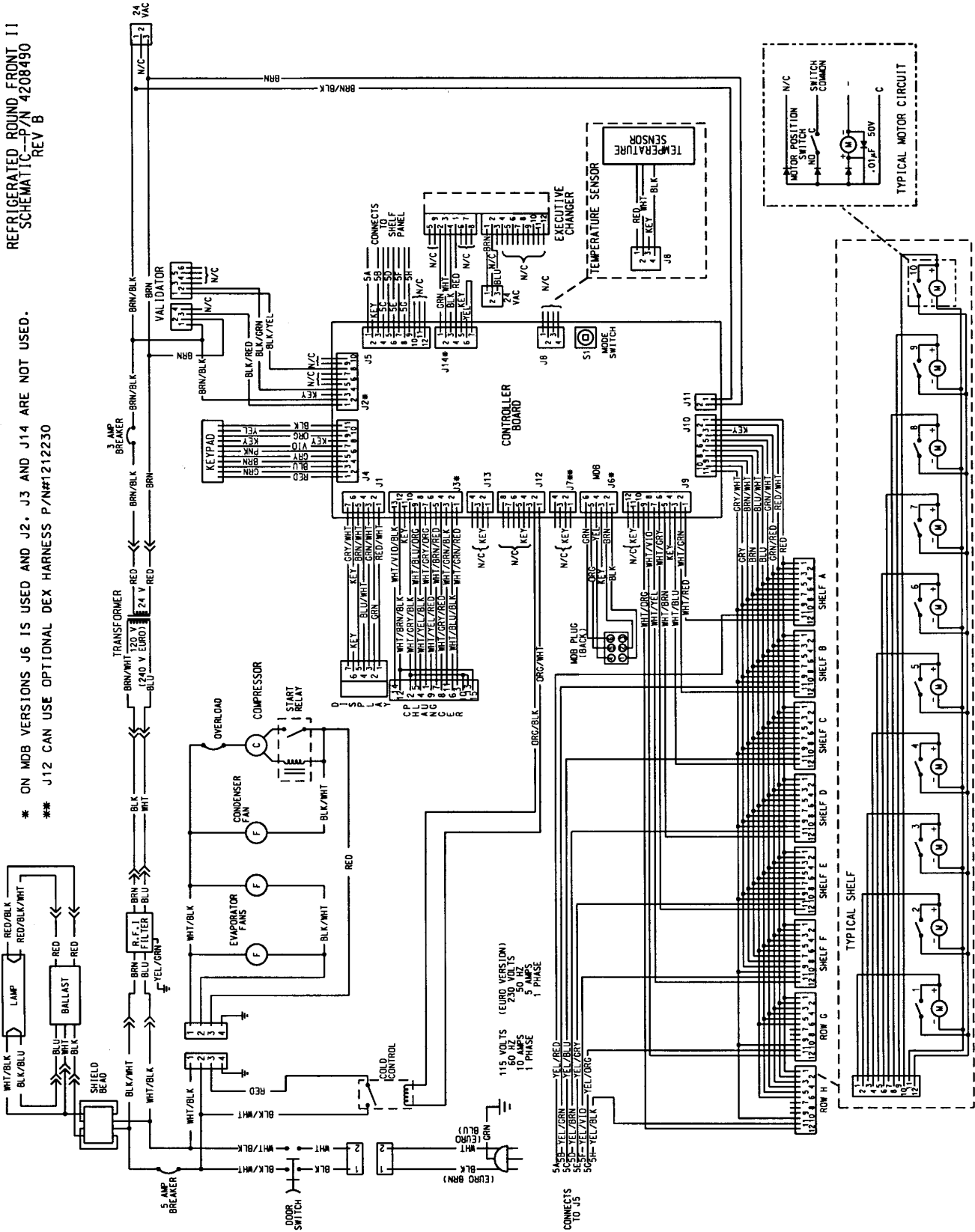
ITEM	PART NO.	DESCRIPTION	115V	230V	QTY
	1214415	Condenser Assembly – 230 V		X	1
	1214415-001	Condenser Assembly – 115 V	X		1
1	1214434	Suction Line Assembly	X	X	1
2	4050608	½ Flat Washer – Zinc	X	X	4
3	4050773-000	#17 Hitch Pin Clip	X	X	4
4	4203686	Condenser Coil	X	X	1
5	4205468	Drier – Bonded Core	X	X	1
6	4205471	Compressor 1/3 HP – 230 V		X	1
-	8045052-29	Overload Protector (Not Shown)	X	X	1
-	8333894-2	Starting Relay (Not Shown)	X	X	1
-	8344305	Overload Spring (Not Shown)	X	X	1
-	8344306	Bale Strap (Not Shown)	X	X	1
-	8344308	Cover Terminal (Not Shown)	X	X	1
	4203790	Compressor 1/3 HP – 115 V	X		1
-	8045052-27	Overload Protector (Not Shown)	X	X	1
-	8333894-15	Starting Relay (Not Shown)	X	X	1
-	8344305	Overload Spring (Not Shown)	X	X	1
-	8344306	Bale Strap (Not Shown)	X	X	1
-	8344308	Cover Terminal (Not Shown)	X	X	1
7	4208267	Condenser Mount	X	X	1
8	4208275	Fan Shroud	X	X	1
9	4208428	Condenser Top	X	X	1
10	4208445	Condensor Fan Mounting Bracket	X	X	1
11	4208446	Fan Blade 8.25 x 30D	X	X	1
12	4208492	Condenser Motor – 230 V		X	1
	4208492-001	Condenser Motor – 115 V	X		1
13	4208531	Discharge Line	X	X	1
14	7332393-000	¼ -20 x 3/8 Sltd HH MS	X	X	4
15	8323090-1	Grommet	X	X	4
16	8800852	8-32 x 3/8 Phillips PH Type T	X	X	1
17	8801180-002	¼ x 3" Tubing	X	X	1
18	8801180-003	¼ x 6" Tubing	X	X	2
19	8801204	10-16 x 3/8 Phillips TH w/ ETW	X	X	13
20	8916923	¼ - 20 Twin Spring Nut	X	X	2

WIRING SCHEMATIC

REFRIGERATED ROUND FRONT II
SCHEMATIC--P/N 4208490
REV B

* ON MDB VERSIONS J6 IS USED AND J2, J3 AND J14 ARE NOT USED.

** J12 CAN USE OPTIONAL DEX HARNESS P/N#1212230



QUICK REFERENCE SERVICE COMMANDS

Press the Service Mode Button on the Control Board and follow the steps outlined below:

NOTE: To clear faults, press the Service Mode Button and then press **<A><C><K>**

Press	Function	To Program Enter The Following
<1>	Dispense Coins	<1> + <A> = 5¢ <1> + = 10¢ <1> + <C> = 25¢ <1> + <D> = \$1.00 (IF APPLICABLE) <1> + <F> - FILL COIN TUBES (NON CREDIT)
<2>	Motor Count	<2> = NUMBER OF ACTIVE MOTORS
<3>	Alternating POS Or Permanent Use Exact Change	<1> = ALTERNATE ON + <J> OR <0> = ALTERNATE OFF + <J>
<4>	Non-Resettable MIS	<4> + SELECTION <4> + (SEL) ROW LETTER TWICE <4> + "AL" MACHINE TOTAL
<5>	Set Price	<5> + (SEL) + (PRICE) + <J>
	Copy Price	<5> + (SEL) + (PRICE) + <C> + (SEL) + (SEL) + <L> TWICE
<6>	Set Time (24 Hour Mode)	<6> + <J> + (TIME OF DAY) + <J>
<7>	Service Mode - High Level	<7> + ACCESS CODE - ?????
<8>	Test Vend Single Selection	<8> + (SEL) - <L> TWICE TO EXIT
<9>	Test Vend Entire Row	<9> + (ROW) - ANY KEY TO EXIT
<0>	Test Vend Entire Machine	<0> + <J> - ANY KEY TO EXIT
<7>	High Level Service Mode	<7> + ACCESS CODE = ?????
0>	All Options Off	<0> = OFF
<1>	No Change Mode	<1> - NO CHANGE "ON" <0> - NO CHANGE "OFF"
<2>	Forced Vend	<1> = FORCED VEND "ON" <0> = FORCED VEND "OFF" <L> = EXITS WITHOUT SAVING
<3>	Discount Group	REFER TO SERVICE MANUAL
<4>	Language	<E> + <J> = ENGLISH <F> + <J> = FRENCH <G> + <J> = GERMAN <H> + <J> = SPANISH <D> + <J> = ITALIAN <A> = AUXILIARY
<5>	Lottery Odds	"ODDS 0000" + <J>
<7>	Resettable MIS	<7> + SELECTION <7> + (SEL) ROW LETTER TWICE <7> + "AL" MACHINE TOTAL
<8>	MIS Totals	<8> + <A> = TOTAL VENDS <8> + = TOTAL CASH <8> + <C> = TOTAL VALUE CARD <8> + <D> = TOTAL LOTTERY/PROMO <8> + <E> = TOTAL BILLS <8> + <F> = TOTAL DISCOUNT
<9>	Stop Clock	<9> + <J>
<A>	Multi-Vend	<A> + <1> = MULTI-VEND "ON" <A> + <0> = MULTI-VEND "OFF"
	Edit Point Of Sale Message	REFER TO SERVICE MANUAL
<D>	Promo Vend	REFER TO SERVICE MANUAL
<E>	Reset Mis	<E> + <J>
<G> + <0>	Refrigeration Selection	<G> + <0> BEGIN (SEL) + <0> END (SEL) + <0> PRESS <1> TO TURN HEALTH CONTROL "ON" PRESS <0> TO TURN HEALTH CONTROL "OFF"
<G> + <1>	Defrost Command	<G> + <1> + <D> = START
<G> + <2>	Temperature Display	<G> + <2> + <F> = FAHRENHEIT <G> + <2> + <C> = CELSIUS
<G> + <3>	"Cut In" Temperature (Turn On)	<1> TO ENTER PLUS (+) - <0> TO ENTER MINUS (-) ENTER TEMPERATURE NUMBER
<G> + <4>	"Cut-Out" Temperature (Turn Off)	<1> TO ENTER PLUS (+) - <0> TO ENTER MINUS (-) ENTER TEMPERATURE NUMBER
<G> + <5>	Defrost Duration	"DF TIME XX" 10 MINUTES RECOMMENDED
<G> + <6>	Defrost Start Times (4 Available)	"DEFRI 00:00 (TIME) + <L> TO SAVE - CONTINUE TO SET NEXT THREE BY THE SAME METHOD FACTORY RECOMMENDATION - ALL TIMES SET TO "00.00"

