

SERVICE MANUAL

COFFEE VENDOR

MODEL - 2003A

**FAWN SALES INC.
P.O. BOX 1333
8040 UNIVERSITY BLVD.
DES MOINES, IOWA 50305**

SPECIFICATIONS

MODEL #2003A COFFEE

CABINET:

Height: 68"
Width: 32"
Depth: 21½"
Shipping Wt: 375 Lbs.

CAPACITY:

Selection: Coffee Black
Coffee Creme
Coffee Sugar
Coffee Creme & Sugar
Hot Chocolate
Hot Soup
Extra Creme
Extra Sugar
Cups: 350

COINAGE:

Variable Price Changer - Prices from 10¢ to 25¢. Accepts nickels, dimes and quarters in any combination. Gives change from a quarter.

WATER SUPPLY:

3/8" flared copper or 5/16" compression with plastic tubing.

ELECTRICAL REQUIREMENTS:

Voltage: 115 vac., 60 Hz., 1-phase
Current: 10.5 amps max.
Service: 15 amp line

NOTE: It is recommended that the electrical outlet used for this unit be on its own individual circuit. This circuit should be connected directly to the fuse or breaker box.

Make sure the electrical outlet and plugs are properly grounded to insure customer safety.

TABLE OF CONTENTS

INSTALLATION.....	1
WATER SUPPLY.....	1
PURIFIER INSTALLATION INSTRUCTIONS.....	1
PERFORMANCE CHECK.....	2
LOADING OF PRODUCTS.....	2
CUP RING ADJUSTMENT.....	2
WATER ADJUSTMENT.....	3
INGREDIENT ADJUSTMENT.....	3
QUARTER RESTRICTION ADJUSTMENT.....	3
CARE AND CLEANING.....	4
THE VEND CYCLE.....	4
TROUBLE SHOOTING.....	5
PARTS LIST, DOOR.....	6 - 7
PARTS LIST, CUP DISPENSER.....	8 - 9
WIRING DIAGRAM.....	10 - 11
PARTS LIST, CHASSIS.....	12 - 13
PARTS LIST, CANISTER.....	14 - 15
PARTS LIST, CABINET.....	16
PARTS ORDER BLANK.....	17 - 19
WARRANTY.....	Back Cover

INSTALLATION:

1. Record the Model Number _____ and Serial Number _____ located, on a metal plate, on the outside of the cabinet.
2. Remove any tape, braces and other packing materials from the outside of the machine.
3. The keys will be found taped to the delivery pan or located in the coin return pocket.
4. Open the door and remove any shipping brackets, packing and tape.
5. Located in the cabinet is a box that contains the legs.
6. Tilt the machine so one side is raised off the floor approximately 8 inches.
7. Line up the bolts, in the legs, with the holes located in the bottom of the machine.
8. Screw in each leg, until tight. Repeat the procedure with the other side of the machine.
9. Move the machine to the desired location. Refrigerated machines should be located with the back at least 4 inches away from any obstruction that would interfere with the air flow to and from the machine.
10. The machine must be level to operate correctly. Leveling is done by adjusting the leveling screws located at the bottom of each leg. Start with the leveling screws, screwed in as far as possible. Adjust so the machine is level and does not rock or teeter on any of the legs.

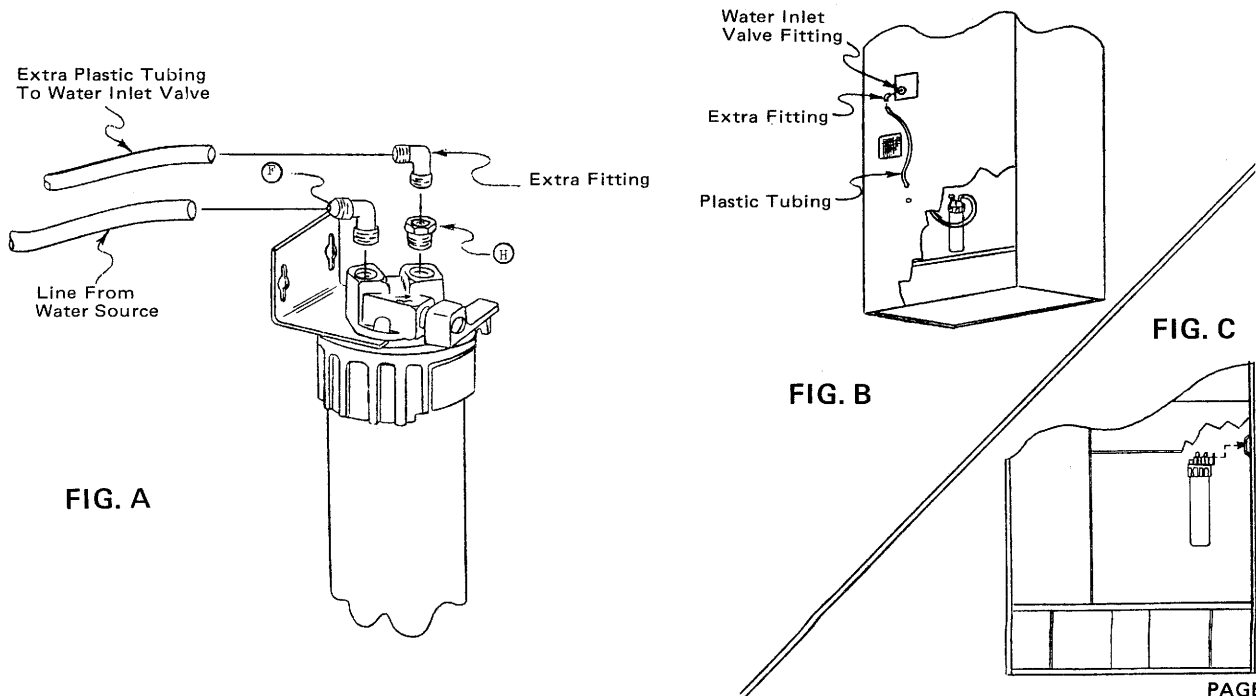
WATER SUPPLY:

Located in the coin box is the water inlet fitting, 3/8" flare or 5/16" compression. Install the fitting, on the back of the cabinet, to the water inlet valve. A 3/8" O.D. copper or 5/16" plastic tubing should be used. Be sure the tubing is flushed before connecting to the machine. The water will not enter until the power is connected, opening the water inlet valves. See that the waste container is in place and the float is free of any obstructions. The use of an external water shut-off valve is recommended.

If a water purifier is used, see Purifier Installation Instructions.

PURIFIER INSTALLATION INSTRUCTIONS:

1. Install proper fittings to purifier. (Fig. A)
2. In addition to purifier you will receive two extra brass fittings and a plastic tube. This tubing is to run from purifier to the inlet valve. (Fig. B)
3. Set purifier in place and tighten screws. (Fig. C)



PERFORMANCE CHECK:

This machine was thoroughly inspected before leaving the factory. This check may locate any loose parts or any resulting malfunctions which may have been caused during shipment. If any failures or malfunctions occur during the check, refer to the Trouble Shooting section of this manual.

1. Place the machine in a good location and level it.
 - (a) Machine must be level for the coin mechanism to function properly.
2. With water supply connected and turned on, plug into properly grounded electrical source.
 - (a) Sign should light up.
 - (b) Coin mechanism should not accept any coins.
 - (c) Water tank should be filling.
3. Check temperature control.
 - (a) Set at 185 F.
 - (b) After a few minutes the water tank should feel warm.
4. Check all water pipe connections.
 - (a) Tighten any connection that leaks.
5. Load and fill the machine.
 - (a) See loading instructions
 - (b) The coin mechanism should accept proper coins.
6. Test vending operation.
 - (a) Insert proper coins according to the coin instruction plate.
 - (b) Make selection. Check to see selection made, matches product received.

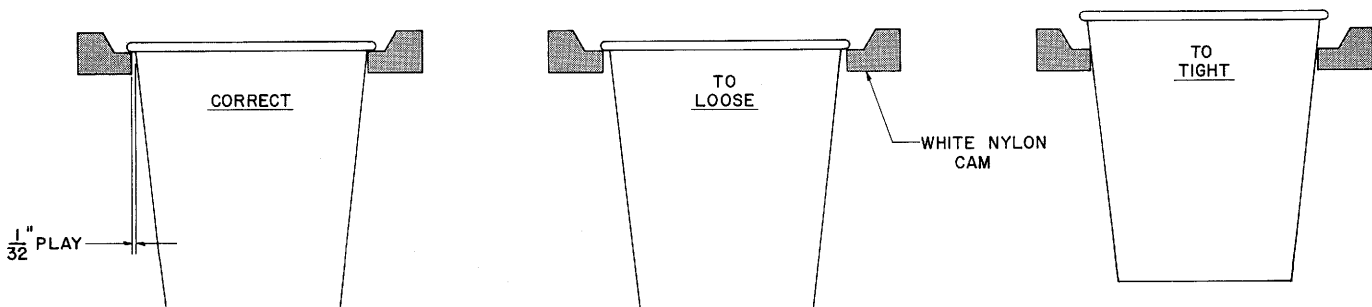
LOADING OF PRODUCTS:

1. Open cup dispenser door, slide cup transfer channel to the left side, swing the cup transfer gate to the right side.
2. Load the center section first, then load the right and left side, on the right side press in the spring to load.
3. Fill canisters, within a few inches from the top, with the correct product.
4. Vend all products a couple of times to insure canister augers are full of product.

CUP RING ADJUSTMENT:

1. Loosen the wing nut on the under side of the cup ring. Set the opening of the cams to the approximate size of the cup by rotating the outer case of the cup ring.
2. Drop a single cup into the ring. Adjust the ring until the cup lip rests on the surface of all six cams.
3. The cup must be free to rotate and not to exceed 1/32" play from side to side.
4. Retighten the wing nut.

CUP RING ADJUSTMENT



WATER ADJUSTMENT:

There are separate water adjustments for Soup, Chocolate and Coffee. To increase the water, turn the adjusting screw on top of the valve, counter-clockwise. To decrease turn clockwise.

INGREDIENT ADJUSTMENT:

The ingredients are adjusted by the cams on the timer assembly. Coffee (red), Chocolate (blue) and Soup (green). The front cam of each pair is fixed, the color coded cam of each pair is adjustable.

BEFORE LOOSENING THE WING NUT, NOTE THE POSITION OF EACH CAM. AFTER EACH ADJUSTMENT RETIGHTEN THE WING NUT.

COFFEE: (Freeze Dry or Powder)

1. To decrease the amount of coffee, **INCREASE** the number of marks on the **RED** label.
2. To increase the amount of coffee, **DECREASE** the number of marks on the **RED** label.

CHOCOLATE:

1. To decrease the amount of Chocolate, **DECREASE** the number of marks on the **BLUE** label.
2. To increase the amount of Chocolate, **INCREASE** the number of marks on the **BLUE** label.

SOUP:

1. To decrease the amount of Soup, **DECREASE** the number of marks on the **GREEN** label.
2. To increase the amount of Soup, **INCREASE** the number of marks on the **GREEN** label.

FOR INCREASED AMOUNT OF POWDERED COFFEE:

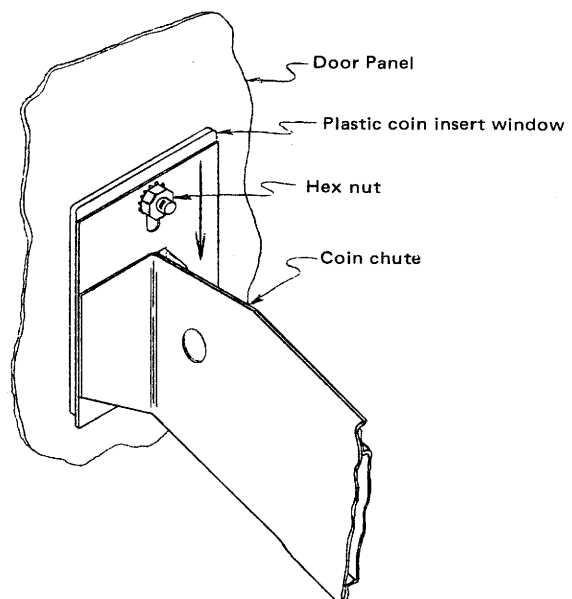
1. If more coffee is desired than can be obtained in the standard position, remove the stationary cam of the **RED** pair, turn the cam 1/2 turn on the square shaft. Also, move the white/red wire from the **NC** position on the cam switch to the **NO** position.
2. To decrease the amount of coffee, **DECREASE** the number of marks on the **RED** label.
3. To increase the amount of coffee, **INCREASE** the number of marks on the **RED** label.

QUARTER RESTRICTION ADJUSTMENT:

FOR USE WITH CHANNEL TYPE COIN MECHANISM ONLY.

IF DESIRED, QUARTERS MAY BE RESTRICTED FROM BEING INSERTED INTO THE COIN ENTRY SLOT.

1. Loosen the hex nuts, located at the top and bottom of the coin chute.
2. Slide coin chute down as far as the slots will permit. This will shorten the distance of the coin entry slot, preventing the acceptance of quarters.
3. Retighten the hex nuts.



CARE AND CLEANING

WARNING: DISCONNECT POWER BEFORE CLEANING.

CABINET:

Wash with water and soap, both inside and out. Wipe dry with clean cloth.

CANISTERS:

Disassemble and wash with hot water and sanitizing agent. BE SURE they are thoroughly dried before reassembling and reloading ingredients.

CUP DISPENSER:

Wipe with clean cloth.

FAN ASSEMBLY:

Remove fan bracket from bottom of the air duct, and clean with warm water. Oil fan motor on both ends of the shaft with any light machine oil.

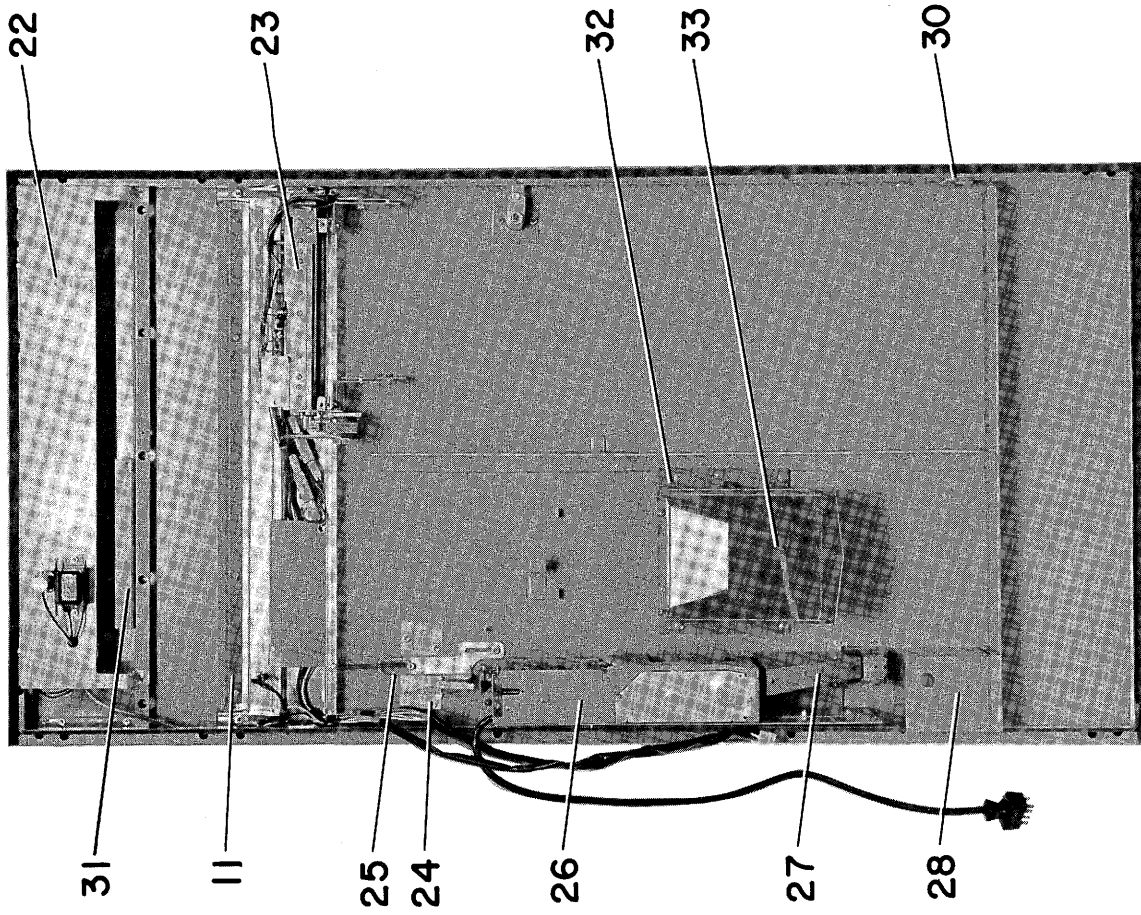
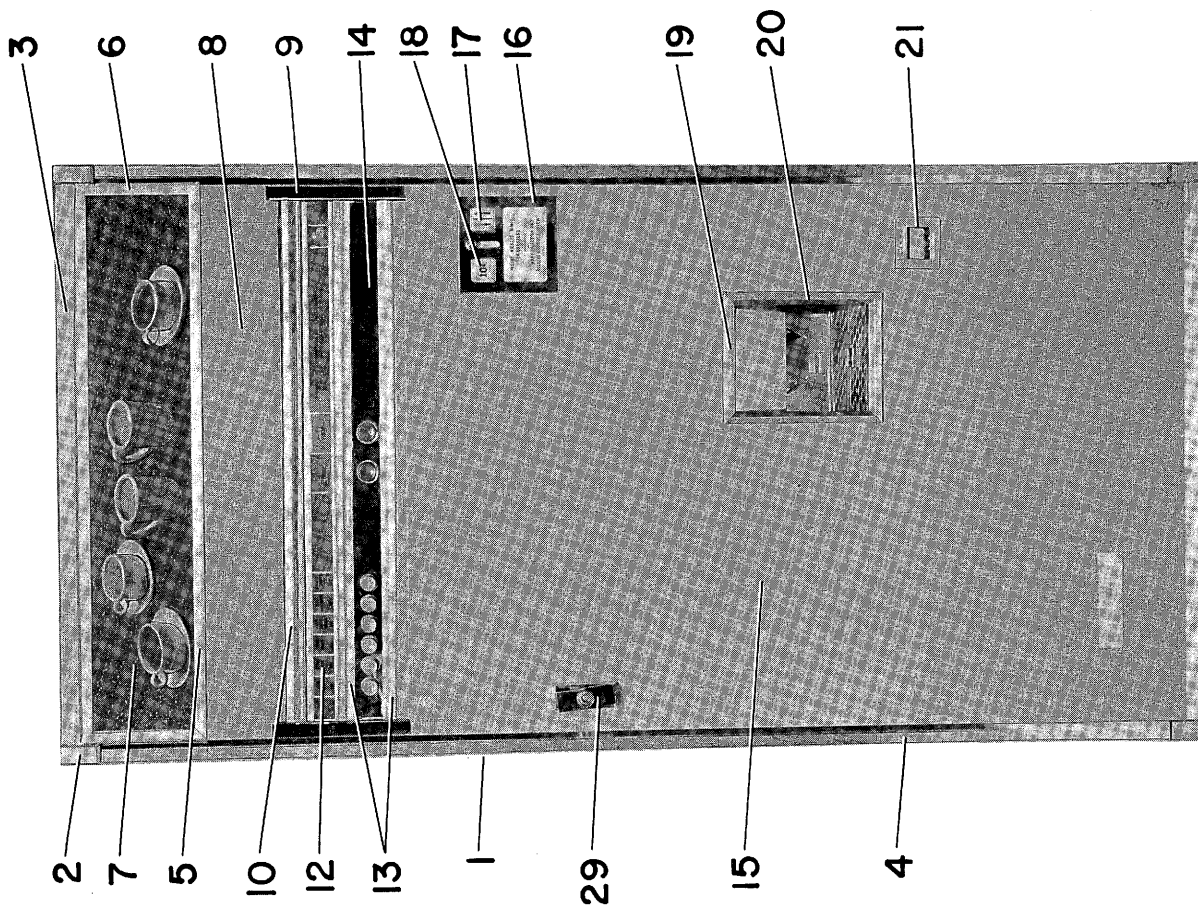
THE VEND CYCLE

The cycle begins when the proper amount of coins are inserted, they travel through the coin mechanism to the cash box. On the way through, each coin is checked for correct size, weighed and counted. Any coins that do not check correctly will be returned. Slugs and other imitation coins are held, until the coin release is pushed. If change is to be received it will be located in the change pocket. The coins then pulse switches, energizing the credit relay, which activate circuits to the selection buttons. When a selection is made the timer is started and the cup drop solenoid is pulled in, dropping a cup. The selection button also activates circuits to a water dump valve and blender motor, and corresponding circuits to a timer switch. As the timer cams turn they activate the canister motor for the proper selection. The cup is then filled. The timer returns to its home position, clearing the credit on the machine. The machine is now ready for another vend. Note: When the waste container fills with water the entire machine will shut off.

TROUBLE SHOOTING

IMPORTANT: Make sure this manual is completely followed before contacting a Factory Service Representative. When doing so give Model Number and Serial Number of the machine.

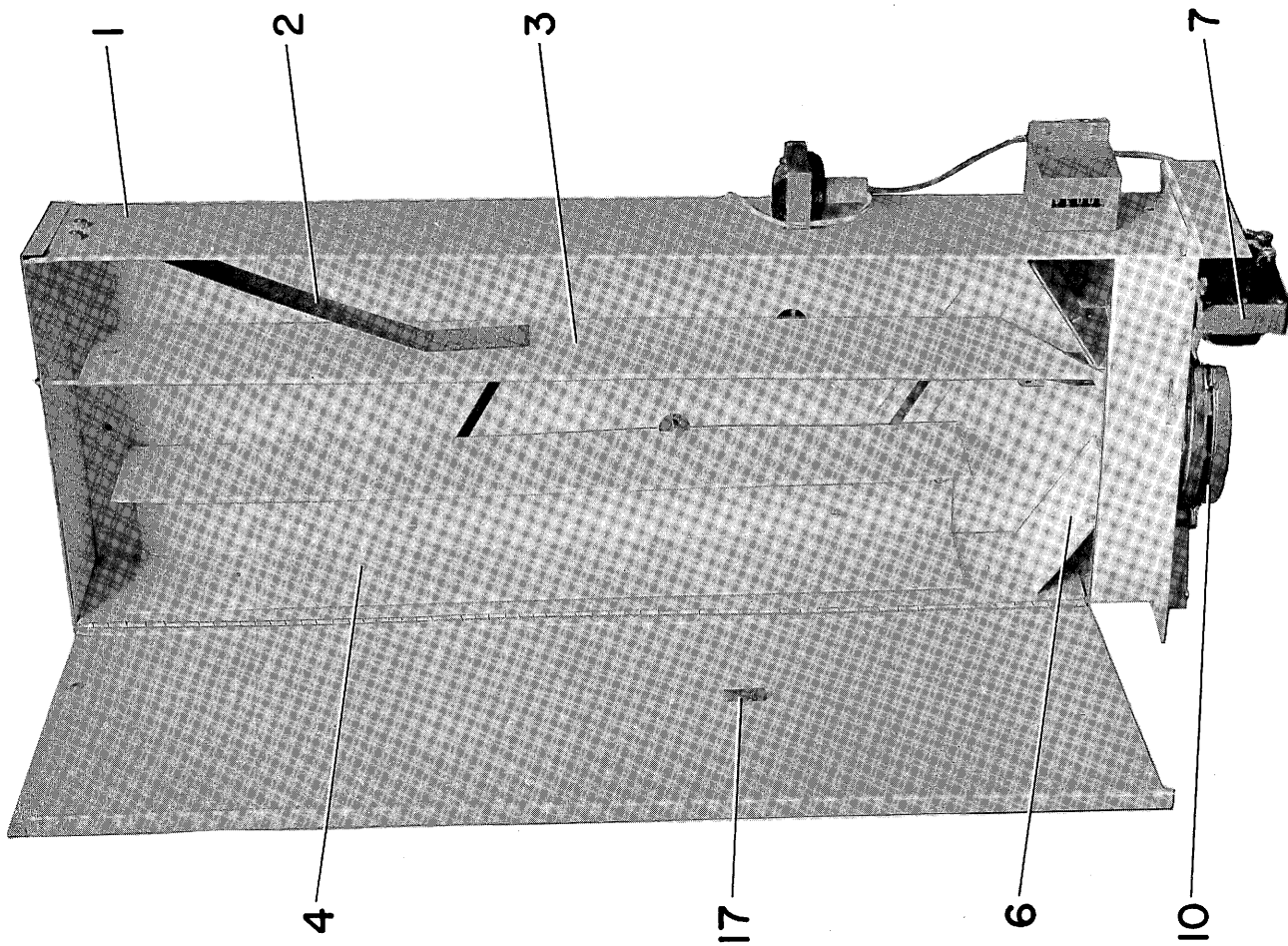
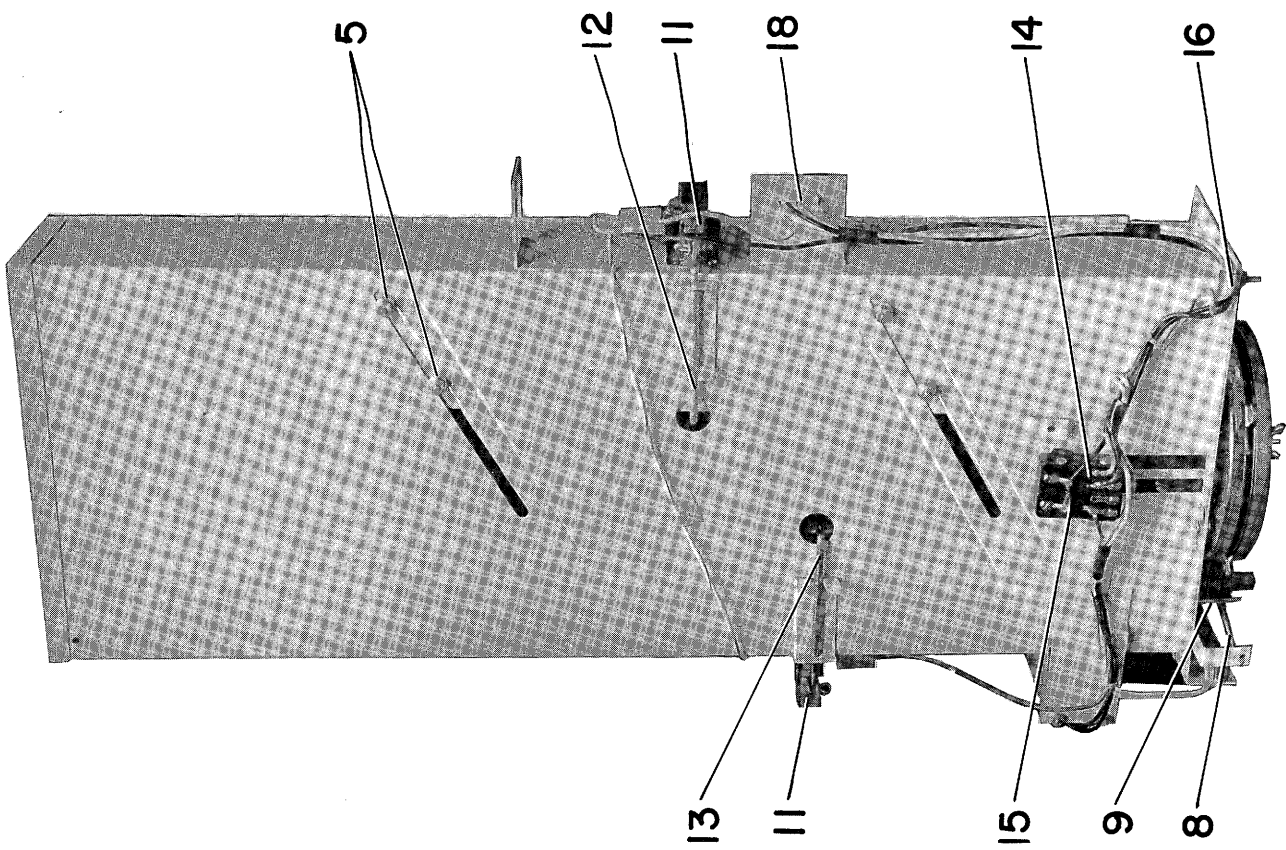
- | | |
|---|--|
| 1. Rejects all coins. | (a) Machine is unplugged.
(b) Blown fuse or circuit breaker in power source.
(c) Blown fuse in machine.
(d) Cup dispenser empty.
(e) Waste container full.
(f) Burned out coil in coin rejector electromagnet.
(g) Defective cup transfer switch.
(h) Machine already "set up", but selection not made.
(i) Black (power) wire broken or disconnected.
(j) White (neutral) wire broken or disconnected. |
| 2. Refuses money, product in machine. (Power on) | (a) Incorrect amount of money inserted.
(b) Bent coin. |
| 3. Money accepted, no product delivered. (Lose money) | (a) Canister empty.
(b) Canister not lined up with motor.
(c) Timer switch defective.
(d) Selector switch defective.
(e) Loose or broken wire to timer switch.
(f) Loose or broken wire to selector switch. |
| 4. Selection vends wrong product. | (a) Canister loaded incorrectly.
(b) Canister not in proper location.
(c) Selection switch not properly wired.
(d) Canister motor plugged into wrong outlet. |
| 5. No water from dispensing line. | (a) Loose or broken wire to float switch.
(b) Water supply turned off.
(c) Defective float switch.
(d) Stuck float in water tank.
(e) Broken or disconnected wires to dump valves.
(f) Defective dump valve. |
| 6. Water does not shut off. | (a) Defective timer switch.
(b) Defective water valve.
(c) Defective float switch on water tank.
(d) Stuck float on water tank.
(e) Defective tank float. |
| 7. Water not hot. | (a) Machine is unplugged.
(b) Thermostat set too low.
(c) Defective safety thermostat.
(d) Defective thermostat.
(e) Waste container full.
(f) Loose or broken wire to heater or thermostat.
(g) Defective float switch.
(h) Heater element burned out. |
| 8. Water too hot. | (a) Thermostat set too high.
(b) Defective thermostat. |
| 9. Drops cups only. | (a) Timer switches defective.
(b) Broken or disconnected wires to timer.
(c) Defective timer motor.
(d) Defective relay. |
| 10. No cups delivered. | (a) Cup jammed in cup ring.
(b) Cup ring out of adjustment.
(c) Defective timer motor.
(d) Defective relay.
(e) Defective cup drop solenoid. |
| 11. Relay does not energize. | (a) Coin mechanism plug loose.
(b) Loose or broken wires to relay.
(c) Loose or disconnected plug connection in wiring harness. |
| 12. Machine continues to cycle. | (a) Timer switch defective.
(b) Timer switch arm not in correct position.
(c) Contacts burned together on relay. |



DOOR ASSEMBLY

DOOR PARTS LIST

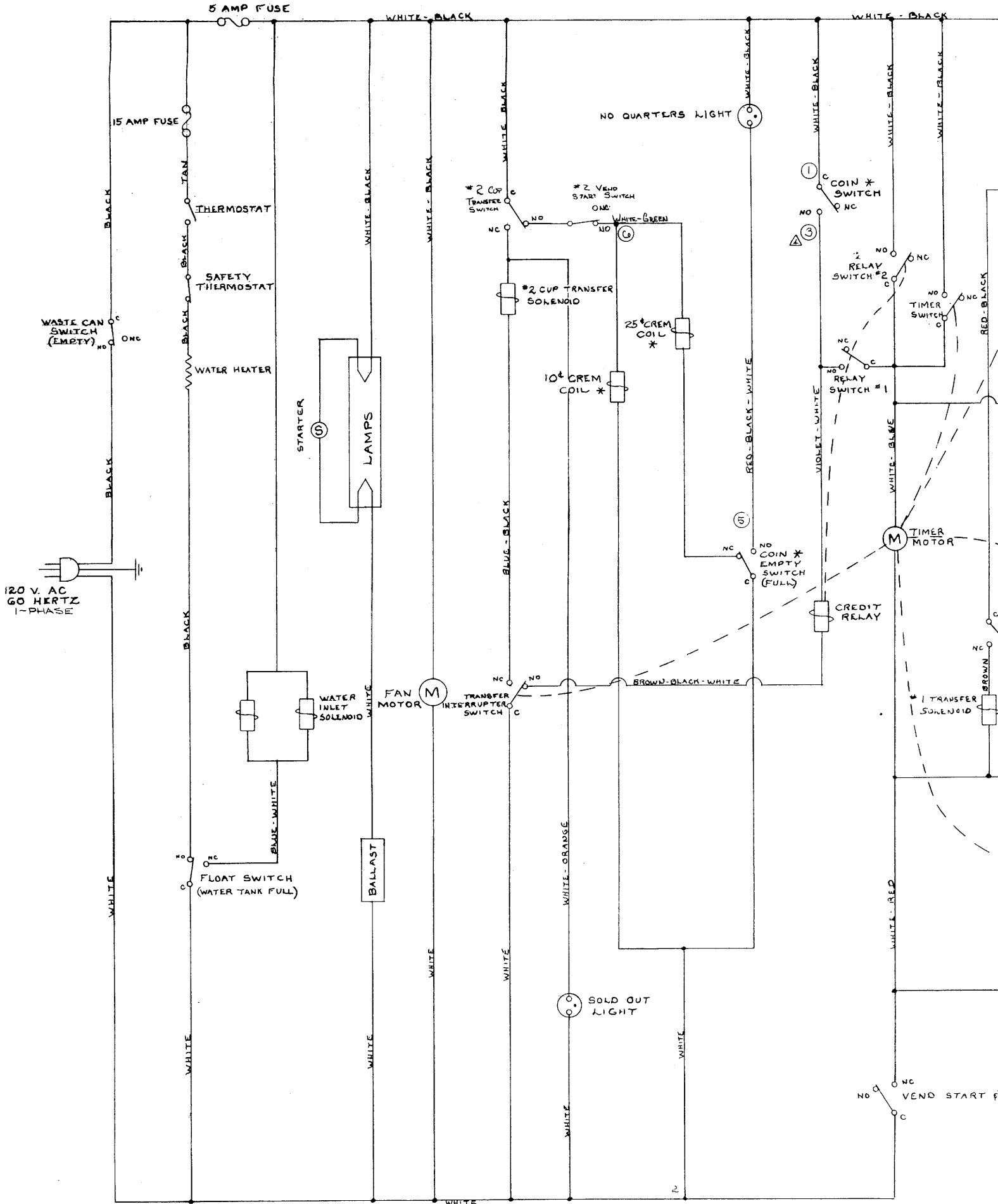
Item No.	PART NUMBER	No. Req.	PART DESCRIPTION	Item No.	PART NUMBER	No. Req.	PART DESCRIPTION
1	100615	1	Door Assembly (Complete)	-	33669	1	Ballast
-	100533	1	Door Shell Assembly	-	33617	1	Starter Holder
2	7201	4	Door Corner Blocks	-	33661	1	Starter
-	7235	1	Upper Hinge Support	-	33548	2	Lamp Holder
-	7355	1	Hinge Anchor Plate	-	33550	1	Lamp
3	22232	2	Door Trim (Top & Bottom)	-	33713	1	Safety Shield Kit
4	22271	2	Door Trim (Sides)	-	33671	1	Rubber Grommet
5	22233	2	Picture Trim (Top & Bottom)	23	100619	1	Selector Mechanism (Complete)
6	22249	2	Picture Trim (Sides)	-	100621	1	Selector Weld Assembly
-	50724	14	T-Bolts	-	25220	6	Push Button (Blue)
7	25448	1	Coffee Picture	-	25444	2	Push Button (Red)
-	25030	1	Picture Window	-	50555	8	Retainer Ring
-	25032	1	Picture Diffuser	-	21045	8	Return Spring
-	25479	1	Coffee Sign (Brown on White)	-	8909	1	Selector Switch Mounting Bracket
-	25038	1	Coffee Sign (Orange on Brown)	-	33600	8	Vend Switch
8	8386	1	Upper Door Panel (Paint)	-	8901	1	Start Switch Mounting Bracket
-	8387	1	Upper Door Panel (Wood Grain)	-	33602	2	Start Switch
9	100620	1	Selection Display Assembly (Complete)	-	33714	17	Switch Insulator
-	100296	1R-1L	Extrusion Holder Assembly	-	33628	1	Locking Solenoid
-	60127	1	Wire Clamp	-	60046	1	Rubber Washer
10	22238	1	Top Display Molding	-	50650	1	Cotter Pin
11	6577	1	Retainer Strip	-	8952	1	Selector Cover (Not Shown)
12	20251	1	Flavor Strip	-	8914	2	Selector Mounting Brackets
-	25437	1	Selection Window	-	33801	1	Selector Wiring Harness
-	33571	2	Information Lamp	24	100251	1	Gooseneck Assembly
-	22292	1	Flavor Strip Extrusion	25	7664	1	Coin Reject Slide
-	7568	2	Flavor Strip Retainer	-	30026	1	Coin Reject Knob
13	22237	2	Selector Molding	-	30053	1	Coin Reject Slide Bushing
14	8915	1	Selector Plate	-	21015	1	Coin Reject Slide Spring
-	7686	1	Wire Shield (Small)	26	-	1	Coin Mechanism
15	8381	1	Lower Door Panel (Paint)	27	100536	1	Coin Return Chute Assembly
-	8382	1	Lower Door Panel (Wood Grain)	28	100537	1	Coin Box Assembly
16	100414	1	Coin Insert Plate	29	60024	1	Lock & Cam Assembly
-	20240	1	Instruction Label	-	7681	1	Lock Plate
17	25138	1	Coin Insert Window	-	30163	1	Lock Spacer
18	25172	1	Price Window (State Price Desired)	30	100538	1	Lock Bar Assembly
19	22245	2	Cup Well Trim (Top & Bottom)	31	8378	1	Cup Dispenser Mounting Bracket
20	22246	2	Cup Well Trim (Sides)	32	100094	1R-1L	Cup Well Lock & Bracket Assembly
-	50724	8	T-Bolts	33	100535	1	Cup Well Assembly (Complete)
21	60121	1	Coin Return Cup	-	100446	1	Cup Well Welded Assembly
-	4615	1	Coin Return Flapper	-	4804	1	Cup Well Funnel
-	50639	1	Cotter Pin	-	25405	1	Cup Well Door
22	100549	1	Light Reflector Assembly (Complete)	-	25406	1	Cup Well Floor
-	100330	1	Light Reflector	-			
-	7218	1	Light Bracket	-			

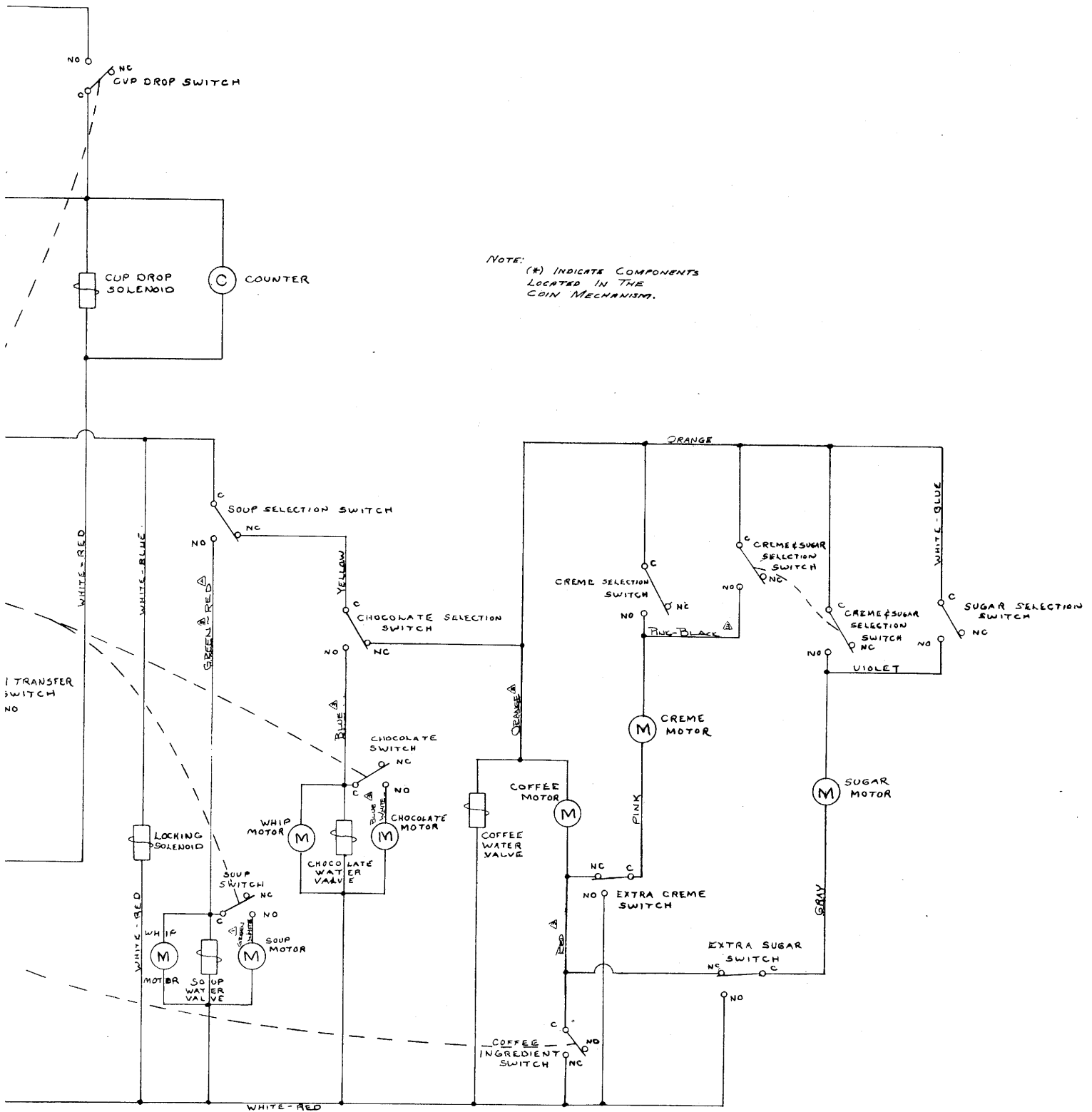


CUP DISPENSER ASSEMBLY

CUP DISPENSER PARTS LIST

Item No.	PART NUMBER	No. Req.	PART DESCRIPTION
	100617	1	Cup Dispenser (Complete)
1	100457	1	Cup Dispenser Assembly (Cabinet only)
2	4623	1	Flat Transfer Spring
3	100183	1	Cup Gate Assembly
4	4617	1	Cup Transfer Channel
5	30114	4	Cup Transfer Bushing
6	4646	2	Cup Slide Drop Extension
7	33637	1	Cup Drop Solenoid
	4648	1	Solenoid Adjusting Stop
8	21005	1	Large Solenoid Spring
9	4660	1	Cup Ring Solenoid Link
10	60125	1	Cup Drop Ring
	4647	1	Cup Ring Lock
11	33635	2	Cup Transfer Solenoid
	21006	2	Small Solenoid Spring
	50650	2	Cotter Pin
12	4616	1	Long Solenoid Rod
13	5833	1	Short Solenoid Rod
14	33587	1	Cup transfer Switch (Long Actuator)
15	33589	1	Cup Transfer Switch (Short Actuator)
	60130	2	Press Clip
16	60116	1	3/8" Wire Clamp
17	60114	1	Magnet
	60018	1	Paper Clip
18	33800	1	Cup Drop Wire Harness

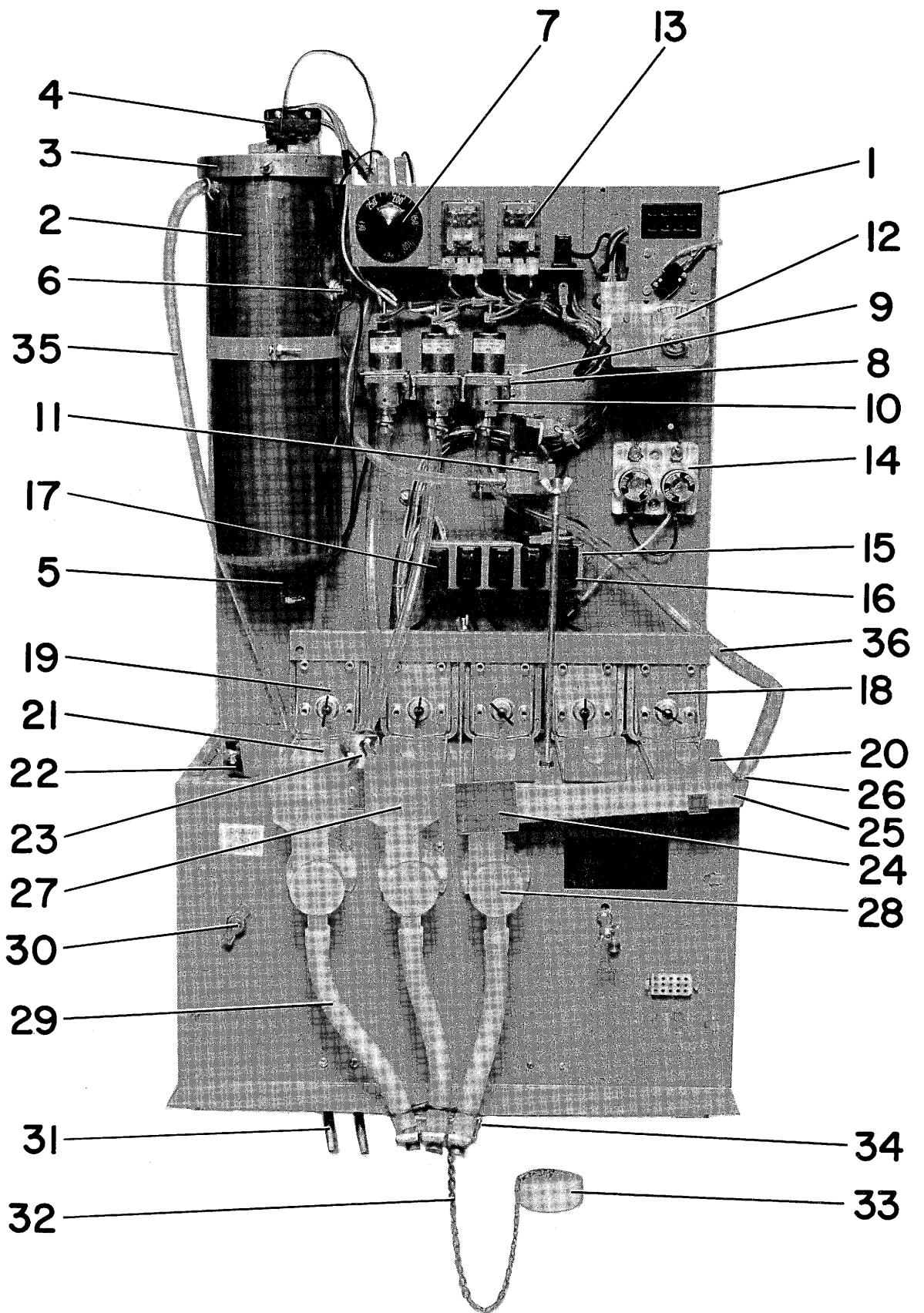




NOTE: (*) INDICATE COMPONENTS LOCATED IN THE COIN MECHANISM.

WIRING DIAGRAM

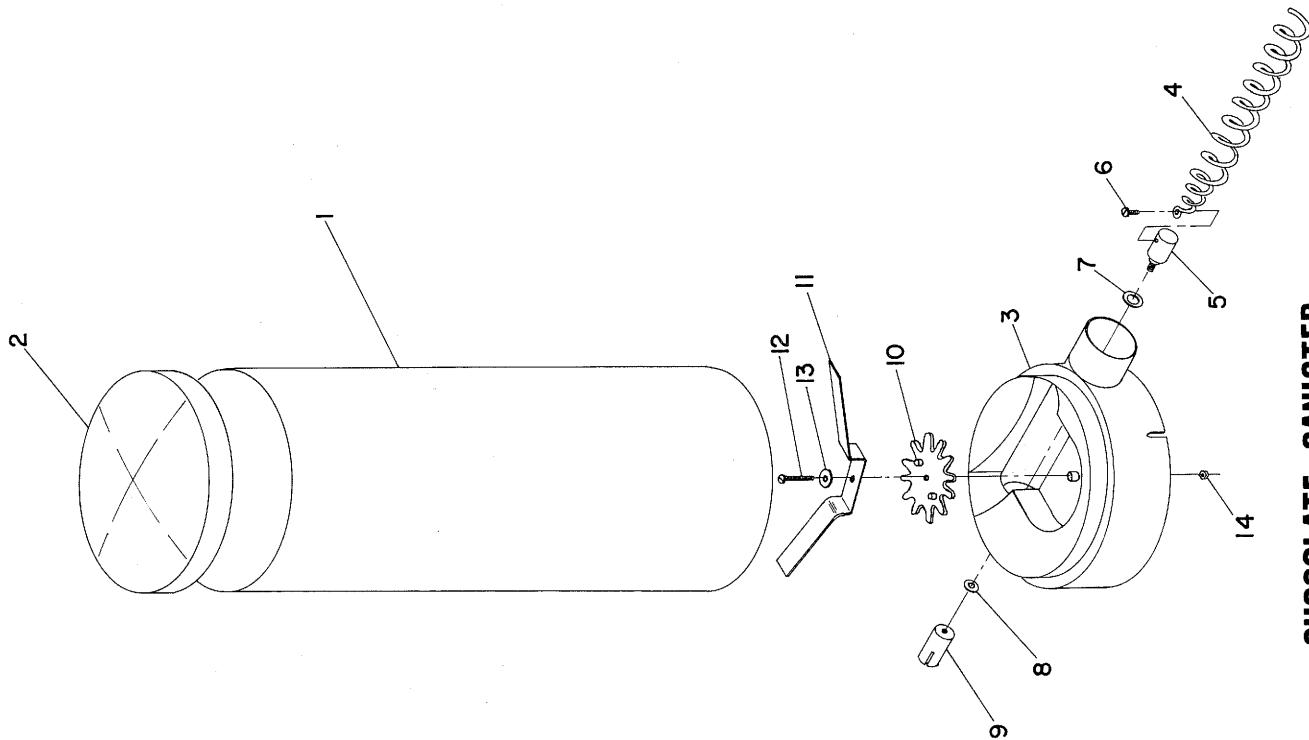
#20256



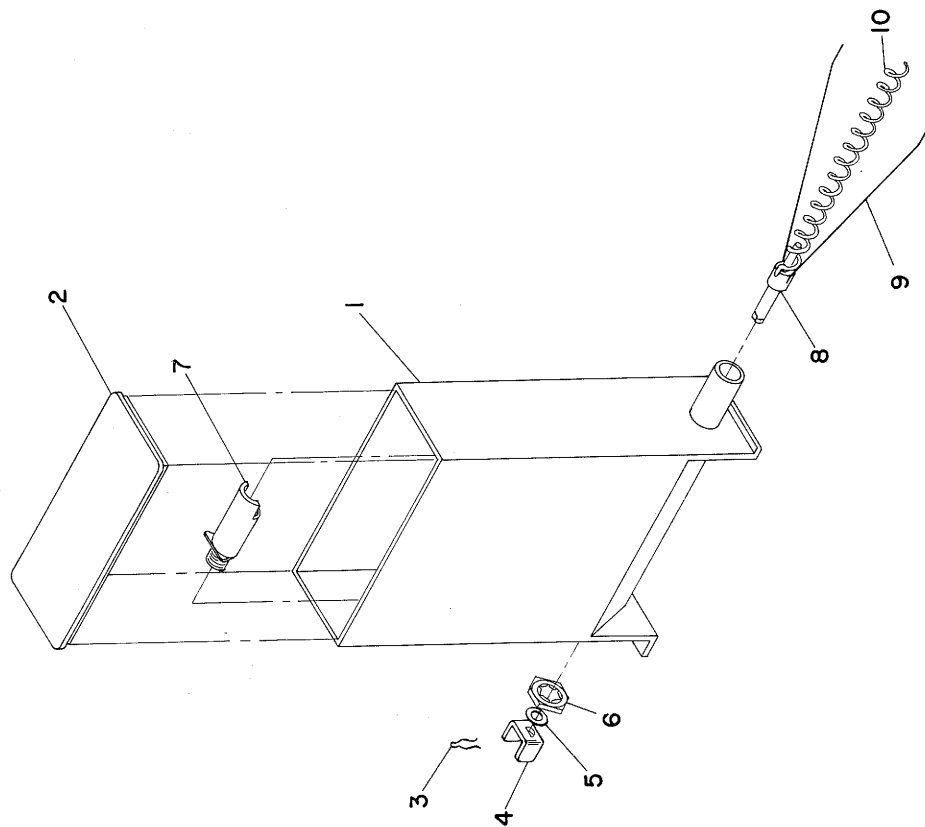
CHASSIS ASSEMBLY

CHASSIS PARTS LIST

Item No.	PART NUMBER	No. Req.	PART DESCRIPTION	Item No.	PART NUMBER	No. Req.	PART DESCRIPTION
1	100616	1	Coffee Chassis (Complete	20	5701	4	Canister Holder
2	100090	1	Chassis Weld Assembly	21	5797	1	Motor Hold Down
3	100555	1	Water Tank	22	100168	1	Chocolate Canister Holder
	100307	1	Water Tank Lid	23	5727	1	Chocolate Canister Hold Down
	60115	1	Float	24	100177	1	Water Outlet Assembly
	30113	1	Float Rod	25	100093	1	Water Trough Plate Assembly
	50520	1	10-32 Nylon Hex Nut (Thin)	26	25426	1	Coffee Trough
	50519	1	10-32 Nylon Lock Nut		5728	1	Trough Hose Holder
4	33591	1	Float Switch		33649	2	Blender Motor (Located Behind Chassis)
	33673	1	Rubber Grommet		25418	2	Retainer Nut
5	33633	1	Heating Element		25419	2	Retainer Seal
	60122	3	Element Gasket		25420	1	Coffee Base
	50557	1	Lock Nut		25421	2	Blender Base
6	33598	1	Safety Thermostat		25422	2	Slinger Base
7	33577	1	Adjustable Thermostat	27	25428	2	Blender Funnel
	33608	1	Thermostat Knob	28	25429	3	Blender Housing
8	33123	1	Dump Valve Manifold		25430	2	Impeller Blade
	60117	3	Manifold Gasket		33652	5	Grommet
	30115	3	Manifold Valve Plate		33683	1	Cord Lock Bushing
9	5805	1	Manifold Bracket	29	25410	26"	1/2" I.D. Mayon Tubing
10	33640	3	Dump Valve		100097	1	Fan Duct Assembly (Located Behind Chassis)
	60107	2	1/4" Closed Brass Nipple		33651	1	Fan Motor
	60110	1	1/4" Brass Elbow 45°		33844	1	Fan Blade
11	33697	1	Water Inlet Valve	30	60102	1	Brass Drain Valve
	50619	2	Lock Washer	31	100144	1	Bucket Hose Bracket Assembly
	50553	1	3/4-16 Hex Nut		33585	1	Waste Pan Switch
	60108	1	3/8" F.L. x 1/4" Brass Elbow 90°	32	60124	18"	No. 18 Brass Chain
	60109	1	1/4" F.P.T. x 1/4" F.P.T. Brass Elbow 90°	33	25407	1	Bucket Float
	60111	3	1/4" M.P.T. Brass Hose Barb		4673	1	Water Tank Strap
12	100618	1	Timer Assembly (Complete)		4855	3	Spout Nipple
	33644	1	Timer Motor		5706	1	Canister Hold Down Cover (Not Shown)
	50568	1	E-Ring		25177	1	Chassis Front Cover, Plastic (Not Shown)
	20086	1	Washer, Paper		100098	1	Air Housing Cover (Not Shown)
	5708	1	Timer Cam	34	4666-2	1	Spout Holder
	30117	6	Spacer	35	25408	75"	1/4" I.D. Mayon Tubing
	7600	1	Coin Mech Cam	36	25409	56"	3/8" I.D. Mayon Tubing
	7709	1	Clearing Cam		60101	8	9/16" Hose Clamp
	5748	4	Ingredient Stationary Cam		60105	7	1/2" Hose Clamp
	100305	1	Ingredient Adjustable Cam (Green)		60116	4	3/8" Hose Clamp
	100306	1	Ingredient Adjustable Cam (Blue)		30109	1	1/4" x 3" Stud
	100304	1	Ingredient Adjustable Cam (Red)		30111	1	1/4" x 9-3/4" Stud
	50608	4	1" O.D. x 17/32" I.D. Washer		30112	2	1/4" x 6-1/4" Stud
	50623	1	5/16" I.D. Washer		50530	5	1/4" Wing Nut
	50530	1	Wing Nut		50524	1	10-32 Wing Nut
	8940	1	Timer Switch Bracket		20014	1	Labels
	33593	6	Timer Switch		20080	1	Chicken, Beef, Onion, 5¢, 10¢, 15¢, 20¢
	7688	1	Timer Shaft Bracket		20081	1	Coffee, Sugar, Creme, Chocolate, Soup
	33706	2	Switch Insulator		20084	1	Drain & Flush
13	33702	1	Relay		20085	1	185° Temperature
	33703	1	Relay Socket		20089	1	Beef
	33647	1	Counter		20090	1	Chocolate Water Adjustment
14	33621	1	Fuse Block		20091	1	Soup Water Adjustment
	33612	1	15 amp. Fuse		20092	1	Coffee Water Adjustment
	33613	1	5 amp. Fuse		33796	1	Chicken
15	5716	1	Outlet Bracket		33797	1	Wiring Harness
16	33629	6	Outlet (Female)		33730	1	Main Chassis Harness
17	33629	6	Plug (Male)		33738	1	Secondary Chassis Harness
18	33655	4	Ingredient Motor		33738	1	Fan Neutral Wire
9	33657	1	Chocolate Motor		33795	1	Fan Feed Wire
							Water Tank Harness



CHOCOLATE CANISTER ASSEMBLY



INGREDIENT CANISTER ASSEMBLY

INGREDIENT CANISTER PARTS LIST All Except Soup

Item No.	PART NUMBER	No. Req.	PART DESCRIPTION
-	25440	3	Ingredient Canister (Complete)
1	25425	1	Canister Only
2	25515	1	Canister Lid
3	25512	1	Clip
4	25511	1	Clevis
5	25513	1	Washer
6	25514	1	Nut
7	25510	1	Nylon Bearing
8	25506	1	Stub Shaft
9	25508	1	Agitator Spring
10	25507	1	Auger Spring

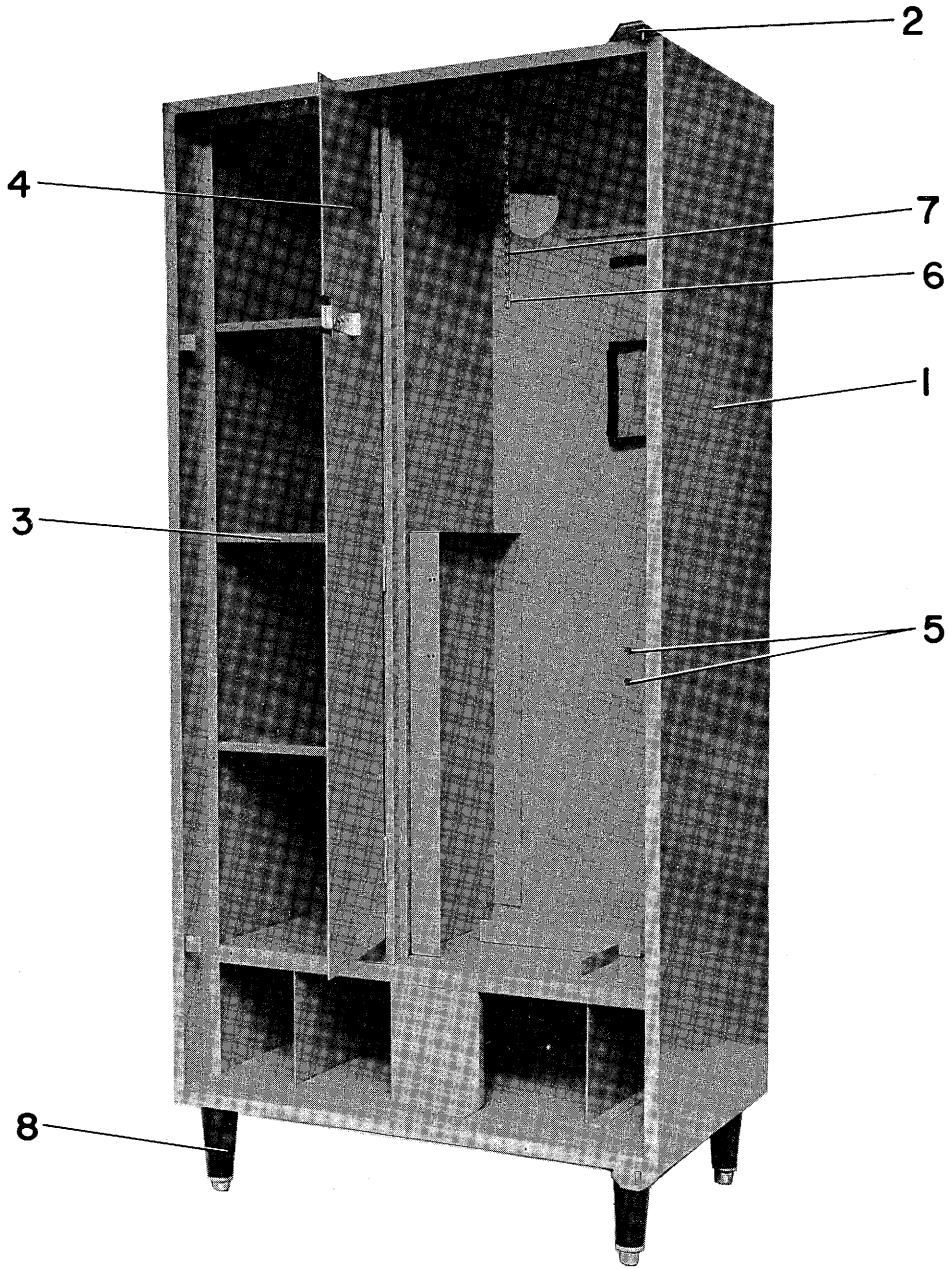
CHOCOLATE CANISTER PARTS LIST

Item No.	PART NUMBER	No. Req.	PART DESCRIPTION
-	25417	1	Canister (Complete)
1	25516	1	Canister only
2	25517	1	Lid
3	25518	1	Canister Base
-	50239	3	8-32 x 3/8" Self-threading Screw
4	25519	1	Auger Spring
5	25520	1	Stub Shaft
6	25526	1	6-32 x 3/8" Self-threading Screw
7	25524	1	Stainless Steel Washer
8	25525	1	Brass Washer
9	25521	1	Yoke
10	25522	1	Agitator Sprocket
11	25523	1	Agitator
12	25527	1	10-32 x 5/8" Bolt
13	25528	1	Flat Washer
14	25529	1	10-32 Hex Nut

SOUP CANISTER PARTS LIST

Item No.	PART NUMBER	No. Req.	PART DESCRIPTION
-	25489	1	Soup Canister (Complete)
1	25425	1	Canister Only
2	25515	1	Canister Lid
3	25512	1	Clip
4	25511	1	Clevis
5	25513	1	Washer
6	25514	1	Nut
7	25510	1	Nylon Bearing
8	25506	1	Stub Shaft
9	25509	1	Agitator Spring
10	25507	1	Auger Spring

CABINET ASSEMBLY



COFFEE CABINET PARTS LIST

Item No.	PARTS NUMBER	No. Req.	PARTS DESCRIPTION
—	100557	1	Cabinet Assembly (Complete)
1	100540	1	Cabinet Shell
2	100547	1	Upper Hinge Assembly
3	8371	3	Shelves
4	100558	1	Inner Door Assembly (Complete)
5	60129	2	Hole Plug
—	60226	1	Water Filter (Optional)
—	60126	1	5/8" Wire Clamp
6	60073	2	No. 3 "S" Hook
7	60082	10"	No. 30 Steel Sash Chain
8	60040	4	Cabinet Legs
—	60086	1	Waste Pan

PARTS ORDER BLANK

When ordering be sure to give the serial number of the machine and model as well as indicate the size and type. See plate attached to back or side of cabinet. Minimum parts order \$1.00 - C.O.D. - F.O.B. Factory. If part is covered and in warranty, upon receipt of part at plant, it will be examined for defects in material or workmanship. A refund will then be made if part is found defective and in warranty. NOTE: All parts orders must be accompanied by check or order will be sent C.O.D. Refunds will be made on receipt of any warranty defective parts only.

MODEL NO.	SERIAL NO.	QUAN.	PART NO.	DESCRIPTION

NAME _____
ADDRESS _____
CITY _____ STATE _____ ZIP CODE _____

MAKE CHECKS PAYABLE TO: **FAWN SALES INC.**
P.O. BOX 1333
8040 University Blvd.
DES MOINES, IOWA 50305

PARTS ORDER BLANK

When ordering be sure to give the serial number of the machine and model as well as indicate the size and type. See plate attached to back or side of cabinet. Minimum parts order \$1.00 - C.O.D. - F.O.B. Factory. If part is covered and in warranty, upon receipt of part at plant, it will be examined for defects in material or workmanship. A refund will then be made if part is found defective and in warranty. NOTE: All parts orders must be accompanied by check or order will be sent C.O.D. Refunds will be made on receipt of any warranty defective parts only.

MODEL NO.	SERIAL NO.	QUAN.	PART NO.	DESCRIPTION

NAME _____

ADDRESS _____

CITY _____ STATE _____ ZIP CODE _____

MAKE CHECKS PAYABLE TO: **FAWN SALES INC.**
P.O. BOX 1333
8040 University Blvd.
DES MOINES, IOWA 50305

WARRANTY

The manufacturer warrants to the original purchaser of this vendor that any part which proves to be defective in material or workmanship under normal use and service, will be repaired or replaced without charge other than transportation charges, for a period of (1) one year from the date of purchase. This warranty does not, under any circumstance, place the factory liable for service labor and related costs. All replacements or repairs under this warranty are to be handled, so far as possible, through the dealer from whom the equipment was purchased, under no circumstances are defective parts to be returned to the factory without permission. There is no warranty on the paint. It is being expressly understood that the warranty is void if the vendor has not been properly serviced or if there is evidence of misuse.

