

OPERATION MANUAL

CANDY VENDOR

INSTALLATION:

1. Record the Model Number _____ and Serial Number _____ located, on a metal plate, on the outside of the cabinet.
2. Remove any tape, braces and other packing materials from the outside of the machine.
3. The keys will be found taped to the delivery pan or located in the coin-return pocket.
4. Open the door and remove any shipping brackets, packing and tape.
5. Located in the cabinet are the legs.
6. Tilt the machine so one side is raised off the floor approximately 8-inches.
7. Line up the bolts, in the legs, with the holes located in the bottom of the machine.
8. Screw in the legs, until tight. Repeat the procedure with the other side of the machine.
9. Move the machine to the desired location.
10. The machine must be level to operate correctly. Leveling is done by adjusting the leveling screws located at the bottom of each leg. Start with the leveling screws, screwed in as far as possible. Adjust so the machine is level and does not rock or teeter on any of the legs.

LOADING INSTRUCTIONS:

1. To set shelves, pull the lever to the left of each stack, this will set the first shelf. Run finger up the front of all the shelves. Make sure the shelves lock as they are lifted.
2. Load products to coincide with correct product on display.
3. When partially loading, load from the top shelf down. Unused shelves should be in the down position.

PRICE SETTING:

SETTING THE FIRST PRICE:

1. The first price wire "C" will always remain in the "O" slot of the wire guide. The first price will be equal to or less than the second price.
2. To remove the SCS unit, remove the bolt holding the top of the unit. Swing the unit slightly to the right and lift off.
3. Loosen the center screw "A" and rotate the nylon price wheel until the desired price appears centered in the price window "B". The price in the window will be the low or first price only. The second price is set with the price wire.
4. Retighten the center screw "A" and replace the unit.

SETTING THE SECOND PRICE:

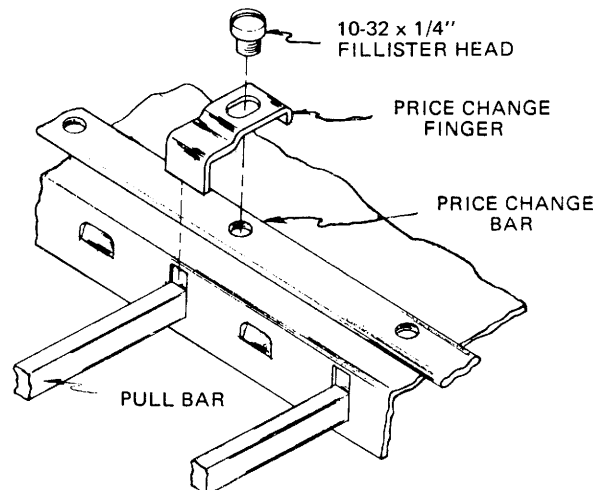
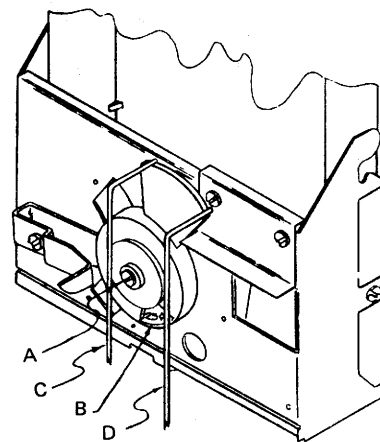
1. Loosen the wing nut on the wire retainer, raise it as high as the slot will allow. Retighten the wing nut to hold the retainer in place.

Note: Each slot away from the "O" slot represents a nickel advance in price from the first price.

2. Insert coins equal to amount of first price setting, pull one of the pull knobs out and hold it in that position.
3. Lift the second price wire "D", into the desired slot.
4. Slowly release the pull knob, return the wire retainer over the wire guide and retighten the wing nut.

PRICE CHANGE FINGERS:

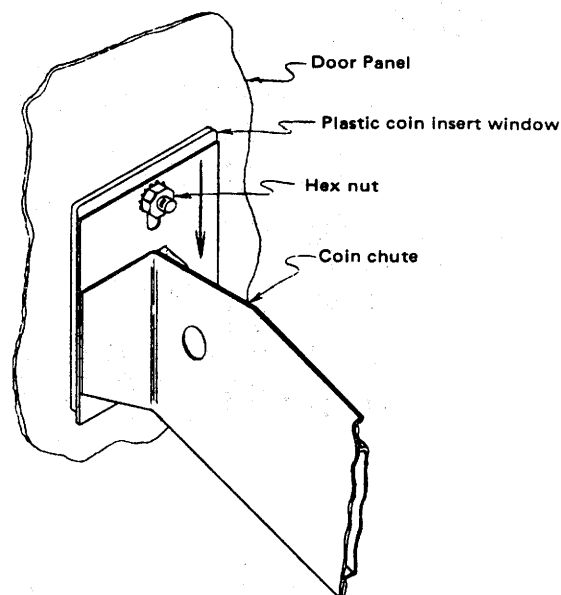
1. For each selection that you wish to vend for the higher price, fasten a price change finger to the price change bar directly over the pull bar.
2. Do not use a price change finger for those selections vending at the lower price.



QUARTER RESTRICTION ADJUSTMENT:

IF DESIRED, QUARTERS MAY BE RESTRICTED FROM BEING INSERTED INTO THE COIN ENTRY SLOT.

1. Loosen the hex nuts, located at the top and bottom of the coin chute.
2. Slide coin chute down as far as the slots will permit. This will shorten the distance of the coin entry slot, preventing the acceptance of quarters.
3. Retighten the hex nuts.



THE VEND CYCLE:

The cycle begins when the proper amount of coins are inserted. They travel through the coin mechanism to the escrow box. On the way through, each coin is checked for correct size, weighed and counted. Any coins that do not check correctly will be returned. The coins mechanically activate wires for each coin, advancing the price wheel to the preselected price setting. The coins are then held in the escrow box. When the pull knob is pulled, the control bar is moved forward. This will let the price wires move down, and rest upon the nylon price wheel. The price wires will hold up the locking fingers, letting the pull knob move outward. As the pull knob continues outward, the reset cam assembly will ride on the sliding ratchet, causing the rejector reset lever to reset the price wheel to its starting position. At the time the ratchet pawl reaches the end of the teeth on the sliding ratchet, the escrow box will open dropping the coins into the coin box. The product is vended, and the machine is ready for another vend.

TROUBLE SHOOTING:

IMPORTANT: Make sure this manual is completely followed before contacting a Factory Service Representative. When doing so give Model Number and Serial Number of the machine.

1. Rejects all coins.	(a) Machine not level. (b) Dirty rejector. (c) Defective rejector. (d) Bent coins in rejector.
2. Accepts coins, but will not vend.	(a) Coin lodged in rejector. (b) Coin lodged in coin chute. (c) Coin chute out of alignment. (d) Defective rejector. (e) Product sold out.
3. Plays for price lower than setting.	(a) Price setting incorrect. (b) Price change wire(s) bent toward the back of the machine. (c) Wire guide adjusted back too far. (d) Price change finger over second price pull bar bent up.
4. Accepts coins, will not play for price set.	(a) Price change return arm adjusted too high. (b) Price change wire(s) bent up.
5. Set for dual pricing, will not play on higher price.	(a) Wire guide adjusted forward too far. (b) Second price wire bent too high. (c) Price change control tab bent too low.
6. Second price plays for first price.	(a) Price change control tab bent too far back. (b) Wire guide adjusted back too far. (c) Price change finger not over pull bar for selection of higher price.

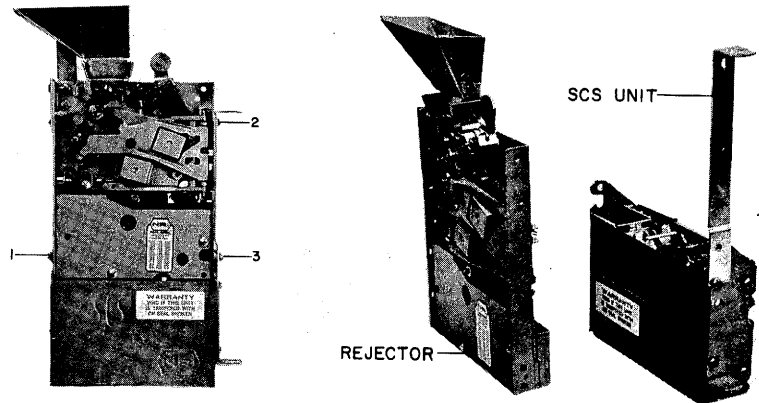
COIN REJECTOR CARE:

CLEANING:

1. Remove the rejector from the SCS unit, by removing three bolts. Note the size of each bolt. See Illustration.
2. Soak the rejector in warm water and a mild household detergent for approximately ten minutes.
3. Use a stiff paint brush or toothbrush to clean foreign matter from the bearings and the rest of the rejector.
4. Rinse in warm water.
5. Dry thoroughly by shaking or by applying filtered compressed air.

LUBRICATION:

1. All cradles, bushings and pins must be re-oiled with SAE 10W auto oil. One or two drops is sufficient. **DO NOT OVER OIL.**
2. Nylon parts are self-lubricating.
3. Reassemble the rejector and SCS unit.



CARE AND CLEANING:

CABINET:

Wash with water and soap, both inside and out. Wipe dry with clean cloth.

DELIVERY TRAY:

Occasionally clean and wax with a good auto wax.

LUBRICATION:

For smooth operation of the machine the moving parts should be kept lubricated, approximately once a year. Use Lubriplate, white grease or similar type of grease on the following parts.

1. Ends of all control bars where they come through the end plates.
2. The ratchet, located behind the coin mechanism.
3. Price change return arm, located on the left-hand side of the machine.

Note: Use grease sparingly. The lubricant is quite durable and is not necessary to use too much. Excessive grease will accumulate dust and dirt, causing difficulty in operating the mechanism.

