



COFFEE MACHINE



MODELS:

3205 - FRESH BREW

3206 - FREEZE DRIED

PARTS MANUAL

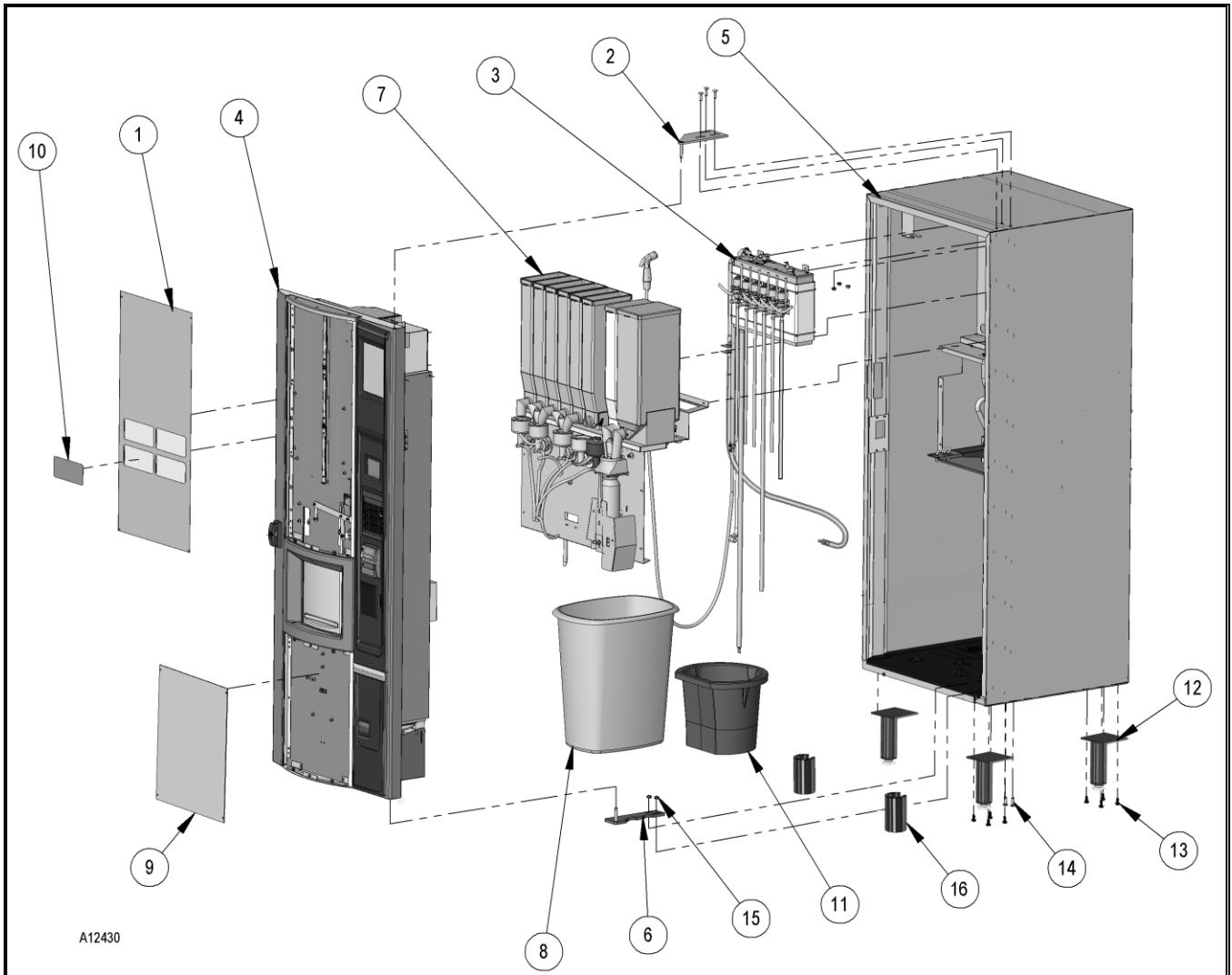
VendNet™

165 North 10th Street
Waukee, IOWA 50263-0488
United States of America

TABLE OF CONTENTS

FINAL ASSEMBLY COFFEE MACHINE - FB	1
<i>FINAL ASSEMBLY COFFEE MACHINE - FB PARTS LIST</i>	2
FINAL ASSEMBLY COFFEE MACHINE - FD	3
<i>FINAL ASSEMBLY COFFEE MACHINE - FD PARTS LIST</i>	4
DOOR ASSEMBLY	5
<i>DOOR ASSEMBLY PARTS LIST</i>	7
CUP HOUSING ASSEMBLY	10
<i>CUP HOUSING ASSEMBLY PARTS LIST</i>	10
CUP COMPARTMENT DOOR ASSEMBLY	12
<i>CUP COMPARTMENT DOOR ASSEMBLY PARTS LIST</i>	12
DOOR LINKAGE ASSEMBLY	14
<i>DOOR LINKAGE ASSEMBLY PARTS LIST</i>	15
DROP UNIT SUB-ASSEMBLY	16
<i>DROP UNIT SUB-ASSEMBLY PARTS LIST</i>	16
LIFT DOOR MOTOR ASSEMBLY	18
<i>LIFT DOOR MOTOR ASSEMBLY PARTS LIST</i>	18
LED INSTALLATION ASSEMBLY	19
<i>LED INSTALLATION ASSEMBLY PARTS LIST</i>	19
COIN MECHANISM MOUNT ASSEMBLY	20
<i>COIN MECHANISM MOUNT ASSEMBLY PARTS LIST</i>	20
COIN RETURN MECHANISM ASSEMBLY	21
<i>COIN RETURN MECHANISM ASSEMBLY PARTS LIST</i>	21
POINT OF PURCHASE ASSEMBLY	22
<i>POINT OF PURCHASE ASSEMBLY PARTS LIST</i>	22
POINT OF PURCHASE LED ASSEMBLY	22
<i>POINT OF PURCHASE LED ASSEMBLY PARTS LIST</i>	22
CABINET ASSEMBLY	23
<i>CABINET ASSEMBLY PARTS LIST</i>	24
DISPENSE HEAD ASSEMBLY	26
<i>DISPENSE HEAD ASSEMBLY PART LIST</i>	27
FRESH BREW INSTALLATION ASSEMBLY	28
<i>FRESH BREW INSTALLATION ASSEMBLY PART LIST</i>	29
FREEZE DRIED INSTALLATION ASSEMBLY	30
<i>FREEZE DRIED INSTALLATION ASSEMBLY PART LIST</i>	31
WHIPPER MOTOR ASSEMBLIES	32
<i>GRAY WHIPPER MOTOR ASSEMBLY PARTS LIST</i>	32
<i>BROWN WHIPPER MOTOR ASSEMBLY PARTS LIST</i>	32
<i>BEIGE MIXING BOWL ASSEMBLY (BLIND) PARTS LIST</i>	33
<i>BEIGE WHIPPER MOTOR ASSEMBLY PARTS LIST</i>	33
WATER HEATER/BOILER ASSEMBLY	34
<i>WATER HEATER/BOILER ASSEMBLY PARTS LIST</i>	35
EXHAUST FAN ASSEMBLY	36
<i>EXHAUST FAN ASSEMBLY PARTS LIST</i>	36
INGREDIENT MOTOR PANEL ASSEMBLY	37
<i>INGREDIENT MOTOR PANEL ASSEMBLY PARTS LIST</i>	37
12 OZ COFFEE BREWER SPARE PARTS (FB & BTC)	38
<i>12 OZ COFFEE BREWER SPARE PARTS LIST</i>	38

FINAL ASSEMBLY COFFEE MACHINE - FB



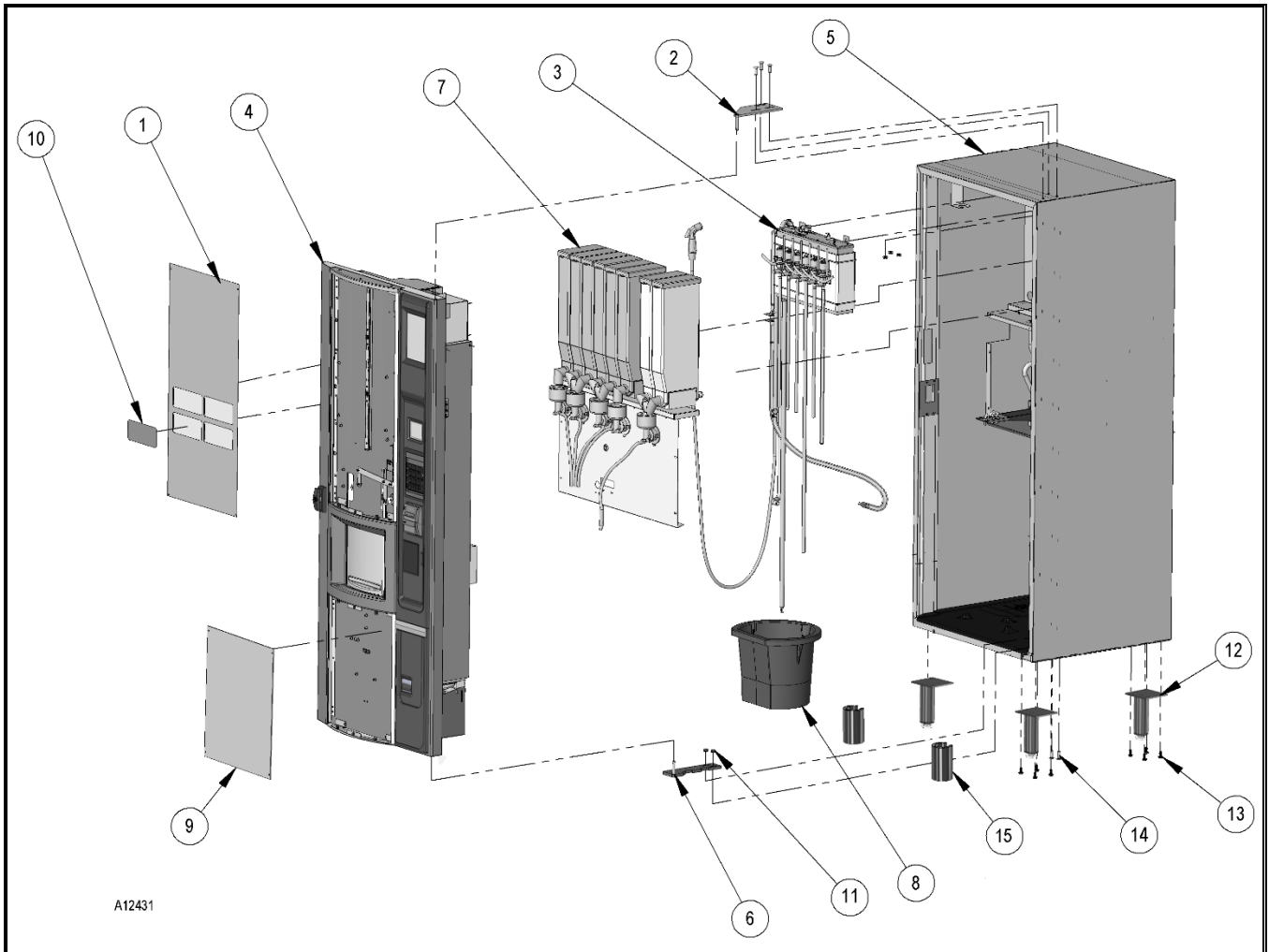
FINAL ASSEMBLY COFFEE MACHINE - FB PARTS LIST

ITEM NO.	PART NUMBER	FB	DESCRIPTION
1	1216845	1	TOP SIGN/COFFEE ES
2	1216947.000330	1	UPPER HINGE STAKE
3	(SEE PAGE # 34)	1	WATER HEATER/BOILER
4	(SEE PAGE # 5)	1	DOOR ASSEMBLY ES
5	(SEE PAGE # 23)	1	COMMON CABINET/COFFEE/110
6	1218650.000330	1	BOTTOM HINGE-ADA COFFEE
7	(SEE PAGE # 28)	1	FRESH BREW INSTALLATION-ADA
8	4214471	1	40QT WASTE BASKET
9	4220794	1	BOTTOM SIGN FACE
10	4214600.004	1	SELECTION LABEL/ENGLISH/ SINGLE CUP
	4214600	1	SELECTION LABEL/ENGLISH/ DUAL CUP
	4214600.005	1	SELECTION LABEL/FRENCH/ SINGLE CUP
	4214600.001	1	SELECTION LABEL/FRENCH/ DUAL CUP
	4214600.006	1	SELECTION LABEL/SPANISH/ SINGLE CUP
	4214600.003	1	SELECTION LABEL/SPANISH/ DUAL CUP
11	4214577	1	BUCKET 3GAL PAIL
12	1220522	4	TUBULAR LEG WELD W/LEG LEVELER (4219208)
13	4220923	16	5/16-18X5/8 HWH TYPE
14	8810013	5	5/16-18 X 1 CARR. BOLT
15	8810015	5	5/16-18 FLANGE LOCK NUT
16	4224812	2	SNAP-ON LEG COVER

LIST OF PARTS NOT SHOWN

	4214917	1	HBM LABEL SET ENGLISH
	4214917.001	1	HBM LABEL SET FRENCH
	4214917.002	1	HBM LABEL SET SPANISH
	4216016	1	GFCI POWER CORD

FINAL ASSEMBLY COFFEE MACHINE - FD



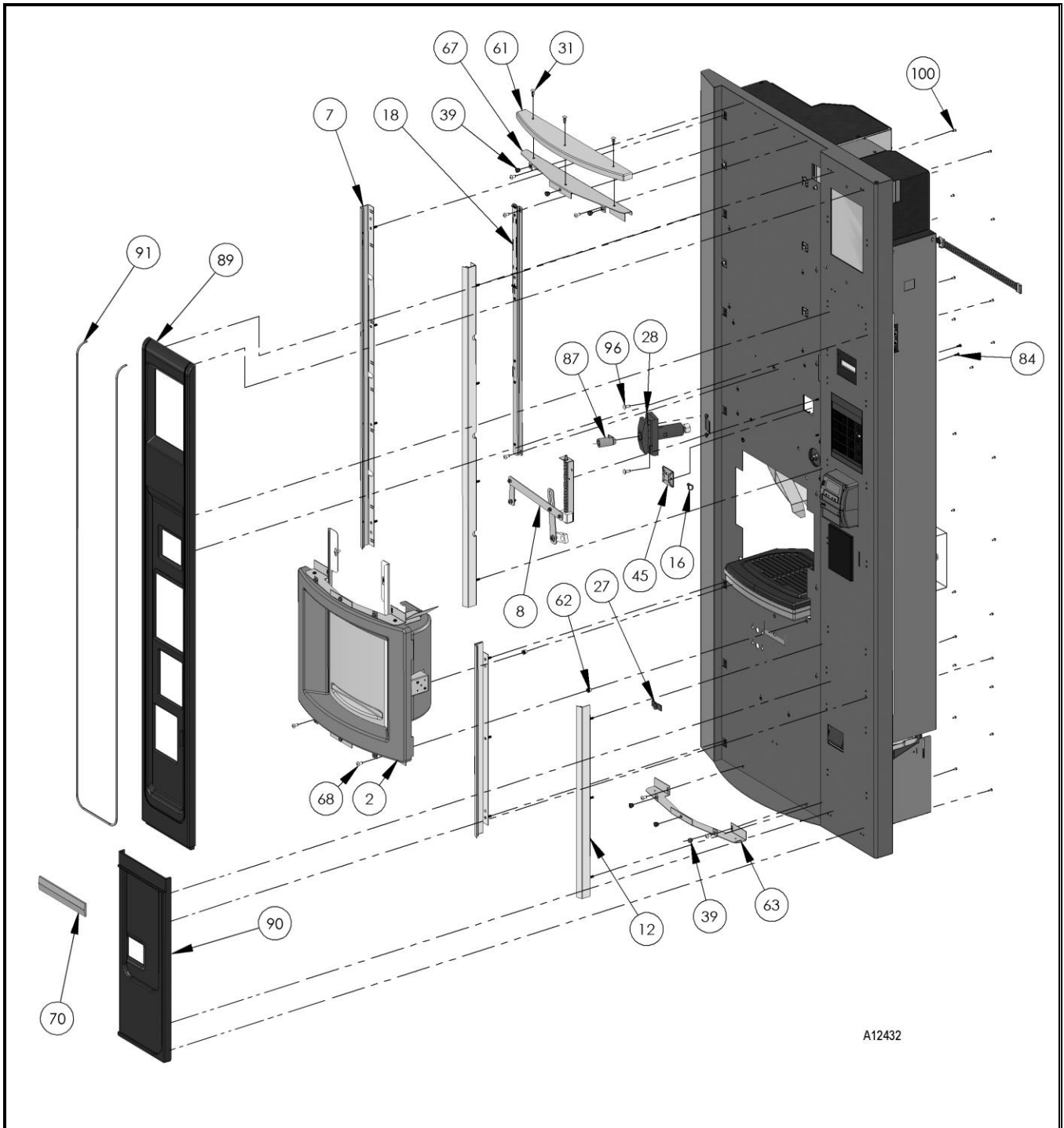
FINAL ASSEMBLY COFFEE MACHINE - FD PARTS LIST

ITEM NO.	PART NUMBER	FD	DESCRIPTION
1	1216845	1	TOP SIGN/COFFEE ES
2	1216947.000330	1	UPPER HINGE STAKE
3	(SEE PAGE # 34)	1	WATER HEATER/BOILER
4	(SEE PAGE #5)	1	DOOR ASSEMBLY ES
5	(SEE PAGE # 23)	1	COMMON CABINET/COFFEE/110
6	1218650.000330	1	BOTTOM HINGE-ADA COFFEE
7	(SEE PAGE # 30)	1	FREEZE DRIED INSTALLATION-ADA
8	4214577	1	BUCKET 3GAL PAIL
9	4220794	1	BOTTOM SIGN FACE
10	4214600.004	1	SELECTION LABEL/ENGLISH/SENGLE CUP
	4214600	1	SELECTION LABEL/ENGLISH/ DUAL CUP
	4214600.005	1	SELECTION LABEL/FRENCH/ SINGLE CUP
	4214600.001	1	SELECTION LABEL/FRENCH/ DUAL CUP
	4214600.006	1	SELECTION LABEL/SPANISH/ SINGLE CUP
	4214600.003	1	SELECTION LABEL/SPANISH/ DUAL CUP
11	8810015	5	5/16-18 FLANGE LOCK NUT
12	1220522	4	TUBULAR LEG WELD W/LEG LEVELER (4219208)
13	8801388	16	5/16-18X3/4 HWH TYPE
14	8810013	5	5/16-18 X 1 CARR. BOLT
15	4224812	2	SNAP-ON LEG COVER

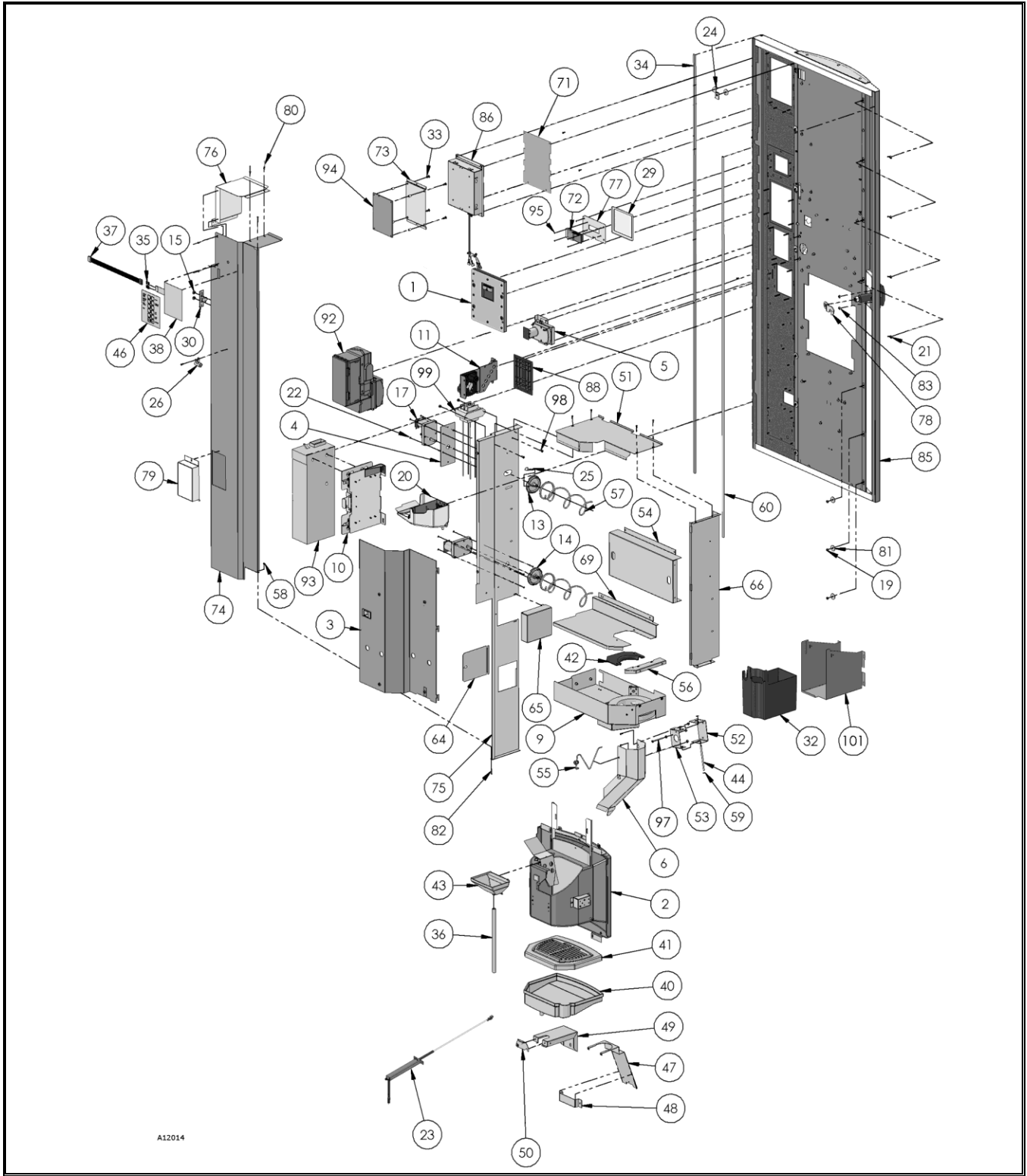
LIST OF PARTS NOT SHOWN

	4214917	1	HBM LABEL SET ENGLISH
	4214917.001	1	HBM LABEL SET FRENCH
	4214917.002	1	HBM LABEL SET SPANISH
	4216016	1	GFCI POWER CORD

DOOR ASSEMBLY



A12432



A12014

DOOR ASSEMBLY PARTS LIST

ITEM NO.	PART NUMBER	FB	FD	DESCRIPTION
1	1221149	1	1	KEYPAD ASSEMBLY ES
2	(SEE PAGE # 10)	1	1	CUP HOUSING ASSEMBLY
3	(SEE PAGE # 12)	1	1	CUP COMPARTMENT DOOR ASSEMBLY
4	1216906	1	1	L/H COIL SUPPORT BRACKET STAKE
5	(SEE PAGE #18)	1	1	LIFT DOOR MOTOR ASSEMBLY
6	1217156	1	1	CUP CHUTE RIVET ASSEMBLY
7	1217208.000330	2	2	TOP PICTURE GUIDE WELD
8	1217534	1	1	DOOR LINKAGE ASSEMBLY (SEE PAGE # 14)
9	(SEE PAGE # 16)	1	1	DROP UNIT SUB-ASSEMBLY/70-90
10	1218371	1	1	COIN MECHANISM MOUNT ASSEMBLY (SEE PAGE #20)
11	1218519.001	1	1	COIN RETURN MECHANISM (SEE PAGE #21)
12	1218654.000330	2	2	BOTTOM PICTURE GUIDE WELD
13	4025745	1	1	COUPLING-AUGER
14	4025745.001	1	1	COUPLING-AUGER/DRILLED
15	4030100	4	4	BUSHING-SPACER
16	4033704	13	13	CABLE TIE
17	4034342.002	2	2	24VDC MOTOR-360 DEGREE
18	(SEE PAGE #19)	1	1	LED INSTALLATION ASSEMBLY
19	8800956	40	40	8-32 HEX NUT W/ETW
20	1218361	1	1	COIN CUP ASSEMBLY
21	4050514	4	4	8-32 WING NUT
22	4050517	13	13	4-40 HEX NUT, STYLE 2
23	1217730.400	1	1	FRONT BUCKET SENSOR ASSEMBLY
24	4050750.000	1	1	1/2" CONDUIT CLAMP
25	4050773.000	2	2	#17 HITCH PIN "OPEN"
26	4060118	1	1	1 1/4" CLIP
27	4060130	12	12	PRESS CLIP-1/4"
28	4060694.001	1	1	FLUSH HANDLE LOCK-BLACK
29	4226610.002	1	1	DISPLAY LENS/BLUE
30	4205002	1	1	INNER DOOR LATCH
31	4205329	3	3	ARROW CLIP
32	4227650	1	1	COIN BOX/LARGE
33	4206879	4	4	BOARD STANDOFF-3/8"
34	4211555.001	5.5FT	5.5FT	BEVELED FOAM GASKET 1/2
35	4214414	2	2	HEADER 8-WAY/CONNECTOER
36	4214451.002	1	1	DRIP TRAY TUBE
37	4214459	1	1	INTERNAL KEYPAD LOOM
38	4214492	1	1	KEYPAD CIRCUIT ONLY V/P
39	4214496	8	8	RUBBER BUMPER
40	4214517	1	1	BASE DRIP TRAY
41	4214518	1	1	DRIP TRAY GRILL
42	4214519	1	1	CUP GUIDE

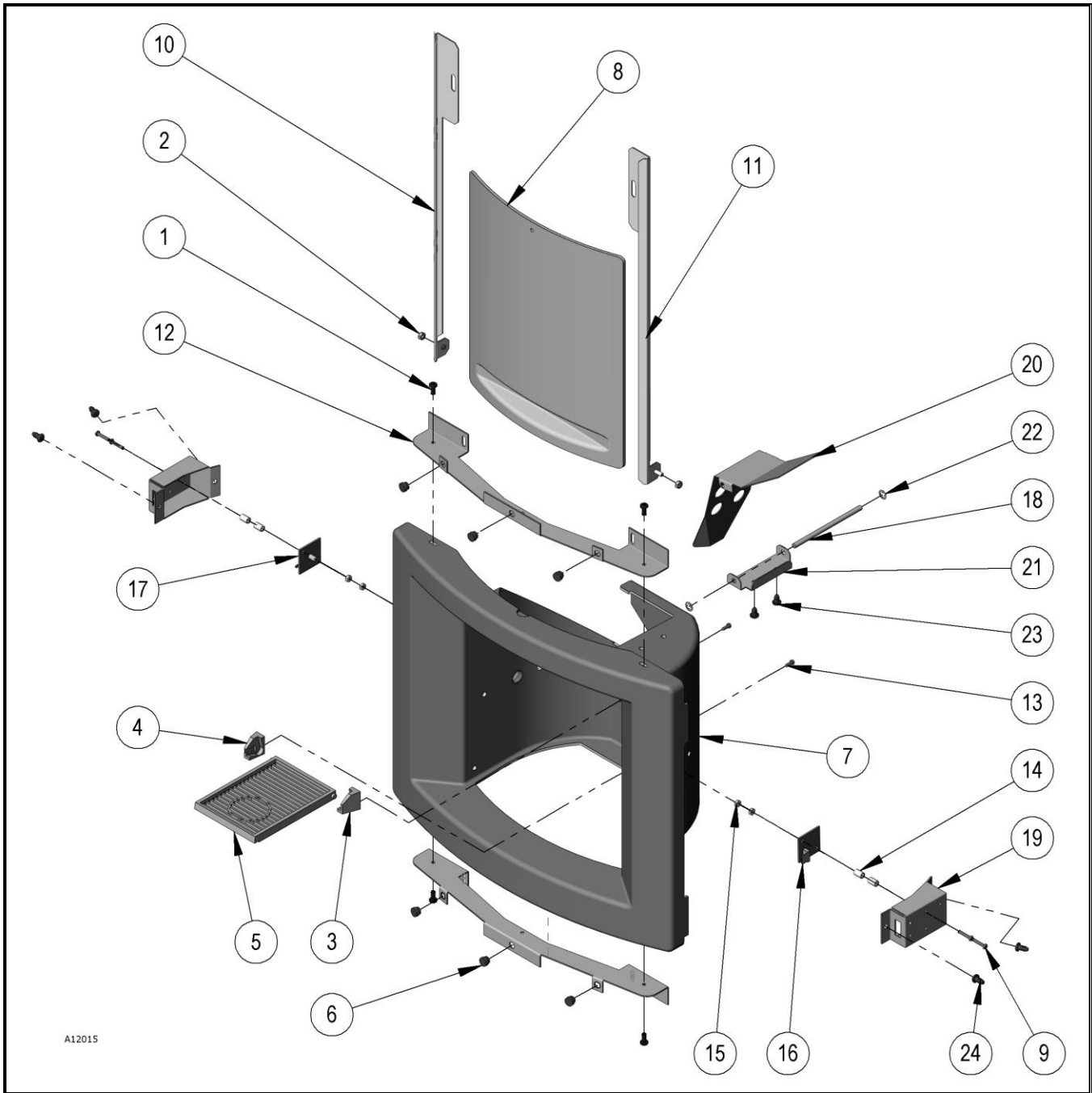
ITEM NO.	PART NUMBER	FB	FD	DESCRIPTION
43	4214541	1	1	TOP DRIP TRAY
44	4214549	1	1	TILT BRACKET PIN
45	4214555	6	6	TIE WRAP BASE SELF-ADHESIVE
46	4214578	1	1	KEYPAD DECAL STUDIO
47	4214614.000330	1	1	DRIP CATCHER
48	4214615.000330	1	1	DRIP CATCHER MOUNT
49	4214629.000340	1	1	DRIP TRAY HOLDER
50	4214630	1	1	DRIP TRAY HOLDER HOOK
51	4214649.000340	1	1	DROP UNIT TOP COVER
52	4214655	1	1	TILT BRACKET MOUNT
53	4214656	1	1	TILT BRACKET
54	4214665.000340	1	1	DOOR STIFFENER
55	4214877	1	1	WIRE CUP GUIDE
56	4214980.000340	1	1	CUP DROP UNIT COVER
57	4214989.000309	2	2	CUP SPIRAL
58	4215208	2	2	#4-40 LOCKNUT-NEOPRENE
59	4215239	2	2	5MM PUSH NUT
60	4215365	11FT	11FT	D GASKET
61	4215497	1	1	SIGN FACE CAP
62	4215383	32	32	10-24 HEX NUT INSERT
63	4215514	1	1	CAP MOUNT
64	4215628.000340	1	1	SENSOR COVER
65	4215630.000340	1	1	VEND DOOR MOTOR COVER
66	4215838.000340	1	1	DROP UNIT DOOR SUPPORT
67	4215842	1	1	TOP CAP MOUNT
68	4216080	34	34	10-24X3/8 PHIL PH MS SS
69	4216796.000340	1	1	DROP UNIT TOP PLATE
70	4224754	1	1	AL EXTRUSION TRIM - BEZEL
71	4227499.000330	1	1	POS FILLER
72	4220707	1	1	VF 16 X 2 LINE DISPLAY
73	4220734.000330	1	1	FMCU BOARD MOUNT
74	4220735.000340	1	1	MONETARY DOOR
75	4220736.000340	1	1	MONETARY DOOR SUPPORT
76	4220737.000340	1	1	FMCU BOARD COVER
77	4220748.001330	1	1	COFFEE DISPLAY MOUNT
78	4220798.000950	1	1	CAM LOCK
79	4220829.000340	1	1	COIN RETURN MOTOR COVER
80	4050667.001	6	6	1/8X .125 POP RIVET
81	8330213.001	14	14	#10 FENDER WASHER
82	8800029	2	2	4-40X3/4 PHIL PH MS
83	8800957	2	2	10-24 HEX NUT W/ETW
84	8800763	30	30	8-32X5/16 PHIL PH TYP
85	1221645.000330	1	1	COFFEE DOOR WELD ES

ITEM NO.	PART NUMBER	FB	FD	DESCRIPTION
86	(SEE PAGE #22)	1	1	POP ASSEMBLY (OPTIONAL)
87	4060330	1	1	LOCK CYLINDER W/2 KEYS
88	4224794.002	1	1	PAYMENT BLANK
89	4227449	1	1	STYLE BEZEL ES – TOP
90	4227450	1	1	STYLE BEZEL – BOTTOM
91	4224753	8 FT	8 FT	1/8" MATTE SILVER TRIM
92	OPTIONAL	-	-	BILL VALIDATOR
93	OPTIONAL	-	-	COIN MECHANISM
94	4214454	1	1	CONTROL BOARD EVOKE COFFEE
95	4219335	4	4	2-56 HEX NUT
96	8356103.003	2	2	10-24X1/2 CARR BOLT
97	8800088	1	1	8-32X2 PHIL PH MS
98	4050240	2	2	8-32X3/8 PHIL PH MS
99	4219620	1	1	12VDC 36W POWER SUPPLY
100	4220189	24	24	#4 X 1/4 PHIL PH PTRS

LIST OF PARTS NOT SHOWN

4215135	1	1	DEX HARNESS (EVOKE COFFEE)
4215306	1	1	VEND LIGHT HARNESS
4215321	1	1	BLUE LCD DISPLAY HARNESS
4215612	1	1	CUP STATION HARNESS
4215617	1	1	EXTERNAL KEYPAD HARNESS
4217087	1	1	MAINS LINK (115V)

CUP HOUSING ASSEMBLY



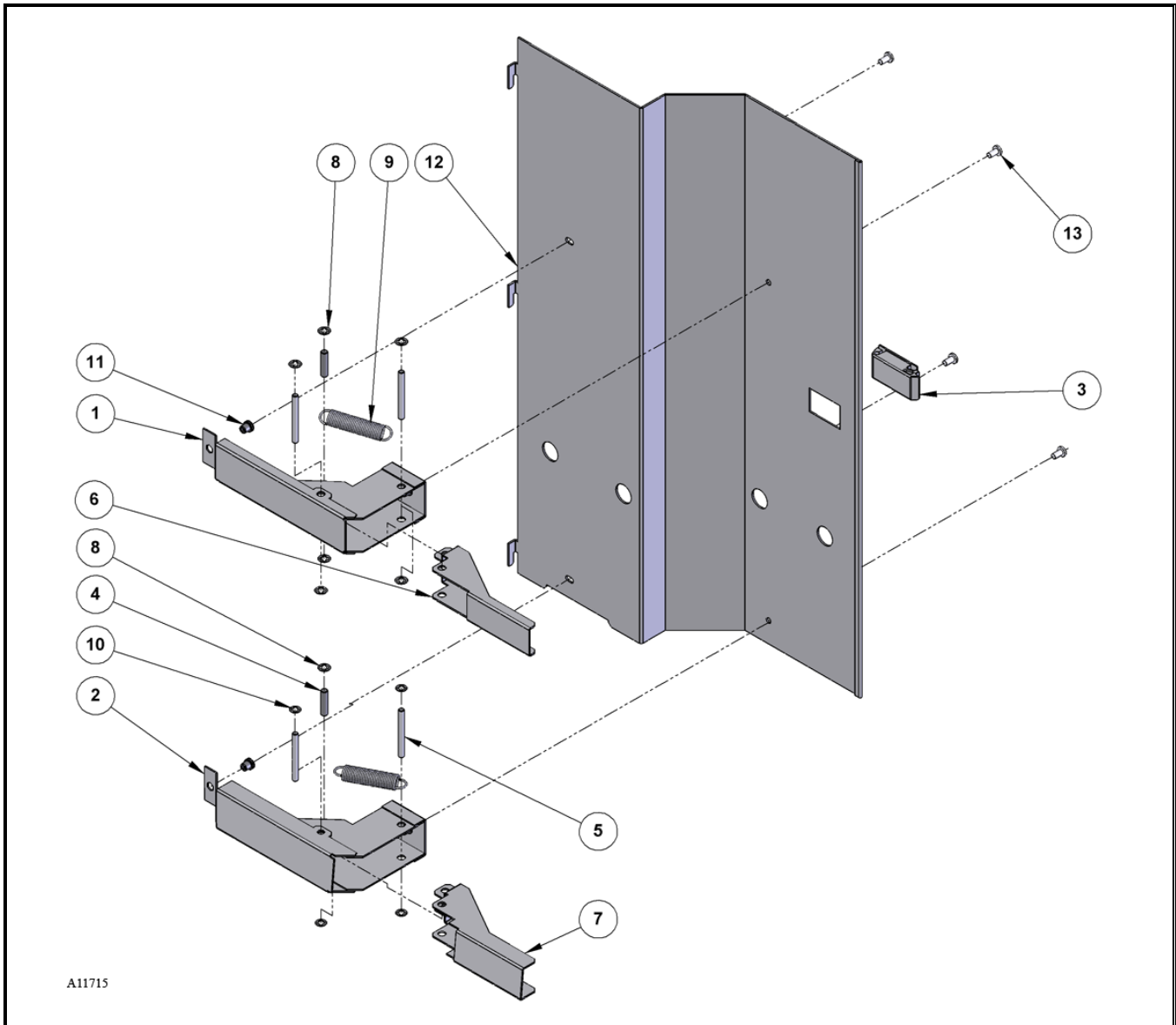
A12015

CUP HOUSING ASSEMBLY PARTS LIST

ITEM NO.	PART NUMBER	FB	FD	DESCRIPTION
1	4050180	4	4	8-18X1/2 PHIL PH TEK
2	4209563	2	2	M4X0.7-HEX-NUT
3	4214432	1	1	CUP STAND BRACKET/RH
4	4214432.001	1	1	CUP STAND BRACKET/LH

ITEM NO.	PART NUMBER	FB	FD	DESCRIPTION
5	4214476	1	1	CUP STAND
6	4214496	6	6	RUBBER BUMPER
7	1218814	1	1	CUP HOUSING W/LENS
8	4214516	1	1	CUP HOUSING DOOR WITTERN
9	8800027	4	4	4-40X5/8 PHIL PH MS
10	4214657	1	1	RIGHT CUP HOUSING DOOR GUID
11	4214781	1	1	LEF CUP HOUSING DOOR GUID
12	4215514	2	2	CAP MOUNT
13	8800466	2	2	4-24X3/8 PHL PH TYPE-AB
14	4206767	4	4	STAND OFF
15	4050517	4	4	4-40 HEX NUT, STYLE 2
16	4214494	1	1	CUP SENSOR - RECEIVER
17	4214495	1	1	CUP SENSOR - SENDER
18	4214549	1	1	TILT BRACKET PIN
19	4214616.000340	2	2	NEW CHROMA SENSOR BRACKET
20	4215197	1	1	CUP DAMPER
21	4215198	1	1	CUP DAMPER MOUNT
22	4215239	2	2	5MM PUSH NUT
23	4215561.036	2	2	SNAP RIVET/BLACK 3/16
24	4215561.039	4	4	SNAP RIVET/BLACK 3/16

CUP COMPARTMENT DOOR ASSEMBLY



CUP COMPARTMENT DOOR ASSEMBLY PARTS LIST

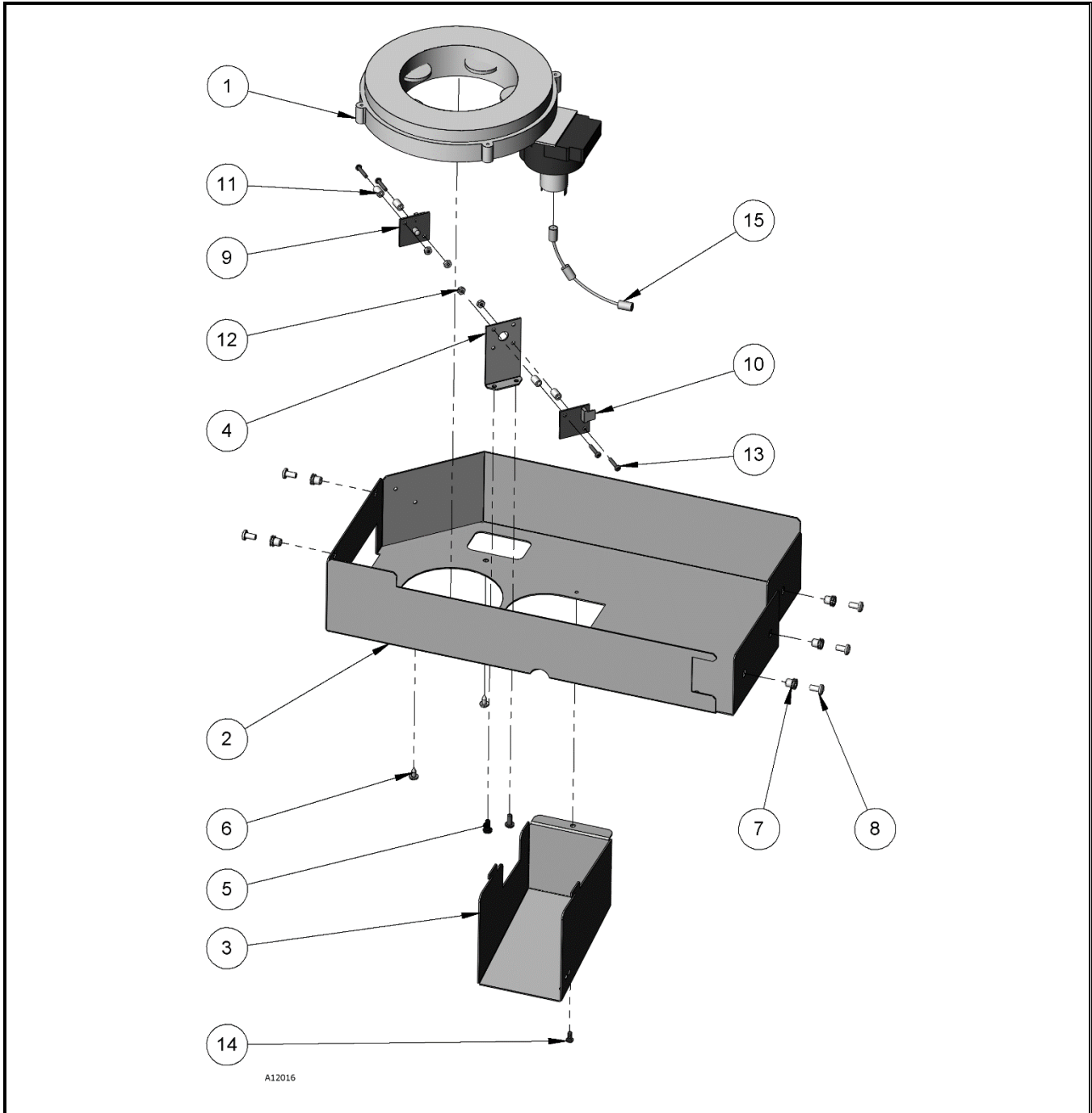
ITEM NO.	PART NUMBER	FB	FD	DESCRIPTION
1	1216803	1	1	TOP CUP PUSHER WELD
2	1216805	1	1	BOTTOM CUP PUSHER WELD
3	4213712	1	1	SLAM LATCH
4	4214546	2	2	DROP UNIT ARM PIN
5	4214548	4	4	CUP PUSHER PIN
6	4214645	1	1	TOP CUP PUSHER
7	4214648	1	1	BOTTOM CUP PUSHER
8	4214878	4	4	6MM PUSH NUT
9	4214907	2	2	CUP COMPARTMENT DOOR SPRING

ITEM NO.	PART NUMBER	FB	FD	DESCRIPTION
10	4215239	8	8	5MM PUSH NUT
11	4215383	4	4	10-24 HEX NUT INSERT
12	4215437.000340	1	1	DROP UNIT DOOR
13	4216080	4	4	10-24X3/8 PHIL PH MS SS

DOOR LINKAGE ASSEMBLY PARTS LIST

ITEM NO.	PART NUMBER	FB	FD	DESCRIPTION
1	4030100	3	3	SPACER BUSHING
2	4214530	1	1	AUTO DOOR ARM MOUNT
3	4214533	1	1	AUTO DOOR CRANK
4	4214539	1	1	WASHER NYLON .50D X .16ID X .072
5	4214547	1	1	AUTO DOOR ARM BRACKET PIN
6	4214908	1	1	SPRING, DOOR LIFT
7	4215239	2	2	5MM RETAINER
8	4217154	6	6	#6 HEX NUT W/NYLON WASHER
9	8801011	3	3	#8 FLAT WASHER
10	4216387	1	1	AUTO DOOR LINK
11	4216389	1	1	AUTO DOOR SLIDE LINK
12	4216388	1	1	AUTO DOOR ARM
13	4214663	1	1	LIFT DOOR SPRING BRACKET
14	4050113	2	2	6-32X1/2" PHIL PHMS ZP
15	4217152	1	1	6-32X5/8" PHIL PHMS ZP
16	4217153	2	2	6-32X3/4" PHIL PHMS ZP

DROP UNIT SUB-ASSEMBLY

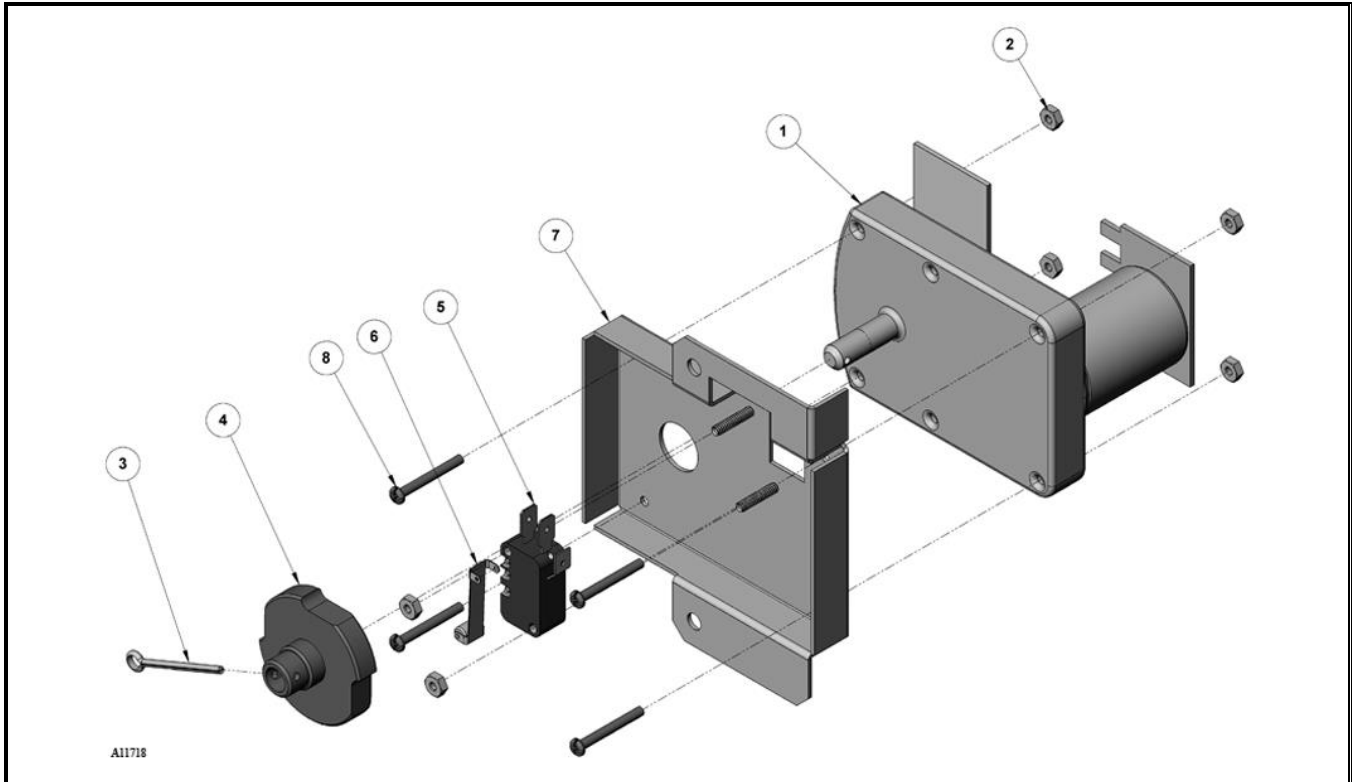


DROP UNIT SUB-ASSEMBLY PARTS LIST

ITEM NO.	PART NUMBER	FB	FD	DESCRIPTION
1	1214423.401	1	1	CUP RING ASSY (GREEN CAM - UNIVERSAL)
2	4216795.000340	1	1	DROP UNIT BOX
3	4216550.000340	1	1	DROP UNIT MOTOR COVER

ITEM NO.	PART NUMBER	FB	FD	DESCRIPTION
4	4214653	1	1	SENSOR MOUNT
5	4050239	2	2	8-32 X 3/8 PHIL PH TYP-T
6	4216801	2	2	#8 PHIL PAN HEAD PLASTITE SCREW
7	4215383	5	5	10-24 HEX NUT INSERT
8	4216080	5	5	10-24 X 3/8 PHIL PH MS SS
9	4214495	1	1	CUP SENSOR – SENDER
10	4214494	1	1	CUP SENSOR – RECEIVER
11	4206767	4	4	STAND OFF
12	4050517	4	4	4-40 HEX NUT, STYLE 2
13	8800027	4	4	4-40 X 5/8 PHIL PH MS
14	8800763	4	4	8-32 X 5/8 PHIL TYP 'T' SCREW
15	4218195	1	1	PTC FUSE LINK
LIST OF PARTS NOT SHOWN				
16	4215611	1	1	CUP DROP HARNESS

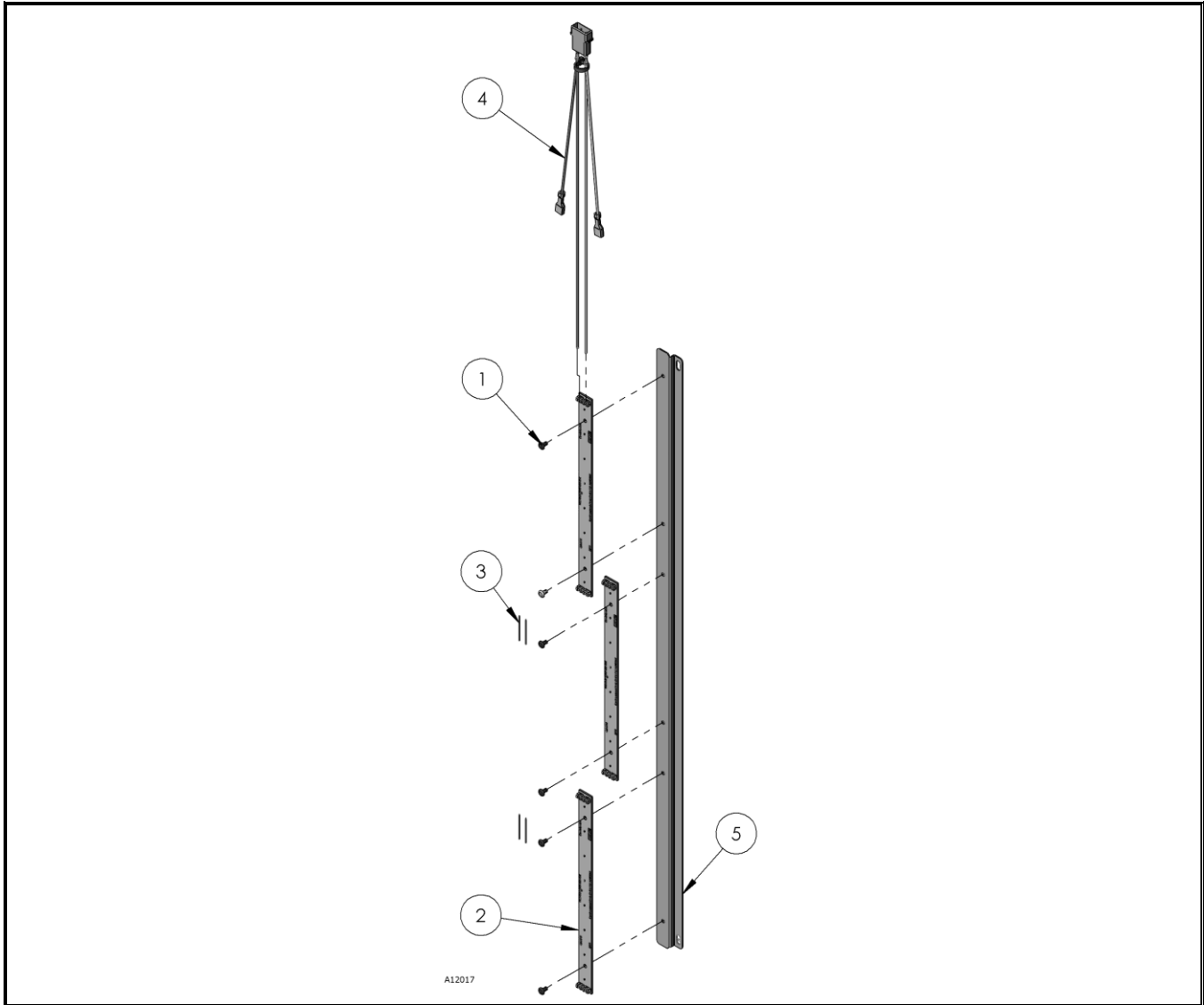
LIFT DOOR MOTOR ASSEMBLY



LIFT DOOR MOTOR ASSEMBLY PARTS LIST

ITEM NO.	PART NUMBER	FB	FD	DESCRIPTION
1	4216549	1	1	AUTO DOOR MOTOR
2	4050517	6	6	4-40 HEX NUT, STYLE 2
3	4203723	1	1	COTTER PIN 3/32 X 1 1/8
4	4214531	1	1	MICRO SWITCH CAM
5	4214553	1	1	MICRO SWITCH - BREWER
6	4214561	1	1	ACTUATOR ARM LONG BREWER
7	4214664	1	1	AUTO DOOR MOTOR MOUNT STAKE
8	8800031	4	4	4-40 X 1 PHIL PH MS

LED INSTALLATION ASSEMBLY



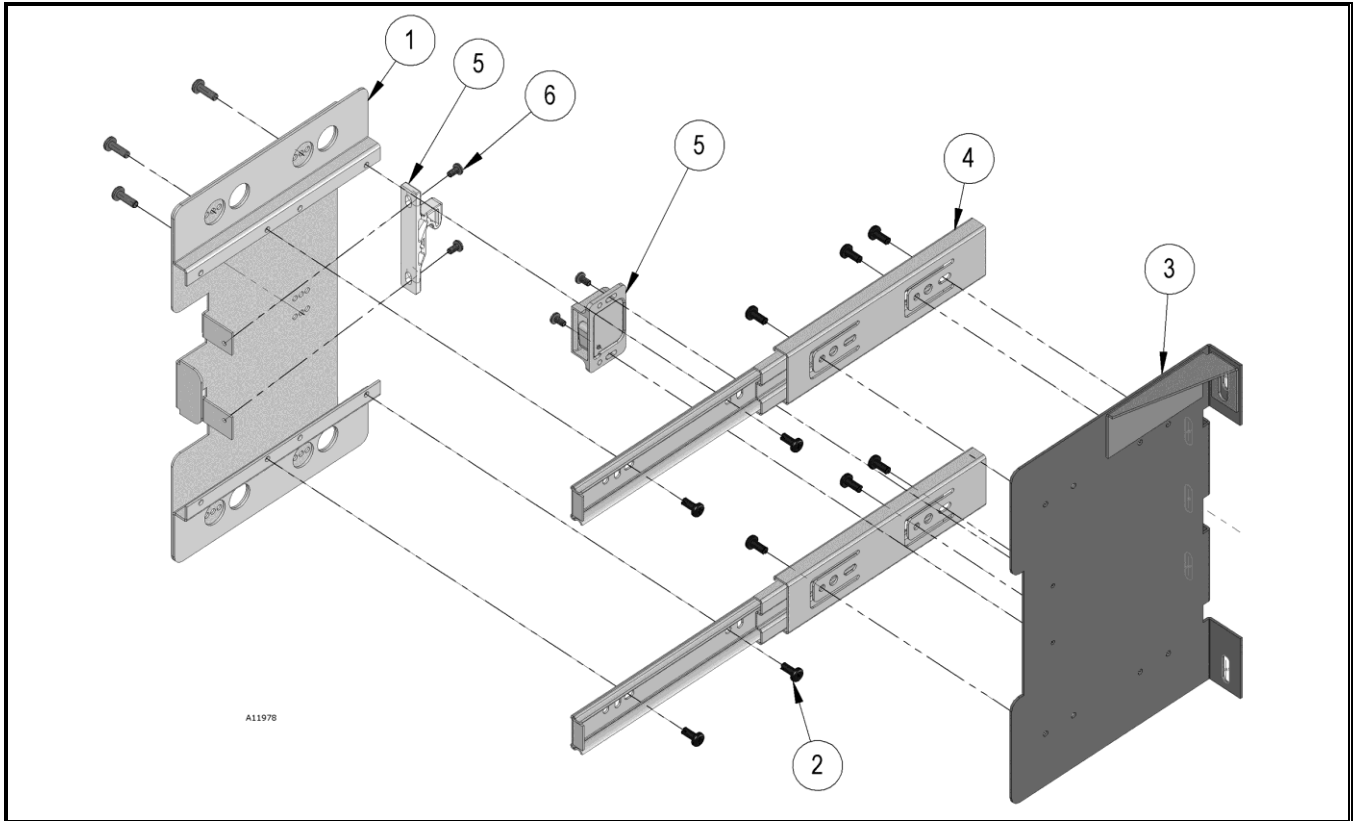
LED INSTALLATION ASSEMBLY PARTS LIST

ITEM NO.	PART NUMBER	FB	FD	DESCRIPTION
1	4215561.015	6	6	SNAP RIVET/BLACK 1/8
2	4216544	3	3	LED LIGHT ENGINE
3	4216693.007	4	4	20 GA WIRE/BLACK-1"
4	4217088	1	1	SECONDARY LINK (24V)
5	4217134.000330	1	1	LED MOUNT BRACKET-COFFEE

LIST OF PARTS NOT SHOWN

1	4219620	1	1	12VDC 36W POWER SUPPLY
---	---------	---	---	------------------------

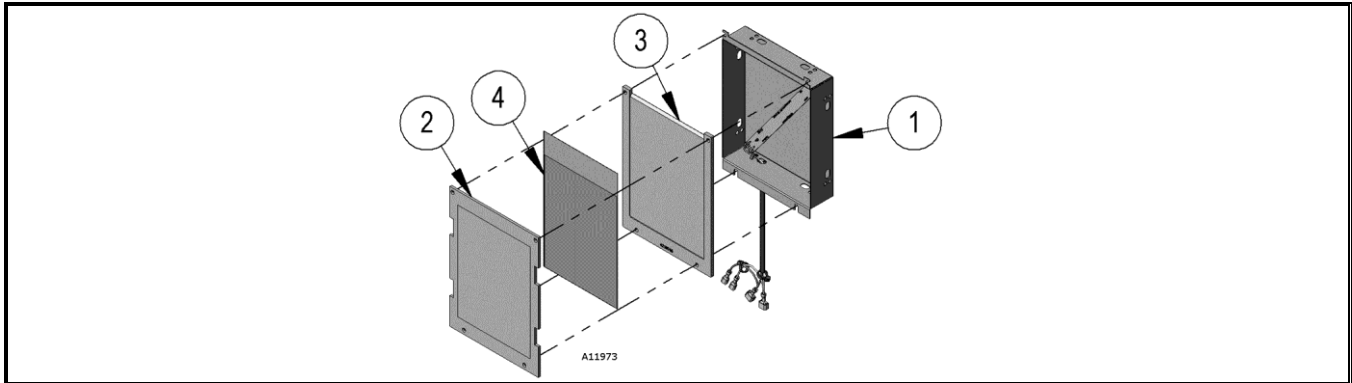
COIN MECHANISM MOUNT ASSEMBLY



COIN MECHANISM MOUNT ASSEMBLY PARTS LIST

ITEM NO.	PART NUMBER	FB	FD	DESCRIPTION
1	1218336.000330	1	1	COIN MECH MOUNT WELD
2	4050239	10	10	8-32X3/8 PHL PH TY-T
3	1218548.000330	1	1	COIN MECH MOUNT WELD
4	4219619	2	2	6" ROLLER SLIDE
5	4219878	1	1	GRABBER LATCH
6	7320289.000	4	4	6-32X1/4 PHL PH TAPT

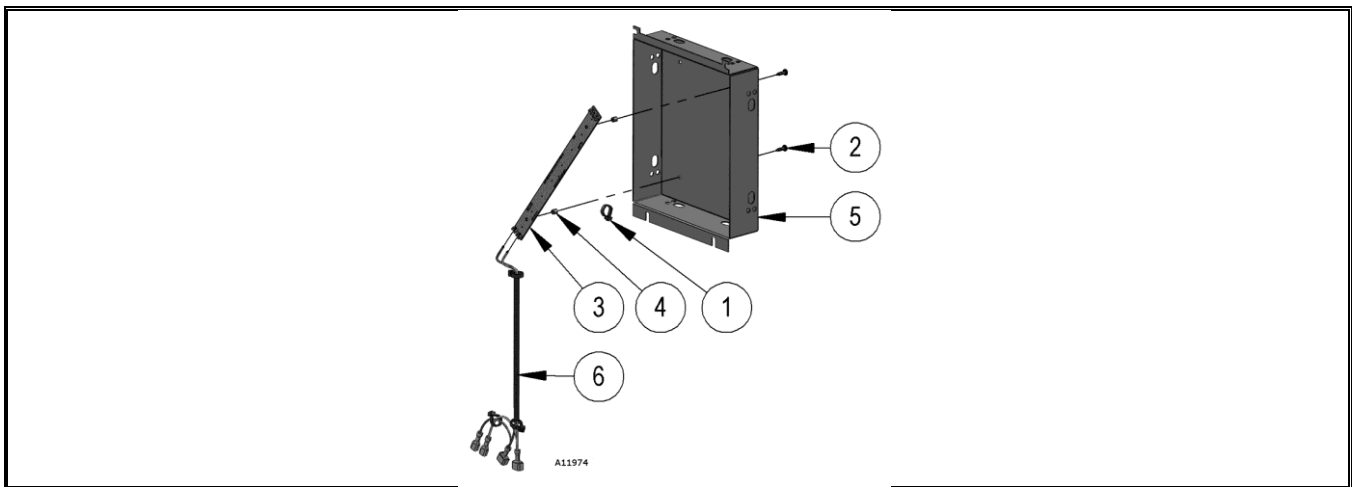
POINT OF PURCHASE ASSEMBLY



POINT OF PURCHASE ASSEMBLY PARTS LIST

ITEM NO.	PART NUMBER	FB	FD	DESCRIPTION
1	1218501	1	1	POP LED ASSEMBLY SEE BELOW
2	4219728	1	1	ACRYLIC DISPLAY FRONT
3	4219815	1	1	PRINT HOLDER
4	4219832.005	1	1	COFFEE – DISPLAY PRINT

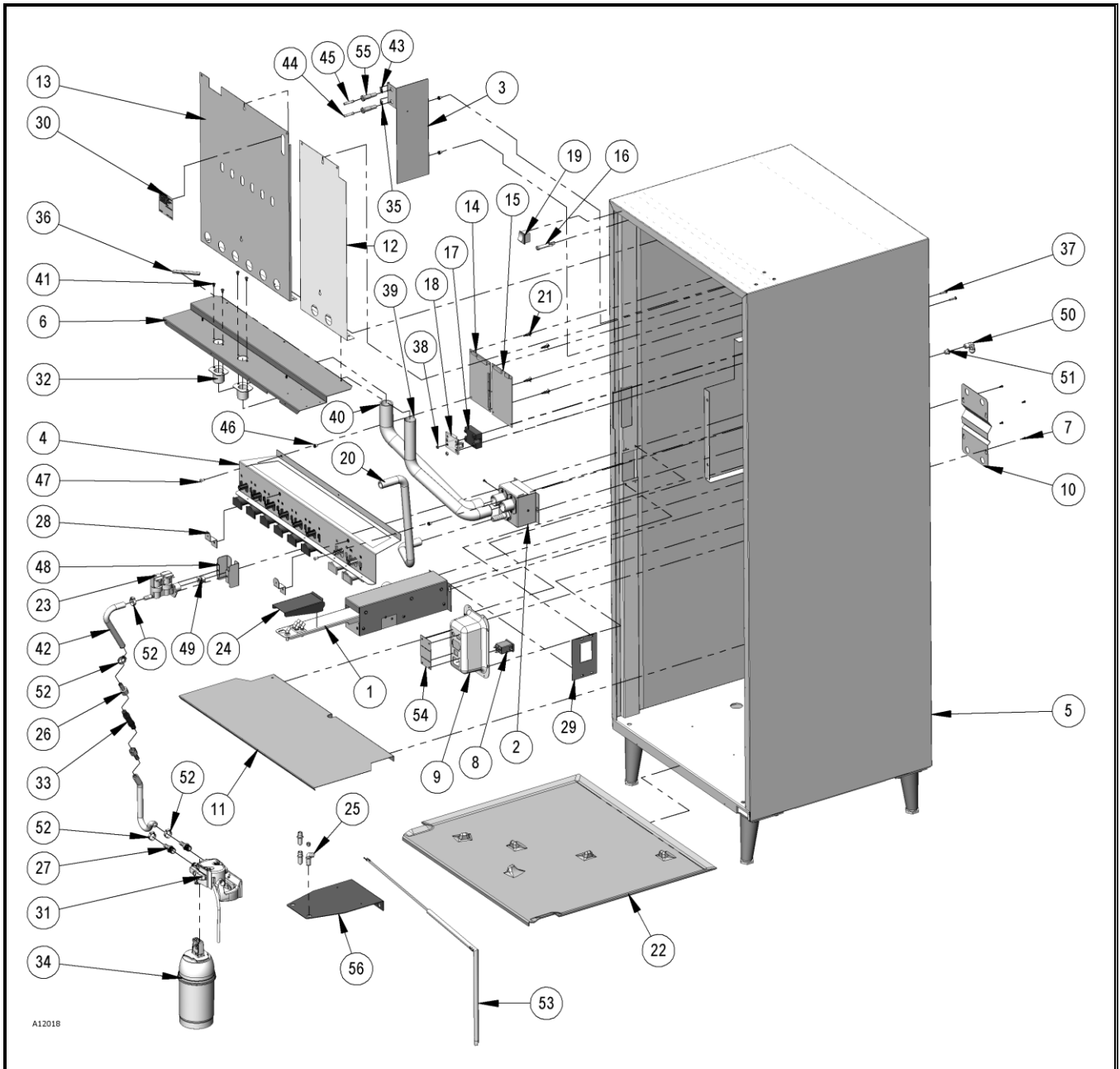
POINT OF PURCHASE LED ASSEMBLY



POINT OF PURCHASE LED ASSEMBLY PARTS LIST

ITEM NO.	PART NUMBER	FB	FD	DESCRIPTION
1	4033704	1	1	CABLE TIE
2	4215561.019	2	2	SNAP RIVET/BLACK 1/8
3	4216544	1	1	LED LIGHT ENGINE
4	4216676	2	2	NYLON SPACER 1/8 X 3/16
5	4219727.000306	1	1	LED MOUNTING COVER
6	4220188	1	1	LED POWER HARNESS

CABINET ASSEMBLY



CABINET ASSEMBLY PARTS LIST

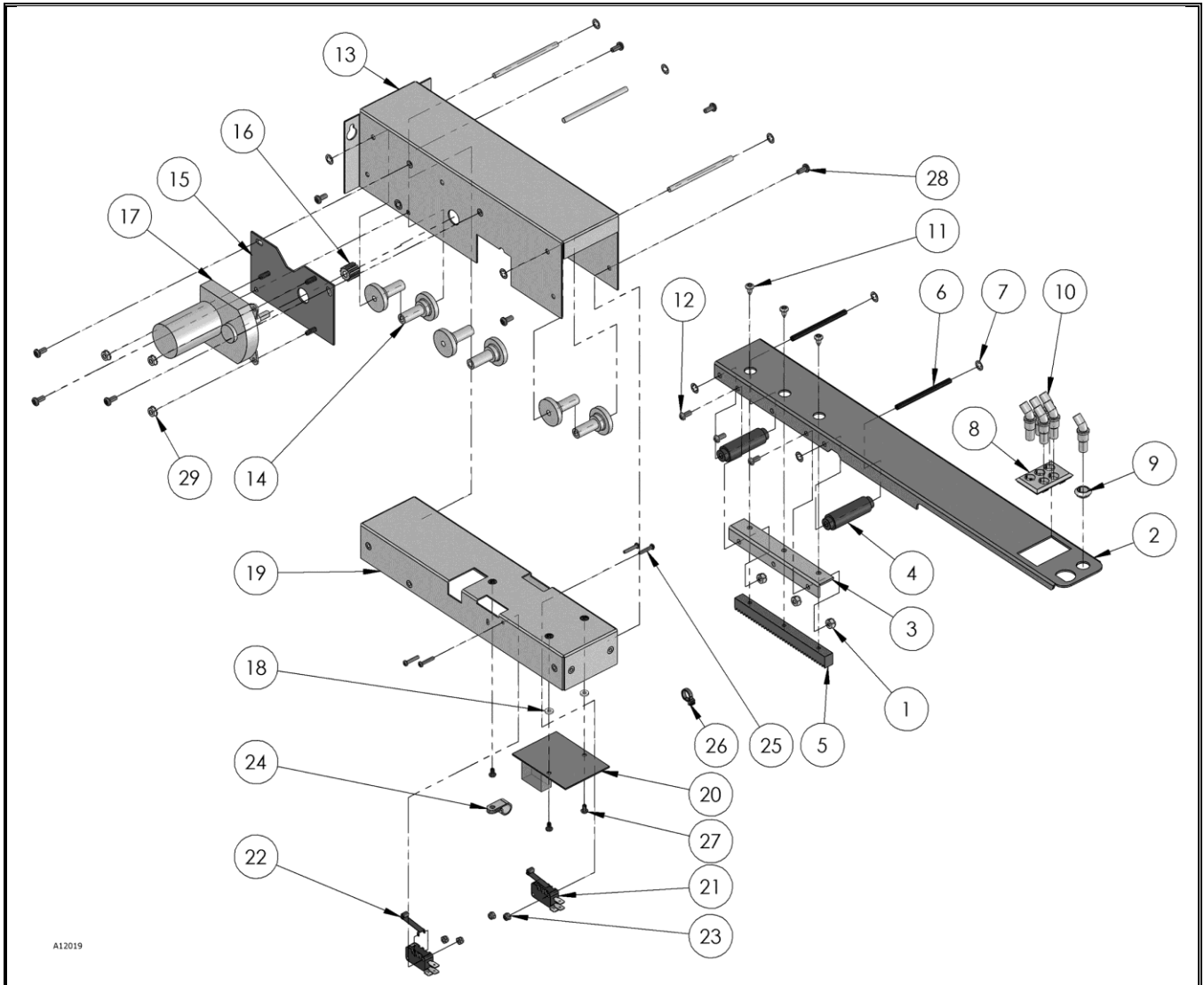
ITEM NO.	PART NUMBER	FB	FD	DESCRIPTION
1	1216723	1	1	DISPENSE HEAD ASSEMBLY (SEE PAGE # 26)
2	(SEE PAGE # 36)	1	1	EXHAUST FAN HOUSING ASSEMBLY
3	4214330	1	1	FUSER PANEL
4	(SEE PAGE # 37)	1	1	INGREDIENT MOTOR PANEL ASSEMBLY
5	1218647	1	1	CABINET WELD-ADA COFFEE
6	1216933.000340	1	1	CANISTER SHELF STAKE ASSEMBLY
	4217866.001340	-	-	CANISTER SHELF W/STUDS
7	8800763	23	23	8-32X5/16 PHIL PH TYP
8	4212490.001	1	1	RFI FILTER IEC SOCKET 10A
9	4216393.000330	1	1	CONNECTION BOX
10	4213448.000330	1	1	CONNECTION BOX COVER FAWN
11	4214242.000340	1	1	WHIPPER BASE PLATE
12	4214323.000340	1	1	RIGHT HAND BOILER COVER
13	4214324.000340	1	1	LEFT HAND BOILER COVER
14	4214336	1	1	PSU DC 100 WATT STU/VIC
15	4214335	1	1	DC RIO BOARD
16	4214337	1	1	BOILER NEON VIC/PACAMBER
17	4214339	1	1	SS RELAY 240V
18	4214340	1	1	SSR TERMINAL COVER
19	4214474	1	1	SWITCH ROCKER ON/OFF VIC
20	4214488	1.42FT	1.42FT	BLACK HOSE 16mm I/D
21	4214502	8	8	BOARD SUPPORT LONG+DEEP
22	4220741	1	1	ADA CABINET FLOOR TRAY
23	4214540	1	1	24DC INLET VALVE 2L/MIN
24	4214544	1	1	DISP ARM SHROUD STUDIO
25	4214945	1	1	ELBOW KIT
26	4215205	2	2	FIP ADAPTER 3/8 X 3/8
27	4215233	2	2	MIP ADAPTER 3/8 X 3/8
28	4215404	2	2	BOILER PLATE MOUNT
29	4215405.000950	1	1	LATCH PLATE
30	4215671	1	1	FUSE WARNING LABEL
31	4217657	1	1	MAVEA PURITY C HEAD & BRACKET
32	8346771	2	2	HOSE OUTLET-LONG
33	8382240	1	1	VALVE-DOUBLE CHECK
34	4217655	1	1	PURITY C-150 FILTER CARTRIDGE
35	4214412	1	1	FUSE LABEL T5A
36	4025735.900	.33FT	.33FT	TRIM-LOK BLACK
37	4050262	2	2	8-32X3/4 PHIL PH MS
38	8800956	2	2	8-32 HEX NUT W/ETW
39	8342969.5	1	1	TUBE-FLEX 18 IN
40	8342969.6	1	1	TUBE-FLEX 20 IN
41	4215561.037	4	4	SNAP RIVET/BLACK 3/16

ITEM NO.	PART NUMBER	FB	FD	DESCRIPTION
42	4215517	1.33FT	1.33FT	3/8 ID X 5/8 OD SILICON
43	4214413	1	1	FUSE LABEL F15A
44	4214490	1	1	FUSE 5A 415V (T) 32mm
45	4214498	1	1	FUSE 15A 250V 32mm
46	4215383	23	23	10-24 HEX NUT INSERT
47	4216080	25	25	10-24X3/8 PHIL PH MS SS
48	4216912.000330	1	1	WATER INLET VALVE BRACKET
49	4216913	1	1	WATER INLET ADAPTOR KIT
50	4216914	1	1	1/4 MPT X 3/8 FLARE ELBOW
51	4217248	1	1	TAPERED PLUG - 1/4 NPT
52	4219528	5	5	CLAMP - 18.5 STEPLESS
53	4215298.400	1	-	CAB WASTE BASKET SENSOR
54	4217384	1	1	CONNECTION BOX FILLER
55	4214552	2	2	16 AMP FUSEHOLDER BUSSMAN
56	4220744.000330	1	1	COFFEE SENSOR/HOSE MOUNT

LIST OF PARTS NOT SHOWN

4216081.001	1	1	MAIN HARNESS COFFEE
4217259	1	1	FUSE 3.15 A (T) – POWER SUPPLY BOARD
4217260	1	1	FUSE 4 A (T) – RIO BOARD
4223128	1	1	¼" NPT INLET ADAPTOR

DISPENSE HEAD ASSEMBLY



A12019

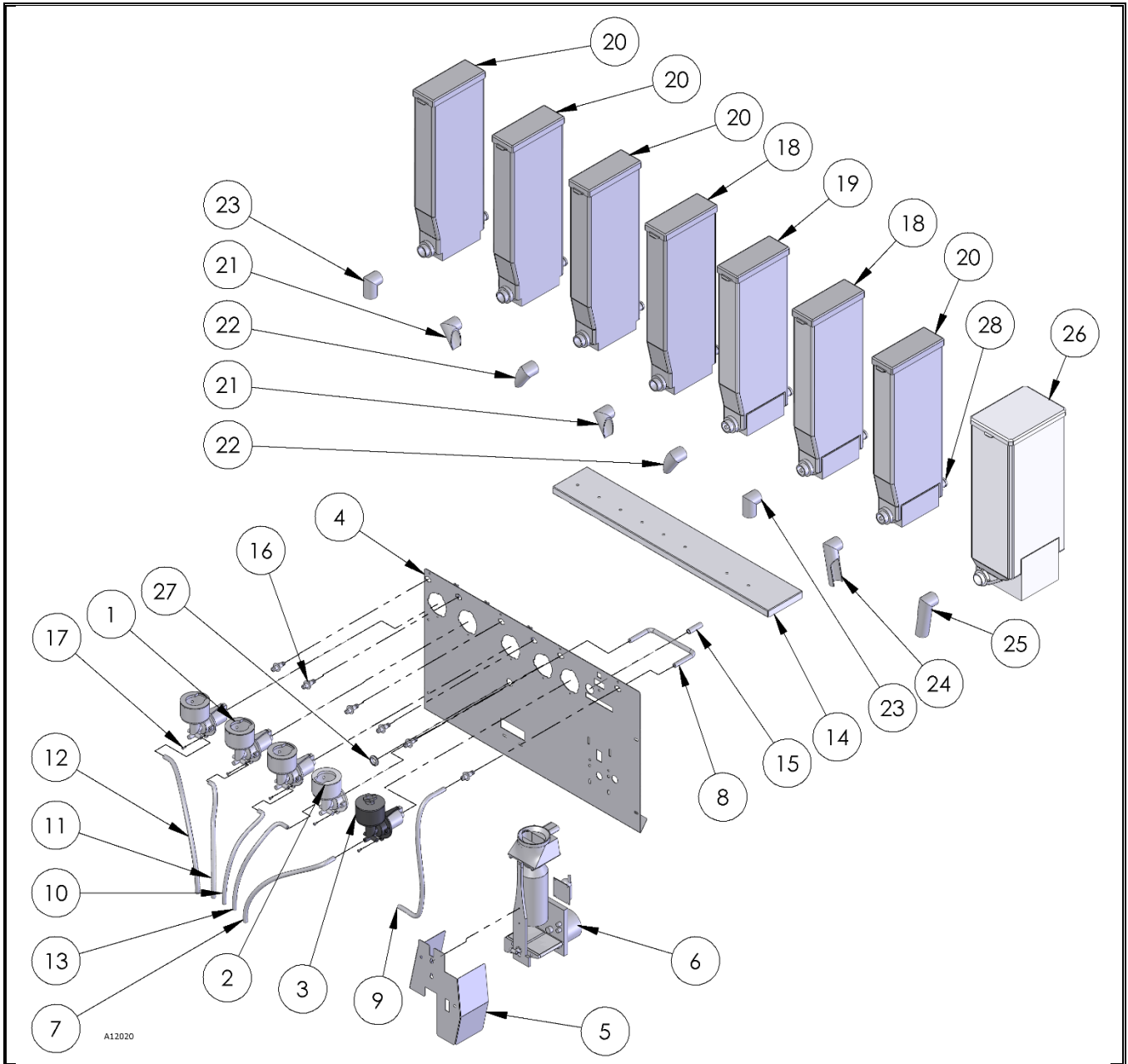
DISPENSE HEAD ASSEMBLY PART LIST

ITEM NO.	PART NUMBER	FB	FD	DESCRIPTION
	1216723	1	1	DISPENSE HEAD ASSEMBLY (COMPLETE)
1	4210384	3+3	6	8-32 NYLOK NUT
2	4214328	1	1	HOSE ARM
3	4214329	1	1	RACK MOUNT
4	4214483	2	2	DISPENSE HEAD ROLLER
5	4214485	1	1	DISPENSE HEAD RACK
6	4214542	2	2	ARM ROLLER BAR
7	4215239	4+6	10	5MM PUSH NUT
8	4216427	1	1	RECTANGLE NOZZLE HOLDER
9	4216428	1	1	ROUND NOZZLE HOLDER
10	4216429	6	6	ANGLED NOZZLE - GRAY
11	4216801	3	3	#8 PHIL PAN HEAD PLASTITE
12	8801193	3+2	5	8-32X3/8 PHL RH MS-SS
13	4214325	1	1	MOTOR DRIVE COVER
14	4214484	6	6	DISPENSE COVER ROLLER
15	4214327.001	1	1	MOTOR MOUNT PLATE
16	4214512	1	1	GEAR MOTOR PINION
17	4214560	1	1	MOTOR/GEARBOX 24V 100 RPM
18	4200002	2	2	#6 NYLON WASHER
19	4214326	1	1	DISPENSE ARM PCB MOUNT
20	4214455	1	1	DISPENSE HEAD PCB
21	4214553	2	2	MICRO SWITCH - BREWER IND
22	4214561	2	2	ACTUATOR ARM LONG BREWER
23	4215208	4	4	#4-40 LOCKNUT-NEOPRENE
24	8324099.4	1	1	CLAMP - 3/8 X 3/8
25	8800027	4	4	4-40X5/8 PHIL PH MS
26	4033704	2	2	CABLE TIE
27	7320289.000	3	3	6-32 x 1/4 PHL PH TAPT
28	4050240	8	8	8-32 x .375 PHIL PH MS
29	8800956	3	3	8-32 HEX NUT W/ETW

LIST OF PARTS NOT SHOWN

30	4217214	1	1	DISPENSE ARM MOTOR HARNESS
31	4217215	1	1	DISPENSE ARM HARNESS

FRESH BREW INSTALLATION ASSEMBLY



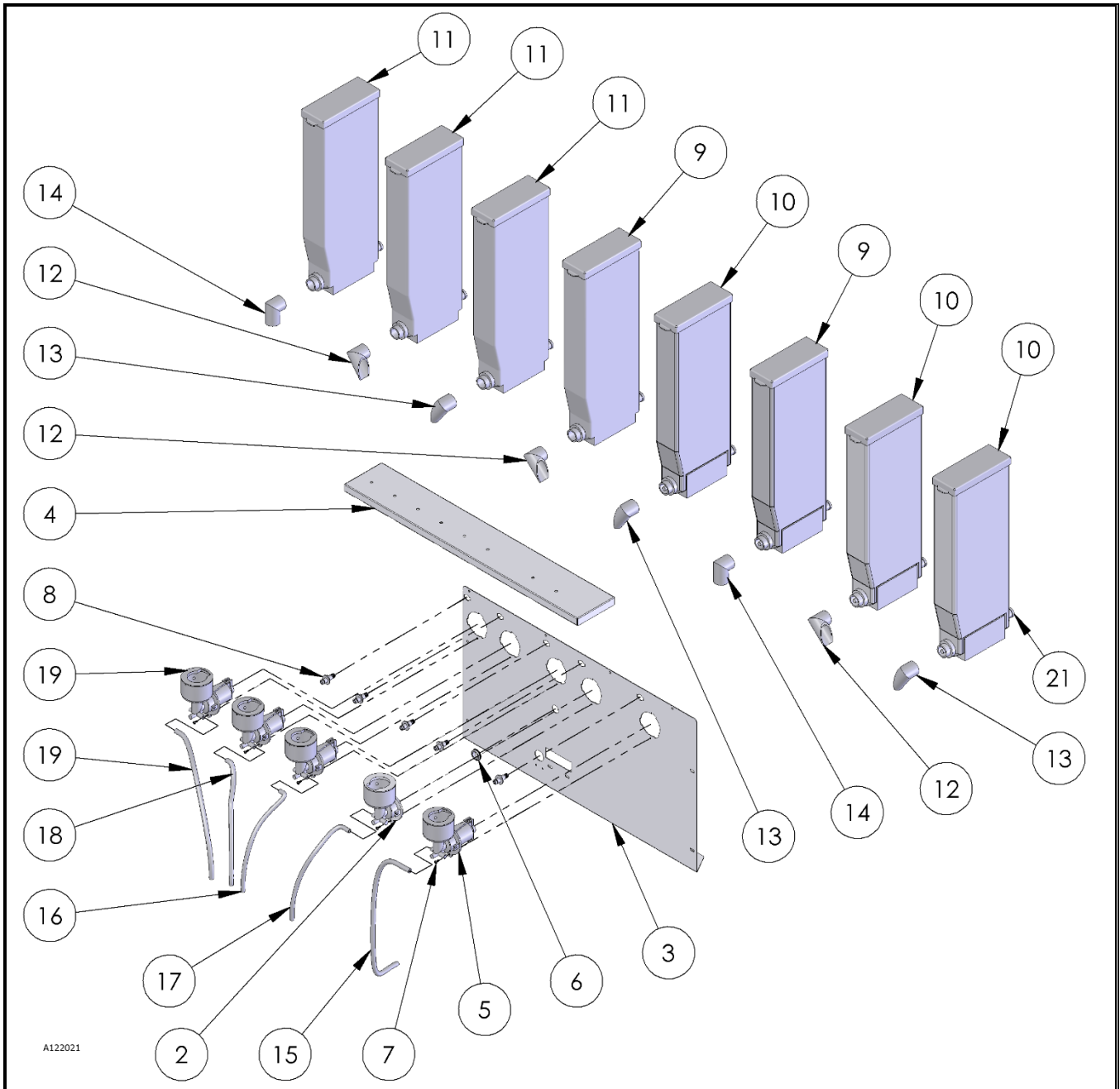
FRESH BREW INSTALLATION ASSEMBLY PART LIST

ITEM NO.	PART NUMBER	FB	DESCRIPTION
1	(SEE PAGE #32)	3	GRAY WHIPPER MOTOR ASSEMBLY
2	(SEE PAGE #33)	1	BEIGE WHIPPER MOTOR ASSEMBLY
3	(SEE PAGE #32)	1	BROWN WHIPPER MOTOR ASSEMBLY
4	4220742.000340	1	WHIPPER BREWER MOUNTING BRACKET
5	4220745	1	COFFEE CHUTE - ADA
6	(SEE PAGE #38)	1	COFFEE BREWER 12oz
7	4214442.004	1	COFFEE BOWL TO ARM 15"
8	4214442.005	1	COFFEE PIPE TO PIPE 12"
9	4214442.006	1	COFFEE BREWER TO PIPE 13"
10	4214442.007	1	M&S BOWL TO ARM 13 1/2"
11	4214442.008	1	PRE-MIX BOWL TO ARM 14 3/4"
12	4214442.009	1	CHOCOLATE BOWL TO ARM 16"
13	4214442.010	1	TEA BOWL TO ARM 13"
14	4215448	1	EXTRACT DUCT/FRESH BREW
15	4214944	1	BREWER SPOUT
16	4214378	6	WATER INLET ADAPTOR/GRAY
17	8800763	5	8-32 X 5/16" PHIL PH TYP -T
18	4214368.001	2	CANISTER 64mm WIRE W/AGITATOR
19	4214368	1	CANISTER 64mm WIRE AUGER
20	4214369	4	CANISTER 64mm PLASTIC AUGER
21	4214371	2	R/H CHUTE DS091
22	4214370	2	L/H CHUTE EXTENDED
23	4214372	2	CENTRAL CHUTE(45 X 53 SLOTTED)
24	4214576	1	R/H CHUTE(45 X 110 SLOTTED)
25	4214581	1	L/H CHUTE(45 X 110 SLOTTED)
26	4214585	1	COFFEE CANISTER LH – FB 18"
27	4214451	1	GROMMET 20 mm
28	4219071	8	DRIVE COUPLING

LIST OF PARTS NOT SHOWN

29	4217745	1	HARNESS – WHIPPER MOTOR
----	---------	---	-------------------------

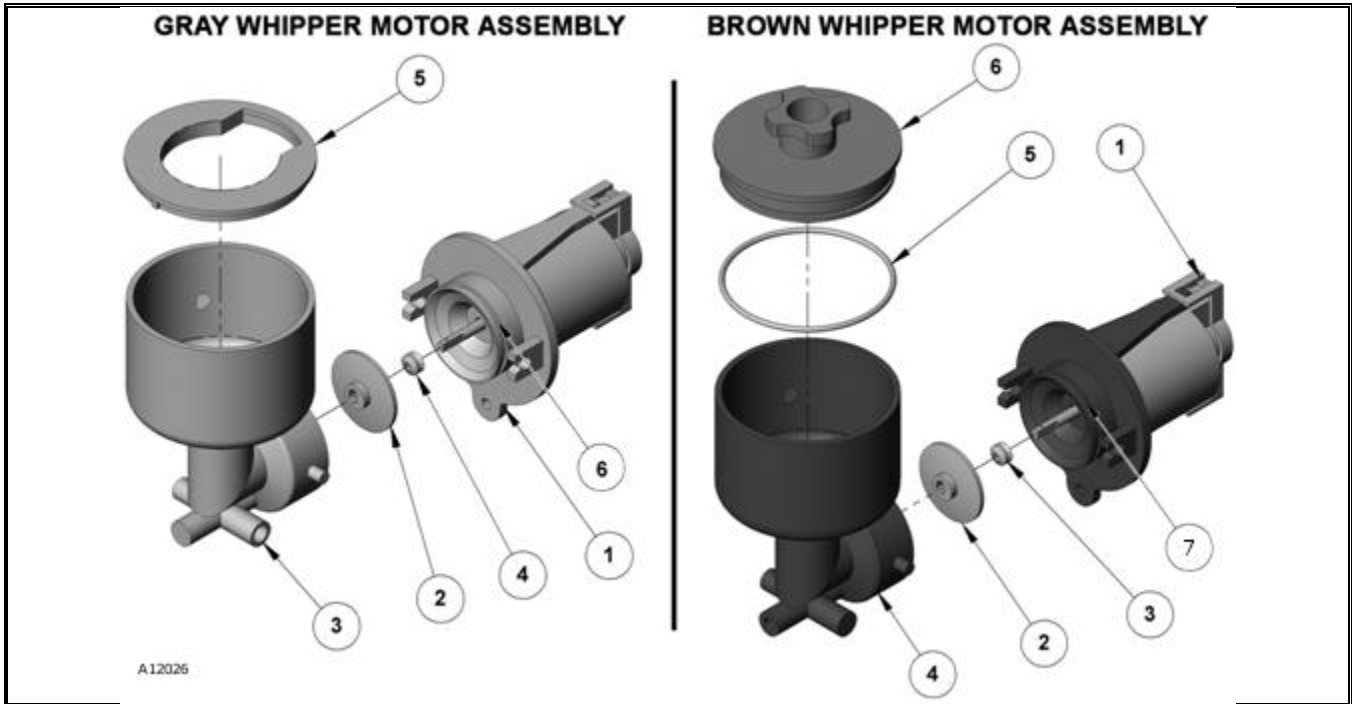
FREEZE DRIED INSTALLATION ASSEMBLY



FREEZE DRIED INSTALLATION ASSEMBLY PART LIST

ITEM NO.	PART NUMBER	FD	DESCRIPTION
1	(SEE PAGE #32)	3	GRAY WHIPPER MOTOR ASSEMBLY
2	(SEE PAGE #33)	1	BEIGE WHIPPER MOTOR ASSEMBLY
3	4220838.000340	1	FD WHIPPER MOUNTING BRACKET-AD
4	4215448	1	EXTRACT DUCT-FD
5	(SEE PAGE #36)	1	BROWN WHIPPER MOTOR ASSEMBLY
6	4214551	1	GROMMET 20 mm
7	8800763	5	8-32X5/16 PHIL PH TYP
8	4214378	7	WATER INLET ADAPTER
9	4214368.001	2	CANISTER 64mm WIRE W/AGITATOR
10	4214368	3	CANISTER 64mm WIRE AUGER
11	4214369	3	CANISTER 64mm PLASTIC AUGER
12	4214371	3	R/H CHUTE(45 X 65 SLOTTED)
13	4214370	3	L/H CHUTE(45 X 65 SLOTTED)
14	4214372	2	CENTRAL CHUTE(45 X 53 SLOTTED)
15	4214442.004	1	COFFEE BOWL TO ARM 14"
16	4214442.010	1	TEA BOWL TO ARM 13"
17	4214442.007	1	M&S BOWL TO ARM 13.5"
18	4214442.008	1	PRE-MIX BOWL TO ARM 13 1/2"
19	4214442.009	1	CHOCOLATE BOWL TO ARM 16"
20	4215013	1	SENSOR BRACKET
21	4219071	8	DRIVE COUPLING

WHIPPER MOTOR ASSEMBLIES

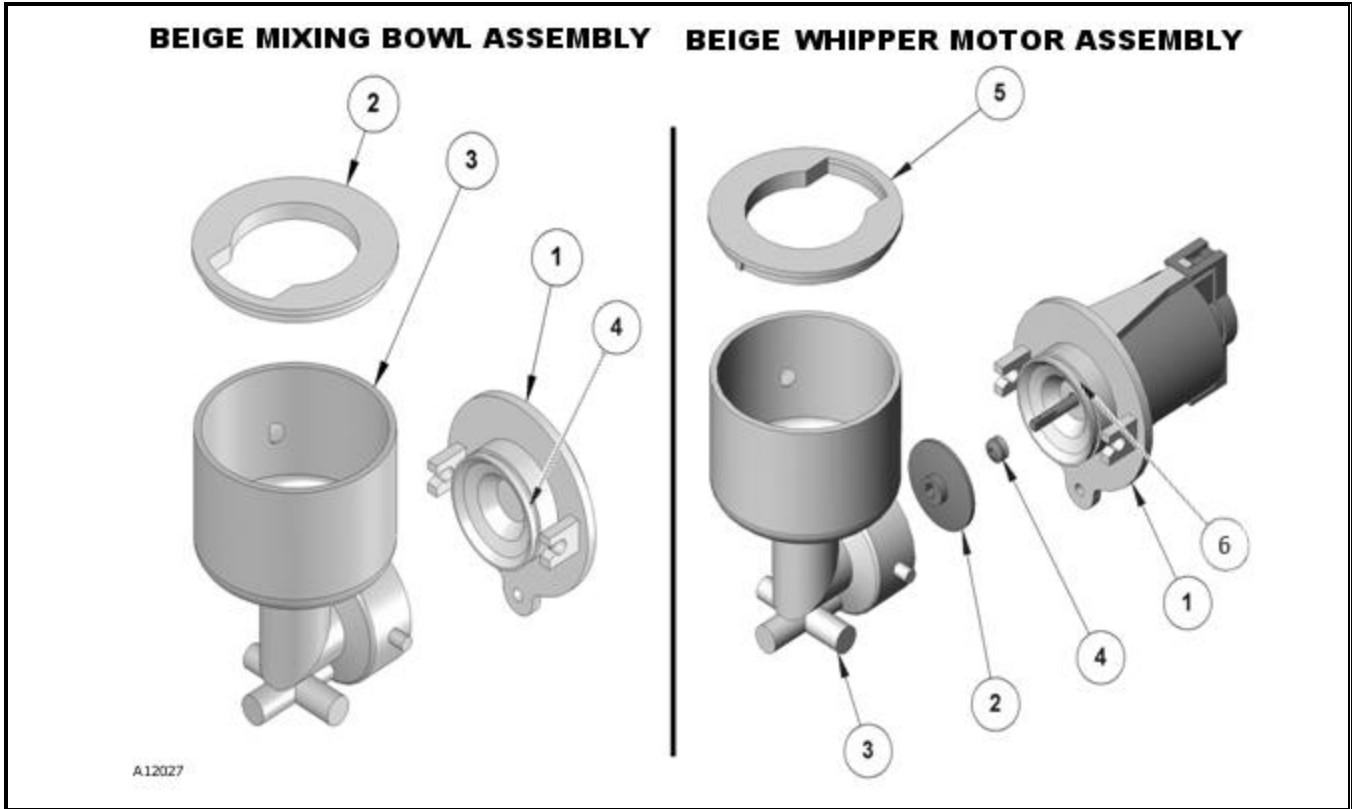


GRAY WHIPPER MOTOR ASSEMBLY PARTS LIST

ITEM NO.	PART NUMBER	QTY	DESCRIPTION
1	1217354	1	WHIPPER MOTOR 24VDC 13700RPM
2	4214445	1	IMPELLER DISK GRAY
3	4214446	1	WHIPPER CHAMBER GRAY
4	4214449	1	WHIPPER SEAL
5	4214447	1	STEAM TRAP GRAY
6	4219536	1	`O' RING WHIPPER BASE

BROWN WHIPPER MOTOR ASSEMBLY PARTS LIST

ITEM NO.	PART NUMBER	QTY	DESCRIPTION
1	1217354.002	1	WHIPPER MOTOR 24VDC 13700RPM
2	4214445	1	IMPELOR DISK GREY
3	4214449	1	WHIPPER SEAL
4	4214570	1	WHIPPER CHAMBER BROWN
5	4214437	1	O-RING 54 X 2
6	4214575	1	COFFEE CHAMBER LID
7	4219536	1	`O' RING WHIPPER BASE



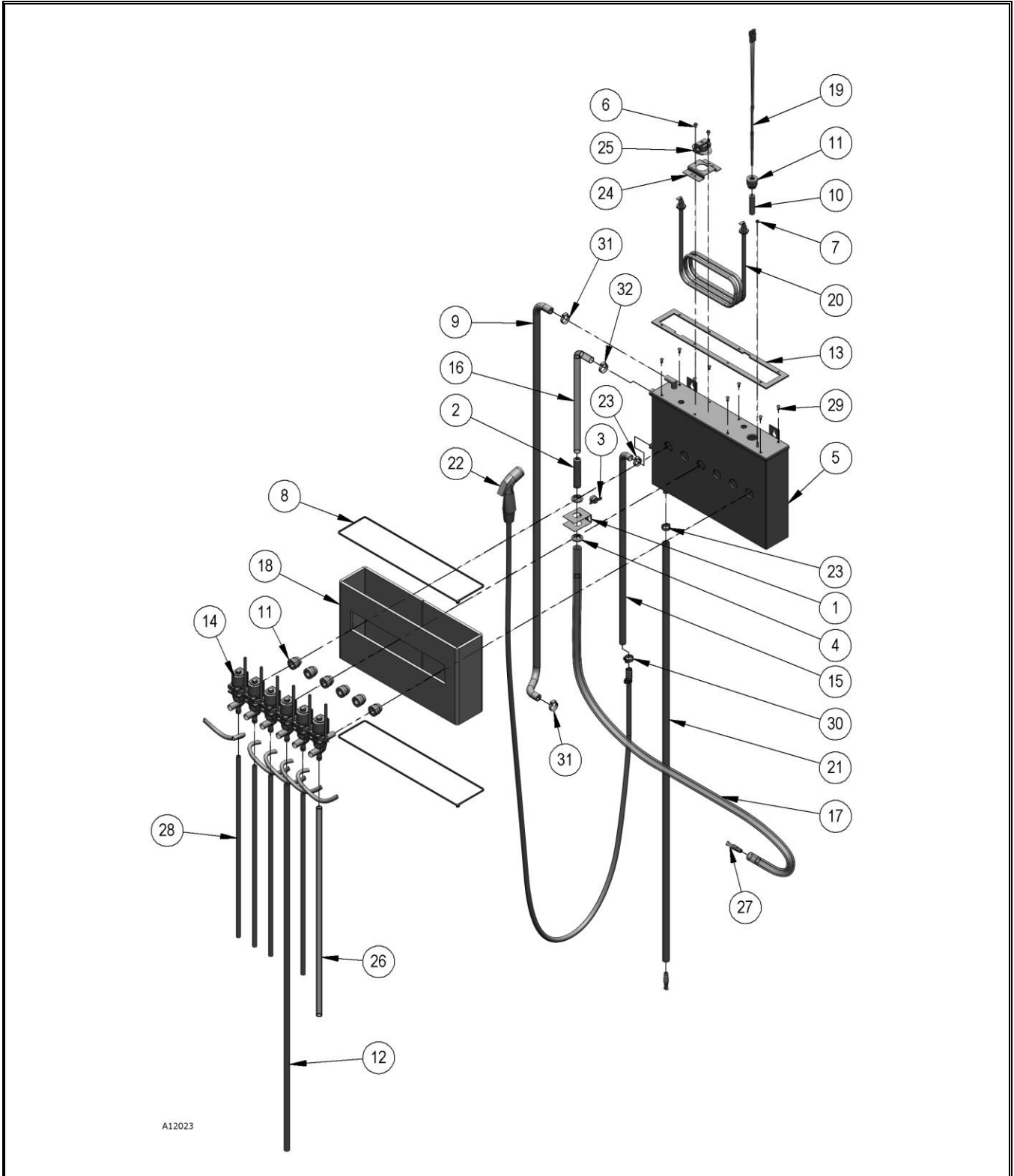
BEIGE MIXING BOWL ASSEMBLY (BLIND) PARTS LIST

ITEM NO.	PART NUMBER	QTY	DESCRIPTION
1	4214507	1	BLIND WHIPPER BASE BEIGE
2	4214461	1	STEAM TRAP BEIGE
3	4214462	1	WHIPPER CHAMBER GREY
4	4219536	1	`O' RING WHIPPER BASE

BEIGE WHIPPER MOTOR ASSEMBLY PARTS LIST

ITEM NO.	PART NUMBER	QTY	DESCRIPTION
1	1217354.001	1	WHIPPER MOTOR 24VDC 13700RPM
2	4214445	1	IMPELLER DISK GRAY
3	4214462	1	WHIPPER CHAMBER BEIGE
4	4214449	1	WHIPPER SEAL
5	4214461	1	STEAM TRAP BEIGE
6	4219536	1	`O' RING WHIPPER BASE

WATER HEATER/BOILER ASSEMBLY



A12023

WATER HEATER/BOILER ASSEMBLY PARTS LIST

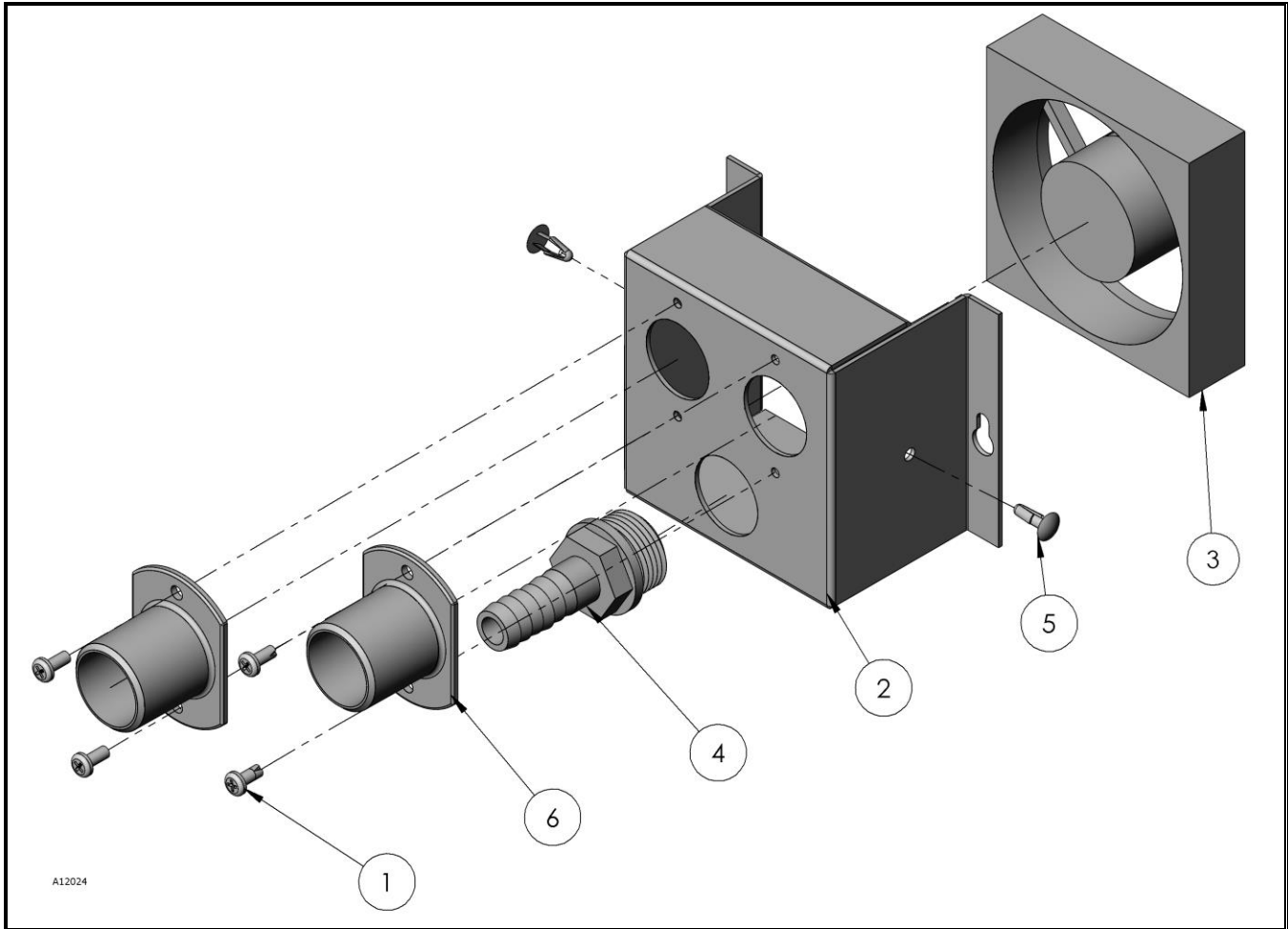
ITEM NO.	PART NUMBER	FB	FD	DESCRIPTION
1	4214334	1	1	THERMAL CUTOUT BRACKET
2	4214434	1	1	CUT OUT TUBE
3	4214475	1	1	THERMAL CUTOUT 85°
4	4214551	2	2	GROMMET 20mm
5	4214855	1	1	WATER HEATER TANK
6	4050420	2	2	8-18X1/4 PHIL HWH TYP
7	4209563	1	1	M4X0.7-HEX-NUT
8	4214419	2	2	CABLE TIE FOR BOILERS
9	4214428	1	1	3/8 X 5/8 SILICON BRAID 4
10	4214429.001	1	1	SIL TUBE 6ID X 3W X 2" LONG
11	4214438	7	7	SWAGED PORT VALVE SEAL
12	4214442.003	1	1	HOT WATER VALVE HOSE-36"
13	4214453	1	1	BOILER SEAL BUDGET VEND
14	4214456	6	6	DISPENSE VALVE 8mm 24VDC
15	4214472	1	1	TUBE 9 X 15 DISPENSE/INLET 1
16	4214473.500	4.67FT	4.67FT	TUBE 11 x 18MM
17	4214473.001	1	1	TUBE 9 IDX 15 OD OVERFLOW (44")
18	4214477	1	1	BOILER INSULATION FOAM
19	4214491	1	1	BOILER PROBE THERMOSTATIC
20	4214504	1	1	HEATER ELEMENT 110V 1.1KW
	4214504.001	-	-	HEATER ELEMENT 220V 2.3 KW
21	4214537.002	1	1	WATER TANK DRAIN TUBE
22	4215215	1	1	SPRAY HOSE 80"
23	4215529	2	2	5/8" HOSE CLAMP
24	4215657	1	1	HIGH TEMP MOUNTING BRACKET
25	4215698	1	1	HIGH TEMP SENSOR/220VAC/6
26	4214537.001	1	-	(ID 8 MM X OD 12 MM) VALVE TO BREWER-20"
	4214442.010	-	1	(ID 6 MM X OD 10 MM) VALVE TO COFFEE-20"
27	4214482	2	2	HOSE BUNG – DRAIN TUBE
28	4214442.001	2	2	VALVE HOSE 19" (6 MM X 10 MM)
29	4216579	8	8	M4 - .7 X 10 SS PHIL PH MS
30	4033712	1	1	CABLE TIE
31	4219528	2	2	CLAMP - 18.5 STEPLESS

NOTE: All tubing is listed by length for guide purposes only, tubing is supplied by the ft and the base part number is used (i.e. no .xxx)

LIST OF PARTS NOT SHOWN

32	4219008	6	6	MEMBRANE SEAL – DISPENSE VALVE
----	---------	---	---	--------------------------------

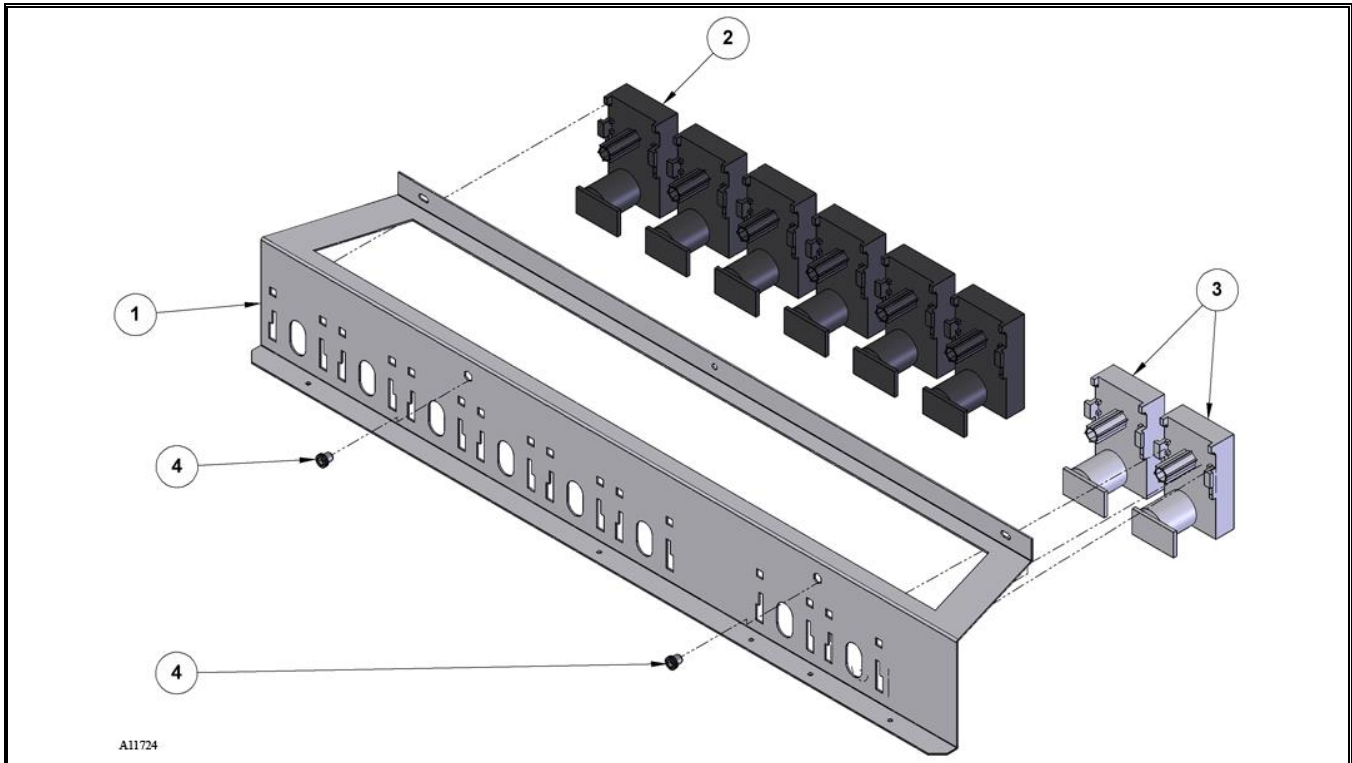
EXHAUST FAN ASSEMBLY



EXHAUST FAN ASSEMBLY PARTS LIST

ITEM NO.	PART NUMBER	FB	FD	DESCRIPTION
1	4050239	4	4	8-32X3/8 PHL PH TY-T
2	4214322.000330	1	1	FAN BOX/BLACK
3	4214464	1	1	EXTRACT FAN SOUNON (25db)
4	4214937	1	1	ADAPTER 5/8 TU X 3/4 NPS
5	4205329	2	2	ARROW CLIP
6	8346771	2	2	HOSE OUTLET-LONG

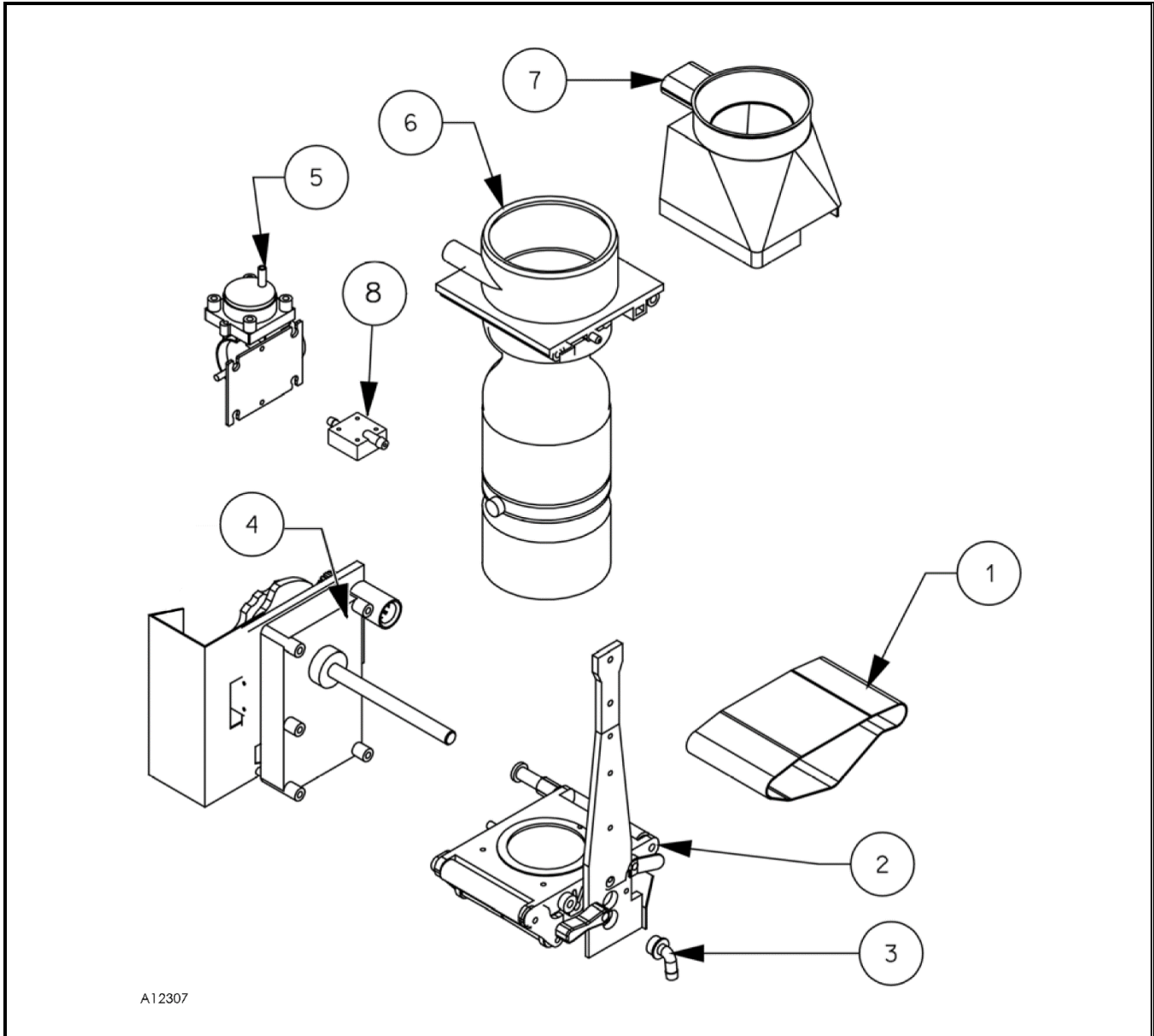
INGREDIENT MOTOR PANEL ASSEMBLY



INGREDIENT MOTOR PANEL ASSEMBLY PARTS LIST

ITEM NO.	PART NUMBER	FB	FD	DESCRIPTION
1	4214319.000330	1	1	INGREDIENT MOTOR SHELF
2	4214364	6	6	ING MOTOR 120RPM ULT IM9
3	4214579	2	-	ING MOTOR 140RPM IM13
	4214364	-	2	INGREDIENT MOTOR 120 RPM
4	44215383	2	2	10-24 HEX NUT INSERT

12 OZ COFFEE BREWER SPARE PARTS (FB & BTC)



12 OZ COFFEE BREWER SPARE PARTS LIST

ITEM NO.	PART NUMBER	FB	DESCRIPTION
1	4215265.001	1	COFFEE FILTER BELT – BLUE STITCHING
2	4215638	1	12 OZ CARIAGE ASSEMBLY
3	4215639	1	TEA/COFFEE REDUCING OUTLET
4	1216062.302	1	DRIVE MOTOR/GEARBOX
5	4215641.001	1	AIR PUMP KIT
6	4215642.001	1	BREWERPOT ASSEMBLY 12 OZ COFFEE
7	4215643	1	MIXING BOWL COVER & VENT

ITEM NO.	PART NUMBER	FB	DESCRIPTION
8	4216684	1	PRESSURE SWITCH - BREWER
9	4219997	1	'O' RING WHITE
10	4217350	1	FRONT BEARING SUPPORT
11	4218742	1	BELLOWS CYLINDER
12	4218445	1	SEAL - MIXING BOWL
13	4219596	1	TOP MIX BOWL

LIST OF PARTS NOT SHOWN

14	4218910	1	CONNECTING ROD ASSEMBLY
15	4226143	1	LONG ROD – FILTER PLATE
16	4226144	1	SHORT ROD – FILTER PLATE
17	4219688	1	SEAL – BREW MIX BOWL
18	4218744	1	RETAINER – BOWL SEAL
19	4219997	1	O-RING BREW CYLINDER WHITE
20	4228395	1	PLUNGER SWIVEL SPRING ARM

NOTES

The contents of this publication are presented for informational purposes only, and while every effort has been made to ensure their accuracy, they are not to be construed as warranties or guarantees, express or implied, regarding the products or services described herein or their use or applicability. We reserve the right to modify or improve the designs or specifications of such products at any time without notice.



VendNet™
165 North 10th Street
Waukee, Iowa 50263
United States of America



	USA & Canada	International
Service	(800) 833-4411	(515) 274-3641
Parts	(888) 259-9965	
Email	vendnet@vendnetusa.com	
Web Site	www.vendnetusa.com	