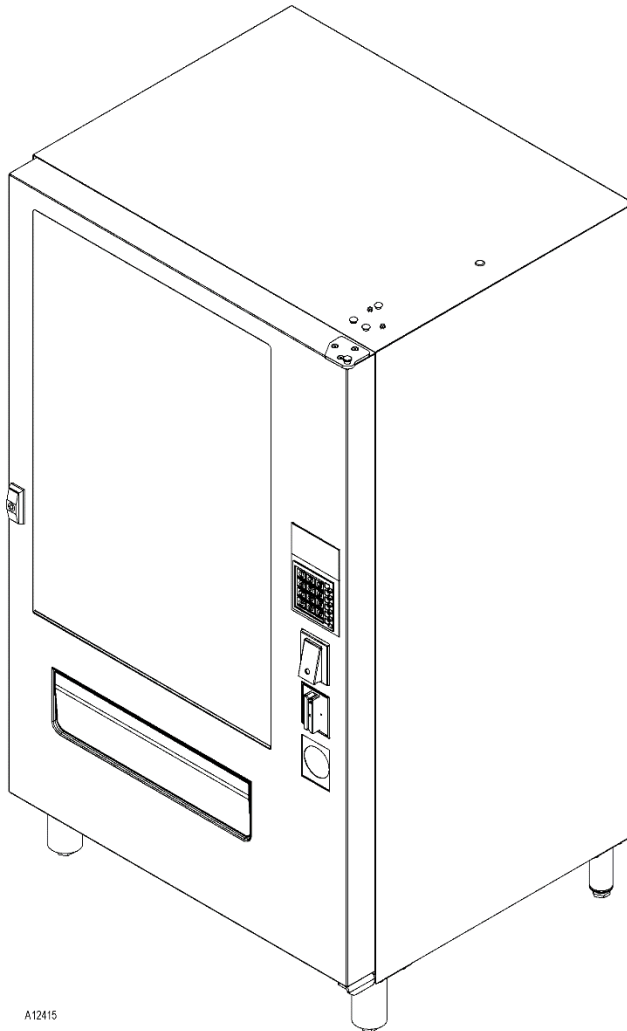




SUPPLY DISENSOR

SD5000 & SD3000



A12415

MODELS:

SD5000 – 3535, 3535A

SD3000 – 3537, 3537A

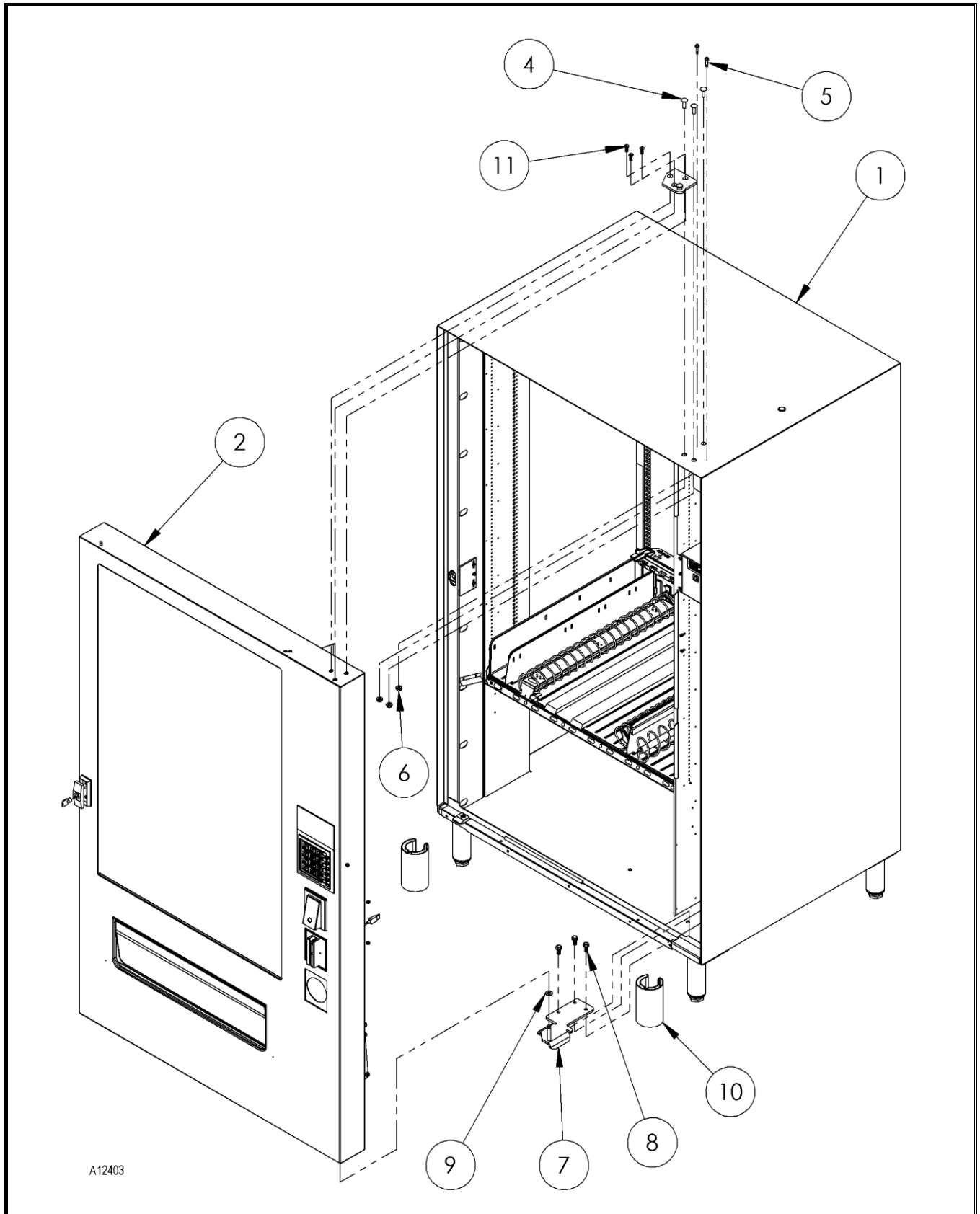
VendNet™
8040 University Boulevard
Des Moines, IOWA 50235
United States of America

PARTS MANUAL

TABLE OF CONTENTS

FINAL ASSEMBLY	1	<i>BARCODE READER OPTION PARTS LIST</i>	14
<i>FINAL ASSEMBLY PARTS LIST</i>	2		
DOOR ASSEMBLY	3	MAGSTRIPE READER OPTION	15
<i>DOOR ASSEMBLY PARTS LIST</i>	5	<i>MAGSTRIPE READER OPTION PARTS LIST</i>	15
LED ASSEMBLY (24VDC)	7	CABINET ASSEMBLY	16
<i>LED ASSEMBLY (WITH STRIP LED-12VDC) PARTS LIST</i>	8	<i>CABINET ASSEMBLY PARTS LIST</i>	17
LARGE DELIVERY BOX ASSEMBLY	9	CONNECTION BOX ASSEMBLY	18
<i>DELIVERY BOX ASSEMBLY WITH LIFT PARTS LIST</i>	10	<i>CONNECTION BOX ASSEMBLY (110VAC) PARTS LIST</i>	18
KEYPAD & 3.5" LCD ASSEMBLY	11	PLASTIC TRAY ASSEMBLY	19
<i>KEYPAD & 3.5" LCD ASSEMBLY PARTS LIST</i>	11	<i>PLASTIC TRAY ASSEMBLY PARTS LIST</i>	20
TOOL RETURN OPTION	12	PUSH-IT TRAY ASSEMBLY	21
<i>TOOL RETURN OPTION PARTS LIST</i>	12	<i>PUSH-IT TRAY ASSEMBLY PARTS LIST</i>	22
FINGERPRINT READER OPTION	13	POWER BOX ASSEMBLY (110V)	23
<i>FINGERPRINT READER OPTION PARTS LIST</i>	13	<i>POWER BOX ASSEMBLY (110V) PART LIST</i>	23
BARCODE READER OPTION	14	OPTIONAL SPIRALS	25

FINAL ASSEMBLY



A12403

* SPECIFY COLOR

AR AS REQUIRED

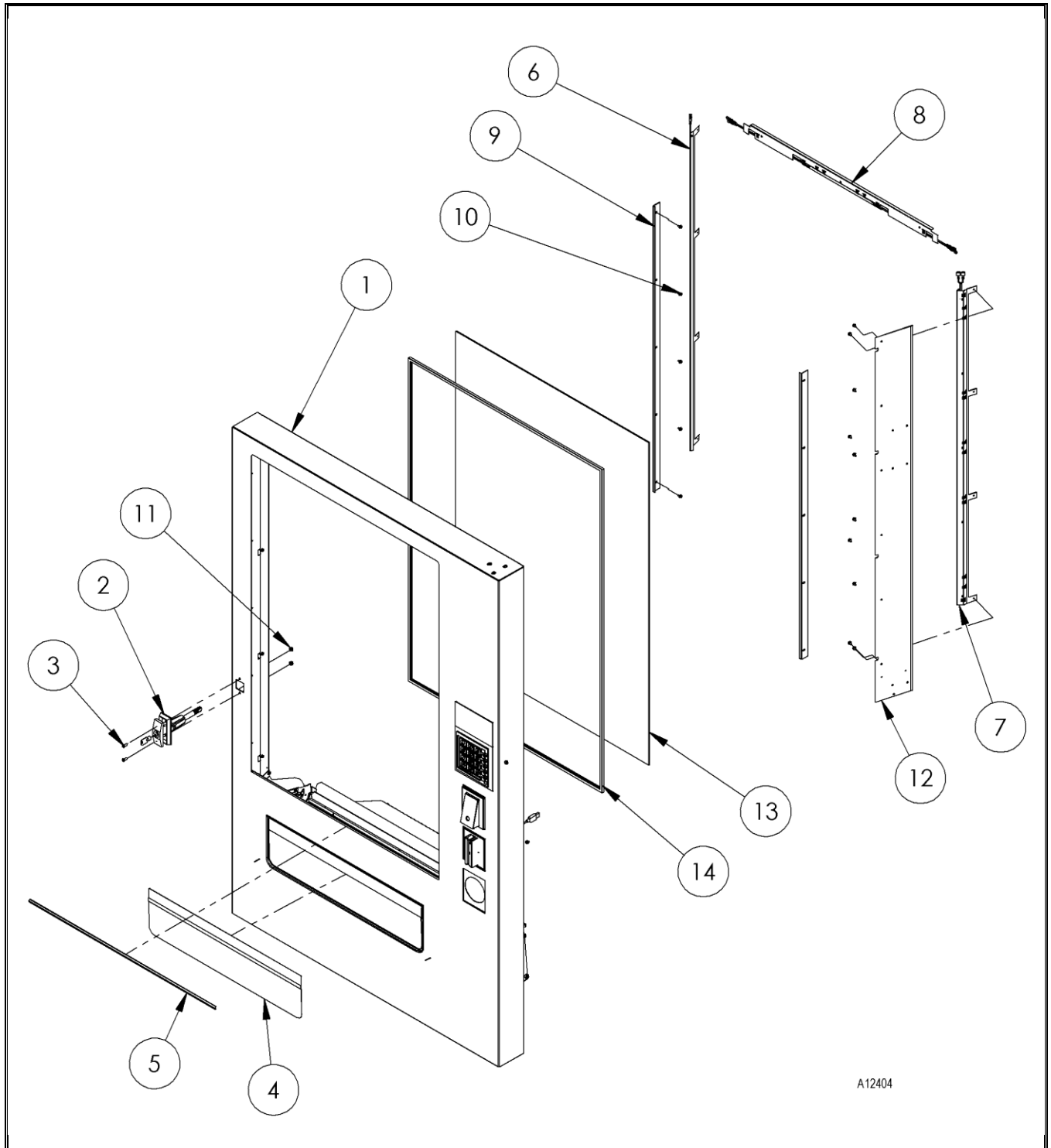
FINAL ASSEMBLY PARTS LIST

ITEM NO.	PART NUMBER	3535	3537	DESCRIPTION
1	SEE PAGE #16	-	-	CABINET ASSEMBLY
2	SEE PAGE #3	-	-	DOOR ASSEMBLY
3	*1217321.XXXXXX	1	1	TOP HINGE ASSEMBLY
4	4050099	3	3	5/16-18 X 3/4 CARRIAGE BOLT
5	4215175	2	2	12-18 X 1 HEX WASHER HEAD TEK SCREW
6	8810015	3	3	5/16-18 FLANGE LOCK NUT
7	*1219108.XXXXXX	1	1	BOTTOM HINGE STAKE ASSEMBLY
8	8801388	3	3	5/16-18X3/4 HEX WASHER HEAD TYPE 1
9	4050767	2	2	3/8 FLAT WASHER-NYLON BLACK
10	4224812	2	2	SNAP-ON LEG COVER - 6"

* SPECIFY COLOR

AR AS REQUIRED

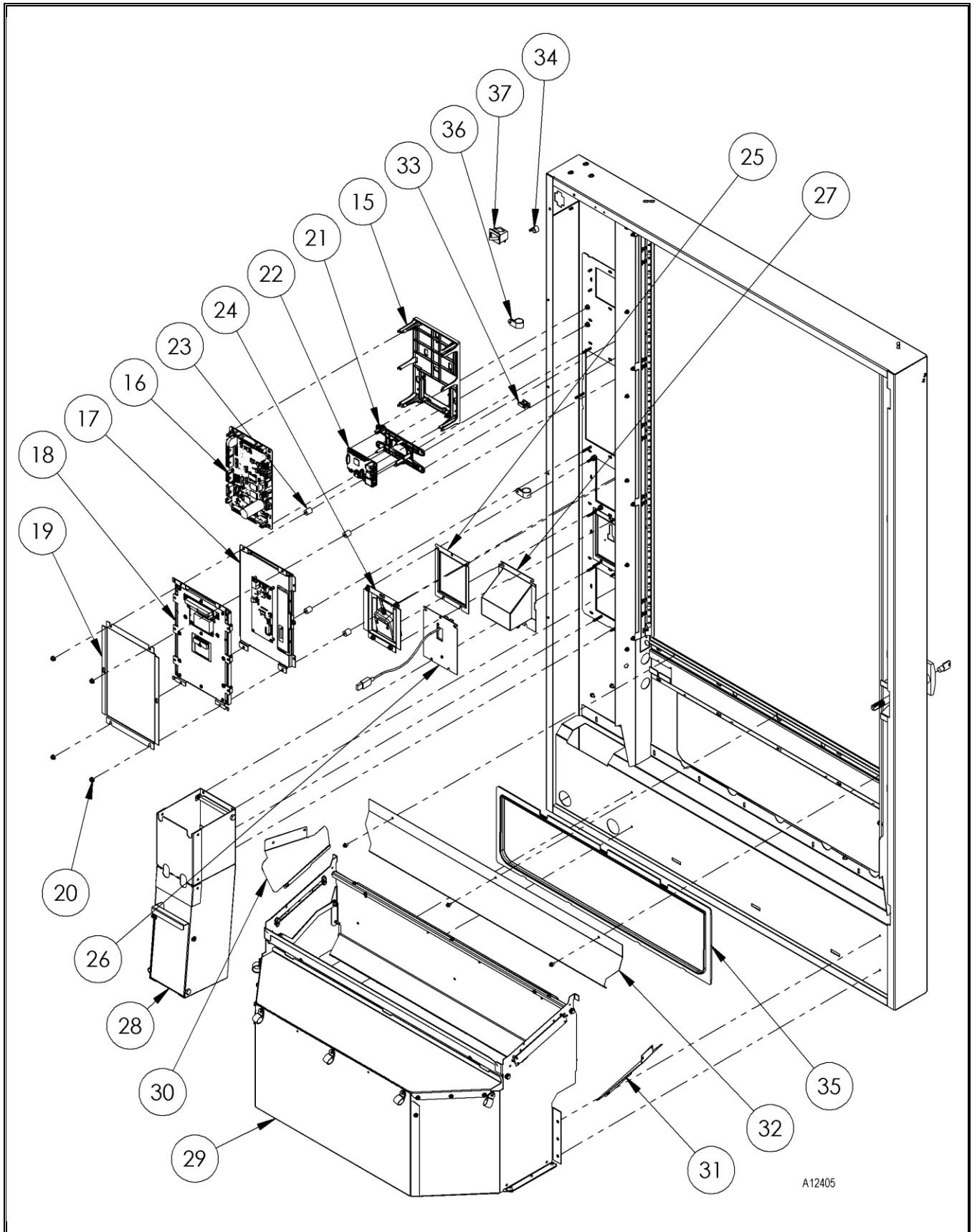
DOOR ASSEMBLY



A12404

* SPECIFY COLOR

AR AS REQUIRED



* SPECIFY COLOR

AR AS REQUIRED

DOOR ASSEMBLY PARTS LIST

ITEM NO.	PART NUMBER	3535	3537	DESCRIPTION	
1	*1221511.000XXX	1	-	DOOR WELD/SD5000	
	*1221529.000XXX	-	1	DOOR WELD/SD3000	
2	4203486.005	1	1	1/4 TURN HANDLE	
3	4050338	2	2	10-32X1/2 PHILLIPS FLAT HEAD MACHINE SCREW	
4	4224861.005	1	-	DELIVERY DOOR DECAL-BLACK/5W	
	4224861.003	-	1	DELIVERY DOOR DECAL-BLACK/3W	
5	4228327.005	1	-	GLASS FILLER/SD5000 FLEX	
	4228327.003	-	1	GLASS FILLER/SD3000 FLEX	
6	1218681.001	1	1	SIDE LED ASSY-HINGE SIDE	SEE PAGE #7
7	12128681	1	1	SIDE LED ASSY-LOCK SIDE	SEE PAGE #7
8	1218865.002	1	-	TOP LED ASSY W/LED/5W	SEE PAGE #7
	1218865.003	-	1	TOP LED ASSY/NO LED /3W	SEE PAGE #8
9	4222664.000330	2	2	SIDE WINDOW RETAINER	
10	4050420.001	AR	AR	8-18X1/4 PHILLIPS HWH TY-/BLK	
11	4050495	2	2	10-32 HEX NUT, TWO WAY LOCK	
12	4216545.000330	1	1	RIGHT DOOR PARTITION	
13	4202051.012	1	-	DISPLAY GLASS/5000	
	4202051.013	-	1	DISPLAY GLASS/3000	
14	4202039.005	1	-	WINDOW GASKET (5W)	
	4202039.003	-	1	WINDOW GASKET (3W)	
15	4226605	1	1	VMC BOARD MOUNT - FLEX	
16	4224664	1	1	FLEX CONTROL BOARD**use001/002	W/ITEM #17
	4227568	1	1	VMC CONTROL BOARD W/ETHERNET	W/ITEM #18
17	1219843	1	1	10.1" TOUCHSCREEN ASSEMBLY	
18	1220895	1	1	ELECTRONIC PACKAGE - KEYPAD & 3.5" LCD	SEE PAGE #11
19	4228865.000330	1	1	BLANKING PLATE - 10.1" TS/SD5000	
20	8800956	AR	AR	8-32 HEX NUT W/EXTERNAL TOOTH LOCKWASHER	
21	4226628	1	1	RASPBERRY PI MOUNT	
22	4225084	1	1	RASPBERRY PI 3 MODEL B	
23	4228364	4	4	SPACER-TOUCHSCREEN MOUNT	
24	1221086.400	1	1	BARCODE READER INSTALL	SEE PAGE #14
25	4217573	AR	AR	PERIPHERAL FILLER	
26	1221654.400	1	1	MAG-STRIPE READER INSTALL	SEE PAGE #15
27	1221667.400	1	1	FINGERPRINT READER INSTALL	SEE PAGE #13
28	1220683.400	1	1	TOOL RETURN INSTALL	SEE PAGE #12
29	SEE PAGE #9	1	1	LARGE DELIVERY BOX ASSEMBLY	
30	4228343.000330	1	1	DELIVERY DEFLECTOR/SD5000/RH	
31	4228344.000330	1	1	DELIVERY DEFLECTOR/SD5000/LH	
32	4228345.000330	1	1	BTM WINDOW DEFLECTOR/SD5000	
33	4216313	AR	AR	CLAMP	
34	8324099.1	1	1	CLAMP - 3/8 X 3/16	
35	4228269.005	1	-	DELIVERY BEZEL-SD5000	

* SPECIFY COLOR

AR AS REQUIRED

ITEM NO.	PART NUMBER	3535	3537	DESCRIPTION
	4228269.003	-	1	DELIVERY BEZEL-SD3000
36	4212621			SWITCH
37	8324099.7	2	2	CLAMP - 1/2 X 5/8

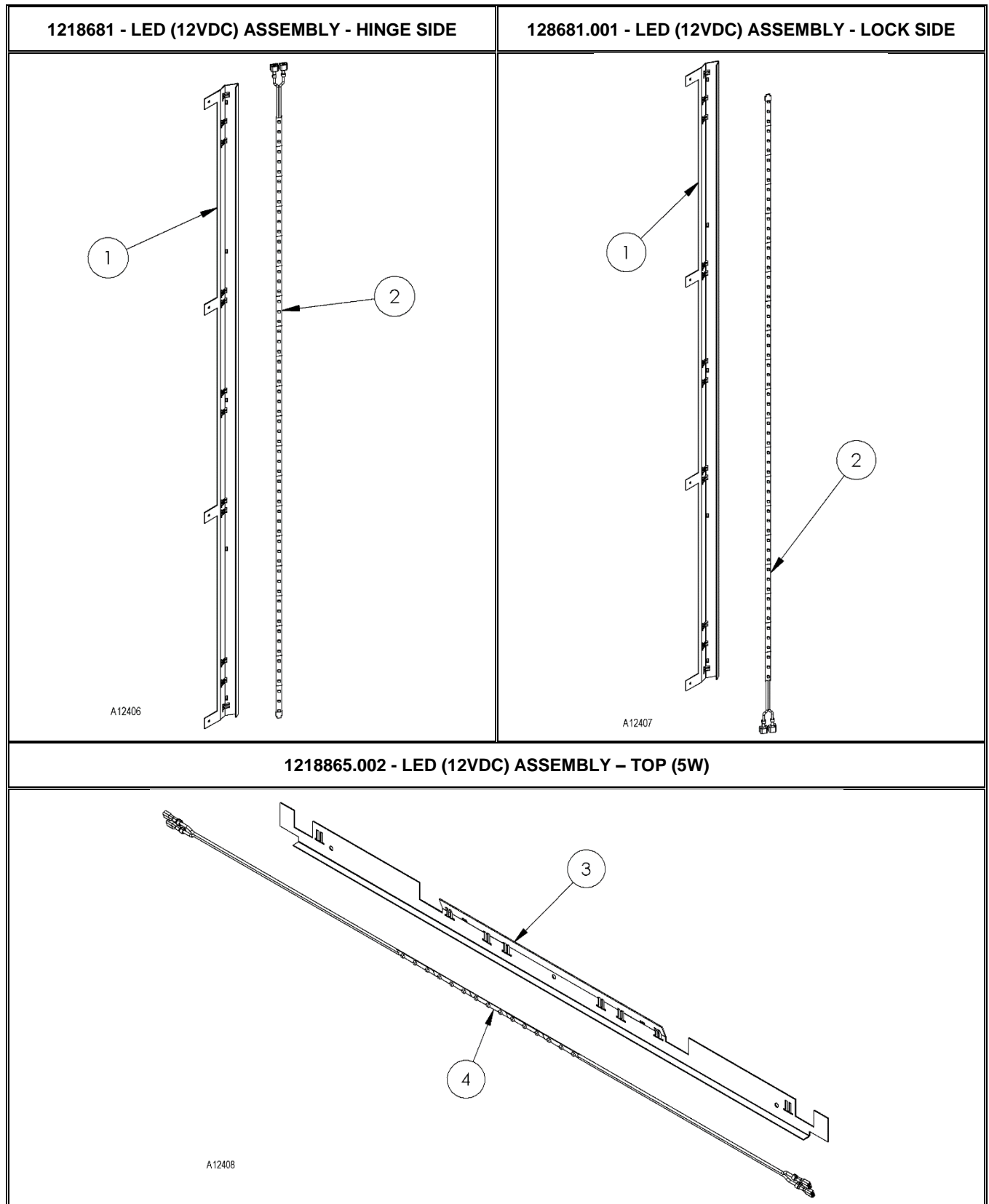
LIST OF PARTS NOT SHOWN

	4225072	1	1	SBC SERIAL PORT HARNESS
	4225195	1	1	SBC HDMI DISPLAY HARNESS
	4225196	1	1	SBC DISPLAY TOUCH HARNESS
	4225078.001	1	1	SBC POWER HARNESS - LOCKER
	4226157.***	1	1	MICRO SD CARD-16GB - *** <i>SPECIFY IMAGE TYPE</i>
	4216308	1	1	DOOR SWITCH HARNESS
	4220904	1	1	LED POWER HARNESS
	4215548	1	1	10' ETHERNET CBL W/MALE-MALE
	4228443	1	1	MOTOR MATRIX/IVEND HARNESS TO CLIENT
	4228444	1	1	ROWS FOR PUSHIT - ADAPTER HARNESS
	4228445	1	1	MOTOR MATRIX/IVEND HARNESS FROM HOST
	4228446	1	1	UMBILICAL HARNESS -GF HOST/CLIENT

* SPECIFY COLOR

AR AS REQUIRED

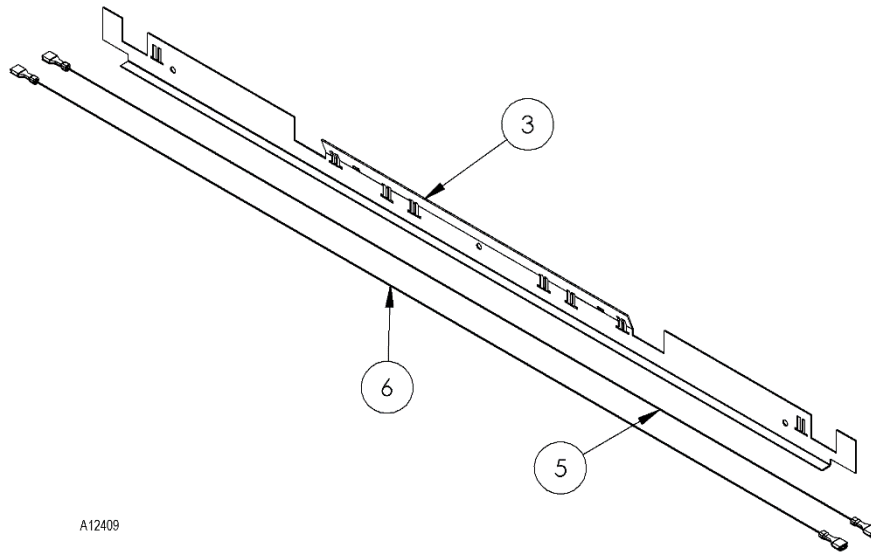
LED ASSEMBLY (24VDC)



* SPECIFY COLOR

AR AS REQUIRED

1218865.002 - LED (12VDC) ASSEMBLY – TOP (3W)



LED ASSEMBLY (WITH STRIP LED-12VDC) PARTS LIST

ITEM NO.	PART NUMBER	3535	3537	DESCRIPTION
1	4220903.000309	1	1	LED MOUNT(SIDE)
2	4220902	1	1	LED SIDE STRIP ASSY
3	4220930.000309	1	1	TOP LED MOUNT
4	4220902.001	1	-	LED TOP STRIP ASSY
5	4220991.001	-	1	WIRE ASSEMBLY(RED)
6	4220991.002	-	1	WIRE ASSEMBLY(BLK)

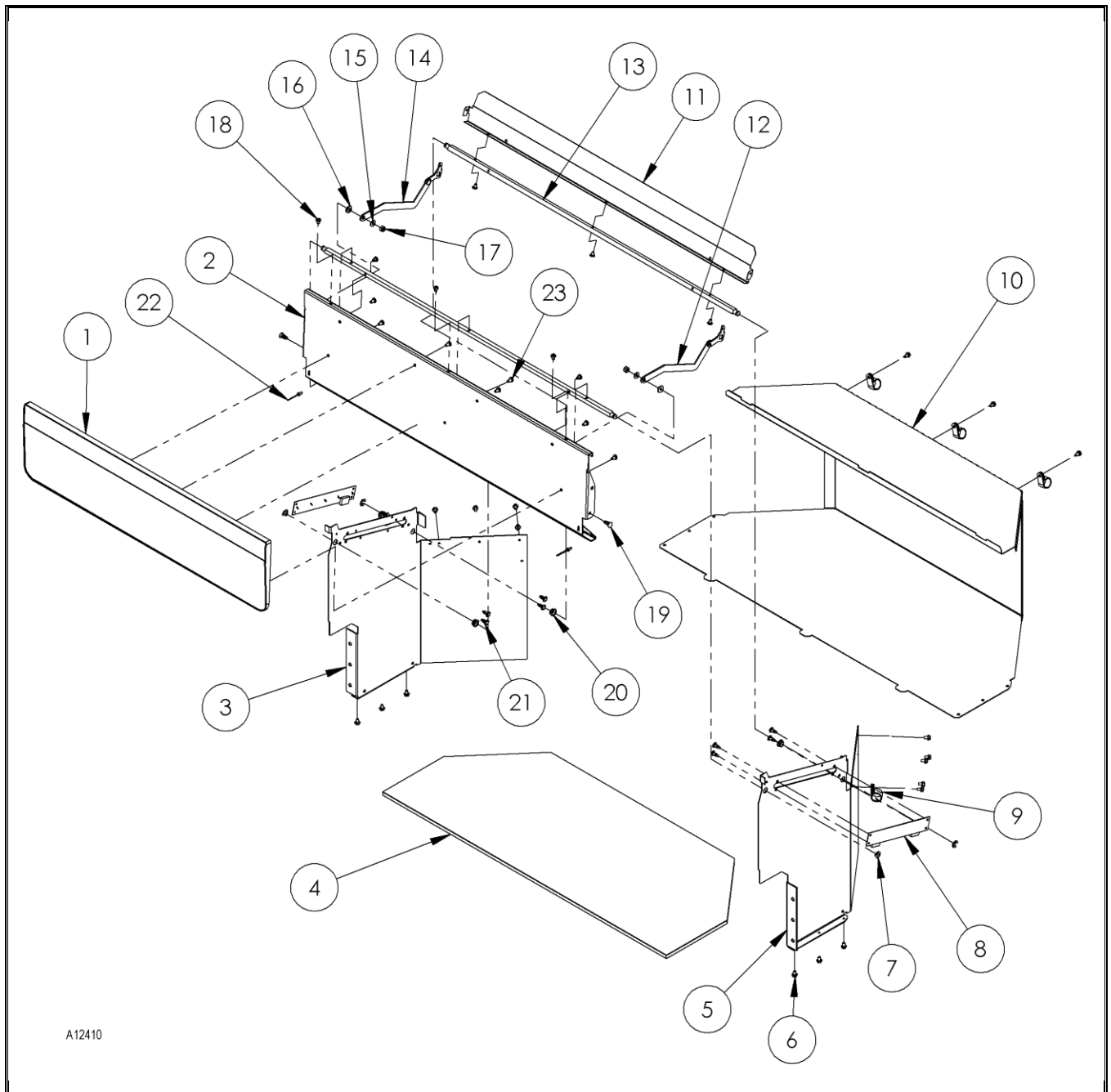
LIST OF PARTS NOT SHOWN

4220904	1	1	LED POWER HARNESS
---------	---	---	-------------------

* SPECIFY COLOR

AR AS REQUIRED

LARGE DELIVERY BOX ASSEMBLY



A12410

* SPECIFY COLOR

AR AS REQUIRED

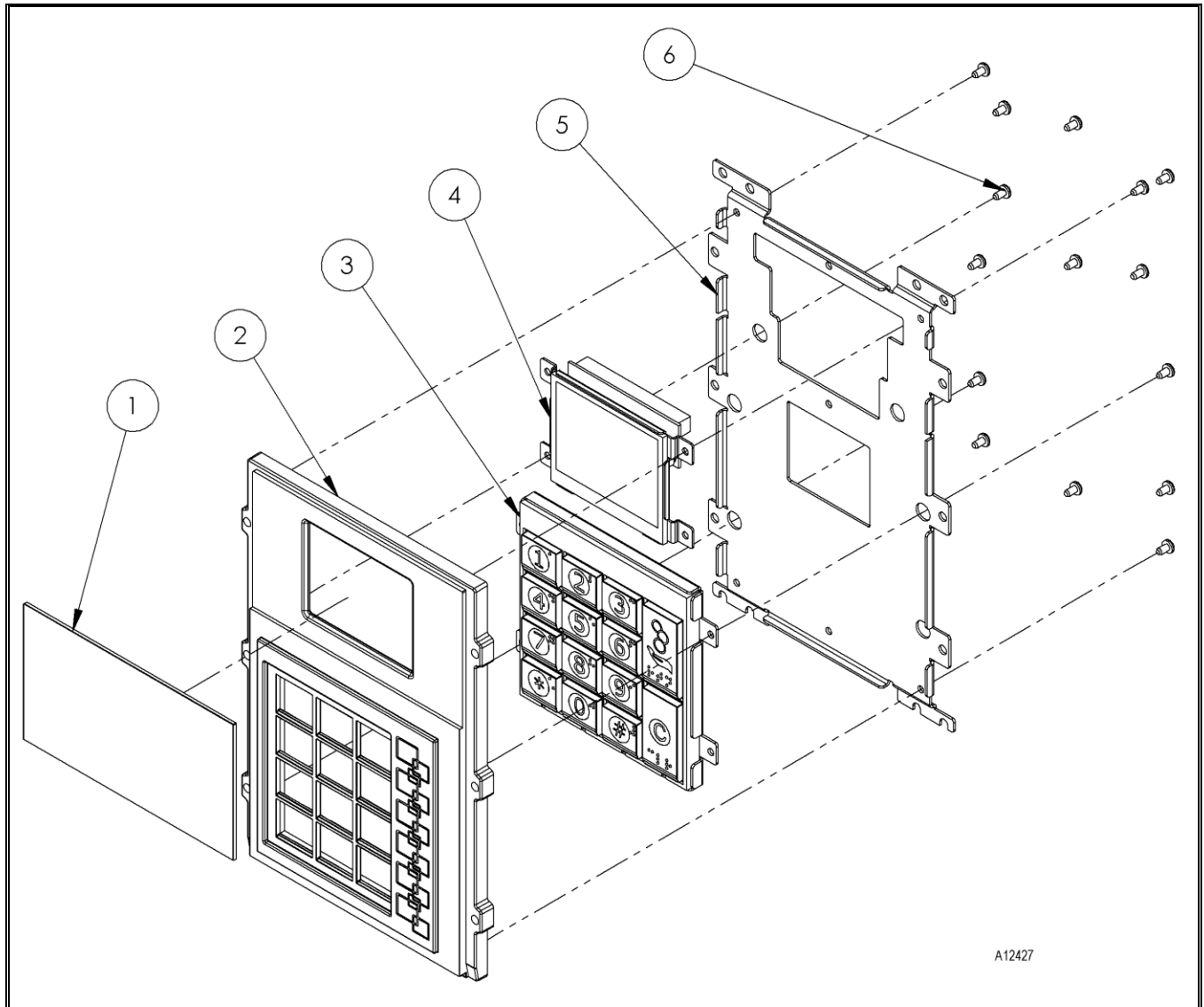
DELIVERY BOX ASSEMBLY WITH LIFT PARTS LIST

ITEM NO.	PART NUMBER	3535	3537	DESCRIPTION
1	4225001.005	1	-	DELIVERY DOOR FASCIA-5W
	4225001.003	-	1	DELIVERY DOOR FASCIA-3W
2	4228301.001330	1	-	DELIVERY DOOR W/STUDS-SD5000
	4228407.001330	-	1	DELIVERY DOOR W/STUDS-SD3000
3	4228341.001330	1	1	DELIVERY WRAPPER SIDE/LH
4	4228371.005	1	-	FOAM PAD HI-CAP DELIVERY BOX/SD5000
	4228371.003	-	1	FOAM PAD HI-CAP DELIVERY BOX/SD3000
5	4228341.000330	1	1	DELIVERY WRAPPER SIDE/RH
6	4050420.001	AR	AR	8-18X1/4 PHILLIPS HEX WASHER HEAD TYPE- B/BLK
7	8801080	4	4	E-RING, 5/16
8	4212464.011	1	1	DELIVERY (IVEND) SENSOR
9	8324099.2	5	5	CLAMP - 1/4 IN
10	4228342.000330	1	-	DELIVERY WRAPPER-BACK/SD5000
	4228410.000330	-	1	DELIVERY WRAPPER BACK/SD3000
11	4228399.000330	1	-	DELIVERY ANTI-CHEAT BACK/5W
	4228413.000330	-	4	DELIVERY ANTI-CHEAT BACK/3W
12	1220748.001	1	1	ANTICHEAT LINKAGE LH - HCB II
13	4214125	2	-	DELIVERY SHAFT/5W
	4214104	-	2	DELIVERY SHAFT/3W
14	1220748.002	1	1	ANTICHEAT LINKAGE RH - HCB II
15	8801011	2	2	#8 FLAT WASHER
16	4030100.001	2	2	BUSHING-SPACER - .100"
17	4210384	2	2	8-32 NYLOK HEX NUT
18	4050212	10	10	8-32X1/4 PHILLIPS PAN HEAD TYPE-T
19	4205329	2	2	ARROW CLIP
20	4025263.001	4	4	TYPE#5 NYLINER 5/16ID (PLASTIC BEARING)
21	4220025	8	8	PLASTIC STANDOFF
22	4050663	2	2	1/8 X 1/4 RIVET
23	4220174	7	7	#8 X 5/16 PHILLIPS PAN HEAD THREAD ROLLING SCREW

* SPECIFY COLOR

AR AS REQUIRED

KEYPAD & 3.5" LCD ASSEMBLY



A12427

KEYPAD & 3.5" LCD ASSEMBLY PARTS LIST

ITEM NO.	PART NUMBER	3535	3537	DESCRIPTION
1	4224783	1	1	3.5" DISPLAY LENS
2	4228332	1	1	BEZEL-DISPLAY & KEYPAD/NO COIN
3	1219854	1	1	KEYPAD ASSEMBLY
4	1219888	1	1	3.5" DISPLAY ASSEMBLY
5	4224743	1	1	BACKING PLATE-DISPLAY & KEYPAD
6	4225034	19	19	6-32 X 1/4 PHILLIPS PAN HEAD PLASTITE SCREW

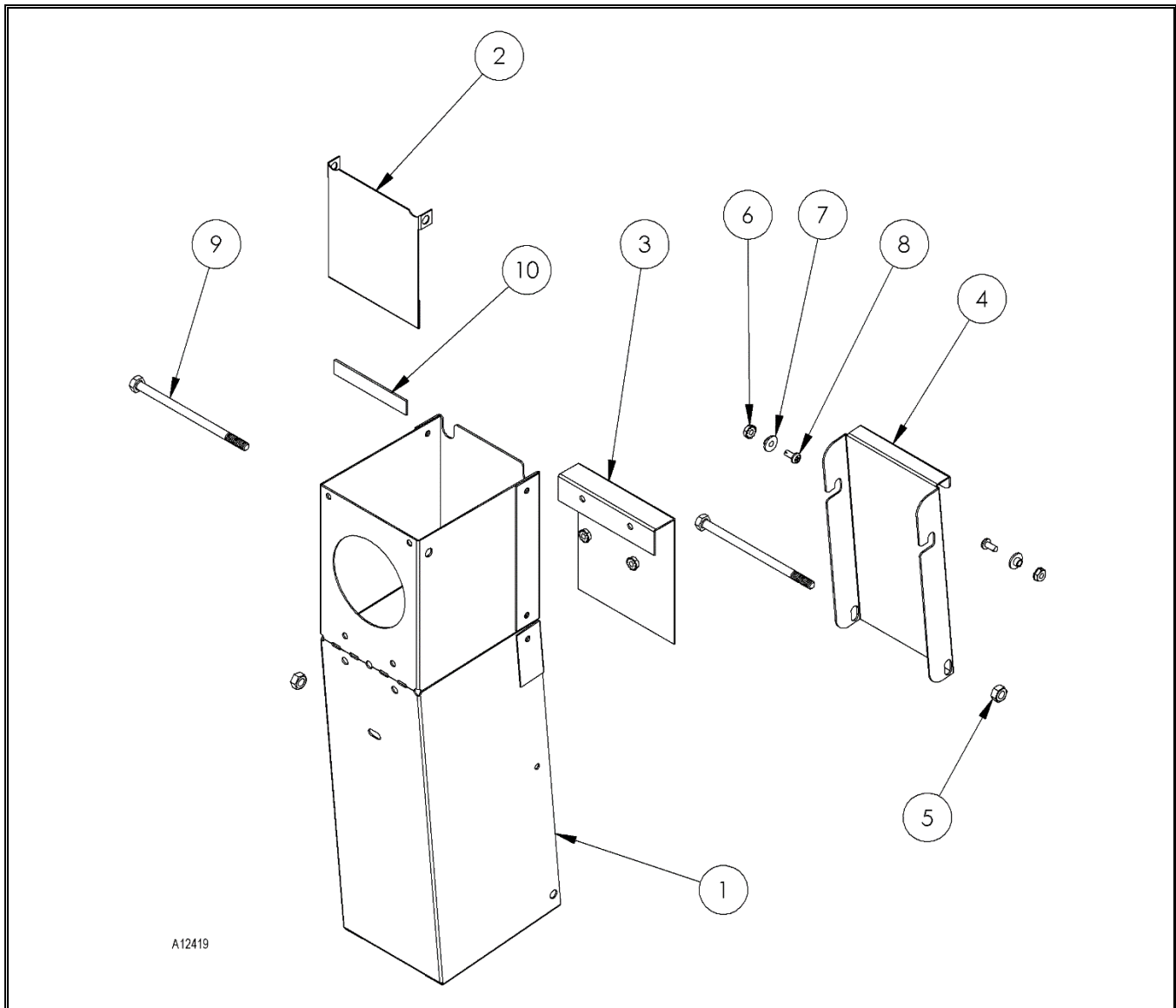
LIST OF PARTS NOT SHOWN

4216099	1	1	KEYPAD CABLE - 28.25"
4226903.001	1	1	DISPLAY HARNESS - 9"

* SPECIFY COLOR

AR AS REQUIRED

TOOL RETURN OPTION



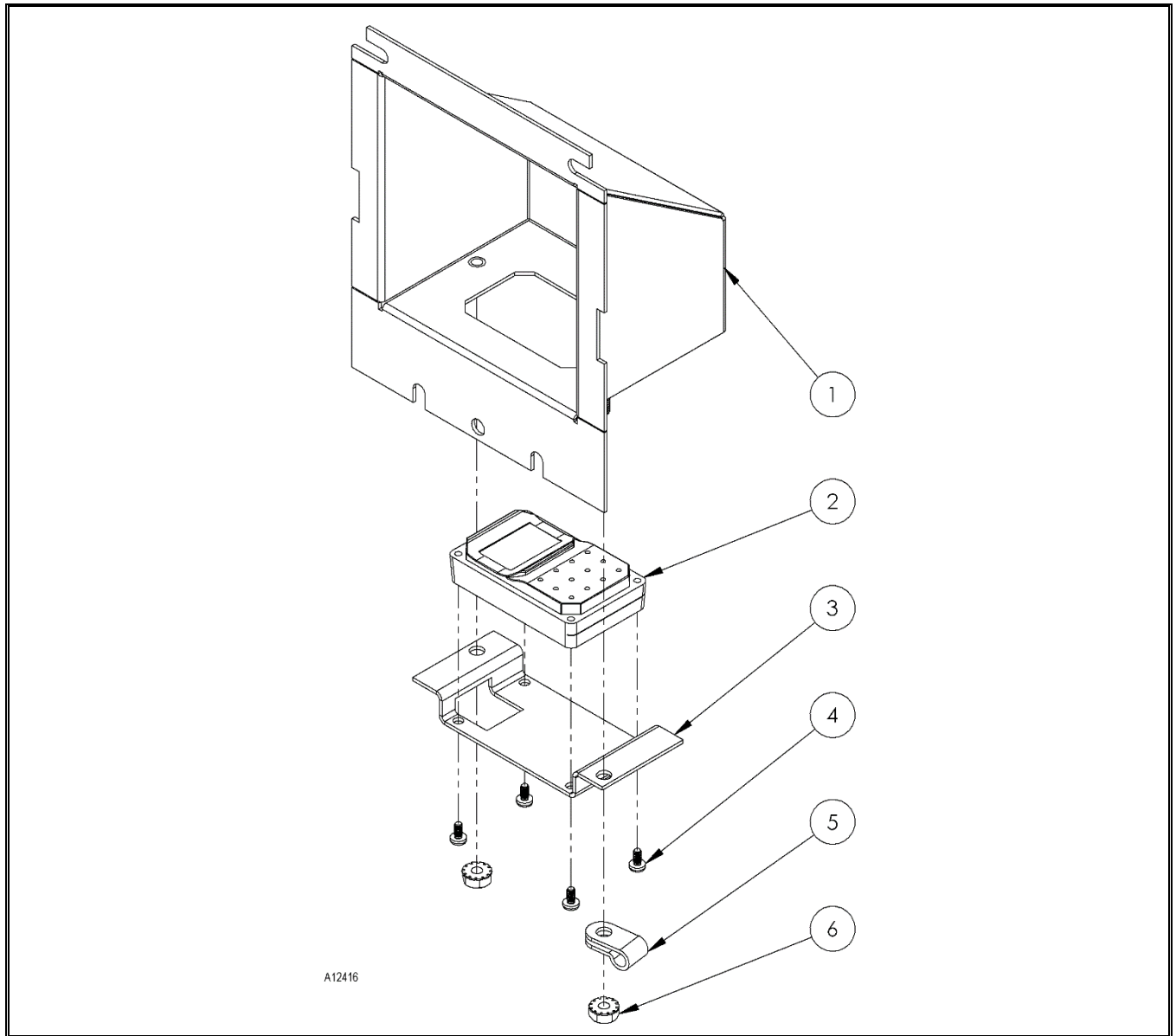
TOOL RETURN OPTION PARTS LIST

ITEM NO.	PART NUMBER	3535	3537	DESCRIPTION
1	1220724.000330	1	1	RETURN CHUTE BOX WELD
2	4226425.000330	1	1	RETURN CHUTE DOOR/ALPINE
3	4226426.000330	1	1	RETURN CHUTE FILLER/ALPINE
4	4226424.000330	1	1	RETURN CHUTE LOCK DOOR/ALPINE
5	4050496	2	2	1/4-20 NUT, TWO WAY LK
6	8800956	4	4	8-32 HEX NUT W/ETW
7	4030100.004	2	2	BUSHING-SPACER
8	4050239.001	2	2	8-32X3/8 PHL PH TY-T/BLACK
9	4222723	2	2	1/4-20 X 4 1/2" HHCS
10	4205328	1	1	.060 X .500 MAGNET

* SPECIFY COLOR

AR AS REQUIRED

FINGERPRINT READER OPTION



FINGERPRINT READER OPTION PARTS LIST

ITEM NO.	PART NUMBER	3535	3537	DESCRIPTION
1	4228840.002330	1	1	FINGERPRINT READER MOUNT
2	4228816	1	1	FINGERPRINT READER READER-IQ TECH
3	4228841.000330	1	1	FINGERPRINT READER COVER
4	4228819	4	4	M2.5-.45X5MM PHILLIPS PAN HEAD THREAD ROLLING SCREW
5	8324099.1	1	1	CLAMP - 3/8 X 3/16
6	8800955	2	2	6-32 HEX NUT W/ETW

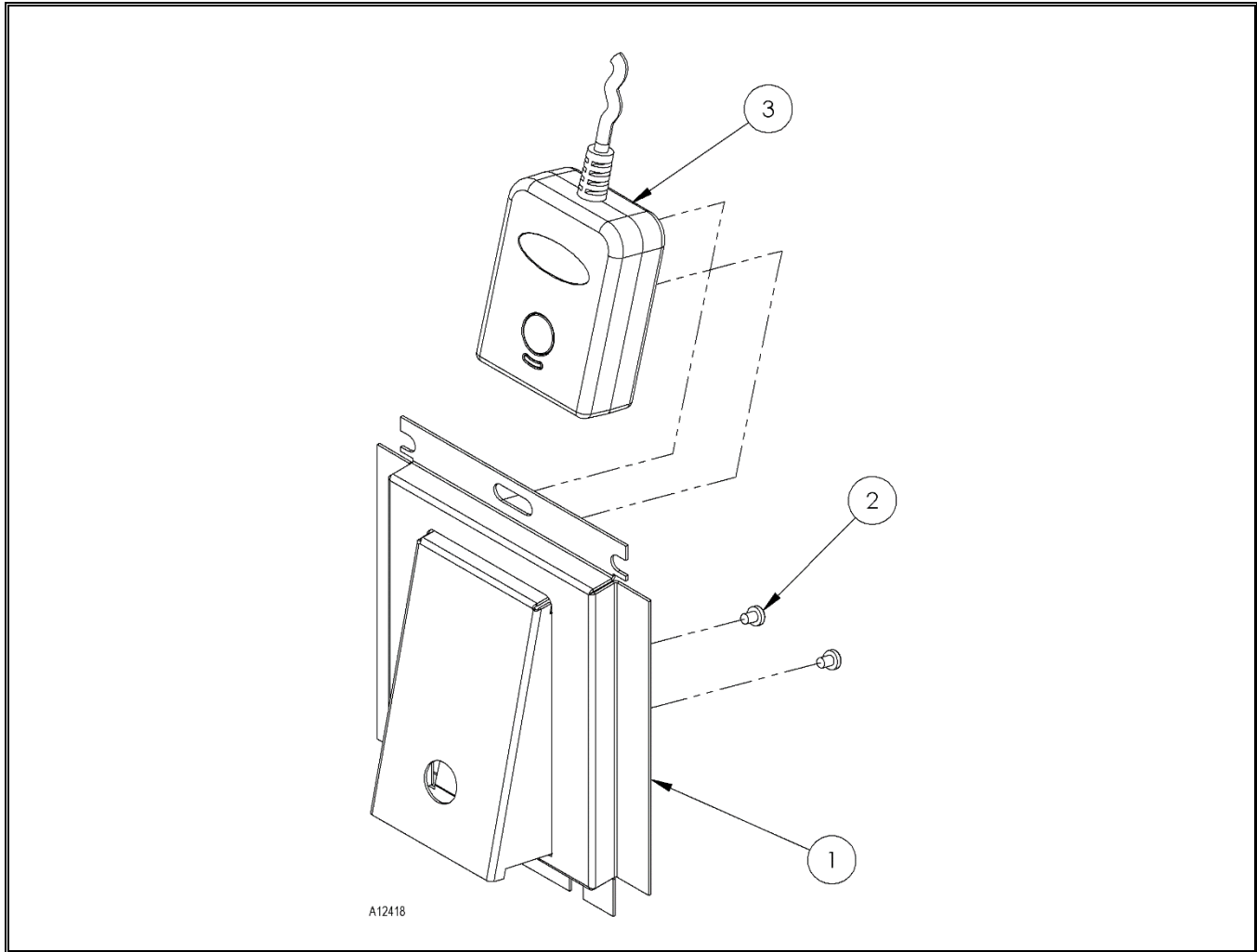
LIST OF PARTS NOT SHOWN

	4228899	1	1	CBM USB CABLE - 2M LONG
--	---------	---	---	-------------------------

* SPECIFY COLOR

AR AS REQUIRED

BARCODE READER OPTION



BARCODE READER OPTION PARTS LIST

ITEM NO.	PART NUMBER	3535	3537	DESCRIPTION
1	1220888.000330	1	1	BARCODE READER MOUNT WELD
2	4221184	2	2	M3 X 4MM PHIL PH MS
3	4227410	1	1	BARCODE READER - RT SCAN

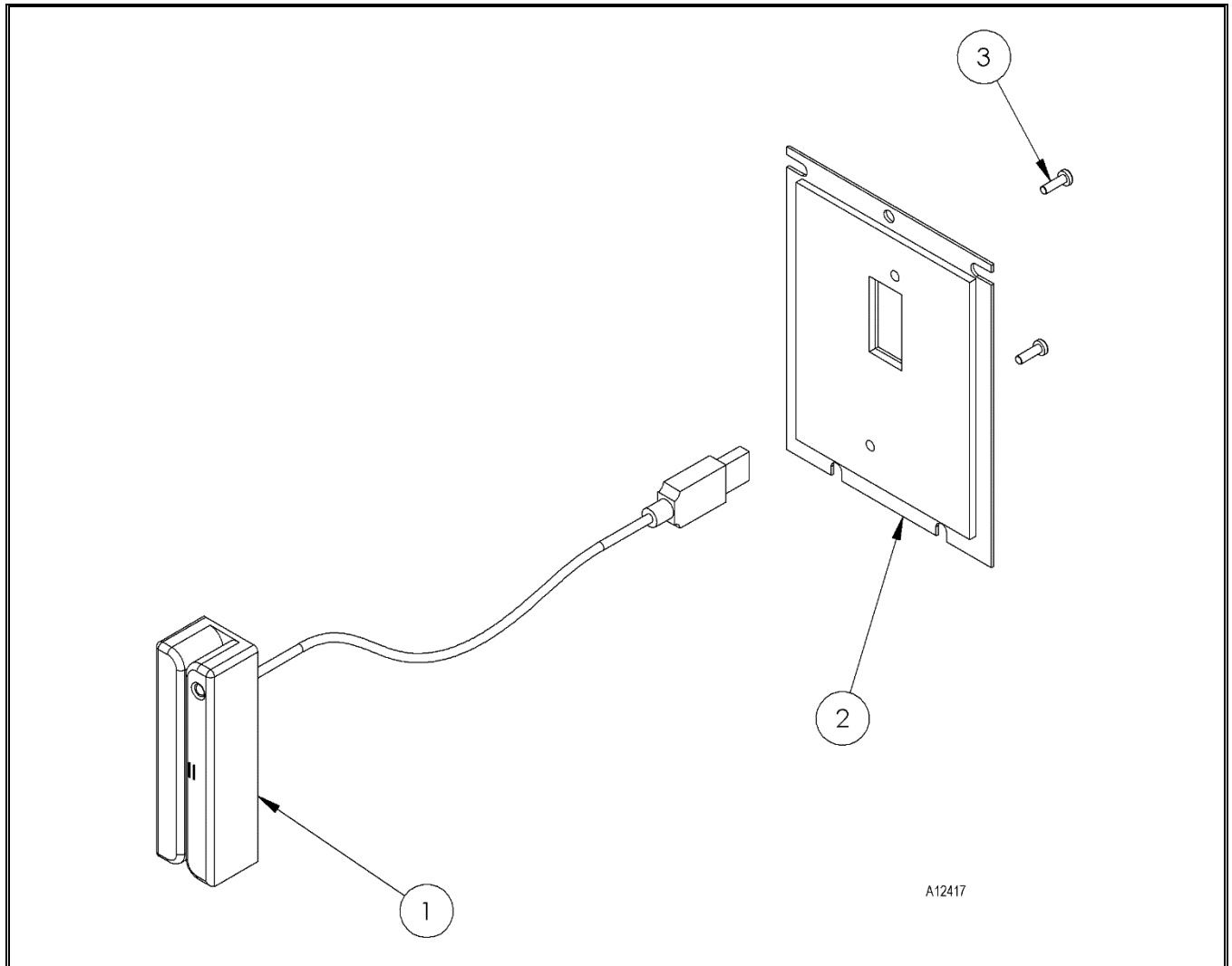
LIST OF PARTS NOT SHOWN

4215548	1	1	10' ETHERNET CBL W/MALE-MALE
4215550	1	1	ETHERNET JACK

* SPECIFY COLOR

AR AS REQUIRED

MAGSTRIPE READER OPTION



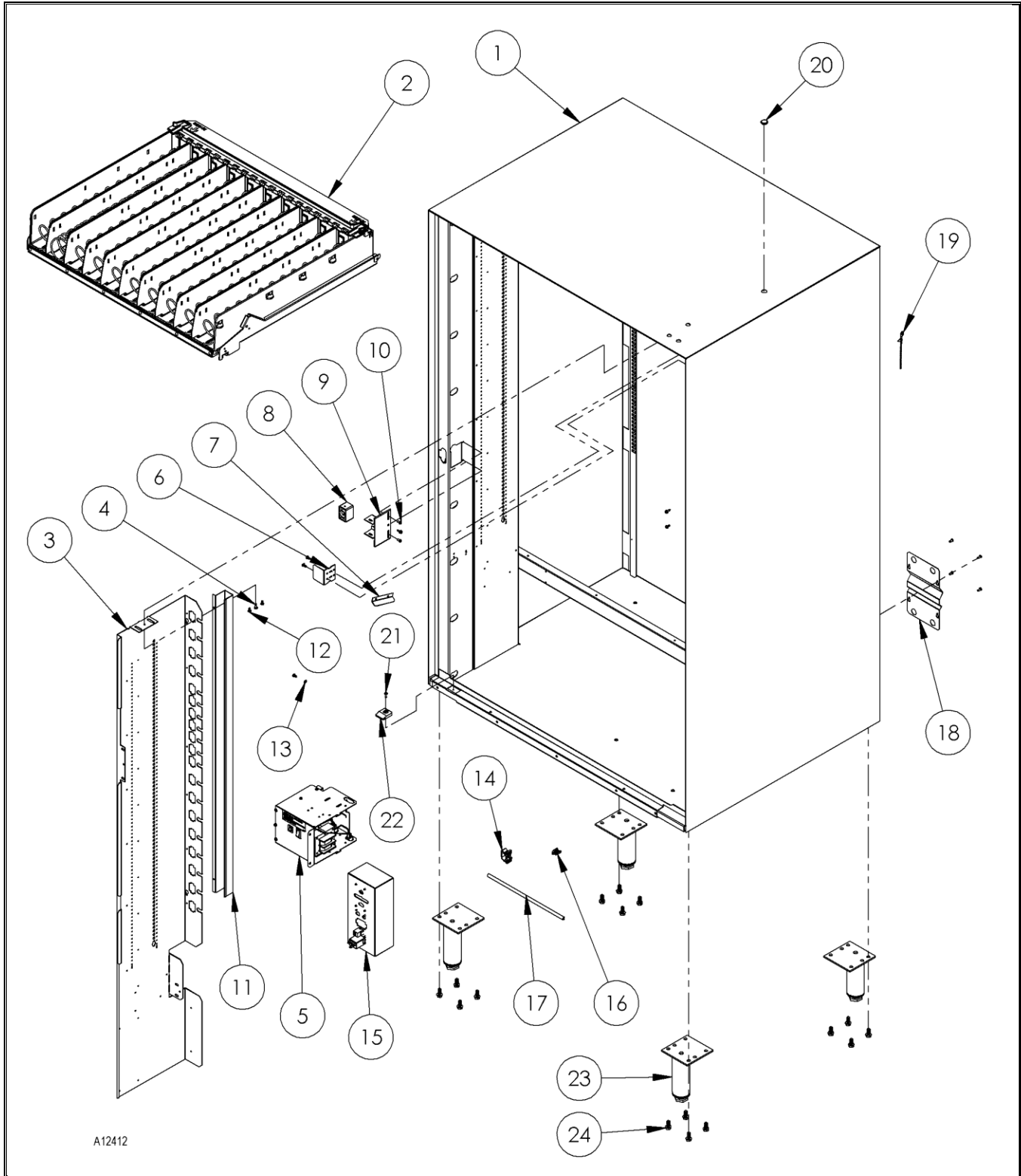
MAGSTRIPE READER OPTION PARTS LIST

ITEM NO.	PART NUMBER	3535	3537	DESCRIPTION
1	4228794	1	1	MAG-STRIPE READER-IQ TECH
2	1221653.000330	1	1	MAG-STRIPE READER-IQ-TECH MOUNT WELD
3	4224580	1	1	M3-0.5 X 10MM PHIL PH MS ZN

* SPECIFY COLOR

AR AS REQUIRED

CABINET ASSEMBLY



* SPECIFY COLOR

AR AS REQUIRED

CABINET ASSEMBLY PARTS LIST

ITEM NO.	PART NUMBER	3535	3537	DESCRIPTION
1	*1221513.000XXX	1	-	CABINET SUB-ASSEMBLY/SD5000 (INCLUDES ITEM #23,24)
	* 1221530.000XXX	-	1	CABINET SUB-ASSEMBLY/SD3000 (INCLUDES ITEM #23,24)
2	SEE PAGE #19	AR	AR	PLASTIC TRAY ASSEMBLY
3	4222472.000330	1	1	RIGHT CABINET PARTITION
4	4050202.001	AR	AR	8-18X1/2 PHILLIPS HEX WASHER HEAD TEK SCREW/BLK
5	SEE PAGE #23	1	1	POWER BOX ASSEMBLY
6	4218204.001	1	1	DOOR SWITCH ACTIVATOR
7	4228353.000330	1	1	CABINET DELIVERY DEFLECTOR
8	4203634	1	1	SPLIT NUT ASSY
9	4222455.000330	1	1	LOCK NUT MOUNT
10	4050239.001	AR	AR	8-32X3/8 PHILLIPS PAN HEAD TYPE-T/BLACK
11	4222476	1	1	HARNESS COVER
12	8800638	AR	AR	10-16X3/8 PHILLIPS PAN HEAD TYPE-B
13	4050585	2	2	#8 EXTERNAL TOOTH LOCKWASHER
14	4216370	1	1	ROUND WIRE CLAMP
15	SEE PAGE #18	1	1	CONNECTION BOX ASSEMBLY
16	4216313	3	3	SADDLE CLAMP
17	4221985	19FT	19FT	D GASKET
18	4213448.000330	1	1	CONNECTION BOX COVER
19	4213784	1	1	PUSH BUTTON WIRE TIE
20	7250135.008	1	1	HOLE PLUG, BPF-5/8"
21	8800636	1	1	8-18X1/2 PHIL PH TYPE-B
22	4025610	1	1	DOOR GLIDE
23	1220522	4	4	TUBULAR LEG & LEVELER BOLT ASSEMBLY
24	8801388	16	16	5/16-18X3/4 HWH TYPE
25	SEE PAGE #21	AR	-	PUSH-IT TRAY ASSEMBLY

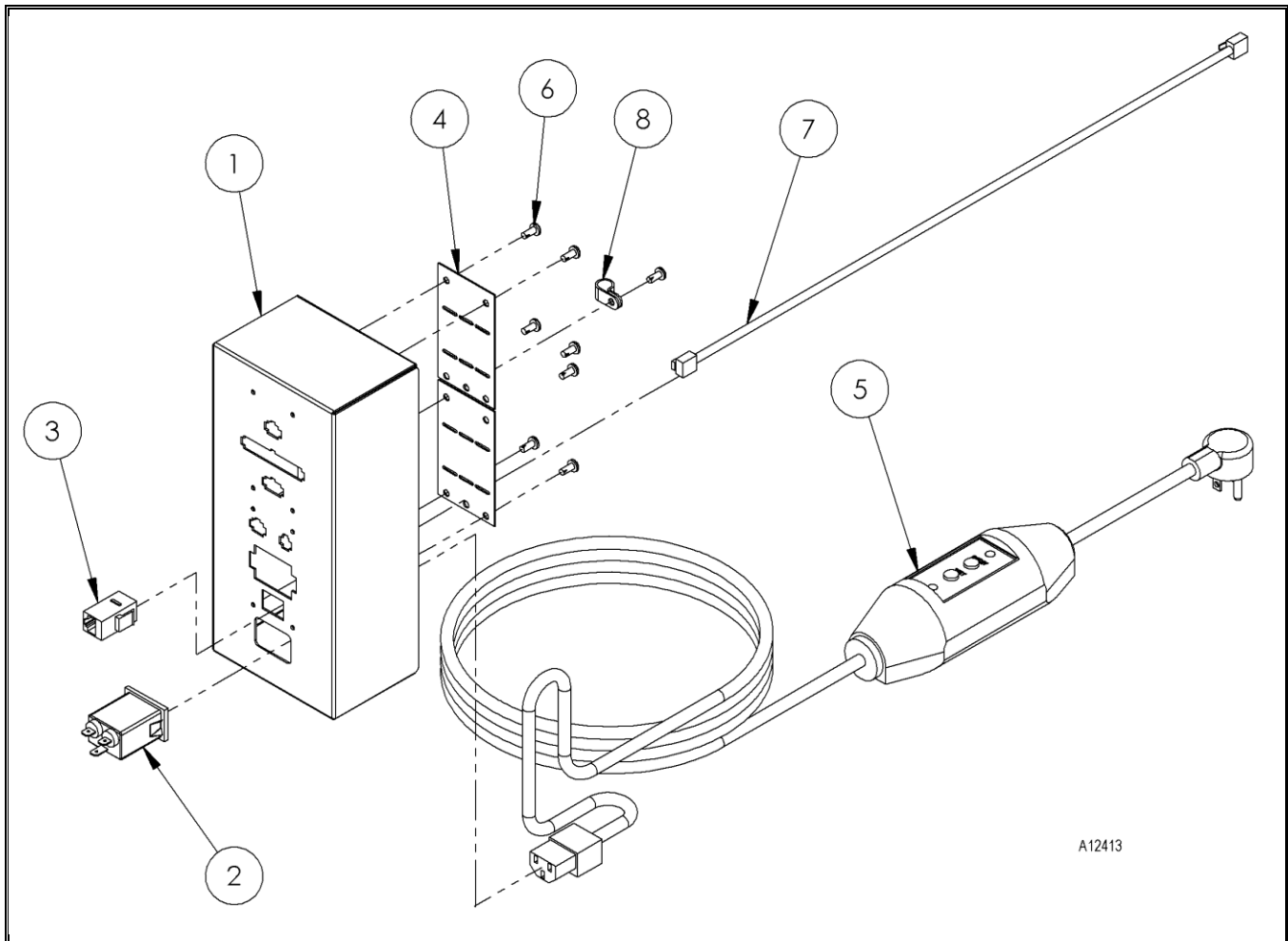
LIST OF PARTS NOT SHOWN

	4216553	1	1	MAIN HARNESS
--	---------	---	---	--------------

* SPECIFY COLOR

AR AS REQUIRED

CONNECTION BOX ASSEMBLY



A12413

CONNECTION BOX ASSEMBLY (110VAC) PARTS LIST

ITEM NO.	PART NUMBER	3535	3537	DESCRIPTION
1	4223404.000330	1	1	CONNECTION BOX
2	4212490.001	1	1	RFI FILTER IEC SOCKET 10AMP
3	4215550	1	1	ETHERNET JACK
4	4217384	2	2	CONNECTION BOX FILLER
5	4216016	1	1	GFCI POWER CORD
6	4050239.001	10	10	8-32X3/8" PHILLIPS PAN HEAD TYPE -T, BLACK
7	4215548.003	1	1	7' ETHERNET CABLE W/MALE-MLE
8	8324099.4	1	1	CLAMP - 3/8 X 3/8

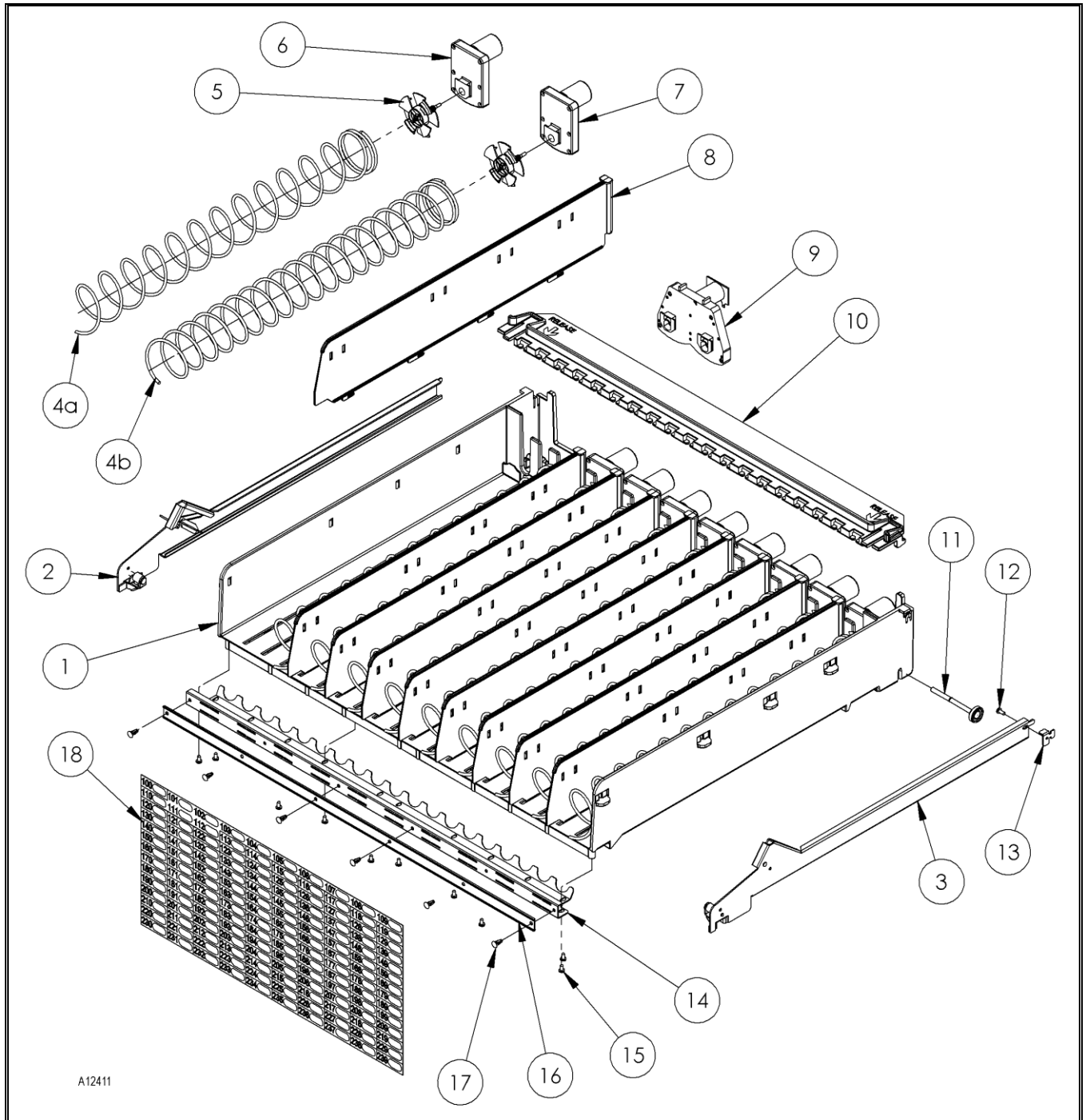
LIST OF PARTS NOT SHOWN

4216298	1	1	POWER HARNESS
4213759	1	1	POWER CORD NON-GFCI

* SPECIFY COLOR

AR AS REQUIRED

PLASTIC TRAY ASSEMBLY



A12411

* SPECIFY COLOR

AR AS REQUIRED

PLASTIC TRAY ASSEMBLY PARTS LIST

ITEM NO.	PART NUMBER	3535	3537	DESCRIPTION
1	1219043.015	AR	-	PLASTIC TRAY SUB-ASSEMBLY/5W/WS
	1219043.013	-	AR	PLASTIC TRAY SUB-ASSEMBLY/3W/WS
2	1215925.001	AR	AR	RAIL ASSEMBLY LONG LEFT
3	1215925	AR	AR	RAIL ASSEMBLY LONG RIGHT
4a	SEE PAGE #22	AR	AR	AUGER – LEFT (CCW)
4b		AR	AR	AUGER – RIGHT (CW)
5	4209502	AR	AR	AUGER COUPLING - GRAY
6	4034388	AR	AR	24 VDC MOTOR-360 DEGREE / CCW
7	4034388.002	AR	AR	24 VDC MOTOR-360 DEGREE / CW
8	4210732.001	AR	AR	TRAY DIVIDER 5W PLASTIC TRAY
9	4205436			DUAL HELIX MOTOR 24VDC
10	4210731.005	AR	-	MOTOR COVER 5W TRAY
	4210731.003	-	AR	MOTOR COVER 3W TRAY
11	4221188	AR	AR	ROLLER - 5W TRAY
12	4050239.001	AR	AR	8-32X3/8 PHILLIPS PAN HEAD TYPE-T/BLACK
13	4216146	2	2	TRAY RAIL BRACKET
14	4226220.000309	AR	-	TRAY FRONT-PLASTIC TRAY/5W
	4226324.000309	-	AR	TRAY FRONT-PLASTIC TRAY/3W
15	8801322	AR	AR	8-18X1/2 PHILLIPS PAN HEAD HI-LO SCREW
16	4221359.015	AR	-	LABEL HOLDER W/O SCROLLS-5W
	4221359.013	-	AR	LABEL HOLDER W/O SCROLLS-3W
17	4205329	AR	AR	ARROW CLIP
18	4228455	1	1	3-DIGIT SELECTION LABEL SET

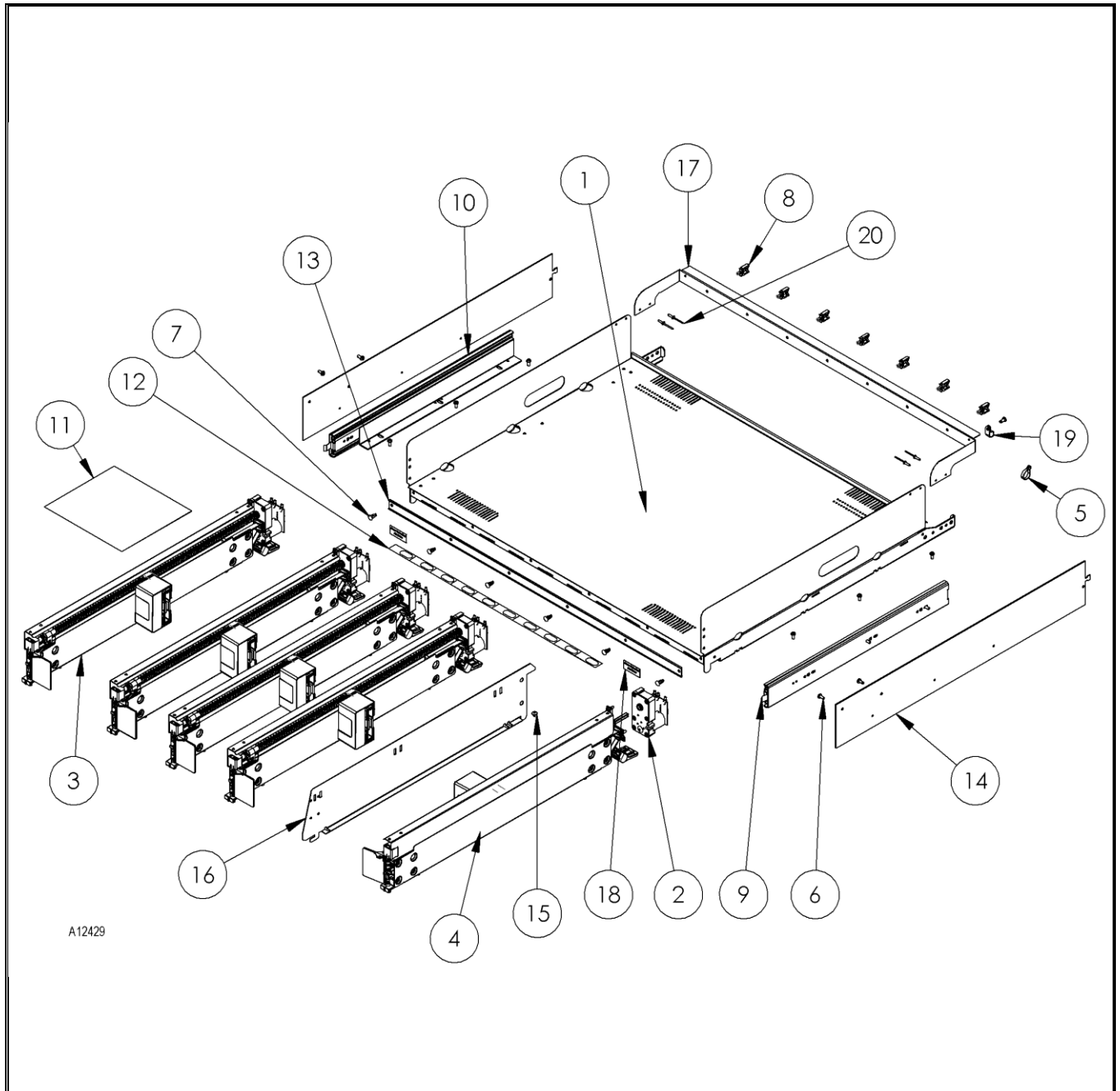
LIST OF PARTS NOT SHOWN

	4203508.005	AR	-	TRAY HARNESS – 5W
	4203508.003	-	AR	TRAY HARNESS – 3W

* SPECIFY COLOR

AR AS REQUIRED

PUSH-IT TRAY ASSEMBLY



* SPECIFY COLOR

AR AS REQUIRED

PUSH-IT TRAY ASSEMBLY PARTS LIST

ITEM NO.	PART NUMBER	3535	3537	DESCRIPTION
1	1219568.000330	AR	-	TRAY WELD PUSH-IT – 5W
2	1219785	AR	AR	MOTOR ASSEMBLY
3	1220444.001	AR	AR	PUSH-IT LEFT W/MOTOR
4	1220444.003	AR	AR	PUSH-IT RIGHT W/MOTOR
5	4033712	AR	AR	CABLE TIE 7 3/8"
6	4050239.001	AR	AR	8-32X3/8 PHL PH TY-23
7	4205329	AR	AR	ARROW CLIP
8	4216313	AR	AR	SADDLE CLAMP
9				
10				
11	4217265	AR	AR	SELECTION DECAL/110-199
12	4218816.001	AR	AR	SELECTION SCROLL COVER/80 - 98
13	4221359.005	AR	AR	LABEL HOLDER
14	4221617.000330	AR	AR	SLIDE TRAY MOUNTING
15	4223603.001	AR	AR	8-32 X 1/4 TYP 23 SS
16	4224798.000330	AR	AR	TRAY DIVIDER
17	4225930.000330	AR	AR	HARNESS SUPPORT BRACKET
18	4220500	AR	AR	PRESS SELECTION FOR PRICE/ENGLISH
19	8324099.1	AR	AR	CLAMP – 3/8 x 3/16
20	4050667	AR	AR	1/8 X .250 ALUM POP

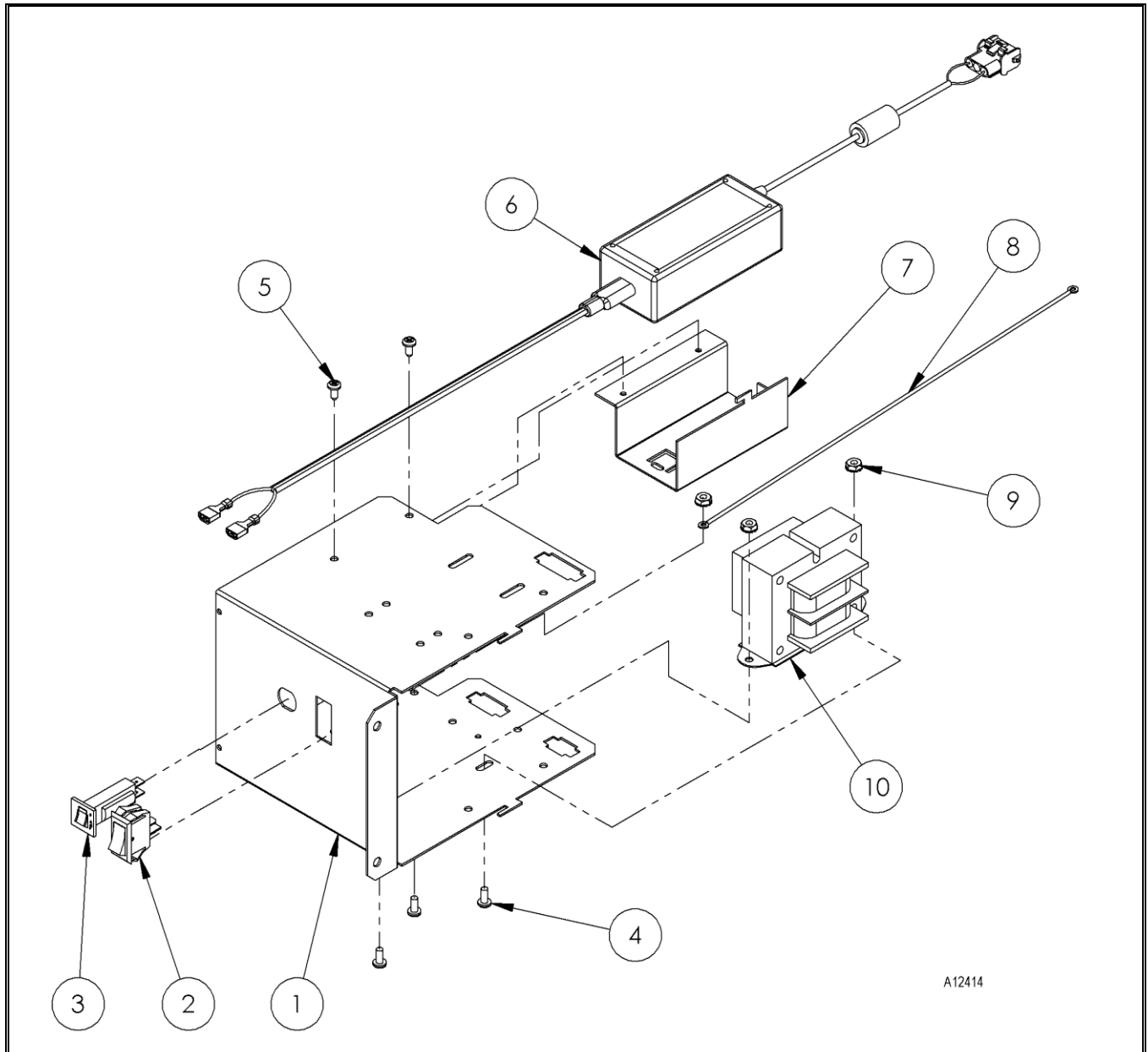
LIST OF PARTS NOT SHOWN

	4203508.005	AR	AR	TRAY HARNESS (WS5000/EVOKE5)
	4227941	1	1	PUSH-IT INSTALLATION SERVICE/PARTS MANUAL (5 OR LESS [USH-IT MODULES PER TRAY])

* SPECIFY COLOR

AR AS REQUIRED

POWER BOX ASSEMBLY (110V)



A12414

POWER BOX ASSEMBLY (110V) PART LIST

ITEM NO.	PART NUMBER	3535	3537	DESCRIPTION
1	4216153	1	1	POWER BOC
2	4202088	1	1	SWITCH – ROCKER
3	4203467.003	1	1	3 AMP CIRCUIT BREAKER
4	4050240	3	3	8-32X3/8 PHILLIPS PAN HEAD MACHINE SCREW
5	4050423	2	2	8-18X3/8 PHILLIPS PAN HEAD TYP-A SCREW
6	4219620	1	1	12VDC 36W POWER SUPPLY
7	4220943	1	1	LED POWER SUPPLY MOUNT

* SPECIFY COLOR

AR AS REQUIRED

ITEM NO.	PART NUMBER	3535	3537	DESCRIPTION
8	121465.003	1	1	13" GROUND WIRE
9	8800956	3	3	8-32 HEX NUT W/EXTERNAL TOOTH LOCKWASHER
10	4216297.004	1	1	TRANSFORMER – 110V

LIST OF PARTS NOT SHOWN

	4220944	1	1	LED POWER SUPPLY JUMPER
--	---------	---	---	-------------------------

* SPECIFY COLOR

AR AS REQUIRED

OPTIONAL SPIRALS

SINGLE SPIRAL - CCW PART NUMBER	DUAL SPIRAL - CW PART NUMBER	SPIRAL SIZE	SPIRAL COUNT	ESTIMATED PRODUCT SIZE INCHES (MM)
4200272.100309	4205532.100309	Candy	15	1.22 (31)
4200272.101309	4205532.101309	Candy	18	1.00 (25)
4200272.102309	4205532.102309	Candy	24	0.71 (18)
4200272.103309	4205532.103309	Candy	30	0.51 (13)
4200272.104309	4205532.104309	Candy	12	1.55 (39)
4200272.105309	4205532.105309	Candy	9	2.10 (53)
4200272.106309	4205532.106309	Candy	6	3.16 (80)
4200272.107309		Snack	10	1.89 (48)
4200272.108309		Snack	12	1.55 (39)
4200272.109309		Snack	15	1.22 (31)
4200272.110309		Snack	7	2.71 (69)
4200272.111309		Snack	8	2.37 (60)
4200272.131309	4205532.131309	Candy	10	1.89 (48)
4200272.132309	4205532.132309	Candy	11	1.72 (44)
4200272.133309		Snack	30	0.51 (13)
4200272.134309	4205532.134309	Snack	18	1.00 (25)
4200272.137309		Snack	11	1.72 (44)
4200272.138309		Snack	6	3.16 (80)
4200272.139309		Snack	5	3.50 (89)
4200272.140309		Snack	12	1.63 (41)
4200272.141309		Candy	29 1/2	0.52 (13)
4200272.142309	4205532.142309	Candy	8	2.37 (60)
4200272.143309	-	Candy	30	.51 (13)
4200272.145309	4205532.145309	Candy	5	3.50 (89)
4200272.147309	4205532.147309	Candy	4	4.38 (111)
4200272.148309	4205532.148309	Candy	3	5.80 (147)
4200272.153309	4205532.153309	Candy	7	2.71 (69)
4202313.100309		G&M	18/36	1.00 (25)
4202313.102309		G&M	24/48	0.71 (18)
4202313.103309		G&M	30/60	0.50 (13)
4202313.104309		G&M	24/48	0.71 (18)
4202313.105309		G&M	18/36	1.00 (25)
4202313.106309		G&M	15/30	1.22 (31)
4202313.107309		G&M	20/40	0.86 (22)
4202313.108309		G&M	12/24	1.55 (39)

* SPECIFY COLOR

AR AS REQUIRED

NOTES

The contents of this publication are presented for informational purposes only, and while every effort has been made to ensure their accuracy, they are not to be construed as warranties or guarantees, express or implied, regarding the products or services described herein or their use or applicability. We reserve the right to modify or improve the designs or specifications of such products at any time without notice.



VendNet™

8040 University Boulevard
Des Moines, IOWA 50235
United States of America



	USA & Canada	International
Service	(800) 833-4411	(515) 274-3641
Parts	(888) 259-9965	
Email	vendnet@vendnetusa.com	
Web Site	www.vendnetusa.com	