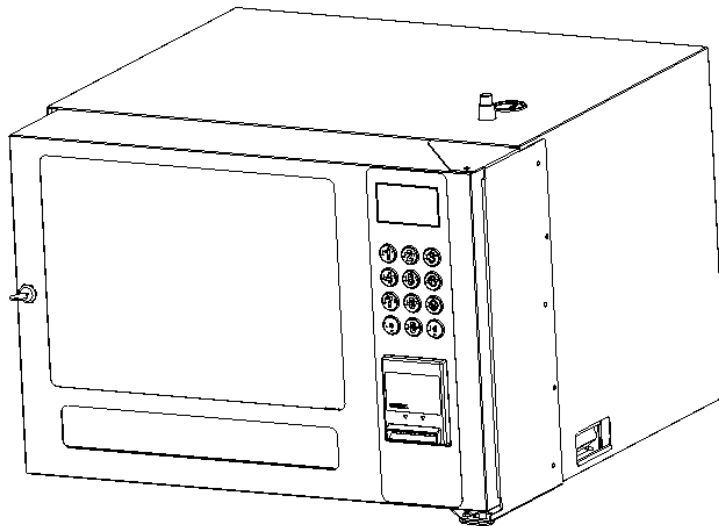




COFFEE POD VENDOR PARTS MANUAL



MODELS:

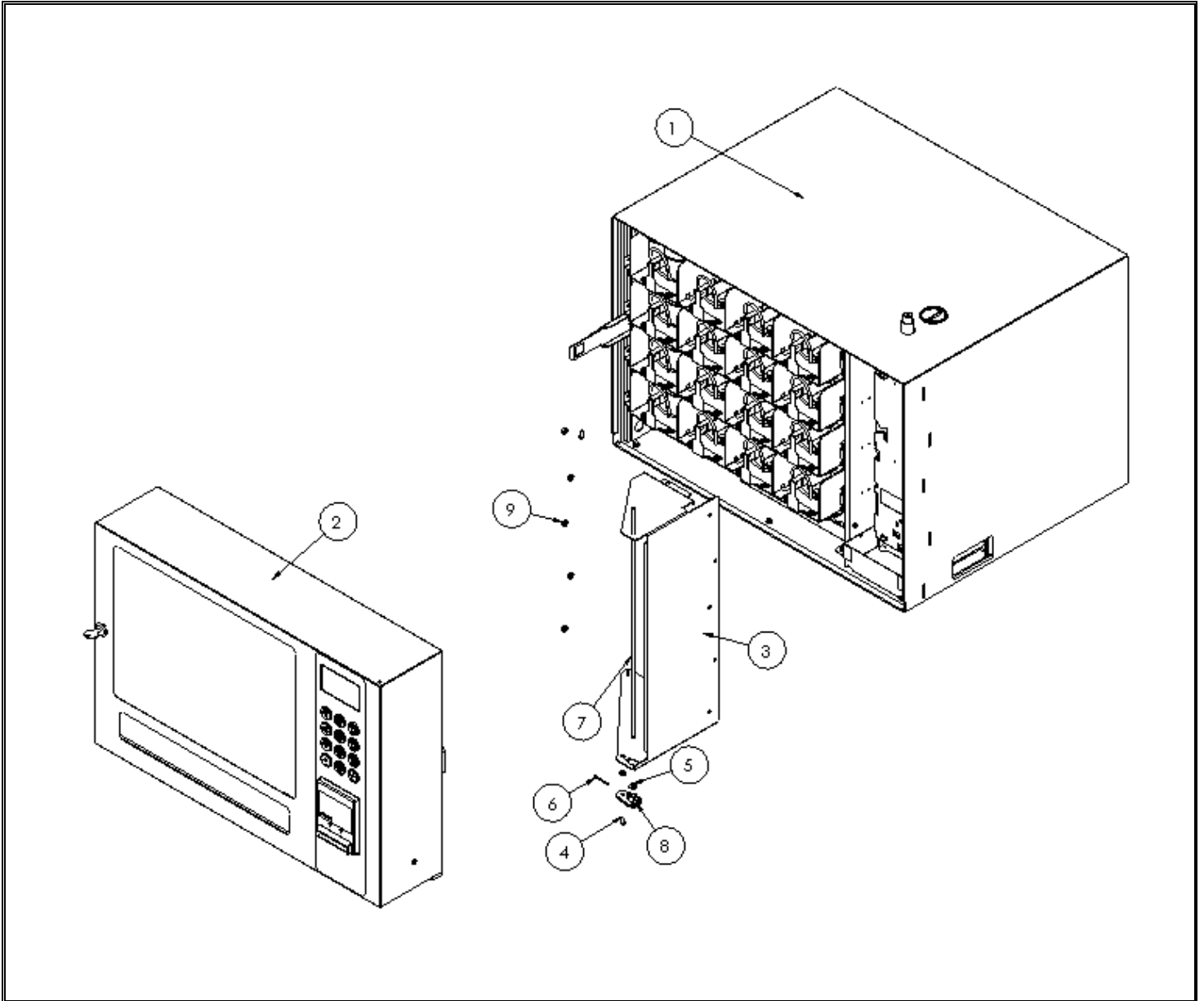
3596 (115 VOLT)

3596A (230 VOLT)

TABLE OF CONTENTS

FINAL ASSEMBLY	1
<i>FINAL ASSEMBLY PARTS LIST</i>	1
CABINET ASSEMBLY	2
<i>CABINET ASSEMBLY PARTS LIST</i>	3
DOOR ASSEMBLY	4
<i>DOOR ASSEMBLY PARTS LIST</i>	5
TRAY ASSEMBLY	6
<i>TRAY ASSEMBLY PARTS LIST</i>	6
POWER PANEL ASSEMBLY	6
<i>POWER PANEL ASSEMBLY PART LIST</i>	7
TOP LED ASSEMBLY	8
<i>TOP LED ASSEMBLY PARTS LIST</i>	8
COIN MECH SLIDE ASSEMBLY	9
<i>COIN MECH SLIDE ASSEMBLY PARTS LIST</i>	9

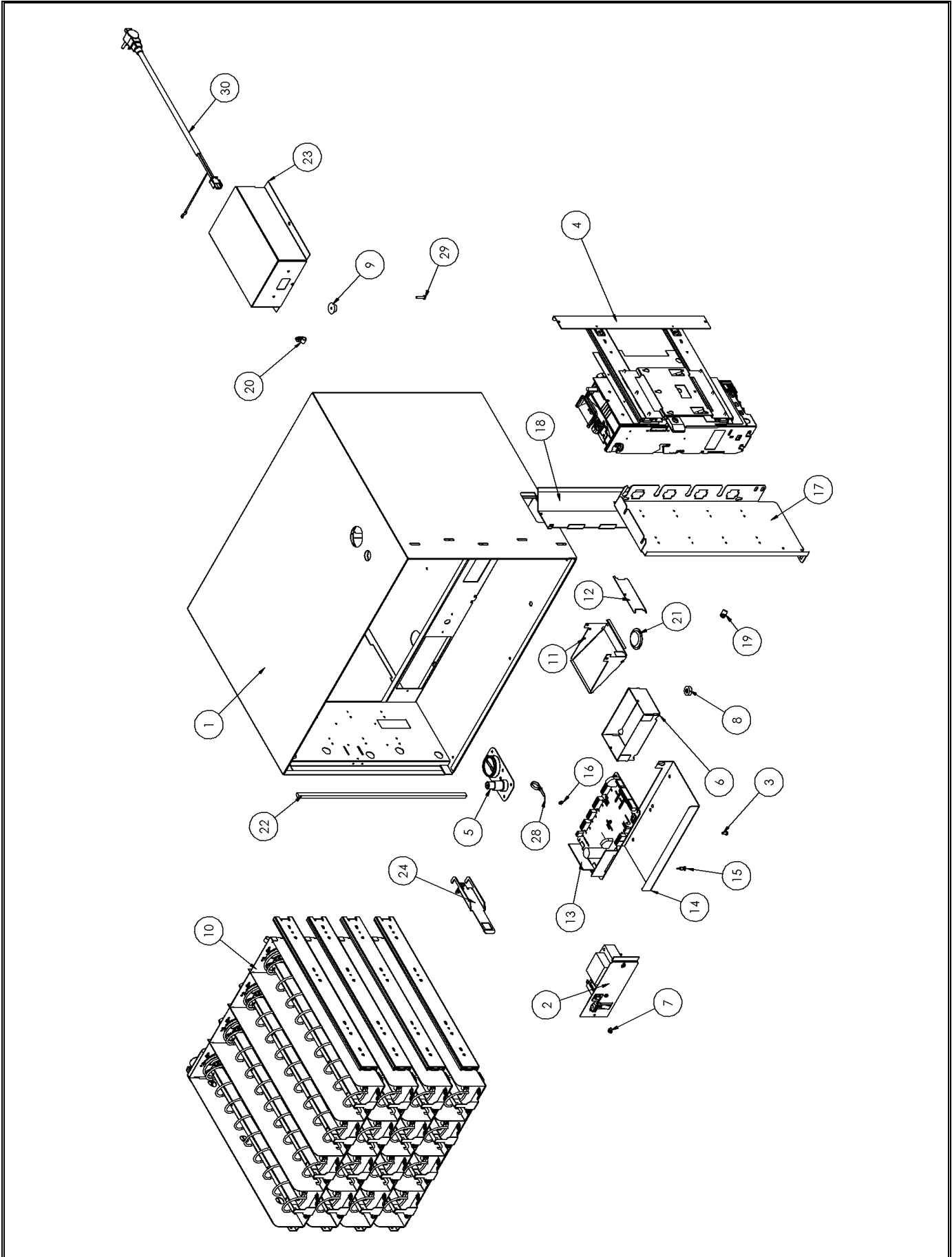
FINAL ASSEMBLY



FINAL ASSEMBLY PARTS LIST

ITEM NO.	PART NUMBER	QTY	DESCRIPTION
1	(SEE PAGE # 2)	1	CABINET ASSEMBLY
2	(SEE PAGE # 4)	1	DOOR ASSEMBLY
3	4224175.001XXX	1	HINGE STAKE (SPECIFY COLOR)
4	4050239.001	A/R	#8-32X 3/8" PHIL PH TYP 23 - BLACK
5	4203029	1	WASHER (PLASTIC)
6	4215560	1	5/64 X 1" COTTER PIN
7	4224183	1	HINGE PIN
8	4224305	1	BOTTOM HINGE BLOCK
9	8800956	A/R	#8-32 HEX NUT W/ETW
10	4206816	1	SAFETY MANUAL (NOT SHOWN)
11	4224343	1	SERVICE MANUAL (NOT SHOWN)

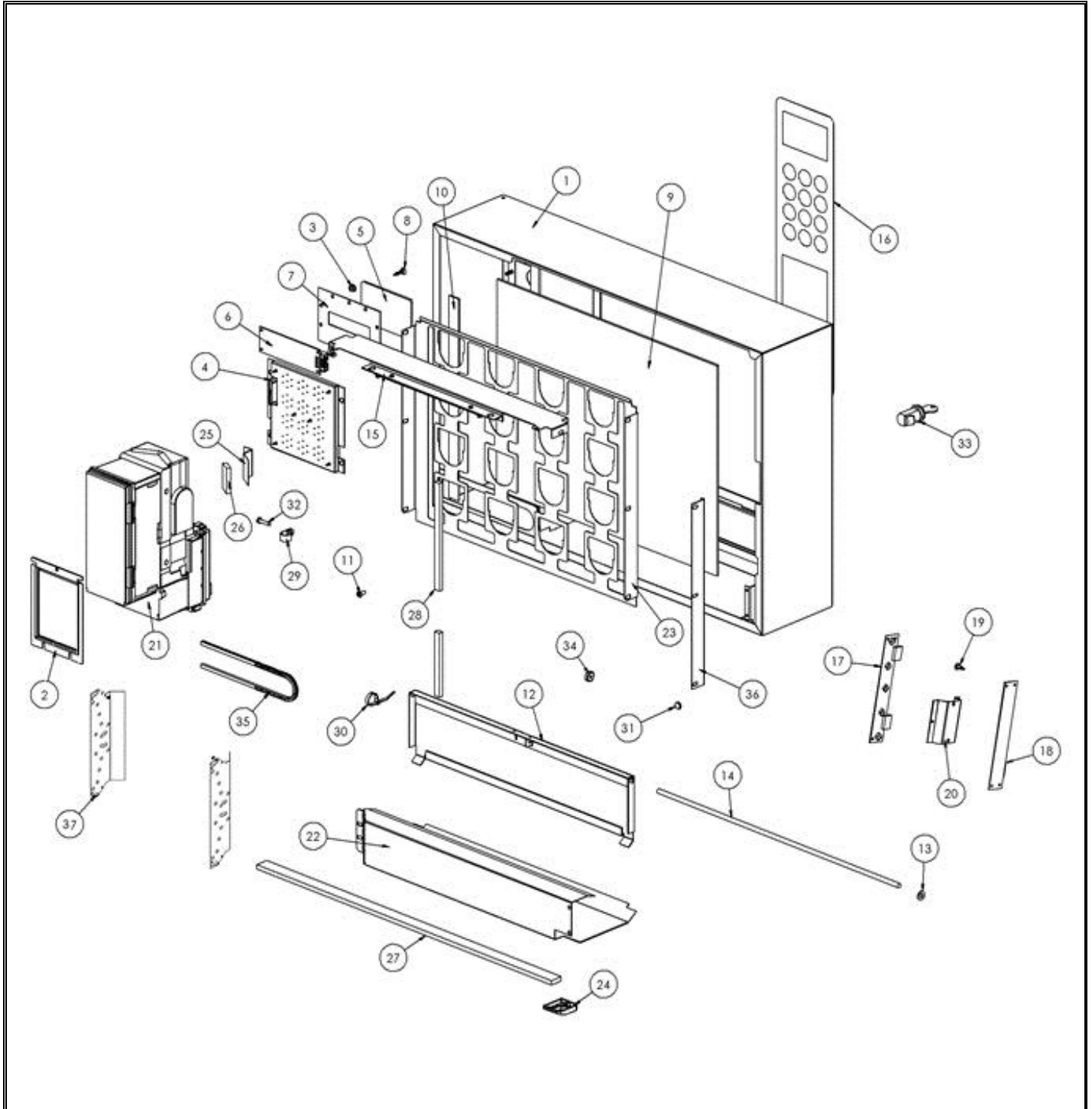
CABINET ASSEMBLY



CABINET ASSEMBLY PARTS LIST

ITEM NO.	PART NUMBER	QTY	DESCRIPTION
1	1219628.000XXX	1	CABINET WELD (SPECIFY COLOR)
2	(SEE PAGE # 7)	1	POWER PANEL ASSEMBLY
3	4050239.001	A/R	#8-32 X 3/8" PHIL PH TYP 23 BLACK
4	(SEE PAGE # 9)	1	COIN MECH SLIDE ASSEMBLY
5	1219697	1	COIN INSERT ASSEMBLY
6	4224135.001330	1	COIN BOX
7	8800956	A/R	8-32 HEX NUT W/ETW
8	4224426	5	GLIDE FOOT
9	4217774	2	BUMPER
10	(SEE PAGE # 6)	4	TRAY ASSEMBLY
11	4224142.000330	1	COIN CUP
12	4224143.000330	1	COIN CUP DOOR
13	4214682.004	1	GVC2 CONTROL BOARD
14	4224151.000330	1	CONTROL BOARD MOUNT
15	4206879	5	BOARD STANDOFF
16	4050585	2	#8 EXT SHAKEPROOF LOCKWASHER
17	4224128.000330	1	CABINET PARTITION
18	4224180.000330	1	TRAY HARNESS COVER
19	8324099.6	1	3/8" X 1/2" CLAMP
20	8324099.3	1	3/8" X 5/16" CLAMP
21	7250135.000	2	HOLE PLUG – 1 3/8"
22	4223278	A/R	GASKET – MAIN DOOR
23	4224309.000330	1	POWER CORD ENCLOSURE
24	4224136.000330	1	LOCK CATCH
25			
26	4224339	1	MAIN HARNESS (NOT SHOWN)
27	4224340	1	KEYPAD & DISPLAY HARNESS (NOT SHOWN)
28	4033712	5	CABLE TIE 7 3/8"
29	4050262	2	#8-32 X 3/4" PPHD SCREW
30	4217764	1	POWER CORD (USA – 115VAC) (WILL VARY WITH COUNTRY/VOLTAGE)

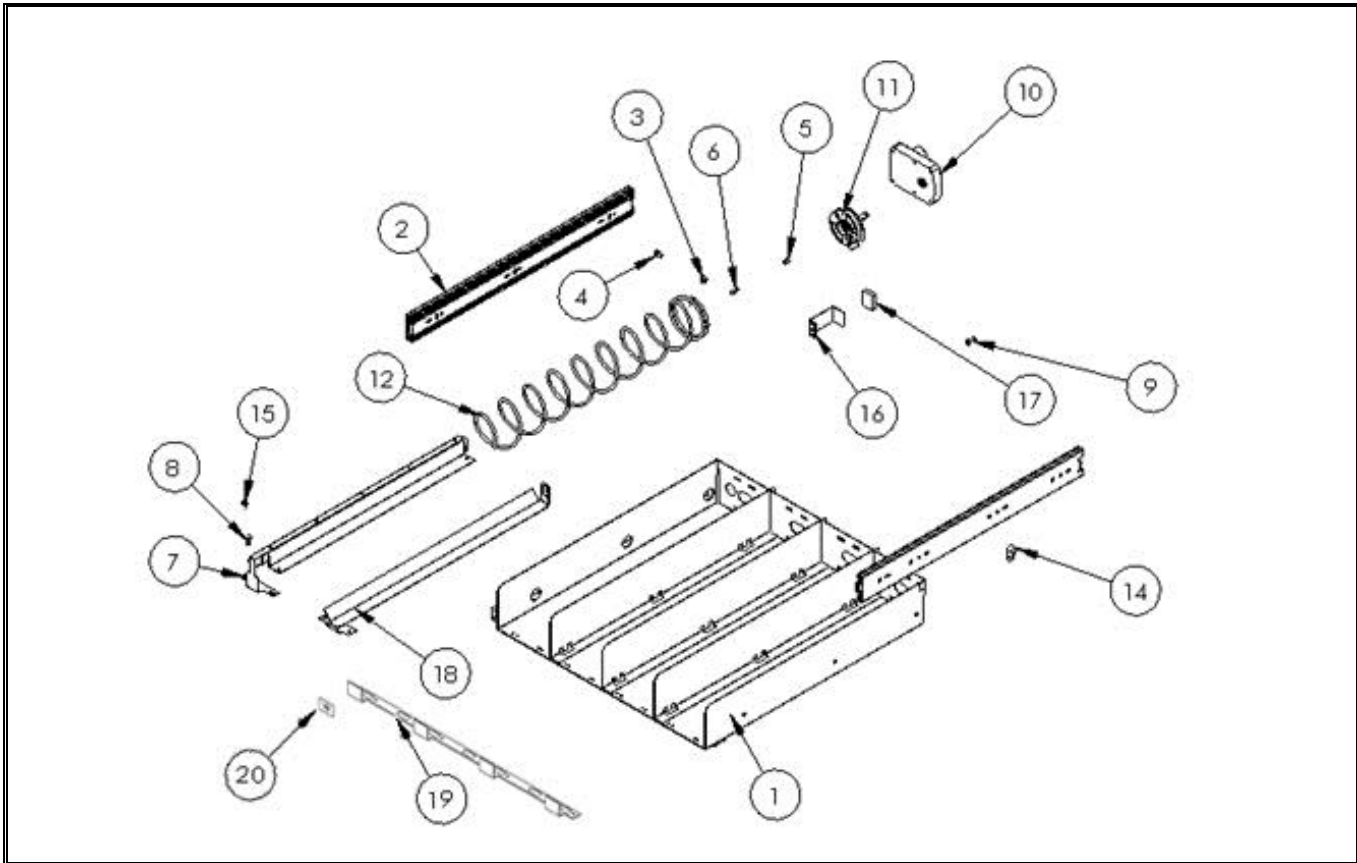
DOOR ASSEMBLY



DOOR ASSEMBLY PARTS LIST

ITEM NO.	PART NUMBER	QTY	DESCRIPTION
1	1219928.000XXX	1	DOOR WELD (SPECIFY COLOR)
2	4217573	OPT	PERIPHERAL FILLER (NO BILL VALIDATOR FILLER)
3	8800956	A/R	8-32 HEX NUT W/ETW
4	1216670.002	1	KEYPAD ASSEMBLY
5	4202841.009	1	READOUT WINDOW / BLUE
6	4223427	1	VF DISPLAY
7	4224117.000330	1	DISPLAY MOUNT
8	4211310.375	4	BOARD STANDOFF
9	4224123	1	WINDOW
10	4217577.003	A/R	FOAM TAPE (WINDOW)
11	4050239.001	A/R	#8-32 X 3/8" PHIL PH TYP 23 BLACK
12	1219740.000330	1	DELIVERY DOOR WELD
13	4203029	2	WASHER (PLASTIC)
14	4224314	1	DELIVERY ROD
15	(SEE PAGE # 9)	1	TOP LED ASSEMBLY
16	4224126.XXX	1	DOOR DECAL (SPECIFY COLOR)
17	4212464.010	1	DELIVERY SENSOR
18	PART OF 18	1	DELIVERY SENSOR
19	4220025	8	STANDOFF
20	4224316.000330	1	DOOR CATCH DEFLECTOR
21	OPTIONAL	OPT	BILL VALIDATOR
22	4224121.000330	1	DELIVERY CHUTE
23	4224191.001	1	K-CUP DISPLAY
24	4025610	1	DOOR GLIDE
25	4224194.000330	1	COIN MECH PUSHER
26	4202255	A/R	FOAM TAPE (3/4" WIDE)
27	4202255	A/R	FOAM TAPE (3/4" WIDE)
28	4223278	A/R	GASKET – MAIN DOOR
29	8324099.6	1	3/8" X 1/2 " CLAMP
30	4033712	1	CABLE TIE 7 3/8"
31	4218906	1	MAGNET
32	4050262	1	#8-32 X 3/4" PPHD SCREW
33	4224116	1	SPRING DOOR LOCK
34	4215272	2	HINGED SCREW COVER
35	4033652.500	A/R	EXTRUDED GROMMET
36	4224620.000330	2	WINDOW RETAINER (OPTION W/O K-CUP DISPLAY)
37	1216062.309	OPT	I-VEND BRACKET COVER KIT

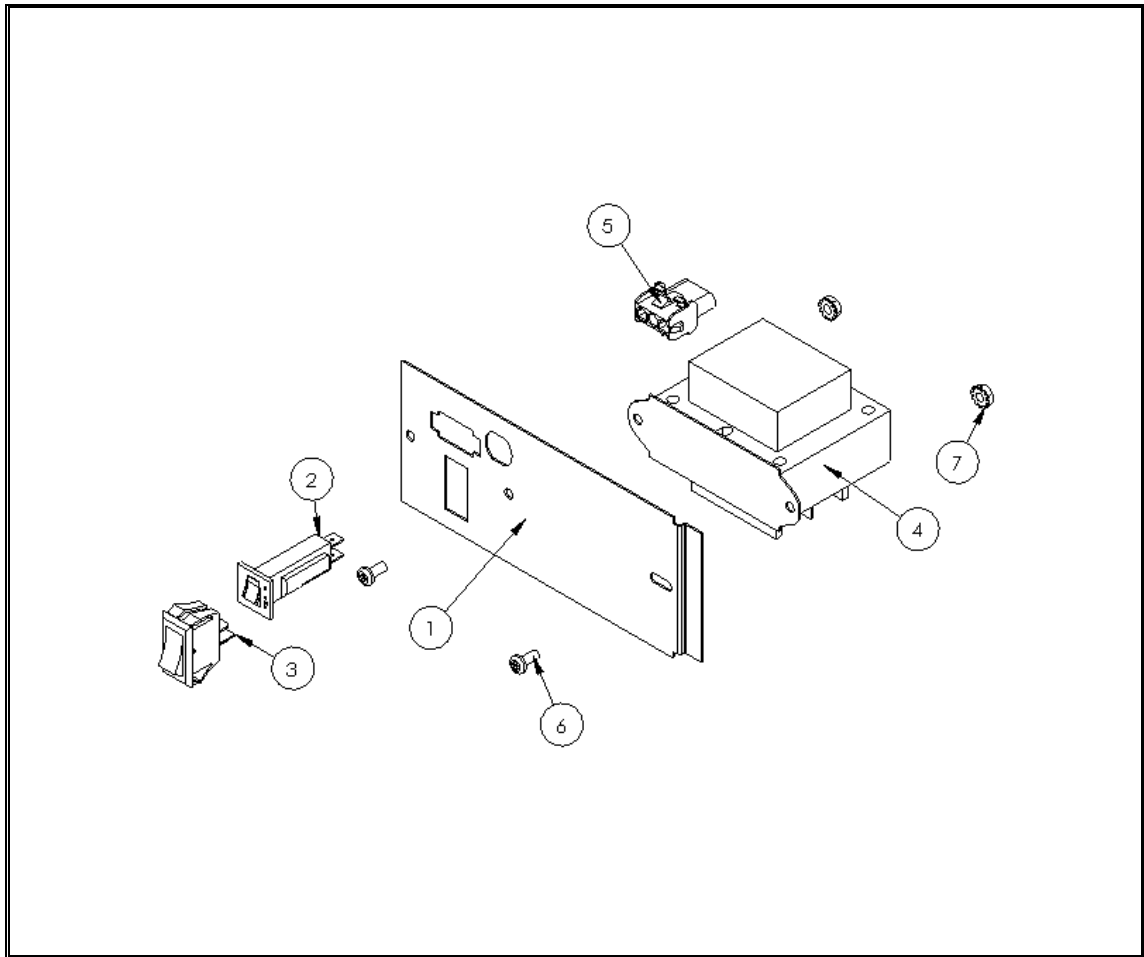
TRAY ASSEMBLY



TRAY ASSEMBLY PARTS LIST

ITEM NO.	PART NUMBER	QTY	DESCRIPTION
1	1219688.000330	1	TRAY WELD
2	4224311	2	ROLLER SLIDE
3	8800956	6	8-32 HEX NUT W/ETW
4	4050239.001	7	#8-32 X 3/8" PHIL PH TYP 23 BLACK
5	4224186	4	SHOULDER WASHER
6	8800631	4	#6-18 X 1/2" PHIL PH SCREW
7	4224137.000330	OPT	DIVIDER SPLITTER – K CUP
8	4205329	OPT	ARROW CLIP (2 PER ITEM 7)
9	8800636	8	#8-18 X 1/2" PHIL PH SCREW
10	4219909.001	OPT	MOTOR ASSEMBLY (180 DEGREE ROTATION – K CUP)
	4219909	OPT	MOTOR ASSEMBLY (360 DEGREE ROTATION – TASSIMO)
11	4216378	4	SPRIAL ADAPTER
12	4211397.001309	OPT	SPIRAL – K CUP
	4211397.004309	OPT	SPIRAL – TASSIMO (SKINNY)
	4200272.113309	OPT	SPIRAL – TASSIMO (THICK)
13	4224352	1	TRAY HARNESS (NOT SHOWN)
14	8324099.3	1	3/8" X 5/16" CLAMP
15	4219908	8	#8-18 X 3/16 PPHD TYP F SCREW
16	4224581.000330	1	TRAY MOTOR STOP
17	4202255	A/R	GASKET 1/4"
18	4224507.000330	OPT	TASSIMO ADAPTER
19	4224615.000330	OPT	SELECTION IDENTIFIER MOUNT
20	4222043	OPT	SELECTION DECAL - SELECTION

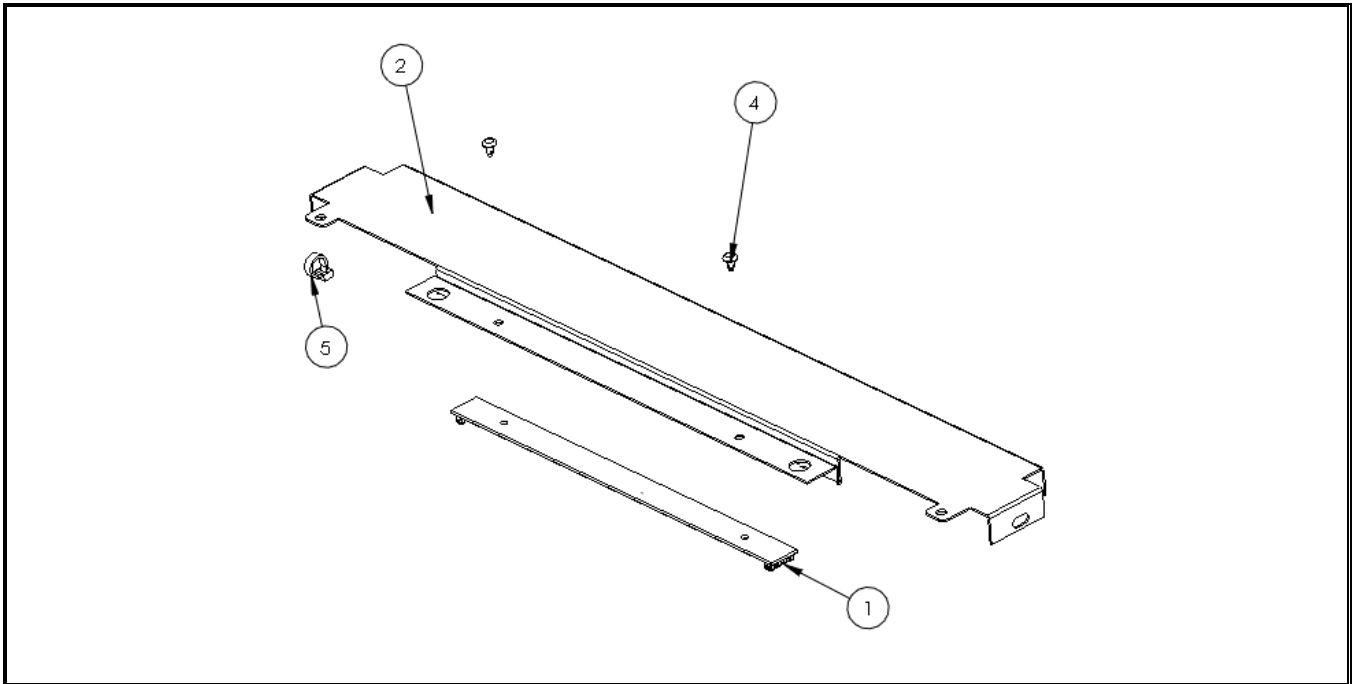
POWER PANEL ASSEMBLY



POWER PANEL ASSEMBLY PART LIST

ITEM NO.	PART NUMBER	QTY	DESCRIPTION
1	4224134.000330	1	POWER PANEL DOOR
2	4203467.003	1	3 AMP CIRCUIT BREAKER
3	4202088	1	SWITCH-ROCKER
4	4216297.004	A/R	TRANSFORMER (115VAC)
	4216297.005	A/R	TRANSFORMER (230VAC)
5			CONNECTOR PART OF ITEM 4
6	4050239.001	2	#8-32 X 3/8" PHIL PH TYP 23 BLACK
7	8800956	3	#8-32 HEX NUT W/ETW

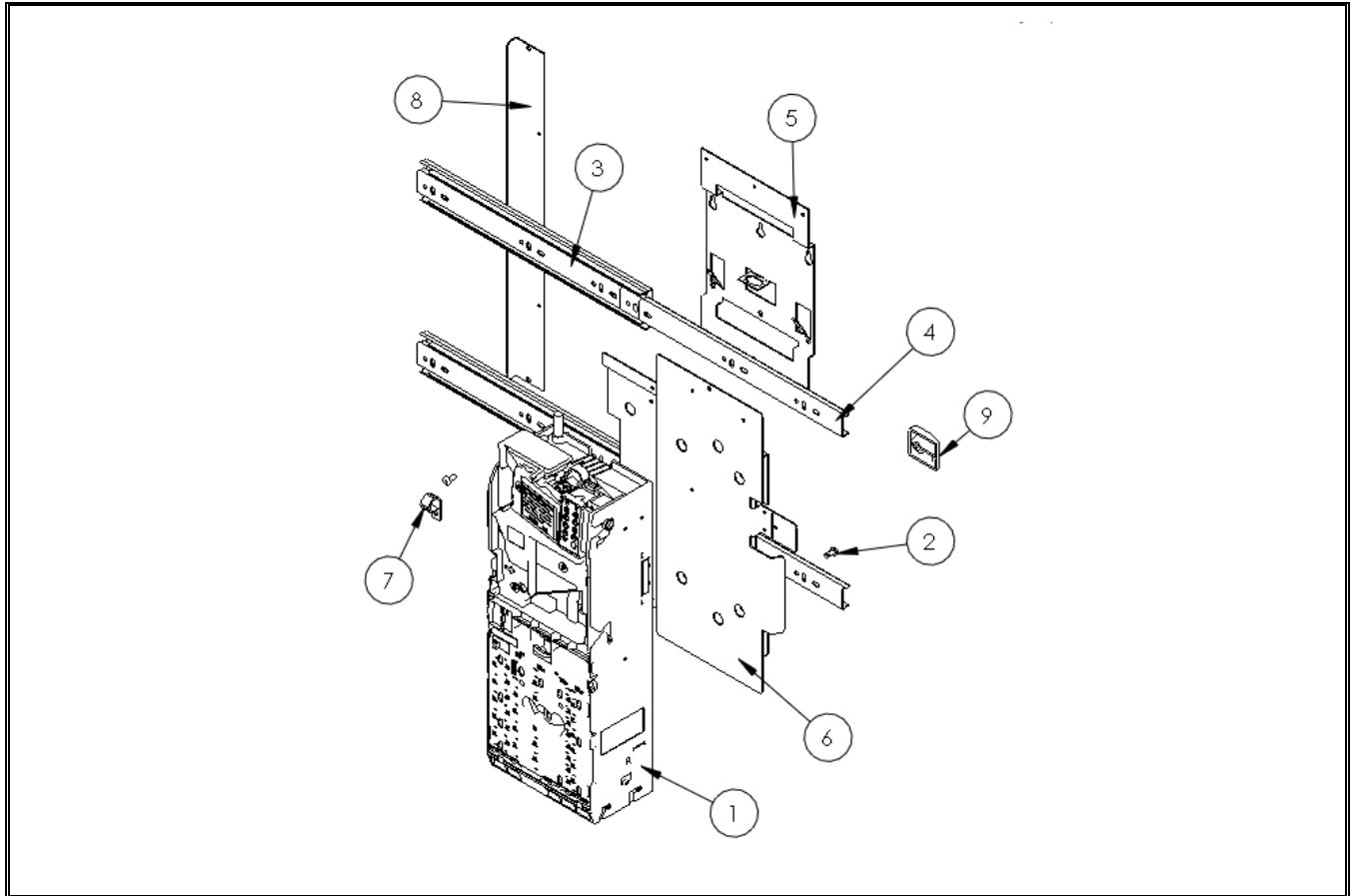
TOP LED ASSEMBLY



TOP LED ASSEMBLY PARTS LIST

ITEM NO.	PART NUMBER	QTY	DESCRIPTION
1	4216544.003	1	LED LIGHT ENGINE
2	4224300.000330	1	LED BRACKET
3	4224341	1	LED HARNESS (NOT SHOWN)
4	4215561.014	2	SNAP RIVET
5	4033704	1	CABLE TIE 5.6"

COIN MECH SLIDE ASSEMBLY



COIN MECH SLIDE ASSEMBLY PARTS LIST

ITEM NO.	PART NUMBER	QTY	DESCRIPTION
1		OPT	COIN MECH
2	4050239.001	19	#8-32 X 3/8" PHIL PH TYP 23 BLACK
3	4214745	2	DRAWER SLIDE
4		2	PART OF ITEM 3
5	4224176.000330	1	MECH SLIDE MOUNT
6	1219685.000330	1	COIN MECH SLIDE WELD
7	4215909	1	OPEN P-CLAMP
8	4224403.000330	1	TRAY HARNESS BLOCK
9	4025610	1	DOOR GLIDE