



ELEVATOR ST/ VT

SINGLE/VARIABLE TEMP GLASSFRONT



MODELS:

ST 5000 - 3561, 3561A

VT 5000 – 3563, 3563A

PARTS MANUAL

VendNet™

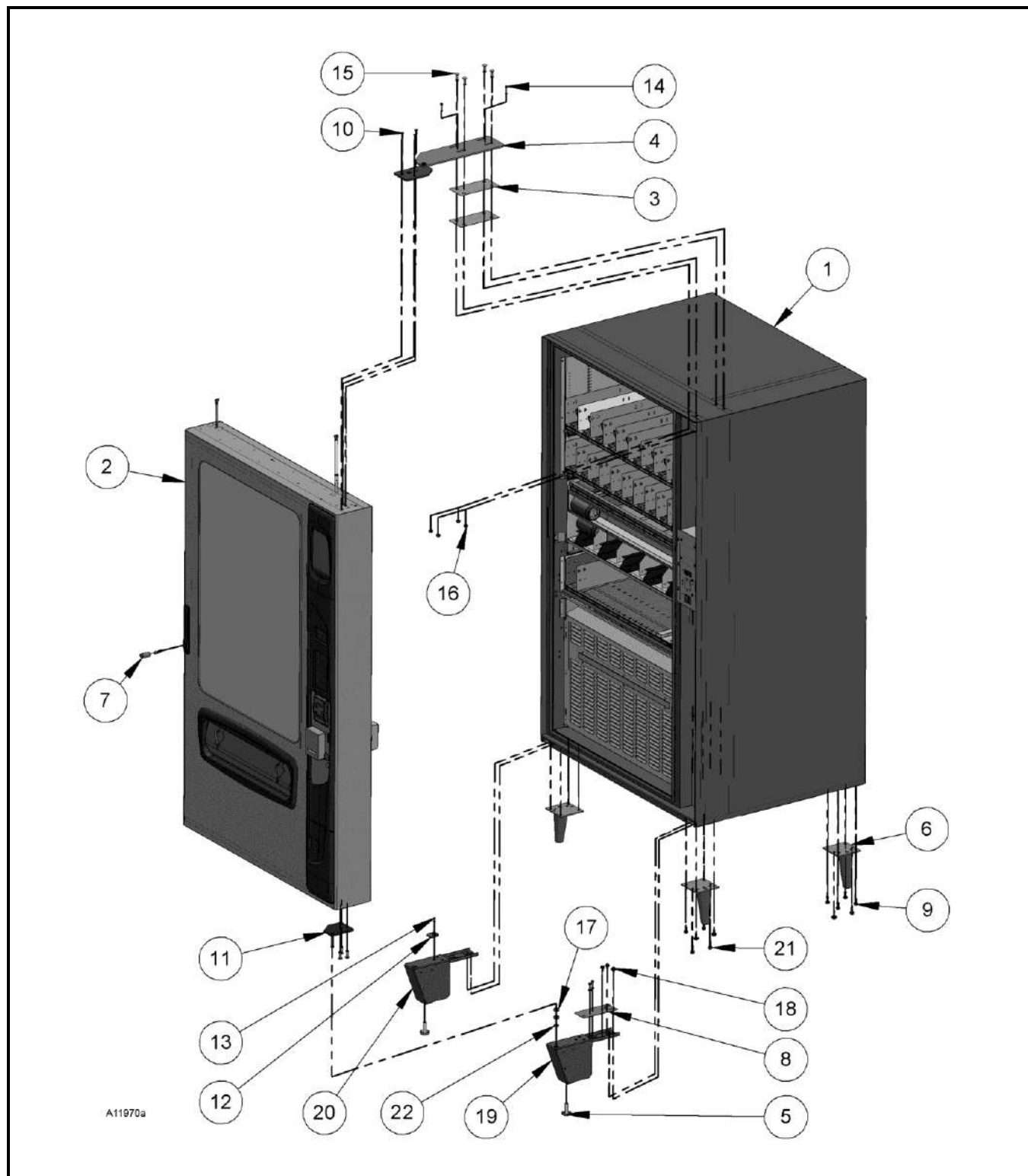
165 North 10th Street
Waukee, IOWA 50263-0488
United States of America

TABLE OF CONTENTS

| | |
|---|-----------|
| FINAL ASSEMBLY | 1 |
| FINAL ASSEMBLY PARTS LIST | 2 |
| ELEVATOR DOOR ASSEMBLY | 3 |
| ELEVATOR DOOR ASSEMBLY PARTS LIST | 5 |
| ELEVATOR SUB-ASSEMBLY | 8 |
| ELEVATOR SUB-ASSEMBLY PARTS LIST | 8 |
| POINT-OF-PURCHASE ASSEMBLY | 10 |
| POINT-OF-PURCHASE ASSEMBLY PARTS LIST | 10 |
| 24 VAC LED LIGHTING (DOOR) | 11 |
| 24 VAC LED ASSEMBLY - LOCK SIDE (S/N < 1345906) | 11 |
| 24 VAC LED ASSEMBLY – LOCK SIDE PARTS LIST | 11 |
| 24 VAC LED ASSEMBLY - HINGE SIDE (S/N < 1345906) | 12 |
| 24 VAC LED ASSEMBLY - HINGE SIDE PARTS LIST | 12 |
| 24 VAC LED ASSEMBLY - TOP (S/N < 1345906) | 13 |
| 24 VAC LED ASSEMBLY – TOP PARTS LIST | 13 |
| POINT-OF-PURCHASE 24 VAC LED ASSEMBLY (S/N < 1345906) | 14 |
| POINT-OF-PURCHASE 24 VAC LED ASSEMBLY PARTS LIST | 14 |
| 12 VDC LED LIGHTING (DOOR) | 15 |
| 12 VDC LED ASSEMBLY 12VDC- LOCK SIDE (S/N ≥ 1345906) | 15 |
| 12 VDC LED ASSEMBLY - LOCK SIDE PARTS LIST | 15 |
| 12 VDC LED ASSEMBLY - HINGE SIDE (S/N ≥ 1345906) | 16 |
| 12 VDC LED ASSEMBLY - HINGE SIDE PARTS LIST | 16 |
| 12 VDC LED ASSEMBLY - TOP (S/N ≥ 1345906) | 17 |
| 12 VDC LED ASSEMBLY - TOP PARTS LIST | 17 |
| POINT-OF-PURCHASE 12 VDC LED ASSEMBLY (S/N ≥ 1345906) | 18 |
| POINT-OF-PURCHASE 12 VDC LED ASSEMBLY PARTS LIST | 18 |
| DELIVERY BUCKET ASSEMBLY | 19 |
| DELIVERY BUCKET ASSEMBLY PARTS LIST | 19 |
| OPTICAL SENSOR ASSEMBLY | 20 |
| OPTICAL SENSOR ASSEMBLY PARTS LIST | 20 |
| COIN MECH MOUNT ASSEMBLY | 21 |
| COIN MECH MOUNT ASSEMBLY PARTS LIST | 21 |
| COIN RETURN MECHANISM ASSEMBLY | 22 |
| COIN RETURN MECHANISM ASSEMBLY PARTS LIST | 22 |
| ELEVATOR CABINET ASSEMBLY | 23 |
| ELEVATOR CABINET ASSEMBLY PARTS LIST | 23 |
| CONNECTION BOX ASSEMBLY (110 VAC) (S/N ≥ 1345906) | 26 |
| CONNECTION BOX ASSEMBLY (220 VAC) (S/N ≥ 1345906) | 26 |
| CONNECTION BOX ASSEMBLY (115 VAC & 230 VAC) PARTS LIST | 27 |
| CONNECTION BOX ASSEMBLY (115 VAC) (S/N < 1345906) | 28 |
| CONNECTION BOX ASSEMBLY (230 VAC) (S/N < 1345906) | 28 |
| CONNECTION BOX ASSEMBLY (115 VAC & 230 VAC) PARTS LIST | 28 |
| SNACK STEEL TRAY ASSEMBLY (S/N < 1360592) | 29 |
| SNACK STEEL TRAY ASSEMBLY PARTS LIST | 29 |
| CAN & BOTTLE TRAY ASSEMBLY (10 SEL & 9 SEL) (S/N < 1360592) | 31 |

| | |
|--|-----------|
| CAN & BOTTLE TRAY ASSEMBLY PARTS LIST..... | 32 |
| HIGH CAPACITY CAN TRAY (HCCT) ASSEMBLY (S/N < 1360592)..... | 33 |
| HCC TRAY ASSEMBLY PARTS LIST (OPTIONAL)..... | 34 |
| SNACK STEEL TRAY ASSEMBLY (S/N ≥ 1360592)..... | 35 |
| SNACK STEEL TRAY ASSEMBLY PARTS LIST..... | 36 |
| CAN & BOTTLE TRAY ASSEMBLY (10 SEL & 9 SEL) (S/N ≥ 1360592)..... | 37 |
| CAN & BOTTLE TRAY ASSEMBLY PARTS LIST..... | 38 |
| HIGH CAPACITY CAN TRAY (HCCT) ASSEMBLY (S/N ≥ 1360592)..... | 39 |
| HCC TRAY ASSEMBLY PARTS LIST (OPTIONAL)..... | 40 |
| 24 VAC LED LIGHTING (CABINET)..... | 41 |
| 24 VAC LED ASSEMBLY - LOUVER PANEL (S/N < 1345906)..... | 41 |
| 24 VAC LED ASSEMBLY - LOUVER PANEL PARTS LIST..... | 41 |
| 12 VDC LED LIGHTING (CABINET)..... | 42 |
| 12 VDC LED ASSEMBLY - LOUVER PANEL (S/N ≥ 1345906)..... | 42 |
| 12 VDC LED ASSEMBLY - LOUVER PANEL PARTS LIST..... | 42 |
| POWER BOX ASSEMBLY - 24VAC LED ENGINE 110V & 220V (S/N < 1345906)..... | 43 |
| POWER BOX ASSEMBLY - 24VAC LED ENGINE PART LIST..... | 43 |
| POWER BOX ASSEMBLY - 12VDC LED STRIP 110V & 220V (S/N ≥ 1345906)..... | 45 |
| POWER BOX ASSEMBLY - 12VDC LED STRIP PART LIST..... | 45 |
| POWER BOX ASSEMBLY - 230V/60HZ (INMETRO BRAZIL)..... | 47 |
| POWER BOX ASSEMBLY – 230V/60HZ (INMETRO BRAZIL) PART LIST..... | 47 |
| BAFFLE ASSEMBLY (S/N > 1269766)..... | 49 |
| BAFFLE ASSEMBLY PARTS LIST..... | 49 |
| REFRIGERATION MODULE ASSEMBLY (110V & 220V)..... | 51 |
| REFRIGERATION MODULE (115V & 220V) PARTS LIST..... | 51 |
| REFRIGERATION BASE ASSEMBLY (110V & 220V)..... | 53 |
| REFRIGERATION BASE ASSEMBLY (110V & 220V) PARTS LIST..... | 54 |
| CONDENSER FAN ASSEMBLY (110V & 220V)..... | 55 |
| CONDENSER FAN ASSEMBLY PARTS LIST..... | 55 |
| BARRIER ASSEMBLY..... | 56 |
| BARRIER ASSEMBLY PARTS LIST..... | 56 |
| OPTIONAL SPIRALS..... | 57 |
| OPTIONAL PRICE SCROLLS..... | 58 |

FINAL ASSEMBLY



* SPECIFY COLOR
AR AS REQUIRED

† SPECIFY VOLTAGE/ HEATED/UN-HEATED
‡ SPECIFY SOFTWARE VERSION

FINAL ASSEMBLY PARTS LIST

| ITEM NO. | PART NUMBER | 3561 | 3561A | 3563 | 3563A | DESCRIPTION |
|----------|-------------------------------|------|-------|------|-------|--|
| 1 | SEE PAGE # 23 | 1 | 1 | 1 | 1 | ELEVATOR CABINET ASSEMBLY |
| 2 | SEE PAGE # 3 | 1 | 1 | 1 | 1 | ELEVATOR DOOR ASSEMBLY |
| 3 | 4214306 | 2 | 2 | 2 | 2 | TOP HINGE SHIM |
| 4 | *1216660.000330 | 1 | 1 | 1 | 1 | TOP HINGE WELD ASSEMBLY |
| 5 | 4212842 | 2 | 2 | 2 | 2 | 1/2-13X1-1/2 LEG LEVELER |
| 6 | 1214704.001 | 4 | 4 | 4 | 4 | LEG ASSEMBLY – 6” |
| 7 | 4060330 | 1 | 1 | 1 | 1 | LOCK |
| 8 | 4218599.000330 | 1 | 1 | 1 | 1 | BOTTOM HINGE PLATE |
| 9 | 8801388 | 12 | 12 | 12 | 12 | 5/16-18 x 3/4 HWH TYPE-1 |
| 10 | 4212089 | 6 | 6 | 6 | 6 | 1/4-20 x 3/4 COUNTERSUNK HEADCAP SCREW |
| 11 | *1217994 | 1 | 1 | 1 | 1 | BOTTOM HINGE STAKE ASSEMBLY |
| 12 | 4025610 | 1 | 1 | 1 | 1 | DOOR GLIDE |
| 13 | 8800636 | 1 | 1 | 1 | 1 | 8- 18 X 1/2 PHIL PH TYPE |
| 14 | 4215175 | 4 | 4 | 4 | 4 | 12-18 X 1 HWH TEK SCREW |
| 15 | 8810013 | 4 | 4 | 4 | 4 | 5/16-18 X 1 CARR. BOLT |
| 16 | 8810015 | 4 | 4 | 4 | 4 | 5/16-18 FLANGE LOCK NUT |
| 17 | 4219752 | 2 | 2 | 2 | 2 | 0.394 FLAT WASHER NYLON BLACK |
| 18 | 4218853 | 3 | 3 | 3 | 3 | 5/16-18 X1/2 HWH TYPE |
| 19 | 1218308.000330 | 1 | 1 | 1 | 1 | LEG MOUNT WELD |
| 20 | 1218308.001330 | 1 | 1 | 1 | 1 | LEG MOUNT WELD |
| 21 | 4201385 | 8 | 8 | 8 | 8 | 5/16-18 X 1 THREAD ROLLER SCREW |
| 22 | 4050767 | 1 | 1 | 1 | 1 | 3/8 FLAT WASHER-NYLON BLACK |

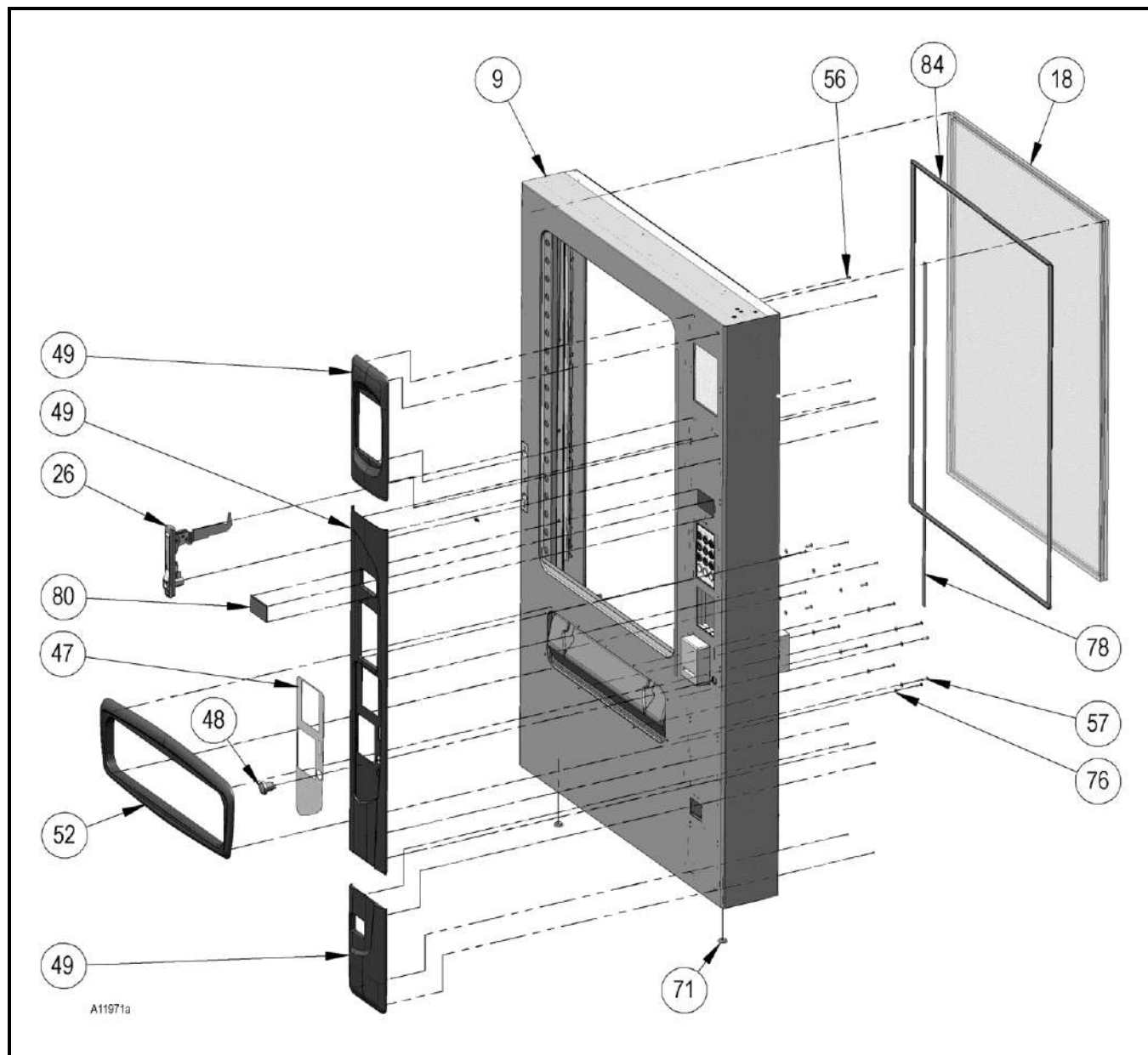
LIST OF PARTS NOT SHOWN

| | | | | | | |
|----|-------------|---|---|---|---|----------------------------|
| | 4216016 | 1 | - | 1 | - | GFCI POWER CORD (110V) |
| | 4213759.001 | - | - | - | - | POWER CORD - UK |
| | 4213759.002 | - | - | - | - | POWER CORD - EURO |
| 23 | 4213759.003 | - | 1 | - | 1 | POWER CORD - AUS/NZ (220V) |
| | 4213759.004 | - | - | - | - | POWER CORD - S. AFRICA |
| | 4213759.005 | - | - | - | - | POWER CORD - ARGENTINA |
| | 4213759.006 | - | - | - | - | POWER CORD - RUSSIA |

* SPECIFY COLOR
AR AS REQUIRED

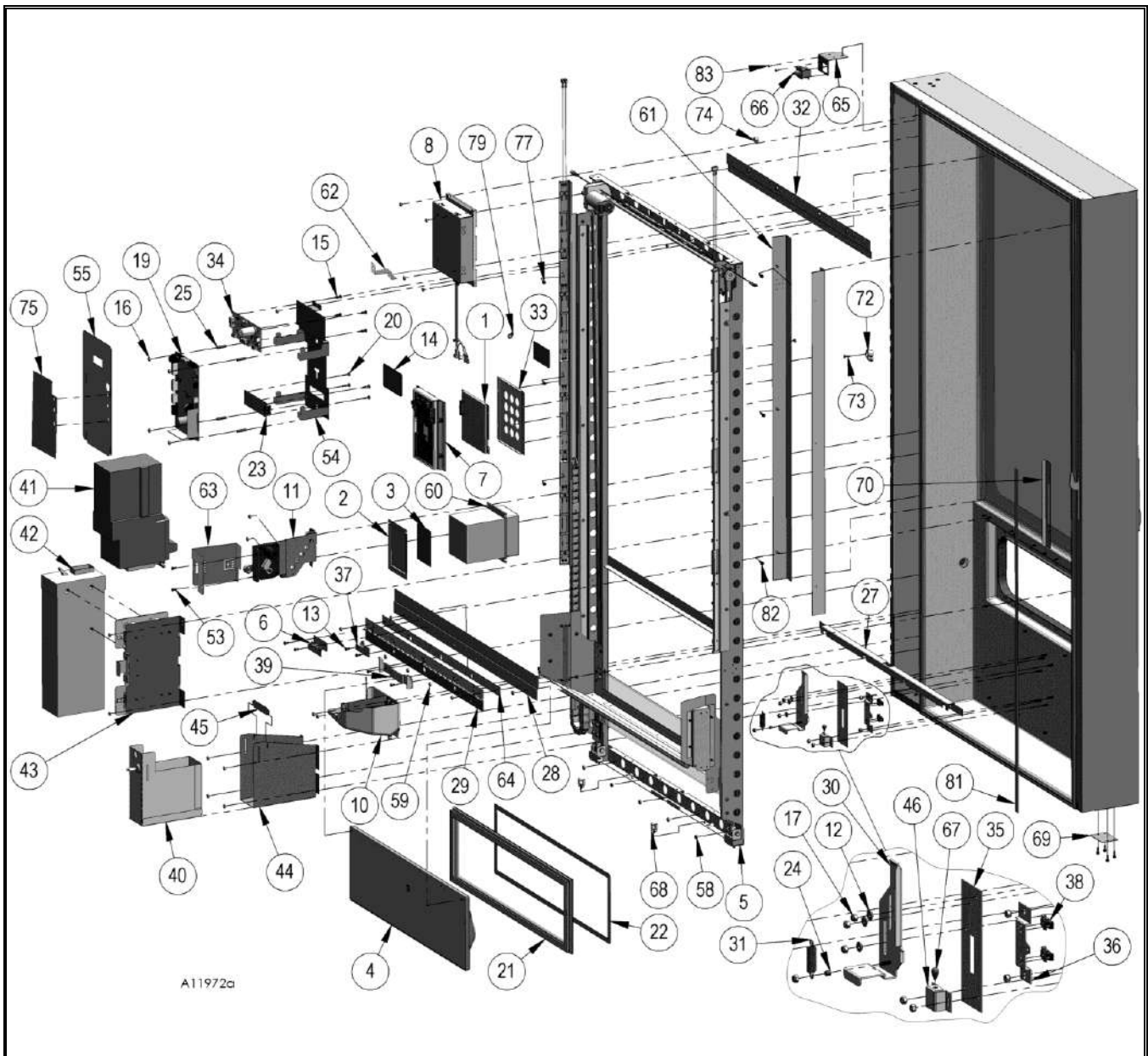
† SPECIFY VOLTAGE/ HEATED/UN-HEATED
†† SPECIFY SOFTWARE VERSION

ELEVATOR DOOR ASSEMBLY



* SPECIFY COLOR
AR AS REQUIRED

† SPECIFY VOLTAGE/ HEATED/UN-HEATED
‡ SPECIFY SOFTWARE VERSION



* SPECIFY COLOR
AR AS REQUIRED

† SPECIFY VOLTAGE/ HEATED/UN-HEATED
‡ SPECIFY SOFTWARE VERSION

ELEVATOR DOOR ASSEMBLY PARTS LIST

| ITEM NO. | PART NUMBER | 3561 | 3561A | 3563 | 3563A | DESCRIPTION |
|----------|------------------------------|------|-------|------|-------|---|
| 1 | 1216670 | 1 | 1 | 1 | 1 | KEYPAD ASSEMBLY |
| 2 | 4217573 | 1 | 1 | 1 | 1 | PERIPHERAL FILLER |
| 3 | 4217574 | 1 | 1 | 1 | 1 | FILLER DECAL ENGLISH/I-VEND |
| 4 | 1218007 | 1 | 1 | 1 | 1 | ELEVATOR DELIVERY DOOR FOAM ASSEMBLY |
| 5 | SEE PAGE #8 | 1 | 1 | 1 | 1 | ELEVATOR SUB-ASSEMBLY |
| 6 | 1218115 | 1 | 1 | 1 | 1 | OPTICAL SENSOR ASSEMBLY SEE PAGE #20 |
| 7 | 1218242 | - | - | - | - | 7" TOUCH SCREEN (OPTIONAL) |
| 8 | SEE PAGE #10 | 1 | 1 | 1 | 1 | POP ASSEMBLY (24 VAC LED ENGINE OPTION) |
| | SEE PAGE #10 | 1 | 1 | 1 | 1 | POP ASSEMBLY (12 VDC LED STRIP OPTION) |
| 9 | *1218347.001XXX | 1 | 1 | 1 | 1 | ELEVATOR DOOR FOAM ASSEMBLY/ADA |
| 10 | 1218361 | 1 | 1 | 1 | 1 | COIN CUP ASSEMBLY |
| 11 | 1218519 | 1 | 1 | 1 | 1 | COIN RETURN MECHANISM ASSEMBLY SEE PAGE #22 |
| 12 | 4030100.003 | 3 | 3 | 3 | 3 | BUSHING-SPACER |
| 13 | 4050423.001 | 8 | 8 | 8 | 8 | 8-18X3/8 PHIL PH TY-A |
| 14 | 4202841.009 | 1 | 1 | 1 | 1 | READOUT WINDOW/BLUE |
| 15 | 4206879 | 4 | 4 | 4 | 4 | BOARD STANDOFF-3/8" |
| 16 | 4209866 | 4 | 4 | 4 | 4 | 6-32 NYLON NUT |
| 17 | 4210384 | 4 | 4 | 4 | 4 | 8-32 NYLOK NUT |
| 18 | 4222429.001 | 1 | - | 1 | - | DUAL PANE GLASS/110V |
| | 4213919.021 | 1 | - | 1 | - | TRIPLE PANE GLASS/110V (OUTDOOR/COUNTRY SPECIFIC) |
| | 4222429.002 | - | 1 | - | 1 | DUAL PANE GLASS/220V |
| | 4213919.022 | - | 1 | - | 1 | TRIPLE PANE GLASS/230V (OUTDOOR/COUNTRY SPECIFIC) |
| 19 | 4214682.004 | 1 | 1 | 1 | 1 | GVC2 DUAL MOTOR CONTROL BOARD (RED) |
| 20 | 4214729 | 4 | 4 | 4 | 4 | STANDOFF |
| 21 | 4215090.005 | 1 | 1 | 1 | 1 | MAGNETIC GASKET-5W |
| 22 | 4214154 | 1 | 1 | 1 | 1 | DELIVERY GASKET RETAINER |
| 23 | 4216028 | 1 | 1 | 1 | 1 | VF DISPLAY, RIGHT ANGLE |
| 24 | 4216687.250 | 2 | 2 | 2 | 2 | TUBULAR SPACER 1/4" |
| 25 | 4216687.1000 | 4 | 4 | 4 | 4 | TUBULAR SPACER 1" |
| 26 | 4218645 | 1 | 1 | 1 | 1 | DOOR HANDLE ASSEMBLY |
| 27 | 4218660.000330 | 1 | 1 | 1 | 1 | BOTTOM DELIVERY GUIDE |
| 28 | 4218661.000330 | 1 | 1 | 1 | 1 | BOTTOM WINDOW SUPPORT/5W |
| 29 | 4218662 | 1 | 1 | 1 | 1 | CONTINUOUS HINGE W/SPRING |
| 30 | 4218690.001 | 1 | 1 | 1 | 1 | DELIVERY DOOR LOCK BRACKET |
| 31 | 4218691 | 1 | 1 | 1 | 1 | DELIVERY DOOR LOCK SPRING |
| 32 | 4218732.000330 | 1 | 1 | 1 | 1 | TOP WINDOW SUPPORT/5W |
| 33 | 4218809.000330 | 1 | 1 | 1 | 1 | KEYPAD FILLER |
| 34 | 4218978 | 1 | 1 | 1 | 1 | ELEVATOR CONTROL BOARD |
| 35 | 4219014 | 1 | 1 | 1 | 1 | SPACER DOOR LOCK BRACKET |
| 36 | 4219015.000330 | 1 | 1 | 1 | 1 | DELIVERY DOOR LOCK SWITCH BRACKET |

* SPECIFY COLOR
AR AS REQUIRED

† SPECIFY VOLTAGE/ HEATED/UN-HEATED
‡ SPECIFY SOFTWARE VERSION

| ITEM NO. | PART NUMBER | 3561 | 3561A | 3563 | 3563A | DESCRIPTION |
|----------|----------------|------|-------|------|-------|---|
| 37 | 4219017.000330 | 1 | 1 | 1 | 1 | OPTICAL SWITCH BREAKER |
| 38 | 4219019 | 2 | 2 | 2 | 2 | SNAP-FIT SWITCH |
| 39 | 4219060.000330 | 1 | 1 | 1 | 1 | ACCESS DOOR STOPPER |
| 40 | 4219350.001330 | 1 | 1 | 1 | 1 | COIN BOX/WELDED |
| 41 | OPTIONAL | - | - | - | - | BILL VALIDATOR |
| 42 | OPTIONAL | - | - | - | - | COIN MECHANISM |
| 43 | 1218371 | 1 | 1 | 1 | 1 | COIN MECH MOUNT ASSEMBLY SEE PAGE #21 |
| 44 | 4219374.000330 | 1 | 1 | 1 | 1 | COIN BOX MOUNT |
| 45 | 4219375 | 1 | 1 | 1 | 1 | COIN BOX BRACE |
| 46 | 4219460.000330 | 1 | 1 | 1 | 1 | DELIVERY DOOR LOCK STOPPER |
| 47 | 4219818.100 | 1 | 1 | 1 | 1 | ADA BEZEL DECAL/1 HOLE/BLACK |
| 48 | 4219726.001 | 1 | 1 | 1 | 1 | MOMENTARY SWITCH-AMBER |
| 49 | 1219201 | 1 | 1 | 1 | 1 | DOOR BEZEL SET – DARK GRAY |
| | 1219201.001 | 1 | 1 | 1 | 1 | DOOR BEZEL SET – SILVER |
| 52 | 4219776 | 1 | 1 | 1 | 1 | DELIVERY DOOR BEZEL/5W |
| 53 | 4050239 | 3 | 3 | 3 | 3 | 8-32X3/8 PHL PH TYP-T |
| 54 | 4221592.001330 | 1 | 1 | 1 | 1 | DISPLAY MOUNT STAKE-ELEVATOR |
| 55 | 4219950.000330 | 1 | 1 | 1 | 1 | CONTROL BOARD COVER-ELEVATOR |
| 56 | 4220189 | 24 | 24 | 24 | 24 | #4 X 1/4 PHIL PH PTRS |
| 57 | 4220175 | 14 | 14 | 14 | 14 | #8 X 5/8 PHIL PH PTRS |
| 58 | 8800952 | 14 | 14 | 14 | 14 | 10-32 HEX NUT W/EXTERNAL TOOTH LOCK WASHER |
| 59 | 8800956 | 49 | 49 | 49 | 49 | 8-32 HEX NUT W/EXTERNAL TOOTH LOCK WASHER |
| 60 | OPTIONAL | - | - | - | - | CREDIT CARD READER |
| 61 | 4222776.000330 | 2 | 2 | 2 | 2 | GLASS RETAINER LH/RH |
| 62 | 4220928.000330 | 1 | 1 | 1 | 1 | DEX JACK MOUNT/ELEVATOR |
| 63 | 4220349.001330 | 1 | 1 | 1 | 1 | COIN RETURN MECHANISM COVER |
| 64 | 4220266 | 1 | 1 | 1 | 1 | DELIVERY DOOR HINGE SHIM |
| 65 | 4217588 | 1 | 1 | 1 | 1 | DOOR SWITCH MOUNT |
| 66 | 4212621 | 1 | 1 | 1 | 1 | SWITCH |
| 67 | 4214496 | 1 | 1 | 1 | 1 | RUBBER BUMPER |
| 68 | 4216313 | 6 | 6 | 6 | 6 | CLAMP |
| 69 | 4218593 | 1 | 1 | 1 | 1 | DOOR LIFT |
| 70 | 4218648.000330 | 1 | 1 | 1 | 1 | LATCH TRIM PLATE |
| 71 | 7250135.003 | 2 | 2 | 2 | 2 | HOLE PLUG, BPF-3/4" |
| 72 | 8324099.7 | 2 | 2 | 2 | 2 | CLAMP - 1/2 X 5/8 |
| 73 | 4050247 | 2 | 2 | 2 | 2 | 8-32X1/2 PHIL PH MS |
| 74 | 8324099.2 | 1 | 1 | 1 | 1 | CLAMP - 1/4 IN |
| 75 | 4216031 | 1 | 1 | 1 | 1 | SERVICE MODE LABEL - GVC2 |
| 76 | 8801011 | 14 | 14 | 14 | 14 | #8 FLAT WASHER |
| 77 | 4050241.001 | 3 | 3 | 3 | 3 | 8-18X 3/4 PHIL PD/BLK |
| 78 | 4209845 | 35FT | 35FT | 35FT | 35FT | PROTECTIVE WINDOW SEAL 1/2" |
| 79 | 4033704 | 4 | 4 | 4 | 4 | CABLE TIE |
| 80 | 4219537.001 | - | - | - | - | USI DOMED LABEL (OPTIONAL) |

* SPECIFY COLOR
AR AS REQUIRED

† SPECIFY VOLTAGE/HEATED/UN-HEATED
†† SPECIFY SOFTWARE VERSION

| ITEM NO. | PART NUMBER | 3561 | 3561A | 3563 | 3563A | DESCRIPTION |
|----------|-------------|------|-------|------|-------|---------------------------|
| 81 | 4217577.002 | AR | AR | AR | AR | .062 X 1.625 FOAM TAPE |
| 82 | 4050202.001 | 10 | 10 | 10 | 10 | 8-18X1/2 PHIL HWH TEK/BLK |
| 83 | 4050667.001 | 3 | 3 | 3 | 3 | 1/8X .125 POP RIVET |
| 84 | 4217577.002 | 15FT | 15FT | 15FT | 15FT | .062 X 1.625 FOAM TAPE |

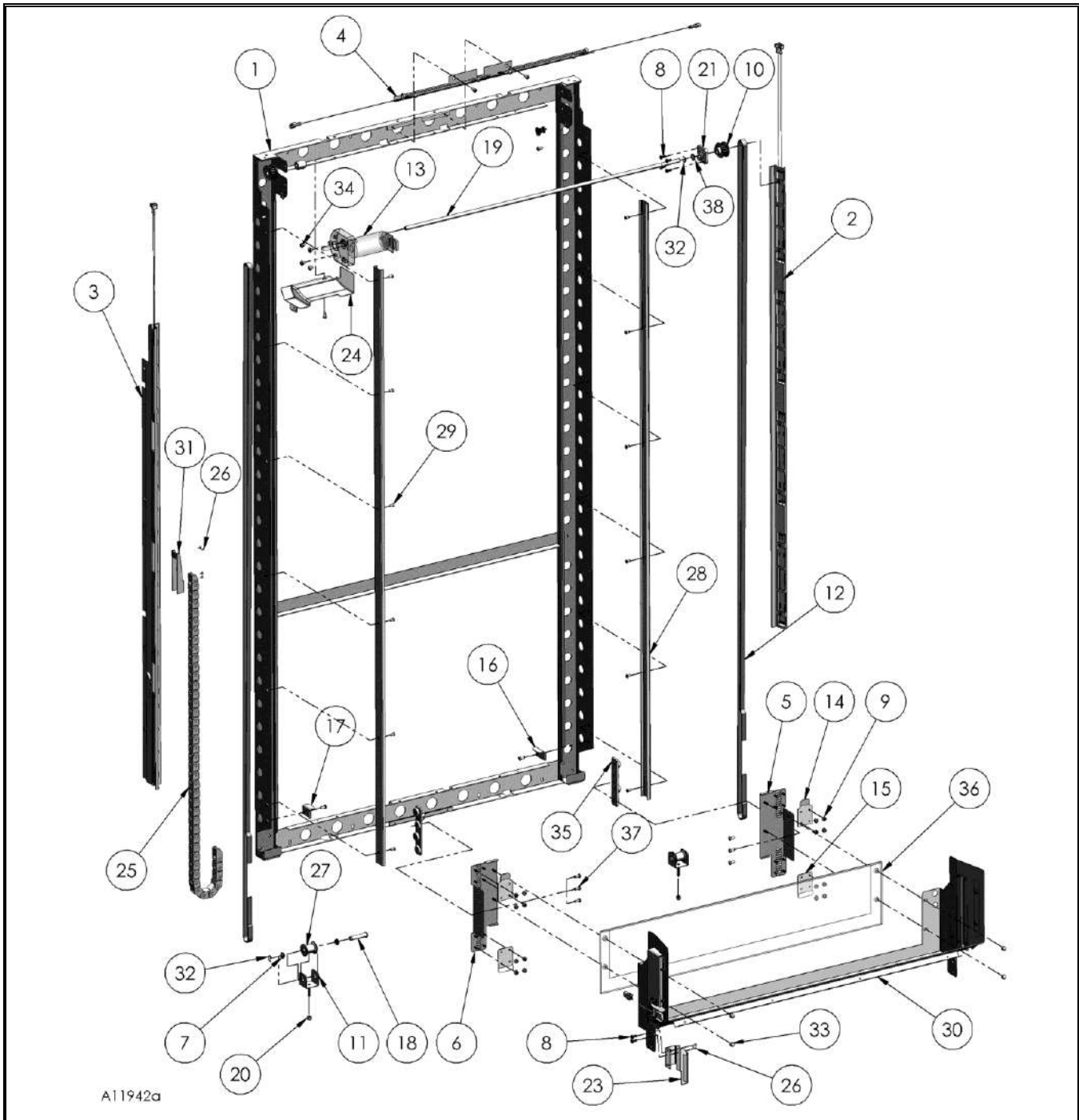
LIST OF PARTS NOT SHOWN

| | | | | | | |
|----|-------------|---|---|---|---|--|
| 85 | 4217638 | 1 | 1 | 1 | 1 | HEATED GLASS HARNESS |
| 86 | 1211465.003 | 1 | 1 | 1 | 1 | 13" GROUND WIRE |
| 87 | 4219902 | 1 | 1 | 1 | 1 | LED POWER JUMPER <i>(LED ENGINE OPTION)</i> |
| 88 | 4215471 | 1 | 1 | 1 | 1 | MDB CABLE/GVC1 |
| 89 | 4215719 | 1 | 1 | 1 | 1 | GVC2 DISPLAY CABLE |
| 90 | 4216099 | 1 | 1 | 1 | 1 | KEYPAD CABLE |
| 91 | 4217620 | 2 | 2 | 2 | 2 | LED POWER HARNESS DZF/SZF <i>(LED ENGINE OPTION)</i> |
| 92 | 4219089 | 1 | 1 | 1 | 1 | DOOR SWITCH HARNESS |
| 93 | 4219174 | 1 | 1 | 1 | 1 | DEX Y HARNESS |
| 94 | 4222560 | 1 | 1 | 1 | 1 | LED STRIP POWER HARNESS <i>(LED STRIP OPTION)</i> |

* SPECIFY COLOR
AR AS REQUIRED

† SPECIFY VOLTAGE/ HEATED/UN-HEATED
‡ SPECIFY SOFTWARE VERSION

ELEVATOR SUB-ASSEMBLY



ELEVATOR SUB-ASSEMBLY PARTS LIST

| ITEM NO. | PART NUMBER | 3561 | 3561A | 3563 | 3563A | DESCRIPTION |
|----------|-------------------------------|------|-------|------|-------|--------------------------------------|
| 1 | 1218009.000330 | 1 | 1 | 1 | 1 | ELEVATOR WELDED FRAME |
| 2 | SEE PAGE # 11 | 1 | 1 | 1 | 1 | 24 VAC LED ENGINE OPTION – LOCK SIDE |
| | SEE PAGE # 15 | 1 | 1 | 1 | 1 | 12 VDC LED STRIP OPTION – LOCK SIDE |

* SPECIFY COLOR
AR AS REQUIRED

† SPECIFY VOLTAGE/ HEATED/UN-HEATED
†† SPECIFY SOFTWARE VERSION

| ITEM NO. | PART NUMBER | 3561 | 3561A | 3563 | 3563A | DESCRIPTION |
|----------|-------------------------------|-------|-------|-------|-------|---------------------------------------|
| 3 | SEE PAGE # 12 | 1 | 1 | 1 | 1 | 24 VAC LED ENGINE OPTION – HINGE SIDE |
| | SEE PAGE # 16 | 1 | 1 | 1 | 1 | 12 VDC LED STRIP OPTION – HINGE SIDE |
| 4 | SEE PAGE # 13 | 1 | 1 | 1 | 1 | 24 VAC LED ENGINE OPTION - TOP |
| | SEE PAGE # 17 | 1 | 1 | 1 | 1 | 12 VDC LED STRIP OPTION - TOP |
| 5 | 1218102.001330 | 1 | 1 | 1 | 1 | ELEVATOR MOUNTING BRACKET STAKE - LH |
| 6 | 1218102.000330 | 1 | 1 | 1 | 1 | ELEVATOR MOUNTING BRACKET STAKE - RH |
| 7 | 4025263.001 | 4 | 4 | 4 | 4 | TYPE#5 NYLINER 5/16ID |
| 8 | 4050239 | 6 | 6 | 6 | 6 | 8-32X3/8 PHL PH TYP-T |
| 9 | 4217154 | 16 | 16 | 16 | 16 | #6-32 HEX NUT W/NYLON INSERT |
| 10 | € § 4220190 | 2 | 2 | 2 | 2 | XL(.200) TIMING BELT PULLEY |
| 11 | 4218668.001330 | 2 | 2 | 2 | 2 | BOTTOM PULLEY BRACKET TENSIONER |
| 12 | 4218669 | 20 FT | 20 FT | 20 FT | 20 FT | XL(.200) TIMING BELT |
| 13 | §§ € 4218670 | 1 | 1 | 1 | 1 | ELEVATOR DC MOTOR-150 RPM W/COUPLING |
| 14 | 4218674.000330 | 2 | 2 | 2 | 2 | BELT FIXING BRACKET TOP |
| 15 | 4218675.000330 | 2 | 2 | 2 | 2 | BELT FIXING BRACKET BOTTOM |
| 16 | 4218676.001330 | 1 | 1 | 1 | 1 | ELEVATOR STOPPER BRACKET-LH |
| 17 | 4218676.000330 | 1 | 1 | 1 | 1 | ELEVATOR STOPPER BRACKET-RH |
| 18 | 4218679 | 2 | 2 | 2 | 2 | LOWER PULLEY SHAFT- Ø 5/16" |
| 19 | § 4218683 | 1 | 1 | 1 | 1 | CONNECTING ROD Ø 5/16" |
| 20 | 4210384 | 2 | 2 | 2 | 2 | 8-32 HEX NUT W/NYLON INSERT |
| 21 | 4218934 | 1 | 1 | 1 | 1 | FLANGE BEARING |
| 22 | 4219019 | 1 | 1 | 1 | 1 | SNAP-FIT SWITCH |
| 23 | 4219023.000330 | 1 | 1 | 1 | 1 | HARNESS TRACK BRACKET |
| 24 | 4219179 | 1 | 1 | 1 | 1 | ELEVATOR MOTOR COVER |
| 25 | 1218137 | 1 | 1 | 1 | 1 | IVEND/REED SWITCH HARNESS |
| 26 | 4219242 | 6 | 6 | 6 | 6 | #4 X .25 FPH SMS TYPE AB |
| 27 | 4219269 | 2 | 2 | 2 | 2 | FLAT PULLEY |
| 28 | 4219491.001 | 2 | 2 | 2 | 2 | SLIDE RAIL – 52" LONG |
| 29 | 4219604 | 12 | 12 | 12 | 12 | 8-32 X 3/8 UNDERCUT FH MS ZN |
| 30 | SEE PAGE # 19 | 1 | 1 | 1 | 1 | DELIVERY BUCKET ASSEMBLY |
| 31 | 4219635.000330 | 1 | 1 | 1 | 1 | HARNESS TRACK SUPPORT BRACKET |
| 32 | 8801080 | 3 | 3 | 3 | 3 | E-RING, Ø 5/16" |
| 33 | 4219605 | 4 | 4 | 4 | 4 | 8-32 NICKEL PLATED ACORN NUT |
| 34 | 4219136 | 4 | 4 | 4 | 4 | 10-24 X 1/4 PHIL PH MS |
| 35 | 4219491.002 | 2 | 2 | 2 | 2 | CARRIAGE |
| 36 | 4219201 | 1 | 1 | 1 | 1 | ELEVATOR ADVERTISING PANEL |
| 37 | 4050240 | 10 | 10 | 10 | 10 | 8-32 X 3/8" PHIL PH MS |
| 38 | 8324353 | 1 | 1 | 1 | 1 | ID 5/16 FLAT WASHER |

NOTES:-

§ For all machines produced before Feb - 2012; 2 X Pulley (#10), Coupling (4220191) and Connecting Rod (#19) should be supplied as a replacement for any of these parts.

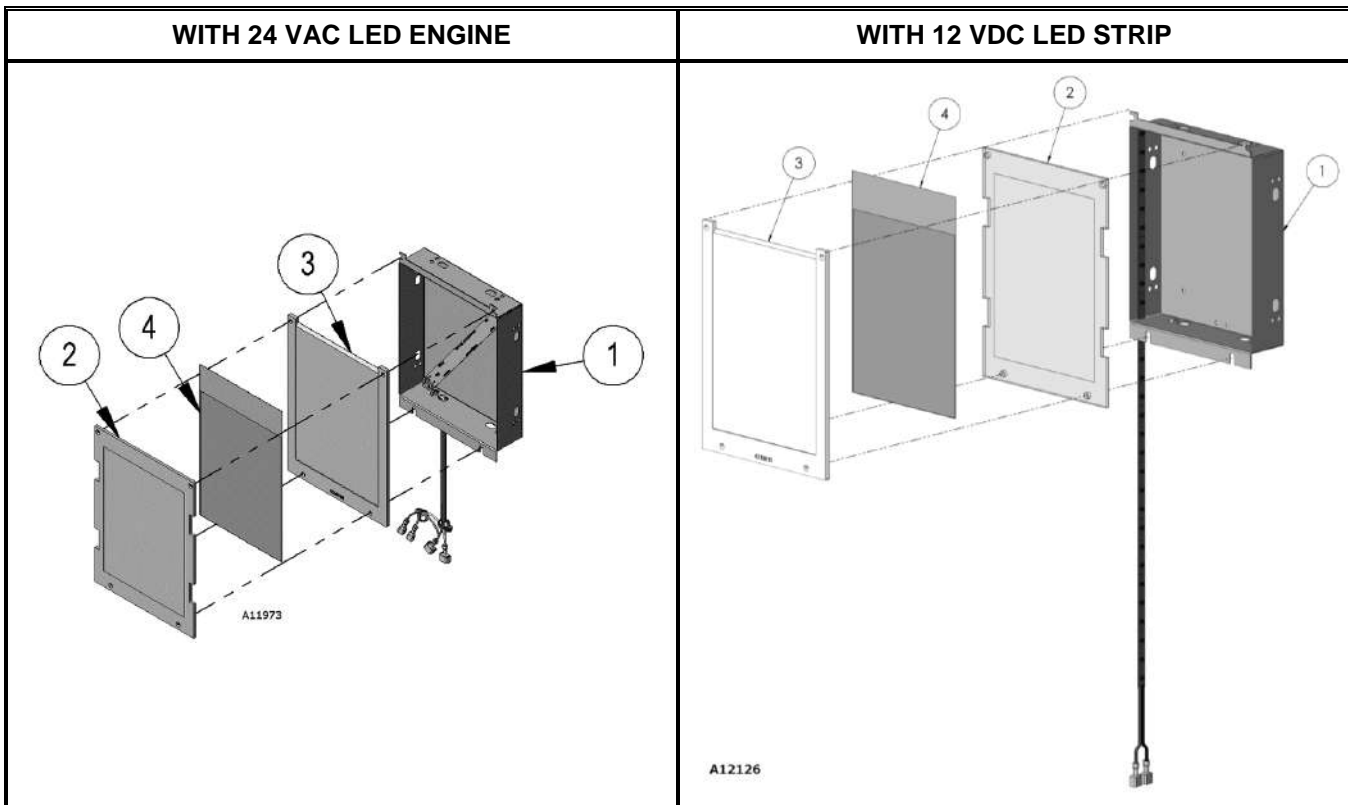
§§ S/N ≥ 1348630, Shaft coupling (4220191) is part of the motor shaft. Shaft coupling is still available for order separately.

€ Motor w/coupling (#13), Shaft Coupling (4220191) and pulleys (#10) are supplied with # 10 - 32 x ¼ Set Screw (4220011)

* SPECIFY COLOR
AR AS REQUIRED

† SPECIFY VOLTAGE/ HEATED/UN-HEATED
‡ SPECIFY SOFTWARE VERSION

POINT-OF-PURCHASE ASSEMBLY



POINT-OF-PURCHASE ASSEMBLY PARTS LIST

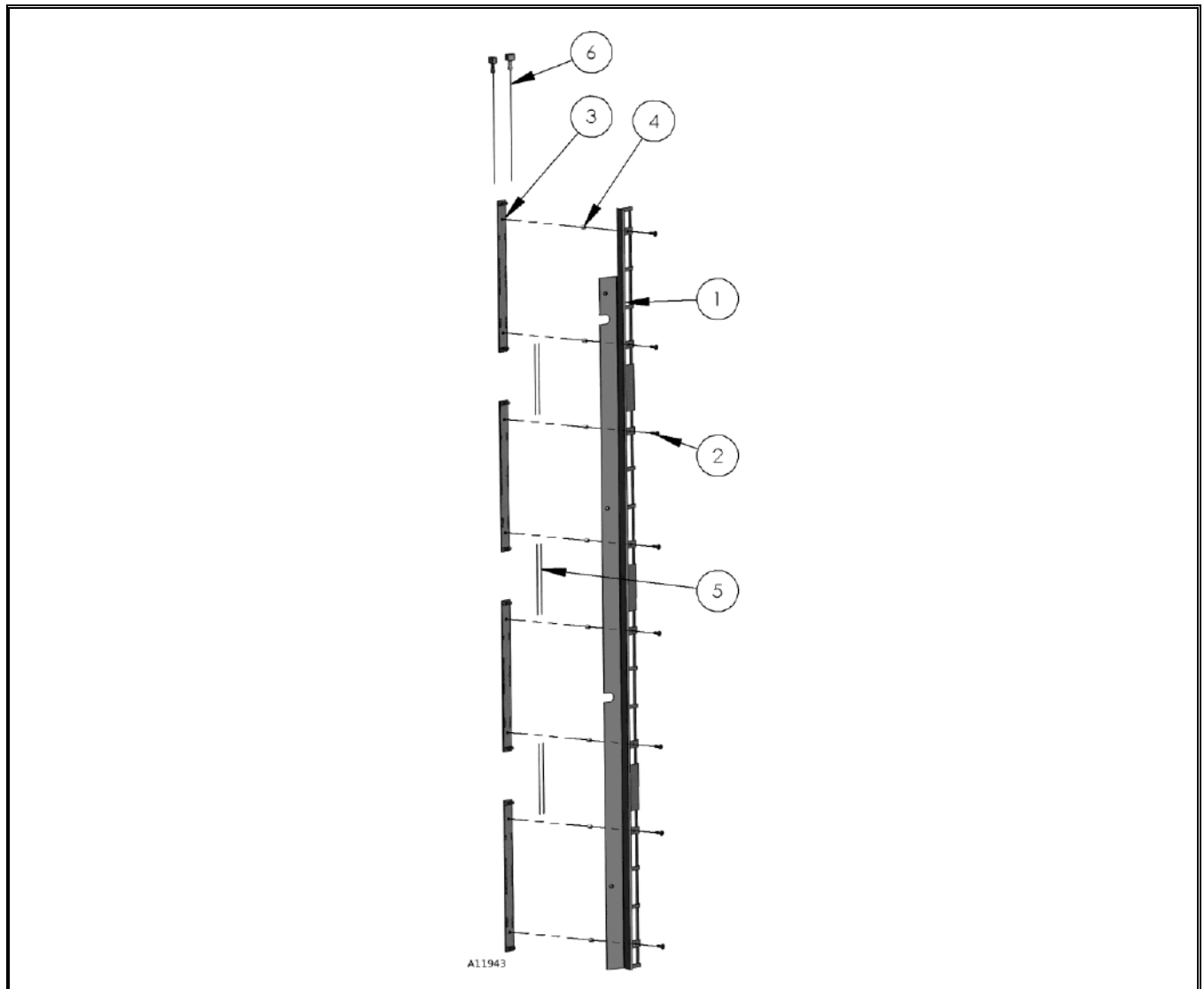
| ITEM NO. | PART NUMBER | 3561 | 3561A | 3563 | 3563A | DESCRIPTION |
|----------|-------------------------------|------|-------|------|-------|-----------------------------------|
| 1 | SEE PAGE # 14 | 1 | 1 | 1 | 1 | POP ASSEMBLY W/ 24 VAC LED ENGINE |
| 1 | SEE PAGE # 18 | 1 | 1 | 1 | 1 | POP ASSEMBLY W/ 12 VDC LED STRIP |
| 2 | 4219728 | 1 | 1 | 1 | 1 | ACRYLIC DISPLAY FRONT |
| 3 | 4219815 | 1 | 1 | 1 | 1 | PRINT HOLDER |
| 4 | 4219832.001 | 1 | 1 | 1 | 1 | ENJOY SANDWICH – DISPLAY PRINT |

* SPECIFY COLOR
AR AS REQUIRED

† SPECIFY VOLTAGE/ HEATED/UN-HEATED
‡ SPECIFY SOFTWARE VERSION

24 VAC LED LIGHTING (DOOR)

24 VAC LED ASSEMBLY - LOCK SIDE (S/N < 1345906)



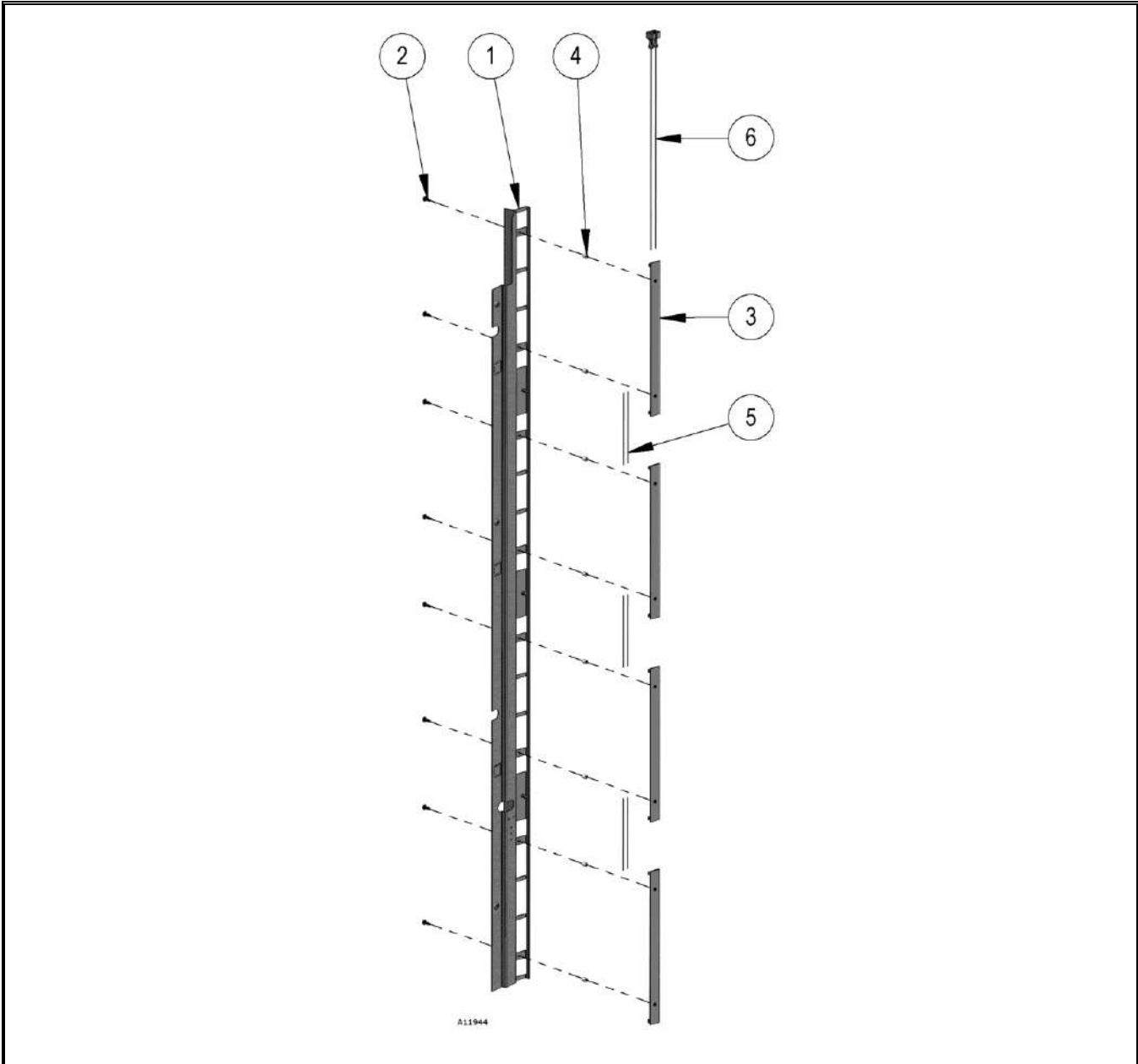
24 VAC LED ASSEMBLY - LOCK SIDE PARTS LIST

| ITEM NO. | PART NUMBER | 3561 | 3561A | 3563 | 3563A | DESCRIPTION |
|----------|----------------|------|-------|------|-------|----------------------------|
| 1 | 4219922.001330 | 1 | 1 | 1 | 1 | LED BRACKET STAKE ASSEMBLY |
| 2 | 4215561.019 | 8 | 8 | 8 | 8 | SNAP RIVET/BLACK 1/8 |
| 3 | 4216544 | 4 | 4 | 4 | 4 | 24 VAC LED LIGHT ENGINE |
| 4 | 4216676 | 8 | 8 | 8 | 8 | NYLON SPACER 1/8 X 3/16 |
| 5 | 4216693.004 | 6 | 6 | 6 | 6 | 20 GA WIRE/BLACK-3.75" |
| 6 | 4216691 | 2 | 2 | 2 | 2 | TAB WIRE ASSEMBLY - 6" |

* SPECIFY COLOR
AR AS REQUIRED

† SPECIFY VOLTAGE/ HEATED/UN-HEATED
‡ SPECIFY SOFTWARE VERSION

24 VAC LED ASSEMBLY - HINGE SIDE (S/N < 1345906)



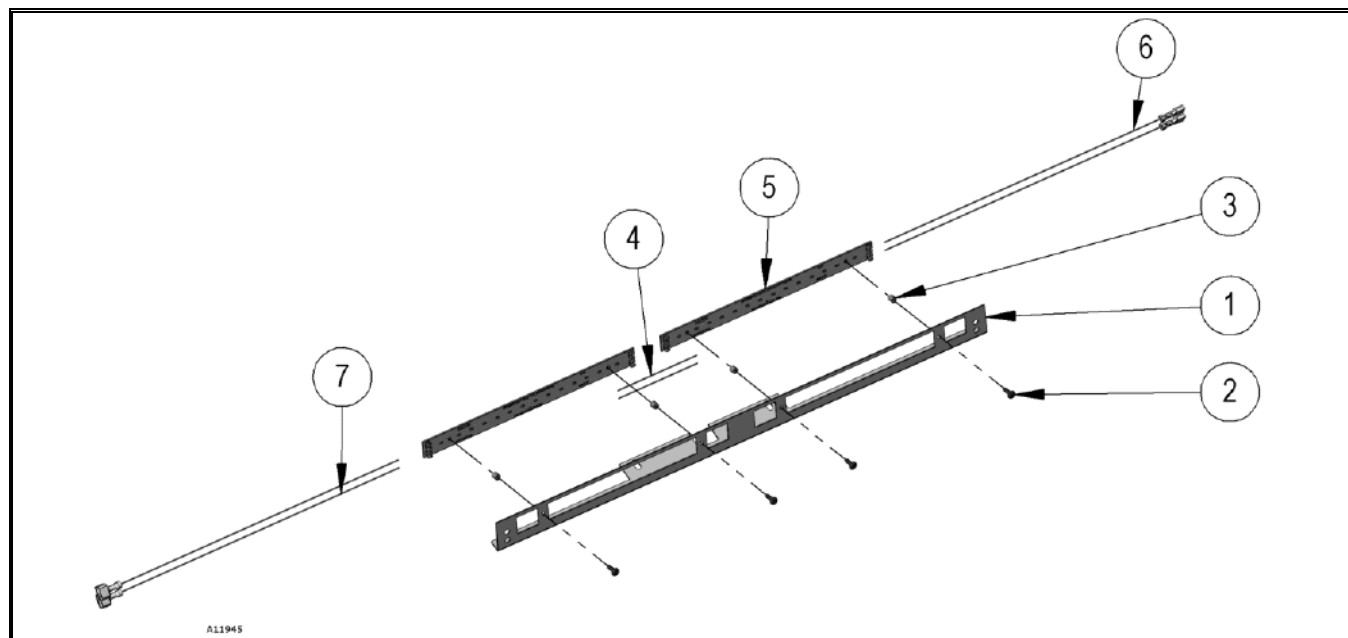
24 VAC LED ASSEMBLY - HINGE SIDE PARTS LIST

| ITEM NO. | PART NUMBER | 3561 | 3561A | 3563 | 3563A | DESCRIPTION |
|----------|----------------|------|-------|------|-------|----------------------------|
| 1 | 4219923.001330 | 1 | 1 | 1 | 1 | LED BRACKET STAKE ASSEMBLY |
| 2 | 4215561.019 | 8 | 8 | 8 | 8 | SNAP RIVET/BLACK 1/8 |
| 3 | 4216544 | 4 | 4 | 4 | 4 | 24 VAC LED LIGHT ENGINE |
| 4 | 4216676 | 8 | 8 | 8 | 8 | NYLON SPACER 1/8 X 3/16 |
| 5 | 4216693.004 | 6 | 6 | 6 | 6 | 20 GA WIRE/BLACK-3.75" |
| 6 | 4216691 | 2 | 2 | 2 | 2 | TAB WIRE ASSEMBLY 6" |

* SPECIFY COLOR
AR AS REQUIRED

† SPECIFY VOLTAGE/ HEATED/UN-HEATED
‡ SPECIFY SOFTWARE VERSION

24 VAC LED ASSEMBLY - TOP (S/N < 1345906)



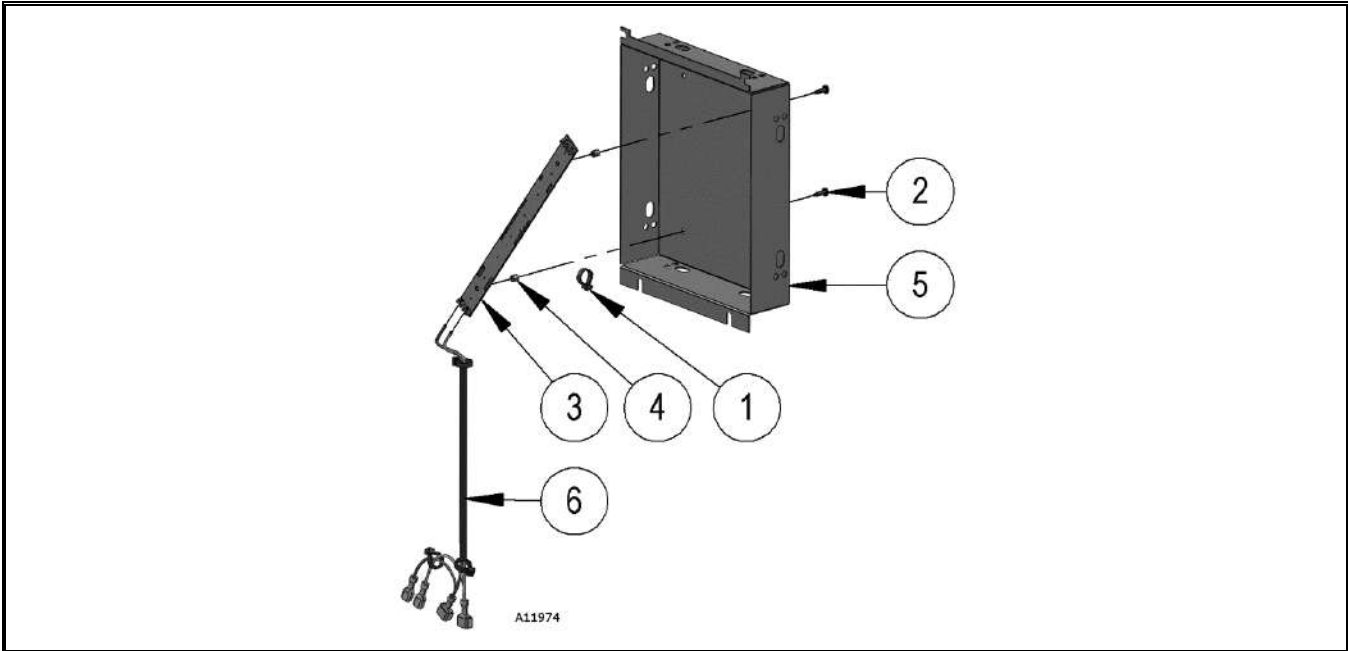
24 VAC LED ASSEMBLY – TOP PARTS LIST

| ITEM NO. | PART NUMBER | 3561 | 3561A | 3563 | 3563A | DESCRIPTION |
|----------|----------------|------|-------|------|-------|------------------------------|
| 1 | 4219096.000330 | 1 | 1 | 1 | 1 | TOP LED BRACKET |
| 2 | 4215561.019 | 4 | 4 | 4 | 4 | SNAP RIVET/BLACK 1/8 |
| 3 | 4216676 | 4 | 4 | 4 | 4 | NYLON SPACER 1/8 X 3/16 |
| 4 | 4216693.003 | 2 | 2 | 2 | 2 | 20 GA WIRE/BLACK-3" |
| 5 | 4217707 | 2 | 2 | 2 | 2 | DUAL 24 VAC LED LIGHT ENGINE |
| 6 | 4216692 | 2 | 2 | 2 | 2 | .187 WIRE ASSEMBLY-10" |
| 7 | 4216691.006 | 2 | 2 | 2 | 2 | TAB WIRE ASSEMBLY - 10" |

* SPECIFY COLOR
AR AS REQUIRED

† SPECIFY VOLTAGE/ HEATED/UN-HEATED
‡ SPECIFY SOFTWARE VERSION

POINT-OF-PURCHASE 24 VAC LED ASSEMBLY (S/N < 1345906)



POINT-OF-PURCHASE 24 VAC LED ASSEMBLY PARTS LIST

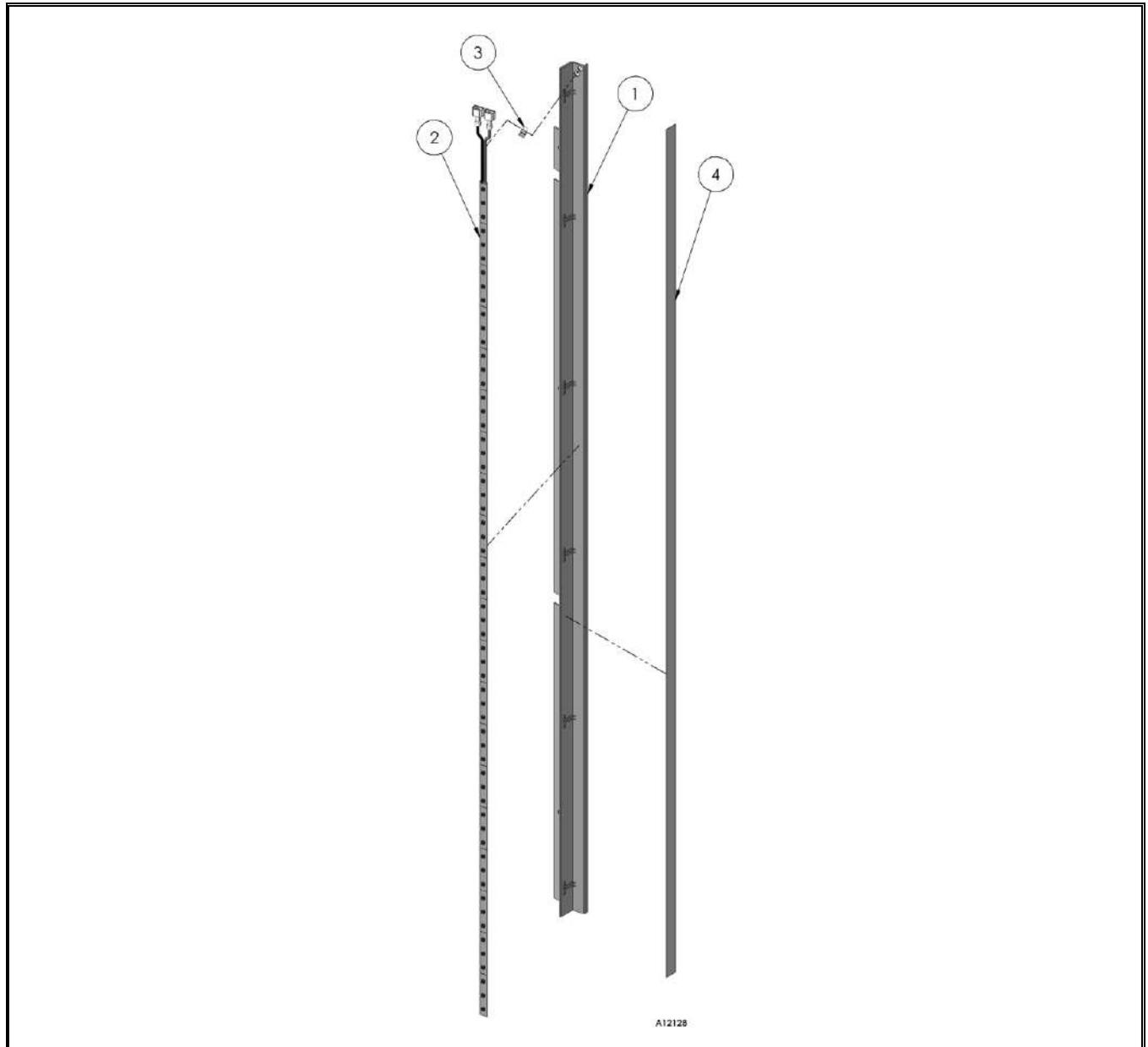
| ITEM NO. | PART NUMBER | 3561 | 3561A | 3563 | 3563A | DESCRIPTION |
|----------|----------------|------|-------|------|-------|-------------------------|
| 1 | 4033704 | 1 | 1 | 1 | 1 | CABLE TIE |
| 2 | 4215561.019 | 2 | 2 | 2 | 2 | SNAP RIVET/BLACK 1/8 |
| 3 | 4216544 | 1 | 1 | 1 | 1 | 24 VAC LED LIGHT ENGINE |
| 4 | 4216676 | 2 | 2 | 2 | 2 | NYLON SPACER 1/8 X 3/16 |
| 5 | 4219727.000306 | 1 | 1 | 1 | 1 | LED MOUNTING COVER |
| 6 | 4220188 | 1 | 1 | 1 | 1 | LED POWER HARNESS |

* SPECIFY COLOR
AR AS REQUIRED

† SPECIFY VOLTAGE/ HEATED/UN-HEATED
‡ SPECIFY SOFTWARE VERSION

12 VDC LED LIGHTING (DOOR)

12 VDC LED ASSEMBLY 12VDC- LOCK SIDE (S/N ≥ 1345906)



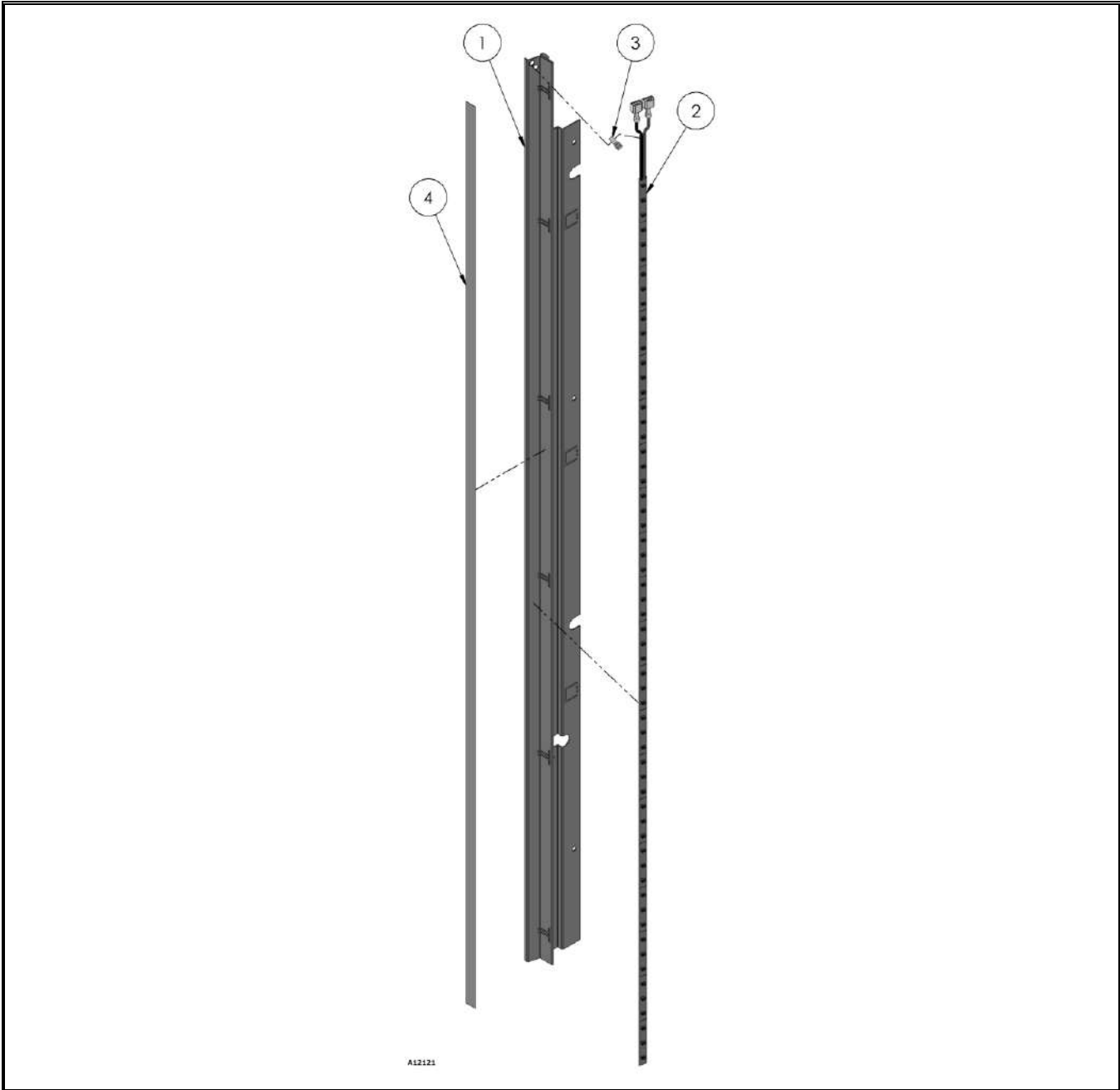
12 VDC LED ASSEMBLY - LOCK SIDE PARTS LIST

| ITEM NO. | PART NUMBER | 3561 | 3561A | 3563 | 3563A | DESCRIPTION |
|----------|----------------|--------|--------|--------|--------|--------------------------------|
| 1 | 4222460.001309 | 1 | 1 | 1 | 1 | LED STRIP MOUNT-LH / ELEVATOR |
| 2 | 4220902 | 1 | 1 | 1 | 1 | 12 VDC LED SIDE STRIP ASSEMBLY |
| 3 | 4033704 | 1 | 1 | 1 | 1 | CABLE TIE |
| 4 | 4222592 | 3.33FT | 3.33FT | 3.33FT | 3.33FT | METALIZED TAPE-1/2" X 72 |

* SPECIFY COLOR
AR AS REQUIRED

† SPECIFY VOLTAGE/ HEATED/UN-HEATED
‡ SPECIFY SOFTWARE VERSION

12 VDC LED ASSEMBLY - HINGE SIDE (S/N ≥ 1345906)



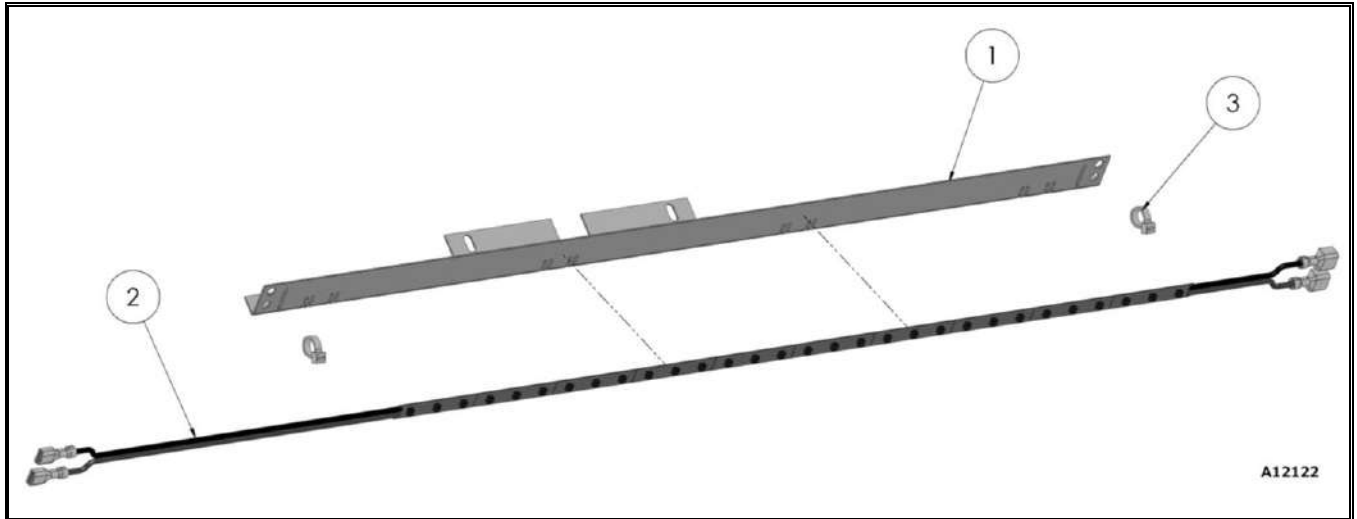
12 VDC LED ASSEMBLY - HINGE SIDE PARTS LIST

| ITEM NO. | PART NUMBER | 3561 | 3561A | 3563 | 3563A | DESCRIPTION |
|----------|----------------|--------|--------|--------|--------|--------------------------------|
| 1 | 4222461.001309 | 1 | 1 | 1 | 1 | LED STRIP MOUNT-RH / ELEVATOR |
| 2 | 4220902.005 | 1 | 1 | 1 | 1 | 12 VDC LED SIDE STRIP ASSEMBLY |
| 3 | 4033704 | 1 | 1 | 1 | 1 | CABLE TIE |
| 4 | 4222592 | 3.33FT | 3.33FT | 3.33FT | 3.33FT | METALIZED TAPE-1/2" X 72 |

* SPECIFY COLOR
AR AS REQUIRED

† SPECIFY VOLTAGE/ HEATED/UN-HEATED
‡ SPECIFY SOFTWARE VERSION

12 VDC LED ASSEMBLY - TOP (S/N ≥ 1345906)



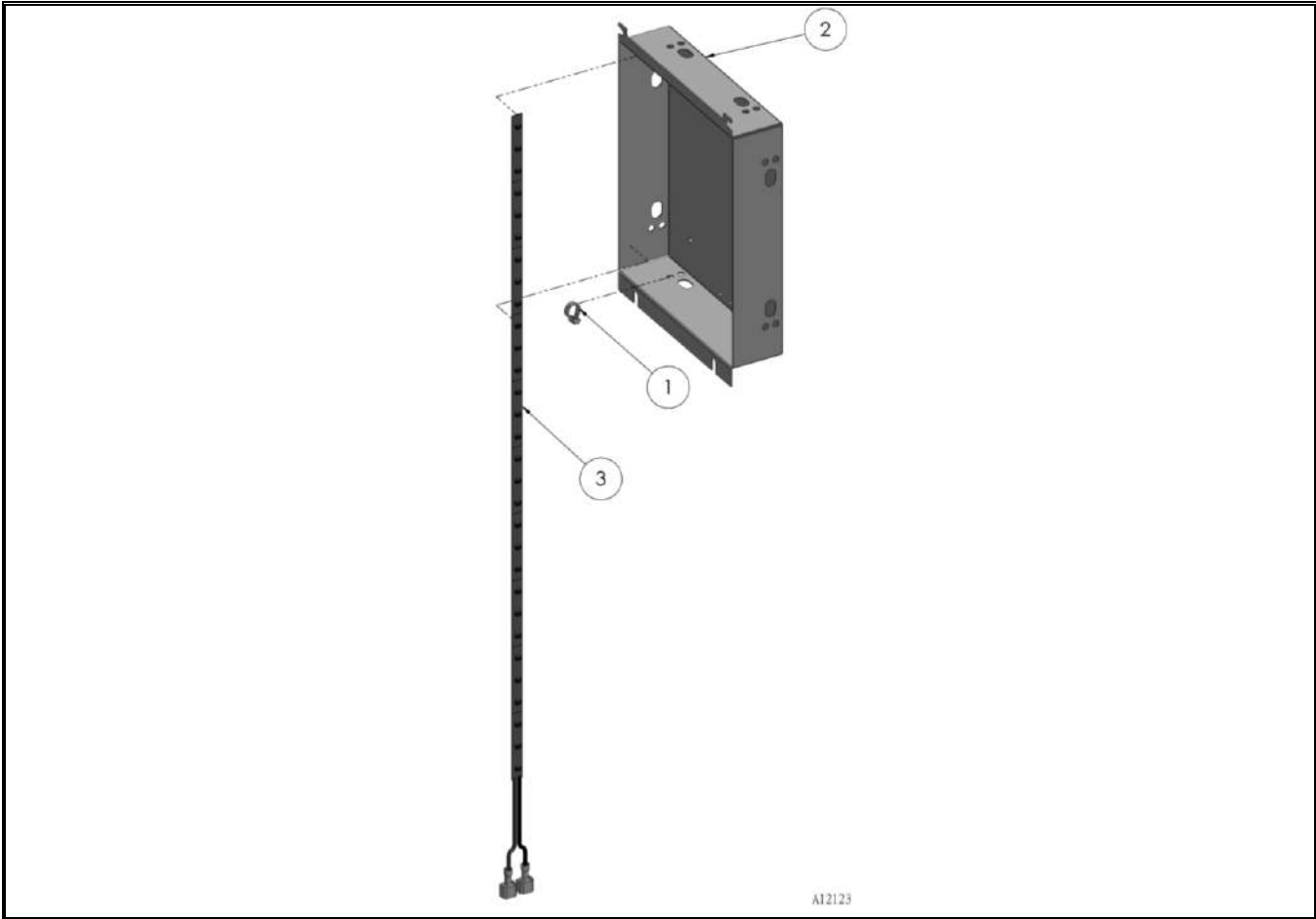
12 VDC LED ASSEMBLY - TOP PARTS LIST

| ITEM NO. | PART NUMBER | 3561 | 3561A | 3563 | 3563A | DESCRIPTION |
|----------|----------------|------|-------|------|-------|--------------------------------|
| 1 | 4222211.000309 | 1 | 1 | 1 | 1 | LED STRIP MOUNT-TOP |
| 2 | 4220902.004 | 1 | 1 | 1 | 1 | 12 VDC LED SIDE STRIP ASSEMBLY |
| 3 | 4033704 | 2 | 2 | 2 | 2 | CABLE TIE |

* SPECIFY COLOR
AR AS REQUIRED

† SPECIFY VOLTAGE/ HEATED/UN-HEATED
†† SPECIFY SOFTWARE VERSION

POINT-OF-PURCHASE 12 VDC LED ASSEMBLY (S/N ≥ 1345906)



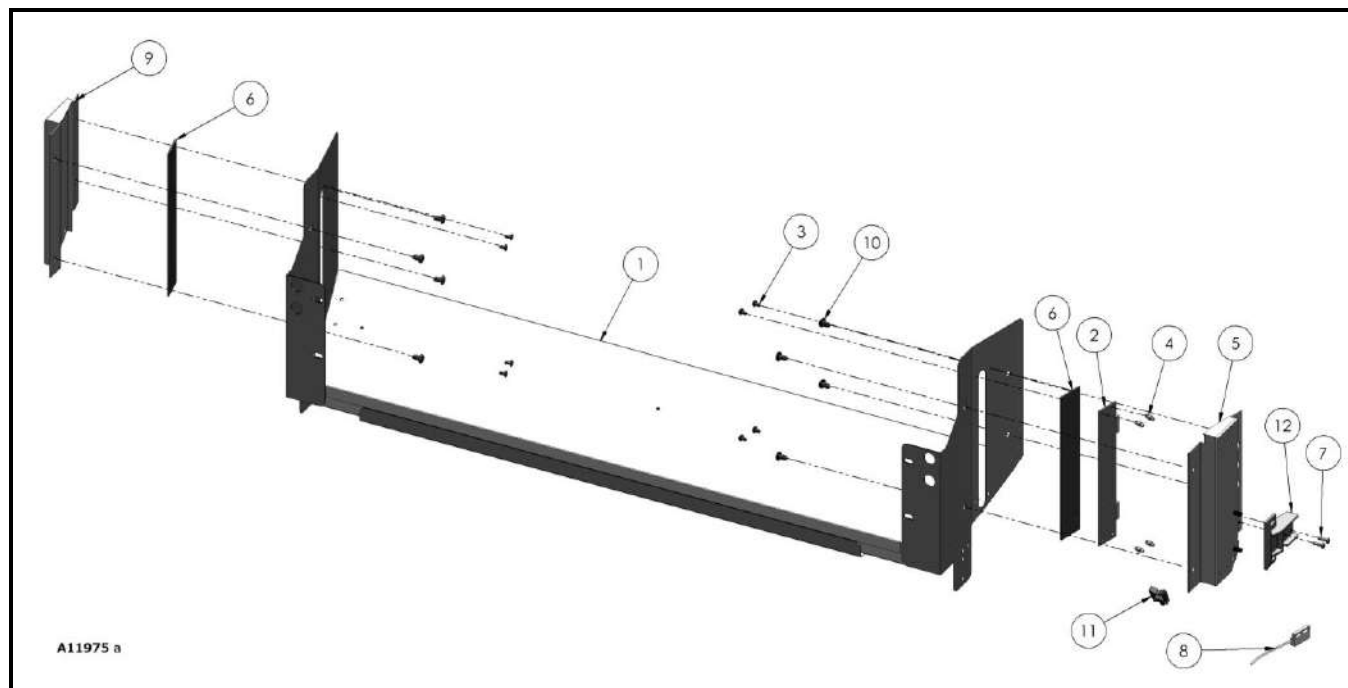
POINT-OF-PURCHASE 12 VDC LED ASSEMBLY PARTS LIST

| ITEM NO. | PART NUMBER | 3561 | 3561A | 3563 | 3563A | DESCRIPTION |
|----------|----------------|------|-------|------|-------|-------------------------|
| 1 | 4033704 | 1 | 1 | 1 | 1 | CABLE TIE |
| 2 | 4219727.000306 | 1 | 1 | 1 | 1 | LED STRIP MOUNT COVER |
| 3 | 4220902.002 | 1 | 1 | 1 | 1 | 12 VDC LED LIGHT ENGINE |

* SPECIFY COLOR
AR AS REQUIRED

† SPECIFY VOLTAGE/ HEATED/UN-HEATED
‡ SPECIFY SOFTWARE VERSION

DELIVERY BUCKET ASSEMBLY



DELIVERY BUCKET ASSEMBLY PARTS LIST

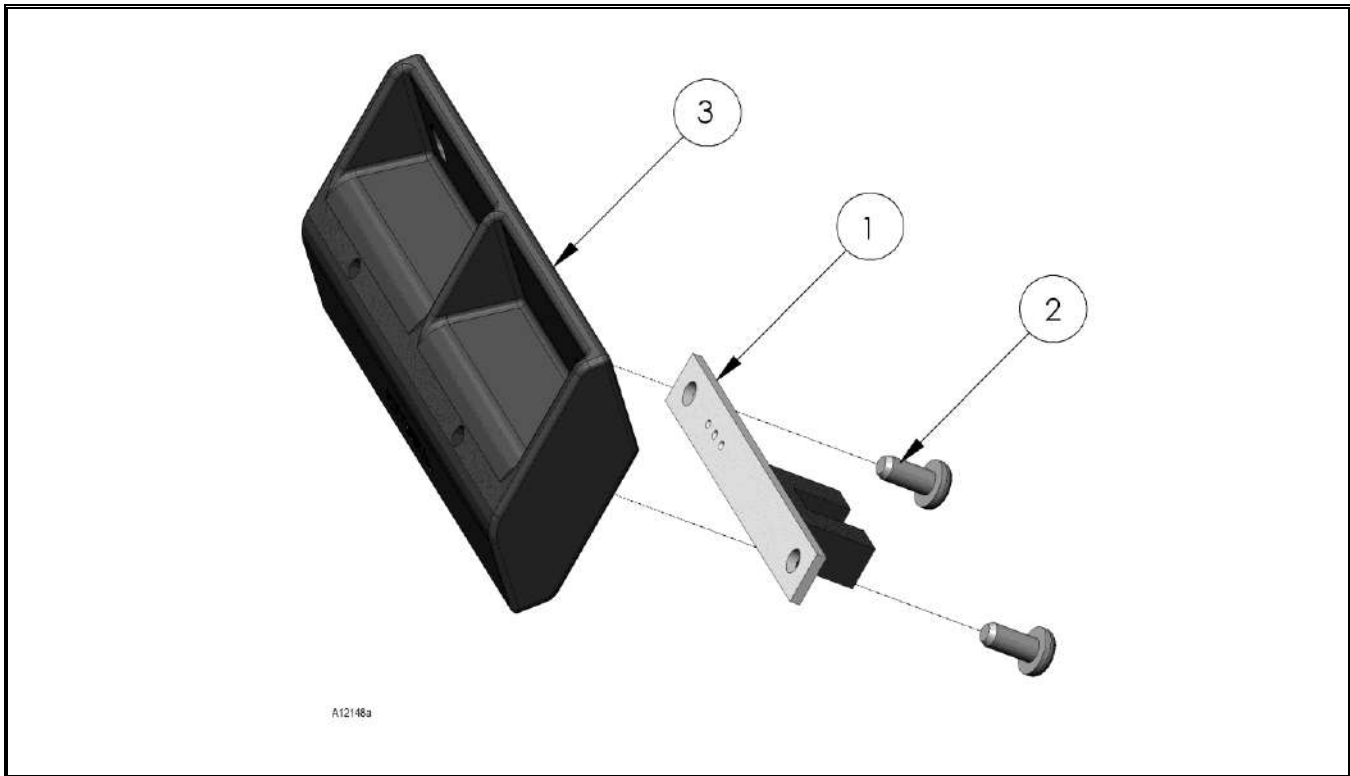
| ITEM NO. | PART NUMBER | 3561 | 3561A | 3563 | 3563A | DESCRIPTION |
|----------|-------------------|------|-------|------|-------|---|
| 1 | 1218010.000330 | 1 | 1 | 1 | 1 | DELIVERY BUCKET WELD |
| 2 | 4212464.015 | 1 | 1 | 1 | 1 | DELIVERY SENSOR/COMP/COATED/ELEVATOR |
| 3 | 4215561.015 | 8 | 8 | 8 | 8 | SNAP RIVET/BLACK 1/8 |
| 4 | 4218966 | 8 | 8 | 8 | 8 | BOARD STANDOFF |
| 5 | €€ 4222415.001330 | 1 | 1 | 1 | 1 | ELEVATOR DEL SENSOR BRACKET (S/N ≥ 1341294) |
| 6 | 4219405 | 2 | 2 | 2 | 2 | I-VEND SENSOR COVER |
| 7 | 8800024 | 2 | 2 | 2 | 2 | 4-40X3/8 PHIL PH MS |
| 8 | 1218166 | 1 | 1 | 1 | 1 | REED SWITCH HARNESS |
| 9 | €€ 4222416.000330 | 1 | 1 | 1 | 1 | ELEVATOR DEL SENSOR BRACKET (S/N ≥ 1341294) |
| 10 | 4215561.036 | 8 | 8 | 8 | 8 | SNAP RIVET/BLACK 3/16 |
| 11 | 4216313 | 1 | 1 | 1 | 1 | CLAMP |
| 12 | 4220965 | 1 | 1 | 1 | 1 | REED SWITCH MOUNT (S/N ≥ 1341294) |

€€ Order update **Kit #1216062.241** for machines **S/N < 1341294**

* SPECIFY COLOR
AR AS REQUIRED

† SPECIFY VOLTAGE/ HEATED/UN-HEATED
‡ SPECIFY SOFTWARE VERSION

OPTICAL SENSOR ASSEMBLY



OPTICAL SENSOR ASSEMBLY PARTS LIST

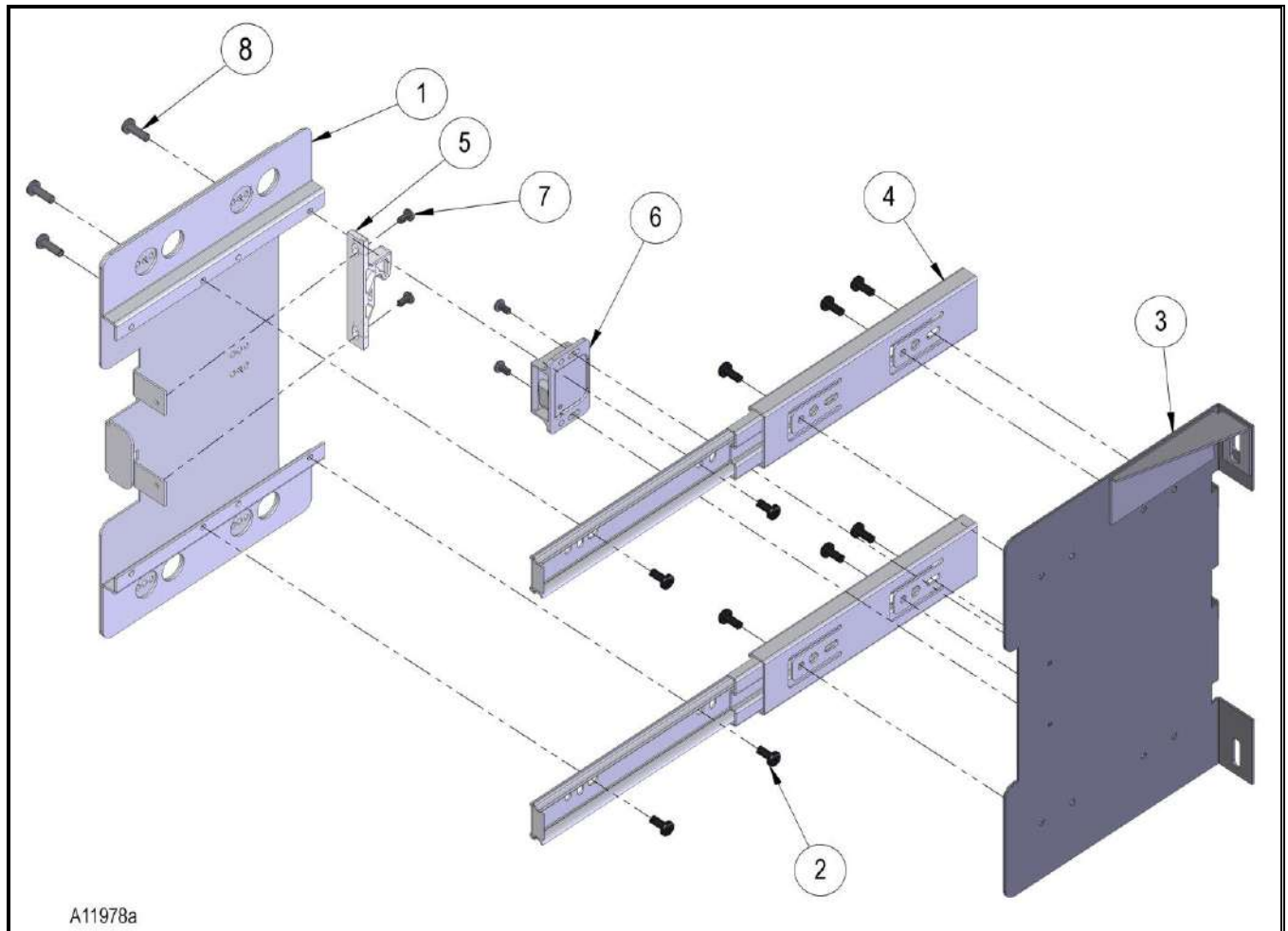
| ITEM NO. | PART NUMBER | 3561 | 3561A | 3563 | 3563A | DESCRIPTION |
|----------|-------------|------|-------|------|-------|--|
| 1 | 4219020 | 1 | 1 | 1 | 1 | OPTICAL SWITCH PCB |
| 2 | **4223896 | 1 | 1 | 1 | 1 | OPTICAL SWITCH PCB MOUNT (S/N > 1374900) |
| 3 | 4220189 | 2 | 2 | 2 | 2 | #4 X 1/4" PHIL PH PTRS ZN |

** New Optical Switch PCB Bracket is backward compatible. Need item #3 to install Optical Switch PCB #2.

* SPECIFY COLOR
AR AS REQUIRED

† SPECIFY VOLTAGE/ HEATED/UN-HEATED
†† SPECIFY SOFTWARE VERSION

COIN MECH MOUNT ASSEMBLY



A11978a

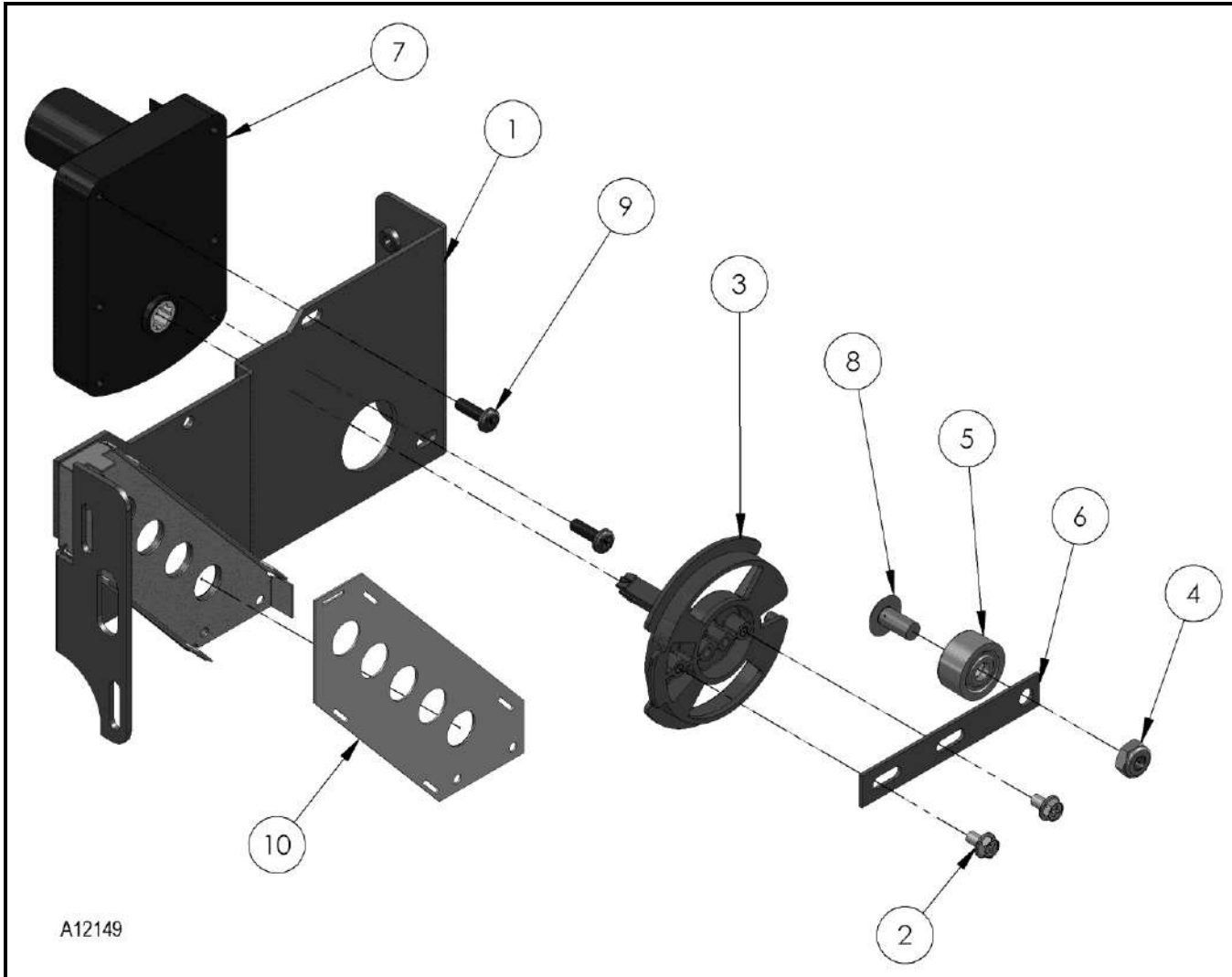
COIN MECH MOUNT ASSEMBLY PARTS LIST

| ITEM NO. | PART NUMBER | 3561 | 3561A | 3563 | 3563A | DESCRIPTION |
|----------|----------------|------|-------|------|-------|--------------------------------|
| 1 | 1218336.000330 | 1 | 1 | 1 | 1 | COIN MECH MOUNT WELD |
| 2 | 4050239 | 10 | 10 | 10 | 10 | 8-32X3/8 PHL PH TY-T SCREW |
| 3 | 1218548.000330 | 1 | 1 | 1 | 1 | COIN MECH SLIDE MOUNT WELD |
| 4 | 4219619 | 2 | 2 | 2 | 2 | 6" ROLLER SLIDE |
| 5 | 4219878.002 | 1 | 1 | 1 | 1 | GRABBER CATCH KEEPER |
| 6 | 4219878.001 | 1 | 1 | 1 | 1 | GRABBER CATCH LATCH |
| 7 | 7320289.000 | 4 | 4 | 4 | 4 | 6-32X1/4 PHL PH TAPTITE SCREW |
| 8 | 8800636 | 3 | 3 | 3 | 3 | 8-18X1/2" PHIL PH TYPE-B SCREW |

* SPECIFY COLOR
AR AS REQUIRED

† SPECIFY VOLTAGE/ HEATED/UN-HEATED
‡ SPECIFY SOFTWARE VERSION

COIN RETURN MECHANISM ASSEMBLY



A12149

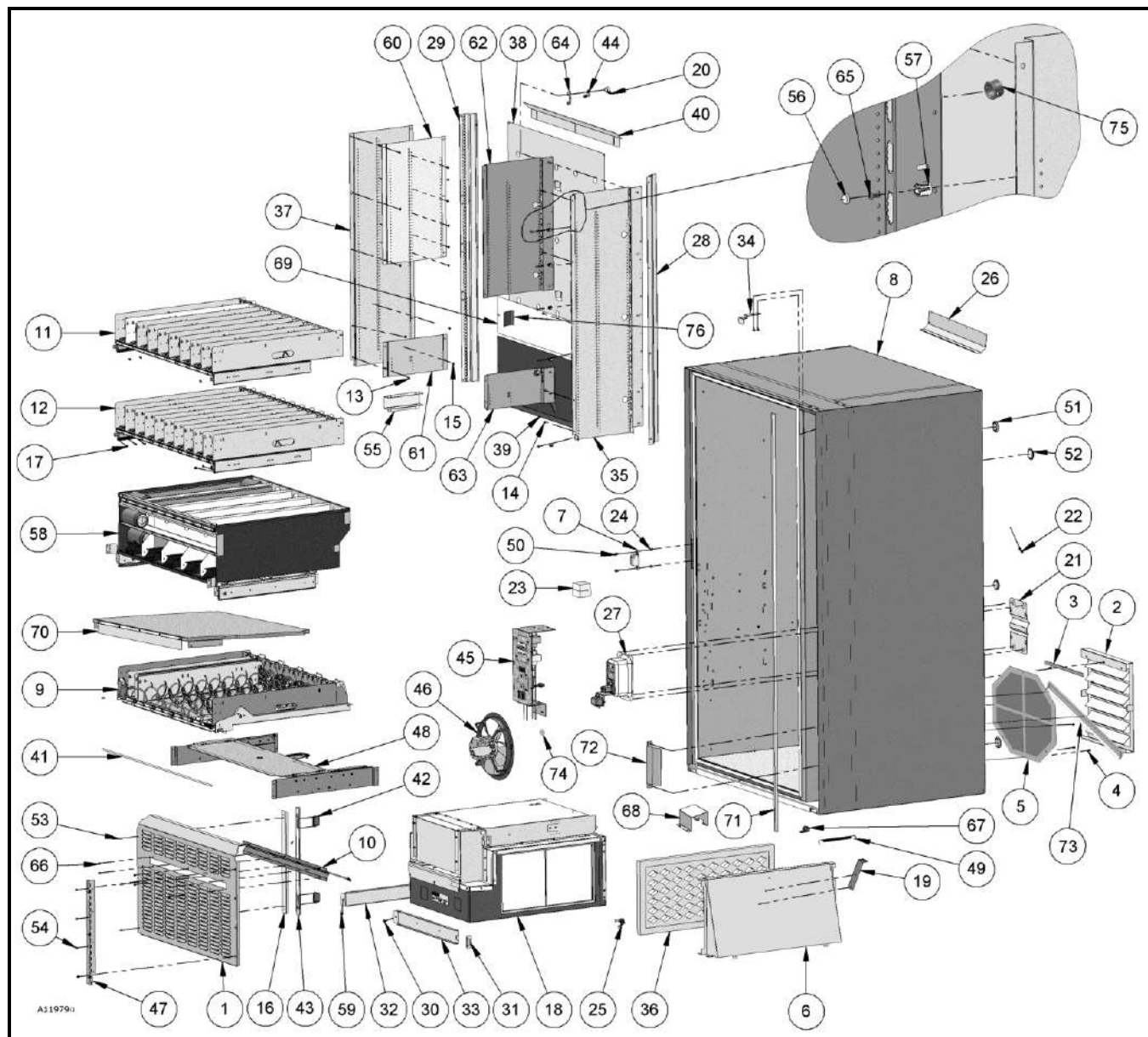
COIN RETURN MECHANISM ASSEMBLY PARTS LIST

| ITEM NO. | PART NUMBER | 3561 | 3561A | 3563 | 3563A | DESCRIPTION |
|----------|----------------|------|-------|------|-------|--------------------------|
| 1 | 1218521.000330 | 1 | 1 | 1 | 1 | COIN CHUTE WELD |
| 2 | 4050420 | 2 | 2 | 2 | 2 | 8-18X1/4 PHIL HWH TYP- |
| 3 | 4216378 | 1 | 1 | 1 | 1 | SPIRAL ADAPTER |
| 4 | 4216407 | 1 | 1 | 1 | 1 | 1/4-20 NYLON INSERT NUT |
| 5 | 4217738 | 1 | 1 | 1 | 1 | BUSHING |
| 6 | 4219355 | 1 | 1 | 1 | 1 | COIN RETURN ROLLER MOUNT |
| 7 | 4219909 | 1 | 1 | 1 | 1 | MOTOR-24VDC/360/DS/SCREW |
| 8 | 7200469.014 | 1 | 1 | 1 | 1 | 1/4-20X1/2 PHIL RH MS |
| 9 | 8800636 | 2 | 2 | 2 | 2 | 8-18X1/2 PHIL PH TYPE-B |
| 10 | 4219367.000330 | 1 | 1 | 1 | 1 | COIN CHUTE BACK |

* SPECIFY COLOR
AR AS REQUIRED

† SPECIFY VOLTAGE/ HEATED/UN-HEATED
‡ SPECIFY SOFTWARE VERSION

ELEVATOR CABINET ASSEMBLY



ELEVATOR CABINET ASSEMBLY PARTS LIST

| ITEM NO. | PART NUMBER | 3561 | 3561A | 3563 | 3563A | DESCRIPTION |
|----------|----------------|-------|--------|-------|--------|------------------------------|
| 1 | 4218858 | 1 | 1 | 1 | 1 | STORAGE SECURITY COVER |
| 2 | 4215819 | 1 | 1 | 1 | 1 | BACK SCREEN COVER |
| 3 | 4209845 | 2.3FT | 2.3 FT | 2.3FT | 2.3 FT | PROTECTIVE WINDOW SEAL 1/2" |
| 4 | 8800638 | 6 | 6 | 6 | 6 | 10-16X3/8 PHL PH TYPE |
| 5 | 1217222 | 1 | 1 | 1 | 1 | SCREEN WELD (S/N < 1344361) |
| | 1219173 | 1 | 1 | 1 | 1 | SCREEN WELD (S/N ≥ 1344361) |
| 6 | 1217911.000330 | 1 | 1 | 1 | 1 | INTAKE HOOD FILTER RACK WELD |
| 7 | 1218000 | 1 | 1 | 1 | 1 | LATCH MOUNT ASSEMBLY |

* SPECIFY COLOR
AR AS REQUIRED

† SPECIFY VOLTAGE/ HEATED/UN-HEATED
‡ SPECIFY SOFTWARE VERSION

| ITEM NO. | PART NUMBER | 3561 | 3561A | 3563 | 3563A | DESCRIPTION |
|----------|---|------|-------|------|-------|--|
| 8 | 1217691.000330 | 1 | 1 | 1 | 1 | CABINET FOAM ASSEMBLY |
| 9 | SEE PAGE # 35 | AR | AR | AR | AR | SNACK STEEL TRAY ASSEMBLY OLD - SEE PAGE # 29 |
| 10 | SEE PAGE # 41 | 1 | 1 | 1 | 1 | LOUVER PANEL 24 VAC LED ENGINE ASSEMBLY |
| | SEE PAGE # 42 | 1 | - | 1 | - | LOUVER PANEL 12 VDC LED STRIP ASSEMBLY |
| 11 | SEE PAGE # 37 | AR | AR | AR | AR | C & B TRAY ASSEMBLY 9 SELECT OLD - SEE PAGE # 31 |
| 12 | SEE PAGE # 37 | AR | AR | AR | AR | C & B TRAY ASSEMBLY 10 SELECT OLD - SEE PAGE # 31 |
| 13 | 4050239 | AR | AR | AR | AR | 8-32X3/8 PHL PH TYP-T |
| 14 | 4050241.001 | AR | AR | AR | AR | 8-18X 3/4 PHIL PD/BLACK |
| 15 | 4050420.001 | AR | AR | AR | AR | 8-18X1/4 PHIL HWH TY-/BLACK |
| 16 | 4219634 | 1 | 1 | 1 | 1 | STORAGE SECURITY DOOR BACK PLATE |
| 17 | 4050423 | 6 | 6 | 6 | 6 | 8-18X3/8 PHIL PH TY-A |
| 18 | 1218142 | 1 | - | 1 | - | REFER MODULE-1/3HP/115 VAC |
| | 1218142.001 | - | 1 | - | 1 | REFER MODULE-1/3HP/230VAC SEE PAGE # 51 |
| 19 | 4219790 | 1 | 1 | 1 | 1 | DOOR SPRING RETAINER |
| 20 | 8324099.14 | 1 | 1 | 1 | 1 | CLAMP - 3/8 X 1/8 |
| 21 | 4213448.000330 | 1 | 1 | 1 | 1 | CONNECTION BOX COVER |
| 22 | 4213784 | 1 | 1 | 1 | 1 | PUSH BUTTON WIRE TIE |
| 23 | 4214006 | 2 | 2 | 2 | 2 | HARNES INSUL BLOCK |
| 24 | 4215383 | 2 | 2 | 2 | 2 | 10-24 HEX NUT INSERT |
| 25 | 4215633.001 | 2 | 2 | 2 | 2 | SMALL BINDER CLIP |
| 26 | 4215799.000330 | 1 | 1 | 1 | 1 | AIR BAFFLE BACK |
| 27 | SEE PAGE # 26 & PAGE # 28 | 1 | - | 1 | - | CONNECTION BOX ASSEMBLY (115 V) |
| | | - | 1 | - | 1 | CONNECTION BOX ASSEMBLY (220 V) |
| 28 | 4217340 | 1 | 1 | 1 | 1 | RIGHT BACK RAIL SUPPORT |
| 29 | 4217341 | 1 | 1 | 1 | 1 | LEFT BACK RAIL SUPPORT |
| 30 | 4217354 | 1 | 1 | 1 | 1 | 1/4-20 X 5/8 PHL PH |
| 31 | 4217512 | 2 | 2 | 2 | 2 | REFER HOLD DOWN RETAINER |
| 32 | 4217513 | 1 | 1 | 1 | 1 | SIDE REFER HOLD DOWN |
| 33 | 4217514 | 1 | 1 | 1 | 1 | FRONT REFER HOLD DOWN |
| 34 | 4217698 | 1 | 1 | 1 | 1 | SWITCH ACTIVATOR |
| 35 | 4218716.000330 | 1 | 1 | 1 | 1 | RAIL MOUNT-RH (S/N < 1344361) |
| | 4223184.000330 | 1 | 1 | 1 | 1 | RAIL MOUNT-RH (S/N ≥ 1344361) |
| 36 | 4218114 | 2 | 2 | 2 | 2 | AIR FILTER (12x25x1) |
| 37 | 4218715.000330 | 1 | 1 | 1 | 1 | RAIL MOUNT-LH |
| 38 | 4217498.000330 | 1 | 1 | - | - | SZ AIR BLOCK(5W) |
| 39 | 4217496.000330 | 1 | 1 | 1 | 1 | BOTTOM AIR BLOCK(5W) |
| 40 | 4217386 | 1 | 1 | 1 | 1 | AIR DEFLECTOR(5W) |
| 41 | 4218849.000330 | 1 | 1 | 1 | 1 | PRODUCT DEFLECTOR ROD |
| 42 | 4218850 | 2 | 2 | 2 | 2 | MAGNETIC LATCH |
| 43 | 4218859.000330 | 1 | 1 | 1 | 1 | L BRACKET STOPPER |
| 44 | 4214684 | 1 | 1 | 1 | 1 | TEMPERATURE SENSOR |
| 45 | SEE PAGE # 43 | 1 | - | 1 | - | POWER BOX ASSEMBLY (24 VAC LED ENGINE) (110V) |
| | | - | 1 | - | 1 | POWER BOX ASSEMBLY (24 VAC LED ENGINE) (220V) |

* SPECIFY COLOR
AR AS REQUIRED

† SPECIFY VOLTAGE/ HEATED/UN-HEATED
†† SPECIFY SOFTWARE VERSION

| ITEM NO. | PART NUMBER | 3561 | 3561A | 3563 | 3563A | DESCRIPTION |
|----------|---------------------------------|------|-------|------|-------|---|
| | SEE PAGE # 45 | 1 | - | 1 | - | POWER BOX ASSEMBLY (12 VDC LED STRIP) (110V) |
| | SEE PAGE # 47 | - | 1 | - | 1 | POWER BOX ASSEMBLY (INMETRO BRAZIL) (230V/60HZ) |
| 46 | SEE PAGE # 55 | 1 | - | 1 | - | CONDENSER FAN ASSEMBLY/115 VAC |
| | | - | 1 | - | 1 | CONDENSER FAN ASSEMBLY/230 VAC |
| 47 | 4219296 | 1 | 1 | 1 | 1 | SECURITY DOOR HINGE |
| 48 | SEE PAGE # 49 | 1 | 1 | 1 | 1 | BAFFLE ASSEMBLY (S/N > 1269766) |
| 49 | 8361468 | 1 | 1 | 1 | 1 | SPRING BAR RETAINER |
| 50 | 8800829 | 2 | 2 | 2 | 2 | 10-24X3/8 PH TH W/EXTERNAL TOOTH LOCK WASHER |
| 51 | 7250135.000 | 3 | 3 | 3 | 3 | HOLE PLUG, BP-1 3/8" |
| 52 | 7250135.010 | 1 | 1 | 1 | 1 | HOLE PLUG 1 1/4 |
| 53 | 4050667.011 | 3 | 3 | 3 | 3 | 1/8X .125 POP RIVET/ BLACK |
| 54 | 4050423.001 | AR | AR | AR | AR | 8-18 X 1/2 PHIL PH TYP A- BLACK |
| 55 | 4219949.000330 | AR | AR | AR | AR | FILLER BRACKET C/B TRAY (FOR EACH C & B TRAY) |
| 56 | 4218906 | 5 | 5 | 5 | 5 | MAGNET 3/8" DIA X 1/8" |
| 57 | 4221472 | 5 | 5 | 5 | 5 | TRAY MAGNET MOUNT |
| 58 | ‡ SEE PAGE # 39 | - | - | - | - | HIGH CAPACITY CAN TRAY ASSEMBLY (OPTIONAL) OLD - SEE PAGE # 33 |
| 59 | 4212937.016 | 1 | 1 | 1 | 1 | THREAD INSERT,1/4-20 |
| 60 | ‡ 4218699 | - | - | - | - | SHORTER RAIL MOUNT TOP-LH |
| 61 | ‡ 4219958 | - | - | - | - | SHORTER RAIL MOUNT BOTTOM-LH |
| 62 | ‡ 4218700 | - | - | - | - | SHORTER RAIL MOUNT TOP-RH |
| 63 | ‡ 4219959 | - | - | - | - | SHORTER RAIL MOUNT BOTTOM-RH |
| 64 | 4219708 | 1 | 1 | 1 | 1 | SENSOR MOUNT |
| 65 | 4050120 | 5 | 5 | 5 | 5 | 6-32 X 5/16 PHIL PH TYP 23 |
| 66 | 4215561.036 | 6 | 6 | 6 | 6 | SNAP RIVET/BLACK 3/16 |
| 67 | 4220132 | 1 | 1 | 1 | 1 | 5/8" OD CABLE CLAMP |
| 68 | 4220297.000330 | 1 | 1 | 1 | 1 | COIN BOX SUPPORT |
| 69 | 4217497.000330 | - | - | 1 | 1 | MIDDLE AIR BLOCK(5W) |
| 70 | 1217701 | - | - | 1 | 1 | BARRIER ASSEMBLY SEE PAGE # 56 |
| 71 | 4211555 | AR | AR | AR | AR | BEVELED FOAM GASKET 3/4 |
| 72 | 4221531.00030 | 1 | 1 | 1 | 1 | COIN MECH PUSHER |
| 73 | 4222434.000330 | 1 | 1 | 1 | 1 | CONDENSER FAN HARNESS COVER (S/N ≥ 1344361) |
| 74 | 4220406 | 1 | 1 | 1 | 1 | GROUND SYMBOL LABEL |
| 75 | 4223368 | AR | AR | AR | AR | TRAY HARNESS SPLIT BUSHING |
| 76 | 4219982.000330 | 1 | 1 | 1 | 1 | TRAY HARNESS COVER |

LIST OF PARTS NOT SHOWN

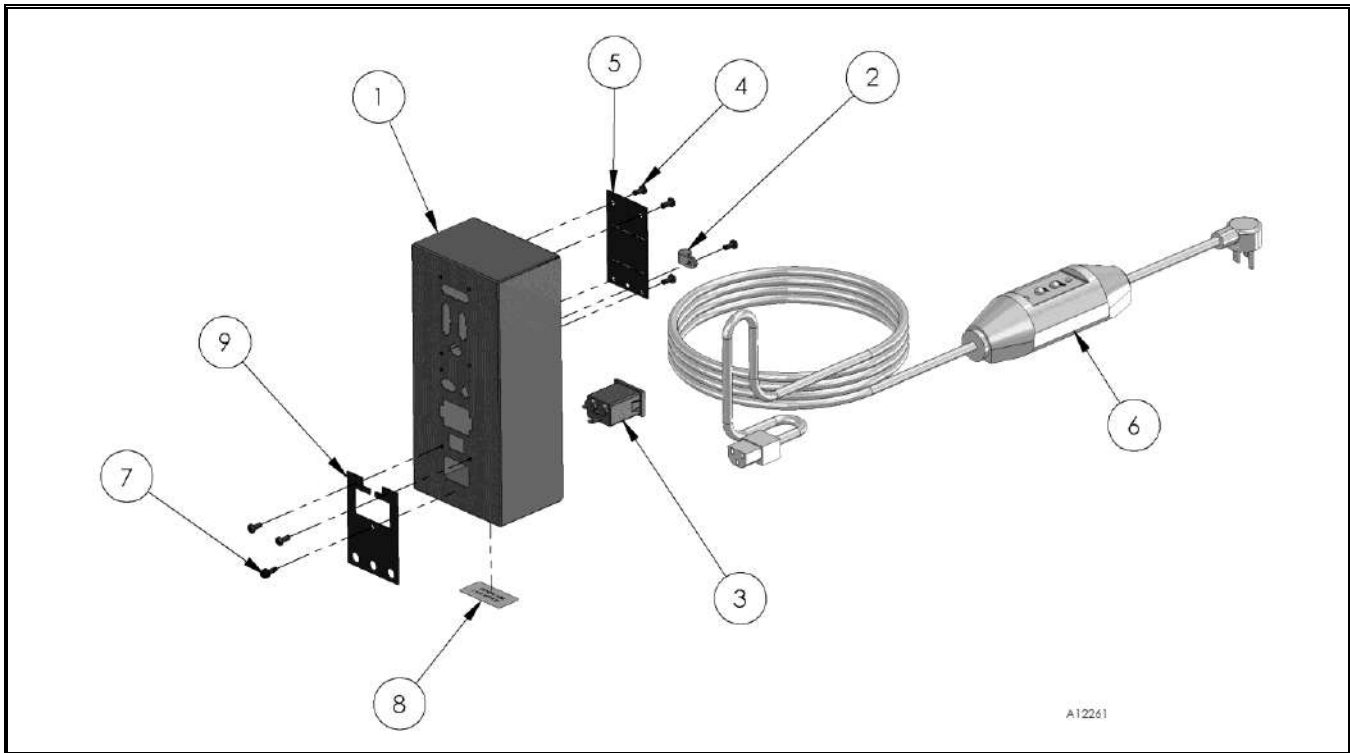
| | | | | | | |
|----|---------|---|---|---|---|--|
| 77 | 4219921 | 1 | 1 | 1 | 1 | MOTOR MATRIX CABINET HARNESS |
| 78 | 4220399 | 1 | 1 | 1 | 1 | POWER HARNESS |
| 79 | 4219492 | 1 | 1 | 1 | 1 | LED POWER HARNESS - SECURITY DOOR |
| 80 | 4219109 | 1 | 1 | 1 | 1 | OPTICAL SWITCH HARNESS |
| 81 | 4219118 | 1 | 1 | 1 | 1 | MOTOR/ENCODER/DETECTOR HARNESS |
| 82 | 4219869 | 1 | 1 | 1 | 1 | CENTER SEAL 2 POS C FOR TEMPERATURE SENSOR |

‡ ITEM NO # 60, 61, 62 & 63 ARE PART OF ITEM NO # 58 – HIGH CAPACITY CAN TRAY ASSEMBLY (OPTIONAL)

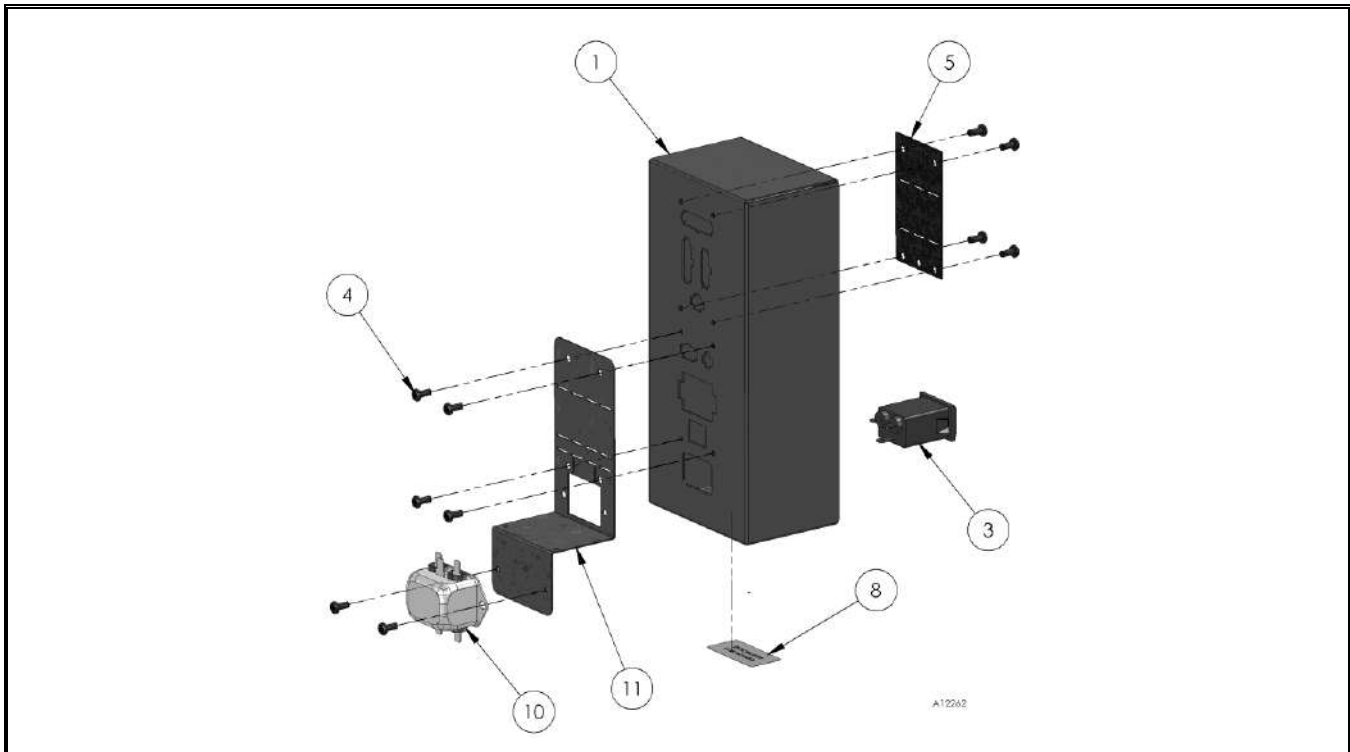
* SPECIFY COLOR
AR AS REQUIRED

† SPECIFY VOLTAGE/ HEATED/UN-HEATED
‡‡ SPECIFY SOFTWARE VERSION

CONNECTION BOX ASSEMBLY (110 VAC) (S/N ≥ 1345906)



CONNECTION BOX ASSEMBLY (220 VAC) (S/N ≥ 1345906)



* SPECIFY COLOR
AR AS REQUIRED

† SPECIFY VOLTAGE/ HEATED/UN-HEATED
‡ SPECIFY SOFTWARE VERSION

CONNECTION BOX ASSEMBLY (115 VAC & 230 VAC) PARTS LIST

| ITEM NO. | PART NUMBER | 3561 | 3561A | 3563 | 3563A | DESCRIPTION |
|----------|----------------|------|-------|------|-------|-----------------------------|
| 1 | 4223404.000330 | 1 | 1 | 1 | 1 | CONNECTION BOX |
| 2 | 8324099.4 | 1 | - | 1 | - | 3/8 x 3/8 CLAMP |
| 3 | 4212490.001 | 1 | 1 | 1 | 1 | RFI FILTER IEC SOCKET 10AMP |
| 4 | 4050239.001 | 12 | 14 | 12 | 14 | 8-32 x 3/8 PHIL PH TYP 23 |
| 5 | 4217384 | 1 | 1 | 1 | 1 | CONNECTION BOX FILLER |
| 6 | 4216016 | 1 | - | 1 | - | GFCI POWER CORD |
| 7 | 4050202 | 1 | - | 1 | - | 8-18X1/2 PHIL HWH TEK/BLK |
| 8 | 4224489 | 1 | 1 | 1 | 1 | 1" X 2" LABEL |
| 9 | 4220099 | 1 | - | 1 | - | HARNESS SPRING MOUNT |
| 10 | 4220377 | - | 1 | - | 1 | EMI FILTER |
| 11 | 4220378 | - | 1 | - | 1 | EMI FILTER BRACKET |

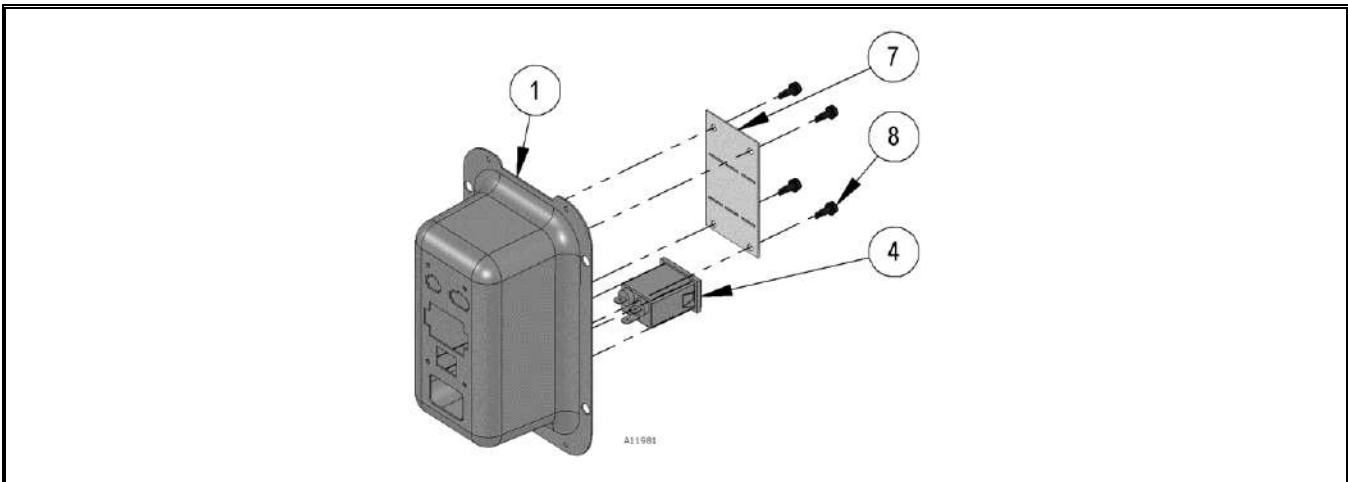
LIST OF PARTS NOT SHOWN

| | | | | | | |
|----|---------|---|---|---|---|-----------------------|
| 12 | 4220399 | 1 | 1 | 1 | 1 | POWER HARNESS |
| 13 | 4220398 | - | 1 | - | 1 | 230VAC FILTER HARNESS |

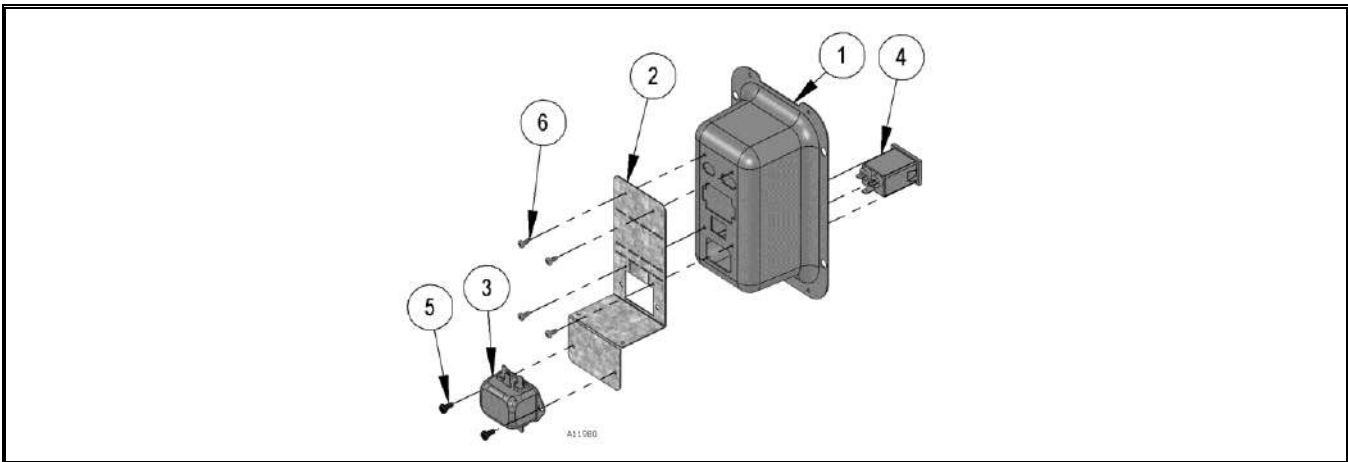
* SPECIFY COLOR
AR AS REQUIRED

† SPECIFY VOLTAGE/ HEATED/UN-HEATED
†† SPECIFY SOFTWARE VERSION

CONNECTION BOX ASSEMBLY (115 VAC) (S/N < 1345906)



CONNECTION BOX ASSEMBLY (230 VAC) (S/N < 1345906)



CONNECTION BOX ASSEMBLY (115 VAC & 230 VAC) PARTS LIST

| ITEM NO. | PART NUMBER | 3561 | 3561A | 3563 | 3563A | DESCRIPTION |
|----------|----------------|------|-------|------|-------|-----------------------------|
| 1 | 4216393.000330 | 1 | 1 | 1 | 1 | CONNECTION BOX |
| 2 | 4220378 | - | 1 | - | 1 | EMI FILTER BRACKET |
| 3 | 4220377 | - | 1 | - | 1 | EMI FILTER |
| 4 | 4212490.002 | 1 | 1 | 1 | 1 | RFI FILTER IEC SOCKET 10AMP |
| 5 | 4050239 | - | 2 | - | 2 | 8-32 x 3/8 PHIL PH TYP 23 |
| 6 | 4050120 | - | 4 | - | 4 | 6-32 X 5/16 PHIL PH TYP |
| 7 | 4217384 | 1 | - | 1 | - | CONNECTION BOX FILLER |
| 8 | 4050202 | 4 | - | 4 | - | 8-18X1/2 PHIL HWH TEK/BLK |

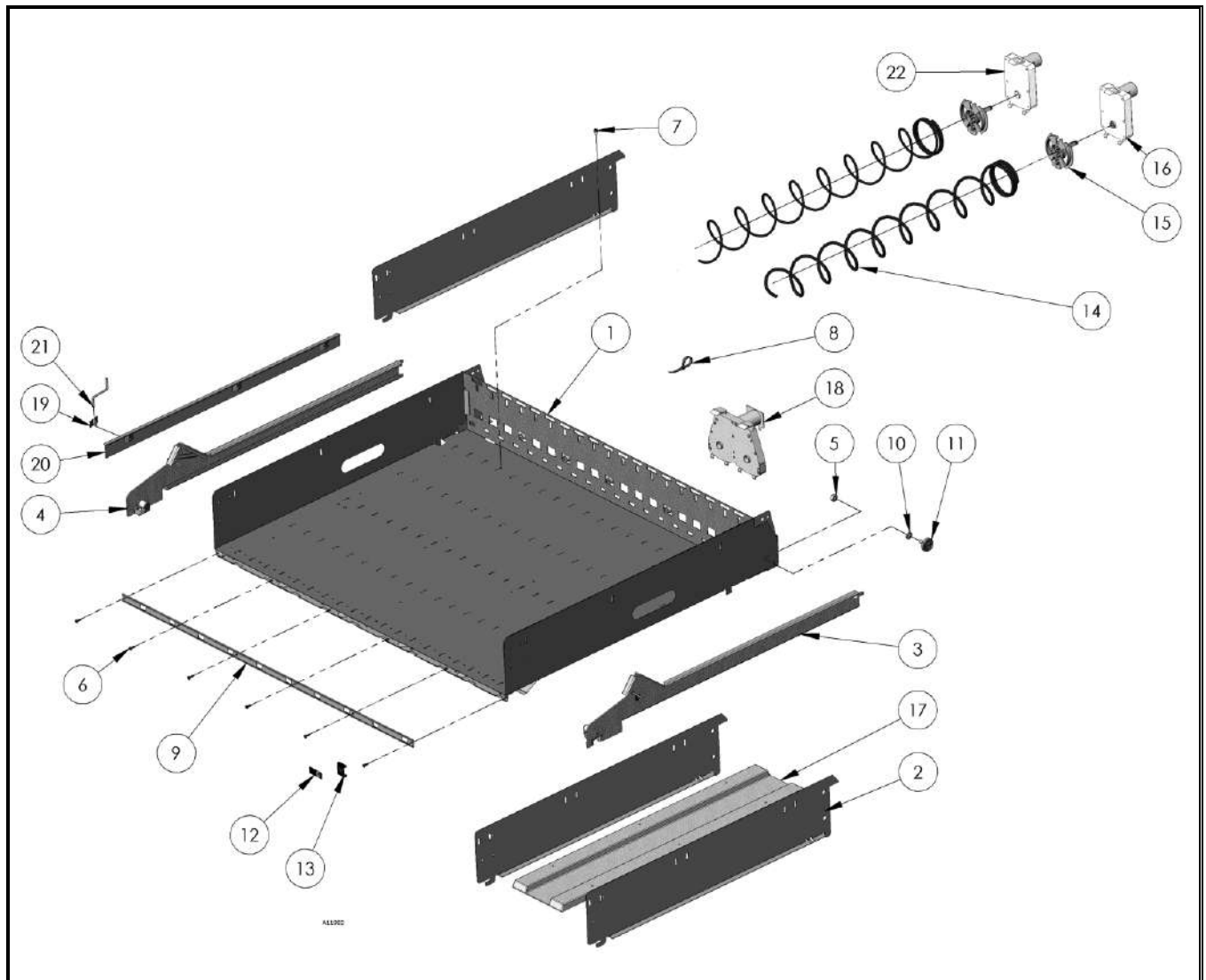
LIST OF PARTS NOT SHOWN

| | | | | | | |
|----|---------|---|---|---|---|-----------------------|
| 9 | 4220399 | 1 | 1 | 1 | 1 | POWER HARNESS |
| 10 | 4220398 | - | 1 | - | 1 | 230VAC FILTER HARNESS |

* SPECIFY COLOR
AR AS REQUIRED

† SPECIFY VOLTAGE/ HEATED/UN-HEATED
‡ SPECIFY SOFTWARE VERSION

SNACK STEEL TRAY ASSEMBLY (S/N < 1360592)



SNACK STEEL TRAY ASSEMBLY PARTS LIST

| ITEM NO. | PART NUMBER | 3561 | 3561A | 3563 | 3563A | DESCRIPTION |
|----------|----------------|------|-------|------|-------|-------------------------------|
| 1 | 1218407.000330 | AR | AR | AR | AR | TRAY WELD |
| 2 | 4209261.001330 | AR | AR | AR | AR | TRAY DIVIDER |
| 3 | 1215925 | AR | AR | AR | AR | RAIL ASSEMBLY LONG RIGHT |
| 4 | 1215925.001 | AR | AR | AR | AR | RAIL ASSEMBLY LONG LEFT |
| 5 | 4216407 | AR | AR | AR | AR | 1/4-20 HEX NUT W/NYLON INSERT |
| 6 | 4215561.014 | AR | AR | AR | AR | SNAP RIVET |
| 7 | 4050420 | AR | AR | AR | AR | 8-18X1/4 PHIL HWH TYP -A |
| 8 | 4203509 | AR | AR | AR | AR | CABLE TIE |
| 9 | 4217474 | AR | AR | AR | AR | LABEL HOLDER |
| 10 | 4219379 | AR | AR | AR | AR | FLAT WASHER |
| 11 | 4219392 | AR | AR | AR | AR | ROLLER ASSEMBLY |

* SPECIFY COLOR
AR AS REQUIRED

† SPECIFY VOLTAGE/ HEATED/UN-HEATED
‡ SPECIFY SOFTWARE VERSION

| ITEM NO. | PART NUMBER | 3561 | 3561A | 3563 | 3563A | DESCRIPTION |
|----------|-------------------------------|------|-------|------|-------|---------------------------|
| 12 | 4217483 | AR | AR | AR | AR | SELECTION INDENT SHEET |
| 13 | SEE PAGE # 58 | AR | AR | AR | AR | PRICE SCROLL/.40 TO 2.35 |
| 14 | SEE PAGE # 57 | AR | AR | AR | AR | SPIRALS |
| 15 | 4216378 | AR | AR | AR | AR | SPIRAL ADAPTER |
| 16 | 4219956 | AR | AR | AR | AR | MOTOR SNAP-IN 360 DEG -CW |
| 17 | 4220006 | AR | AR | AR | AR | HELIX RETAINER-STEEL TRAY |
| 18 | 4217527 | AR | AR | AR | AR | DUAL MOTOR-SNAP IN |
| 19 | 4200281 | AR | AR | AR | AR | SPRING CLIP |
| 20 | 8370660.5 | AR | AR | AR | AR | SPACER |
| 21 | 8370998 | AR | AR | AR | AR | SUPPORT-SPACER |
| 22 | 4216379.004 | AR | AR | AR | AR | MOTOR SNAP-IN 360 DEG CCW |

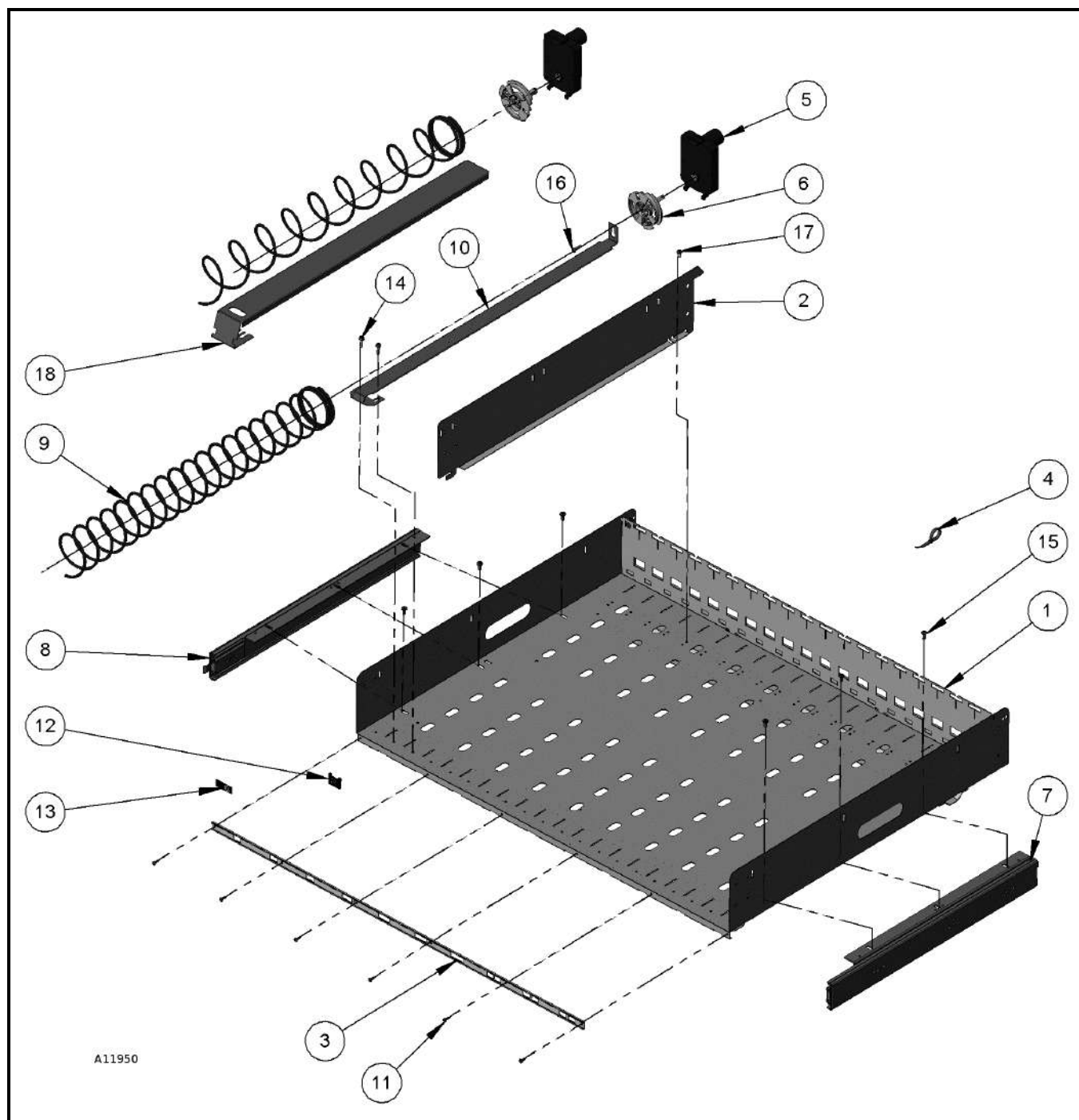
LIST OF PARTS NOT SHOWN

| | | | | | | | |
|----|-------------|----|----|----|----|-----------------|-----------------|
| 23 | 4214343.005 | AR | AR | AR | AR | TRAY HARNESS 5W | (S/N < 1341294) |
| | 4222709.005 | AR | AR | AR | AR | TRAY HARNESS 5W | (S/N ≥ 1341294) |

* SPECIFY COLOR
AR AS REQUIRED

† SPECIFY VOLTAGE/ HEATED/UN-HEATED
‡ SPECIFY SOFTWARE VERSION

CAN & BOTTLE TRAY ASSEMBLY (10 SEL & 9 SEL) (S/N < 1360592)



A11950

* SPECIFY COLOR
AR AS REQUIRED

† SPECIFY VOLTAGE/ HEATED/UN-HEATED
‡ SPECIFY SOFTWARE VERSION

CAN & BOTTLE TRAY ASSEMBLY PARTS LIST

| ITEM NO. | PART NUMBER | 3561 | 3561A | 3563 | 3563A | DESCRIPTION |
|----------|-------------------------------|------|-------|------|-------|-----------------------------------|
| 1 | 1217497.000330 | AR | AR | AR | AR | TRAY WELD (5W) (10 SELECTION) |
| | 1217707.000330 | AR | AR | AR | AR | TRAY WELD (5W) (9 SELECTION) |
| 2 | 4209261.001330 | AR | AR | AR | AR | TRAY DIVIDER |
| 3 | 4217474.001 | AR | AR | AR | AR | LABEL HOLDER (5W) (10 SELECTION) |
| | 4217474.002 | AR | AR | AR | AR | LABEL HOLDER (5W) (9 SELECTION) |
| 4 | 4203509 | AR | AR | AR | AR | CABLE TIE |
| 5 | 4216379.004 | AR | AR | AR | AR | MOTOR SNAP-IN 360 DEG CCW |
| 6 | 4216378 | AR | AR | AR | AR | SPIRAL ADAPTER |
| 7 | 4216381 | AR | AR | AR | AR | ROLLER SLIDE RIGHT |
| 8 | 4216381.001 | AR | AR | AR | AR | ROLLER SLIDE LEFT |
| 9 | SEE PAGE # 57 | AR | AR | AR | AR | SPIRALS |
| 10 | 4218723.000330 | AR | AR | AR | AR | RISER |
| 11 | 7200468.005 | AR | AR | AR | AR | 6-18X1/4" PHIL TH TYP-A SCREW |
| 12 | SEE PAGE # 58 | AR | AR | AR | AR | PRICE SCROLL |
| 13 | 4217483 | AR | AR | AR | AR | SELECTION INDENT SHEET |
| 14 | 4050423.001 | AR | AR | AR | AR | 8-18X3/8 PHIL PH TY-A/BLACK SCREW |
| 15 | 4050420.001 | AR | AR | AR | AR | 8-18X1/4 PHIL HWH TY-/BLACK |
| 16 | 8800636 | AR | AR | AR | AR | 8-18X1/2" PHIL PH TY-B SCREW |
| 17 | 4050420 | AR | AR | AR | AR | 8-18X1/4 PHIL HWH TYP-A SCREW |
| 18 | 4206251.000309 | AR | AR | AR | AR | PRODUCT TRAY SPACER-BLACK |

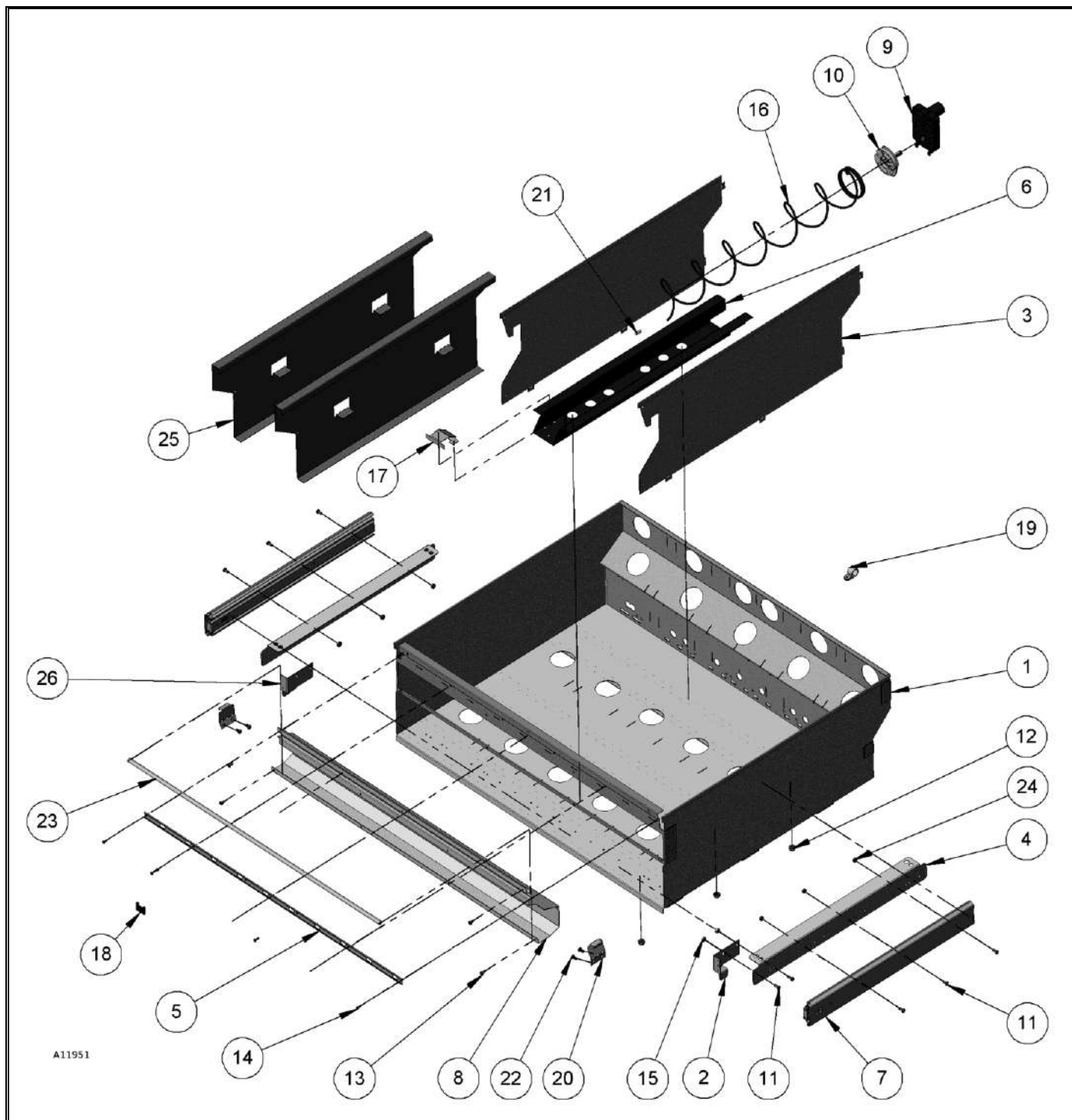
LIST OF PARTS NOT SHOWN

| | | | | | | | |
|----|-------------|----|----|----|----|-----------------|-----------------|
| 23 | 4214343.005 | AR | AR | AR | AR | TRAY HARNESS 5W | (S/N < 1341294) |
| | 4222709.005 | AR | AR | AR | AR | TRAY HARNESS 5W | (S/N ≥ 1341294) |

* SPECIFY COLOR
AR AS REQUIRED

† SPECIFY VOLTAGE/ HEATED/UN-HEATED
†† SPECIFY SOFTWARE VERSION

HIGH CAPACITY CAN TRAY (HCCT) ASSEMBLY (S/N < 1360592)



A11951

* SPECIFY COLOR
AR AS REQUIRED

† SPECIFY VOLTAGE/ HEATED/UN-HEATED
‡ SPECIFY SOFTWARE VERSION

HCC TRAY ASSEMBLY PARTS LIST (OPTIONAL)

| ITEM NO. | PART NUMBER | 3561 | 3561A | 3563 | 3563A | DESCRIPTION |
|----------|-------------------------------|------|-------|------|-------|---|
| 1 | 1218021.000330 | AR | AR | AR | AR | HCC TRAY WELD (5W) |
| 2 | 4218689.000330 | AR | AR | AR | AR | HCCT SLIDE STOP |
| 3 | 4218971.000330 | AR | AR | AR | AR | HCCT DIVIDER |
| 4 | 4214234.000330 | AR | AR | AR | AR | DRAWER SLIDE BRACE |
| 5 | 4217474 | AR | AR | AR | AR | LABEL HOLDER (5W) |
| 6 | 4214092.000330 | AR | AR | AR | AR | SPIRAL RETAINER |
| 7 | 4214233 | AR | AR | AR | AR | DRAWER SLIDE |
| 8 | 4218729.000330 | AR | AR | AR | AR | HCT FRONT BRACE (5W) |
| 9 | 4216379.004 | AR | AR | AR | AR | MOTOR SNAP-IN 360 DEG |
| 10 | 4216378 | AR | AR | AR | AR | SPIRAL ADAPTER |
| 11 | 4050240 | AR | AR | AR | AR | 8-32X3/8 PHIL PH MS |
| 12 | 8800959 | AR | AR | AR | AR | 1/4-20 HEX NUT W/EXTERNAL TOOTH LOCK WASHER |
| 13 | 4050423 | AR | AR | AR | AR | 8-18X3/8 PHIL PH TY-A |
| 14 | 4215561.019 | AR | AR | AR | AR | SNAP RIVET/BLACK 1/8 |
| 15 | 8800956 | AR | AR | AR | AR | 8-32 HEX NUT W/EXTERNAL TOOTH LOCK WASHER |
| 16 | 4214090.000309 | AR | AR | AR | AR | SPIRAL- 8 CT |
| 17 | 4214910.000330 | AR | AR | AR | AR | SPIRAL LIFT |
| 18 | SEE PAGE # 58 | AR | AR | AR | AR | PRICE SCROLL (4217475.XXX) |
| 19 | 8324099.4 | AR | AR | AR | AR | CLAMP - 3/8 X 3/8 |
| 20 | 4216787 | AR | AR | AR | AR | HCT LATCH |
| 21 | 4050548.001 | AR | AR | AR | AR | SCREW COVER-BLACK |
| 22 | 8800638 | AR | AR | AR | AR | 10-16X3/8 PHL PH TYPE |
| 23 | 4221985 | AR | AR | AR | AR | D GASKET |
| 24 | 4050511 | AR | AR | AR | AR | 8-32 NUT-TWO WAY LOCK |
| 25 | 4219957 | AR | AR | AR | AR | 375 ml FILLER |
| 26 | 4218689.001330 | AR | AR | AR | AR | HCCT SLIDE STOP |

LIST OF PARTS NOT SHOWN

| | | | | | | |
|----|---------|----|----|----|----|------------------------------|
| 27 | 4215985 | AR | AR | AR | AR | TRAY HARNESS - CAN MECHANISM |
|----|---------|----|----|----|----|------------------------------|

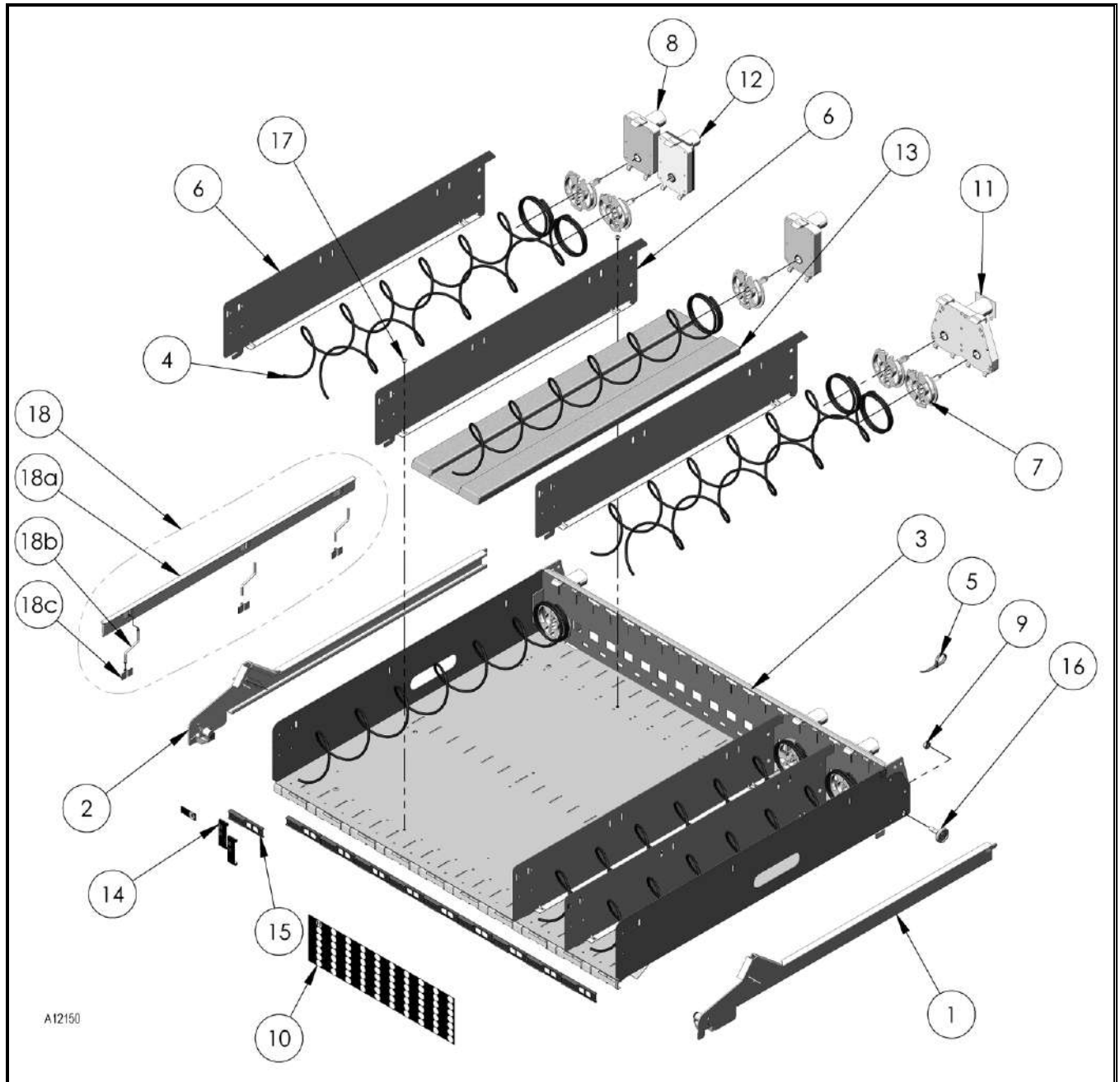
NOTES:

1. THE HCC TRAY MUST BE LOCATED IN THE 2ND FROM BOTTOM POSITION.
2. WHERE AN HCC TRAY IS INSTALLED THE **BOTTOM TRAY** MUST ALSO HAVE A 4215985 TRAY HARNESS - CAN MECHANISM

* SPECIFY COLOR
AR AS REQUIRED

† SPECIFY VOLTAGE/ HEATED/UN-HEATED
‡ SPECIFY SOFTWARE VERSION

SNACK STEEL TRAY ASSEMBLY (S/N ≥ 1360592)



A12150

* SPECIFY COLOR
AR AS REQUIRED

† SPECIFY VOLTAGE/ HEATED/UN-HEATED
‡ SPECIFY SOFTWARE VERSION

SNACK STEEL TRAY ASSEMBLY PARTS LIST

| ITEM NO. | PART NUMBER | 3561 | 3561A | 3563 | 3563A | DESCRIPTION |
|----------|-------------------------------|------|-------|------|-------|--|
| 1 | 1215925.000330 | AR | AR | AR | AR | RAIL ASSEMBLY RIGHT |
| 2 | 1215925.001330 | AR | AR | AR | AR | RAIL ASSEMBLY LEFT |
| 3 | 1219297.000330 | AR | AR | AR | AR | SNACK METAL TRAY WELD |
| 4 | SEE PAGE # 57 | AR | AR | AR | AR | SPIRALS |
| 5 | 4203509 | AR | AR | AR | AR | CABLE TIE |
| 6 | 4209261.001330 | AR | AR | AR | AR | DIVIDER |
| 7 | 4216378 | AR | AR | AR | AR | SPIRAL ADAPTER |
| 8 | 4216379.004 | AR | AR | AR | AR | MOTOR SNAP-IN 360° CCW |
| 9 | 4216407 | AR | AR | AR | AR | 1/4 NUT W/NYLON WASHER |
| 10 | 4217483 | AR | AR | AR | AR | SELECTION IDENTIFICATION SHEET |
| 11 | 4217527 | AR | AR | AR | AR | SNAP-IN DUAL MOTOR |
| 12 | 4219956 | AR | AR | AR | AR | SNAP-IN MOTOR 360° CW |
| 13 | 4220006 | AR | AR | AR | AR | HELIX RETAINER - STEEL SNACK TRAYS |
| 14 | 4222058 | AR | AR | AR | AR | PRICE SCROLL - (PAIR 0.05-19.95) |
| | 4224368 | AR | AR | AR | AR | PRICE SCROLL - (PAIR 1-8, 100-900) - (OPTIONAL) |
| 15 | 4222851 | AR | AR | AR | AR | SCROLL & LABEL HOLDER |
| 16 | 4223241 | AR | AR | AR | AR | ROLLER & HUB ASSEMBLY - METAL TRAY |
| 17 | 4223603 | AR | AR | AR | AR | 8-32X1/4 PHIL TH TY-23 ZN |
| 18 | 1215390 | AR | AR | AR | AR | SPACER KIT |
| 18a | 8370660.5 | AR | AR | AR | AR | SPACER |
| 18b | 8370998 | AR | AR | AR | AR | SUPPORT-SPACER |
| 18c | 4200281 | AR | AR | AR | AR | SPRING CLIP |

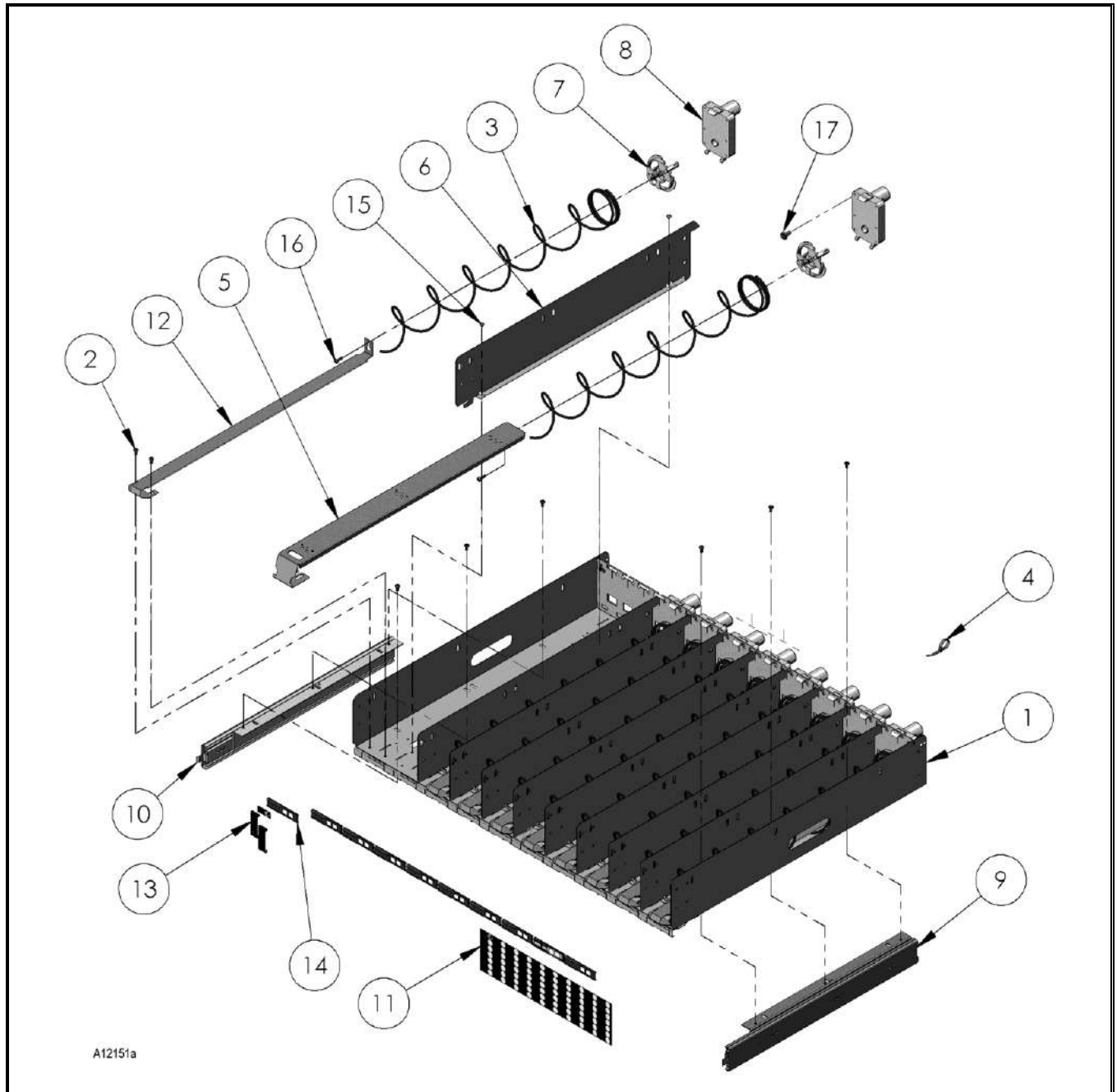
LIST OF PARTS NOT SHOWN

| | | | | | | | |
|----|-------------|----|----|----|----|-----------------|---------------------------|
| 19 | 4214343.005 | AR | AR | AR | AR | TRAY HARNESS 5W | (S/N < 1341294) |
| | 4222709.005 | AR | AR | AR | AR | TRAY HARNESS 5W | (S/N ≥ 1341294) |

* SPECIFY COLOR
AR AS REQUIRED

† SPECIFY VOLTAGE/ HEATED/UN-HEATED
‡ SPECIFY SOFTWARE VERSION

CAN & BOTTLE TRAY ASSEMBLY (10 SEL & 9 SEL) (S/N ≥ 1360592)



A12151a

* SPECIFY COLOR
AR AS REQUIRED

† SPECIFY VOLTAGE/ HEATED/UN-HEATED
‡ SPECIFY SOFTWARE VERSION

CAN & BOTTLE TRAY ASSEMBLY PARTS LIST

| ITEM NO. | PART NUMBER | 3561 | 3561A | 3563 | 3563A | DESCRIPTION |
|----------|-------------------------------|------|-------|------|-------|--|
| 1 | 1219298.000330 | AR | AR | AR | AR | TRAY WELD (5W) (10 SELECTION) |
| | 1219299.000330 | AR | AR | AR | AR | TRAY WELD (5W) (9 SELECTION) |
| 2 | 4050423.001 | AR | AR | AR | AR | 8-18X 3/8" PHIL PH TY-A/BLACK SCREW |
| 3 | SEE PAGE # 57 | AR | AR | AR | AR | SPIRALS |
| 4 | 4203509 | AR | AR | AR | AR | CABLE TIE |
| 5 | 4206251.000309 | AR | AR | AR | AR | PRODUCT TRAY SPACER-BLACK |
| 6 | 4209261.001330 | AR | AR | AR | AR | TRAY DIVIDER |
| 7 | 4216378 | AR | AR | AR | AR | SPIRAL ADAPTER |
| 8 | 4216379.004 | AR | AR | AR | AR | MOTOR SNAP-IN 360 DEG CCW |
| 9 | 4216381 | AR | AR | AR | AR | ROLLER SLIDE RIGHT |
| 10 | 4216381.001 | AR | AR | AR | AR | ROLLER SLIDE LEFT |
| 11 | 4217483 | AR | AR | AR | AR | SELECTION INDENT SHEET |
| 12 | 4218723.000330 | AR | AR | AR | AR | RISER |
| 13 | 4222058 | AR | AR | AR | AR | PRICE SCROLL - (PAIR 0.05-19.95) |
| | 4224368 | AR | AR | AR | AR | PRICE SCROLL - (PAIR 1-8, 100-900) - (OPTIONAL) |
| 14 | 4222851 | AR | AR | AR | AR | SCROLL & LABEL HOLDER |
| 15 | 4223603 | AR | AR | AR | AR | 8-32 X 1/4 " PHIL TH TYP 23 SCREW |
| 16 | 8800636 | AR | AR | AR | AR | 8-18X 1/2 " PHIL PH TY-B SCREW |
| 17 | 4220174 | AR | AR | AR | AR | #8 x 5/16" PHILLIPS PH PTRS ZN |

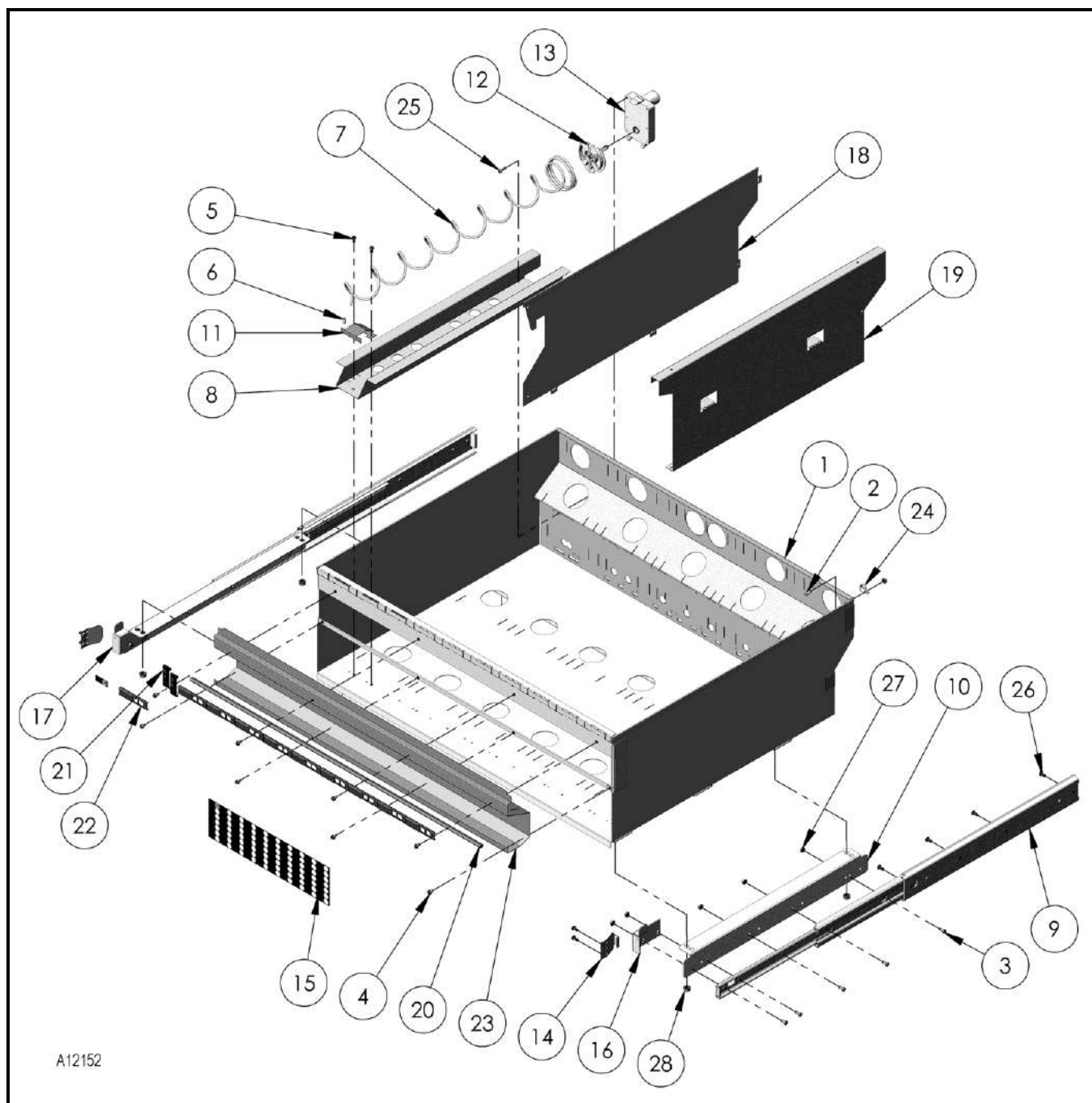
LIST OF PARTS NOT SHOWN

| | | | | | | | |
|----|-------------|----|----|----|----|-----------------|---------------------------|
| 17 | 4214343.005 | AR | AR | AR | AR | TRAY HARNESS 5W | (S/N < 1341294) |
| | 4222709.005 | AR | AR | AR | AR | TRAY HARNESS 5W | (S/N ≥ 1341294) |

* SPECIFY COLOR
AR AS REQUIRED

† SPECIFY VOLTAGE/ HEATED/UN-HEATED
†† SPECIFY SOFTWARE VERSION

HIGH CAPACITY CAN TRAY (HCCT) ASSEMBLY (S/N ≥ 1360592)



A12152

* SPECIFY COLOR
AR AS REQUIRED

† SPECIFY VOLTAGE/ HEATED/UN-HEATED
‡ SPECIFY SOFTWARE VERSION

HCC TRAY ASSEMBLY PARTS LIST (OPTIONAL)

| ITEM NO. | PART NUMBER | 3561 | 3561A | 3563 | 3563A | DESCRIPTION |
|----------|----------------|------|-------|------|-------|--|
| 1 | 1219417.000330 | AR | AR | AR | AR | HCC TRAY WELD (5W) |
| 2 | 4050239 | AR | AR | AR | AR | 8-32 x 3/8 PHIL PH TYP 23 |
| 3 | 4050240 | AR | AR | AR | AR | 8-32 x .375 PHIL PH MS |
| 4 | 4050420.001 | AR | AR | AR | AR | 8-18X3/8 PHIL PH TY-A/BLK |
| 5 | 4050423.001 | AR | AR | AR | AR | 8-18 X 3/8 PHIL PH TY-A -BLACK |
| 6 | 4050548.001 | AR | AR | AR | AR | SCREW COVER |
| 7 | 4214090.000309 | AR | AR | AR | AR | HCT SPIRAL |
| 8 | 4214092.000330 | AR | AR | AR | AR | SPIRAL RETAINER |
| 9 | 4214233 | AR | AR | AR | AR | DRAWER SLIDE |
| 10 | 4214234.000330 | AR | AR | AR | AR | DRAWER SLIDE BRACE |
| 11 | 4214910.000330 | AR | AR | AR | AR | SPIRAL LIFT |
| 12 | 4216378 | AR | AR | AR | AR | SPIRAL ADAPTER |
| 13 | 4216379.004 | AR | AR | AR | AR | MOTOR ASSEMBLY |
| 14 | 4216787 | AR | AR | AR | AR | HCT LATCH |
| 15 | 4217483 | AR | AR | AR | AR | SELECTION IDENTIFICATION SHEET |
| 16 | 4218689.000330 | AR | AR | AR | AR | HCCT STOPPER & MAGNET MOUNT |
| 17 | 4218689.001330 | AR | AR | AR | AR | HCCT STOPPER & MAGNET MOUNT |
| 18 | 4218971.000330 | AR | AR | AR | AR | HCT DIVIDER |
| 19 | 4219957.000330 | AR | AR | AR | AR | HCCT 375ml FILLER |
| 20 | 4221985 | AR | AR | AR | AR | "D" GASKET |
| 21 | 4222058 | AR | AR | AR | AR | PRICE SCROLL - (PAIR 0.05-19.95) |
| | 4224368 | AR | AR | AR | AR | PRICE SCROLL - (PAIR 1-8, 100-900) - (OPTIONAL) |
| 22 | 4222851 | AR | AR | AR | AR | SCROLL & LABEL HOLDER |
| 23 | 4223500.000330 | AR | AR | AR | AR | HCCT DISPLAY BRACE/5W |
| 24 | 8324099.4 | AR | AR | AR | AR | 3/8 x 3/8 CLAMP |
| 25 | 4220174 | AR | AR | AR | AR | #8 x 5/16" PHILLIPS PH PTRS ZN |
| 26 | 8800638 | AR | AR | AR | AR | 10-16 x 3/8 PHL PH TYPE |
| 27 | 8800956 | AR | AR | AR | AR | 8-32 HEX NUT W/ETW |
| 28 | 8800959 | AR | AR | AR | AR | 1/4-20 HEX NUT W/ETW |

LIST OF PARTS NOT SHOWN

| | | | | | | |
|----|---------|----|----|----|----|------------------------------|
| 27 | 4215985 | AR | AR | AR | AR | TRAY HARNESS - CAN MECHANISM |
|----|---------|----|----|----|----|------------------------------|

NOTES:

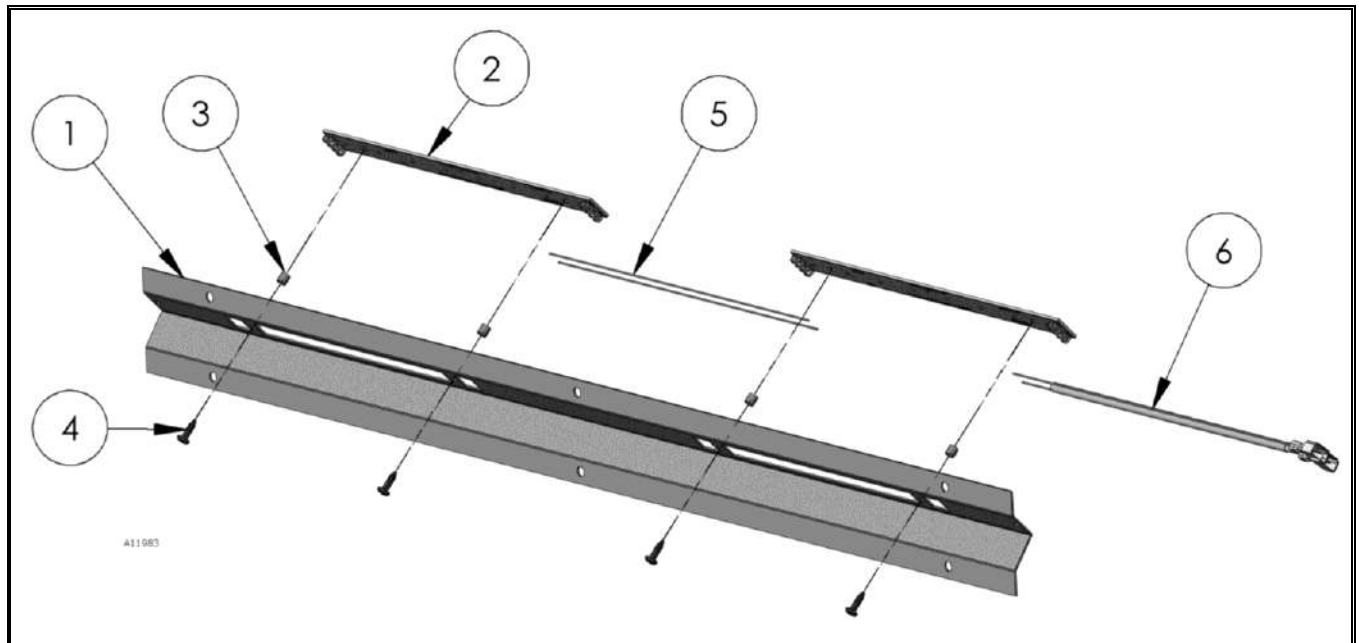
1. THE HCC TRAY MUST BE LOCATED IN THE 2ND FROM BOTTOM POSITION.
2. WHERE AN HCC TRAY IS INSTALLED THE **BOTTOM TRAY** MUST ALSO HAVE A 4215985 TRAY HARNESS - CAN MECHANISM

* SPECIFY COLOR
AR AS REQUIRED

† SPECIFY VOLTAGE/HEATED/UN-HEATED
†† SPECIFY SOFTWARE VERSION

24 VAC LED LIGHTING (CABINET)

24 VAC LED ASSEMBLY - LOUVER PANEL (S/N < 1345906)



24 VAC LED ASSEMBLY - LOUVER PANEL PARTS LIST

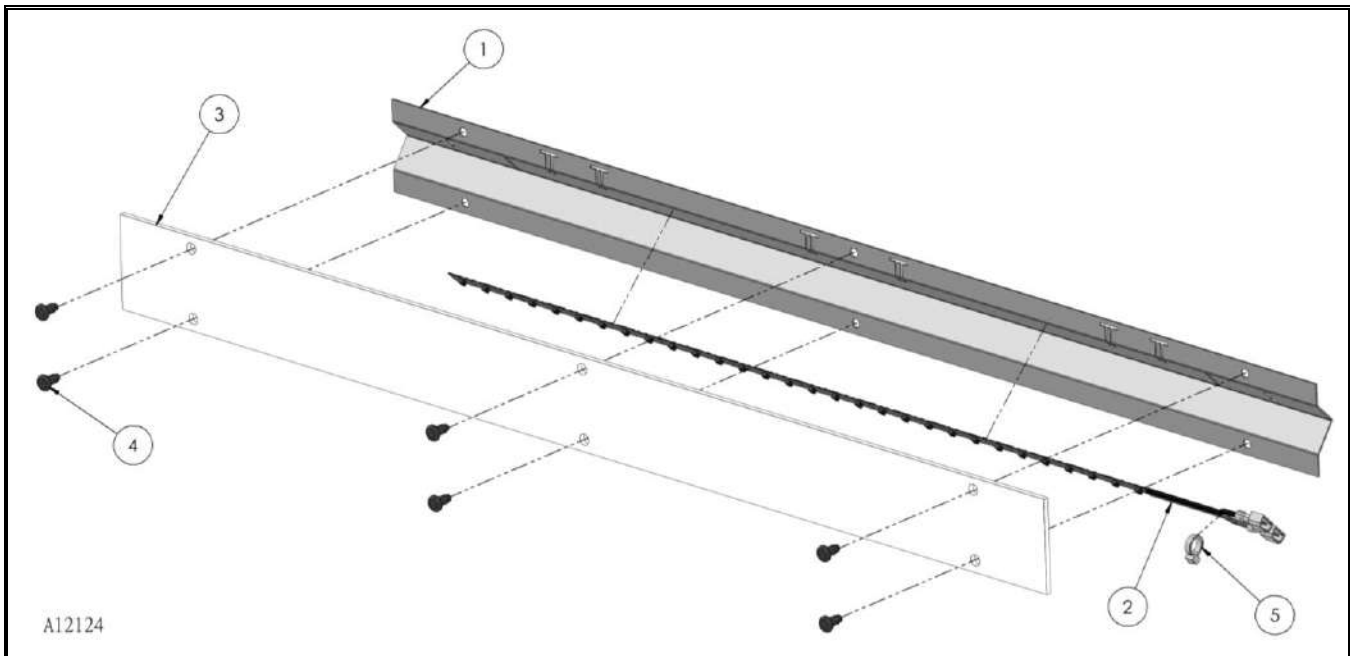
| ITEM NO. | PART NUMBER | 3561 | 3561A | 3563 | 3563A | DESCRIPTION |
|----------|----------------|------|-------|------|-------|-------------------------------|
| 1 | 4219465.000330 | 1 | 1 | 1 | 1 | LED BRACKET-ELEVATOR DELIVERY |
| 2 | 4216544 | 2 | 2 | 2 | 2 | 24 VAC LED LIGHT ENGINE |
| 3 | 4216676 | 4 | 4 | 4 | 4 | NYLON SPACER 1/8 X 3/16 |
| 4 | 4215561.019 | 4 | 4 | 4 | 4 | SNAP RIVET/BLACK 1/8 |
| 5 | 4216693.011 | 2 | 2 | 2 | 2 | 20 GA WIRE/BLACK-7.75" |
| 6 | 4216691.004 | 2 | 2 | 2 | 2 | TAB WIRE ASSEMBLY - 8.5" |

* SPECIFY COLOR
AR AS REQUIRED

† SPECIFY VOLTAGE/ HEATED/UN-HEATED
‡ SPECIFY SOFTWARE VERSION

12 VDC LED LIGHTING (CABINET)

12 VDC LED ASSEMBLY - LOUVER PANEL (S/N ≥ 1345906)



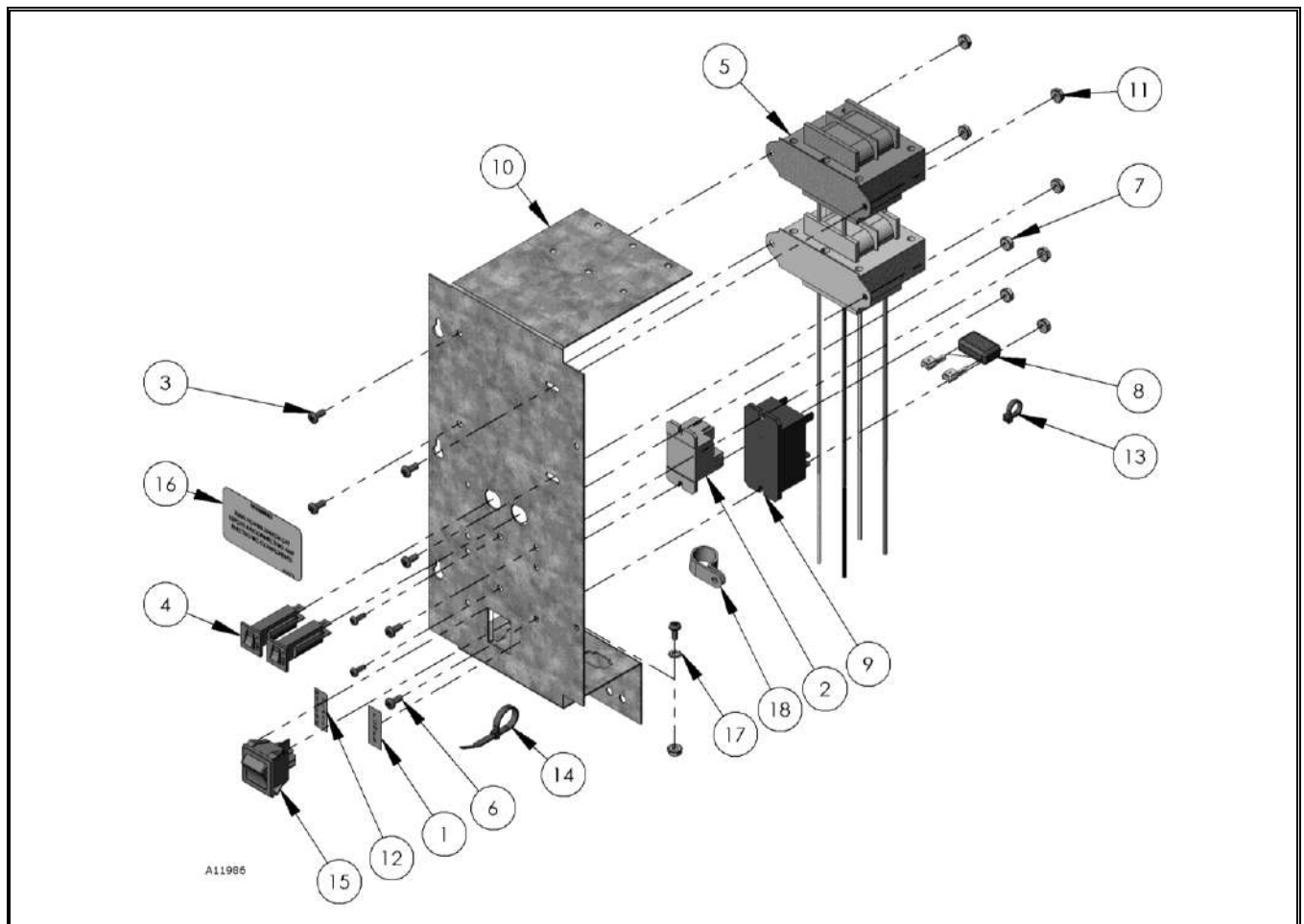
12 VDC LED ASSEMBLY - LOUVER PANEL PARTS LIST

| ITEM NO. | PART NUMBER | 3561 | 3561A | 3563 | 3563A | DESCRIPTION |
|----------|----------------|------|-------|------|-------|--------------------------------|
| 1 | 4222224.000309 | 1 | 1 | 1 | 1 | LED STRIP MOUNT-LOUVER |
| 2 | 4220902.002 | 1 | 1 | 1 | 1 | 12 VDC LED SIDE STRIP ASSEMBLY |
| 3 | 4222563 | 1 | 1 | 1 | 1 | LED STRIP COVER-LOUVER |
| 4 | 4215561.039 | 6 | 6 | 6 | 6 | SNAP RIVET/BLACK |
| 5 | 4033704 | 1 | 1 | 1 | 1 | CABLE TIE |

* SPECIFY COLOR
AR AS REQUIRED

† SPECIFY VOLTAGE/ HEATED/UN-HEATED
‡ SPECIFY SOFTWARE VERSION

POWER BOX ASSEMBLY - 24VAC LED ENGINE 110V & 220V (S/N < 1345906)



POWER BOX ASSEMBLY - 24VAC LED ENGINE PART LIST

| ITEM NO. | PART NUMBER | 3561 | 3561A | 3563 | 3563A | DESCRIPTION |
|----------|-------------|------|-------|------|-------|---|
| 1 | 4212527 | 1 | 1 | 1 | 1 | POWER LABEL |
| 2 | 4216013 | 1 | 1 | 1 | 1 | MINI RELAY SPST, 24VDC |
| 3 | 4050240 | 7 | 7 | 7 | 7 | 8-32 x .375 PHIL PH MS |
| 4 | 4203467.003 | 2 | 2 | 2 | 2 | 3 AMP CIRCUIT BREAKER |
| 5 | 4206570.000 | 2 | - | 2 | - | TRANSFORMER, 110V INPUT/24V |
| | 4206570.001 | - | 2 | - | 2 | TRANSFORMER, 230V INPUT/24V |
| 6 | 8800060 | 2 | 2 | 2 | 2 | 6-32 x 3/8 PHIL PH MS |
| 7 | 8800955 | 2 | 2 | 2 | 2 | 6-32 HEX NUT W/EXTERNAL TOOTH LOCK WASHER |
| 8 | 1216357 | 1 | - | 1 | - | ARC SUPPRESSOR SNUBBER 110V |
| | 1216357.001 | - | 1 | - | 1 | ARC SUPPRSSR SNUBBER 220V |
| 9 | 4206643 | 1 | 1 | 1 | 1 | RELAY DPST 24 VAC/DC30A |
| 10 | 4218939 | 1 | 1 | 1 | 1 | ELEVATOR POWER BOX |
| 11 | 8800956 | 7 | 7 | 7 | 7 | 8-32 HEX NUT W/EXTERNAL TOOTH LOCK WASHER |

* SPECIFY COLOR
AR AS REQUIRED

† SPECIFY VOLTAGE/ HEATED/UN-HEATED
‡ SPECIFY SOFTWARE VERSION

| ITEM NO. | PART NUMBER | 3561 | 3561A | 3563 | 3563A | DESCRIPTION |
|----------|-------------|------|-------|------|-------|-----------------------|
| 12 | 4212526 | 1 | 1 | 1 | 1 | HEATED GLASS LABEL |
| 13 | 4033704 | 2 | 2 | 2 | 2 | CABLE TIE |
| 14 | 4033712 | 1 | 1 | 1 | 1 | CABLE TIE 7 3/8" |
| 15 | 4213627 | 1 | 1 | 1 | 1 | SWITCH-DOUBLE POLE |
| 16 | 8620711 | 1 | 1 | 1 | 1 | POWER SWITCH WARNING |
| 17 | 4050585 | 1 | 1 | 1 | 1 | #8 EXT TOOTH LOCKWSHR |
| 18 | 8324099.6 | 1 | 1 | 1 | 1 | CLAMP-3/8 X 1/2 |

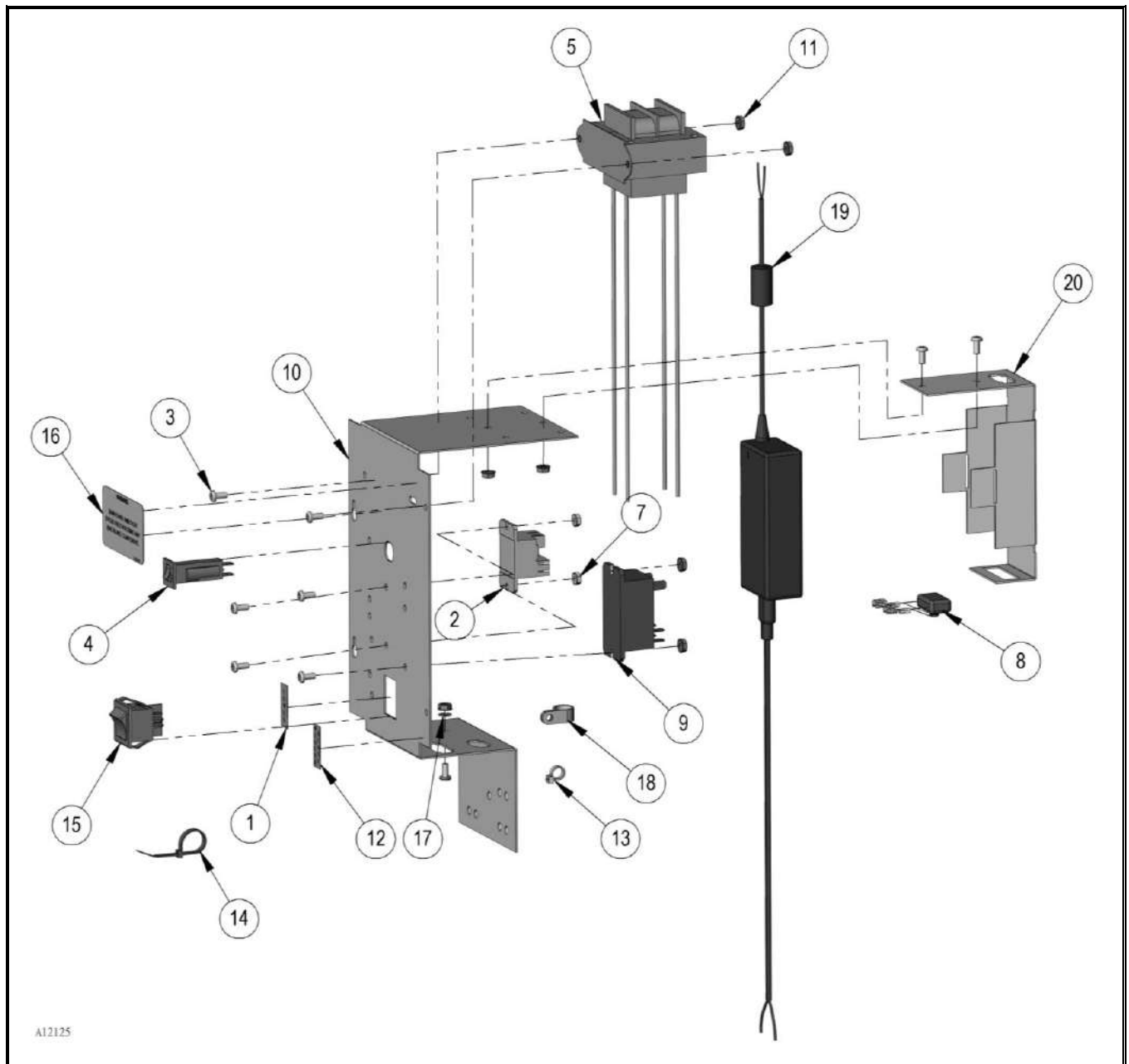
LIST OF PARTS NOT SHOWN

| | | | | | | |
|----|---------|---|---|---|---|-----------------------------------|
| 19 | 4217622 | 1 | 1 | 1 | 1 | CABINET CONTROL HARNESS |
| 20 | 4219088 | 1 | 1 | 1 | 1 | POWER BOX/RELAY SECONDARY HARNESS |
| 21 | 4217653 | 1 | 1 | 1 | 1 | POWER BOX/RELAY PRIMARY HARNESS |
| 22 | 4217712 | 1 | 1 | 1 | 1 | DUAL TRANSFORMER JUMPER |

* SPECIFY COLOR
AR AS REQUIRED

† SPECIFY VOLTAGE/ HEATED/UN-HEATED
†† SPECIFY SOFTWARE VERSION

POWER BOX ASSEMBLY - 12VDC LED STRIP 110V & 220V (S/N ≥ 1345906)



A12125

POWER BOX ASSEMBLY - 12VDC LED STRIP PART LIST

| ITEM NO. | PART NUMBER | 3561 | 3561A | 3563 | 3563A | DESCRIPTION |
|----------|-------------|------|-------|------|-------|-----------------------------|
| 1 | 4212527 | 1 | 1 | 1 | 1 | POWER LABEL |
| 2 | 4216013 | 1 | 1 | 1 | 1 | MINI RELAY SPST, 24VDC |
| 3 | 4050240 | 7 | 7 | 7 | 7 | 8-32 x .375 PHIL PH MS |
| 4 | 4203467.003 | 2 | 2 | 2 | 2 | 3 AMP CIRCUIT BREAKER |
| 5 | 4206570.000 | 2 | - | 2 | - | TRANSFORMER, 110V INPUT/24V |
| | 4206570.001 | - | 2 | - | 2 | TRANSFORMER, 230V INPUT/24V |

* SPECIFY COLOR
AR AS REQUIRED

† SPECIFY VOLTAGE/ HEATED/UN-HEATED
‡ SPECIFY SOFTWARE VERSION

| ITEM NO. | PART NUMBER | 3561 | 3561A | 3563 | 3563A | DESCRIPTION |
|----------|-------------|------|-------|------|-------|---|
| 6 | 8800060 | 2 | 2 | 2 | 2 | 6-32 x 3/8 PHIL PH MS |
| 7 | 8800955 | 2 | 2 | 2 | 2 | 6-32 HEX NUT W/EXTERNAL TOOTH LOCK WASHER |
| 8 | 1216357 | 1 | - | 1 | - | ARC SUPPRESSOR SNUBBER 110V |
| | 1216357.001 | - | 1 | - | 1 | ARC SUPPRSSR SNUBBER 220V |
| 9 | 4206643 | 1 | 1 | 1 | 1 | RELAY DPST 24 VAC/DC30A |
| 10 | 4218939 | 1 | 1 | 1 | 1 | ELEVATOR POWER BOX |
| 11 | 8800956 | 7 | 7 | 7 | 7 | 8-32 HEX NUT W/EXTERNAL TOOTH LOCK WASHER |
| 12 | 4212526 | 1 | 1 | 1 | 1 | HEATED GLASS LABEL |
| 13 | 4033704 | 2 | 2 | 2 | 2 | CABLE TIE |
| 14 | 4033712 | 1 | 1 | 1 | 1 | CABLE TIE 7 3/8" |
| 15 | 4213627 | 1 | 1 | 1 | 1 | SWITCH-DOUBLE POLE |
| 16 | 8620711 | 1 | 1 | 1 | 1 | POWER SWITCH WARNING |
| 17 | 4050585 | 1 | 1 | 1 | 1 | #8 EXT TOOTH LOCKWSHR |
| 18 | 8324099.6 | 1 | 1 | 1 | 1 | CLAMP-3/8 X 1/2 |
| 19 | 4219620 | 1 | 1 | 1 | 1 | LED POWER SUPPLY-TERMINAT |
| 20 | 4221934 | 1 | 1 | 1 | 1 | LED POWER SUPPLY MOUNT |

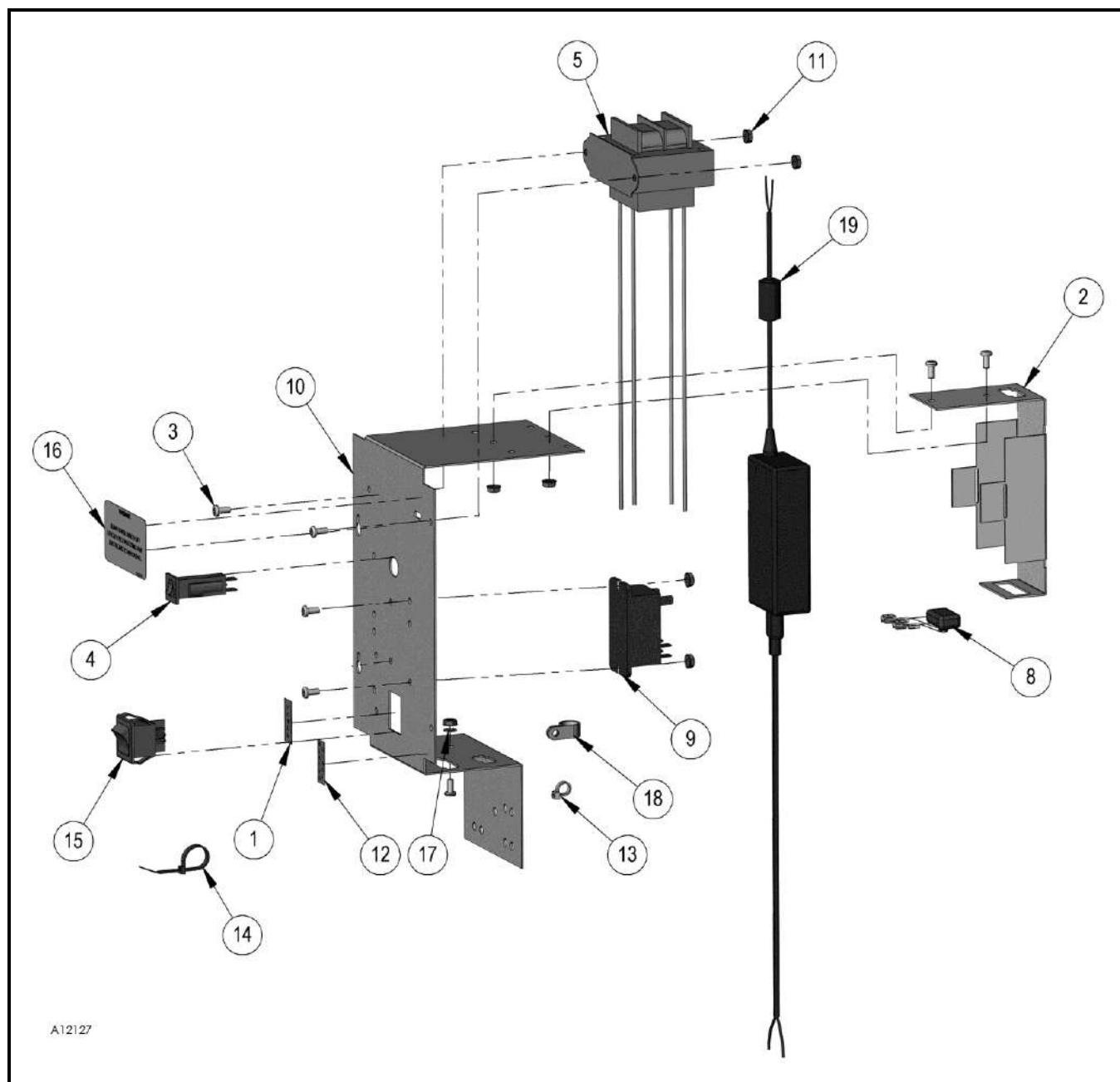
LIST OF PARTS NOT SHOWN

| | | | | | | |
|----|---------|---|---|---|---|-----------------------------------|
| 21 | 4217622 | 1 | 1 | 1 | 1 | CABINET CONTROL HARNESS |
| 22 | 4219088 | 1 | 1 | 1 | 1 | POWER BOX/RELAY SECONDARY HARNESS |
| 23 | 4217653 | 1 | 1 | 1 | 1 | POWER BOX/RELAY PRIMARY HARNESS |
| 24 | 4217712 | 1 | 1 | 1 | 1 | DUAL TRANSFORMER JUMPER |
| 25 | 4222072 | 1 | 1 | 1 | 1 | LED POWER SUPPLY JUMPER |
| 26 | 4222642 | 1 | 1 | 1 | 1 | CONDENSER FAN HARNESS |

* SPECIFY COLOR
AR AS REQUIRED

† SPECIFY VOLTAGE/ HEATED/UN-HEATED
‡ SPECIFY SOFTWARE VERSION

POWER BOX ASSEMBLY - 230V/60HZ (INMETRO BRAZIL)



A12127

POWER BOX ASSEMBLY – 230V/60HZ (INMETRO BRAZIL) PART LIST

| ITEM NO. | PART NUMBER | 3561A | 3563A | DESCRIPTION |
|----------|-------------|-------|-------|-------------------------|
| 1 | 4212527 | 1 | 1 | POWER LABEL |
| 2 | 4221934 | 1 | 1 | LED POWER SUPPLY MOUNT |
| 3 | 4050240 | 7 | 7 | 8-32 x .375 PHIL PH MS |
| 4 | 4203467.003 | 2 | 2 | 3 AMP CIRCUIT BREAKER |
| 5 | 4222353.001 | 2 | 2 | TRANSFORMER, 230V/ 60HZ |
| 6 | 8800060 | 2 | 2 | 6-32 x 3/8 PHIL PH MS |

* SPECIFY COLOR
AR AS REQUIRED

† SPECIFY VOLTAGE/ HEATED/UN-HEATED
‡ SPECIFY SOFTWARE VERSION

| ITEM NO. | PART NUMBER | 3561A | 3563A | DESCRIPTION |
|----------|-------------|-------|-------|---|
| 7 | 8800955 | 2 | 2 | 6-32 HEX NUT W/EXTERNAL TOOTH LOCK WASHER |
| 8 | 4222354.001 | 1 | 1 | ARC SUPPRESSR SNUBBER 230V |
| 9 | 4206643 | 2 | 2 | RELAY DPST 24 VAC/DC30A |
| 10 | 4218939 | 1 | 1 | ELEVATOR POWER BOX |
| 11 | 8800956 | 9 | 9 | 8-32 HEX NUT W/EXTERNAL TOOTH LOCK WASHER |
| 12 | 4212526 | 1 | 1 | HEATED GLASS LABEL |
| 13 | 4033704 | 2 | 2 | CABLE TIE |
| 14 | 4033712 | 1 | 1 | CABLE TIE 7 3/8" |
| 15 | 4213627 | 1 | 1 | SWITCH-DOUBLE POLE |
| 16 | 8620711 | 1 | 1 | POWER SWITCH WARNING |
| 17 | 4050585 | 1 | 1 | #8 EXT TOOTH LOCKWSHR |
| 18 | 8324099.6 | 1 | 1 | CLAMP-3/8 X 1/2 |
| 19 | 4219620 | 1 | 1 | LED POWER SUPPLY-TERMINAT |

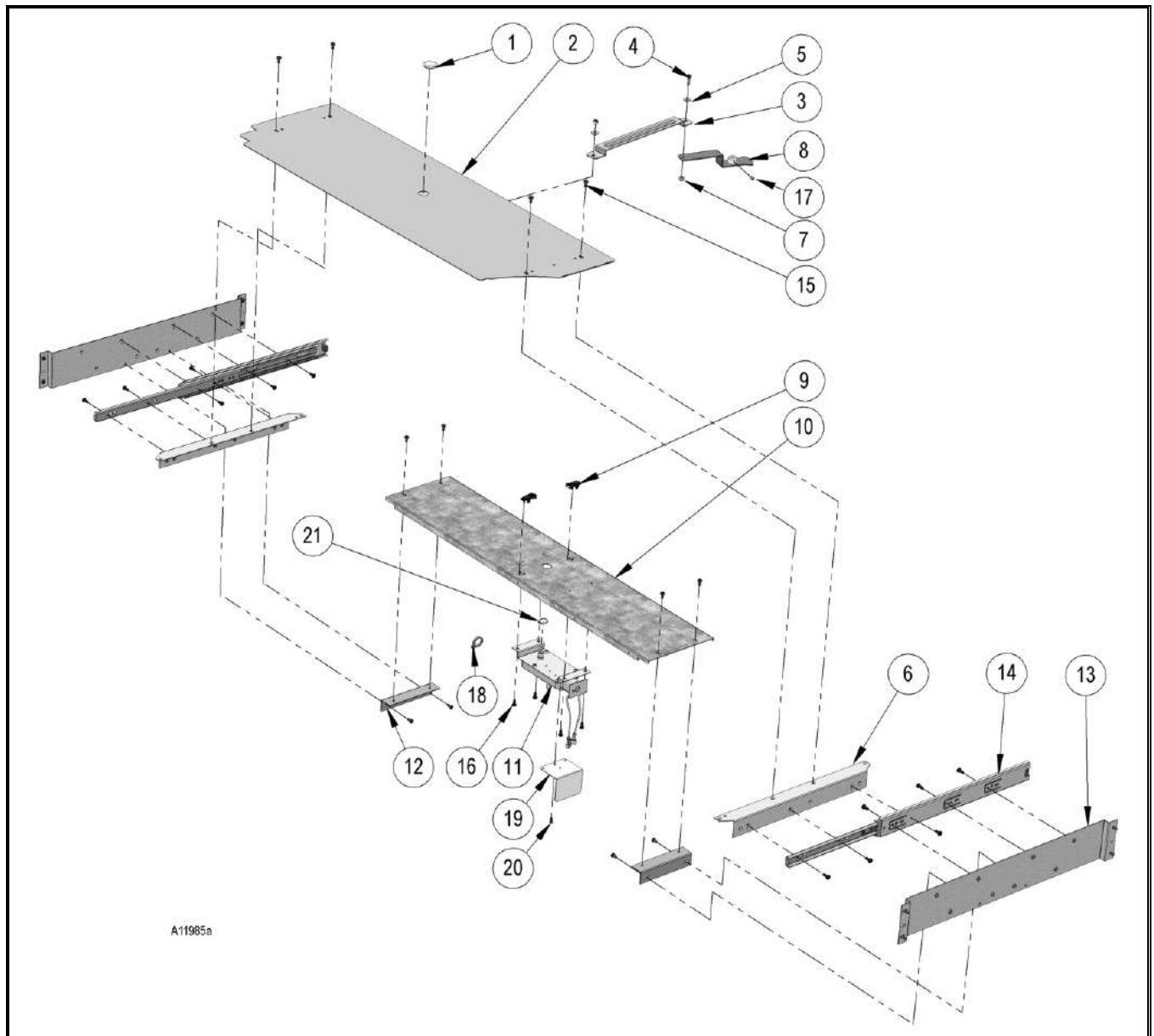
LIST OF PARTS NOT SHOWN

| | | | | |
|----|---------|---|---|-----------------------------------|
| 20 | 4217622 | 1 | 1 | CABINET CONTROL HARNESS |
| 21 | 4219088 | 1 | 1 | POWER BOX/RELAY SECONDARY HARNESS |
| 22 | 4217653 | 1 | 1 | POWER BOX/RELAY PRIMARY HARNESS |
| 23 | 4217712 | 1 | 1 | DUAL TRANSFORMER JUMPER |
| 24 | 4222072 | 1 | 1 | LED POWER SUPPLY JUMPER |
| 25 | 4222642 | 1 | 1 | CONDENSER FAN HARNESS |
| 26 | 4222954 | 1 | 1 | ELEVATOR TUV POWER HARNESS |

* SPECIFY COLOR
AR AS REQUIRED

† SPECIFY VOLTAGE/ HEATED/UN-HEATED
‡ SPECIFY SOFTWARE VERSION

BAFFLE ASSEMBLY (S/N > 1269766)



A11985a

BAFFLE ASSEMBLY PARTS LIST

| ITEM NO. | PART NUMBER | 3561 | 3561A | 3563 | 3563A | DESCRIPTION |
|----------|----------------|------|-------|------|-------|-----------------------------|
| 1 | 7250135.003 | 1 | 1 | 1 | 1 | HOLE PLUG, BPF-3/4" |
| 2 | 1218503.000330 | 1 | 1 | 1 | 1 | BAFFLE WELD |
| 3 | 4218709 | 1 | 1 | 1 | 1 | SLIDER LINK SECURITY BAFFLE |
| 4 | 4050251 | 1 | 1 | 1 | 1 | 8-32X5/8 PHIL PH MS |
| 5 | 4030100.002 | 2 | 2 | 2 | 2 | BUSHING-SPACER.10 |
| 6 | 4220311.000330 | 2 | 2 | 2 | 2 | BAFFLE & RAIL MOUNT BRACKET |
| 7 | 4210384 | 2 | 2 | 2 | 2 | 8-32 NYLOK NUT |
| 8 | 1218738.000950 | 1 | 1 | 1 | 1 | CRANK & BUSHING ASSEMBLY |

* SPECIFY COLOR
AR AS REQUIRED

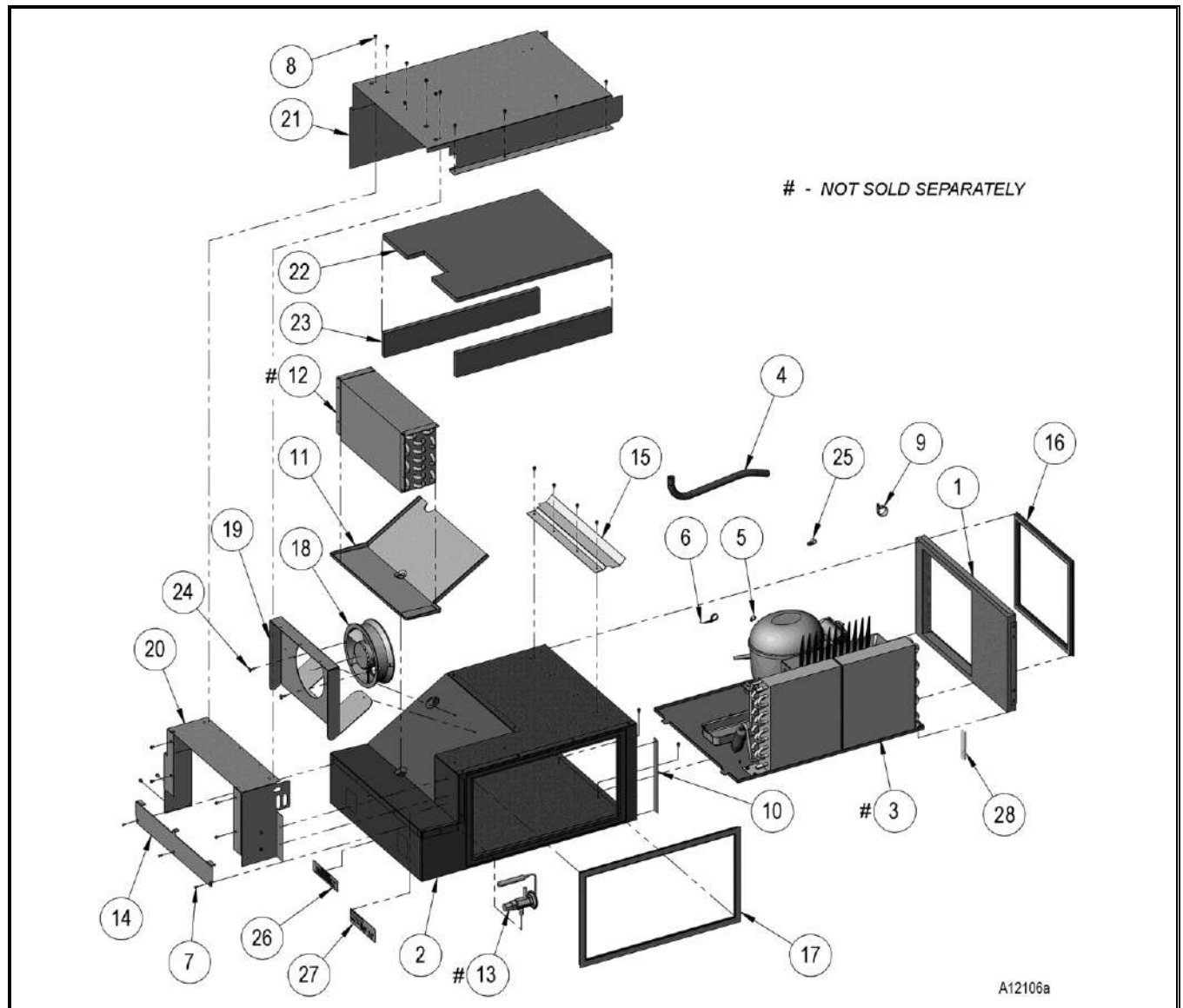
† SPECIFY VOLTAGE/ HEATED/UN-HEATED
‡ SPECIFY SOFTWARE VERSION

| ITEM NO. | PART NUMBER | 3561 | 3561A | 3563 | 3563A | DESCRIPTION |
|----------|----------------|------|-------|------|-------|---|
| 9 | 4219019 | 2 | 2 | 2 | 2 | SNAP-FIT SWITCH |
| 10 | 4218713.000330 | 1 | 1 | 1 | 1 | MOTOR FIXING BRACKET |
| 11 | 4220017 | 1 | 1 | 1 | 1 | BAFFLE MOTOR (16.5 RPM) |
| 12 | 4219280.000330 | 2 | 2 | 2 | 2 | MOTOR BRACKET SUPPORT |
| 13 | 4220312.000330 | 2 | 2 | 2 | 2 | BAFFLE ASSEMBLY MOUNTING |
| 14 | 4218100 | 2 | 2 | 2 | 2 | TELESCOPIC SLIDE |
| 15 | 4050423.001 | 32 | 32 | 32 | 32 | 8-18X3/8 PHIL PH TY-A/BLACK |
| 16 | 4050239 | 25 | 25 | 25 | 25 | 8-32X3/8 PHL PH TY-T |
| 17 | 4220011 | 1 | 1 | 1 | 1 | 10-32 x 1/4" SOCKET SET SCREW |
| 18 | 4033712 | 4 | 4 | 4 | 4 | CABLE TIE 7 3/8" |
| 19 | 4220396 | 1 | 1 | 1 | 1 | BAFFLE MOTOR COVER |
| 20 | 4050120 | 1 | 1 | 1 | 1 | 6-32X5/16 PHIL PH TYP |
| 21 | 4223543 | 1 | 1 | 1 | 1 | 1/4 " EXTERNAL RETAINING RING (S/N ≥ 1358399) |

* SPECIFY COLOR
AR AS REQUIRED

† SPECIFY VOLTAGE/ HEATED/UN-HEATED
‡ SPECIFY SOFTWARE VERSION

REFRIGERATION MODULE ASSEMBLY (110V & 220V)



REFRIGERATION MODULE (115V & 220V) PARTS LIST

| ITEM NO. | PART NUMBER | 3561 | 3561A | 3563 | 3563A | DESCRIPTION |
|----------|-------------------------------|------|-------|------|-------|---|
| - | 1218868 | 1 | - | 1 | - | REFRIGERATION MODULE-1/3HP/115 VAC-COMplete |
| - | 1218868.001 | - | 1 | - | 1 | REFRIGERATION MODULE-1/3HP/230 VAC-COMplete |
| 1 | 1218016 | 1 | 1 | 1 | 1 | REFER BACK COVER ASSEMBLY |
| 2 | 1218108 | 1 | 1 | 1 | 1 | MODULE-FOAMED |
| 3 | SEE PAGE # 53 | 1 | 1 | 1 | 1 | REFER BASE ASSEMBLY (115 VAC & 230VAC) |
| 4 | 4025410.500 | 1.58 | 1.58 | 1.58 | 1.58 | TUBING MAYON RAW |
| 5 | 4033704 | 5 | 5 | 5 | 5 | CABLE TIE |
| 6 | 4033712 | 4 | 4 | 4 | 4 | CABLE TIE 7 3/8" |
| 7 | 4050180 | 18 | 18 | 18 | 18 | 8-18 x 1/2 PHIL PH TEK SCREW |
| 8 | 4050420 | 20 | 20 | 20 | 20 | 8-18 x 1/4 PHIL HWH TYP A |

* SPECIFY COLOR
AR AS REQUIRED

† SPECIFY VOLTAGE/ HEATED/UN-HEATED
†† SPECIFY SOFTWARE VERSION

| ITEM NO. | PART NUMBER | 3561 | 3561A | 3563 | 3563A | DESCRIPTION |
|----------|----------------|-------|-------|-------|-------|--|
| 9 | 4060134 | 1 | 1 | 1 | 1 | PLASTIC WIRE CLAMP 1" |
| 10 | 4208565 | 10 FT | 10 FT | 10 FT | 10 FT | DOUBLE SIDED TAPE .750/RE |
| 11 | 4214818 | 1 | 1 | 1 | 1 | EVAPORATOR DRAIN PAN |
| 12 | 4214819 | 1 | 1 | 1 | 1 | EVAPORATOR |
| 13 | 4215110 | 1 | - | 1 | - | EXPANSION VALVE / 115V |
| | 4215110.001 | - | 1 | - | 1 | EXPANSION VALVE / 220V |
| 14 | 4215113.000330 | 1 | 1 | 1 | 1 | EVAPORATOR DRAIN PAN HOLDER |
| 15 | 4215798.000330 | 1 | 1 | 1 | 1 | AIR BAFFLE FRONT |
| 16 | 4218654 | 1 | 1 | 1 | 1 | REFER MODULE GASKET |
| 17 | 4218654.001 | 1 | 1 | 1 | 1 | REFER MODULE GASKET |
| 18 | 4221295 | 1 | - | 1 | - | H.E. EVAPORATOR FAN MOTOR/110V (S/N ≥ 1344361) |
| | 4221295.001 | - | 1 | - | 1 | H.E. EVAPORATOR FAN MOTOR/220V |
| | 4214996 | 1 | - | 1 | - | EVAPORATOR FAN MOTOR/110V (S/N < 1344361) |
| | 4214996.001 | - | 1 | - | 1 | EVAPORATOR FAN MOTOR/220V |
| 19 | 4221593 | 1 | 1 | 1 | 1 | FAN MOUNT |
| 20 | 4221596.000330 | 1 | 1 | 1 | 1 | EVAPORATOR MOUNT |
| 21 | 4221597.000330 | 1 | 1 | 1 | 1 | EVAPORATOR AIR DUCT |
| 22 | 4221649 | 1 | 1 | 1 | 1 | AIR DUCT INSULATOR |
| 23 | 4221649.001 | 2 | 2 | 2 | 2 | AIR DUCT INSULATOR |
| 24 | 8800833 | 2 | - | 2 | - | 10-32X1/2 PHL TH W/EXTERNAL TOOTH LOCK WASHER |
| | 8800406 | - | 2 | - | 2 | 10-32X1/2 PHL TH W/ EXTERNAL TOOTH LOCK WASHER |
| 25 | 8324099.4 | 1 | 1 | 1 | 1 | CLAMP - 3/8 X 3/8 |
| 26 | 7332492.000 | - | 1 | - | 1 | DECAL WARNING WARRANTY |
| 27 | 4205507.336 | - | 1 | - | 1 | REFER SERIAL LABEL |
| 28 | 4025735.900 | AR | AR | AR | AR | TRIM-LOK BLACK |

LIST OF PARTS NOT SHOWN

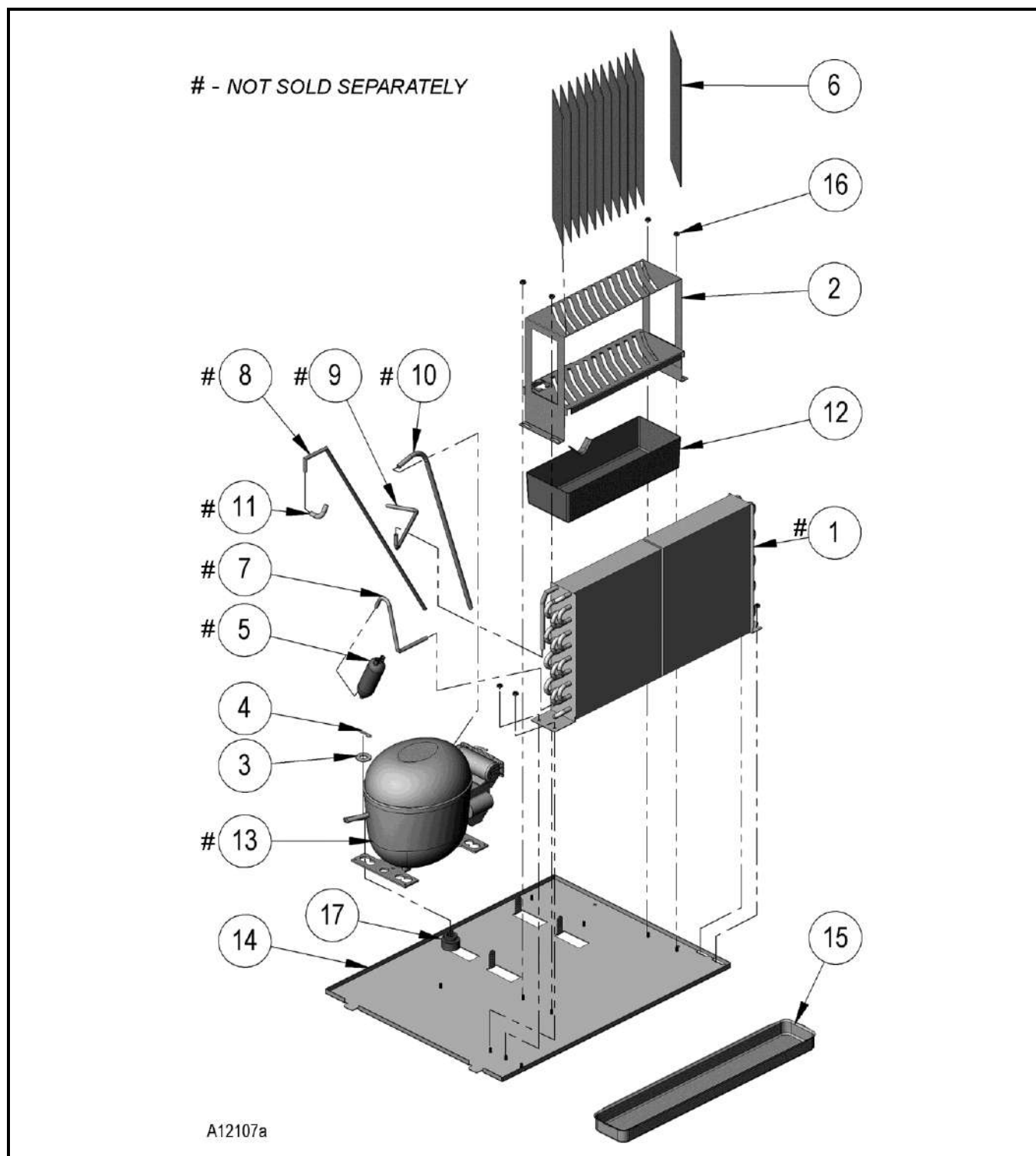
| | | | | | | |
|----|---------------|----|----|----|----|---|
| 29 | R .3994 | AR | AR | AR | AR | SEAL – MASTIC PERMAGUM |
| 30 | 4201709 | AR | AR | AR | AR | SOLDER SAFE SIL15% |
| 31 | 4205470 | AR | AR | AR | AR | R-134A REFRIGERANT |
| 32 | 4206366.005 | AR | AR | AR | AR | INSULATION TUBING 52" |
| 33 | 4212649 | AR | AR | AR | AR | ALUM TAPE 2" 50 YD ROLL |
| 34 | 4212649.002 | AR | AR | AR | AR | ALUMINUM TAPE 4" |
| 35 | 4212656 | AR | AR | AR | AR | 5/8 ID INSULATION TUBE W/SLIT |
| 36 | 4214348 | 1 | 1 | 1 | 1 | REFERIGERATION SYSTEM HARNESS (S/N < 1344364) |
| | 4222641 | 1 | 1 | 1 | 1 | REFERIGERATION SYSTEM HARNESS (S/N ≥ 1344364) |
| 37 | 4218268 | 1 | 1 | 1 | 1 | CORK TAPE |
| 38 | 4218462 | AR | AR | AR | AR | BRAZE 560 FLUX CORE |
| 39 | 4221431 | 1 | 1 | 1 | 1 | EVAPORATOR FAN EXTENSION HARNESS |
| 40 | 4222270 | - | 1 | - | 1 | EVAP FAN HARNESS |
| 41 | 4223096 | 1 | 1 | 1 | 1 | CONTENT UNDER PRESSURE LABEL |
| 42 | β 4222642.001 | - | - | - | - | CONDENSER FAN HARNESS |

β – This harness is needed to adapt New Refrigeration System to the cabinet. (For S/N < 1344364)

* SPECIFY COLOR
AR AS REQUIRED

† SPECIFY VOLTAGE/HEATED/UN-HEATED
‡ SPECIFY SOFTWARE VERSION

REFRIGERATION BASE ASSEMBLY (110V & 220V)



* SPECIFY COLOR
AR AS REQUIRED

† SPECIFY VOLTAGE/ HEATED/UN-HEATED
‡ SPECIFY SOFTWARE VERSION

REFRIGERATION BASE ASSEMBLY (110V & 220V) PARTS LIST

| ITEM NO. | PART NUMBER | 3561 | 3561A | 3563 | 3563A | DESCRIPTION |
|----------|-------------|------|-------|------|-------|---|
| - | 1218869 | 1 | - | 1 | - | REFER BASE ASSEMBLY / 115 VAC |
| - | 1218869.001 | - | 1 | - | 1 | REFER BASE ASSEMBLY / 230 VAC |
| 1 | 1216651 | 1 | 1 | 1 | 1 | CONDENSER COIL |
| 2 | 1216968 | 1 | 1 | 1 | 1 | EVAPORATE CARD WELD |
| 3 | 4050608 | 8 | 8 | 8 | 8 | 1/2 FLAT WASHER-ZINC |
| 4 | 4050773.001 | 4 | 4 | 4 | 4 | #17 HITCH PIN "CLOSED" |
| 5 | 4205468.003 | 1 | 1 | 1 | 1 | DRIER BONDED CORE |
| 6 | 4214735 | 12 | 12 | 12 | 12 | EVAPORATE CARD |
| 7 | 4215044 | 1 | 1 | 1 | 1 | CONDENSOR TO DRIER |
| 8 | 4215045 | 1 | 1 | 1 | 1 | PROCESS TUBE |
| 9 | 4215046 | 1 | 1 | 1 | 1 | COMPRESSOR TO CONDENSOR |
| 10 | 4215047 | 1 | 1 | 1 | 1 | COMPRESSOR DISCHARGE |
| 11 | 4215048 | 1 | 1 | 1 | 1 | SUCTION LINE TO COMPRESSOR |
| 12 | 4215256 | 1 | 1 | 1 | 1 | DRAIN PAN W/SPOUT |
| | 4213095 | 1 | - | 1 | - | COMPRESSOR / MATS / 110V/ SUPER 1/3 (S/N < 1309375) |
| | 4221445 | 1 | - | 1 | - | COMPRESSOR FFU130HAX 115V/60HZ (S/N ≥ 1309375) |
| 13 | 4219305.001 | - | 1 | - | 1 | COMPRESSOR / MATS / 220V/ SUPER 1/3 (S/N < 1309375) |
| | 4221445.001 | - | 1 | - | 1 | COMPRESSOR FFU130HAX 220V/50HZ (S/N ≥ 1309375) |
| | 4221445.002 | - | 1 | - | 1 | COMPRESSOR FFU130HAX 220V/60HZ (S/N ≥ 1309375) |
| 14 | 4221567.001 | 1 | 1 | 1 | 1 | REFER BASE |
| 15 | 7200623.000 | 1 | 1 | 1 | 1 | DRAIN PAN |
| 16 | 8800956 | 7 | 7 | 7 | 7 | 6-32 HEX NUT W/ETW |

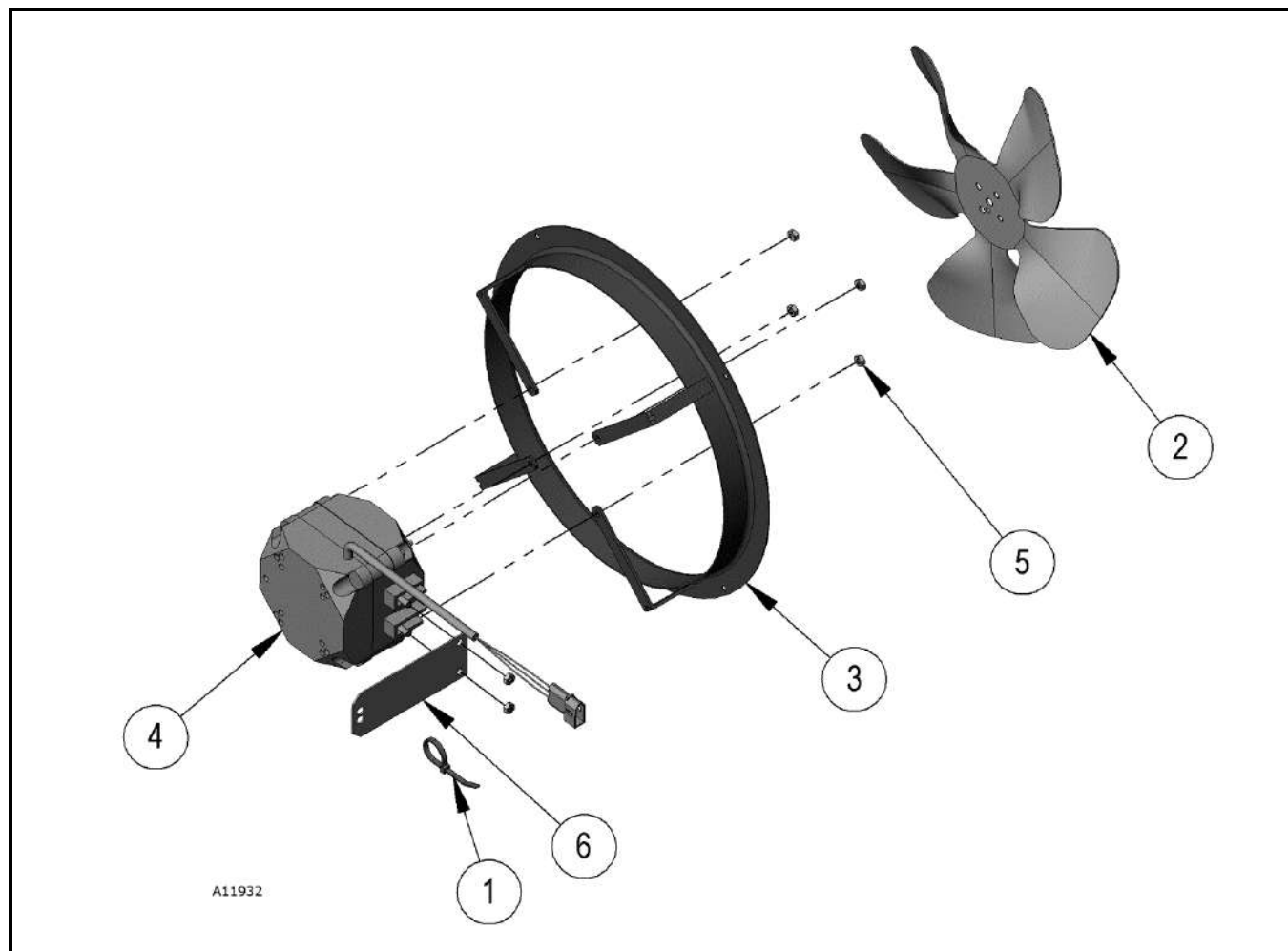
LIST OF PARTS NOT SHOWN

| | | | | | | |
|----|-------------|---|---|---|---|--|
| 17 | R.4791 | 1 | 1 | 1 | 1 | CU TUBING 1/2 X .032 |
| 18 | 4216098 | 1 | 1 | 1 | 1 | 1/4" LIQUID LINE |
| | 4212284 | 1 | - | 1 | - | START RELAY - 110V (S/N < 1309375) |
| 19 | 4222136 | 1 | - | 1 | - | START RELAY - 110V (S/N ≥ 1309375) |
| | 4218385 | - | 1 | - | 1 | START RELAY - 220V (S/N < 1309375) |
| | 4222136.001 | - | 1 | - | 1 | START RELAY - 220V (S/N ≥ 1309375) |
| 20 | 4222137 | 1 | - | 1 | - | OVERLOAD PROTECTOR - 110V (S/N ≥ 1309375) |
| | 4222137.001 | - | 1 | - | 1 | OVERLOAD PROTECTOR - 220V (S/N ≥ 1309375) |
| | 4218626 | 1 | - | 1 | - | STARTING CAPACITOR - 115 V (S/N < 1309375) |
| 21 | 4222138 | 1 | - | 1 | - | CAPACITOR - 115 V (S/N ≥ 1309375) |
| | 4212286.001 | - | 1 | - | 1 | STARTING CAPACITOR - 220V (S/N < 1309375) |
| | 4222138.001 | - | 1 | - | 1 | CAPACITOR - 220V (S/N ≥ 1309375) |
| 22 | 4213752 | 1 | - | 1 | - | OVERLAOD PROTECTOR - 115V |
| | 4213752.002 | - | 1 | - | 1 | OVERLOAD PROTECTOR - 230V |

* SPECIFY COLOR
AR AS REQUIRED

† SPECIFY VOLTAGE/ HEATED/UN-HEATED
†† SPECIFY SOFTWARE VERSION

CONDENSER FAN ASSEMBLY (110V & 220V)



CONDENSER FAN ASSEMBLY PARTS LIST

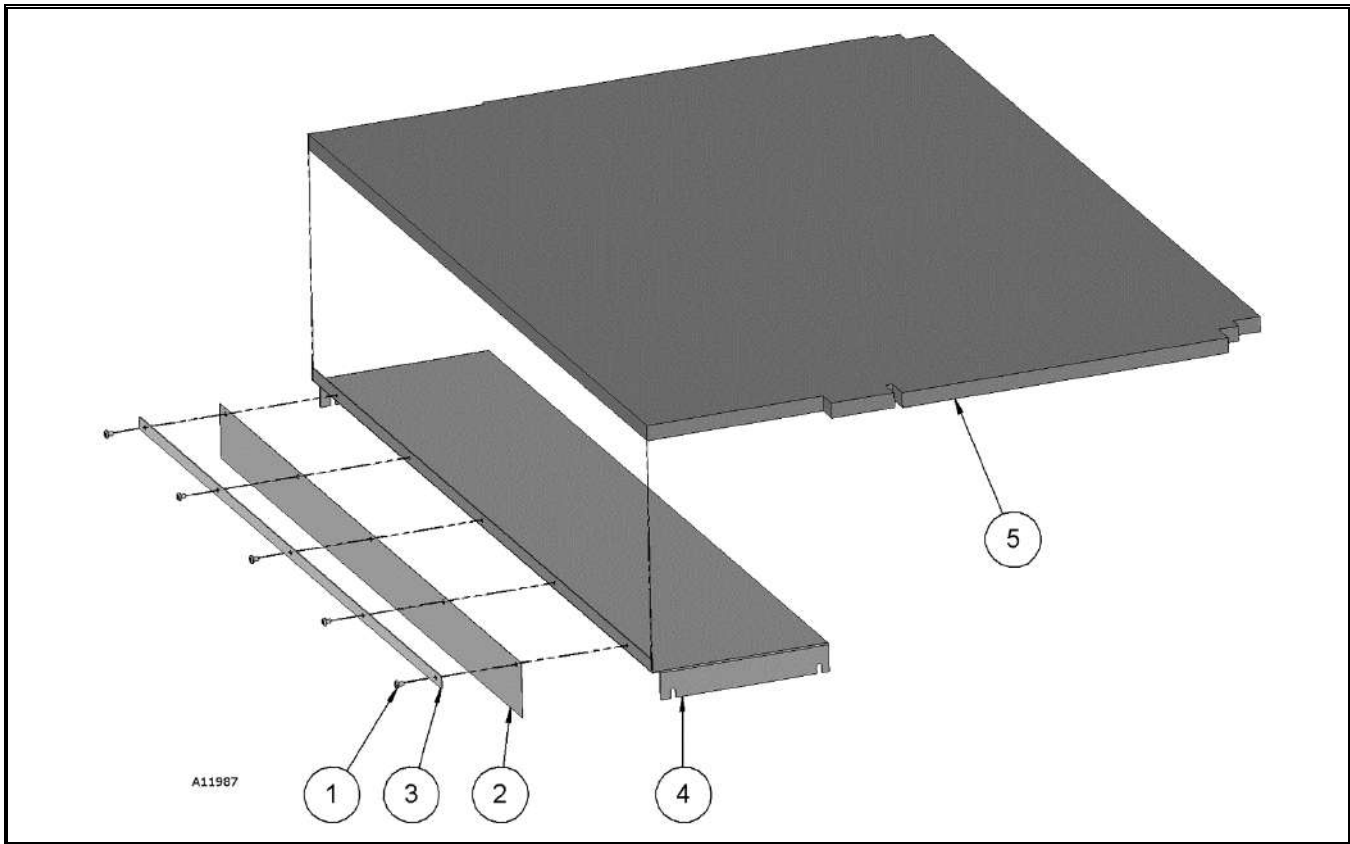
| ITEM NO. | PART NUMBER | 3561 | 3561A | 3563 | 3563A | DESCRIPTION |
|----------|-------------|------|-------|------|-------|--|
| 1 | 4033704 | 1 | 1 | 1 | 1 | CABLE TIE 5.6 |
| 2 | 4222731 | 1 | 1 | 1 | 1 | 9" FAN BLADE 22° |
| 3 | 4214778.001 | 1 | 1 | 1 | 1 | CONDENSER FAN VENTURI RING |
| 4 | 4214798 | 1 | - | 1 | - | 16W FAN MOTOR-115 VAC (S/N < 1344361) |
| | 4221296.006 | 1 | - | 1 | - | H.E.CONDENSER FAN MOTOR/115V/ROS (S/N ≥ 1344361) |
| | 4214798.001 | - | 1 | - | 1 | 16W FAN MOTOR-230VAC (S/N < 1344361) |
| | 4221296.007 | - | 1 | - | 1 | H.E.CONDENSER FAN MOTOR/230V/ROS |
| 5 | 4215271 | 6 | 6 | 6 | 6 | M4 X .7 HEX LOCK NUT |
| 6 | α4215366 | 1 | 1 | 1 | 1 | CONDENSER FAN CABLE MOUNT |

α – Used only with the FAN MOTOR #4214798 & 4214798.001

* SPECIFY COLOR
AR AS REQUIRED

† SPECIFY VOLTAGE/ HEATED/UN-HEATED
‡ SPECIFY SOFTWARE VERSION

BARRIER ASSEMBLY



BARRIER ASSEMBLY PARTS LIST

| ITEM NO. | PART NUMBER | 3561 | 3561A | 3563 | 3563A | DESCRIPTION |
|----------|-------------|------|-------|------|-------|---------------------------|
| 1 | 4201942 | - | - | 5 | 5 | 6-20X3/16 PHL PH TYP-B |
| 2 | 4215056 | - | - | 1 | 1 | AIR GAP CURTAIN/5W |
| 3 | 4215058 | - | - | 1 | 1 | CURTAIN RETAINER PLATE/5W |
| 4 | 4217390 | - | - | 1 | 1 | FRONT BARRIER BRACE (5W) |
| 5 | 4217391 | - | - | 1 | 1 | INSULATING BARRIER |

* SPECIFY COLOR
AR AS REQUIRED

† SPECIFY VOLTAGE/ HEATED/UN-HEATED
‡ SPECIFY SOFTWARE VERSION

OPTIONAL SPIRALS

| SINGLE SPIRAL - CCW PART NUMBER | DUAL SPIRAL - CW PART NUMBER | SPIRAL SIZE | SPIRAL COUNT | ESTIMATED PRODUCT SIZE INCHES (MM) |
|---------------------------------|------------------------------|-------------|--------------|------------------------------------|
| 4200272.100309 | 4205532.100309 | Candy | 15 | 1.22 (31) |
| 4200272.101309 | 4205532.101309 | Candy | 18 | 1.00 (25) |
| 4200272.102309 | 4205532.102309 | Candy | 24 | 0.71 (18) |
| 4200272.103309 | 4205532.103309 | Candy | 30 | 0.51 (13) |
| 4200272.104309 | 4205532.104309 | Candy | 12 | 1.55 (39) |
| 4200272.105309 | 4205532.105309 | Candy | 9 | 2.10 (53) |
| 4200272.106309 | 4205532.106309 | Candy | 6 | 3.16 (80) |
| 4200272.107309 | | Snack | 10 | 1.89 (48) |
| 4200272.108309 | | Snack | 12 | 1.55 (39) |
| 4200272.109309 | | Snack | 15 | 1.22 (31) |
| 4200272.110309 | | Snack | 7 | 2.71 (69) |
| 4200272.111309 | | Snack | 8 | 2.37 (60) |
| 4200272.131309 | 4205532.131309 | Candy | 10 | 1.89 (48) |
| 4200272.132309 | 4205532.132309 | Candy | 11 | 1.72 (44) |
| 4200272.133309 | | Snack | 30 | 0.51 (13) |
| 4200272.134309 | 4205532.134309 | Snack | 18 | 1.00 (25) |
| 4200272.137309 | | Snack | 11 | 1.72 (44) |
| 4200272.138309 | | Snack | 6 | 3.16 (80) |
| 4200272.139309 | | Snack | 5 | 3.50 (89) |
| 4200272.140309 | | Snack | 12 | 1.63 (41) |
| 4200272.141309 | | Candy | 29 1/2 | 0.52 (13) |
| 4200272.142309 | 4205532.142309 | Candy | 8 | 2.37 (60) |
| 4200272.145309 | 4205532.145309 | Candy | 5 | 3.50 (89) |
| 4200272.147309 | 4205532.147309 | Candy | 4 | 4.38 (111) |
| 4200272.148309 | 4205532.148309 | Candy | 3 | 5.80 (147) |
| 4202313.100309 | | G&M | 18/36 | 1.00 (25) |
| 4202313.102309 | | G&M | 24/48 | 0.71 (18) |
| 4202313.103309 | | HiCap | 30/60 | 0.50 (13) |
| 4202313.104309 | | HiCap | 24/48 | 0.71 (18) |
| 4202313.105309 | | HiCap | 18/36 | 1.00 (25) |
| 4202313.106309 | | HiCap | 15/30 | 1.22 (31) |
| 4202313.107309 | | G&M | 20/40 | 0.86 (22) |
| 4202313.108309 | | HiCap | 12/24 | 1.55 (39) |

* SPECIFY COLOR
AR AS REQUIRED

† SPECIFY VOLTAGE/ HEATED/UN-HEATED
‡ SPECIFY SOFTWARE VERSION

OPTIONAL PRICE SCROLLS

| PRICE SCROLL PART NUMBER | SCROLL PRICE RANGE | | COUNTRY |
|-----------------------------|-----------------------|------------------|-----------|
| 4217475.001 | FREE AND .40 TO 2.35 | (.05 INCREMENTS) | USA |
| 4217475.002 | 1.5 TO 21.5 | (.50 INCREMENTS) | MEXICO |
| 4217475.003 | .25 TO 10.25 | (.25 INCREMENTS) | USA |
| 4217475.004 | 1000 TO 3000 | (50 INCREMENTS) | VENEZUELA |
| 4217475.005 | 3000 TO 5000 | (50 INCREMENTS) | VENEZUELA |
| 4217475.006 | FREE AND 2.40 TO 6.30 | (10 INCREMENTS) | AUSTRALIA |
| 4217475.007 | 1.80 to 3.00 | (.05 INCREMENTS) | USA |
| | 3.00 TO 4.60 | (.10 INCREMENTS) | |

Note: These scrolls are for earlier tray design (s/n <1360592). Refer page # 29 through 34.

* SPECIFY COLOR
AR AS REQUIRED

† SPECIFY VOLTAGE/ HEATED/UN-HEATED
†† SPECIFY SOFTWARE VERSION

NOTES

The contents of this publication are presented for informational purposes only, and while every effort has been made to ensure their accuracy, they are not to be construed as warranties or guarantees, express or implied, regarding the products or services described herein or their use or applicability. We reserve the right to modify or improve the designs or specifications of such products at any time without notice.



VendNet™
165 North 10th Street
Waukee, Iowa 50263
United States of America



| | USA & Canada | International |
|----------|-------------------------------|-----------------------|
| Service | (800) 833-4411 | (515) 274-3641 |
| Parts | (888) 259-9965 | |
| Email | vendnet@vendnetusa.com | |
| Web Site | www.vendnetusa.com | |