

MULTI-ZONE FOAMED MACHINE

MODEL - 3532

PARTS MANUAL

(COVERS MACHINES IN SERIAL NUMBER RANGE 1239064 – 1247628)



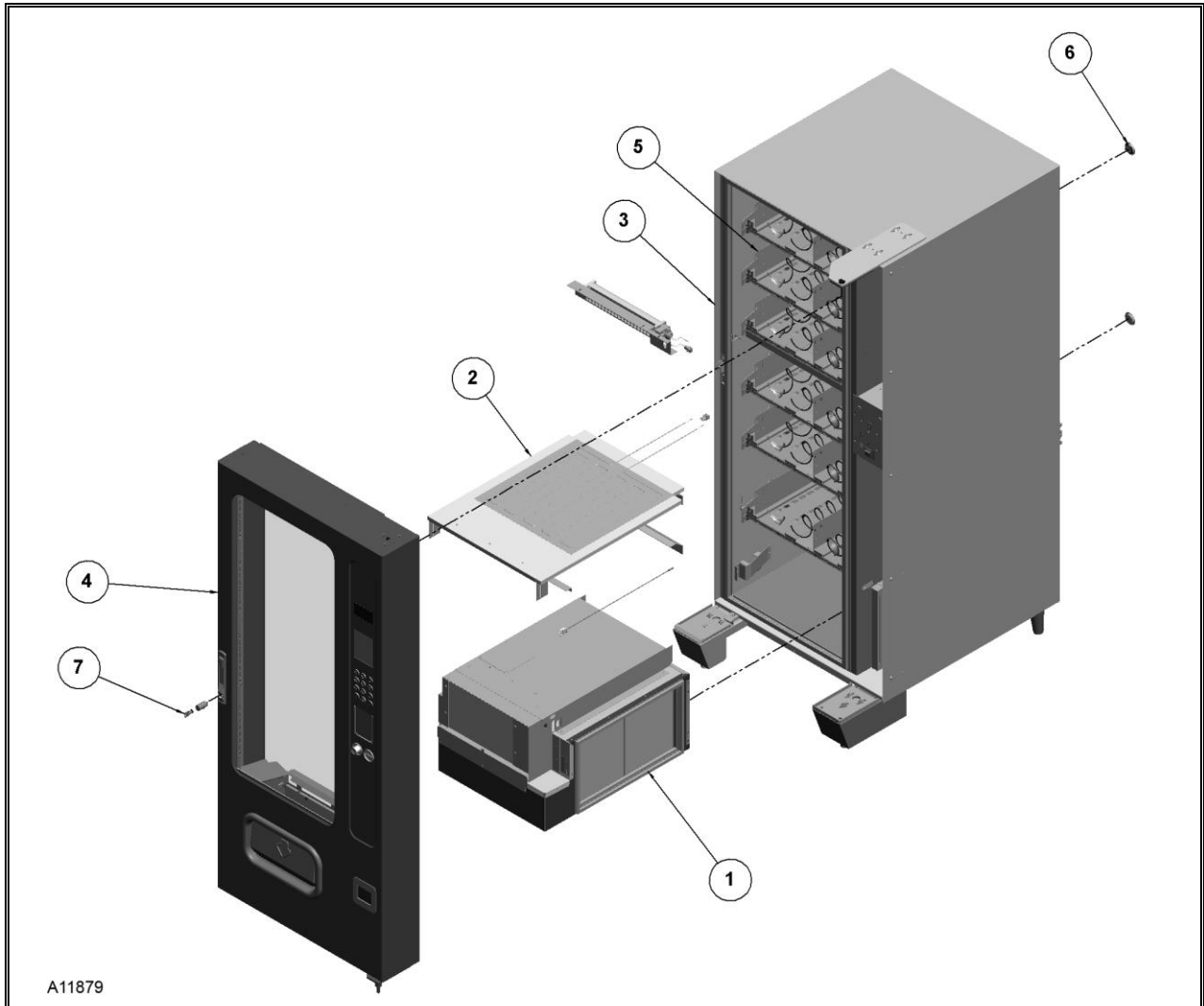
A11878

VendNet™
165 North 10th Street
Waukee, IOWA 50263-0488
United States of America

TABLE OF CONTENTS

FINAL ASSEMBLY	1
<i>FINAL ASSEMBLY PARTS LIST</i>	<i>1</i>
DOOR ASSEMBLY	2
<i>DOOR ASSEMBLY PARTS LIST</i>	<i>3</i>
DELIVERY BOX ASSEMBLY	6
<i>DELIVERY BOX ASSEMBLY PARTS LIST</i>	<i>6</i>
LED SIDE ASSEMBLY	8
<i>LED SIDE ASSEMBLY PARTS LIST</i>	<i>8</i>
CABINET ASSEMBLY.....	9
<i>CABINET ASSEMBLY PARTS LIST</i>	<i>10</i>
CABINET SUB ASSEMBLY	13
<i>CABINET SUB ASSEMBLY PARTS LIST</i>	<i>13</i>
MZF TRAY ASSEMBLY	14
<i>MZF TRAY ASSEMBLY PARTS LIST</i>	<i>14</i>
REFERIGERATION MODULE ASSEMBLY.....	16
<i>REFERIGERATION MODULE ASSEMBLY PARTS LIST</i>	<i>16</i>
MZF INSTALL ASSEMBLY	18
<i>MZF INSTALL ASSEMBLY PARTS LIST</i>	<i>18</i>

FINAL ASSEMBLY



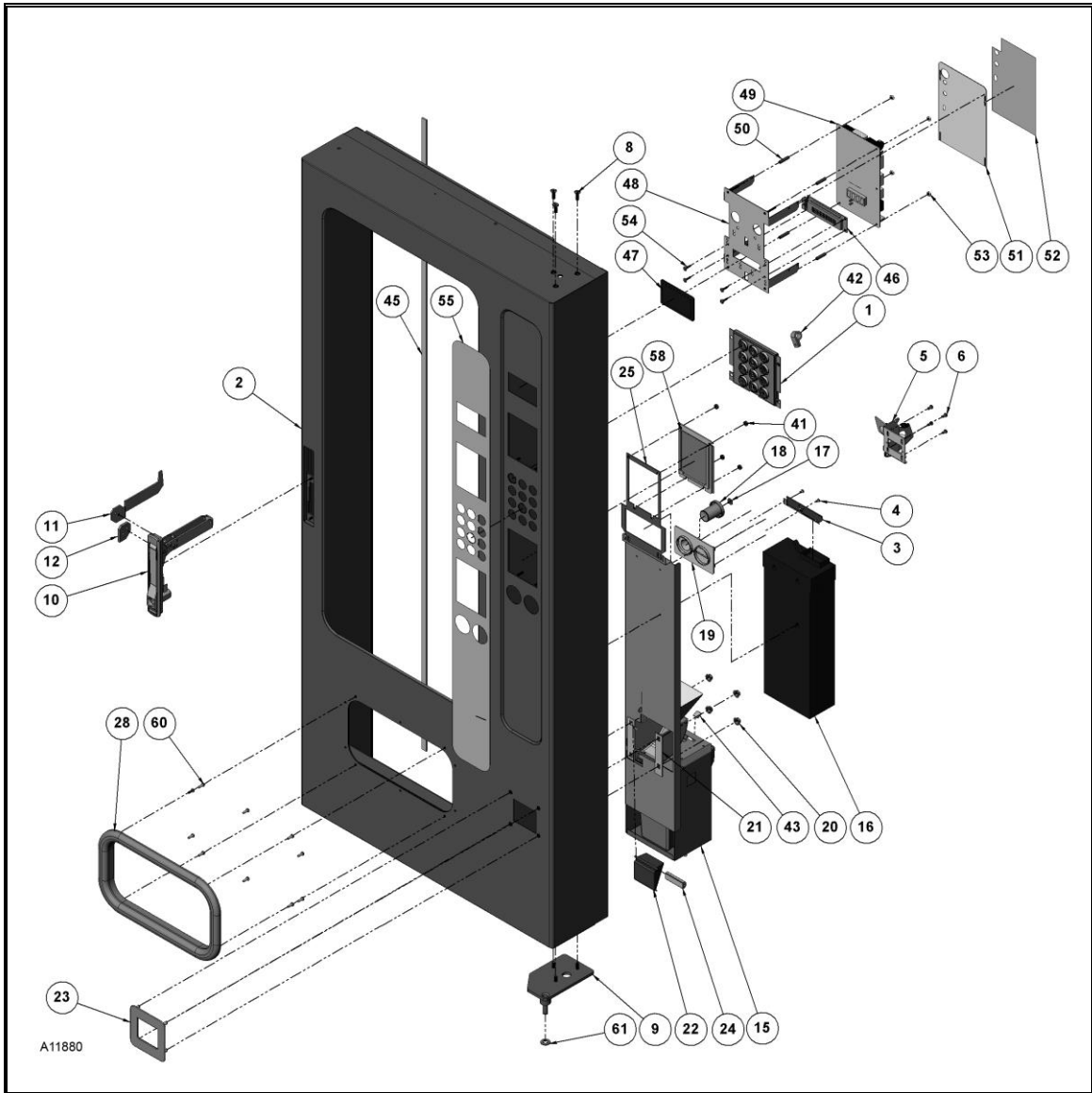
A11879

FINAL ASSEMBLY PARTS LIST

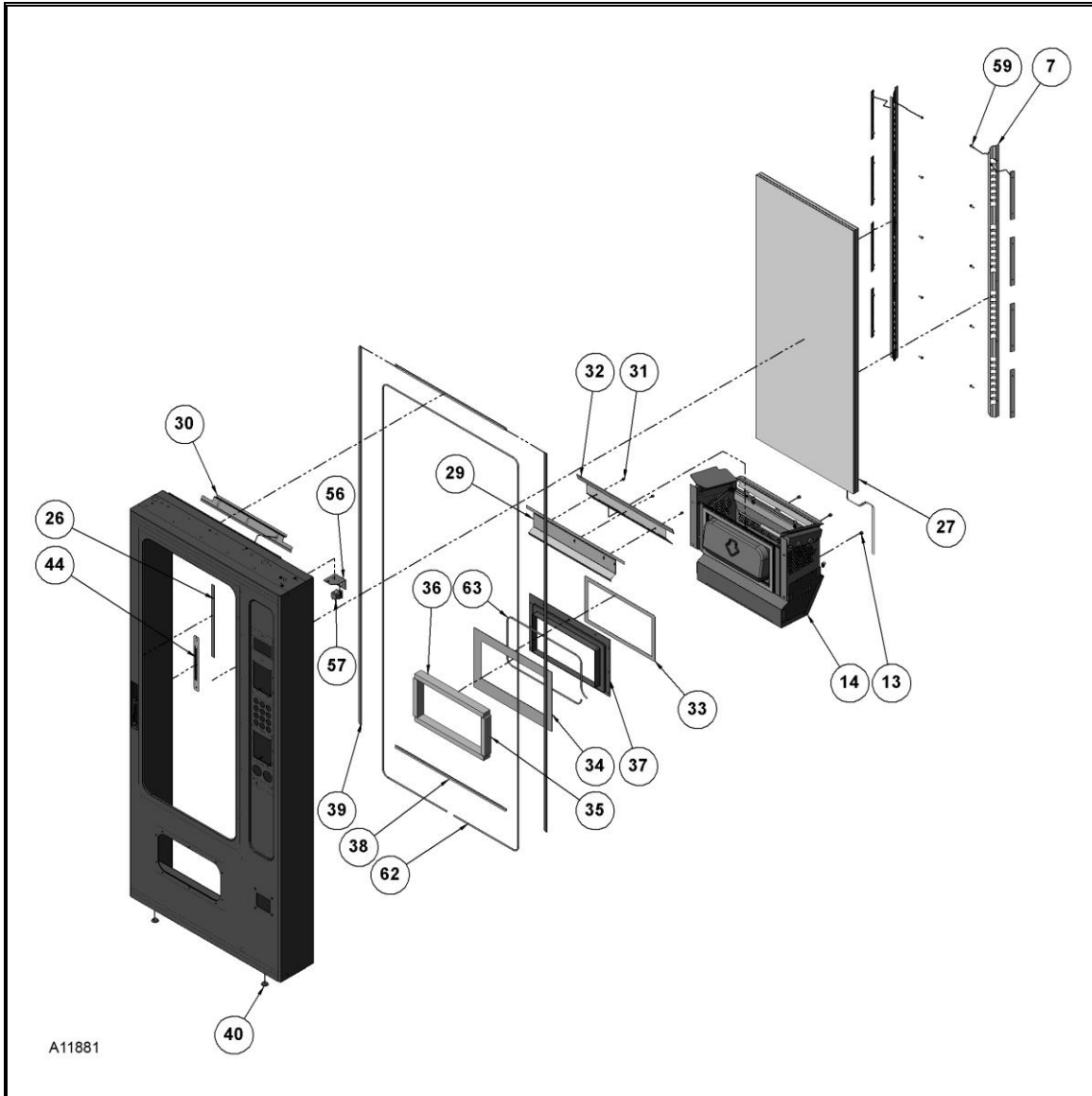
ITEM NO.	PART NUMBER	QTY.	DESCRIPTION
1	1217671	1	REFRIGERATION MODULE ASSEMBLY (SEE PAGE #16)
2	1217737	1	MZF INSTALL ASSEMBLY (SEE PAGE #18)
3	1217776	1	CABINET ASSEMBLY (SEE PAGE #9)
4	1217777	1	DOOR ASSEMBLY (SEE PAGE #2)
5	1217778	6	MZF TRAY (SEE PAGE #14)
6	7250135	2	HOLE PLUG - 1 3/8"
7	1212652	1	LOCK INSTALL

AR – As required

DOOR ASSEMBLY



AR – As required



DOOR ASSEMBLY PARTS LIST

ITEM NO.	PART NUMBER	QTY	DESCRIPTION
1	1216670	1	KEY PAD ASSEMBLY
2	1217848	1	DOOR FOAM ASSEMBLY (3W)
3	1217787	1	COIN CHUTE WELD
4	4201942	2	6-20 X 3/16 PHIL PH TYP B
5	1217987	1	COIN RETURN LEVER MECHANISM
6	4050423	4	18-8 STAINLESS STEEL
7	1217770	2	LED SIDE ASSEMBLY (SEE PAGE #8)
8	4212089	6	1/4-20 x 3/4 COUNTERSUNK HEAD CAP SCREW
9	1216661	1	BOTTOM DOOR HINGE WELD
10	4215971	1	DOOR HANDLE ASSEMBLY

AR – As required

ITEM NO.	PART NUMBER	QTY	DESCRIPTION
11	4217879	1	LATCH HOOK
12	4218563	1	LATCH TONGUE SPACER
13	8330164	3	8-32 THUMB NUT
14	1217637	1	DELIVERY BOX ASSEMBLY (3W) (SEE PAGE #6)
15	1216793	1	COIN BOX OPTION
16	4200419.GX	1	COINCO L MECH
17	4209188	1	SNAP PIN
18	4203187	1	COIN RETURN BUTTON
19	4203186.004	1	COIN INSERT BLACK 1 1/8
20	4050747	4	1/4 SHEET METAL NUT
21	4203207	1	COIN CUP
22	4203208	1	COIN CUP DOOR
23	4203209	1	COIN CUP BEZEL
24	4213532	AR	D-GASKET
25	4210954	1	INSERT MOUNT
26	4209845	AR	PROTECTIVE WINDOW SEAL
27	4217187	1	HEATED TRI-PANE GLASS
28	4214609.003	1	DELIVERY BEZEL
29	4214115	1	BOTTOM WINDOW RETAINER (3W)
30	4216278	1	HARNES COVER (3W)
31	4213164.008	3	8-32 NYLON CAP NUT
32	4214117	1	BOTTOM WINDOW DEFLECTOR (3W)
33	4217109	1	GASKET METAL FRAME
34	4219001	1	TRANSITION GASKET
35	4212650.001	2	FOAM TAPE
36	4212650.002	2	FOAM TAPE
37	4217183	1	TRANSITION PORT
38	4217303.001	2	HEATED PLATE - SS
39	4217303	2	HEATED PLATE - SS
40	7250135.003	2	HOLE PLUG-BPF 3/4
41	8800956	34	8-32 HEX NUT W/ETW
42	7090002.713	3	3/4 CABLE CLAMP
43	8620828	1	4 PIN COVER
44	4218439	1	HANDLE HOOK TRIM PLATE
45	4215119.001	AR	FOAM TAPE
46	4216028	1	VF DISPLAY, RIGHT ANGLE
47	4202841.009	1	READOUT WINDOW/BLUE
48	4216656.001	1	DISPLAY MOUNT STAKE
49	4214682	1	GVC2 CONTROL BOARD
50	4216687	4	TUBULAR SPACER
51	4216657	1	CONTROL BOARD COVER
52	4216031	1	SERVICE MODEL LABEL - GVC2
53	4209866	4	6-32 PLASTIC NUT
54	4211310.375	4	BOARD STANDOFF
55	4217576	1	SELECTOR PANEL DECAL
56	4217588	1	DOOR SWITCH MOUNT
57	4212621	1	SWITCH
58	1215919.011	1	INSTRUCTION INSERT
59	4050202.001	10	8-18 x 1/2 PHIL HWH TEK
60	8801322	10	8-18X1/2 PHIL PH-HILO
61	4050767	1	NYLON WASHER

AR – As required

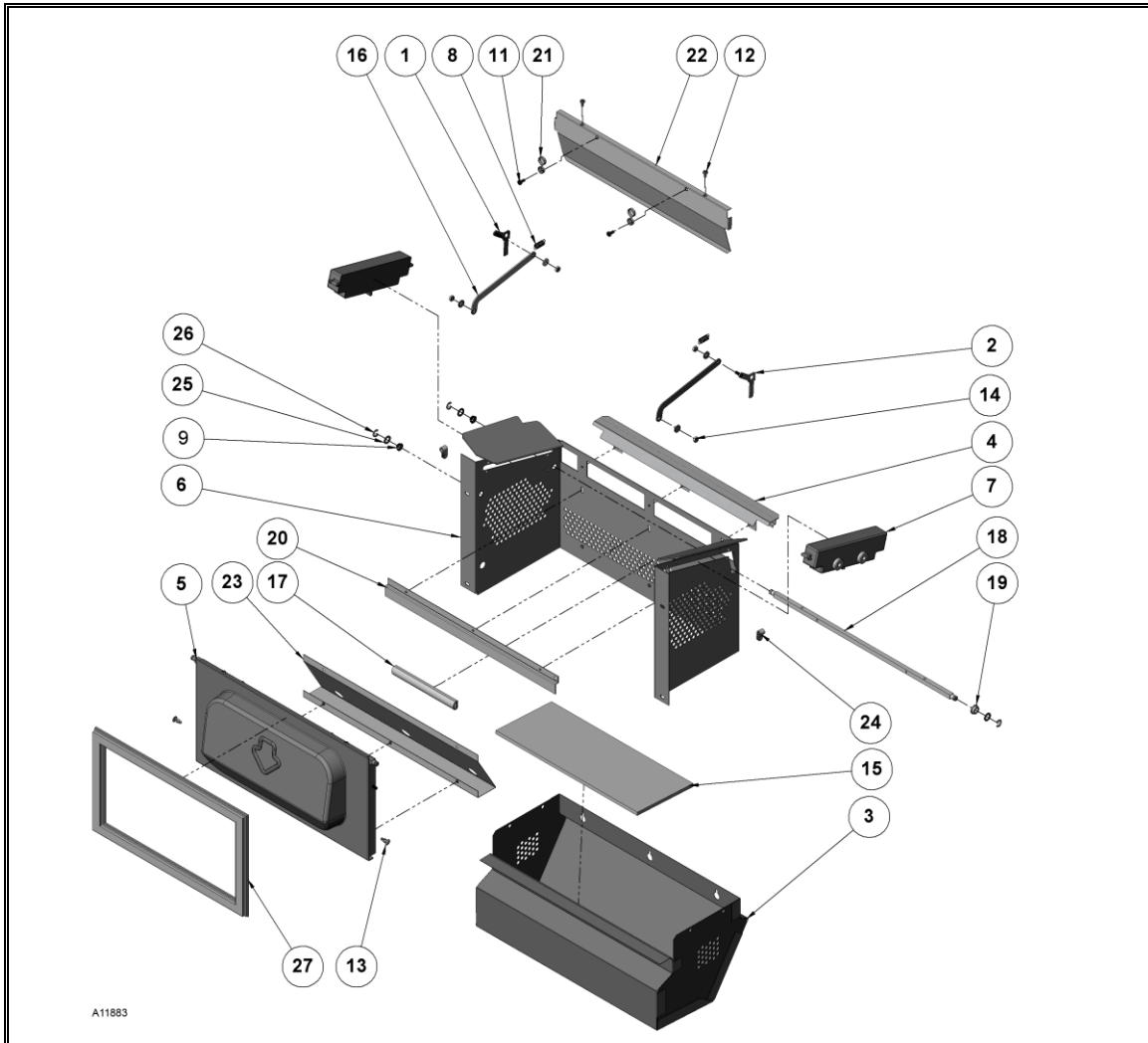
ITEM NO.	PART NUMBER	QTY	DESCRIPTION
62	4215947.002	1	HEATER WIRE
63	4212576	1	HA-HEATER WIRE DELIVERY

LIST OF PARTS NOT SHOWN

64	4216708	1	I-VEND EXTENSION CABLE
65	4214278	1	DEX HARNESS
66	4215373	1	DOOR SWITCH HARNESS
67	4215719	1	GVC2 DISPLAY CABLE
68	4216099	1	KEYPAD CABLE
69	4217620	1	LED POWER HARNESS

AR – As required

DELIVERY BOX ASSEMBLY



A11883

DELIVERY BOX ASSEMBLY PARTS LIST

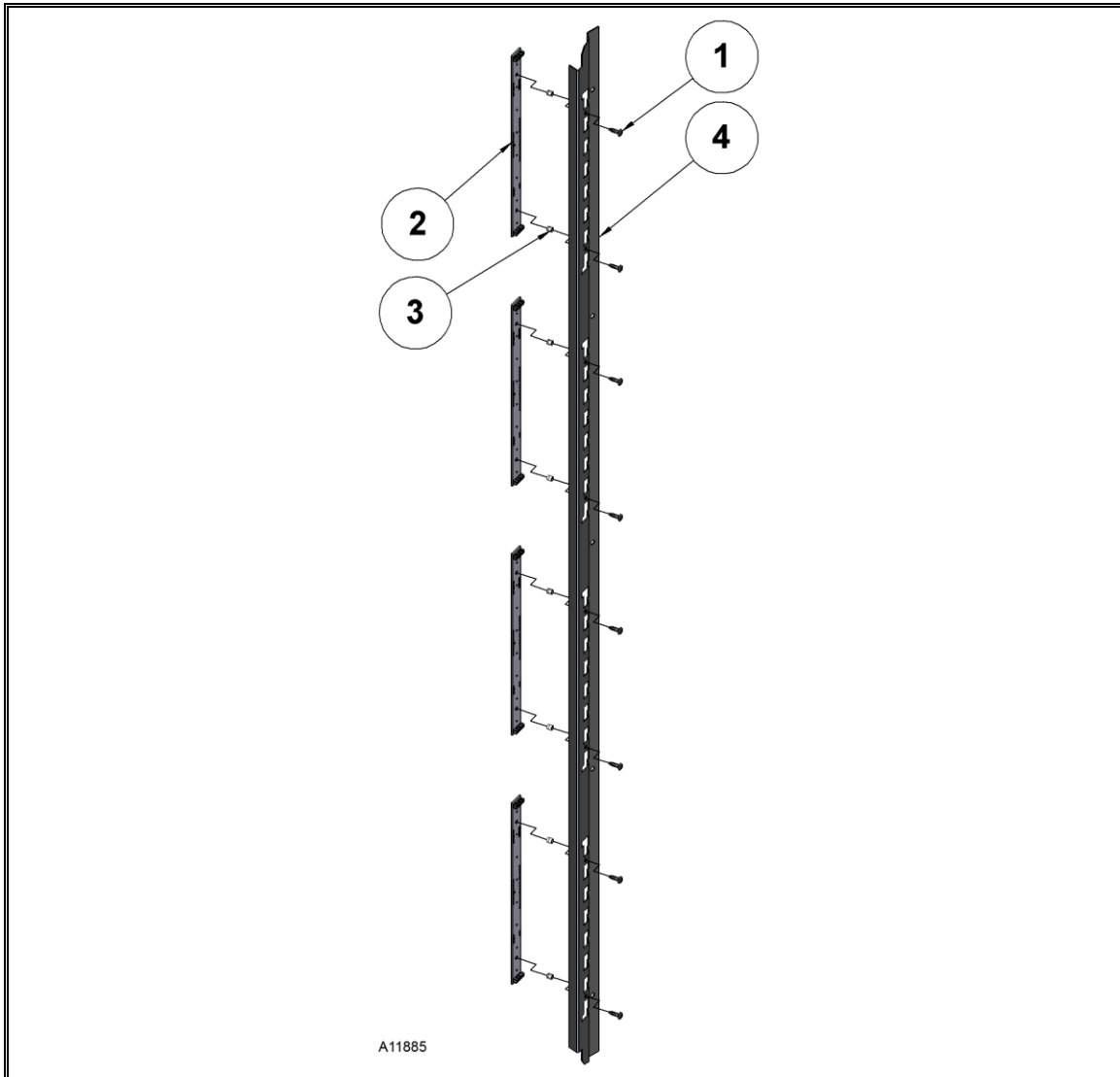
ITEM NO.	PART NUMBER	QTY	DESCRIPTION
1	1216111.001	1	ANTI-CHEAT LINK STAKE
2	1216111.002	1	ANTI-CHEAT LINK STAKE
3	1216693	1	DELIVERY BOX BOTTOM WELD
4	1216850	1	DELIVERY BACK DEFLECTER WELDMENT (3W)
5	1217638	1	DELIVERY DOOR FOAM ASSEMBLY
6	1217660	1	DELIVERY WRAPPER WELD
7	1217697	1	1 - VEND BOX ASSEMBLY
8	4021020	2	SPRING 9/32 x 1 3/32
9	4025263.001	2	TYPE #5 NYLINER 5/16 ID
10	4030100.001	4	SPACER BUSHING
11	4050239	6	8-32 x 3/8 PHIL PH TYP 23
12	4050423	13	18-8 STAINLESS STEEL
13	4205329	2	ARROW CLIP
14	4050511	4	8-32 TWO WAY LOCK NUT

AR – As required

ITEM NO.	PART NUMBER	QTY	DESCRIPTION
15	4205705.010	1	DELIVERY PAD
16	4212462	2	DELIVERY LINK
17	4213532	AR	D-GASKET
18	4214104	1	DELIVERY SHAFT (3W)
19	4214112	2	NYLON SHOULDER BUSHING
20	4214165	1	DELIVERY BACK ANTI-THEFT (3W)
21	4215272	2	HINGED SCREW COVER
22	4217729	1	DELIVERY ANTI-CHEAT FRONT (3W)
23	4217734	1	DELIVERY DOOR BACK
24	8324099.2	2	3/8 x 1/4 CLAMP
25	8324353	4	5/16 ID FLAT WASHER
26	8801080	4	E-RING
27	4218955	1	MAGNETIC DELIVERY DOOR GASKET

AR – As required

LED SIDE ASSEMBLY



LED SIDE ASSEMBLY PARTS LIST

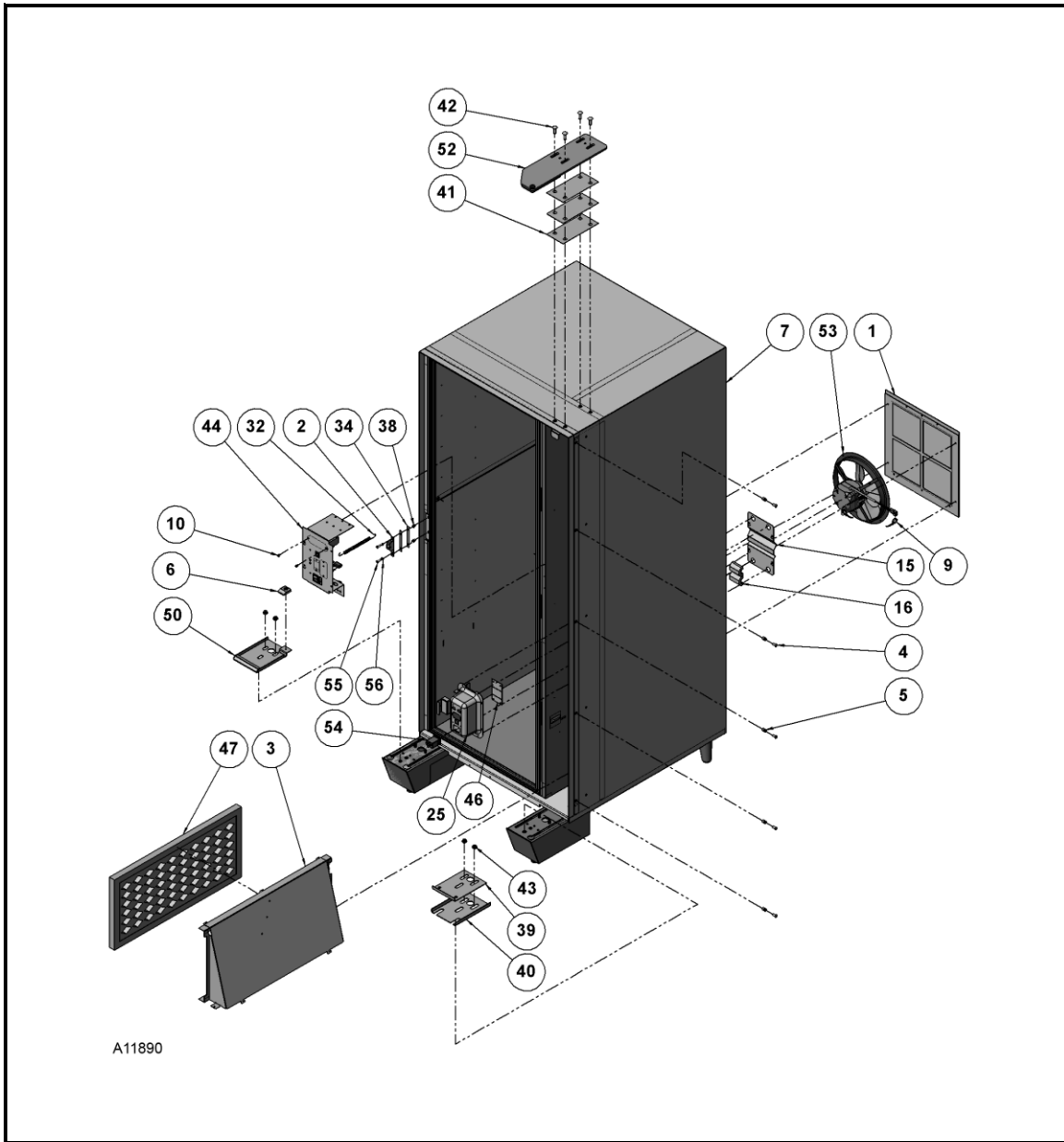
ITEM NO.	PART NUMBER	QTY	DESCRIPTION
1	4215561.014	8	SNAP RIVET BLACK 1/8
2	4216544	4	LED LIGHT ENGINE
3	4216676	8	NYLON SPACER
4	4218786	1	LED MOUNT

LIST OF PARTS NOT SHOWN

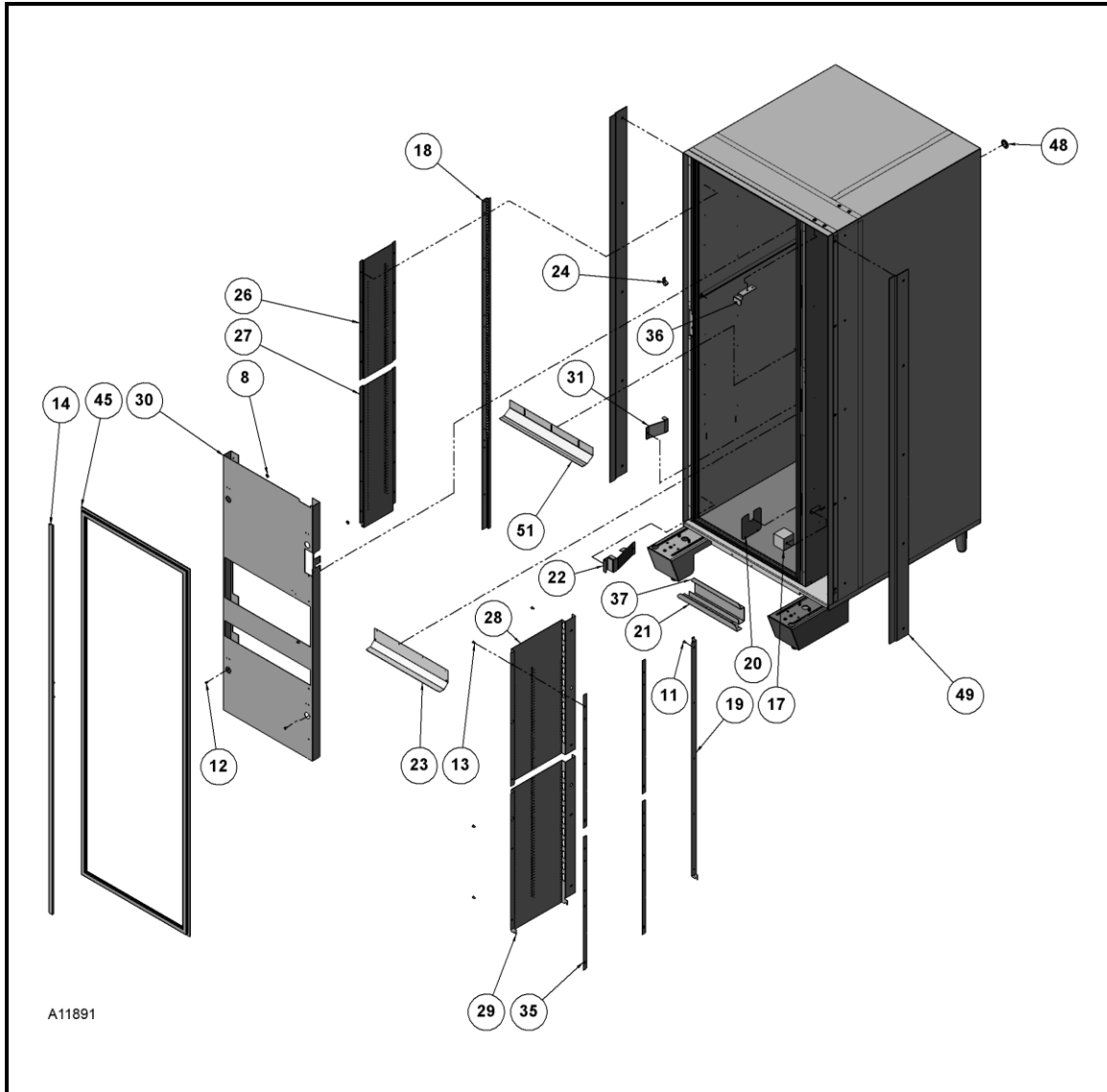
5	4216691	4	TAB WIRE ASSEMBLY
6	4216693.004	6	20 GA WIRE/BLACK-3.75"

AR – As required

CABINET ASSEMBLY



AR – As required



CABINET ASSEMBLY PARTS LIST

ITEM NO.	PART NUMBER	QTY	DESCRIPTION
1	1217222	1	SCREEN WELD
2	1217846	1	LATCH MOUNT ASSEMBLY
3	1217911	1	INTAKE HOOD FILTER RACK ASSEMBLY
4	4212909	10	1/4-20 x 1/2 BUTTON HD TORX
5	4212937.016	10	BULK INSERT
6	4025610	1	DOOR GLIDE
7	1217619	1	CABINET FOAM ASSEMBLY (3W)
8	4030100	2	SPACER BUSHING
9	4033712	3	CABLE TIE 7 3/8
10	4050420	5	8-18 x 1/4 PHIL HWH TY
11	4050423.001	10	8-18 x 1/2 PHIL PH TY-A
12	4050423	25	8-18 x 1/2 PHIL PH TY-A/BLK
13	4050241	10	8-18 x 3 PHIL PD TY
14	4211555	AR	BEVELED FOAM GASKET

AR – As required

ITEM NO.	PART NUMBER	QTY	DESCRIPTION
15	4213448	1	CONNECTION BOX COVER
16	4213628	1	EMI SUPPRESSOR - SPLIT FERRITE
17	4214006	2	HARNESS INSULATION BLOCK
18	4214270	1	BACK RAIL SUPPORT-LEFT
19	4214271	1	BACK RAIL SUPPORT - RIGHT
20	4214768	1	HARNESS OPENING COVER
21	4215061	1	MODULE RETAINING BRACKET
22	4215279	1	MODULE POSITIONING WEDGE
23	4215799	1	AIR BAFFLE BACK
24	4215909	1	OPEN P-CLAMP
25	4216393	1	CONNECTION BOX
26	4217115	1	LEFT RAIL SUPPORT TOP
27	4217116	1	LEFT RAIL SUPPORT BOTTOM
28	4217917	1	RT FRONT RAIL MOUNT (HCT1)
29	4217918	1	RT FRONT RAIL MOUNT (HCT1)
30	4218080	1	AIR DUCT W/Damper Mounts
31	4218218	1	MODULE POSITIONING WEDGE
32	8361468	1	SPRING-BAR RETURN
33	8800952	2	10-32 HEX NUT W/ETW
34	4217063	2	HANDLE HOOK PLATE
35	4217120	4	SIDE PANEL SHIM PLATE
36	4217698	1	SWITCH ACTIVATOR
37	4215060	1	MODULE FRONT HOLD DOWN
38	4215383	2	10-24 NUT INSERT
39	4214140	1	BOTTOM HINGE PLATE
40	4214821.002	1	BOTTOM HINGE COVER
41	4214306	3	TOP HINGE SHIM
42	8810013	4	5/16-18x1 CARR. BOLT
43	8810015	8	5/16-18 FLANGE LK NUT
44	1217694	1	POWER BOX ASSY
45	4218643	1	CABINET GASKET
46	4217384	1	CONNECTION BOX FILLER
47	4218114	1	AIR FILTER (12 x 25 x 1)
48	7250135.01	1	HOLE PLUG, BP-1 1/4"
49	4217633	2	SIDE ANTI-CHEAT
50	4216012	1	LEFT LEG HINGE COVER
51	4217124	1	AIR DEFLECTOR
52	1216660	1	TOP HINGE WELD ASSEMBLY
53	1216861	1	CONDENSER FAN ASSY
54	4212490.002	1	RFI FILTER IEC SOCKET 10AMP
55	4218608	2	10-24 X 5/8 PHIL PH SEM Z
56	8801041	2	#10 EXT. SHAKE PROOF LOCKWASHER

LIST OF PARTS NOT SHOWN

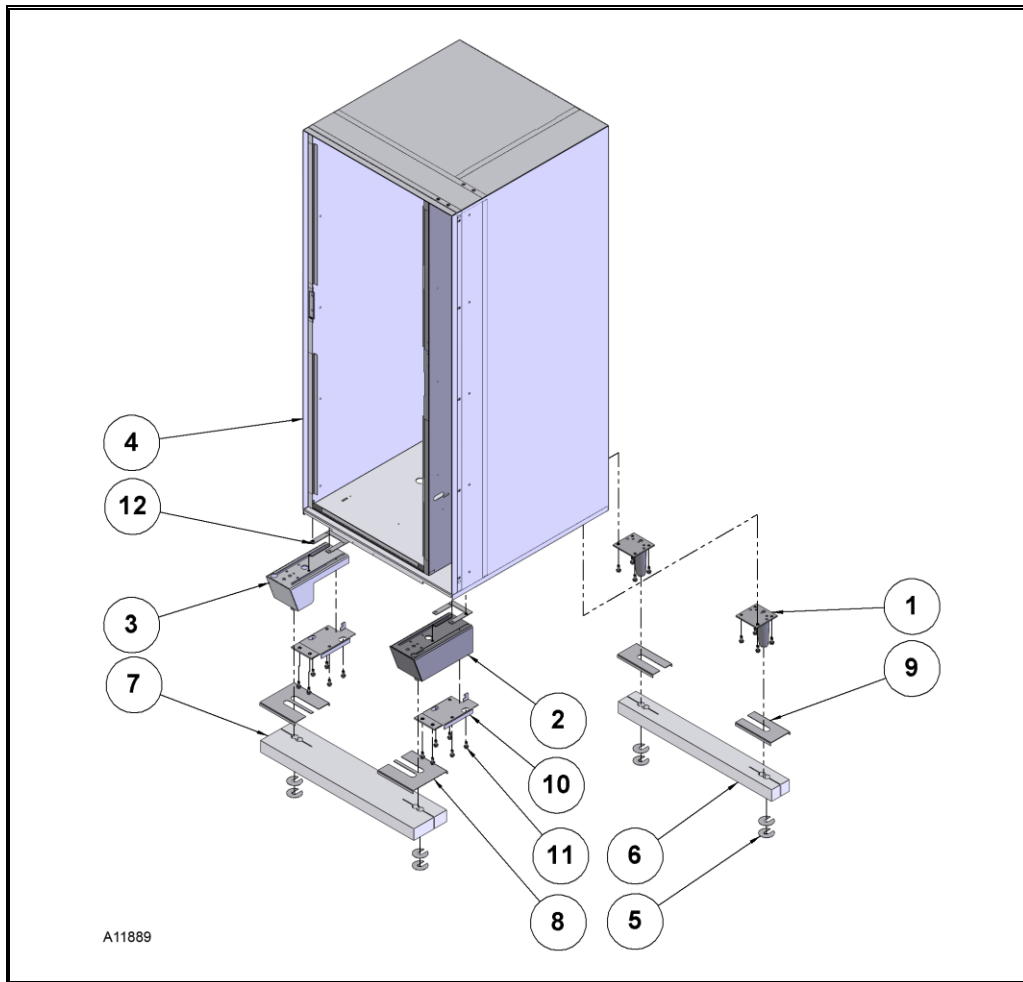
57	4213784	1	PUSH BUTTON WIRE TIE
58	4217293	1	TEMP SENSOR HARNESS
59	4217294	1	CABINET CONTROL HARNESS
60	4217298	1	HEATED GLASS POWER HARNESS

AR – As required

ITEM NO.	PART NUMBER	QTY	DESCRIPTION
61	4214684	1	TEMP SENSOR ASSY
62	4217521	1	UPPER BLOWER & HEATER HARNESS
63	4218519	1	POWER HARNESS
64	4218520	1	HEATER WIRE JUNCTION CONN
65	4217919	1	MOTOR MATRIX/CABINET HARNESS
66	4213759	1	POWER CORD

AR – As required

CABINET SUB ASSEMBLY

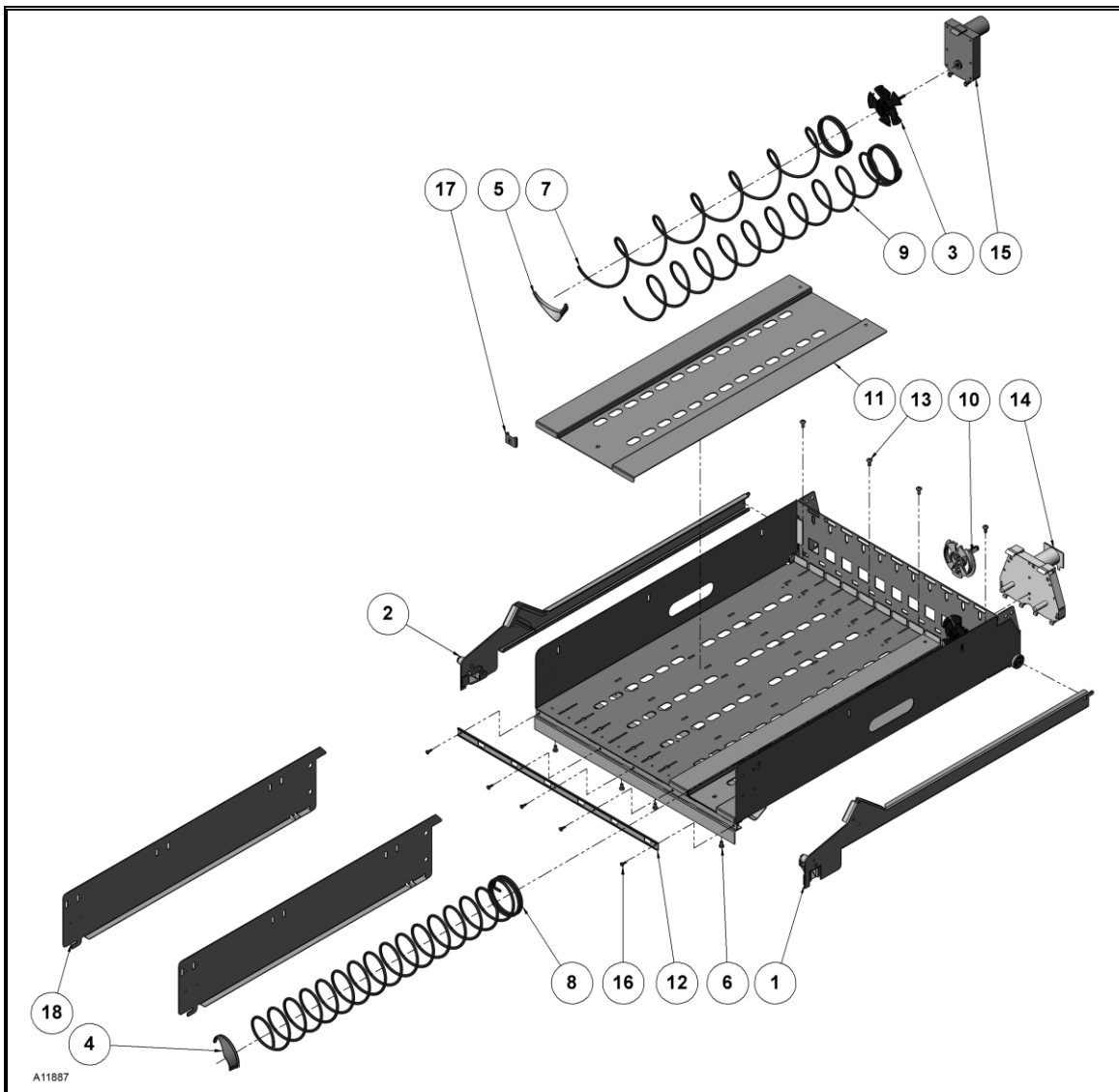


CABINET SUB ASSEMBLY PARTS LIST

ITEM NO.	PART NUMBER	QTY.	DESCRIPTION
1	1214704.001	2	LEG ASSEMBLY
2	1216649	1	LEG EXTENSION ASSEMBLY
3	1216649.001	1	LEG EXTENSION ASSEMBLY
4	1217620	1	CABINET WELD (3W)
5	4009927	8	LEG LEVELER WASHER
6	4215079.003	1	SKID BOARD
7	4215364.003	1	SKID BOARD
8	4215891	2	FRONT SKID RETAINER
9	4215892	2	REAR SKID RETAINER
10	4217499	2	LEG BRACE
11	8801388	20	5/16-18 x 3/4 HWH TYPE-1
12	4214155	2	LEG FASTENING PLATE

AR – As required

MZF TRAY ASSEMBLY



MZF TRAY ASSEMBLY PARTS LIST

ITEM NO.	PART NUMBER	QTY	DESCRIPTION
1	1215925	6	RAIL ASSY LONG RIGHT
2	1215925.001	6	RAIL ASSY LONG RIGHT
3	1217805	6	TRAY ASSEMBLY-3W
4	4025748	AR	PRODUCT EJECTORS-CCW-BLACK
5	4025748.002	AR	PRODUCT EJECTOR-CW-BLACK
6	4050423.001	24	8-18 x 1/2 PHIL PH TY-A
7	4200272.106	AR	AUGER - PRODUCT
8	4200272.100	AR	AUGER - PRODUCT
9	4200272.131	AR	AUGER - PRODUCT
10	4216378	1	SPIRAL ADAPTER
11	4217504	1	DUAL HELIX RETAINER

AR – As required

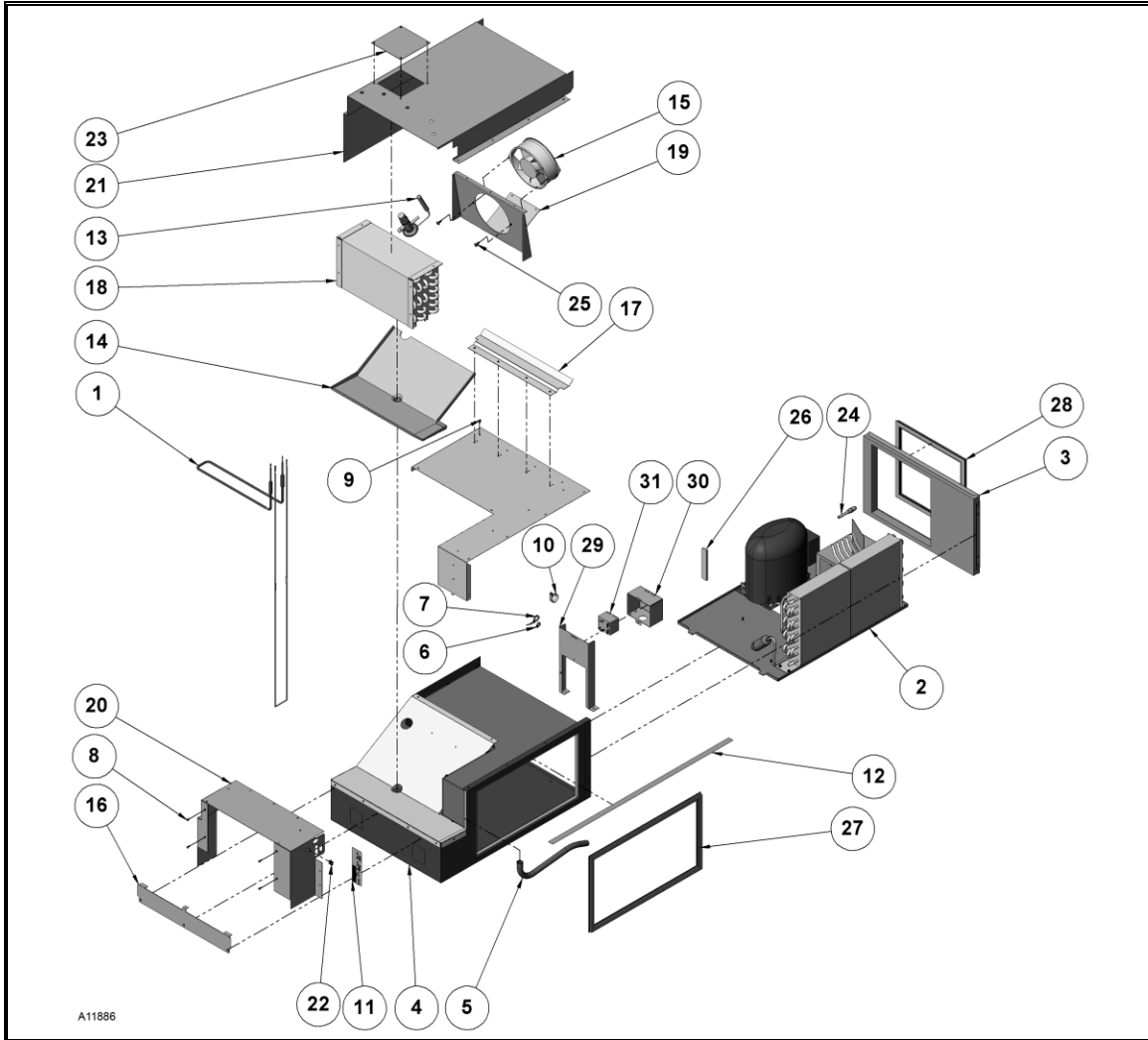
ITEM NO.	PART NUMBER	QTY	DESCRIPTION
12	4217748	6	LABEL HOLDER
13	8800638	AR	10-16 x 3/8 PHL PH TYPE
14	4210392.002	4	DUAL HELIX MOTOR
15	4212380	1	24 VDC MOTOR - SPLINE
16	4215561.019	30	SNAP RIVET/BLACK 1/8
17	4217475.003	AR	PRICE SCROLL
18	4209261.001	AR	TRAY DIVIDER

LIST OF PARTS NOT SHOWN

19	4060638	AR	PLASTIC BAG- KEYS
20	4217483	AR	SELECTION IDENTIFICATION SHEET
21	4214343	AR	TRAY HARNESS 3W

AR – As required

REFERIGERATION MODULE ASSEMBLY



REFERIGERATION MODULE ASSEMBLY PARTS LIST

ITEM NO.	PART NUMBER	QTY	DESCRIPTION
1	1217673	1	EVAPORATOR HEATER
2	1217702	1	REFER BASE ASSEMBLY
3	1218016	1	REFER BACK COVER ASSY
4	1218108	1	MODULE-FOAMED
5	4025410.5	AR	MAYON TUBING GRAY
6	4033704	5	CABLE TIE 5.6
7	4033712	4	CABLE TIE 7 3/8
8	4050180	18	8-18 x 1/2 PHIL PH
9	4050420	20	8-18 x 1/4 PHIL HWH TY
10	4060134	1	PLASTIC WIRE CLAMP 1"
11	4205507.33	1	REFER LABEL
12	4208565	AR	3/4" DOUBLE FACED TAPE
13	4211911	1	EXPANSION VALVE
14	4214818	1	EVAPORATOR DRAIN PAN
15	4214996	1	FAN/MOTOR

AR – As required

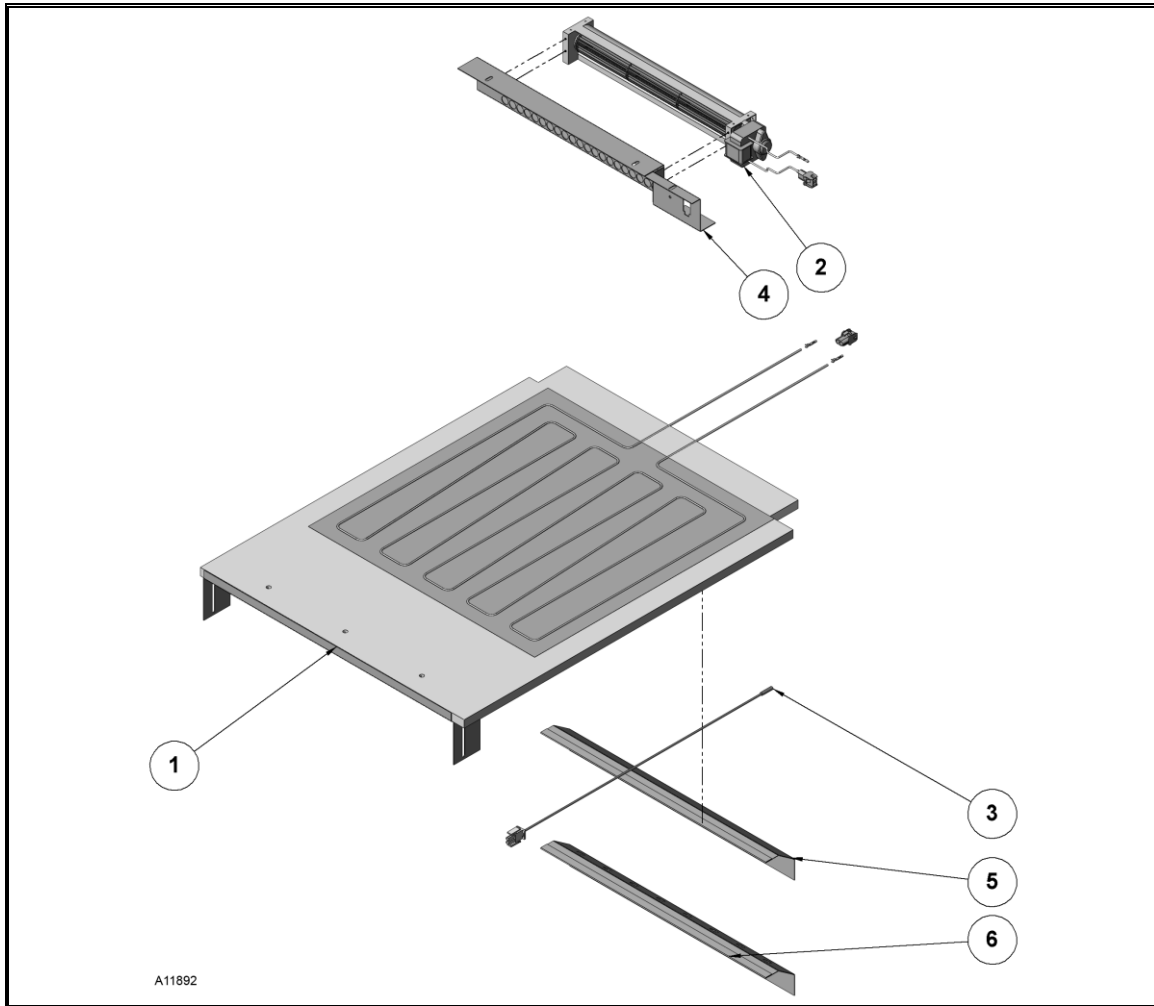
16	4215113	1	EVAP DRAIN PAN HOLDER
17	4215798	1	AIR BAFFLE FRONT
18	4217081	1	EVAPORATOR
19	4217300	1	FAN MOUNT
20	4217301	1	EVAPORATOR MOUNT
21	4217302	1	EVAPORATOR AIR DUCT
22	4217545	1	1/8" DIAMETER STRAIN RELIEF
23	4218442	1	COVER EXPANSION VALVE
24	4218564	1	SCHRADER VALVE
25	8800833	2	10-24 x 1/2 PHIL TH W/ETW
26	4202255	AR	GASKET 1/4 x3/4 W/ADHESIVE
27	4218654.001	1	REFER MODULE GASKET
28	4218654	1	REFER MODULE GASKET
29	4218854	1	RELAY ENCLOSURE
30	4218855	1	RELAY COVER MOUNT
31	4215329	1	RELAY

LIST OF PARTS NOT SHOWN

32	R.3994	AR	SEAL-MASTIC PERMAGUM
33	4201709	AR	SOLDER-SAFE SILVER 15%
34	4206366.005	1	INSUL TUBING
35	4212628	1 LB	404a FREON (SUVA HP62)
36	4212649.002	1	ALUMINUM TAPE
37	4212649.002	1	ALUMINUM TAPE
38	4212656	1	5/8 ID INSULATION TUBING
39	4213044	1	SIGHT GLASS REFER
40	4214684	1	TEMP SENSOR ASSY
41	4215209	1	JUMPER WIRES
42	4218501	1	REFER SYSTEM HARNESS
43	4214683	1	U - CLIP
44	7332492	1	DECAL WARNING WARRANTY
45	4215328	1	START CAPACITOR
46	4215416	1	THERMAL OVERLOAD

AR – As required

MZF INSTALL ASSEMBLY



MZF INSTALL ASSEMBLY PARTS LIST

ITEM NO.	PART NUMBER	QTY	DESCRIPTION
1	1217723	1	INSULATION BARRIER
2	4214257	1	CROSS FLOW BLOWER
3	4214684	1	TEMP SENSOR ASSY
4	4216175	1	UPPER BLOWER MOUNT
5	4217124	1	AIR DEFLECTOR
6	4217124.001	1	AIR DEFLECTOR

LIST OF PARTS NOT SHOWN

7	4217521	1	UPPER BLOWER & HEATER HARNESS
8	4217526	1	COLD/FROZEN FOOD IDENTIFICATION
9	4217554	1	DECAL MZF DIVIDER
10	4217269	1	TRAY SUPPORT SHIM PLATE
11	4217271	1	TRAY GAP CURTAIN

AR – As required

NOTES

The contents of this publication are presented for informational purposes only, and while every effort has been made to ensure their accuracy, they are not to be construed as warranties or guarantees, express or implied, regarding the products or services described herein or their use or applicability. We reserve the right to modify or improve the designs or specifications of such products at any time without notice.

VendNet™
165 North 10th Street
Waukee, Iowa 50263
United States of America



	USA & Canada		International
	Service	(800) 833-4411	(515) 274-3641
Parts	(888) 259-9965		
Email	vendnet@vendnetusa.com		
Web Site	www.vendnetusa.com		