

MODEL - 3548 PARTS MANUAL



A11846

TABLE OF CONTENTS

FINAL ASSEMBLY	1
<i>FINAL ASSEMBLY PARTS LIST</i>	<i>2</i>
DOOR ASSEMBLY	3
<i>DOOR ASSEMBLY PARTS LIST</i>	<i>6</i>
CABINET ASSEMBLY.....	8
<i>CABINET ASSEMBLY PARTS LIST</i>	<i>9</i>
INNER DOOR ASSEMBLY.....	10
<i>INNER DOOR ASSEMBLY PARTS LIST</i>	<i>10</i>
TRAY ASSEMBLY (SNACK).....	11
<i>TRAY ASSEMBLY PARTS LIST (SNACK).....</i>	<i>12</i>
HIGH CAPACITY CAN TRAY ASSEMBLY	13
<i>HIGH CAPACITY CAN TRAY ASSEMBLY PARTS LIST</i>	<i>13</i>
CAN BOTTLE TRAY ASSEMBLY.....	14
<i>CAN BOTTLE TRAY ASSEMBLY PARTS LIST</i>	<i>14</i>
POWER BOX ASSEMBLY	15
<i>POWER BOX ASSEMBLY PARTS LIST</i>	<i>15</i>
REFERIGERATION ASSEMBLY	16
<i>REFERIGERATION ASSEMBLY PARTS LIST</i>	<i>17</i>

NOTICE

The purpose of this manual is to give our customers a way of identifying major service parts for repair and replacement. The illustrations and parts list in this manual are for identification only. Some optional parts are also shown. It is our intent to assist our customers with up-to-date documentation. However, this manual may not show all parts, variations or changes. This manual is itself subject to change without notice. If any errors are found, please notify us immediately so corrections can be made.

All information provided is proprietary and should not be distributed without prior consent.

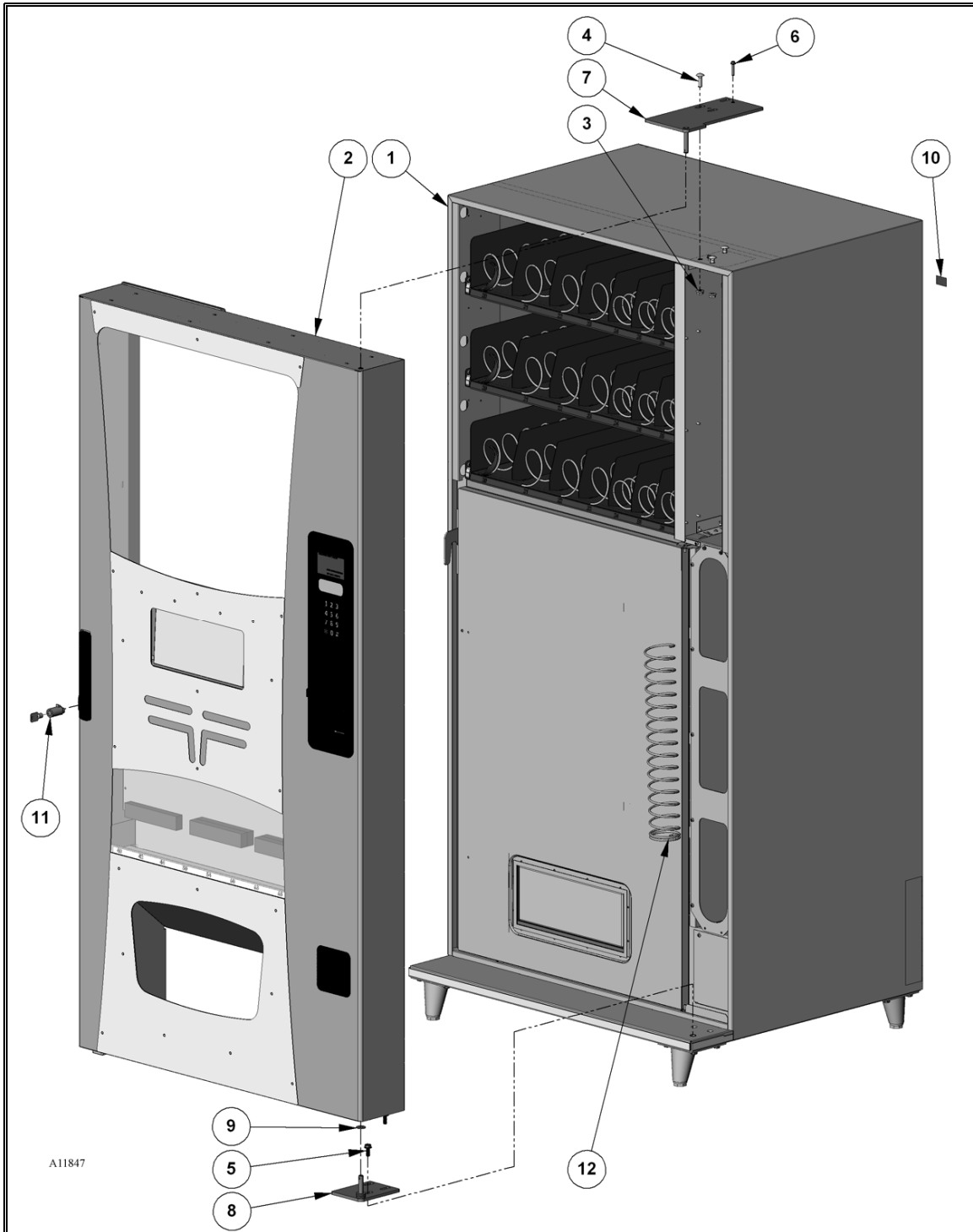
This manual contains information for this vendor as currently manufactured. This manual is not intended for older models. Older revisions of this manual should be kept with the respective vendor. Some parts may be shown out of scale. All measurements are in inches except where specified as Metric.

Items that require a finish (i.e. paint color or plating) will be identified with the suffix .xxx. When ordering parts with a .xxx suffix please identify the finish required.

Glossary of Terms

AR:	As required	Usually used to identify a quantity that may vary at application (i.e. qty of fasteners, length of foam tape, etc. ...)
GA:	Gauge	As in gauge of wire used (also referred to as AWG).
V:	Voltage	Voltage may vary by country. Specify country/application voltage when ordering parts.
AMP:	Amperage	Amperage or current rating of item.
Hz:	Hertz	Frequency or cycle of voltage. Specify country/application frequency (Hz) when ordering parts.

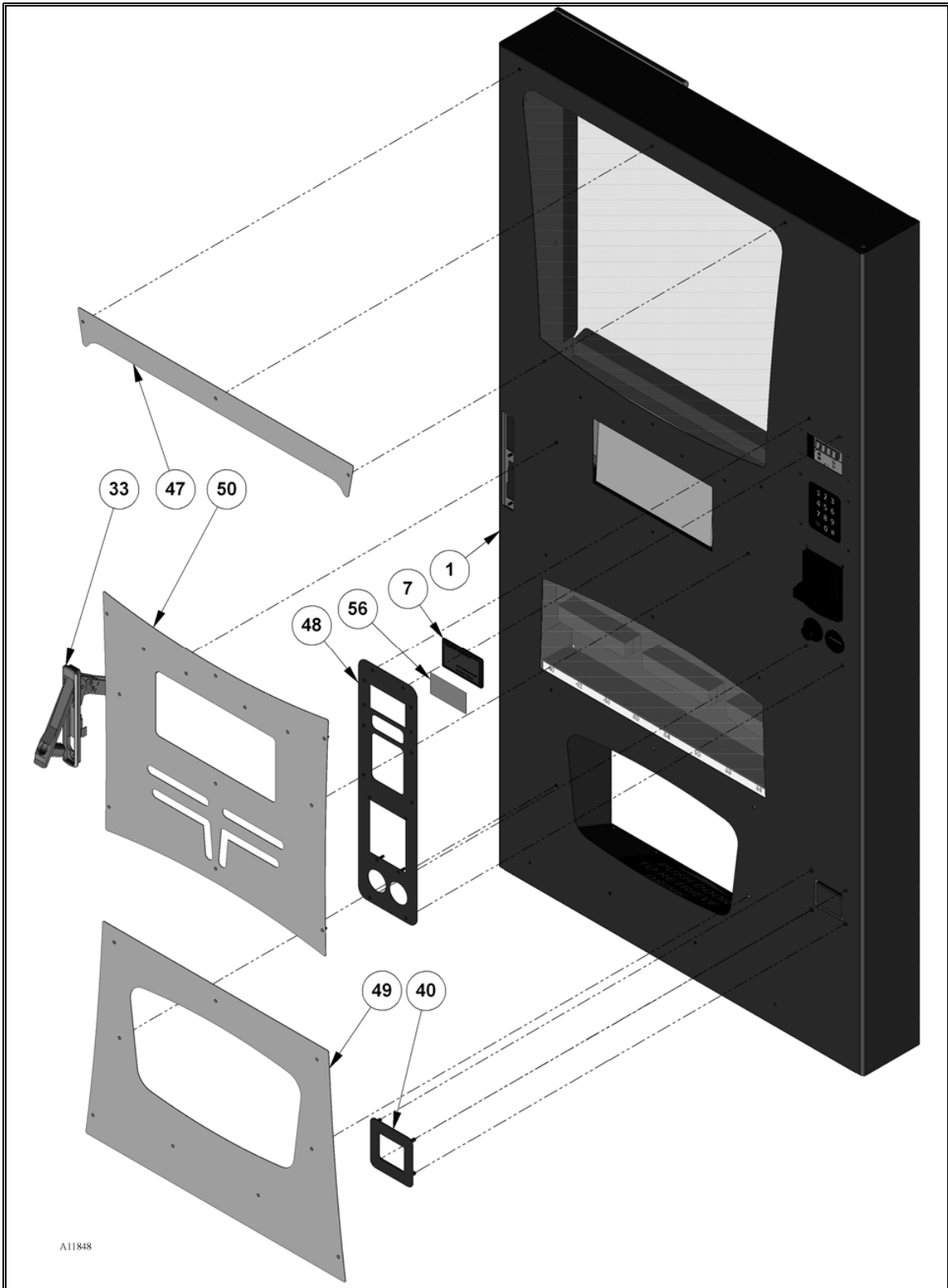
FINAL ASSEMBLY

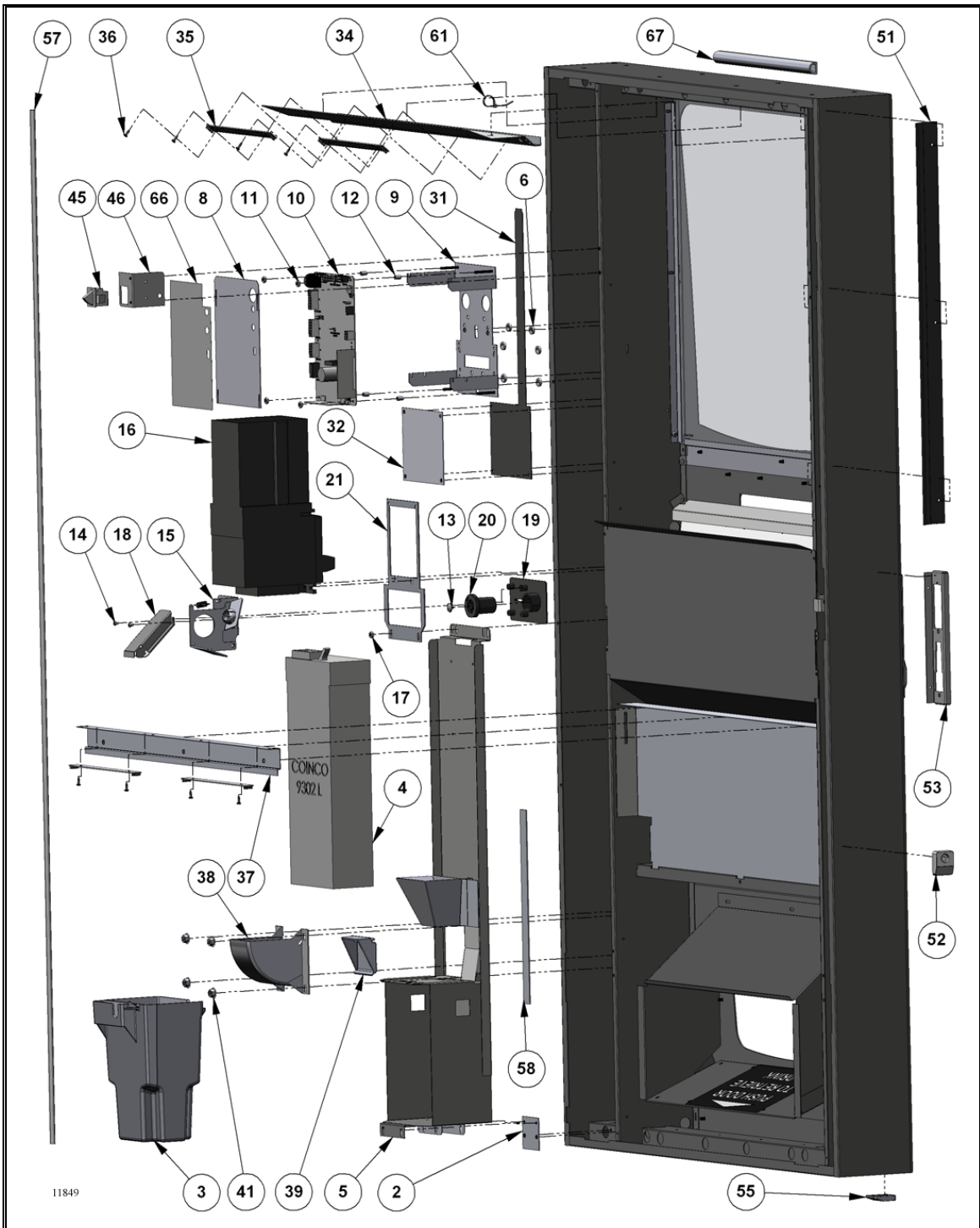


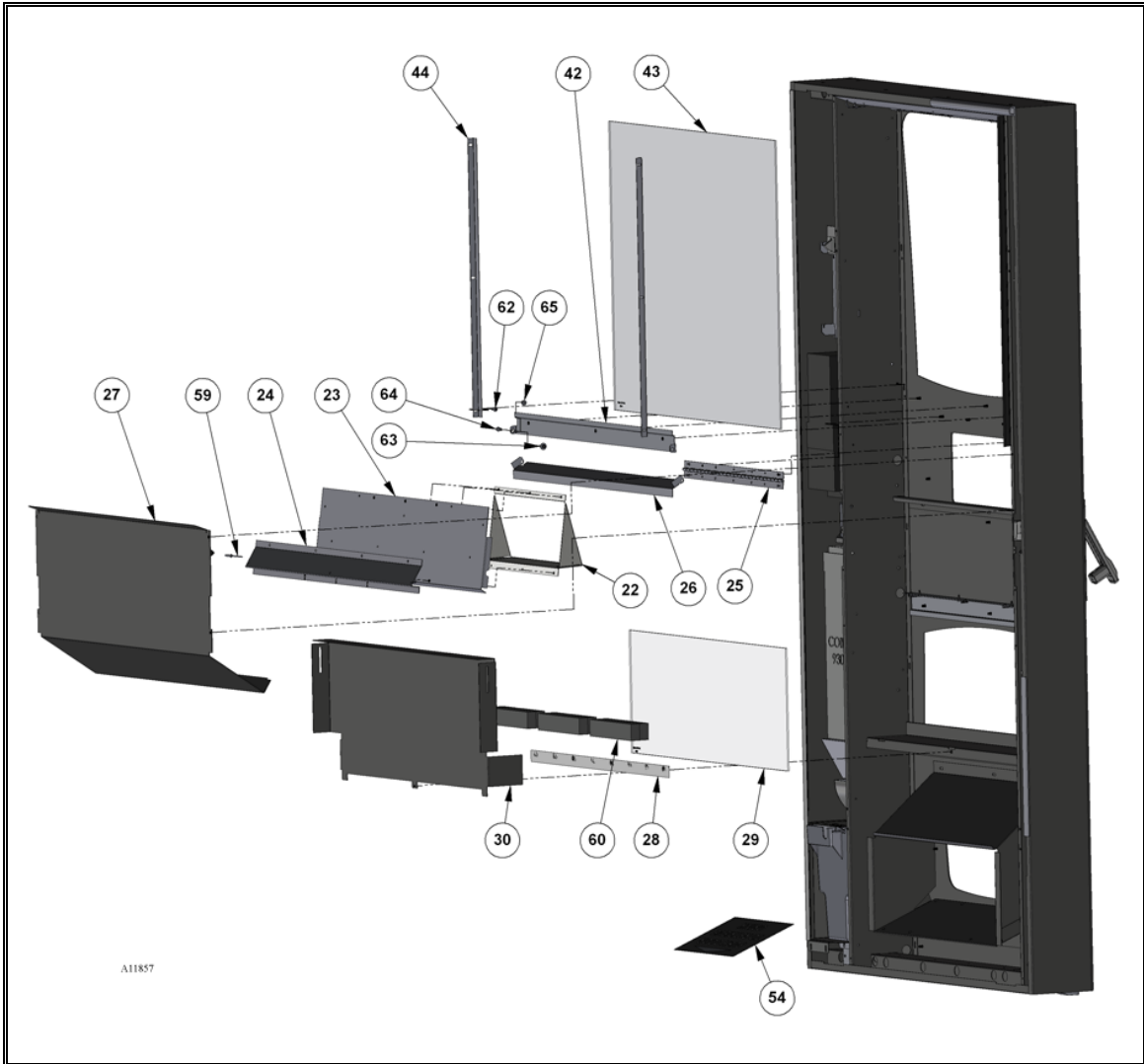
FINAL ASSEMBLY PARTS LIST

ITEM NO.	PART NUMBER	QTY	DESCRIPTION
1	SEE PAGE #7	1	CABINET ASSEMBLY
2	SEE PAGE #3	1	DOOR ASSEMBLY
3	8810015	3	5/16 – 18 FLANGE LOCK NUT
4	8810013	3	5/16 – 18 X 1 CARRIAGE BOLT
5	8801388	3	5/16 – 18X 3/4 HWH TYPE
6	4215175	2	12-18 X 1 HWH TEK
7	1217810.XXX	1	TOP HINGE ASSEMBLY
8	1217811.XXX	1	BOTTOM HINGE ASSEMBLY
9	4050767	7	3/8 FLAT WASHER-NYLON BLACK
10	4200032.000	1	LABEL – MADE IN U.S.A.
11	4060330	1	LOCK CYLINDER W/ 2 KEYS (OPTIONAL)
12	4211397.006309	1	SPIRAL – 24 CT CANDY (G & M SPIRAL OPTIONAL)

DOOR ASSEMBLY







DOOR ASSEMBLY PARTS LIST

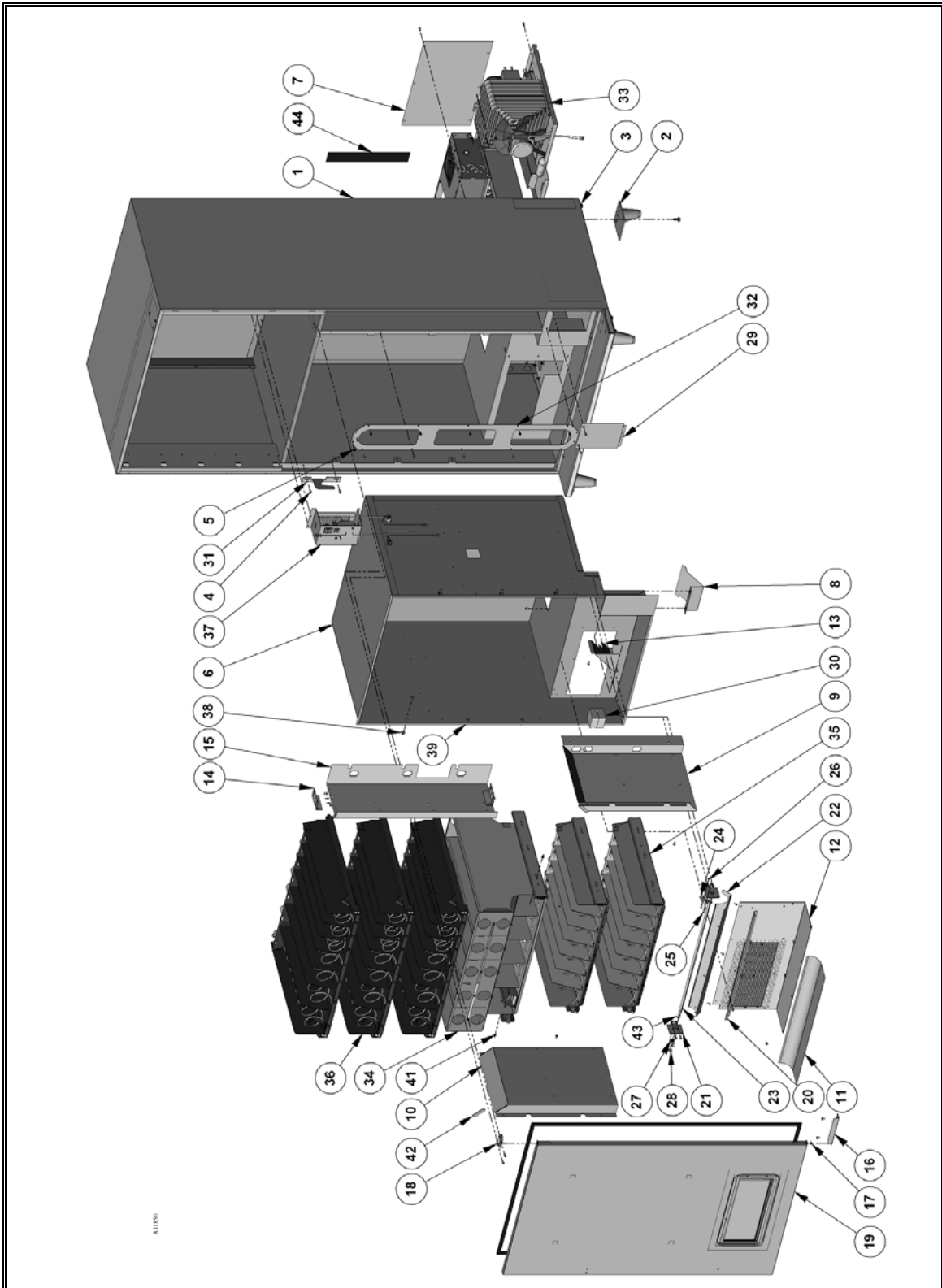
ITEM NO.	PART NUMBER	QTY	DESCRIPTION
1	1217815.XXX	1	DOOR WELD
2	4218096	1	MECH MOUNT BRACKET
3	4216287	1	COIN BOX
4	OPTIONAL	1	COIN MECHANISM
5	1216638.002330	1	MECH MOUNT WELD / BLACK
6	4201138	6	HINGE SPACER
7	4202841.020	1	READOUT WINDOW RED / ENGLISH
8	4216657	1	CONTROL BOARD COVER
9	4216656.001	1	DISPLAY MOUNT WITH STUD
10	4213952.001	1	GVC1/RED/2-WIRE/3-WIRE CN
11	4209866	4	6-32 NYLON NUT
12	4216687.375	8	TUBULAR SPACER 3/8"
13	4209188	1	SNAP PIN
14	4201942	2	6-20X3/16 PHL PH TY-B
15	1216187	1	COIN RETURN LEVER MECHANISM
16	OPTIONAL	1	BILL VALIDATOR
17	8800956	43	8-32 HEX NUT W/ETW
18	1217787	1	COIN CHUTE WELD
19	4203186.004	1	COIN INSERT BLACK 1 1/8
20	4203187	1	COIN RETURN BUTTON/BLACK
21	4210954	1	INSERT MOUNT/BLACK
22	4217804.001XXX	1	DELIVERY DOOR/WELDED
23	4217933	1	DELIVERY DOOR BACK
24	4217934	1	DELIVERY DOOR ANTI-CHEAT
25	4218180	1	CONTINUOUS HINGE
26	4218216	1	PRODUCT LIFTER
27	1217857	1	DELIVERY BOX WELD
28	4217823	1	BEVERAGE SELECTION LABEL
29	4217810	1	LIVE DISPLAY WINDOW
30	4217806	1	LIVE DISPLAY DOOR
31	4217775	1	KEYPAD
32	4217776	1	KEYPAD PLATE
33	4215971	1	DOOR HANDLE
34	4217937	1	TOP WINDOW RETAINER
35	4216544	4	LED LIGHT ENGINE
36	4215561.015	8	SNAP RIVET/BLACK 1/8
37	4217940	1	LIVE DISPLAY LED MOUNT
38	4203207	1	COIN CUP/BLACK
39	4203208	1	COIN CUP DOOR/BLACK
40	4203209	1	COIN CUP BEZEL/BLACK
41	4050747	4	1/4 STAMPED HEX NUT
42	4217938	1	BOTTOM WINDOW RETAINER
43	4217808	1	WINDOW
44	4217811	2	WINDOW RETAINER
45	4212621	1	SWITCH
46	4217588	1	DOOR SWITCH MOUNT
47	4218109.001XXX	1	HEADER STYLING PANEL
48	4217859.001XXX	1	SELECTOR PANEL
49	4217860.001XXX	1	BOTTOM STYLING PANEL
50	4217861.001XXX	1	MIDDLE STYLING PANEL

51	4217932.XXX	1	LEFT DOOR PARTITION
52	4025610	1	DOOR GLIDE
53	4218253.001	1	HANDLE BRACE WITH STUDS
54	4218264	1	DELIVERY PORT DECAL
55	4025610.001	1	DOOR GLIDE (1/2)
56	4218265	1	SELECTION INSTRUCTIONS
57	4215365	17 FT	D GASKET
58	4217577.003	8 FT	.062 X .750 FOAM TAPE
59	4050663	12	1/8X .250 POP RIVET
60	4212650.001	6	3/4 X 1.25 EPDM FOAM TAPE
61	4033704	1	CABLE TIE
62	4050423.001	24	8-18X3/8 SM SCREW - BLACK
63	4030100	2	BUSHING-SPACER
64	4050240	3	8-32X3/8 PHIL PH MS
65	4050511	2	8-32 NUT-TWO WAY LOCK
66	4216031.002	1	SERVICE MODE LABEL – GVC1
67	4213532	3 FT	GASKET (top)

LIST OF PARTS NOT SHOWN

68	4215471	1	MDB CABLE / GVC1
69	4216308	1	DOOR SWITCH HARNESS
70	4216693.011	4	20 GA WIRE/BLK-7.75"
71	4217813	1	LED LIGHT HARNESS
72	4216691	4	TAB WIRE ASSEMBLY - 6"

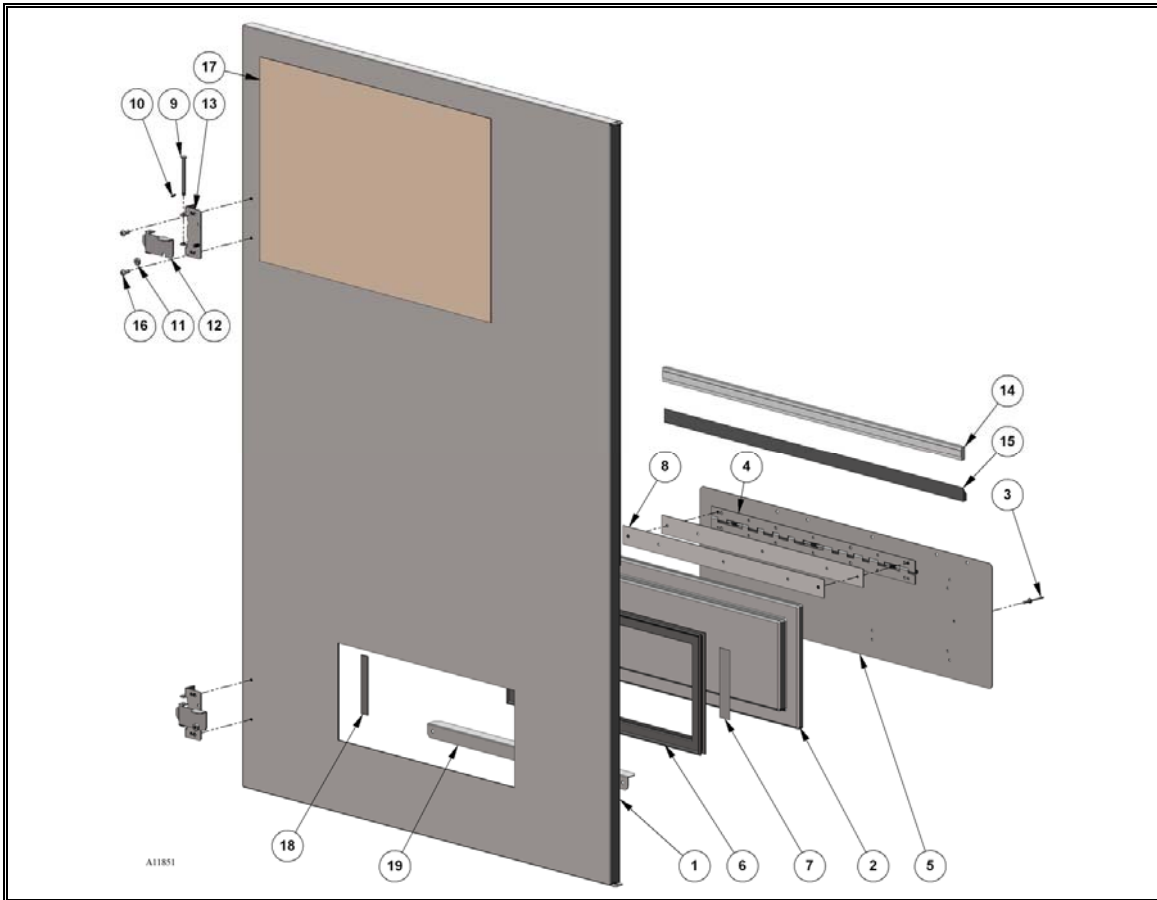
CABINET ASSEMBLY



CABINET ASSEMBLY PARTS LIST

ITEM NO.	PART NUMBER	QTY	DESCRIPTION
1	1217804.XXX	1	CABINET WELD
2	1214704.002	4	LEG ASSEMBLY (4")
3	8801388	16	5/16-18X3/4 HWH TYPE-
4	4050239	103	8-32X3/8 PHL PH TY-T
5	4050202.001	17	8-18X1/2 PHIL HWH TEK
6	1217833	1	LINER ASSEMBLY
7	4217968	1	EVAPORATOR BACK COVER
8	4218094	1	AIR DEFLECTOR
9	4217858	1	SLIDE MOUNT
10	4218276	1	LEFT SIDE PANEL
11	4218225	1	DEFLECTOR DELIVERY FLOOR
12	1217875	1	FALSE BOX WELD
13	4218095	1	PRODUCT DEFLECTOR
14	4216134	2	PARTITION ANGLE
15	4217841	1	RIGHT CABINET PARTITION
16	1217858	1	BTM INNER DOOR HINGE WELD
17	4203029	1	WASHER-INNER DOOR
18	1217837	1	INNER DOOR HINGE WELD
19	SEE PAGE 10	1	INNER DOOR ASSEMBLY
20	4218107	1	ANTI-CHEAT SENSOR
21	4218057	2	ROD RETAINER
22	4218056	1	SOLDOUT FLAPPER
23	4218407	1	SOLDOUT SENSOR SHAFT
24	4217128	1	SWITCH
25	8800027	2	4-40X5/8 PHIL PH MS
26	8800954	2	4-40 HEX NUT W/ETW
27	4025263.001	2	TYPE#5 NYLINER 5/16ID
28	8801080	2	E-RING, 5/16
29	4218108	1	FAN HOUSING COVER
30	4214006	1	HARNESS INSULATION BLOCK
31	4217969	1	DOOR LATCH HOOK
32	4218235	1	CABINET RIGHT STIFFENER
33	SEE PAGE# 16	1	REFRIGERATION ASSEMBLY
34	SEE PAGE# 13	1	HC TRAY ASSEMBLY
35	SEE PAGE# 14	2	TRAY ASSEMBLY / CAN-BOTTLE
36	SEE PAGE# 11	3	TRAY ASSEMBLY
37	SEE PAGE# 15	1	POWER BOX ASSEMBLY
38	4202188	6	SNAP IN PLASTIC SPR-1/8
39	7200468.001	6	10-12X1 PHIL TH TY-A
40	4217914	1	INNER DOOR GASKET
41	8800638	4	10-16X3/8 PHL PH TYPE
42	4025735.900	AR	TRIM-LOK BLACK
43	4218367	1	TORSION SPRING
44	4212649	AR	ALUMINUM TAPE – 2"
LIST OF PARTS NOT SHOWN			
45	4217814	1	MAIN HARNESS
46	INSULATION	AR	CALL FOR INFORMATION

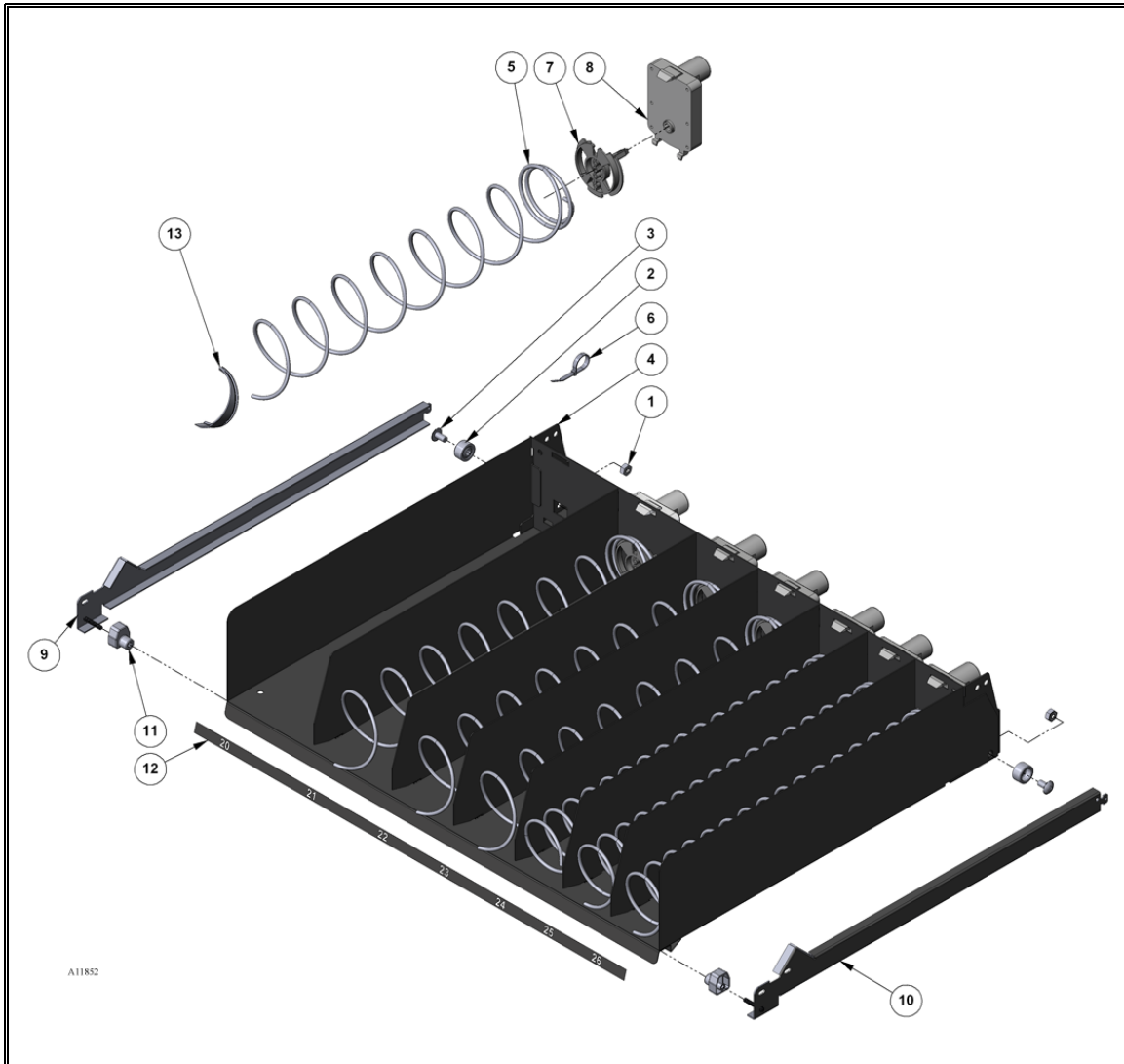
INNER DOOR ASSEMBLY



INNER DOOR ASSEMBLY PARTS LIST

ITEM NO.	PART NUMBER	QTY	DESCRIPTION
1	1217934	1	INNER DOOR FOAM ASSEMBLY
2	1217935	1	DELIVERY DOOR FOAM ASSEMBLY
3	4050667	15	1/8X .250 ALUM POP RIVET
4	4217822	1	CONTINUOUS HINGE
5	4217892	1	DELIVERY DOOR BACK
6	4217184.001	1	DELIVERY DOOR GASKET
7	4208565	3.5 FT	DOUBLE SIDED TAPE .750/RE
8	4218346	2	DELIVERY DOOR SPACER
9	4218369	2	LATCH PIN
10	4050631	2	COTTER PIN 3/32" X 1/2"
11	4050511	2	8-32 NUT-TWO WAY LOCK
12	4218362	2	INNER DOOR LATCH
13	4218363.001	2	INNER DOOR LATCH MOUNT WITH STUD
14	4202624.006	1	G&M SPACER W/TAPE, 22"
15	4211555	2 FT	BEVELED FOAM GASKET 3/4
16	4050239	18	8-32X3/8 PHL PH TY-T
17	4218262	1	INSTRUCTION LABEL
18	4209845	3.5 FT	FOAM TAPE
19	4218403	1	DELIVERY COVER BRACKET

TRAY ASSEMBLY (SNACK)



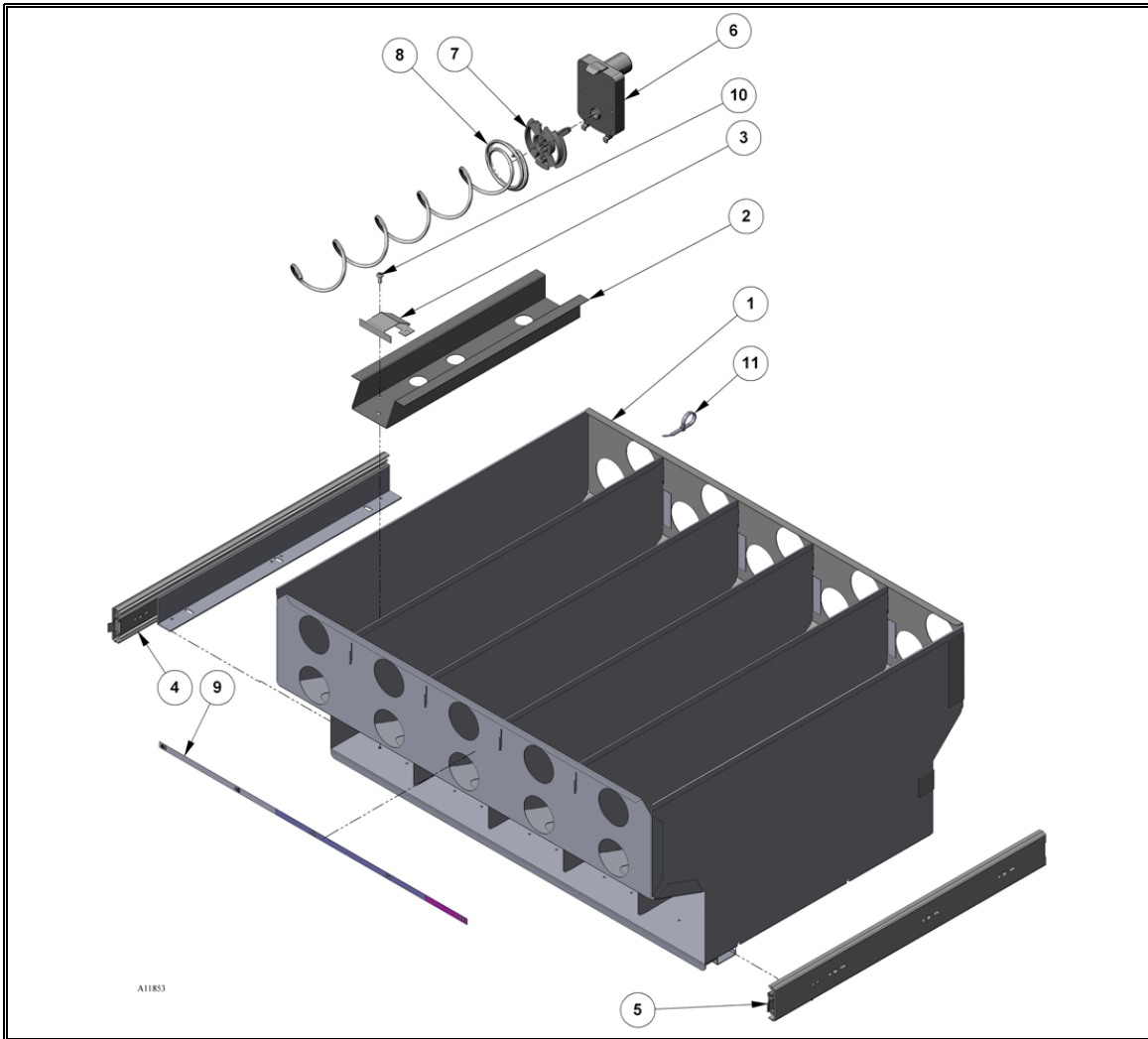
TRAY ASSEMBLY PARTS LIST (SNACK)

ITEM NO.	PART NUMBER	QTY	DESCRIPTION
1	4050496	AR	1/4-20 NUT,TWO WAY LOCK
2	4217738	AR	BUSHING
3	7200469.014	AR	1/4-20X1/2 PHIL RH MS
4	1217801.002330	1	TRAY WELD
5	4200272.119309	AR	SPIRAL – 8 CT CANDY (LG DIA)
	4200272.115309		SPIRAL – 9 CT CANDY (LG DIA)
	4200272.116309		SPIRAL – 13 CT CANDY (SM DIA)
	4211397.004309		SPIRAL – 15 CT CANDY (SM DIA)
6	4203509	AR	CABLE TIE
7	4216378	AR	SPIRAL ADAPTER
8	4216379.004	AR	MOTOR SNAP-IN 360 DEG
9	4217737.003	1	TRAY RAIL WITH STUDS (LEFT RAIL)
10	4217737.002	1	TRAY RAIL WITH STUDS (RIGHT RAIL)
11	4217739	AR	RAIL GLIDE
12	4217741.001	1	TRAY LABEL(10-16)
	4217741.002		TRAY LABEL(20-26)
	4217741.003		TRAY LABEL(30-36)
13	4025748	AR	PRODUCT EJEC-CCW-BLK

LIST OF PARTS NOT SHOWN

14	4203508.004	1	REPL-HA-TRAY HARNESS (4W)
----	-------------	---	---------------------------

HIGH CAPACITY CAN TRAY ASSEMBLY



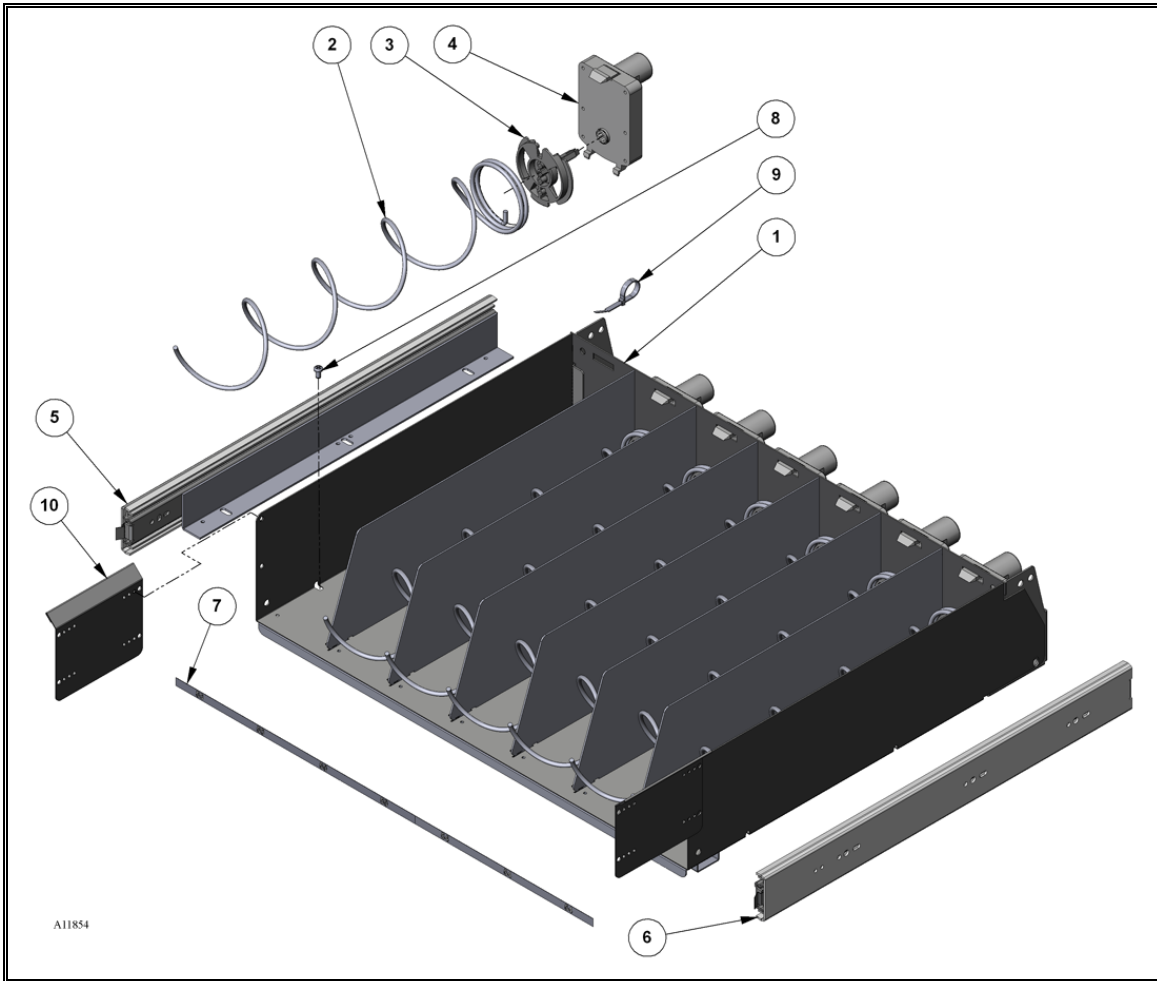
HIGH CAPACITY CAN TRAY ASSEMBLY PARTS LIST

ITEM NO.	PART NUMBER	QTY	DESCRIPTION
1	1217841.000330	1	HC TRAY WELD
2	4217850.000330	5	SPIRAL RETAINER
3	4214910.000330	5	SPIRAL LIFT
4	4216381	1	ROLLER SLIDE
5	4216381.001	1	ROLLER SLIDE
6	4216379.004	5	MOTOR SNAP-IN 360 DEG
7	4216378	5	SPIRAL ADAPTER
8	4217849.000309	AR	SPIRAL
9	4218200	1	HCT LABEL
10	4050239	24	8-32X3/8 PHL PH TY-T
11	4203509	1	CABLE TIE

LIST OF PARTS NOT SHOWN

12	4203508.003	1	REPL-HA-TRAY HARNESS (3W)
----	-------------	---	---------------------------

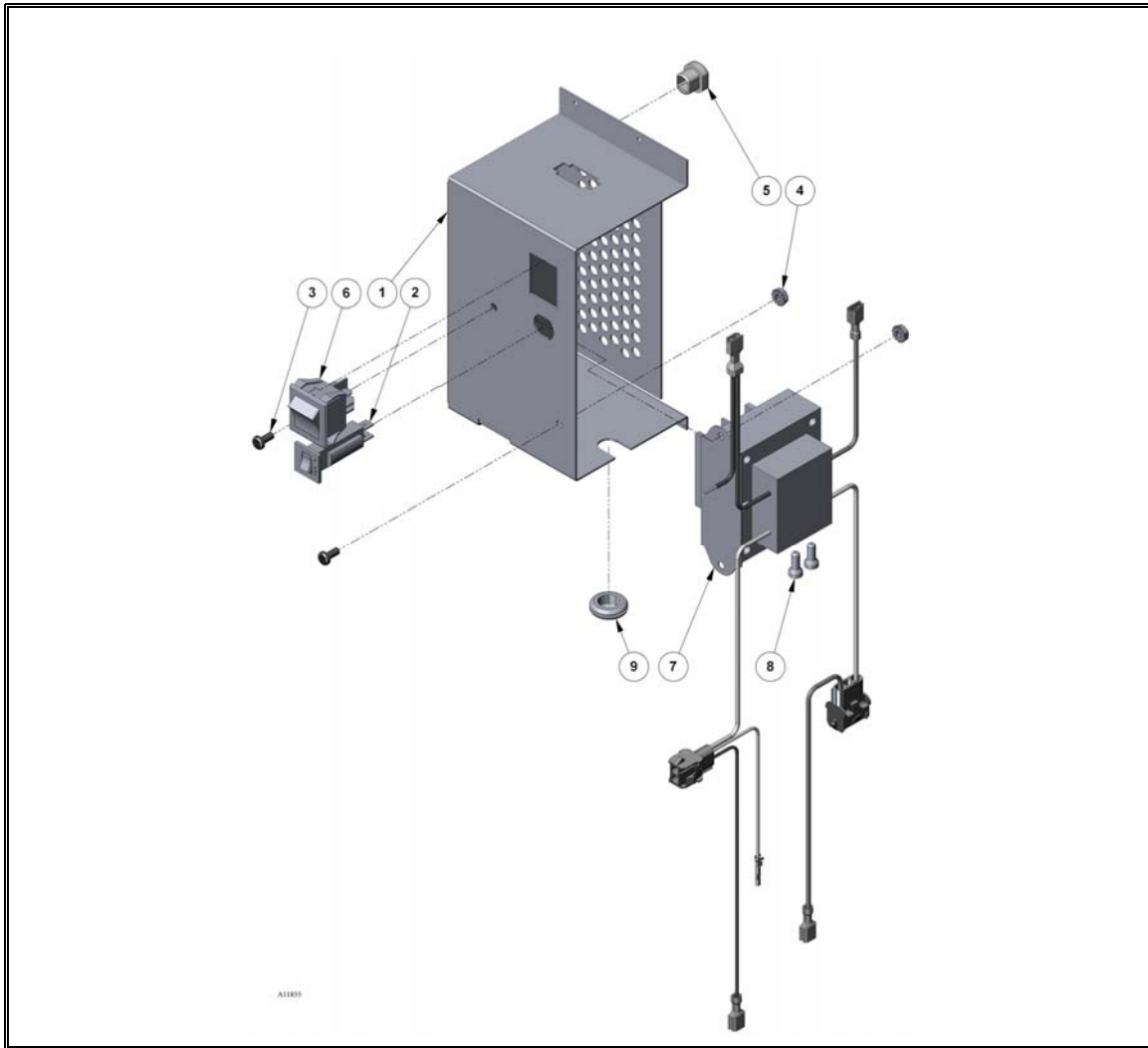
CAN BOTTLE TRAY ASSEMBLY



CAN BOTTLE TRAY ASSEMBLY PARTS LIST

ITEM NO.	PART NUMBER	QTY	DESCRIPTION
1	1217839.000330	AR	TRAY WELD
2	4217851.000309	AR	SPIRAL
3	4216378	AR	SPIRAL ADAPTER
4	4216379.004	AR	MOTOR SNAP-IN 360 DEG
5	4216381	AR	ROLLER SLIDE
6	4216381.001	AR	ROLLER SLIDE
7	4218199.001	1	BOTTLE TRAY LABEL(50-56)
	4218199.002		BOTTLE TRAY LABEL(60-66)
8	4050423	AR	8-18X3/8 PHIL PH TY-A
9	4203509	2	CABLE TIE
10	4218399	AR	TRAY PRODUCT DEFLECTOR

POWER BOX ASSEMBLY



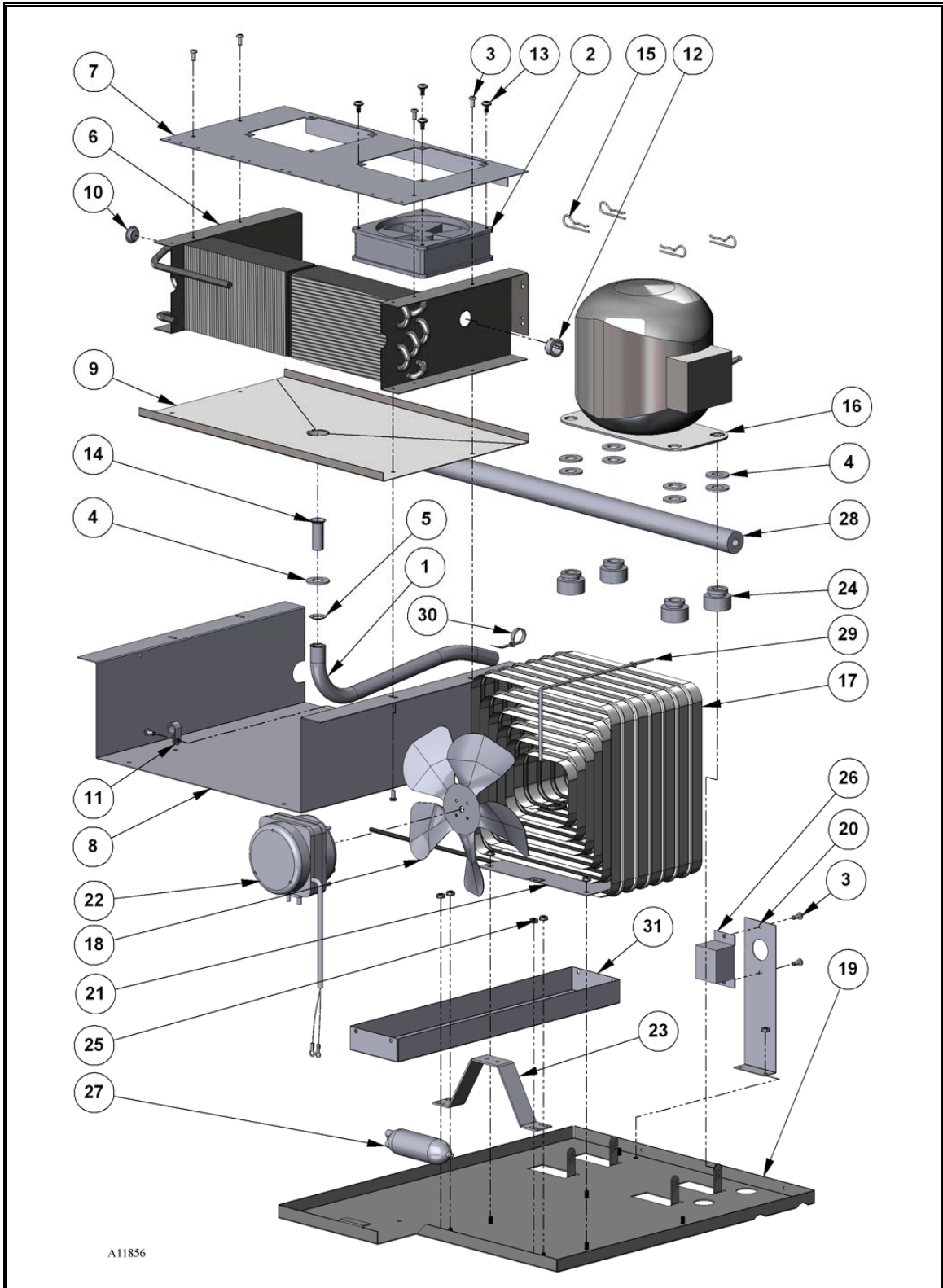
POWER BOX ASSEMBLY PARTS LIST

ITEM NO.	PART NUMBER	QTY	DESCRIPTION
1	4217730	1	POWER BOX
2	4203467.003	1	3 AMP CIRCUIT BREAKER
3	4050240	2	8-32X3/8 PHIL PH MS
4	8800956	2	8-32 HEX NUT WITH ETW
5	4033683	1	CORD STRAIN RELIEF BUSHING
6	4213627	1	SWITCH-DOUBLE POLE
7	4216297	1	TRANSFORMER 110V
8	4033505	2	CLOSED END SPLICE CAP #6
9	4217004	1	HOLE GROMMET

LIST OF PARTS NOT SHOWN

10	4217764	1	POWER CORD
11	4217881	1	REFRIGERATION POWER HARNESS

REFRIGERATION ASSEMBLY



REFRIGERATION ASSEMBLY PARTS LIST

ITEM NO.	PART NUMBER	QTY	DESCRIPTION
1	4025410.008	1	BEV TUBE-1/2ID X 28"
2	4034344.000	1	EVAPORATOR FAN (115V)
3	4050239	11	8-32X3/8 PHL PH TY-T
4	4050608	9	1/2 FLAT WASHER-ZINC
5	4202284	1	.500 STUD DIA PUSH NT
6	4206047.001	1	EVAPORATOR
7	4211878	1	EVAPORATOR COVER
8	4217890	1	EVAPORATOR MOUNT
9	4218303	1	EVAPORATOR DRAIN PAN
10	7250135.008	1	HOLE PLUG, BPF-5/8"
11	8324099.4	1	CLAMP - 3/8" X 3/8"
12	8359801.2	1	SNAP BUSHING-SPLIT
13	8800829	8	10-24X3/8 PHL TH W/ET
14	4218329	1	DRAIN TUBE
15	4050773.001	4	#17 HITCH PIN "CLOSED"
16	4217825	1	COMPRESSOR
17	4217827	1	CONDENSOR
18	4217829	1	FAN 200MM 5 BLADE 31 DEGREE
19	4217889	1	REFER BASE
20	4217967	1	THERMOSTAT CONTROL MOUNT
21	4217991	1	CONDENSOR HOLD DOWN
22	4218261	1	MOTOR-6 WATT CONDENSOR FAN
23	4218269	1	CONDENSER FAN BRACKET
24	8323090.1	4	GROMMET-COMPRESSOR
25	8800956	9	8-32 HEX NUT W/ETW
26	4202526	1	THERMOSTAT
27	4205468	1	DRIER-BONDED CORE.108
28	4206366.500	AR	INSULATION TUBING
29	4218328	1	CABLE TIE
30	4033712	2	CABLE TIE 7 3/8"
31	4218376	1	DRAIN PAN/WELDED

LIST OF PARTS NOT SHOWN

32	4215283	2	TERMINAL 1/4 IN PK100
33	4217815	1	REFRIGERATION HARNESS
34	4201709	AR	SOLDER-SAFE SIL 15%
35	4205470	AR	R-134A REFRIGERANT
36	4217899	1	SUCTION LINE
37	4217900	1	DISCHARGE LINE
38	4217901	1	LIQUID LINE
39	4217902	1	PROCESS TUBE
40	4217903	1	ACCUMULATOR
41	8902701.31	1	CAPILLARY TUBE

The contents of this publication are presented for informational purposes only, and while every effort has been made to ensure their accuracy, they are not to be construed as warranties or guarantees, express or implied, regarding the products or services described herein or their use or applicability. We reserve the right to modify or improve the designs or specifications of such products at any time without notice.



VendNet™
8040 University Blvd
Des Moines, IA 50325
United States of America



	USA & Canada	International
Service	(800) 833-4411	(515) 274-3641
Parts	(888) 259-9965	
Email	vendnet@vendnetusa.com	
Web Site	www.vendnetusa.com	