

ROUND FRONT SNACK

HR40/HR32/HR23 (GVC2)

MODEL: 3526/3510/3509

PARTS MANUAL



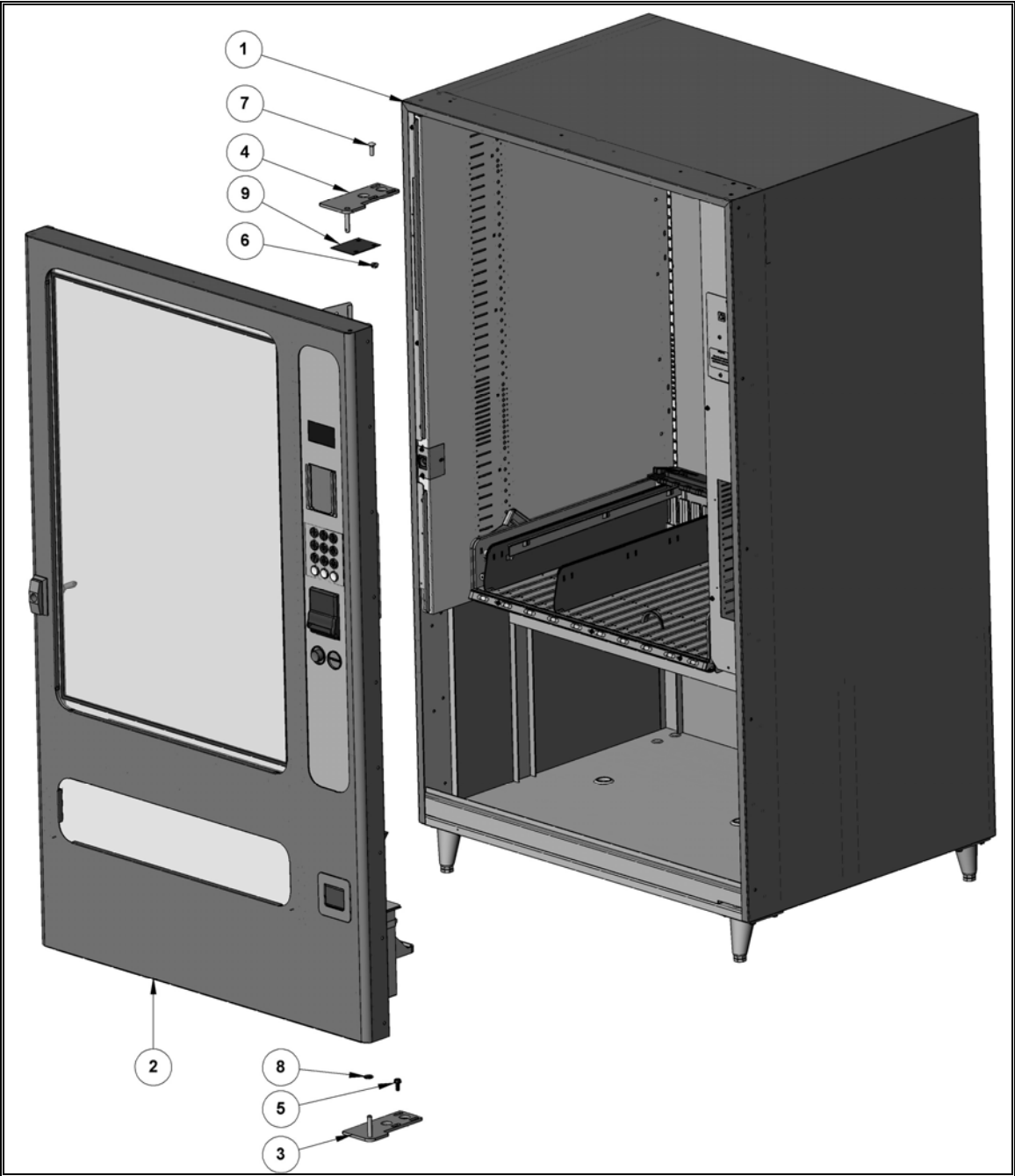
VendNet™

165 North 10th Street
Waukee, Iowa 50263-0488
United States of America

TABLE OF CONTENTS

FINAL ASSEMBLY	1
<i>FINAL ASSEMBLY PARTS LIST</i>	<i>2</i>
DOOR ASSEMBLY	3
<i>DOOR ASSEMBLY PARTS LIST</i>	<i>5</i>
CABINET ASSEMBLY	7
<i>CABINET ASSEMBLY PARTS LIST</i>	<i>8</i>
DELIVERY BOX ASSEMBLY	9
<i>DELIVERY BOX ASSEMBLY PARTS LIST</i>	<i>10</i>
LIGHT ASSEMBLY	12
<i>LIGHT ASSEMBLY PARTS LIST</i>	<i>12</i>
POWER PANEL ASSEMBLY	13
<i>POWER PANEL ASSEMBLY PARTS LIST</i>	<i>14</i>
5W PLASTIC TRAY ASSEMBLY	15
<i>5W- PLASTIC TRAY ASSEMBLY PARTS LIST (HR 40)</i>	<i>16</i>
4W & 3W PLASTIC TRAY ASSEMBLY	17
<i>4W & 3W PLASTIC TRAY ASSEMBLY PARTS LIST (HR 32 & HR 23)</i>	<i>18</i>
OPTIONAL SPIRALS	19
OPTIONAL PRICE SCROLLS.....	20

FINAL ASSEMBLY



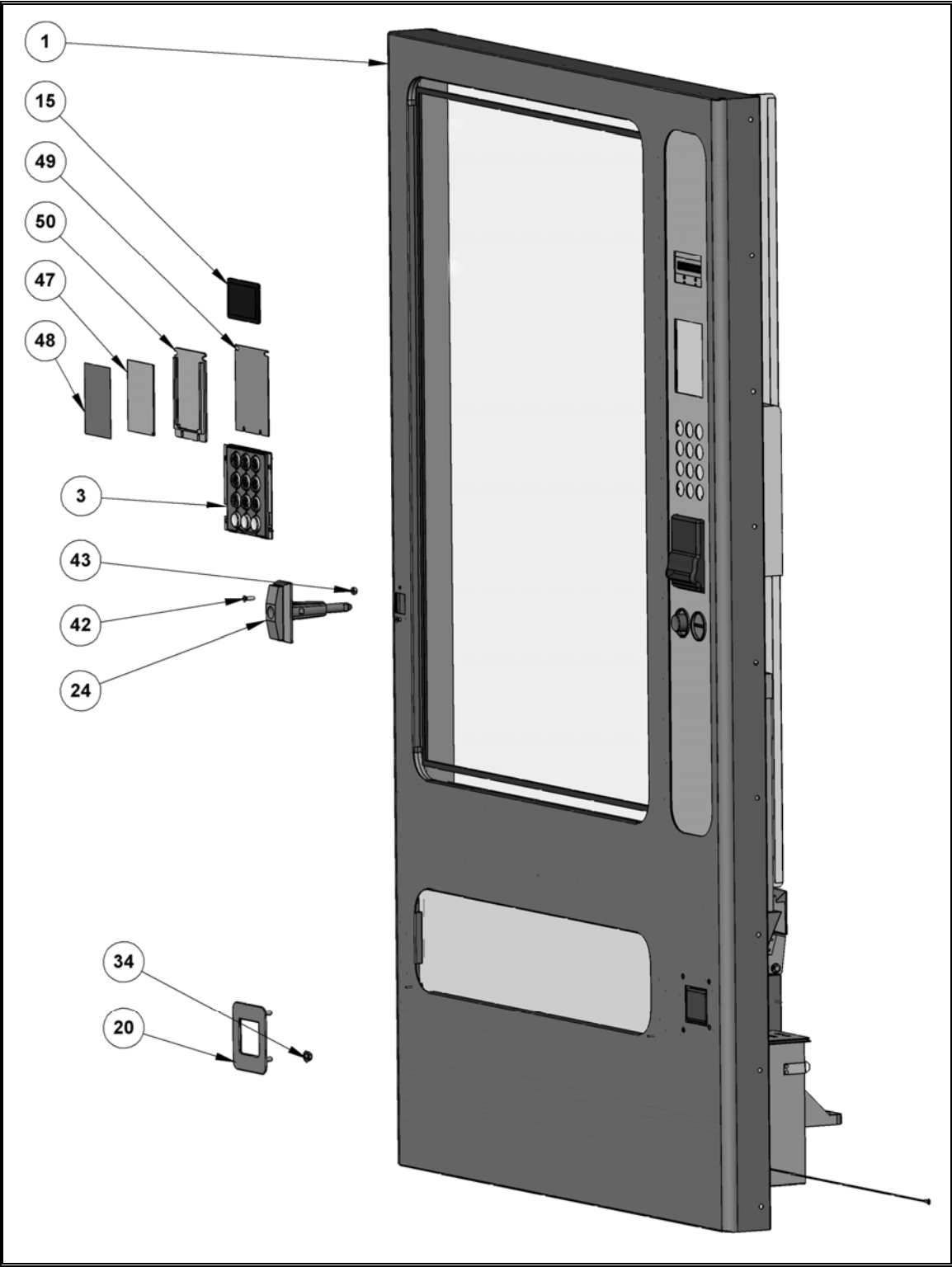
FINAL ASSEMBLY PARTS LIST

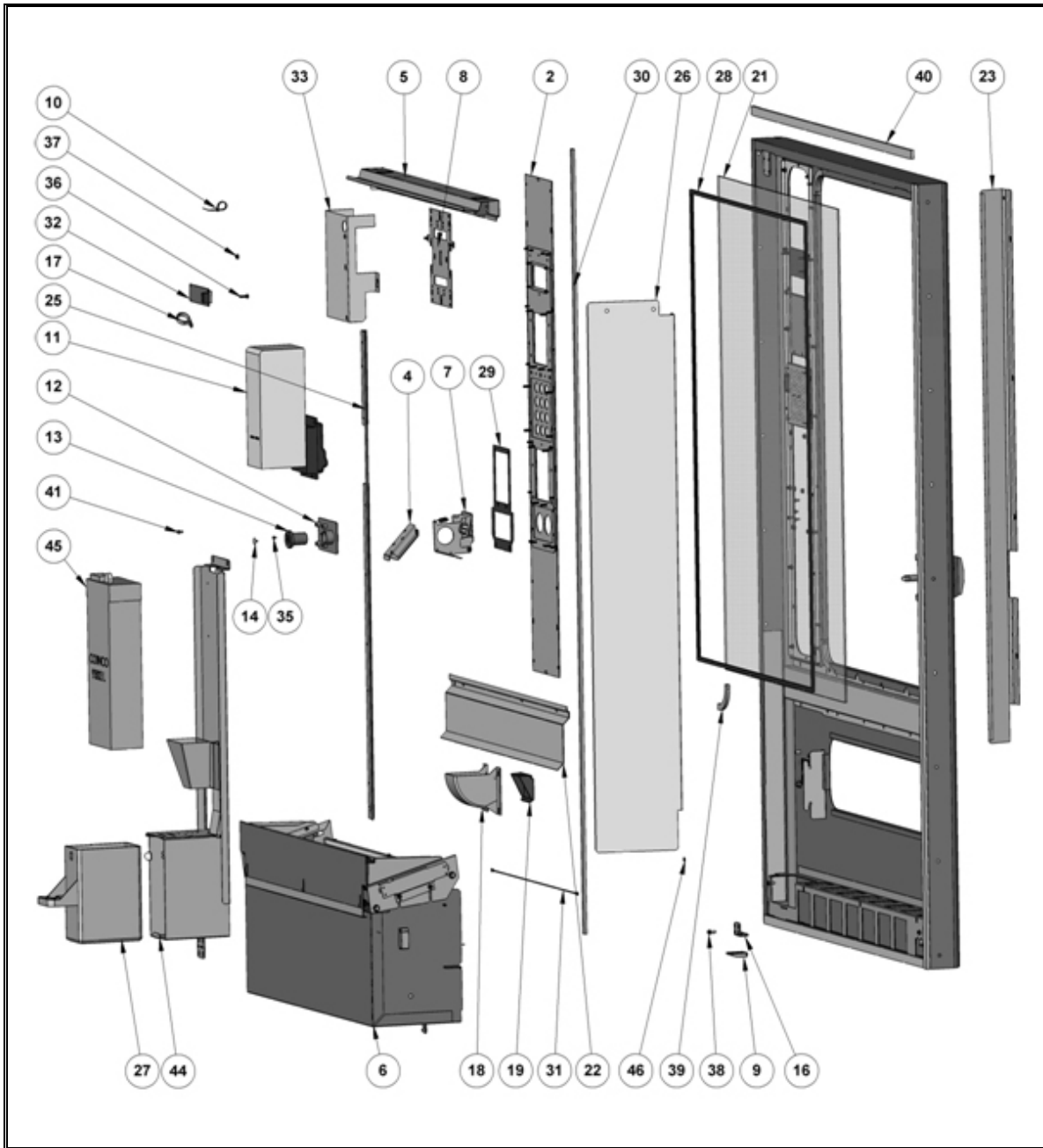
ITEM NO.	PART NUMBER	3W	4W	5W	DESCRIPTION
1	(SEE PAGE #7)	1	1	1	CABINET SUB ASSEMBLY
2	(SEE PAGE #3)	1	1	1	COMMON DOOR
3	1212060.001	1	1	1	HINGE STAKE LOWER
4	1212060.002	1	1	1	HINGE STAKE UPPER
5	8801388	3	3	3	5/16-18 x 3/4 HWH TYPE-1
6	8810015	3	3	3	5/16-18 FLANGE LK NUT
7	8810013	3	3	3	5/16-18x1 CARR. BOLT
8	4050767	1	1	1	3/8 FLAT WASHER NYLON
9	4213420	2	2	2	HINGE SHIN

(LIST OF THE PARTS NOT SHOWN)

10	4216016	1	1	1	GFCI POWER CORD
----	---------	---	---	---	-----------------

DOOR ASSEMBLY





DOOR ASSEMBLY PARTS LIST

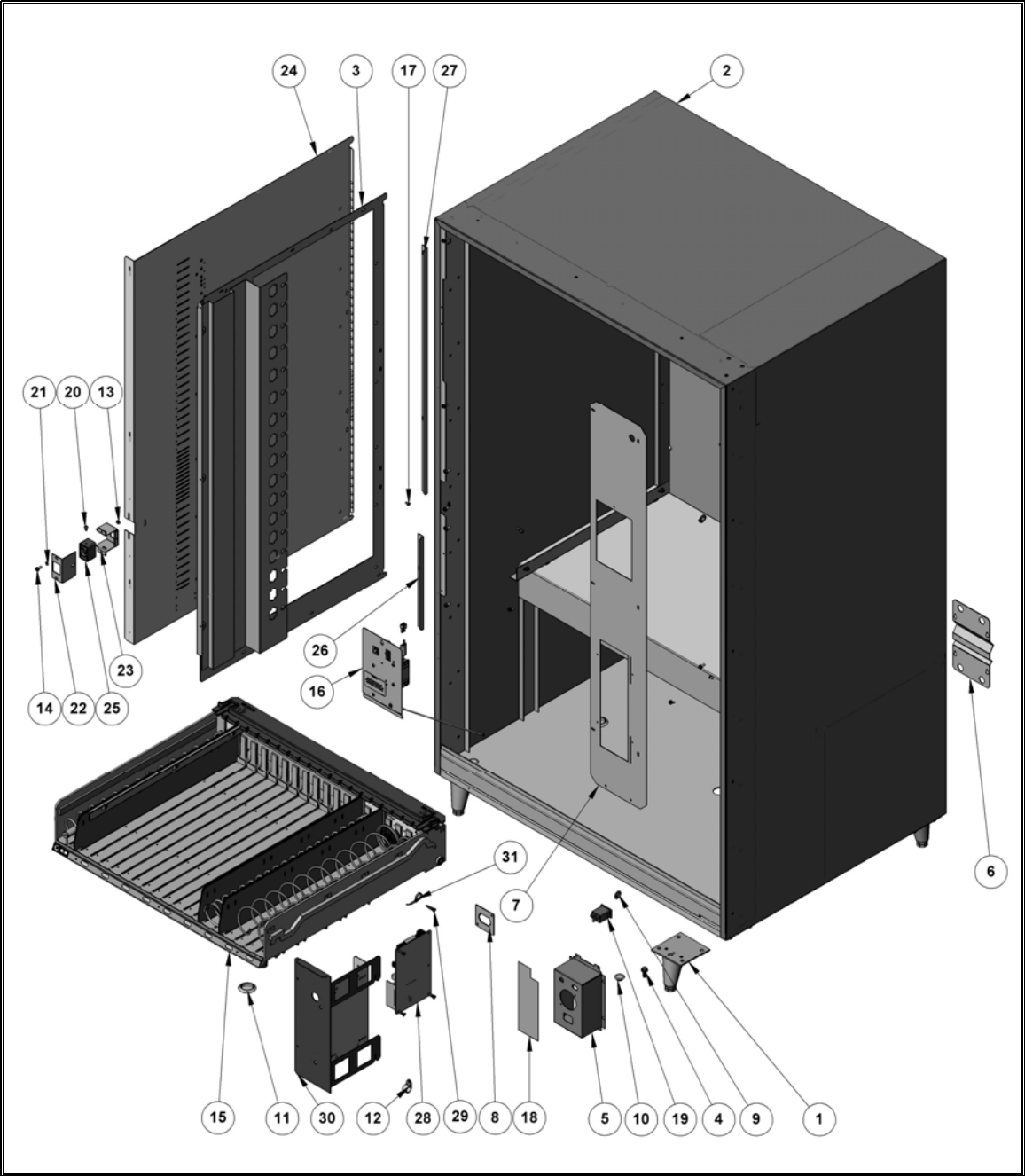
ITEM NO.	PART NUMBER	3W	4W	5W	DESCRIPTION
1	1216592.005	-	-	1	DOOR WELD
	1216592.004	-	1	-	
	1216592.003	1	-	-	
2	1216635	1	1	1	CONTROL PANEL WELD
3	1216670	1	1	1	KEY PAD ASSEMBLY
4	1212097	1	1	1	COIN CHUTE WELD
5	(SEE PAGE#12)	1	1	1	LIGHT ASSEMBLY
6	(SEE PAGE#9)	1	1	1	DELIVERY BOX
7	1216187	1	1	1	COIN RETURN LEVER MECHANISM
8	1217024	1	1	1	BOARD MOUNT STAKE
9	4025610	1	1	1	DOOR GLIDE
10	4033712	1	1	1	CABLE TIE 7 3/8"
11	OPTIONAL	1	1	1	BILL VALIDATOR
12	4203186.004	1	1	1	COIN INSERT BLACK 1 1/8
13	4203187	1	1	1	COIN RETURN BUTTON
14	4209188	1	1	1	SNAP PIN
15	4202841.009	1	1	1	READOUT WINDOW/BLUE
16	4203387.001	1	1	1	DOOR LIFT MOUNT-PLT
17	4060134	1	1	1	PLASTIC WIRE CLAMP 1"
18	4203207	1	1	1	COIN CUP
19	4203208	1	1	1	COIN CUP DOOR
20	4203209	1	1	1	COIN CUP BEZEL
21	4203478.008	-	-	1	DISPLAY WINDOW
	4203478.007	-	1	-	
	4203478.006	1	-	-	
22	4203484	-	-	1	PRODUCT DEFLECTOR
	4203484.001	1	-	-	
	4203484.002	-	1	-	
23	4203485.001	1	1	1	LEFT DOOR PARTITION
24	4203486	1	1	1	QUARTER TURN HANDLE
25	4203566.001	2	2	2	WINDOW RETAINER CHAR
26	4207441	1	1	1	DOOR PARTITION
27	4208890	1	1	1	COIN BOX-PLASTIC
28	4209025.008	-	-	1	WINDOW GASKET-GLASS
	4209025.007	-	1	-	
	4209025.006	1	-	-	
29	4210954	1	1	1	INSERT MOUNT
30	4211555	AR	AR	AR	BEVELED FOAM GASKET 3/4
31	4213796	1	1	1	GROUND STRAP 20"
32	4213951	1	1	1	VF DISPLAY
33	4213961	1	1	1	CONTROL BOARD COVER

34	4050747	4	4	4	1/4 STAMPED HEX NUT
35	4201942	2	2	2	6-20 X 3/16 PHIL PH TYP B
36	4211310.375	4	4	4	BOARD STANDOFF-3/8"
37	8800956	28	28	28	8-32 HEX NUT W/ETW
38	4050202	3	3	3	8-18 x 1/2 PHIL HWH TEK
39	4203263	8	8	8	1/4 x 1/2 x 3" FOAM TAPE - CORNER GASKET
40	4202255	AR	AR	AR	GASKET 1/4 x3/4 W/ADHESIVE
41	4050423	AR	AR	AR	8-18X3/8 PHIL PH TY-A
42	4050338	2	2	2	10-32 X 1/2" PHIL FH MS
43	4050495	2	2	2	10-32 NUT, TWO WAY LOCK
44	1215072	1	1	1	MECH MOUNT RIVET ASSEMBLY
45	OPTIONAL	1	1	1	COIN MECHANISM
46	4050585	1	1	1	#8 EXT. TOOTH LOCKWSHR
47	4209656.001	1	1	1	POP PLATE
48	4210396.012	1	1	1	FILLER DECAL-IVEND ENGLISH
49	4201907.001	1	1	1	VALIDATOR PLATE
50	4209639	1	1	1	VALIDATOR FILLER

(LIST OF PARTS NOT SHOWN)

51	4214367.001	1	1	1	KEYPAD HARNESS GVC2
52	4214763	1	1	1	GVC VF DISPLAY HARNESS
53	4214928	1	1	1	SECONDARY POWERHARNESS
54	4214942.001	1	1	1	DROP SENSOR/I-VENDHARNES
55	4214942.100	1	1	1	I-VEND EXTENSION
56	4215094	1	1	1	GVC2 DOOR MDB HARNESS

CABINET ASSEMBLY



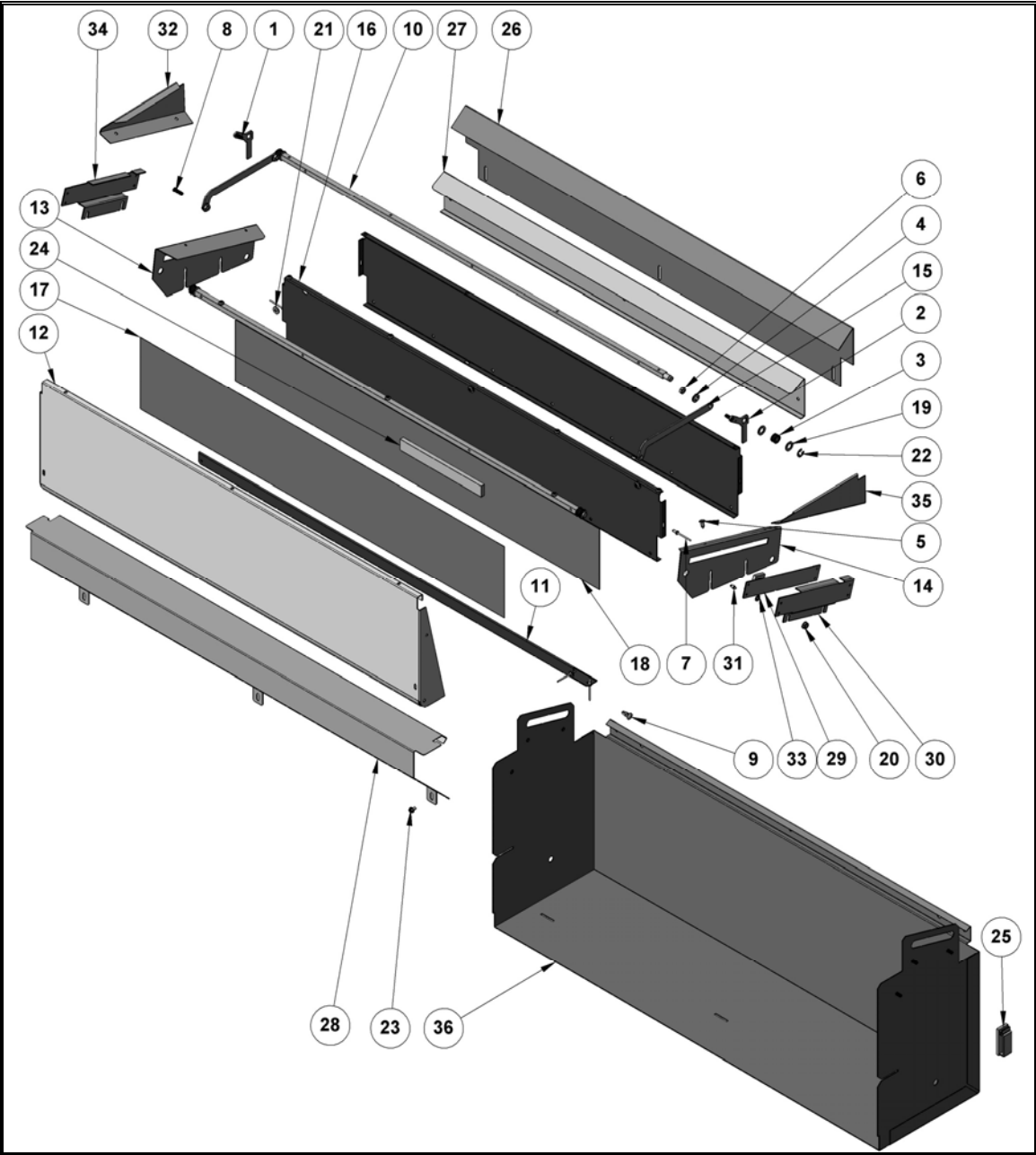
CABINET ASSEMBLY PARTS LIST

ITEM NO.	PART NUMBER	3W	4W	5W	DESCRIPTION
1	1214704.002	4	4	4	LEG ASSEMBLY
2	1216756.005	-	-	1	CABINET WELD
	1216756.004	-	1	-	
	1216756.003	1	-	-	
3	1216281	1	1	1	RIGHT PANEL WELD
4	8801388	16	16	16	5/16-18 x 3/4 HWH TYPE-1
5	4213281	1	1	1	CONNECTION BOX
6	4213448	1	1	1	CONNECTION BOX COVER
7	4214889	1	1	1	CONTROL PANEL
8	4201333.003	1	1	1	FILLER PLATE 15 PIN
9	7250135.001	3	3	3	HOLE PLUG, BPF-1/2
10	7250135.003	8	8	8	HOLE PLUG-BPF 3/4
11	7250135	2	2	2	HOLE PLUG - 1 3/8"
12	8324099.7	1	1	1	CLAMP 1/2 X 5/8
13	4050513	1	1	1	8-32 TWIN WHIZ LK NUT
14	4050202	AR	AR	AR	8-18 x 1/2 PHIL HWH TEK
15	(SEE PAGE#15)	-	-	6	5W PLASTIC TRAY HR-40
	(SEE PAGE#17)	6	6	-	3W & 4W PLASTIC TRAY HR-32/HR-23
16	(SEE PAGE#13)	1	1	1	POWER ASSEMBLY
17	4050423	AR	AR	AR	8-18 X 3/8 PHIL HWH TEK
18	4215509	1	1	1	SERVICE MODE LABEL GVC2
19	4212490.001	1	1	1	RFI FILTER IEC SOCKET 10A
20	8800638	2	2	2	10-16 X 3/8 PHL PH TYPE
21	4050585	2	2	2	#8 EXT TOOTH LOCKWSHR
22	4212644	1	1	1	LOCK REINFORCEMENT
23	4212224	1	1	1	LOCK NUT BRACKET
24	1216280	1	1	1	LEFT PANEL WELD
25	4203634	1	1	1	SPLIT NUT ASSY
26	4203645	1	1	1	ANTI-CHEAT (SHORT)
27	4203645.001	1	1	1	ANTI-CHEAT (LONG)
28	4214682.002	1	1	1	CONTROL BOARD GVC2
29	4206879	4	4	4	BOARD STANDOFF-3/8"
30	1216600	1	1	1	CONTROL BOARD MOUNT WELD
31	4033712	2	2	2	CABLE TIE 7 3/8"

(LIST OF PARTS NOT SHOWN)

32	4215615	1	1	1	CAB/CONTROL BOARD HARNESS
33	4214925	1	1	1	CABINET POWER FEED CABLE
34	4215084	1	1	1	GVC2 MDB CABINET HARNESS

DELIVERY BOX ASSEMBLY

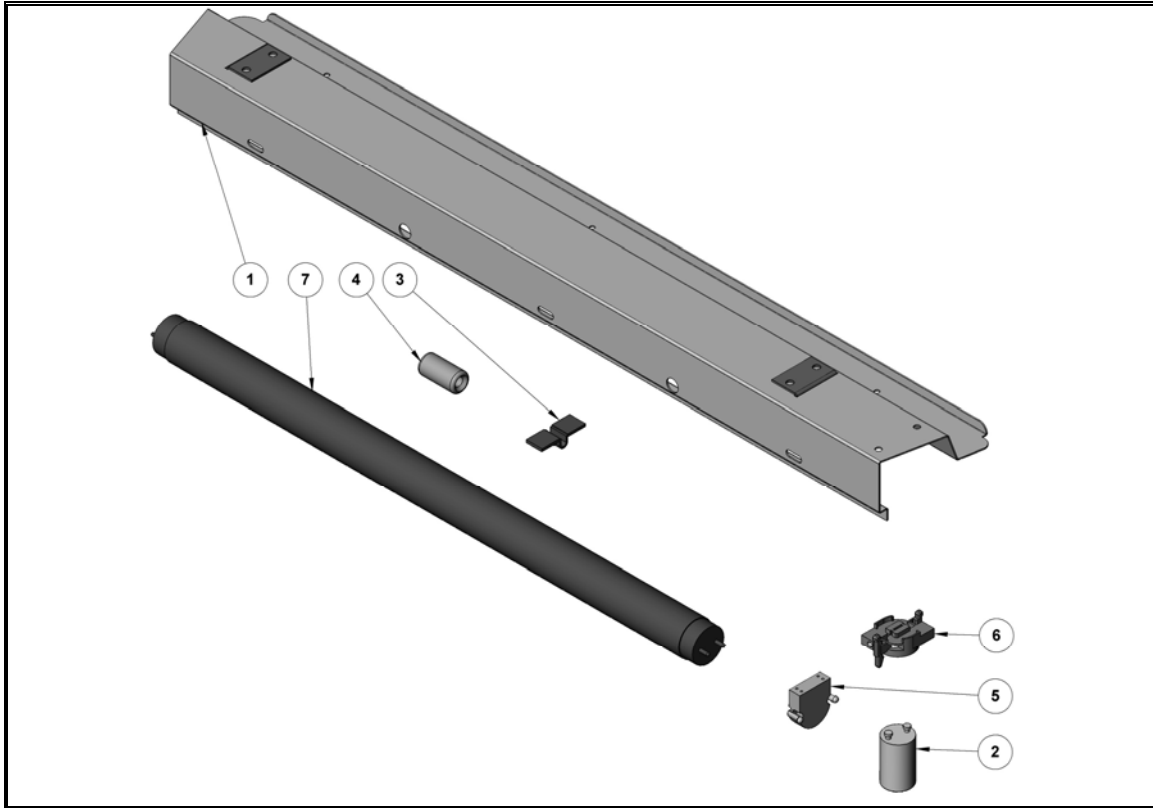


DELIVERY BOX ASSEMBLY PARTS LIST

ITEM NO.	PART NUMBER	3W	4W	5W	DESCRIPTION.
1	1216111.001	1	1	1	ANTI CHEAT LINK SKAKE
2	1216111.002	1	1	1	ANTI CHEAT LINK SKAKE
3	4025263.001	4	4	4	TYPE#5 NYLINER 5/16ID
4	4030100	4	4	4	BUSHING-SPACER
5	4050239	13	13	13	8-32 x 3/8 PHIL PH TYP T
6	4050511	4	4	4	8-32 NUT-TWO WAY LOCK
7	4050663	8	8	8	1/8 x 1/4 POP RIVET
8	4203386.044	2	2	2	8-32 x 5/8 CAPT. STUD
9	4205329	2	2	2	ARROW CLIP
10	4207698.005	-	-	2	DELIVERY SHAFT
	4207698.004	-	2	-	
	4207698.003	2	-	-	
11	4212454.005	-	-	1	DELIVERY DOOR BACK
	4212454.004	-	1	-	
	4212454.003	1	-	-	
12	4212459.005	-	-	1	DELIVERY DOOR
	4212459.004	-	1	-	
	4212459.003	1	-	-	
13	4212460.001	1	1	1	DELIVERY SIDE DEFLECTOR
14	4212460.002	1	1	1	DELIVERY SIDE DEFLECTOR
15	4212462	2	2	2	DELIVERY LINK
16	4212463.005	-	-	2	DELIVERY ANTI- CHEAT
	4212463.004	-	2	-	
	4212463.003	2	-	-	
17	4212760.005	-	-	1	VINYL BACKING 29 X 5
	4212760.004	-	1	-	
	4212760.003	1	-	-	
18	4212760.015	-	-	1	VINYL BACKING 29 X 4.25
	4212760.014	-	1	-	
	4212760.013	1	-	-	
19	8324353	8	8	8	5/16 ID FLAT WASHER
20	8800956	2	2	2	8-32 HEX NUT W/ETW
21	8801011	3	3	3	#8 FLAT WASHER
22	8801080	4	4	4	E-RING 5/16
23	4050420	4	-	4	8-18 x 1/4 PHIL HWH TY
24	4202255	AR	AR	AR	GASKET 1/4 x3/4 W/ADHESIVE
25	4207217	2	2	2	FLAT WIRE CLAMP
26	4210065.002	-	-	1	DELIVERY DEFLECTOR
	4210065.001	-	1	-	
	4210065	1	-	-	
27	4212457.005	-	-	1	BACK DELIVERY DEFLECTOR
	4212457.004	-	1	-	
	4212457.003	1	-	-	

28	4212458.005	-	-	1	FALSE BOX
	4212458.004	-	1	-	
	4212458.003	1	-	-	
29	4212464.006	1	1	1	DELIVERY SENSOR COMPLETE/GF/HR
30	4212563.001	1	1	1	SENSOR MOUNT
31	4212636	8	8	8	SUPPORT POST LFT
32	4212742.001	1	1	1	LEFT SIDE DELIVERY DEFLECTOR
33	4050585	4	4	4	#8 EXT. TOOTH LOCKWASHER
34	4212563.002	1	1	1	SENSOR MOUNT RGT
35	4212742.002	1	1	1	RGHT SIDE DEFLECTOR
36	1216110.005	-	-	1	DELIVERY BOX WELD
	1216110.004	-	1	-	
	1216110.003	1	-	-	

LIGHT ASSEMBLY



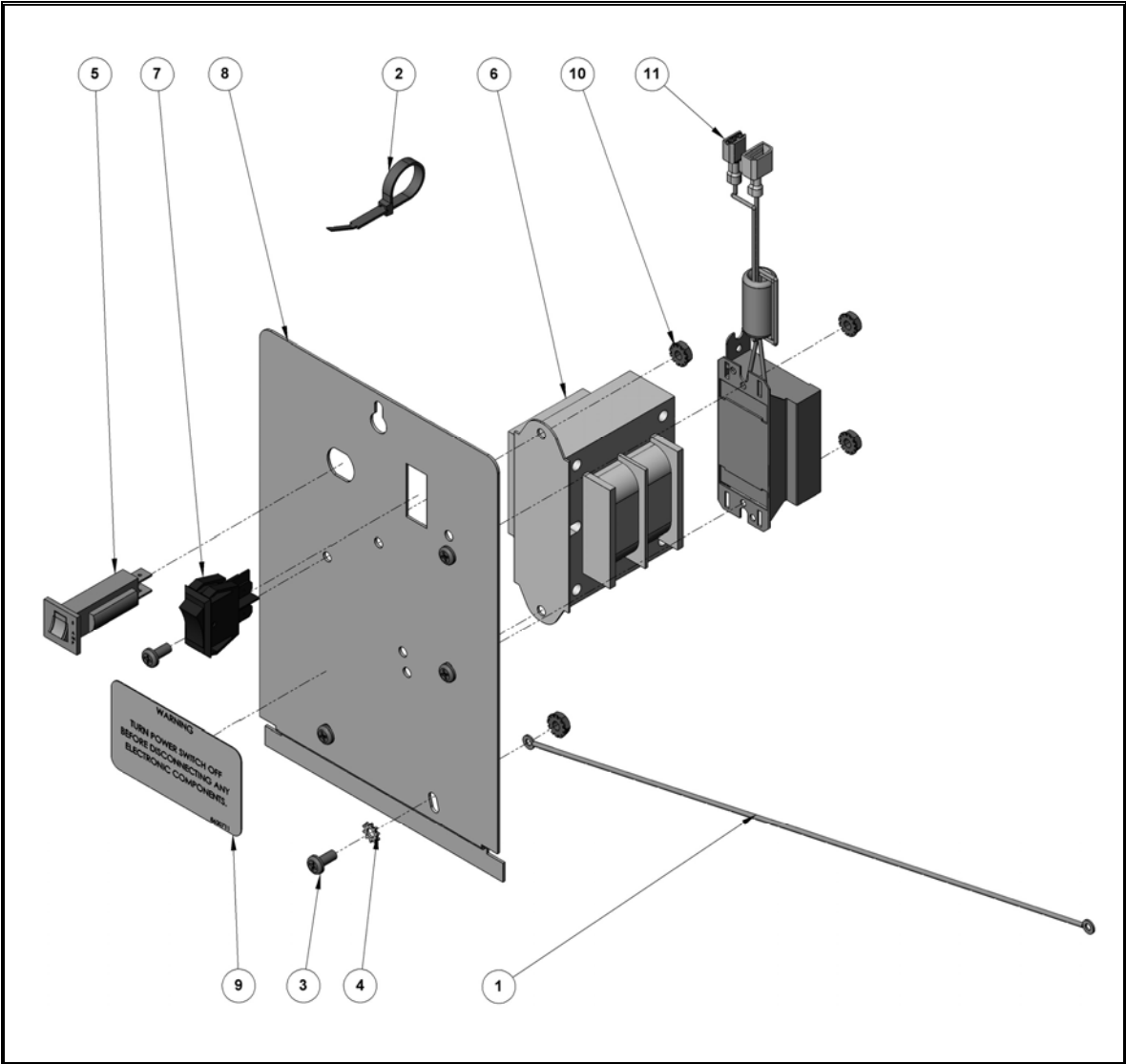
LIGHT ASSEMBLY PARTS LIST

ITEM NO.	PART NUMBER	3W	4W	5W	DESCRIPTION.
1	1215093.002	-	-	1	
	1215093.001	-	1	-	LIGHT REF WELD
	1215093	1	-	-	
2	4033661	-	1	1	STARTER
	4033567	1	-	-	
3	4060130	1	1	2	PRESS CLIP-1/4"
4	4202801	1	1	1	SHIELD BEAD
5	4207171	2	2	2	LAMP SOCKET
6	4208884	1	1	1	STARTER SOCKET
	4034135	-	-	1	LAMP F18T8/CW/K24
	4033549	-	1	-	LAMP F15T8/CW/18"
7	4033668	1	-	-	LAMP F14T8/CW

(LIST OF PARTS NOT SHOWN)

8	4208807.005	-	-	1	
	4208807.004	-	1	-	REPL-HA-LAMP HARNESS
	4208807.003	1	-	-	

POWER PANEL ASSEMBLY



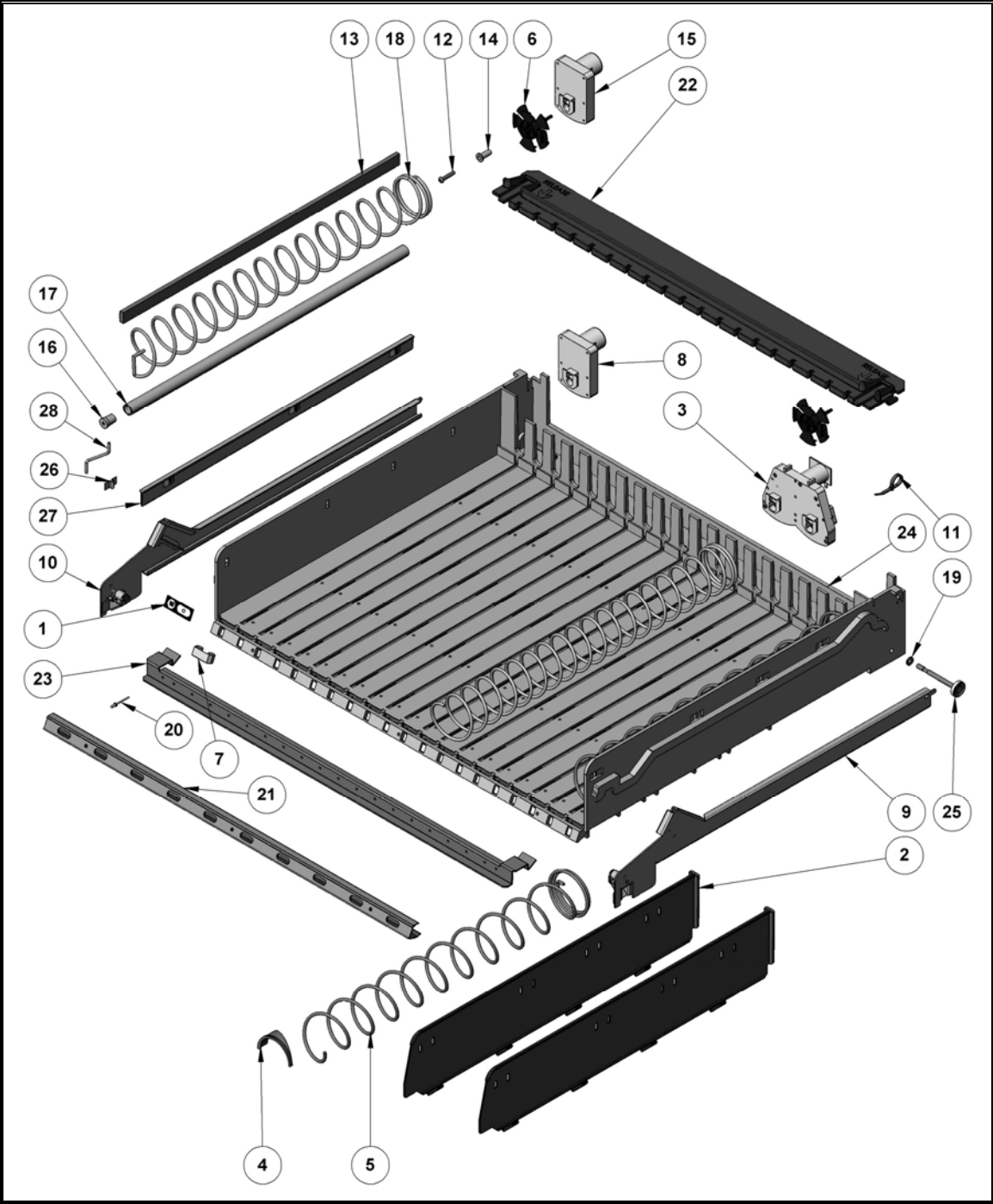
POWER PANEL ASSEMBLY PARTS LIST

ITEM NO.	PART NUMBER	3W	4W	5W	DESCRIPTION
1	1211465.003	1	1	1	GROUND WIRE
2	4033712	1	1	1	CABLE TIE 7 3/8"
3	4050240	5	5	5	8-32 x 3/8 PHIL PH MS
4	4050585	1	1	1	#8 EXT. TOOTH LOCKWSHR
5	4203467.003	1	1	1	3 AMP CIRCUIT BREAKER
6	4206570.000	1	1	1	TRANSFORMER (110 VAC)
7	4213908	1	1	1	ROCKER SWITCH
8	4215173	1	1	1	POWER PANEL
9	8620711	1	1	1	POWER SWITCH WARNING
10	8800956	5	5	5	8-32 HEX NUT W/ETW
11	4215572	-	-	1	TERMINATED BALLAST (110 VAC)
	4215409	1	1	-	

(LIST OF THE PARTS NOT SHOWN)

12	4215623	1	1	1	POWER PANEL PRIMARY HARNESS
13	4215624	1	1	1	POWER PANEL SECONDARY HARNESS

5W PLASTIC TRAY ASSEMBLY



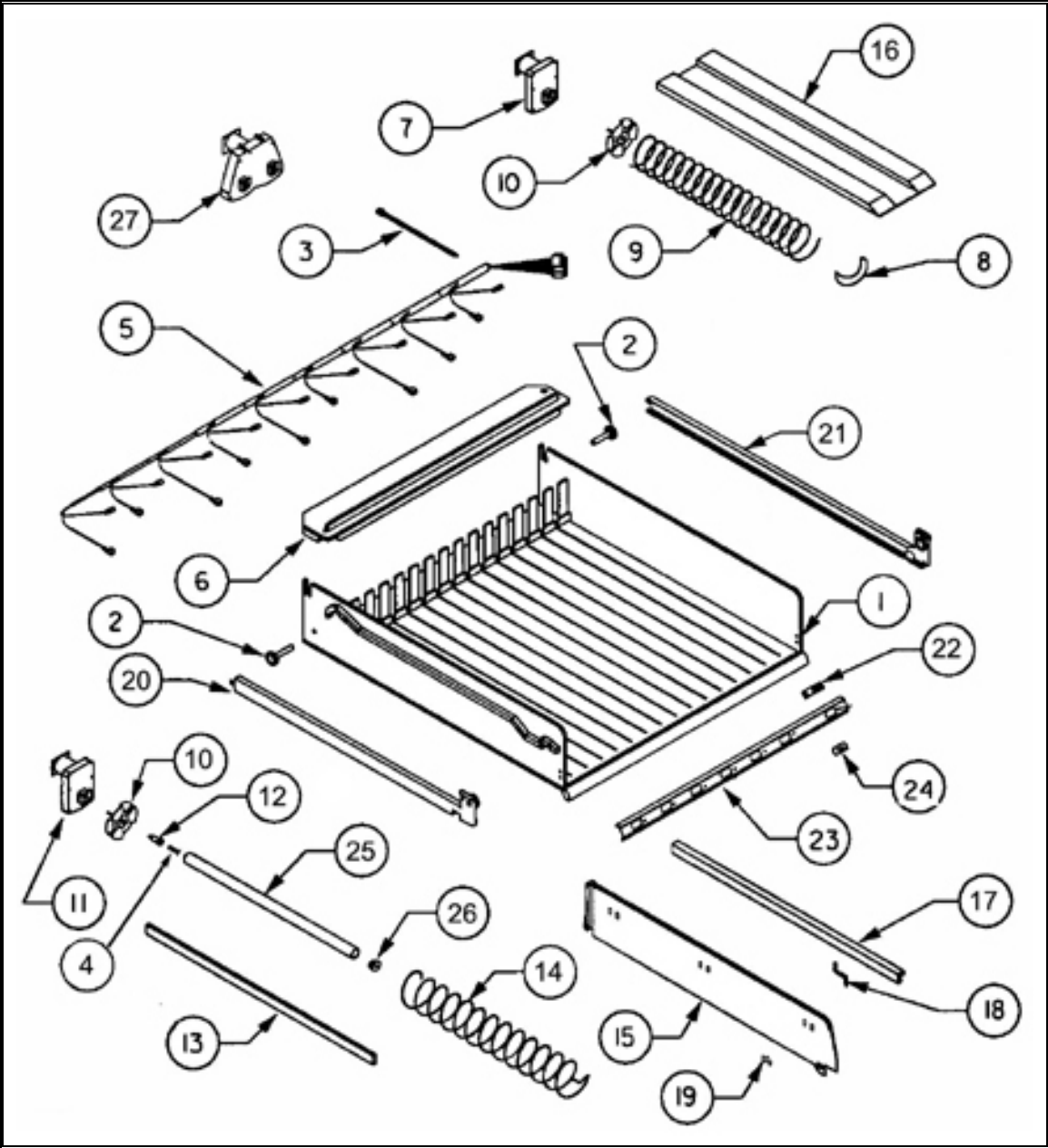
5W-PLASTIC TRAY ASSEMBLY PARTS LIST (HR 40)

ITEM NO.	PART NUMBER	5W	DESCRIPTION.
1	4213017.001	AR	SELECTION SCROLL COVER/HR
2	4210732.001	AR	DIVIDER
3	4214949	AR	DUAL MOTOR
4	4025748	AR	PRODUCT EJECTORS-CCW-BLACK
5	(SEE PAGE #19)	AR	SPIRALS
6	4209502	AR	AUGER COUPLING
7	(SEE PAGE #20)	AR	PRICE SCROLL
8	4214948.001	AR	MOTOR 180 DEG G & M
9	1215925	AR	RAIL ASSY LONG LEFT
10	1215925.001	AR	RAIL ASSY LONG RIGHT
11	4203509	AR	CABLE TIE 3/8"
12	8810035	AR	10-24 x 1 TRUSS CROSS HEAD
13	4202624.006	AR	GUM & MINT SPACER W/TAPE 22"
14	4210900	AR	SHOULDER BUSHING
15	4214948	AR	MOTOR 360 DEG
16	4203101	AR	END CAP
17	4202625.001	AR	GUM & MINT HELIX TUBE 22 1/6"
18	(SEE PAGE #19)	AR	SPIRALS
19	4203029	AR	WASHER-INNER DOOR
20	4212631	AR	RIVET
21	4210733.005	AR	TRAY EXTRUSION 5W
22	4210731.005	AR	MOTOR COVER 5W
23	4211371	AR	TRAY BRACE
24	4210730.001	AR	5W TRAY
25	4060670.009	AR	ROLLER
26	4200281	AR	SPRING CLIP
27	8370660.5	AR	SPACER
28	8370998	AR	SUPPORT-SPACER

(LIST OF THE PARTS NOT SHOWN)

29	4214678.005	AR	TRAY HARNESS
----	-------------	----	--------------

4W & 3W PLASTIC TRAY ASSEMBLY



4W & 3W PLASTIC TRAY ASSEMBLY PARTS LIST (HR 32 & HR 23)

ITEM NO.	PART NUMBER	3W	4W	DESCRIPTION.
1	4203276	-	AR	PRODUCT TRAY
	4203275	AR	-	
2	4060670.004	AR	AR	ROLLER
3	4203509	AR	AR	CABLE TIE
4	8810035	AR	AR	10-24 X1 TRUSS CROSS HEAD
5	4203508.004	-	AR	TRAY HARNESS
	4203508.003	AR		
6	4203277.004	-	AR	MOTOR COVER
	4203277.003	AR	-	
7	4214948	AR	AR	MOTOR 360 DEG
8	4025748	AR	AR	PRODUCT EJECTOR
9	(SEE PAGE #19)	AR	AR	SPIRALS
10	4209502	AR	AR	AUGER COUPLING
11	4214948.001	AR	AR	MOTOR 180 DEG G & M
12	4210900	AR	AR	SHOULDER BUSHING
13	4202624.006	AR	AR	GUM & MINT SPACER W/TYPE 22"
14	(SEE PAGE #19)	AR	AR	SPIRALS
15	4025797	AR	AR	PRODUCT DIVIDER
16	4200340	AR	-	HELIX RETAINER
17	8370660.5	AR	AR	SPACER
18	8370998	AR	AR	SPACER SUPPORT
19	42000281	AR	AR	SPRING CLIP
20	1200321.002	AR	AR	RAIL ASSEMBLY LONG LEFT
21	1200321.003	AR	AR	RAIL ASSEMBLY LONG RIGHT
22	4213017.001	AR	AR	SELECTION SCROLL COVER/HR
23	4203229.004	-	AR	LABEL HOLDER
	4203229.003	AR	-	
24	(SEE PAGE #20)	AR	AR	PRICE SCROLL
25	4202623.001	AR	AR	GUM AND MINT HELIX TUBE
26	4203101	AR	AR	END CAP
27	4214949	AR	AR	DUAL MOTOR

OPTIONAL SPIRALS

SINGLE SPIRAL - CCW PART NUMBER	DUAL SPIRAL - CW PART NUMBER	SPIRAL SIZE	SPIRAL COUNT	ESTIMATED PRODUCT SIZE INCHES (MM)
4200272.100309	4205532.100309	Candy	15	1.22 (31)
4200272.101309	4205532.101309	Candy	18	1.00 (25)
4200272.102309	4205532.102309	Candy	24	0.71 (18)
4200272.103309	4205532.103309	Candy	30	0.51 (13)
4200272.104309	4205532.104309	Candy	12	1.55 (39)
4200272.105309	4205532.105309	Candy	9	2.10 (53)
4200272.106309	4205532.106309	Candy	6	3.16 (80)
4200272.107309		Snack	10	1.89 (48)
4200272.108309		Snack	12	1.55 (39)
4200272.109309		Snack	15	1.22 (31)
4200272.110309		Snack	7	2.71 (69)
4200272.111309		Snack	8	2.37 (60)
4200272.131309	4205532.131309	Candy	10	1.89 (48)
4200272.132309	4205532.132309	Candy	11	1.72 (44)
4200272.133309		Snack	30	0.51 (13)
4200272.134309	4205532.134309	Snack	18	1.00 (25)
4200272.137309		Snack	11	1.72 (44)
4200272.138309		Snack	6	3.16 (80)
4200272.139309		Snack	5	3.50 (89)
4200272.140309		Snack	12	1.63 (41)
4200272.141309		Candy	29 1/2	0.52 (13)
4200272.142309	4205532.142309	Candy	8	2.37 (60)
4200272.145309	4205532.145309	Candy	5	3.50 (89)
4200272.147309	4205532.147309	Candy	4	4.38 (111)
4200272.148309	4205532.148309	Candy	3	5.80 (147)
4202313.100309		G&M	18/36	1.00 (25)
4202313.102309		G&M	24/48	0.71 (18)
4202313.103309		HiCap	30/60	0.50 (13)
4202313.104309		HiCap	24/48	0.71 (18)
4202313.105309		HiCap	18/36	1.00 (25)
4202313.106309		HiCap	15/30	1.22 (31)
4202313.107309		G&M	20/40	0.86 (22)
4202313.108309		HiCap	12/24	1.55 (39)

OPTIONAL PRICE SCROLLS

PRICE SCROLL PART NUMBER	SCROLL PRICE RANGE	COUNTRY
4213143.001	FREE AND .35-1.00 (.05 increments)	USA
4213143.002	.05-.30 AND 1.05 to 1.45 (.05 increments)	USA
4213143.003	1.50 TO 2.20 (.05 increments)	USA
4213143.004	2.25 TO 2.95 (.05 increments)	USA
4213143.005	3.00 TO 3.70 (.05 increments)	USA
4213143.006	3.75 TO 4.45 (.05 increments)	USA
4213143.007	4.50 TO 5.20 (.05 increments)	USA
4213143.008	5.25 TO 5.95 (.05 increments)	USA
4213143.009	6.00 TO 6.70 (.05 increments)	USA
4213143.010	6.75 TO 7.45 (.05 increments)	USA
4213143.011	7.50 TO 8.20 (.05 increments)	USA
4213143.012	8.25 TO 8.95 (.05 increments)	USA
4213143.013	9.00 TO 9.70 (.05 increments)	USA
4213143.014	9.75 TO 10.45 (.05 increments)	USA
4213143.015	11.00 TO 25.00 (1.00 increments)	USA
4213143.016	30.00 TO 100.00 (5.00 increments)	USA
4213143.017	1.5 TO 8.5 (0.5 increments)	MEXICO
4213143.018	9.0 TO 16.0 (0.5 increments)	MEXICO
4213143.019	0.5 TO 1.0 AND 16.5 TO 22.5 (0.5 increments)	MEXICO
4213143.020	1.00 TO 2.40 (0.10 increments)	AUSTRALIA/NZ
4213143.021	2.50 TO 3.90 (0.10 increments)	AUSTRALIA/NZ
4213143.022	300 TO 1600 (100 increments)	VENEZUELA
4213143.023	1700 TO 3000 (100 increments)	VENEZUELA
4213143.024	3100 TO 4400 (100 increments)	VENEZUELA
4213143.025	4500 TO 5800 (100 increments)	VENEZUELA
4213143.026	5900 TO 7200 (100 increments)	VENEZUELA
4213143.027	7300 TO 8600 (100 increments)	VENEZUELA

NOTES

The contents of this publication are presented for informational purposes only, and while every effort has been made to ensure their accuracy, they are not to be construed as warranties or guarantees, express or implied, regarding the products or services described herein or their use or applicability. We reserve the right to modify or improve the designs or specifications of such products at any time without notice.



VendNet™
165 North 10th Street
Waukee, Iowa 50263
United States of America



	USA & Canada	International
Service	(800) 833-4411	(515) 274-3641
Parts	(888) 259-9965	
Email	vendnet@vendnetusa.com	
Web Site	www.vendnetusa.com	