

GENEVA

COFFEE MACHINE

(FRESH BREW & FREEZE DRIED)

PARTS MANUAL

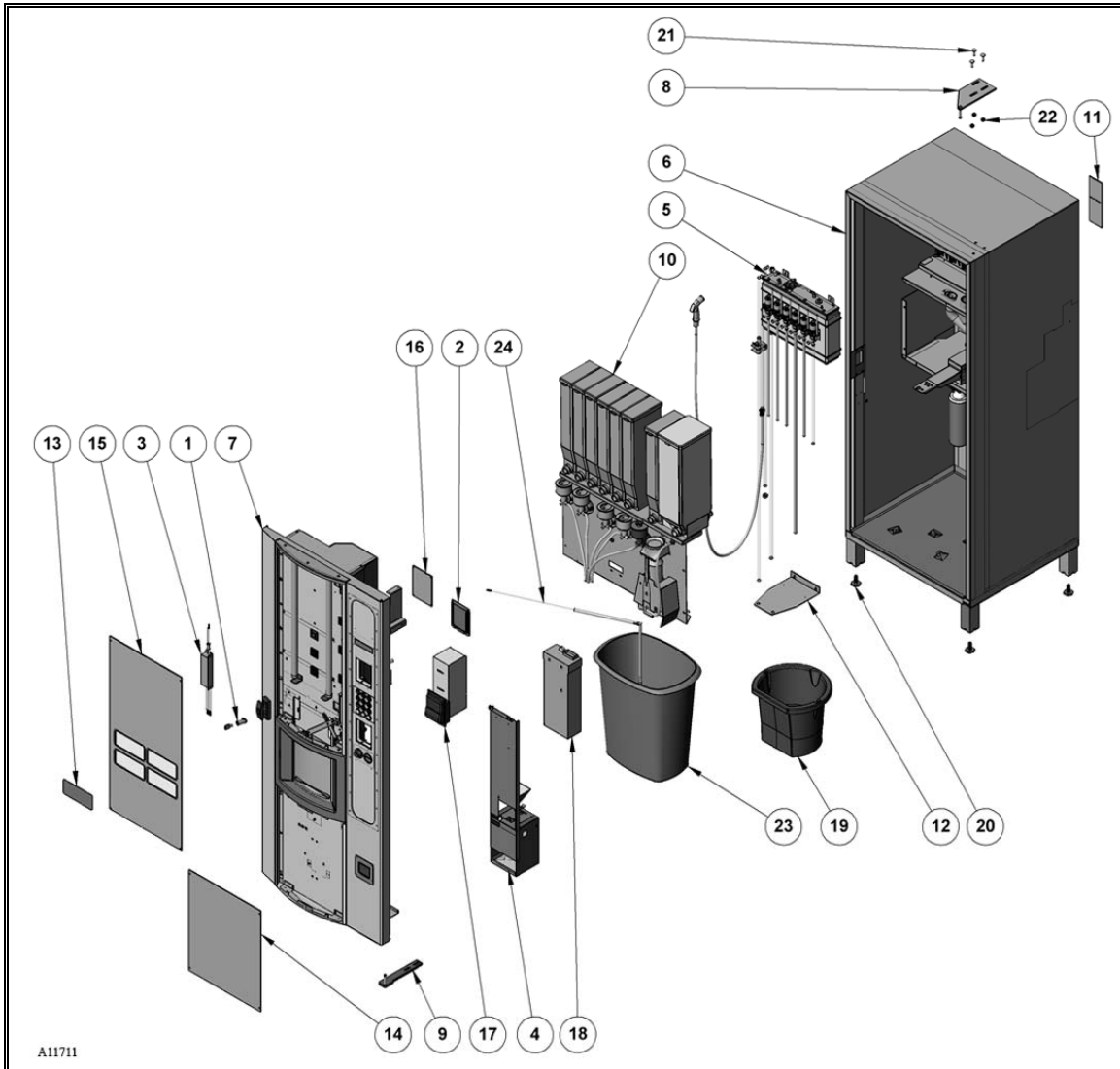


VendNet™
165 North 10th Street
Waukee, IOWA 50263-0488
United States of America

TABLE OF CONTENTS

FINAL ASSEMBLY – COFFEE MACHINE –FB	1
<i>FINAL ASSEMBLY–FB PARTS LIST</i>	2
FINAL ASSEMBLY – COFFEE MACHINE –FD	3
<i>FINAL ASSEMBLY– FD PARTS LIST</i>	4
DOOR ASSEMBLY COFFEE (FB & FD)	5
<i>DOOR ASSEMBLY PARTS LIST</i>	7
CUP HOUSING ASSEMBLY (FB & FD)	9
<i>CUP HOUSING ASSEMBLY (FB & FD) PARTS LIST</i>	10
CUP COMPARTMENT DOOR ASSEMBLY (FB & FD)	11
<i>CUP COMPARTMENT DOOR ASSEMBLY (FB & FD) PARTS LIST</i>	11
DOOR LINKAGE ASSEMBLY (FB & FD)	12
<i>DOOR LINKAGE ASSEMBLY (FB &FD) PARTS LIST</i>	12
DROP UNIT SUB-ASSEMBLY (FB & FD)	13
<i>DROP UNIT SUB-ASSEMBLY (FB & FD) PARTS LIST</i>	13
DOOR LIFT MOTOR ASSEMBLY (FB & FD)	14
<i>DOOR LIFT MOTOR ASSEMBLY (FB & FD) PARTS LIST</i>	14
INTERNAL KEYPAD ASSEMBLY (FB & FD)	15
<i>INTERNAL KEYPAD ASSEMBLY (FB & FD) PARTS LIST</i>	15
CABINET ASSEMBLY-FB	16
<i>CABINET ASSEMBLY-FB PARTS LIST</i>	17
CABINET ASSEMBLY-FD	18
<i>CABINET ASSEMBLY-FD PARTS LIST</i>	19
FRESH BREW INSTALLATION	20
<i>FRESH BREW INSTALLATION PARTS LIST</i>	21
FREEZE DRIED INSTALLATION	22
<i>FREEZE DRIED INSTALLATION PARTS LIST</i>	23
WHIPPER MOTOR ASSEMBLIES	24
1216830 - GRAY WHIPPER MOTOR ASSEMBLY PARTS LIST	24
1216832 - BROWN WHIPPER MOTOR ASSEMBLY PARTS LIST	24
1216831 - BEIGE WHIPPER MOTOR ASSEMBLY (BLIND) PARTS LIST	25
1216885 - BEIGE WHIPPER MOTOR ASSEMBLY PARTS LIST	25
WATER HEATER/BOILER ASSEMBLY (FB & FD)	26
<i>WATER HEATER/BOILER ASSEMBLY (FB & FD) PARTS LIST</i>	27
INGREDIENT MOTOR PANEL ASSEMBLY	28
<i>INGREDIENT MOTOR PANEL ASSEMBLY PARTS LIST</i>	28
12 OZ COFFEE BREWER SPARE PARTS (FB ONLY)	29
12 OZ COFFEE BREWER SPARE PARTS LIST	29

FINAL ASSEMBLY – COFFEE MACHINE –FB



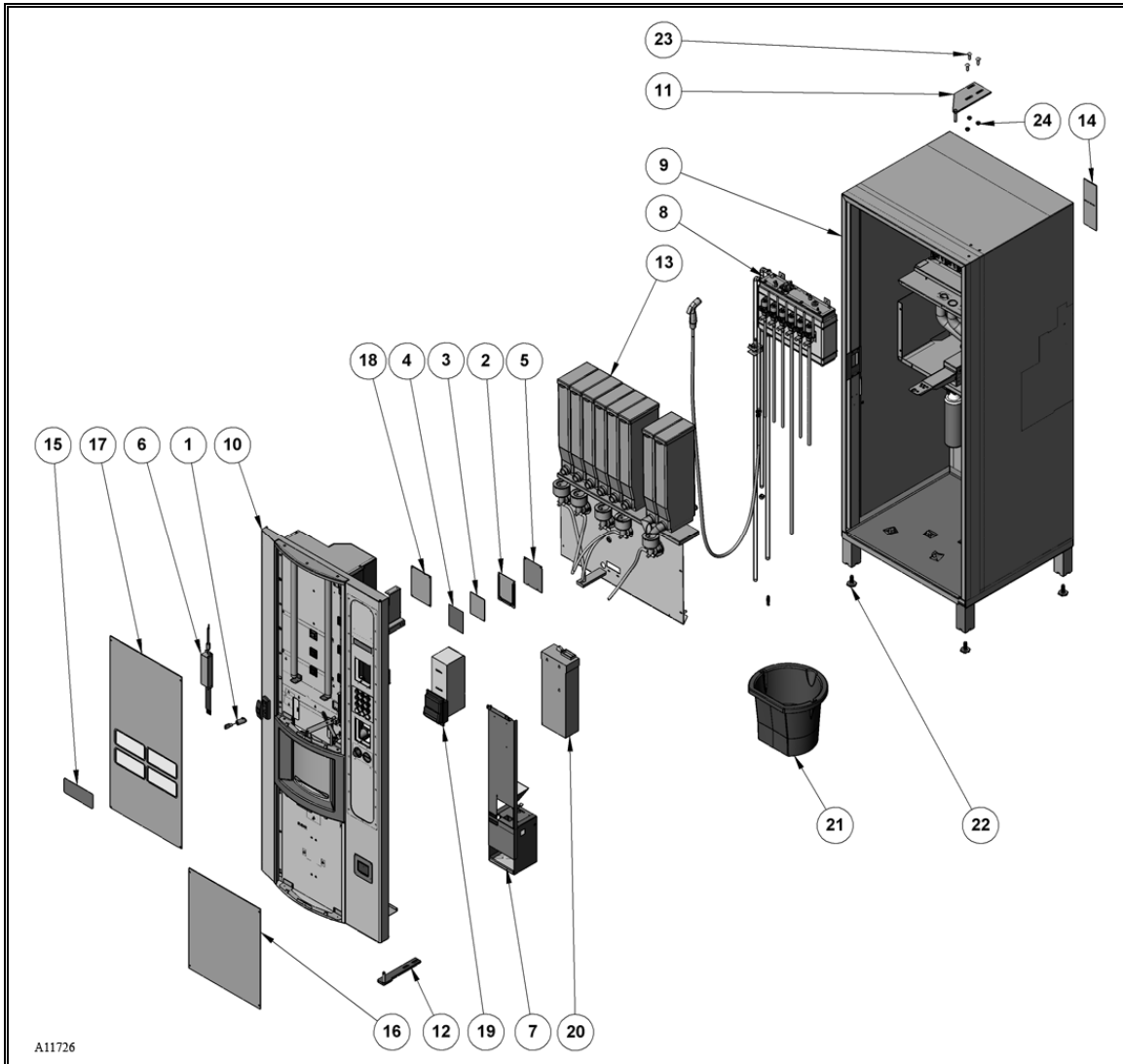
FINAL ASSEMBLY-FB PARTS LIST

ITEM NO.	PART NUMBER	FB	DESCRIPTION
1	1212652	1	LOCK INSTALL
2	1215919.011	1	ENGLISH IVEND INSTRUCTION
3	1216399	1	TERMINATED BALLAST ASSEMBLY(110V)
	1216401.001		TERMINATED BALLAST ASSEMBLY(220V)
4	1216793	1	COIN BOX OPTION
5	(SEE PAGE #26)	1	WATER HEATER/BOILER
6	(SEE PAGE #16)	1	CABINET ASSEMBLY
7	(SEE PAGE #5)	1	DOOR ASSEMBLY COFFEE
8	1216947	1	UPPER HINGE STAKE
9	1216948	1	LOWER HINGE STAKE
10	(SEE PAGE #22)	1	FRESH BREW INSTALLATION
11	4205044.308	1	SERIAL PLATE COFFEE /110V(NOT FOR SALE)
	4205044.376		SERIAL PLATE COFFEE /220V(NOT FOR SALE)
12	4214320	1	HOSE MOUNT
13	4214600.004	1	SELECTION LABEL(ENGLISH)
14	4214569	1	BOTTOM SIGN FACE
15	1216845	1	GENEVA TOP SIGN
16	4214454	1	CONTROL BOARD GENEVA COFFEE
17	OPTIONAL	1	BILL VALIDATOR
18	OPTIONAL	1	COIN MECHANISM
19	4214577	1	BUCKET (3GAL)
20	4060310	4	LEG LEVELER
21	8810013	5	5/16 – 18 X 1 CARR. BOLT
22	8810015	5	5/15 – 18 FLANGE LOCK NUT
23	4214471	1	40Q WASTE BUCKET
24	4215298	1	CABINET WASTE BASKET SENSOR

LIST OF PARTS NOT SHOWN

25	4216016	1	GFCI POWER CORD
26	4214917	1	HBM LABEL SET ENGLISH

FINAL ASSEMBLY – COFFEE MACHINE –FD



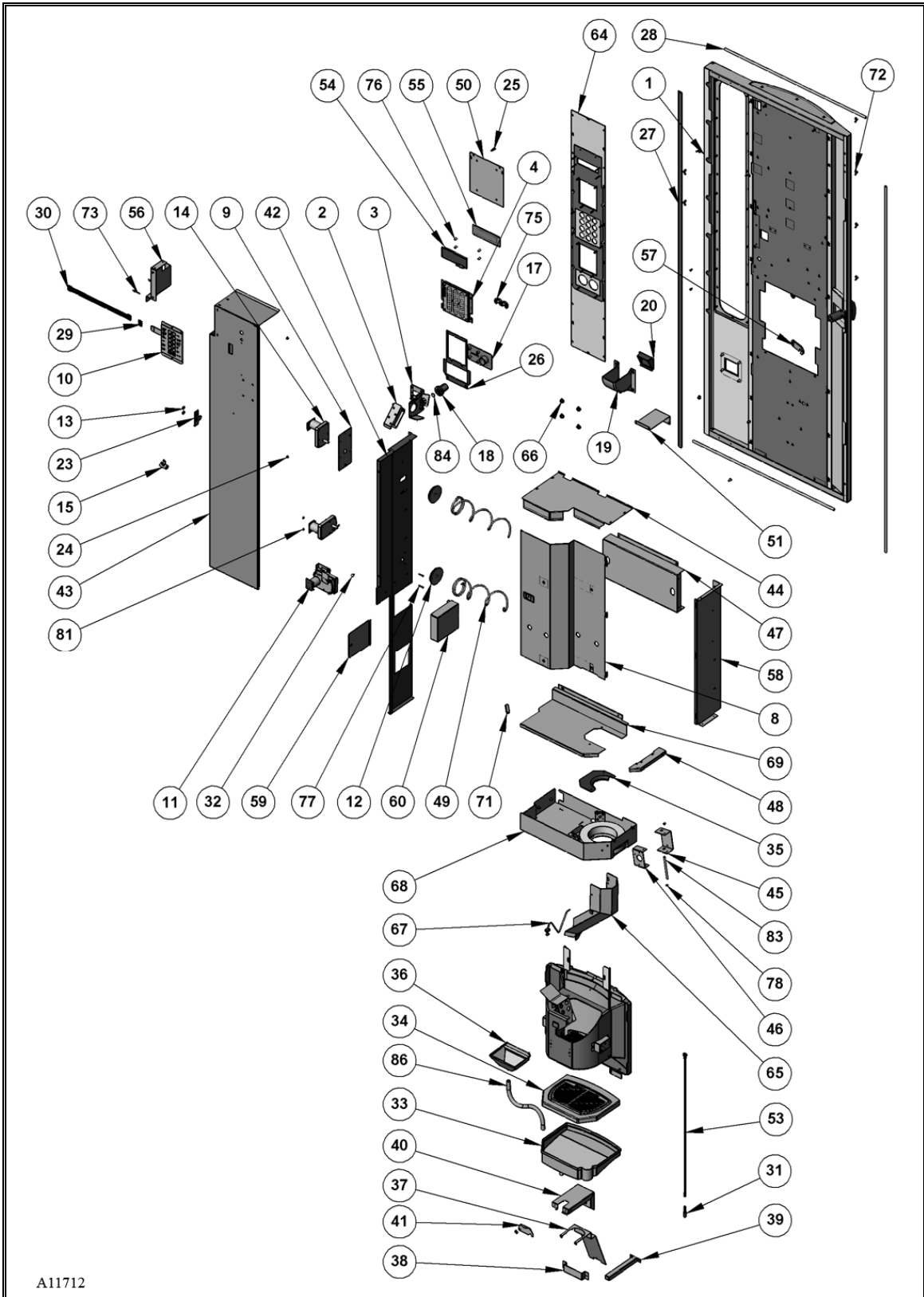
FINAL ASSEMBLY– FD PARTS LIST

ITEM NO.	PART NUMBER	FD	DESCRIPTION
1	1212652	1	LOCK INSTALL
2	4209639	1	VALIDATOR FILLER
3	4209656.001	1	POP PLATE -BLACK
4	4210396.012	1	FILLER DECAL-IVEND ENGLISH
5	4201907.001	1	VALIDATOR PLATE-WRNKL
6	1216399	1	TERMINATED BALLAST ASSEMBLY(110V)
	1216401.001		TERMINATED BALLAST ASSEMBLY(220V)
7	1216793	1	COIN BOX OPTION
8	(SEE PAGE #26)	1	WATER HEATER/BOILER
9	(SEE PAGE #18)	1	CABINET ASSEMBLY
10	(SEE PAGE #5)	1	DOOR ASSEMBLY COFFEE
11	1216947	1	UPPER HINGE STAKE
12	1216948	1	LOWER HINGE STAKE
13	(SEE PAGE #24)	1	FREEZE DRIED INSTALLATION
14	4205044.309	1	SERIAL PLATE COFFEE/110V (NOT FOR SALE)
	4205044.373		SERIAL PLATE COFFEE/220V (NOT FOR SALE)
15	4214600.004	1	SELECTION LABEL(ENGLISH)
16	4214569	1	BOTTOM SIGN FACE
17	1216845	1	GENEVA TOP SIGN
18	4214454	1	CONTROL BOARD GENEVA COFFEE
19	OPTIONAL	1	BILL VALIDATOR
20	OPTIONAL	1	COIN MECHANISM
21	4214577	1	BUCKET (3GAL)
22	4060310	4	LEG LEVELER
23	8810013	5	5/16 – 18 X 1 CARR. BOLT
24	8810015	5	5/16 – 18 FLANGE LOCK NUT

LIST OF PARTS NOT SHOWN

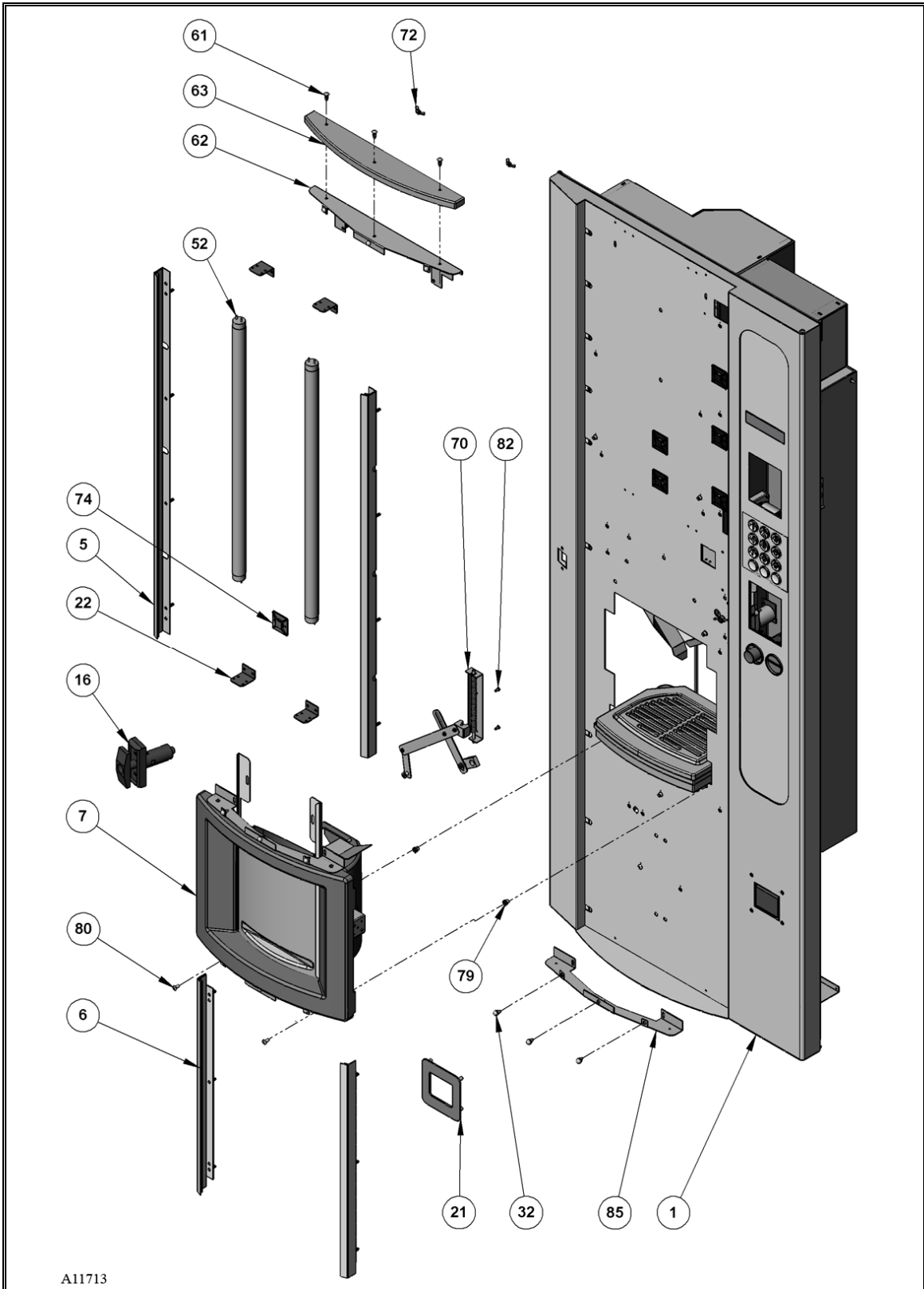
25	4216016	1	GFCI POWER CORD
26	4214917	1	HBM LABEL SET ENGLISH

DOOR ASSEMBLY COFFEE (FB & FD)



A11712

DOOR ASSEMBLY COFFEE



A11713

DOOR ASSEMBLY PARTS LIST

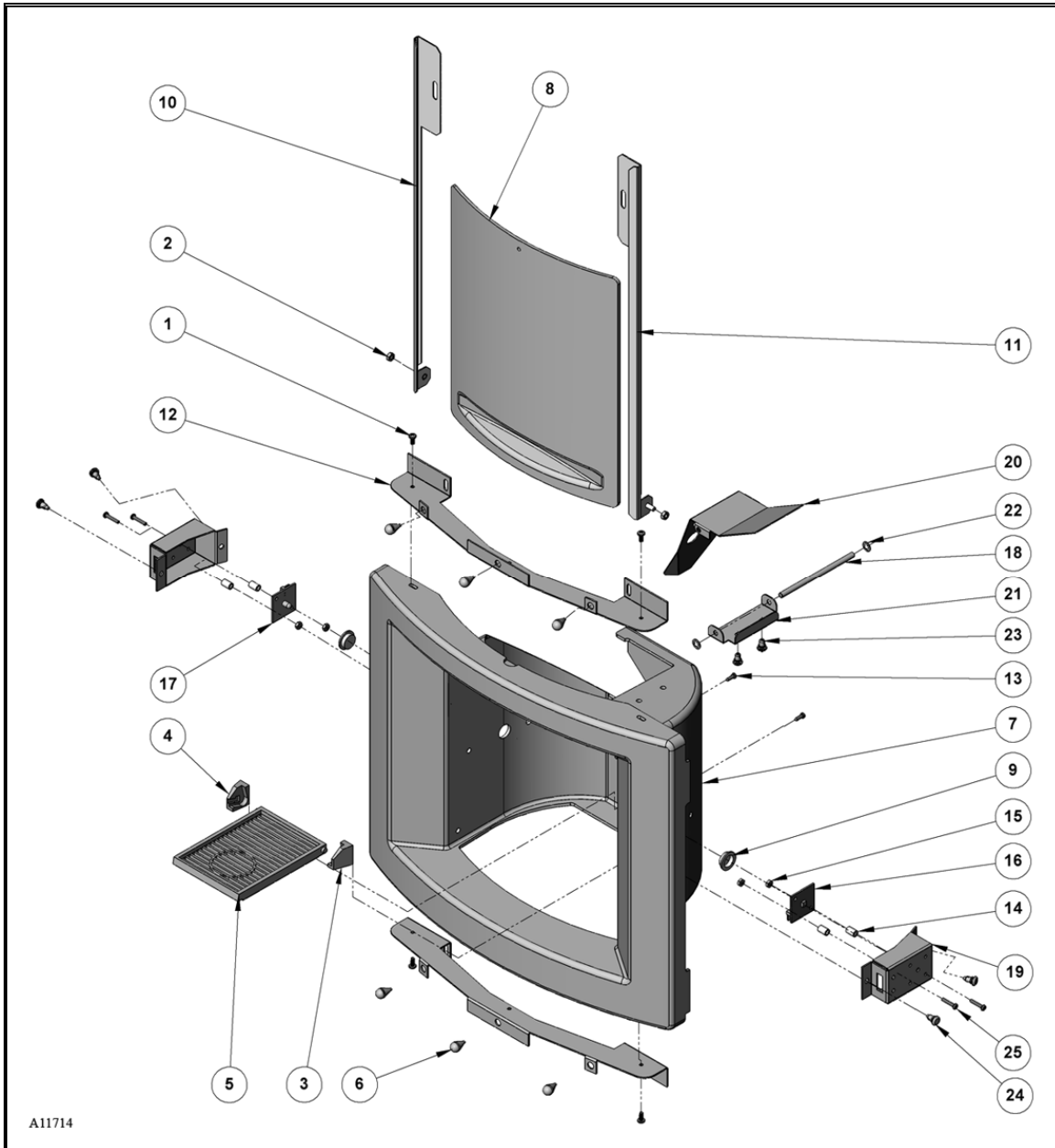
ITEM NO.	PART NUMBER	FB	FD	DESCRIPTION
1	1217207	1	1	DOOR WELD COFFEE
2	1212097	1	1	COIN CHUTE-WELD
3	1216187	1	1	COIN RETURN LEVER MECHANISM
4	1216670	1	1	KEYPAD ASSEMBLY
5	1217208	2	2	TOP PICTURE GUIDE WELD
6	1216778	2	2	BOTTOM PICTURE GUIDE WELD
7	(SEE PAGE #9)	1	1	CUP HOUSING ASSEMBLY
8	(SEE PAGE #11)	1	1	CUP COMPARTMENT DOOR ASSEMBLY
9	1216906	1	1	L/H COIL SUPPORT BRACKET
10	(SEE PAGE #15)	1	1	INTERNAL KEYPAD ASSEMBLY
11	(SEE PAGE #14)	1	1	LIFT DOOR MOTOR ASSEMBLY
12	4025745.001	2	2	AUGER COUPLING
13	4030100	3	3	BUSHING-SPACER
14	4034342.002	2	2	24VDC MOTOR-360°
15	4060118	1	1	BULL DOG CLIP
16	4060694.001	1	1	FLUSH HANDLE LOCK
17	4203186.004	1	1	COIN INSERT 1 1/8
18	4203187	1	1	COIN RETURN BUTTON
19	4203207	1	1	COIN CUP/BLACK
20	4203208	1	1	COIN CUP DOOR
21	4203209	1	1	COIN CUP BEZEL
22	4203462.002	4	4	LAMP HOLDER MOUNT
23	4205002	1	1	INNER DOOR LATCH
24	4205749	2	2	BUMPER
25	4206879	8	8	BOARD STANDOFF-3/8"
26	4210954	1	1	INSERT MOUNT
27	4211555.001	AR	AR	BEVELED FOAM GASKET 1/2
28	4215365	AR	AR	D GASKET
29	4214414	2	2	HEADER 5 WAY WITH LONG PI
30	4214459	1	1	INTERNAL KEYPAD LOOM
31	4214480	1	1	FRONT BUCKET SENSOR
32	4214496	8	8	RUBBER BUMPER
33	4214517	1	1	TOP DRIP TRAY
34	4214518	1	1	DRIP TRAY GRILLE
35	4214519	1	1	CUP GUIDE
36	4214541	1	1	DRIP TRAY
37	4214614	1	1	DRIP CATCHER
38	4214615	1	1	DRIP CATCHER MOUNT
39	4214619	1	1	BUCKET SENSOR BRACKET
40	4214629	1	1	DRIP TRAY HOLDER
41	4214630	1	1	DRIP TRAY HOLDER HOOK
42	4214633	1	1	DOOR COVER SUPPORT
43	4214634	1	1	MECH & VAL COVER DOOR
44	4214649	1	1	DROP UNIT TOP COVER
45	4214655	1	1	TILT BRACKET MOUNT
46	4214656	1	1	TILT BRACKET
47	4214665	1	1	DOOR STIFFENER
48	4214980	1	1	CUP DROP UNIT COVER
49	4214989	2	2	CUP SPIRAL
50	4215000	1	1	FMCU BOARD MOUNT BRACKET
51	4215142	1	1	MECH MOUNT HOLDER
52	4215214	2	2	LAMP
53	4215228	2	2	BUCKET SENSOR WIRE
54	4215320	1	1	BLUE LCD DISPLAY
55	4215345	1	1	DISPLAY LENS-GENEVA COFFE
56	4215407	1	1	CONTROL DOOR COVER

57	4215432	1	1	CAM LOCK
58	4215838	1	1	DROP UNIT DOOR SUPPORT
59	4215628	1	1	SENSOR COVER
60	4215630	1	1	VEND DOOR MOTOR COVER
61	4205329	3	3	ARROW CLIP
62	1217401	1	1	TOP MOUNT STAKE
63	4215497	1	1	SIGN FACE CAP
64	1216867	1	1	TRANSACTION PANEL WELD ASSEMBLY
65	1217156	1	1	CUP CHUTE RIVET ASSEMBLY
66	4050747	4	4	1/4 STAMPED HEX NUT
67	4214877	1	1	WIRE CUP GUIDE
68	(SEE PAGE #13)	1	1	DROP UNIT SUB-ASSEMBLY
69	4216796	1	1	DROP UNIT TOP PLATE
70	(SEE PAGE #12)	1	1	DOOR LINKAGE ASSEMBLY
71	4025735.900	AR	AR	TRIM-LOCK BLACK
72	4050514	7	7	WING NUT
73	4050667.001	10	10	1/8X .125 POP RIVET
74	4214555	6	6	TIE WRAP BASE SELF-ADHENSIVE
75	4215644	1	1	FERRITE SUPPRESSOR
76	4206767	4	4	1/4 (0.140) X 3/8 STANDARD SPACER
77	8800029	4	4	4-40X3/4 PHIL PH MS
78	4215239	2	2	5MM PUSH NUT
79	4215383	48	48	10-24 HEX NUT INSERT
80	4216080	48	48	10-24X3/8 PHIL PH MS SS
81	4050517	6	6	4-40 HEX NUT, STYLE 2
82	8800763	2	2	8-32X5/16 PHIL PH TYP
83	4214549	1	1	TILT BRACKET PIN
84	4209188	1	1	SNAP PIN
85	4215514	1	1	TOP CAP MOUNT
86	4214451.002	1	1	SILICON TUBE BLK (9mm X 13mm)

LIST OF PARTS NOT SHOWN

87	4215612	1	1	CUP STATION HARNESS
88	4215321	1	1	BLUE LCD DISPLAY HARNESS
89	4215306	1	1	VEND LIGHT HARNESS
90	4215166	1	1	LAMP HARNESS

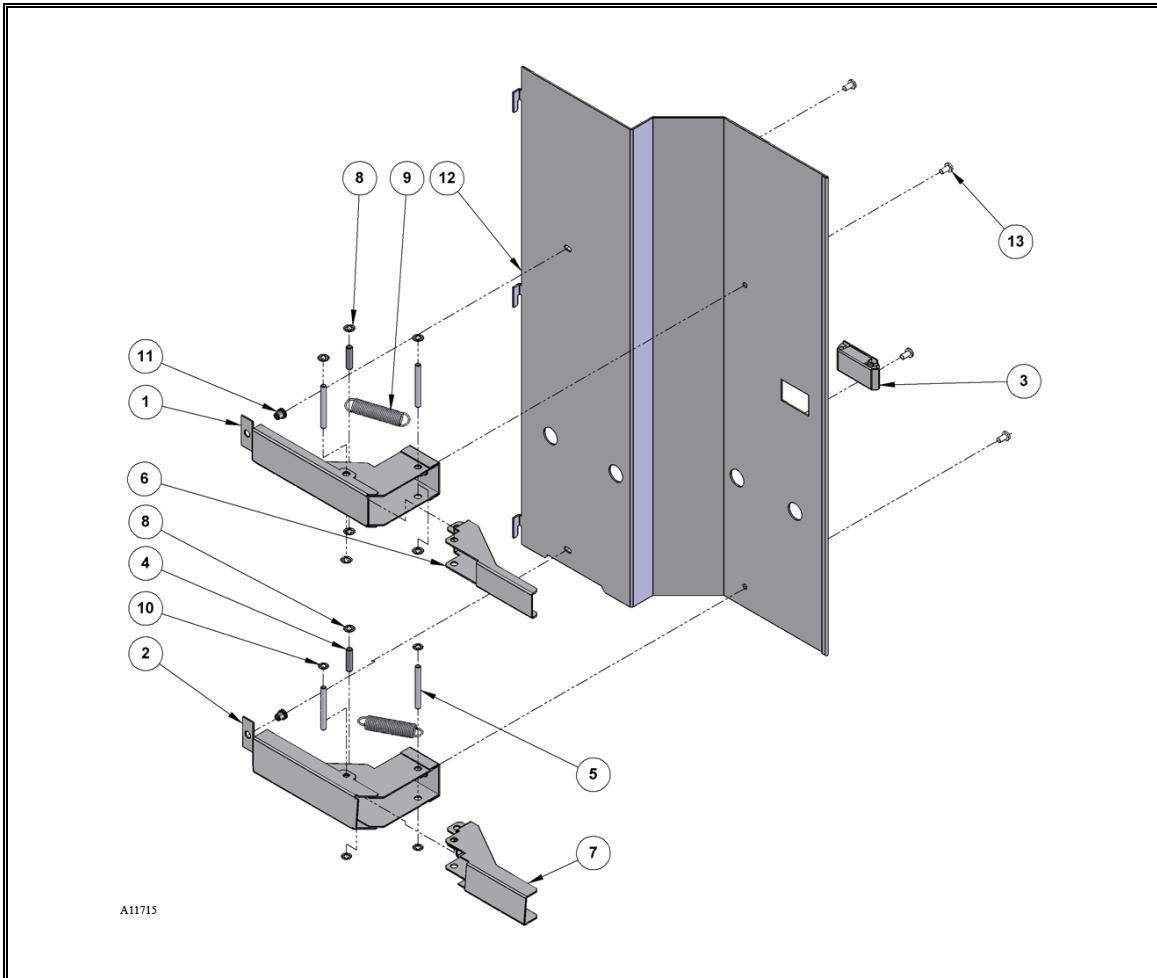
CUP HOUSING ASSEMBLY (FB & FD)



CUP HOUSING ASSEMBLY (FB & FD) PARTS LIST

ITEM NO.	PART NUMBER	QTY	DESCRIPTION
1	4050180	4	8-18 X 1/2 PHIL PH TEK
2	4209563	2	M4 X 0.7 – HX - NUT
3	4214432	1	CUP STAND BRACKET/ RIGHT
4	4214432.001	1	CUP STAND BRACKET/ LEFT
5	4214476	1	CUP STAND
6	4214496	6	RUBBER BUMPER
7	4214515	1	CUP HOUSING
8	4214516	1	CUP HOUSING DOOR
9	4214536	2	EYE SENSOR LENS
10	4214657	1	R/H CUP HOUSING DOOR GUIDE
11	4214781	1	L/H CUP HOUSING DOOR GUIDE
12	4215514	2	CAP MOUNT
13	8800466	2	4-24 X 3/8 PHIL PH TYPE-AB
14	4206767	4	STAND OFF
15	4050517	4	4-40 HEX NUT, STYLE 2
16	4214494	1	CUP SENSOR – RECEIVER
17	4214495	1	CUP SENSOR – SENDER
18	4214549	1	TILT BRACKET PIN
19	4214616	2	SENSOR BRACKET
20	4215197	1	CUP DAMPER
21	4215198	1	CUP DAMPER MOUNT
22	4215239	2	5MM PUSH NUT
23	4215561.037	2	SNAP RIVET/ BLACK 3/16
24	4215561.039	4	SNAP RIVET/ BLACK 3/16
25	8800027	4	4-40 X 5/8 PHIL PH MS

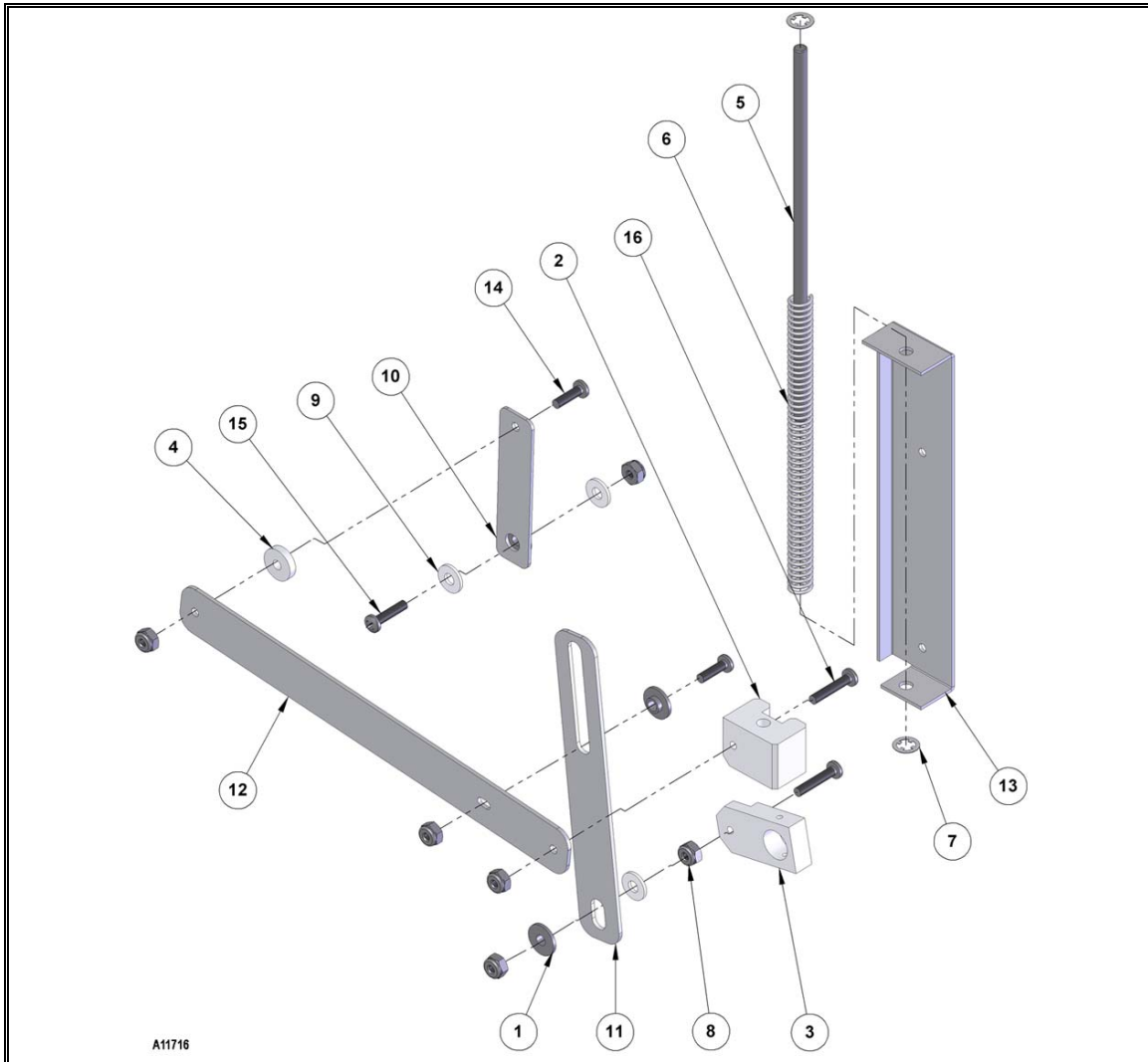
CUP COMPARTMENT DOOR ASSEMBLY (FB & FD)



CUP COMPARTMENT DOOR ASSEMBLY (FB & FD) PARTS LIST

ITEM NO.	PART NUMBER	QTY	DESCRIPTION
1	1216803	1	TOP CUP PUSHER WELD
2	1216805	1	BOTTOM CUP PUSHER WELD
3	4213712	1	SLAM LATCH
4	4214546	2	DROP UNIT ARM PIN
5	4214548	4	CUP PUSHER PIN
6	4214645	1	TOP CUP PUSHER
7	4214648	1	BOTTOM CUP PUSHER
8	4214878	4	6MM PUSH NUT
9	4214907	2	CUP COMPARTMENT DOOR SPRING
10	4215239	8	5MM PUSH NUT
11	4215383	4	10-24 HEX NUT INSERT
12	4215437	1	DROP UNIT DOOR
13	4216080	4	10-24 X 3/8 PHIL PH MS SS

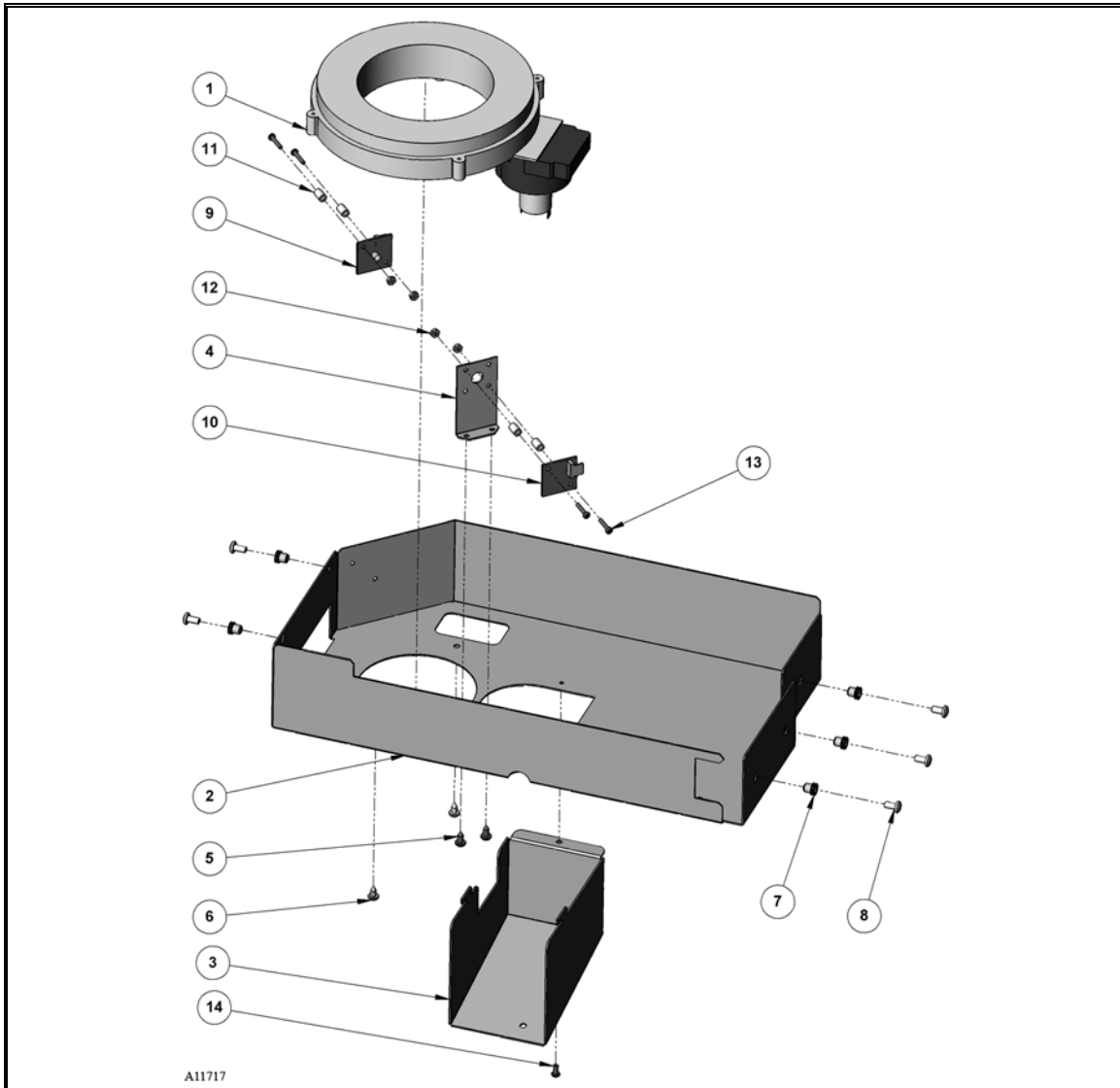
DOOR LINKAGE ASSEMBLY (FB & FD)



DOOR LINKAGE ASSEMBLY (FB & FD) PARTS LIST

ITEM NO.	PART NUMBER	QTY	DESCRIPTION
1	4030100	2	SPACER BUSHING
2	4214530	1	AUTO DOOR ARM MOUNT
3	4214533	1	AUTO DOOR CRANK
4	4214539	1	WASHER NYLON .50D X .16ID X .072
5	4214547	1	AUTO DOOR ARM BRACKET PIN
6	4214908	1	SPRING, DOOR LIFT
7	4215239	2	5MM RETAINER
8	4217154	6	#6 HEX NUT W/NYLON WASHER
9	8801011	3	#8 FLAT WASHER
10	4216387	1	AUTO DOOR LINK
11	4216389	1	AUTO DOOR SLIDE LINK
12	4216388	1	AUTO DOOR ARM
13	4214663	1	LIFT DOOR SPRING BRACKET
14	4050113	2	6-32X1/2" PHIL PHMS ZP
15	4217152	1	6-32X5/8" PHIL PHMS ZP
16	4217153	2	6-32X3/4" PHIL PHMS ZP

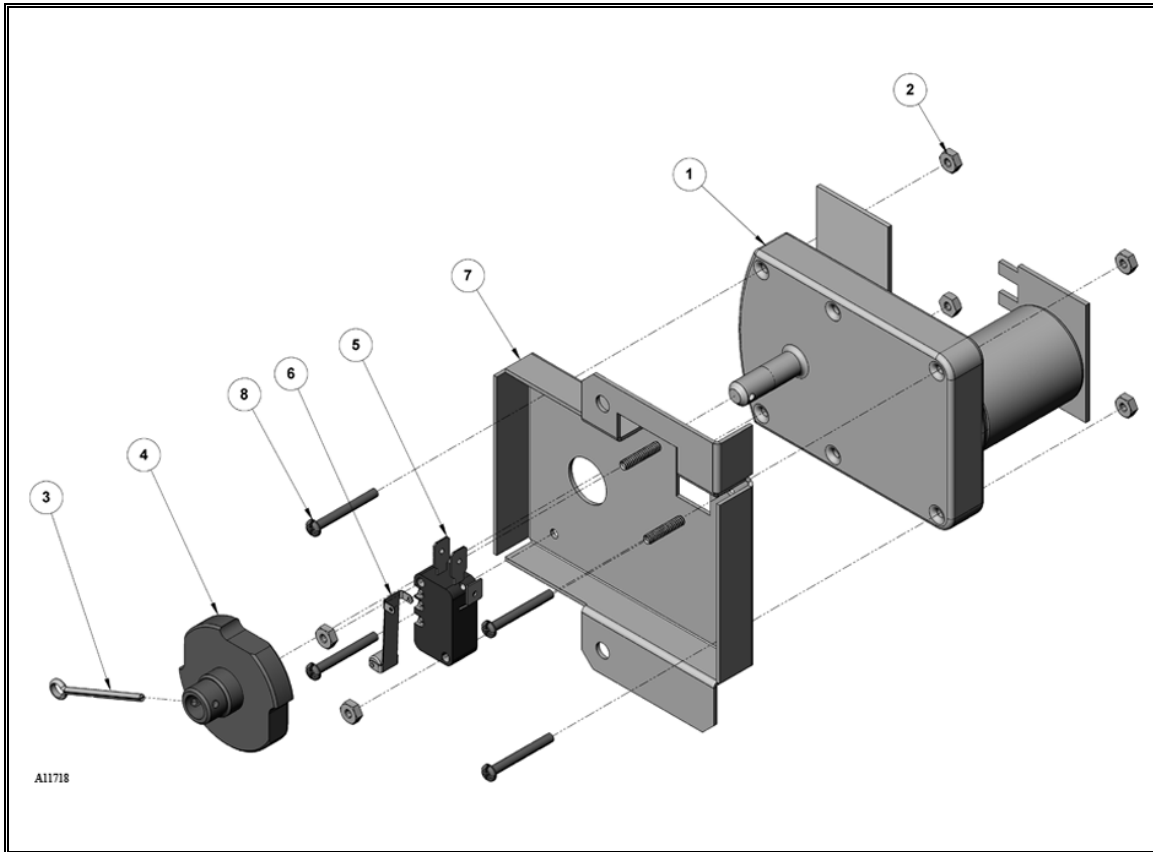
DROP UNIT SUB-ASSEMBLY (FB & FD)



DROP UNIT SUB-ASSEMBLY (FB & FD) PARTS LIST

ITEM NO.	PART NUMBER	QTY	DESCRIPTION
1	1214423.001	1	CUP RING ASSY (RED CAM)
	1214423.002		CUP RING ASSY (GRAY CAM) (SPECIFY CUP SIZE)
2	4216795	1	DROP UNIT BOX
3	4216550	1	DROP UNIT MOTOR COVER
4	4214653	1	SENSOR MOUNT
5	4050239	2	8-32 X 3/8 PHIL PH TY-T
6	4216801	2	#8 PHIL PAN HD PLASTITE SCREW
7	4215383	5	10-24 HEX NUT INSERT
8	4216080	5	10-24 X 3/8 PHIL PH MS SS
9	4214495	1	CUP SENSOR – SENDER
10	4214494	1	CUP SENSOR – RECEIVER
11	4206767	4	STAND OFF
12	4050517	4	4-40 HEX NUT, STYLE 2
13	8800027	4	4-40 X 5/8 PHIL PH MS
14	8800763	1	8-32 X 5/8 PHIL TYP 'T' SCREW

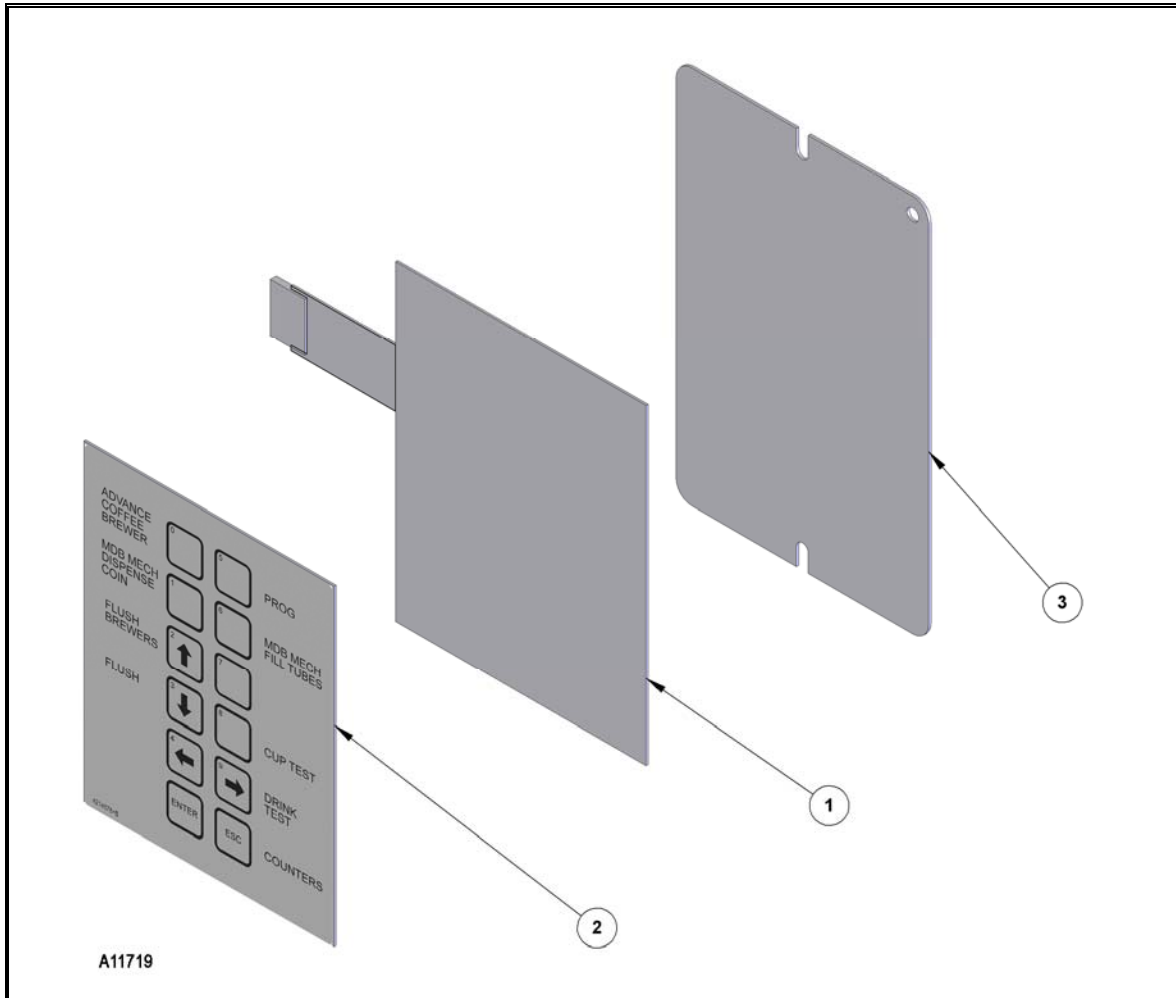
DOOR LIFT MOTOR ASSEMBLY (FB & FD)



DOOR LIFT MOTOR ASSEMBLY (FB & FD) PARTS LIST

ITEM NO.	PART NUMBER	QTY	DESCRIPTION
1	4216549	1	AUTO DOOR MOTOR
2	4050517	6	4-40 HEX NUT, STYLE 2
3	4213067	1	5/64 X 1 1/2 COTTER PIN
4	4214531	1	MICRO SWITCH CAM
5	4214553	1	MICRO SWITCH - BREWER
6	4214561	1	ACTUATOR ARM LONG BREWER
7	4214664	1	AUTO DOOR MOTOR MOUNT STAKE
8	8800031	4	4-40 X 1 PHIL PH MS

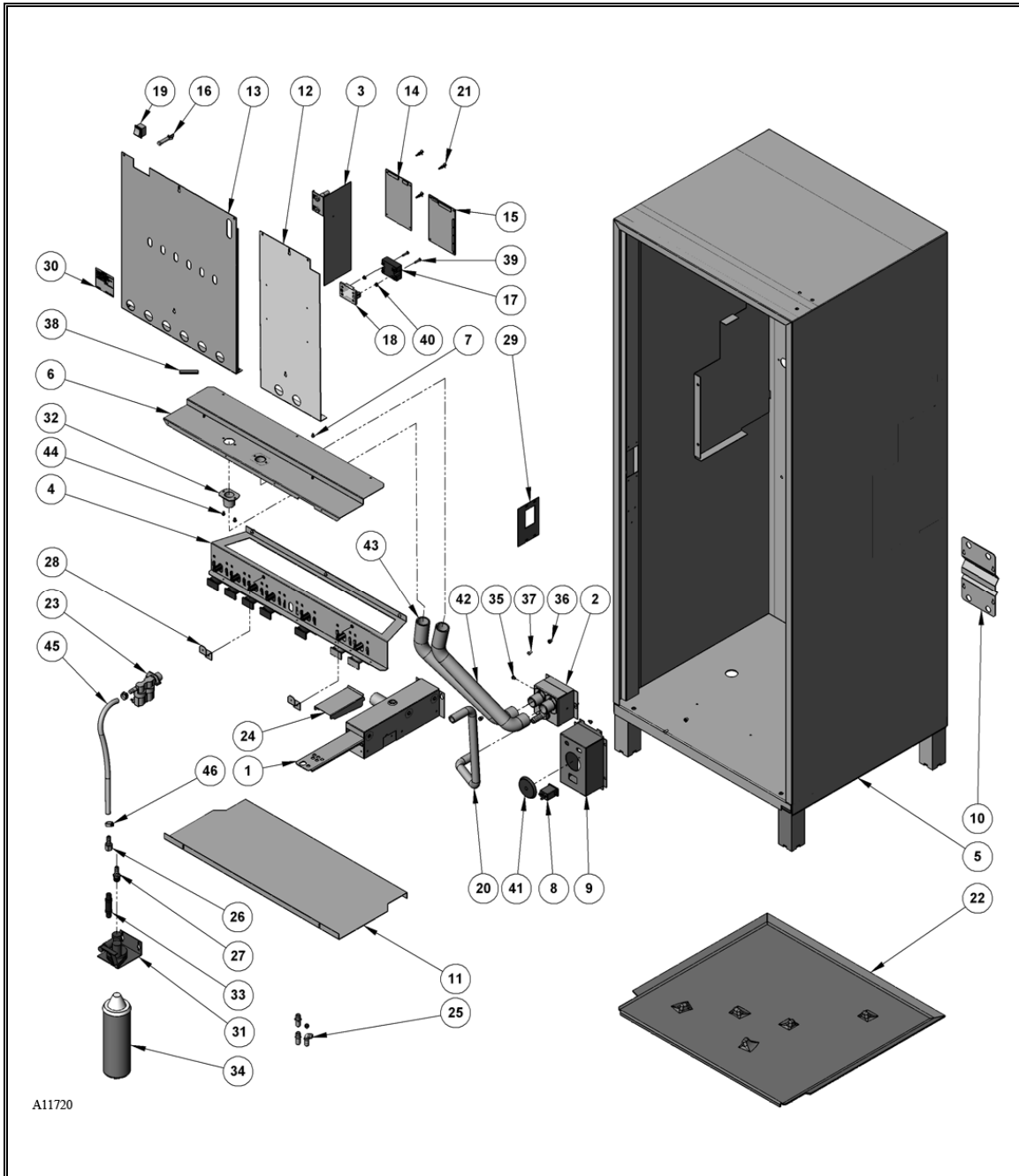
INTERNAL KEYPAD ASSEMBLY (FB & FD)



INTERNAL KEYPAD ASSEMBLY (FB & FD) PARTS LIST

ITEM NO.	PART NUMBER	QTY	DESCRIPTION
1	4214492	1	KEYPAD CIRCUIT ONLY
2	4214578	1	KEYPAD DECAL
3	4215102	1	KEYPAD MOUNTING PLATE

CABINET ASSEMBLY-FB



A11720

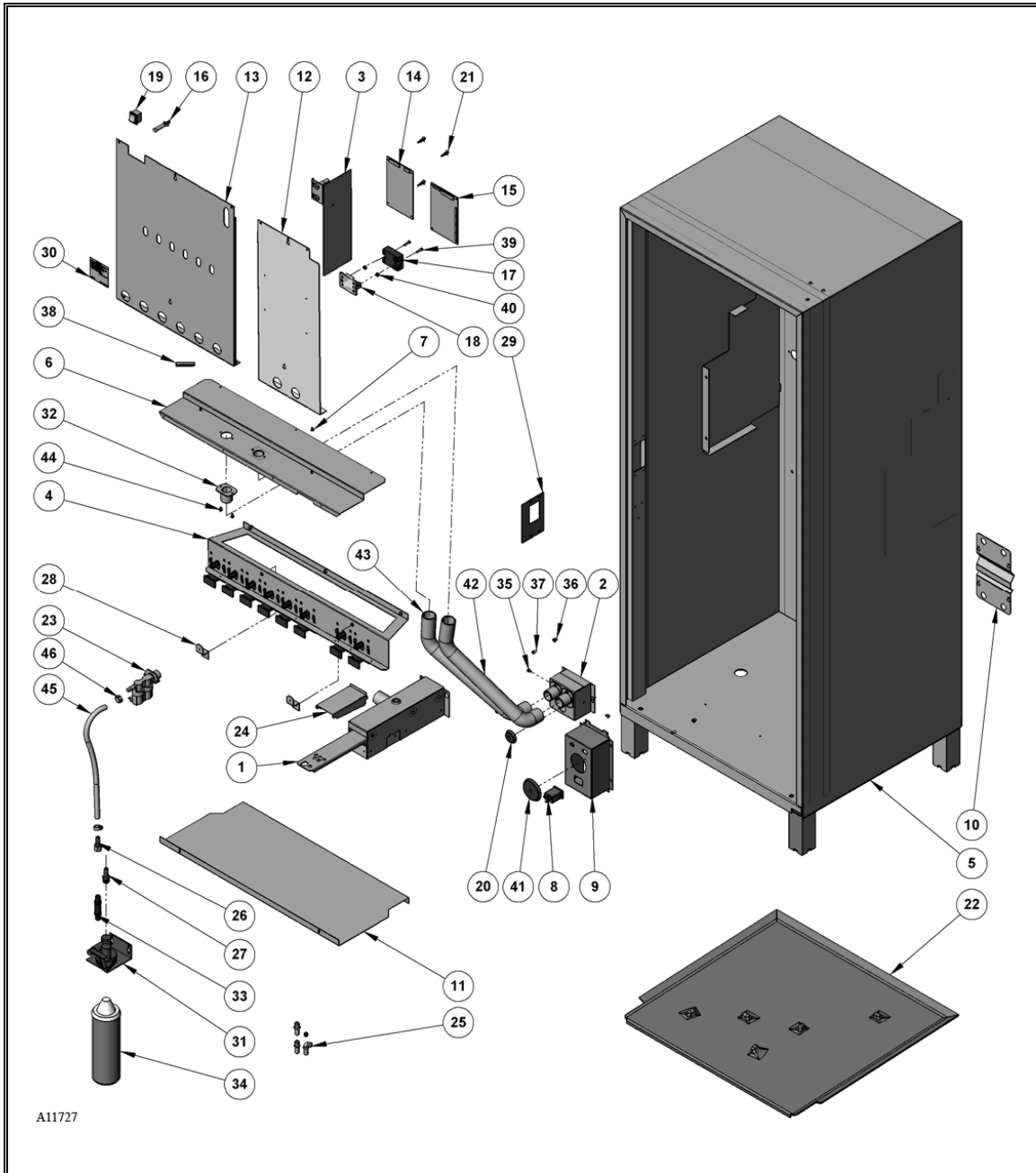
CABINET ASSEMBLY-FB PARTS LIST

ITEM NO.	PART NUMBER	FB	DESCRIPTION
1	1216723	1	DISPENSER ARM ASSEMBLY
2	1216826	1	EXHAUST FAN HOUSING ASSEMBLY
3	1216827	1	FUSER PANEL ASSEMBLY
4	(SEE PAGE #28)	1	INGREDIENT MOTOR PANEL ASSEMBLY
5	1216922	1	CABINET WELD / COFFEE
6	1216933	1	CANISTER SHELF STAKE ASSEMBLY
7	4050239	6	8-32 x 3/8 PHIL PH TYP -T
8	4212490.001	1	RFI FILTER IEC SOCKET 10A
9	4213281	1	CONNECTION BOX RAW
10	4213448	1	CONNECTION BOX COVER
11	4214242	1	WHIPPER BASE PLATE
12	4214323	1	RIGHT HAND BOILER COVER
13	4214324	1	LEFT HAND BOILER COVER
14	4214336	1	110V PSU DC 100W STU/VIC 220V PSU DC 100W STU/VIC
			<i>SELECT VIA LINK</i>
15	4214335	1	DC RIO BOARD
16	4214337	1	BOILER NEON VIC/PAC AMBER
17	4214339	1	SS RELAY 240V
18	4214340	1	SSR TERMINAL COVER
19	4214474	1	SWITCH ROCKER ON / OFF
20	4214488	AR	BLACK HOSE 16mm I/D
21	4214502	8	BOARD SUPPORT LONG
22	4216893	1	CABINET BASE COVER
23	4214540	1	24DC WATER INLET VALVE
24	4214544	1	DISP ARM SHROUD STUDIO
25	4214945	1	ELBOW KIT
26	4215205	1	FIP ADAPTER 3/8 X 3/8
27	4215233	1	MIP ADAPTER 3/8 X 3/8
28	4215404	2	BOILER PLATE MOUNT
29	4215405	1	LATCH PLATE
30	4215671	1	FUSE WARNING LABEL
31	4216364	1	EVERPURE FILTER HEAD QL3B
32	8346771	2	HOSE OUTLET - LONG
33	8382240	1	VALVE - DOUBLE CHECK
34	4216365	1	EVERPURE FILTER CARTRIDGE
35	4215561.036	2	SNAP RIVET / BLACK 3/16
36	4215383	16	10-24 HEX NUT INSERT
37	4216080	18	10-24 X 3/8 PHIL PH MS SS
38	4025735.900	AR	TRIM - LOCK BLACK
39	4050262	2	8-32 X PHIL PH MS
40	8800956	2	8-32 HEX NUT W/ETW
41	7250135.007	1	HOLE PLUG - 21/4"
42	8342969.5	1	TUBE - FLEX 17"
43	8342969.6	1	TUBE - FLEX 19"
44	4215561.037	4	SNAP RIVET / BLACK 3/16
45	4215517	1	PIPE - 3/8 ID X 5/8 OD SILICON BRAIDED TUBE (16")
46	4215529	2	5/8" HOSE CLAMP

(LIST OF THE PARTS NOT SHOWN)

47	4215611	1	CUP DROP HARNESS
48	4215617	1	EXTERNAL KEYPAD HARNESS
49	4216081	1	MAIN HARNESS COFFEE

CABINET ASSEMBLY-FD



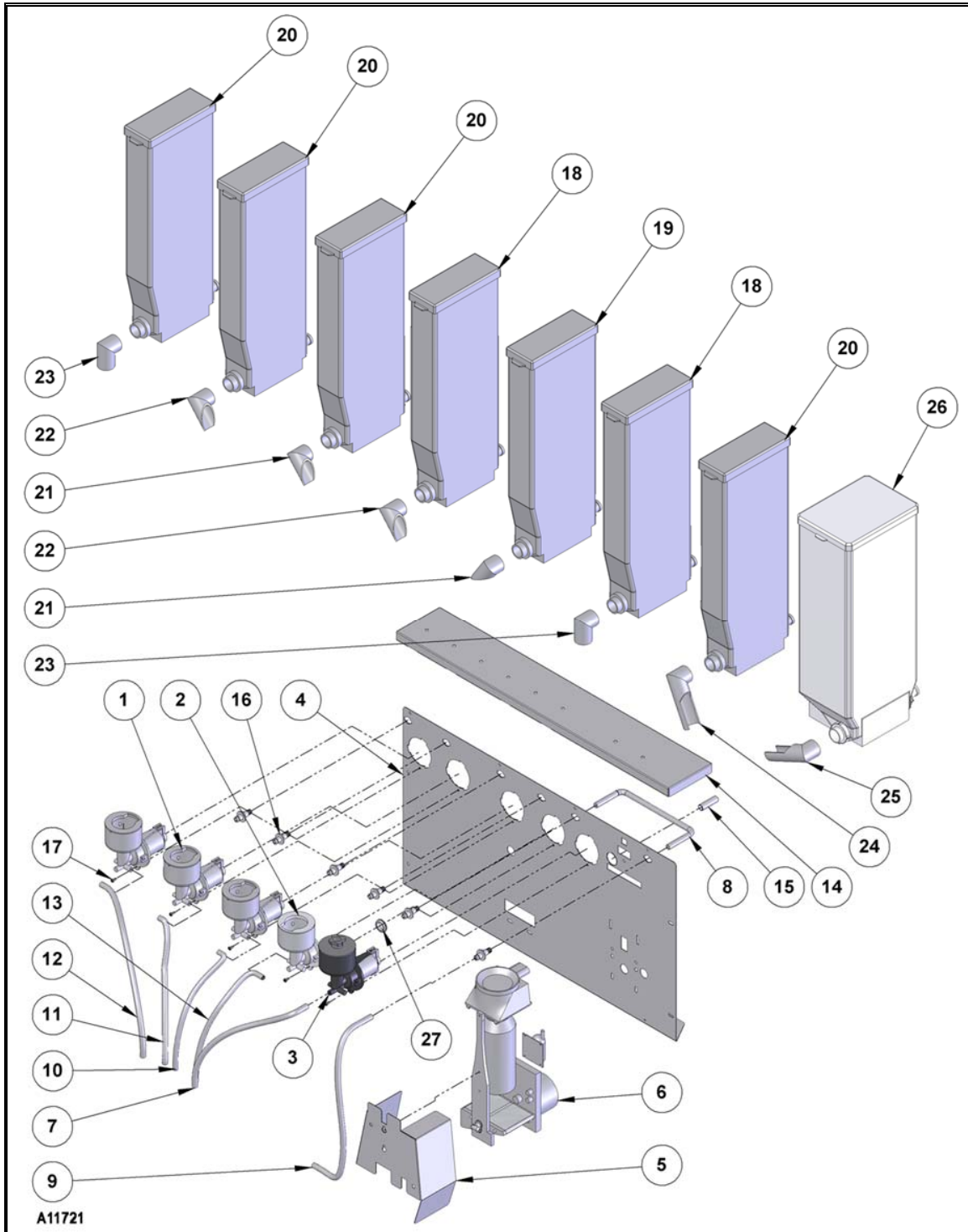
CABINET ASSEMBLY-FD PARTS LIST

ITEM NO.	PART NUMBER	FD	DESCRIPTION
1	1216723	1	DISPENSER ARM ASSEMBLY
2	1216826	1	EXHAUST FAN HOUSING ASSEMBLY
3	1216827	1	FUSER PANEL ASSEMBLY
4	(SEE PAG#28)	1	INGREDIENT MOTOR PANEL ASSEMBLY
5	1216922	1	CABINET WELD / COFFEE
6	1216933	1	CANISTER SHELF STAKE ASSEMBLY
7	4050239	6	8-32 x 3/8 PHIL PH TYP -T
8	4212490.001	1	RFI FILTER IEC SOCKET 10A
9	4213281	1	CONNECTION BOX RAW
10	4213448	1	CONNECTION BOX COVER
11	4214242	1	WHIPPER BASE PLATE
12	4214323	1	RIGHT HAND BOILER COVER
13	4214324	1	LEFT HAND BOILER COVER
14	4214336	1	110V PSU DC 100W STU/VIC 220V PSU DC 100W STU/VIC
			<i>SELECT VIA LINK</i>
15	4214335	1	DC RIO BOARD
16	4214337	1	BOILER NEON VIC/PAC AMBER
17	4214339	1	SS RELAY 240V
18	4214340	1	SSR TERMINAL COVER
19	4214474	1	SWITCH ROCKER ON / OFF
20	7250135.012	AR	HOLE PLUG 1 1/8
21	4214502	4	BOARD SUPPORT LONG
22	4216893	1	CABINET BASE COVER
23	4214540	1	24DC WATER INLET VALVE
24	4214544	1	DISPENSE SHROUD
25	4214945	1	ELBOW KIT
26	4215205	1	FIP ADAPTER 3/8 X 3/8
27	4215233	1	MIP ADAPTER 3/8 X 3/8
28	4215404	2	BOILER PLATE MOUNT
29	4215405	1	LATCH PLATE
30	4215671	1	FUSE WARNING LABEL
31	4216364	1	EVERPURE FILTER HEAD QL3B
32	8346771	2	HOSE OUTLET - LONG
33	8382240	1	VALVE - DOUBLE CHECK
34	4216365	1	EVERPURE FILTER CARTRIDGE
35	4215561.036	2	SNAP RIVET / BLACK 3/16
36	4215383	16	10-24 HEX NUT INSERT
37	4216080	18	10-24 X 3/8 PHIL PH MS SS
38	4025735.900	AR	TRIM - LOCK BLACK
39	4050262	2	8-32 X PHIL PH MS
40	8800956	2	8-32 HEX NUT W/ETW
41	7250135.007	1	HOLE PLUG - 21/4"
42	8342969.5	1	TUBE - FLEX 17"
43	8342969.6	1	TUBE - FLEX 19"
44	4215561.037	4	SNAP RIVET / BLACK 3/16
45	4215517	1	PIPE - 3/8 ID X 5/8 OD SILICON BRAIDED TUBE (16")
46	4215529	2	5/8" HOSE CLAMP

(LIST OF THE PARTS NOT SHOWN)

47	4215611	1	CUP DROP HARNESS
48	4215617	1	EXTERNAL KEYPAD HARNESS
49	4216081	1	MAIN HARNESS COFFEE

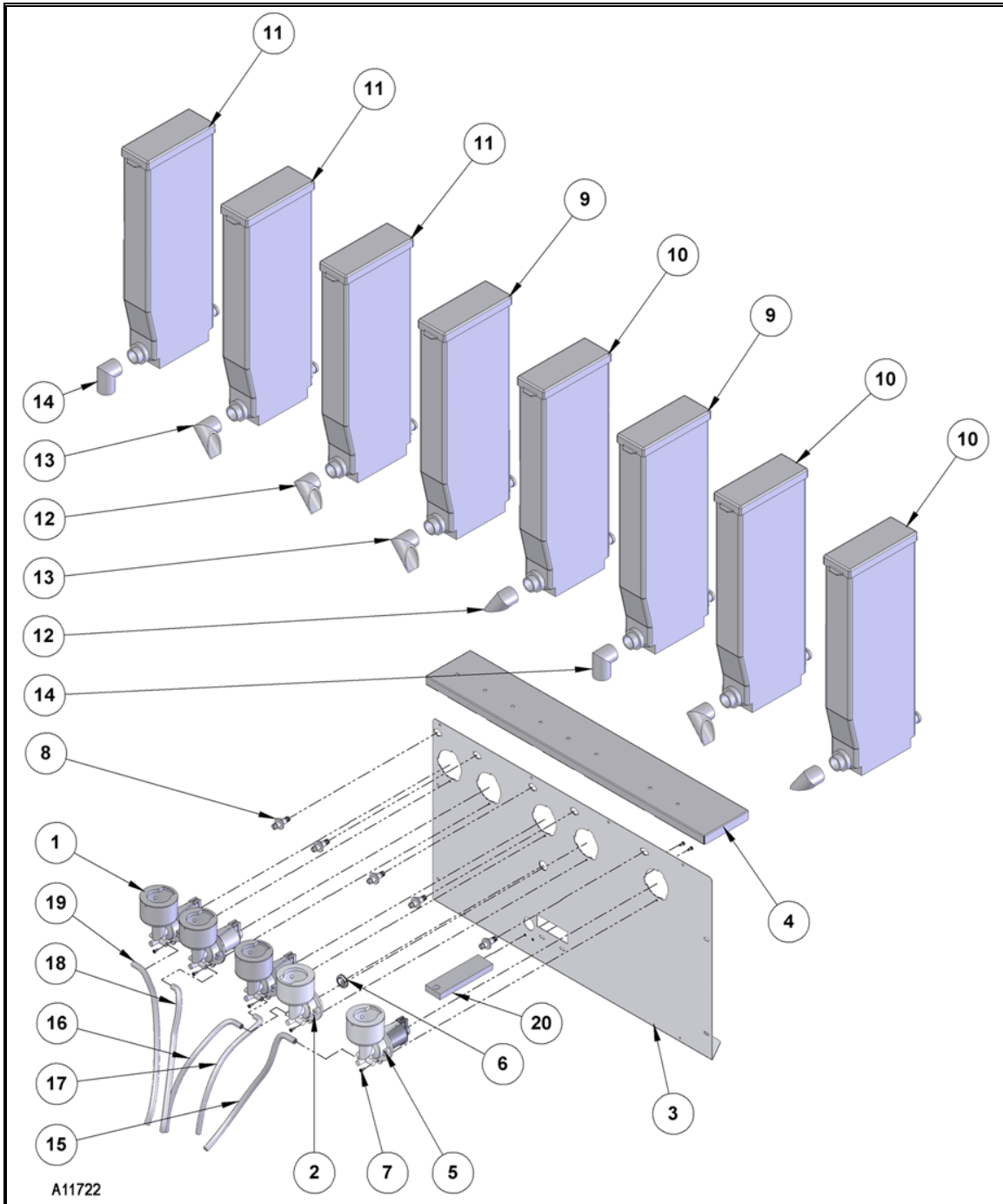
FRESH BREW INSTALLATION



FRESH BREW INSTALLATION PARTS LIST

ITEM NO.	PART NUMBER	FB	DESCRIPTION
1	(SEE PAGE #24)	3	GRAY WHIPPER MOTOR ASSEMBLY
2	(SEE PAGE #25)	1	BEIGE WHIPPER MOTOR ASSEMBLY
3	(SEE PAGE #24)	1	BROWN WHIPPER MOTOR ASSEMBLY
4	4214316	1	WHIPPER BREWER MTG BRACKET
5	4214394	1	COFFEE CHUTE
6	(SEE PAGE #29)	1	COFFEE BREWER 12oz
7	4214442.004	1	COFFEE BOWL TO ARM 14"
8	4214442.005	1	COFFEE PIPE TO PIPE 12"
9	4214442.006	1	COFFEE BREWER TO PIPE 14"
10	4214442.007	1	M&S BOWL TO ARM 13 1/2"
11	4214442.008	1	PRE-MIX BOWL TO ARM 13 1/2"
12	4214442.009	1	CHOCOLATE BOWL TO ARM 16"
13	4214442.010	1	TEA BOWL TO ARM 13"
14	4214318	1	EXTRACT DUCT/FRESH BREW
15	4214944	1	BREWER SPOUT
16	4214378	6	WATER INLET ADAPTOR/GRAY
17	8800763	5	8-32 X 5/16" PHIL PH TYP T
18	4214368.001	2	CANISTER 64mm WIRE W/AGITATOR
19	4214368	1	CANISTER 64mm WIRE AUGER
20	4214369	4	CANISTER 64mm PLASTIC AUGER
21	4214371	2	R/H CHUTE DS091
22	4214370	2	L/H CHUTE EXTENDED
23	4214372	2	INGREDIENT CHUTE CENTRAL
24	4214576	1	LONG CHUTE LH MI
25	4214581	1	R/H LONG CHUTE
26	4214585	1	COFFEE CANISTER LH - FB
27	4214451	1	GROMMET 20 mm

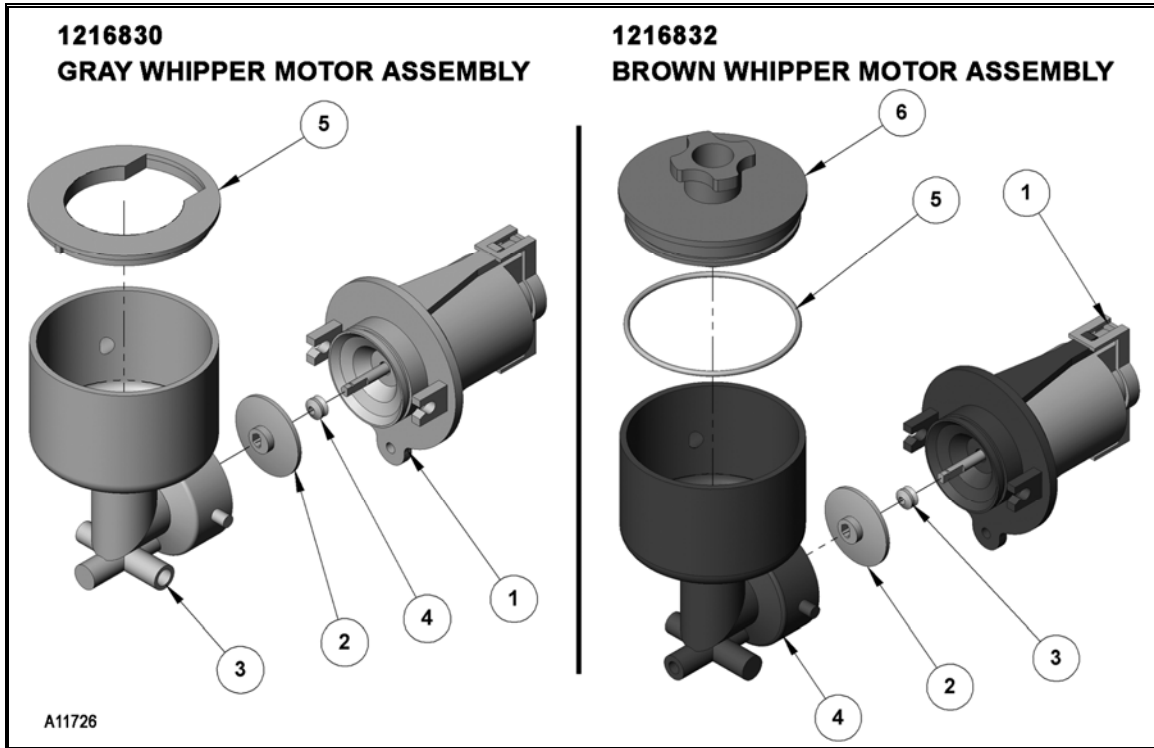
FREEZE DRIED INSTALLATION



FREEZE DRIED INSTALLATION PARTS LIST

ITEM NO.	PART NUMBER	FD	DESCRIPTION
1	(SEE PAGE #24)	3	GRAY WHIPPER MOTOR ASSEMBLY
2	(SEE PAGE #25)	1	BEIGE WHIPPER MOTOR ASSEMBLY
3	4214906	1	WHIPPER MOUNTING PANEL
4	4214318	1	EXTRACT DUCT
5	(SEE PAGE #25)	1	BEIGE WHIPPER MOTOR ASSEMBLY
6	4214451	1	GROMMET 20 mm
7	8800763	5	8-32X5/16 PHIL PH TYP
8	4214378	7	WATER INLET ADAPTER
9	4214368.001	2	CANISTER 64mm WIRE W/AGITATOR
10	4214368	3	CANISTER 64mm WIRE AUGER
11	4214369	3	CANISTER 64mm PLASTIC AUGER
12	4214371	3	R/H CHUTE DS091
13	4214370	3	L/H CHUTE EXTENDED
14	4214372	2	INGREDIENT CHUTE CENTRAL
15	4214442.004	1	COFFEE BOWL TO ARM 14"
16	4214442.010	1	TEA BOWL TO ARM 13"
17	4214442.007	1	M&S BOWL TO ARM 13.5"
18	4214442.008	1	PRE-MIX BOWL TO ARM 13 1/2"
19	4214442.009	1	CHOCOLATE BOWL TO ARM 16"
20	4215013	1	SENSOR BRACKET

WHIPPER MOTOR ASSEMBLIES

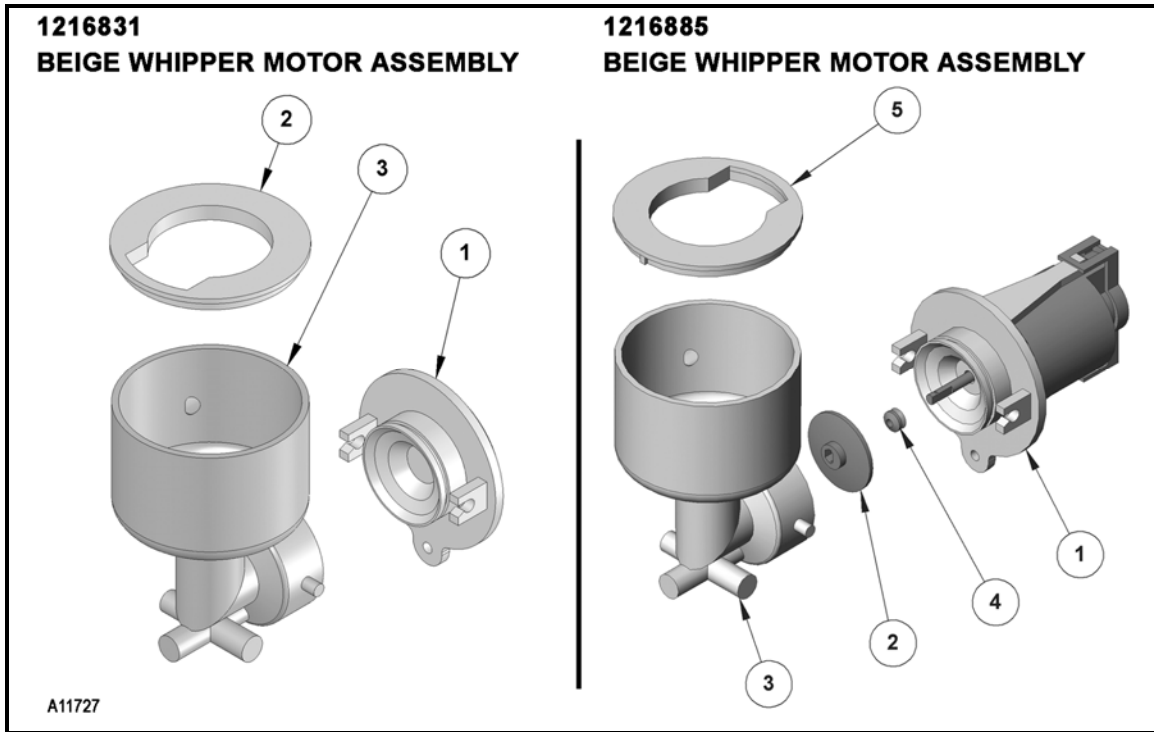


1216830 - GRAY WHIPPER MOTOR ASSEMBLY PARTS LIST

ITEM NO.	PART NUMBER	QTY	DESCRIPTION
1	1217354	1	WHIPPER MOTOR ASSEMBLY-GRAY
2	4214445	1	IMPELLER DISK GRAY
3	4214446	1	WHIPPER CHAMBER GRAY
4	4214449	1	WHIPPER SEAL
5	4214447	1	STEAM TRAP GRAY

1216832 - BROWN WHIPPER MOTOR ASSEMBLY PARTS LIST

ITEM NO.	PART NUMBER	QTY	DESCRIPTION
1	1217534.002	1	WHIPPER MOTOR ASSEMBLY-BROWN
2	4214445	1	IMPELLOR DISK GREY
3	4214449	1	WHIPPER SEAL
4	4214570	1	WHIPPER CHAMBER BROWN
5	4214437	1	O Ring 2mm X 54mm
6	4214575	1	COFFEE CHAMBER LID



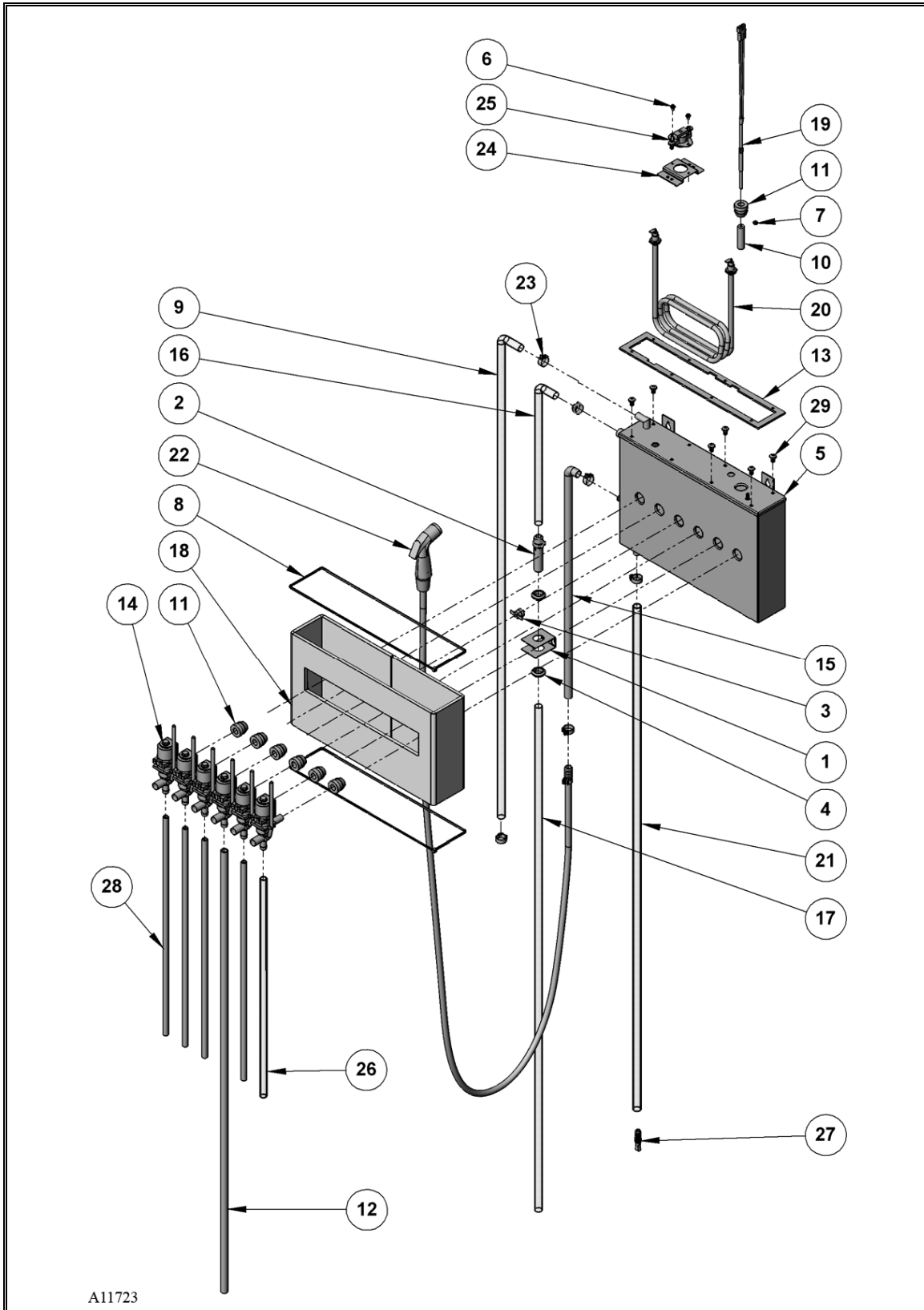
1216831 - BEIGE WHIPPER MOTOR ASSEMBLY (BLIND) PARTS LIST

ITEM NO.	PART NUMBER	QTY	DESCRIPTION
1	4214507	1	BLIND WHIPPER BASE BEIGE
2	4214461	1	STEAM TRAP BEIGE
3	4214462	1	WHIPPER CHAMBER GREY

1216885 - BEIGE WHIPPER MOTOR ASSEMBLY PARTS LIST

ITEM NO.	PART NUMBER	QTY	DESCRIPTION
1	1217354.001	1	WHIPPER MOTOR ASSEMBLY-BEIGE
2	4214445	1	IMPELLER DISK GRAY
3	4214462	1	WHIPPER CHAMBER BEIGE
4	4214449	1	WHIPPER SEAL
5	4214461	1	STEAM TRAP BEIGE

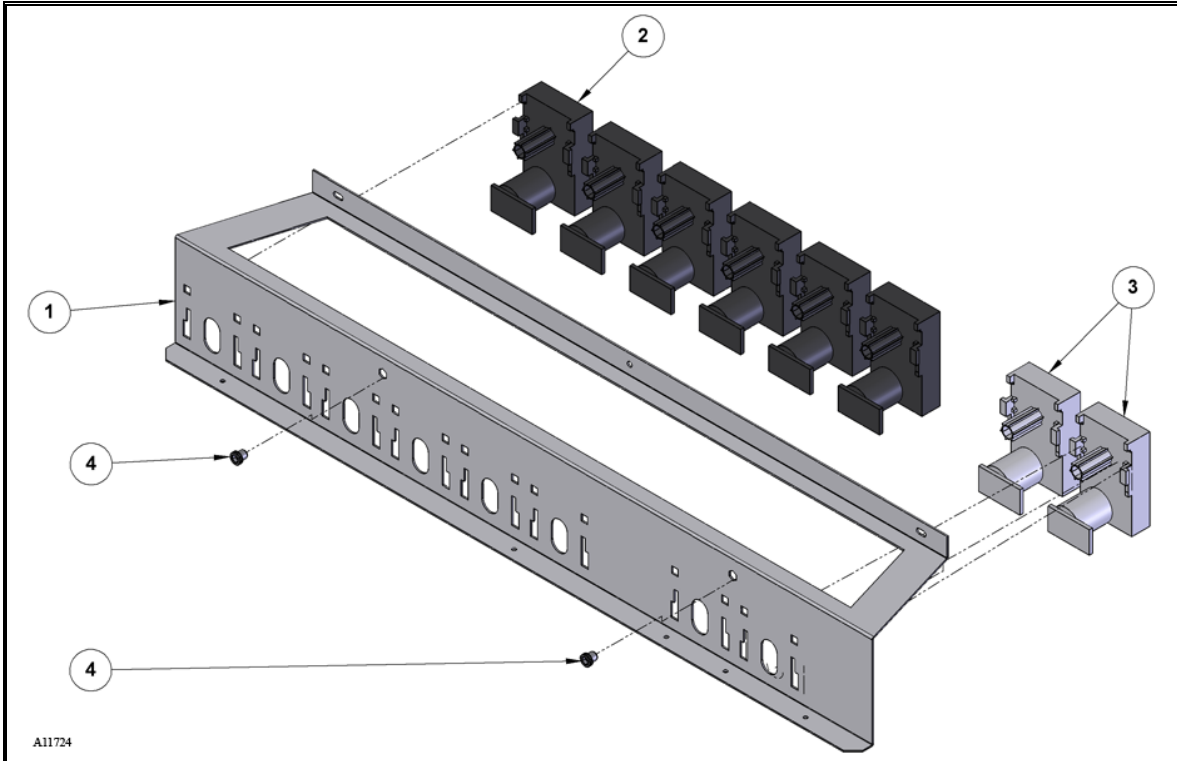
WATER HEATER/BOILER ASSEMBLY (FB & FD)



WATER HEATER/BOILER ASSEMBLY (FB & FD) PARTS LIST

ITEM NO.	PART NUMBER	FB	FD	DESCRIPTION
1	4214334	1	1	THERMAL CUTOUT BRACKET
2	4214434	1	1	CUT OUT TUBE
3	4214475	1	1	THERMAL CUTOUT 85°
4	4214551	2	2	GROMMET 20mm
5	4214855	1	1	WATER HEATER TANK
6	4050420	2	2	8-18X1/4 PHIL HWH TY
7	4209563	1	1	M4X0.7-HX-NUT
8	4214419	2	2	CABLE TIE FOR BOILERS
9	4215517.001	1	1	3/8 ID X 5/8 OD PVC BRAIDED TUBE (44")
10	4214429.001	1	1	SIL TUBE 6mmID X 3mmW X .17 FT
11	4214438	7	7	SWAGED PORT VALVE SEAL
12	4214442.003	1	1	HOT WATER VALVE HOSE -35"
13	4214453	1	1	BOILER SEAL BUDGET VEND
14	4214456	6	6	DISPENSE VALVE 8mm 24VDC
15	4214472	1	1	TUBE 9 ID X 15 OD TO SPRAY HOSE(12")
16	4214473	1	1	TUBE 11 IDX 18 OD OVERFLOW (12")
17	4214473.001	1	1	TUBE 9 IDX 15 OD OVERFLOW (44")
18	4214477	1	1	BOILER INSULATION FOAM
19	4214491	1	1	BOILER PROBE THERMOSTATIC
20	4214504	1	1	HEATER ELEMENT 110V 1.1KW
	4214504.001			HEATER ELEMENT 220V 2.3 KW
21	4214537.002	1	1	DRAIN HOSE 44"
22	4215215	1	1	SPRAY HOSE 80"
23	4215530	4	4	1/2" HOSE CLAMP
24	4215657	1	1	HIGH TEMP MOUNTING BRACKET
25	4215698	1	1	HIGH TEMP SENSOR
26	4214537.001	1	-	(ID 8 MM X OD 12 MM) VALVE TO BREWER-20"
	4214442.011	-	1	(ID 6 MM X OD 10 MM) VALVE TO COFFEE-20"
27	4214482	1	1	HOSE BUNG – DRAIN TUBE
28	4214442.001	4	4	VALVE HOSE 19" (6 MM X 10 MM)
29	4216579	8	8	M4 - .7 X 10 SS PHIL PH MS

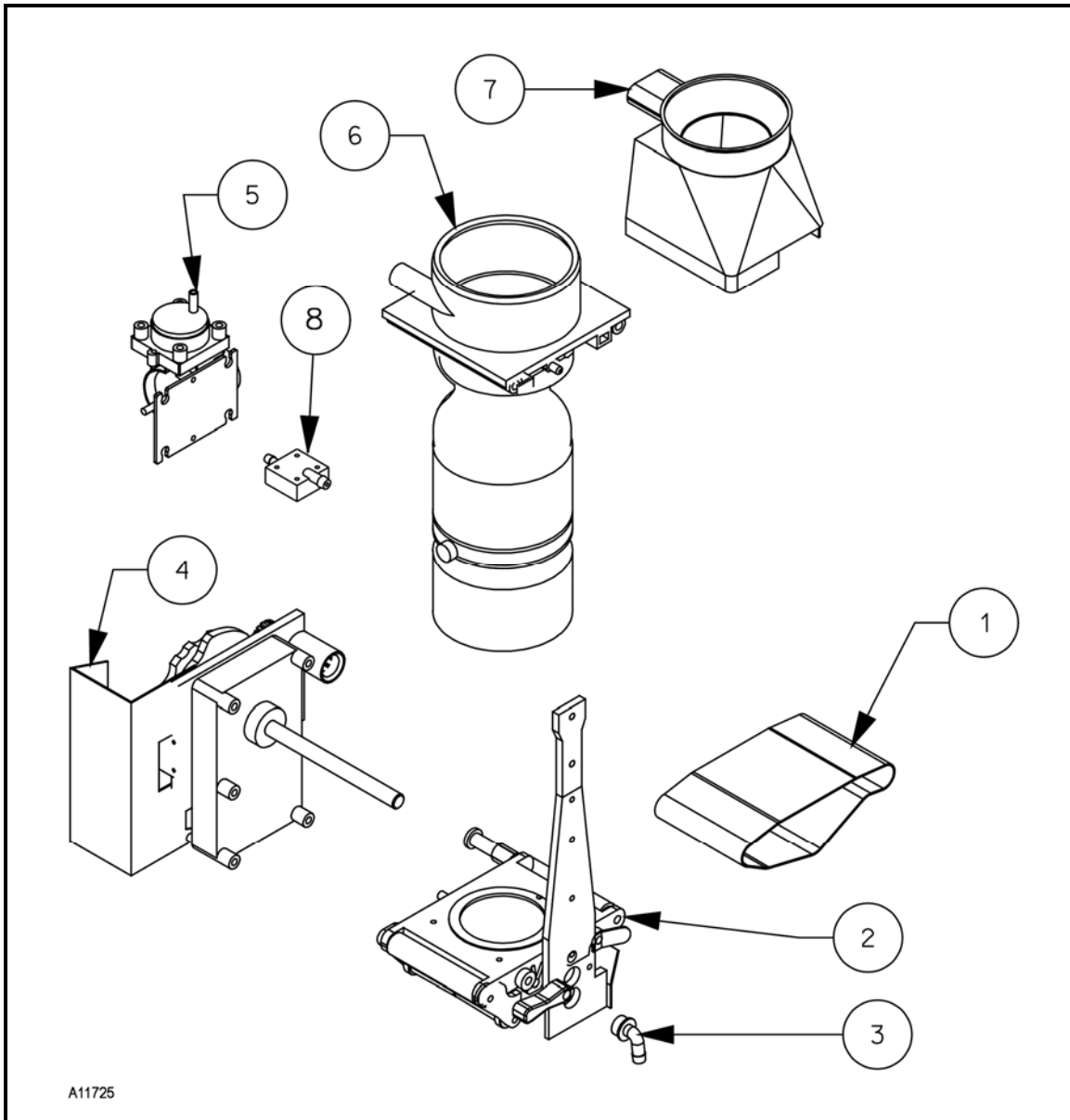
INGREDIENT MOTOR PANEL ASSEMBLY



INGREDIENT MOTOR PANEL ASSEMBLY PARTS LIST

ITEM NO.	PART NUMBER	FB	FD	DESCRIPTION
1	4214319	1	1	INGREDIENT MOTOR SHELF
2	4214364	6	6	INGREDIENT MOTOR 120 RPM
3	4214579	2	-	INGREDIENT MOTOR 140 RPM
	4214364	-	2	INGREDIENT MOTOR 120 RPM
4	44215383	2	2	10-24 HEX NUT INSERT

12 OZ COFFEE BREWER SPARE PARTS (FB ONLY)



12 OZ COFFEE BREWER SPARE PARTS LIST

ITEM NO.	PART NUMBER	FB	DESCRIPTION
1	4214580	1	COFFEE BREWER BELT
2	4215638	1	12 OZ CARIAGE ASSEMBLY
3	4215639	1	TEA/COFFEE REDUCING OUTLET
4	4215640	1	DRIVE MOTOR ASSEMBLY 12 OZ COFFEE
5	4215641	1	AIR PUMP
6	4215642	1	BREWERPOT ASSEMBLY 12 OZ COFFEE
7	4215643	1	MIXING BOWL COVER & VENT
8	4216684	1	PRESSURE SWITCH - BREWER

NOTES

The contents of this publication are presented for informational purposes only, and while every effort has been made to ensure their accuracy, they are not to be construed as warranties or guarantees, express or implied, regarding the products or services described herein or their use or applicability. We reserve the right to modify or improve the designs or specifications of such products at any time without notice.

VendNet™
 165 North 10th Street
 Waukee, Iowa 50263
 United States of America



	& Canada	International
	833-4411	(515) 274-3641
Parts	(888) 259-9965	
Email	vendnet@vendnetusa.com	
Web Site	www.vendnetusa.com	