



CAN/BOTTLE CONVERTIBLE CB700



MODEL 3151

**PARTS
MANUAL**

TABLE OF CONTENTS

Order Information	2
Minimum Order.....	2
Payment.....	2
To Order by Mail.....	2
To Order by Fax.....	3
To Order by Phone.....	3
Returns	3
Limitation of Liability.....	3
Final Assembly	4
Cabinet Assembly	6
Vend Rack Assembly	8
Vend Mech Assembly	9
Hopper Assembly	10
Evaporator Fan assembly	11
Door Assembly	12
Selector Panel Assembly	14
Inner Door Assembly	16
Electrical Box Assembly	17

ORDER INFORMATION

You may order parts from your distributor or from VendNet™. If you have any questions when placing your order, please call and we'll be happy to assist you. Please provide the following information when placing your order:

- Quantity Required
- Part Number
- Description of part

NOTE

When "Right" and "Left" are used with a part name, it is taken to mean that the person is facing the machine with the door closed.

- Vendor Model Number
- Vendor Serial Number
- Shipping and Billing Address
- Preferred Method of Shipment
- Customer Account Number

MINIMUM ORDER

You may wish to inquire on prices of parts and minimum order amount at the time of your order. If you order less than the minimum, please check our catalog for other parts you may require to bring your order up to the minimum amount.

VendNet™ reserves the right to change these requirements without notice.

PAYMENT

OPEN ACCOUNT with approved credit. MASTER CARD – VISA – DISCOVER – C.O.D.

TO ORDER BY MAIL

You may mail your order for replacement parts by providing the necessary information as requested above to:

VendNet™
165 North 10th Street
Waukee, Iowa 50263-0488
USA

Order forms are available upon request or you may use your own purchase order form.

TO ORDER BY FAX

You may Fax your order for replacement parts by providing the necessary information as requested above to:

VendNet™,
1-515-987-4447

TO ORDER BY PHONE

You may call in your order for replacement parts by providing the necessary information as requested above to VendNet™ Parts Department.

USA 1-888-259-9965

Canada 1-800-858-4730

Other locations 1-515-274-3641

RETURNS

RESTOCKING CHARGE 20%. A restocking charge of 20% will apply to merchandise accepted by VendNet™ for return, except items processed as warranty.

A Return Form clearly stating the reason for return must accompany all items returned. Returns are to be shipped freight prepaid to VendNet™, 165 North 10th Street, Waukee, Iowa 50263-0488. (Return Forms are available upon request from VendNet™)

LIMITATION OF LIABILITY

VendNet™ shall not be liable for any injury, loss or damage, whether direct, incidental or consequential arising out of the use of or the inability to use any part, parts or products sold by VendNet™. The remedies of the buyer set forth herein are exclusive, and the liability of VendNet™. With respect to any contract or sale or anything done in connection herewith, whether in contract, in tort, under any warranty, or otherwise, shall not, except as expressly provided herein, exceed the price of the part, parts or products on which such liability is based. Any statements or representations about the parts or product, other than those contained herein, do not constitute warranties and shall not be relied on by the buyer and shall have no force of effect unless contained in a written agreement signed by officers of VendNet™.

If you have any questions, check out our Website

<http://www.vendnetusa.com>

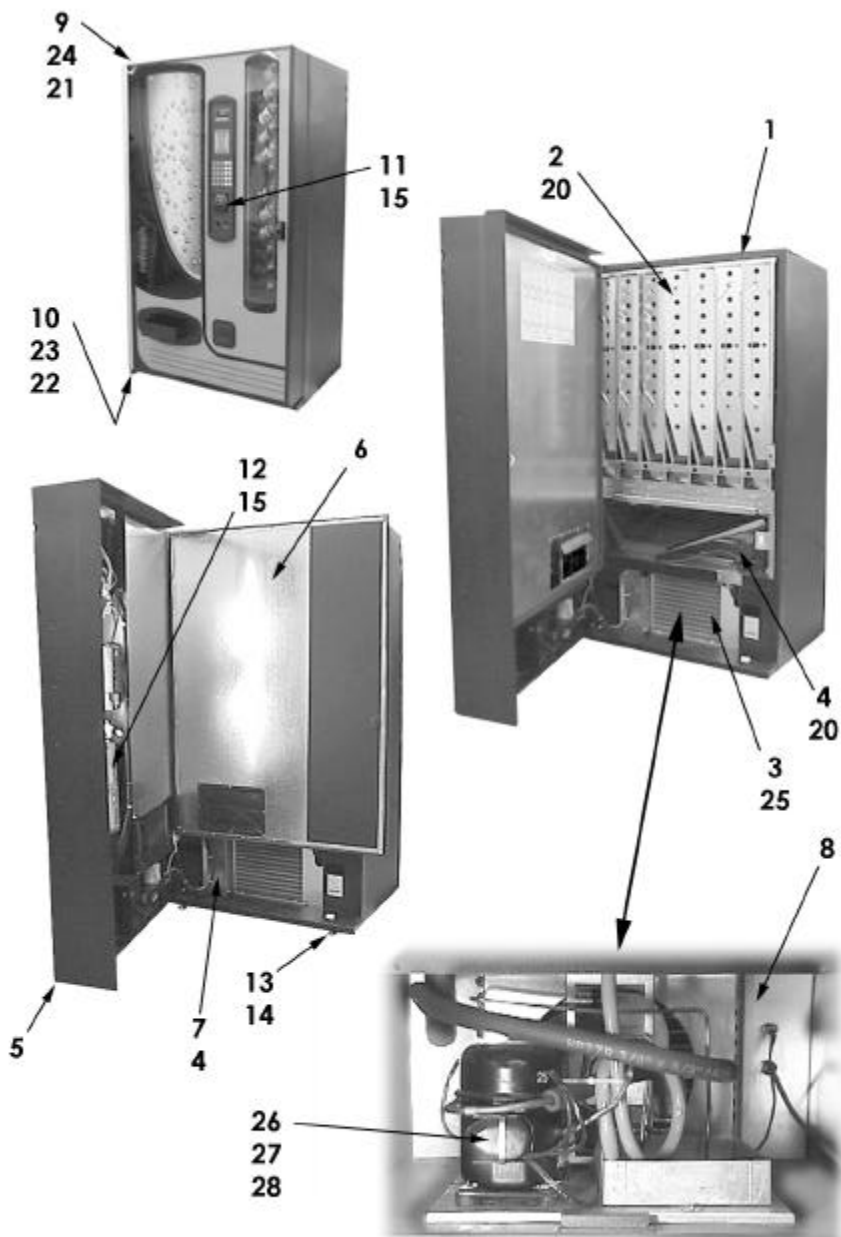
or please call VendNet™.

Ask for the Parts Department.

We will be happy to assist you.

E-Mail: VendNet@vendnetusa.com

FINAL ASSEMBLY

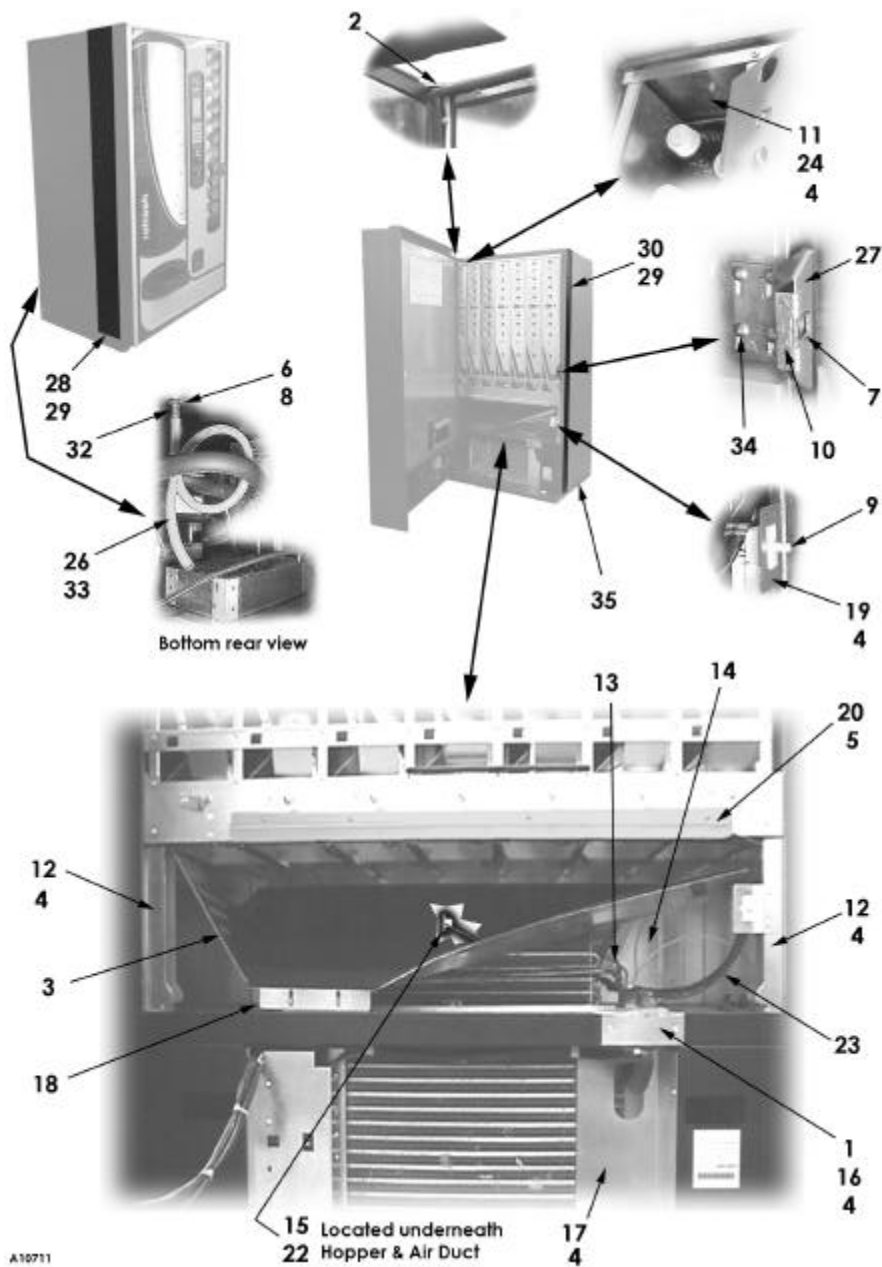


Rear view of Refrigeration Unit

Final Assembly

ITEM	PART NO.	QTY	DESCRIPTION
1	(on page 6)	1	Cabinet Assembly
2	(on page 8)	1	Vend Rack Assembly
3	1215011	1	Refrigeration Unit CB700, 1/3HP
4	(on page 11)	1	Evaporator Fan Assembly
5	(on page 12)	1	Door Assembly
6	(on page 16)	1	Inner Door Assembly
7	(on page 17)	1	Electrical Box Assembly
8	1215566	1	Power Cord Mount Assembly
9	1215486.000309	1	Top Hinge Pin Weldment, Black
10	1215487.000309	1	Bottom Hinge Pin Weldment, Black
11	4205536.124	1	BA32SA Validator, CoinCo
	4205536.024	1	BA32F Validator, CoinCo
12	4200419.GX	1	Coin Mechanism 9302GX
13	4009927	8	5/8 Slotted Leg Leveler Washer
14	4060310	4	Leg Leveler
15	8800956	8	8-32 Hex Nut with External Lock Washer
16	4211263	12	ID Scroll (not shown)
17	4203341	12	Price Scroll (not shown)
18	4206118	12	Price Scroll 1.9 (not shown)
19	4211254	1	Service Manual CB700 (not shown)
20	4050202	12	8-18x1/2 Phillips Hex Washer Head Screw
21	8810015	3	5/16-18 Flange Lock Nut
22	8801018	3	5-16 Flat Washer
23	4207883	3	5/16-18x1-1/4 Hex Washer Head Screw
24	4050099	3	5/16-18x3/4 Carriage Bolt
25	4050781	2	5/16-18x1-1/4 Hex Head Tapping Screw
26	8045052.27	1	Overload Protector
27	8333894.15	1	Relay, Starting
28	8344305	1	Spring, Overload

CABINET ASSEMBLY

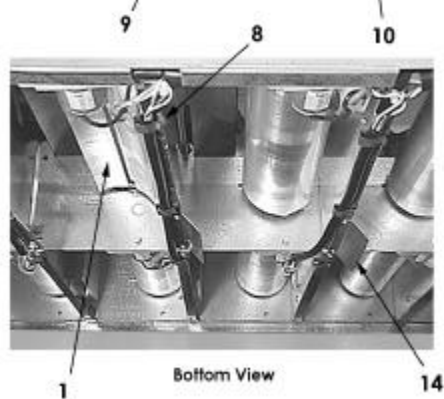
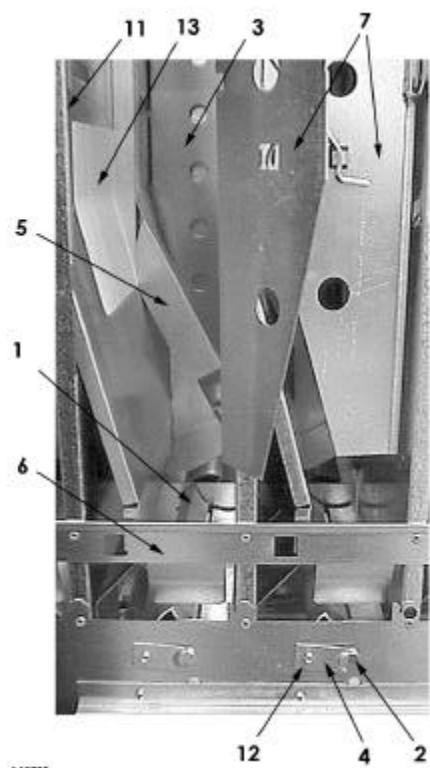


A10711

Cabinet Assembly

ITEM	PART NUMBER	QTY	DESCRIPTION
1	R.3994	1	Seal, Mastic Permagum (Ft)
2	1215315	1	Hinge Weldment, Inner Top
3	(on page 10)	1	Hopper Assembly
4	4050202	35	8-18X1/2 Phillips Hex Washer Head Screw
5	4050420	4	8-18X1/4 Phillips Hex Washer Head Screw
6	4050608	1	1/2 Flat Washer, Zinc
7	4050760	1	1/2-13 Square Nut with Retainer
8	4202284	1	.500 Stud Dia Push Nut
9	4206769	1	Power Door Switch
10	4209337	1	Lock Bracket Back
11	4210568	1	Styro Cover
12	4210692	4	Rack Support
13	4210929	1	Evap Fan Extension Harness
14	4210961	1	Air Duct
15	4210966	1	Temperature Sensor
16	4211023	1	Line Cover
17	4211034	1	Baffle
18	4211071	1	Hopper Mount
19	4211093	1	Switch Bracket
20	4211216	1	Harness Encloser
21	4211255	1	Shim (not shown)
22	4211315	1	Temp Sensor Bracket
23	4211443	1	Cabinet Harness CB700
24	4211504	1	Top Insulation Cover
25	8810017	10	10-16X5/8 Hex Washer Head Screw, Tek
26	4025410.006	1	Tubing, Mayon 3-1/2 Ft
27	4209293.001950	1	Tapered Lock Bracket, Zinc
28	4210317.000309	1	Anti-Cheat Left
29	4210421.001	18	1/4" Rivet, Black
30	4210678.000309	1	Cabinet Anti-Cheat, Black
31	4211489.000309	1	Hinge Spacer Plate, Black (not shown)
32	7100042.000	1	Drain Tube
33	7200341.000	1	Tube Clip
34	7200468.001	4	10-12x1 Phillips Truss Head Screw
35	1215013	1	Cabinet Foam Assembly

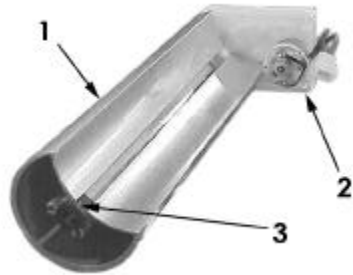
VEND RACK ASSEMBLY



Vend Rack Assembly

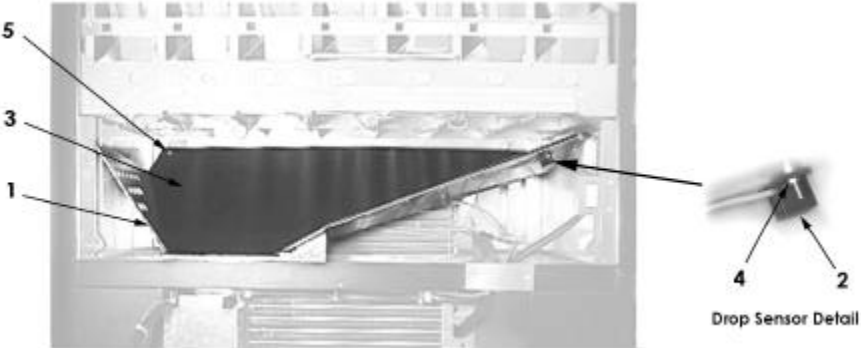
ITEM	PART NO.	QTY	DESCRIPTION
	1215010	1	Vend Rack Assembly
1	(below)	14	Vend Mech Assembly
2	4210051	7	Drive Shaft
3	4210139	7	Rear Retainer
4	4210294	7	Rod Retainer
5	4210469	7	Center Filler
6	1215582	1	Stack Rivet Assembly
7	1215594	7	Product Retainer Assembly
8	4211368	14	Wire Clip
9	4211361	1	Loading Tray
10	4050773.001	2	Hitch Pin
11	4211485	7	Latch Striker
12	4050420	7	8-18 x ¼ Philips Hex Washer Head Screw
13	4210183	28	Funnel Slide
14	4211111	6	Container Knock-down

VEND MECH ASSEMBLY



ITEM	PART NO.	QTY	DESCRIPTION
	1215009	1	Vend Mech Assembly
1	4210050	1	Vend Cradle
2	4210052.001	1	Motor, Small Terminals
3	4210449	1	Center Idler

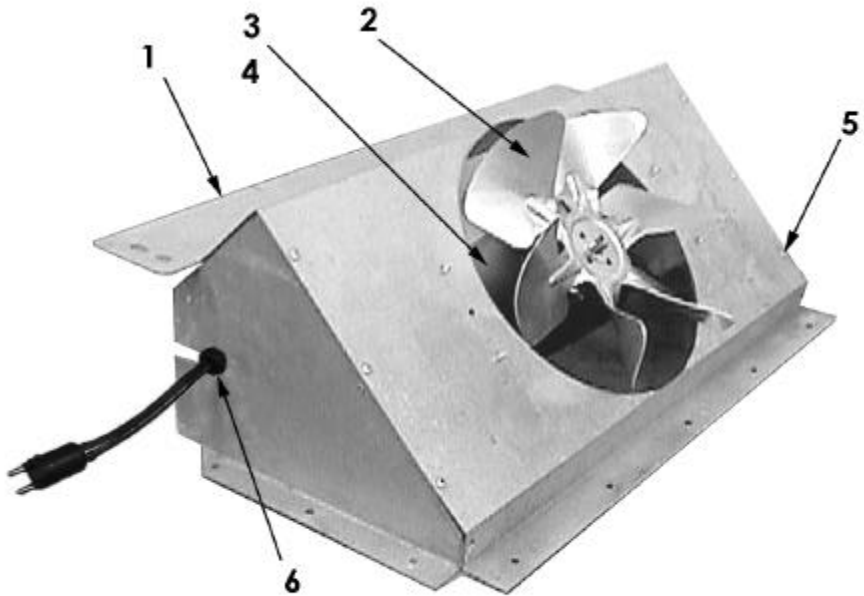
HOPPER ASSEMBLY



A10706

ITEM	PART NO.	QTY	DESCRIPTION
	1215568	1	Hopper Assembly
1	1215569	1	Hopper Stake
2	4210965	1	Drop Sensor
3	4211355	1	Hopper Cover
4	4050503	2	6-32 Hex Nut
5	4050667	2	1/8 x 1/4 Aluminum Pop Rivet

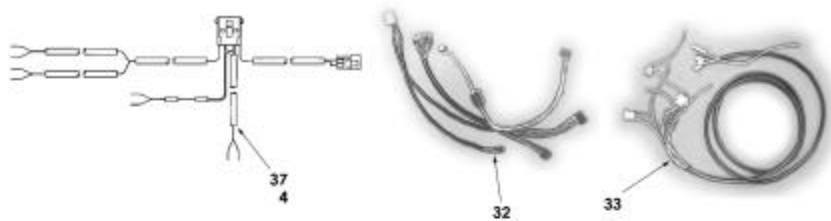
EVAPORATOR FAN ASSEMBLY



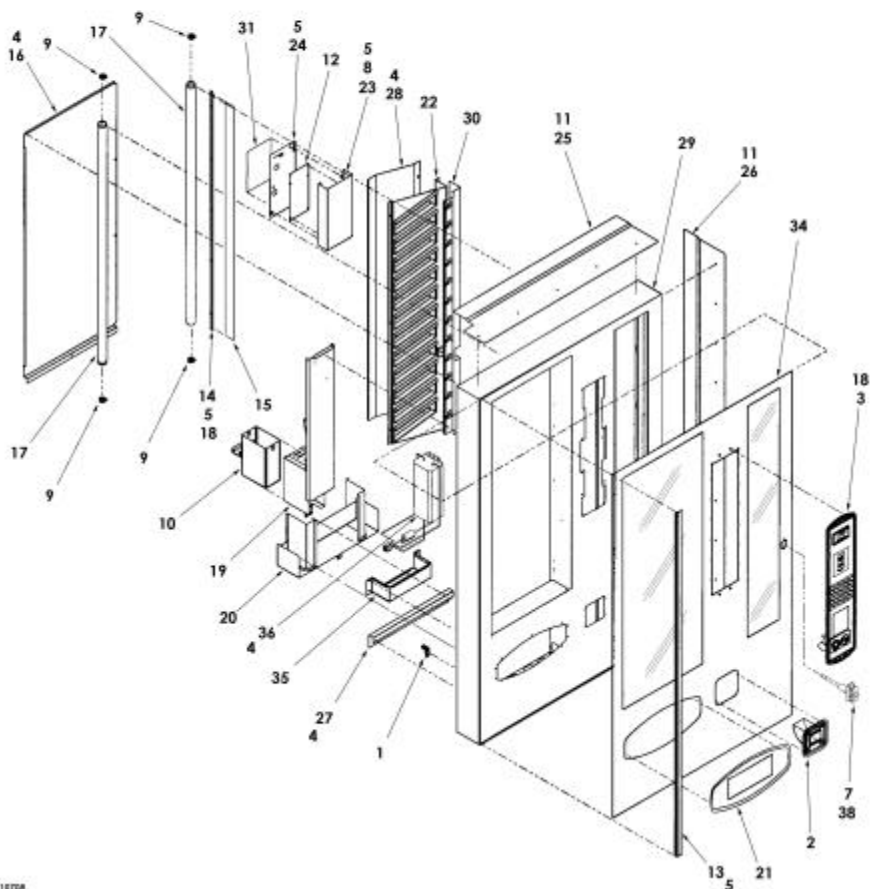
A10712

ITEM	PART NO.	QTY	DESCRIPTION
	1215295	1	Evaporator Fan Assembly
1	1215633	1	Evap Fan Rivet Assembly
2	4210727	1	8" Evap Fan Blade
3	4210728	1	Evaporator Motor 115V
4	4210618	1	Evaporator Fan Bracket
5	8801204	6	10-16 X 3/8 Phillips Truss Head Screw
6	4033683	1	Cord Strain Relief Bushing

DOOR ASSEMBLY



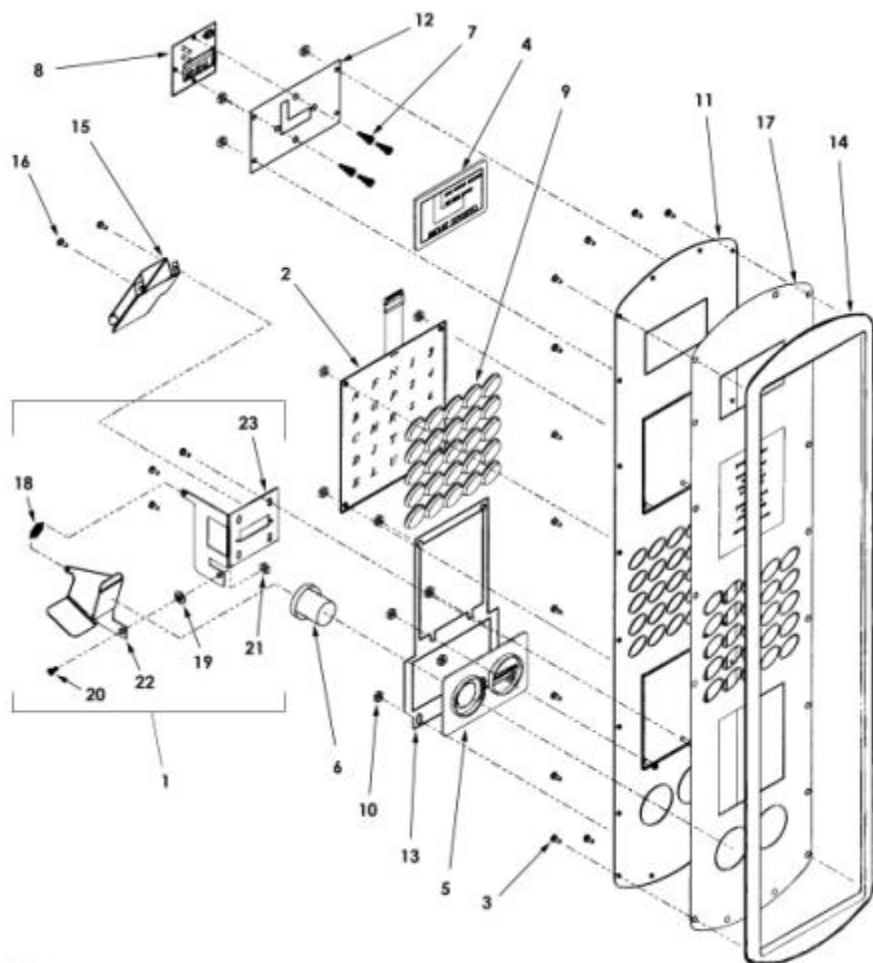
Items shown not in same scale as illustration.



Door Assembly

ITEM	PART NO.	QTY	DESCRIPTION
1	1215317	1	Hinge, Inner Bottom
2	1215598	1	Coin Cup Sub-Assembly
3	(on page 14)	1	Selector Panel Assembly
4	4050202	20	8-18X1/2 Phillips Hex Washer Head Screw
5	4050423	24	8-18X3/8 Phillips Pan Head Screw
6			
7	4202927.005	1	T-Handle Latch
8	4206879	5	Board Standoff 3/8
9	4207171	4	Lamp Socket
10	4208890	1	Coin Box, Plastic
11	4210421.001	14	1/4" Rivet, Black
12	4210795	1	Control Board
13	4211082.003	1	Side Trim
14	4211239	1	Diffuser Retainer
15	4211241	1	Diffuser, Light
16	4211373	1	Lamp Guard
17	8345956	2	Fluorescent Lamp
18	8800956	43	8-32 Hex Nut External Tooth Washer
19	1214833.001309	1	Mech Mount Weldment, Black
20	1215516.000309	1	Delivery Box Weldment, Black
21	1215550.000309	1	Delivery Weldment Assembly, Black
22	1215637.000309	1	Display, Black
23	4211174.000309	1	Board Mount, Black
24	4211175.000309	1	Board Cover, Black
25	4211346.000309	1	Anti-Cheat Top, Black
26	4211347.000309	1	Anti-Cheat Right, Black
27	4211432.000309	1	Wire Channel, Black
28	4211466.000309	1	Display Product Retainer, Black
29	1215380.000309	1	Door Weldment, Black
30	4211606.000309	1	Product Display ID, Black
31	4211291	1	Controller Instruction Label
32	4210930	1	Door Harness
33	4210931	1	Control Board Harness
34	4211020	1	Sign Front BC
35	4211384.000309	1	Anti-Cheat, Black
36	1215574	1	Ballast Assembly, 120VAC
37	4211381	1	Lamp Power Harness
38	4060330	1	Lock Cylinder with 2 Keys

SELECTOR PANEL ASSEMBLY

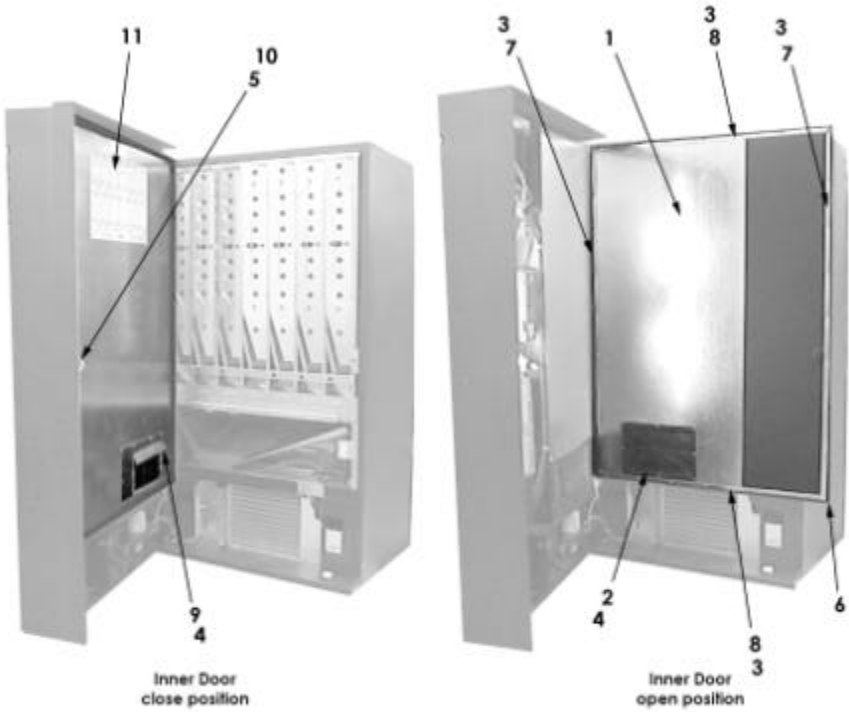


410000

Selector Panel Assembly

ITEM	PART NO.	QTY	DESCRIPTION
	1215629	1	Selector Panel Assembly (without decal)
1	1215127	1	Coin Release Assembly
2	1215547.002	1	Keypad Assembly
3	4050120	20	6-32 X 5/16 Phillips Pan Head Screw
4	4202841.011	1	Readout Window, Blue
5	4203186.004	1	Coin Insert, Black
6	4203187	1	Coin Return Button
7	4206879	4	Board Standoff 3/8"
8	4210660	1	Display Board Assembly CB700
9	4210978	25	Ellipse Button
10	8800956	9	8-32 Hex Nut, External Tooth Lock Washer
11	1215391.001309	1	Selector Plate Weldment, Black
12	4210947.000309	1	Readout Mount, Black
13	4210954.000309	1	Insert Mount, Black
14	4211230.000309	1	Selection Bezel, Black
15	1212097.000950	1	Coin Chute Weldment, Zinc Plated
16	4201942	2	6-20X3/16 Phillips Pan Head Screw
17	4211227	1	Selection Decal
18	4021020	1	Spring 9/32 X 1-3/32
19	4030100	1	Bushing Spacer
20	4050240	1	8-32 X 3/8 Phillips Pan Head Screw
21	4050511	1	8-32 Locking Nut
22	4208726.001950	1	Coin Return Lever
23	4208727.001950	1	Coin Chute Mount Plate

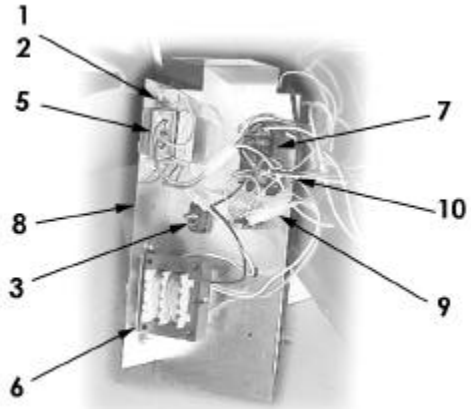
INNER DOOR ASSEMBLY



A10709

ITEM	PART NO.	QTY	DESCRIPTION
	1215542	1	Inner Door Assembly (without chart decal)
1	1215541	1	Inner Door Foam Assembly
2	1215643	1	Vend Port Assembly
3	4050180	32	8-18X1/2 Phillips Pan Head Screw
4	4050667	17	1/8X1/4 Aluminum Pop Rivet
5	4207009	1	1/4-3/8X5/32 Pop Rivet
6	4209991	1	Gasket Inner Door
7	4211406	2	Gasket Retainer Long
8	4211407	2	Gasket Retainer Short
9	4211612	1	Container Knock Down
10	8324099.11	1	Clamp 1/2x7/8
11	4211323	1	Loading Chart Decal

ELECTRICAL BOX ASSEMBLY



A10710

ITEM	PART NO.	QTY	DESCRIPTION
	1215565	1	Electrical Box Assembly
1	4050240	7	8-32X3/8 Phillips Pan Head Machine Screw
2	4050513	7	8-32 Twin Whiz Lock Nut
3	4202088	1	Rocker Switch
4	4203467.003	1	Circuit Breaker 3 Amp
5	4203730.003	1	RFI Filter Round Front
6	4206570.000	1	Transformer, 110V Input
7	4206643	1	Relay DPST 24VAC/DC 30 Amp
8	4210890	1	Elect Box Front
9	4210933	1	Power Box Harness
10	4210962	1	Relay Extension Harness

The contents of this publication are presented for informational purposes only, and while every effort has been made to ensure their accuracy, they are not to be construed as warranties or guarantees, express or implied, regarding the products or services described herein or their use or applicability. We reserve the right to modify or improve the designs or specifications of such products at any time without notice.



VendNet[®]
165 North 10th Street
Waukee, Iowa 50263 - USA
Service: 800-833-4411
Parts: 888-259-9965
E-Mail: Vendnet@vendnetusa.com
Web Site: www.vendnetusa.com

