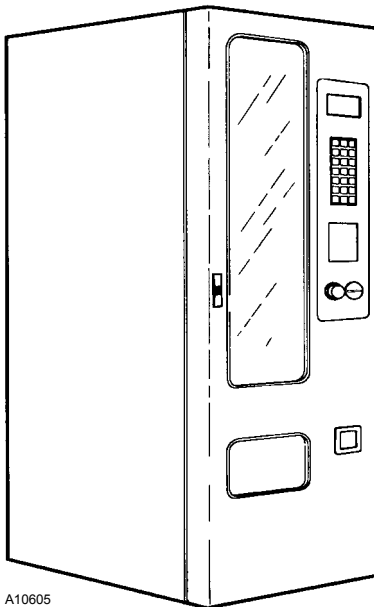




GF 12II



A10605

MODEL:

3120

Parts Manual

TABLE OF CONTENTS

GENERAL INFORMATION	2
FINAL ASSEMBLY	4
DOOR ASSEMBLY.....	6
Coin Insert Assembly	8
Delivery Assembly	10
Light Assembly.....	12
POWER PANEL ASSEMBLY	13
TRAY ASSEMBLY	14
CABINET ASSEMBLY	16

GENERAL INFORMATION

You may order parts from your distributor or from VendNet™. If you have any questions when placing your order, please call and we'll be happy to assist you. Please provide the following information when placing your order:

- Quantity Required
- Part Number
- Description of part

NOTE

When "Right" and "Left" are used with a part name, it is taken to mean that the person is facing the front of the machine with the door closed.

- Vendor Model Number
- Vendor Serial Number
- Shipping and Billing Address
- Preferred Method of Shipment
- Customer Account Number

MINIMUM ORDER:

You may wish to inquire on prices of parts and minimum order amount at the time of your order. If you order less than the minimum, please check our catalog for other parts you may require to bring your order up to the minimum amount.

VendNet reserves the right to change these requirements without notice.

PAYMENT:

OPEN ACCOUNT with approved credit. MASTER CARD – VISA – DISCOVER – C.O.D.

TO ORDER BY MAIL:

You may mail your order for replacement parts by providing the necessary information as requested above to:

VendNet
165 North 10th Street
Waukee, Iowa 50263-0488 - USA

Order forms are available upon request or you may use your own purchase order form.

TO ORDER BY FAX

You may Fax your order for replacement parts by providing the necessary information as requested above to:

VendNet.
1-515-987-4447

TO ORDER BY PHONE

You may call in your order for replacement parts by providing the necessary information as requested above to VendNet Parts Department.

USA 1-800-833-4411
Canada 1-800-858-4730
Other locations 1-515-274-3641

RETURNS

RESTOCKING CHARGE 20%. A restocking charge of 20% will apply to merchandise accepted by VendNet™ for return, except items processed as warranty.

A Return Form clearly stating the reason for return must accompany all items returned. Returns are to be shipped freight prepaid to VendNet, 165 North 10th Street, Waukegan, Iowa 50263-0488. (Return Forms are available upon request from VendNet.)

LIMITATION OF LIABILITY

VendNet shall not be liable for any injury, loss or damage, whether direct, incidental or consequential arising out of the use of or the inability to use any part, parts or products sold by VendNet. The remedies of the buyer set forth herein are exclusive, and the liability of VendNet. With respect to any contract or sale or anything done in connection herewith, whether in contract, in tort, under any warranty, or otherwise, shall not, except as expressly provided herein, exceed the price of the part, parts or products on which such liability is based. Any statements or representations about the parts or product, other than those contained herein, do not constitute warranties and shall not be relied on by the buyer and shall have no force of effect unless contained in a written agreement signed by officers of VendNet.

If you have any questions, check out our Website

<http://www.vendnetusa.com>

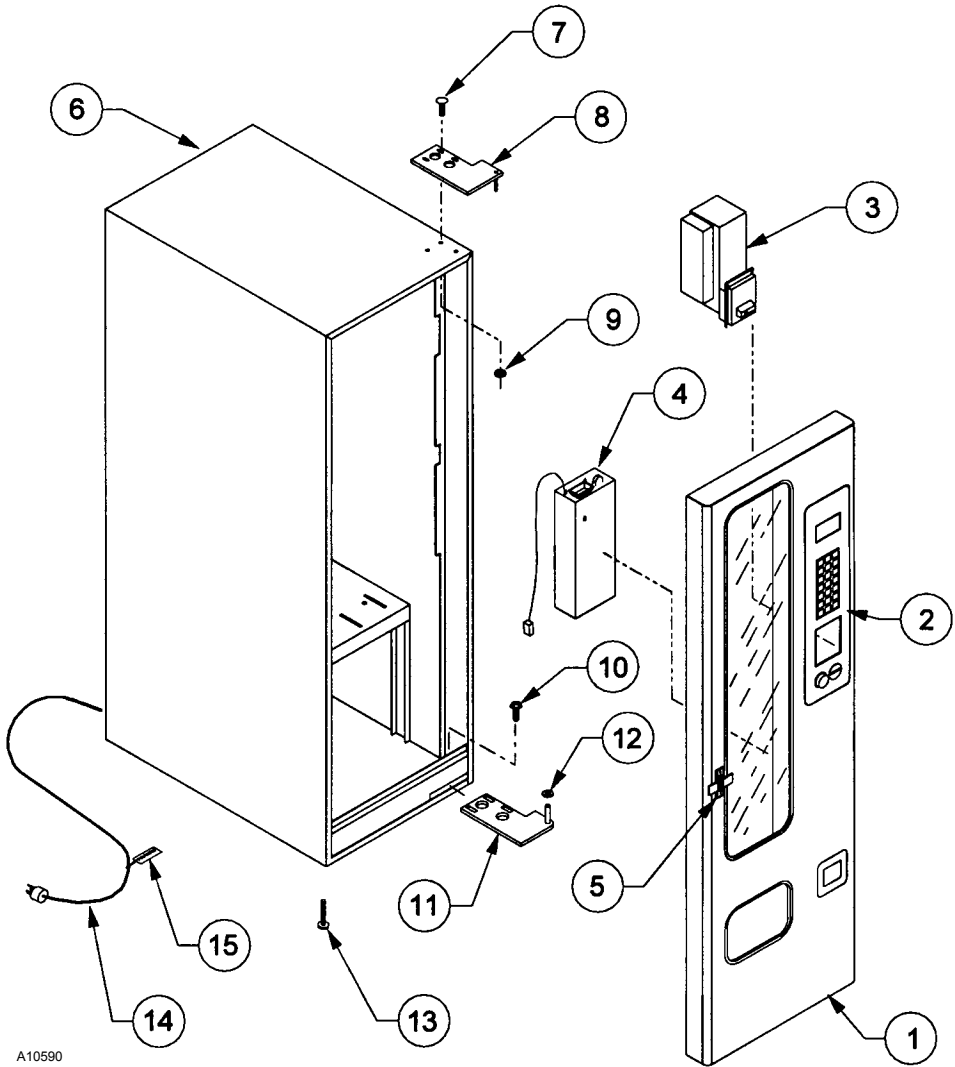
or please call VendNet.

Ask for the Parts Department.

We will be happy to assist you.

E-Mail: **vendnet@vendnetusa.com**

FINAL ASSEMBLY

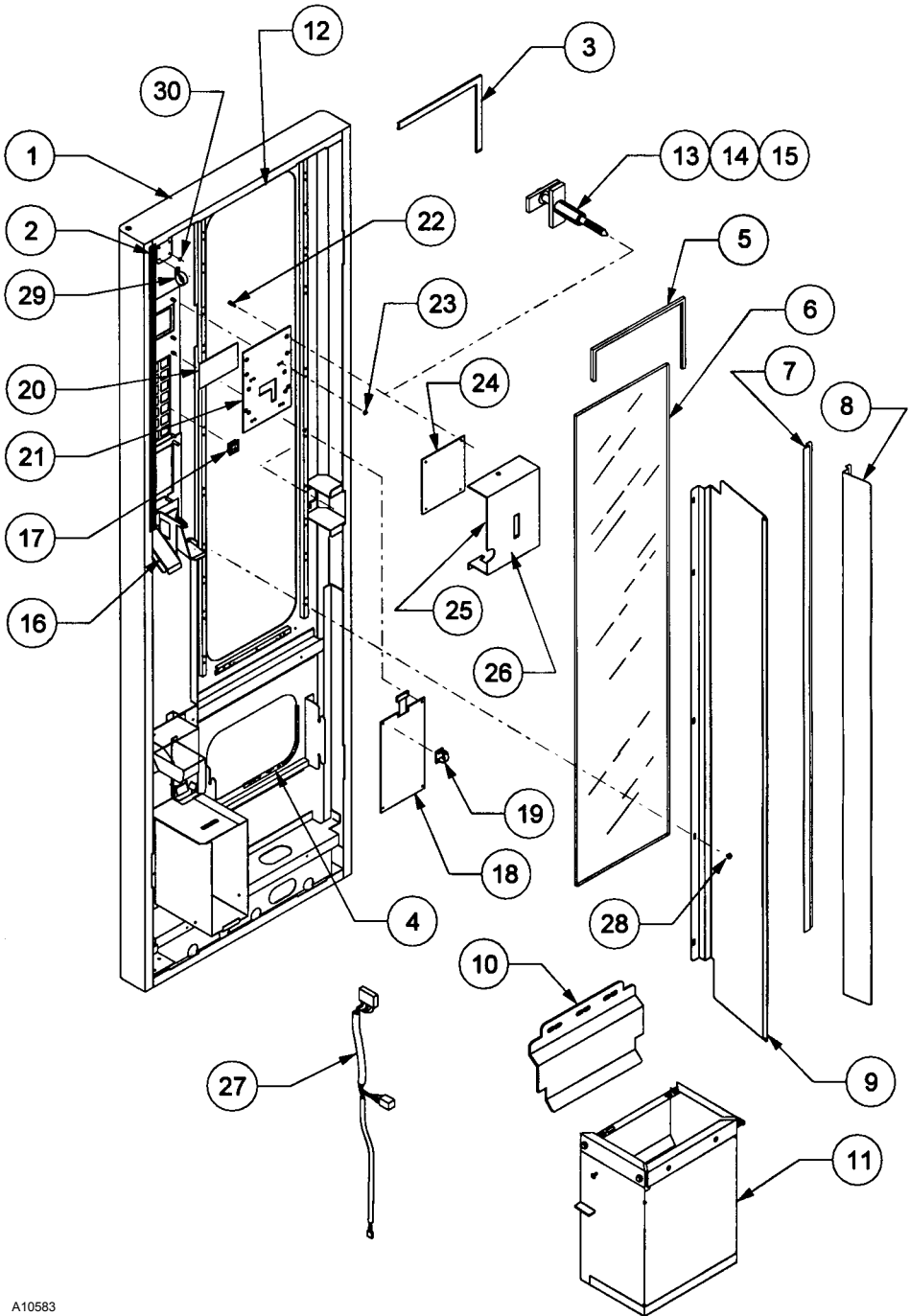


A10590

Final Assembly

ITEM	PART NO.	QTY	DESCRIPTION
1	1214634	1	Door Assembly – Page 6
2	4209178	1	Door Decal
3	4205536.124	1	Validator – MDB
4	4200419.GX	1	Coin Mechanism – MDB
5	4060330	1	Lock Cylinder w/2 Keys (Specify Key Series)
6	1214630	1	Cabinet Assembly – Page 16
7	4050099	3	5/16-18x3/4 Carriage Bolt
8	1212060.006	1	Hinge Stake – Top
9	8810015	3	5/16-18 Flange Lock Nut
10	8801388	3	5/16-18 x 3/4 Hex Washer Head Type D
11	1212060.005	1	Hinge Stake – Bottom
12	4050767	1	3/8 Nylon Flat Washer
13	4060310	4	Leg Leveler
14	4203520	1	Power Cord
15	8620494	1	Power Cord Tag – (Warning-Proper Ground)
	1214490.005		Service Package
	4209514	1	Service Manual GF12II, GF19II, GF35II
	4206816	1	Safety Manual
	4206451	1	Bulletin – Scroll Locks
	Items placed in bottom of machine (See Tray Assembly Page 14)		
	8370660.5	4	Spacer
	8370998	12	Spacer Support
	4200281	12	Spring Clip
	1215147	1	4-inch Leg Kit (Option)
	1214704.002	4	Leg Assembly
	4201385	16	5/16 x 18 x 1 Bolt (Thread Roller)
	4205593	4	Leg Spacer
	8363374	4	Leg Leveler

DOOR ASSEMBLY

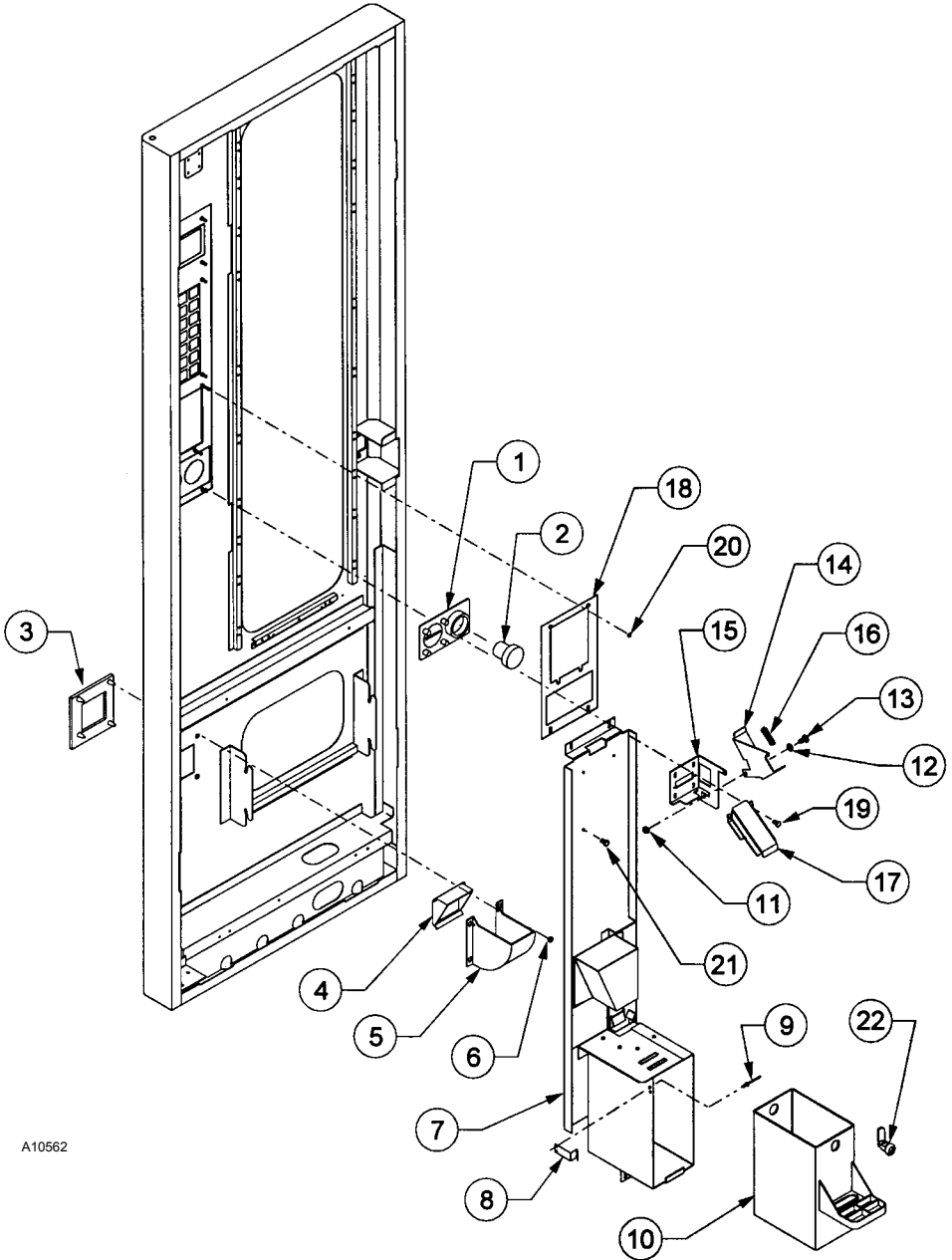


Door Assembly

ITEM	PART NO.	QTY	DESCRIPTION
1	1214791	1	Door
2	4060006.500	5.5'	1/4 x 1/2-in. Foam Tape
3	4202255	A/R	Gasket 1/4 x 3/4-in. W/Adhesive
4	4025735.900	10.5-ft	Trim-Lok (Black)
5	4209025.004	1	Glass Gasket
6	4209513.001	1	Display Window
7	4209082	2	Window Retainer
8	4209081	1	Door Partition – Left
9	4209569	1	Door Partition – Right
10	4209568	1	Bottom Door Deflector
11	1212040.001	1	Delivery Assembly - See Page 10
12	1214635	1	Light Assembly - See Page 12
13	4203486	1	1/4 Turn Handle, Black
14	4050338	2	10-32 x 1/2 in. Flat Head Machine Screw, Philips
15	4050495	2	10-32 Nut, Two Way Lock
16		1	Coin Insert Assembly – See Page 8
17	4025741	21	Push Button
18	1215267	1	Keypad Assembly
	4209844	1	Keypad
	4208735	1	Keypad Mounting Plate
19	8370959.3	1	Locking Clamp 3/4-in.
20	4202841.008	1	Readout Window (Red)
21	4208737.001309	1	Control Board Mount
22	4206879	4	Control Board Standoff-3/8-in.
23	8800956	A/R	8-32 Hex Nut W/External Tooth Washer
24	4208201.001	1	F80 Control Board
25	4208784	1	Control Board Cover
26	4208789	1	Service Mode Label
27	4209843	1	Door Harness
28	4050420	A/R	8-18 x 3/8-in. Hex Washer Head Screw, Philips
29	8324099.6	1	Plastic Wire Clamp 1/2 x 1-in.
30	4050585	1	#8 External Tooth Lockwasher – Used with ground wire

DOOR ASSEMBLY (continued)

Coin Insert Assembly



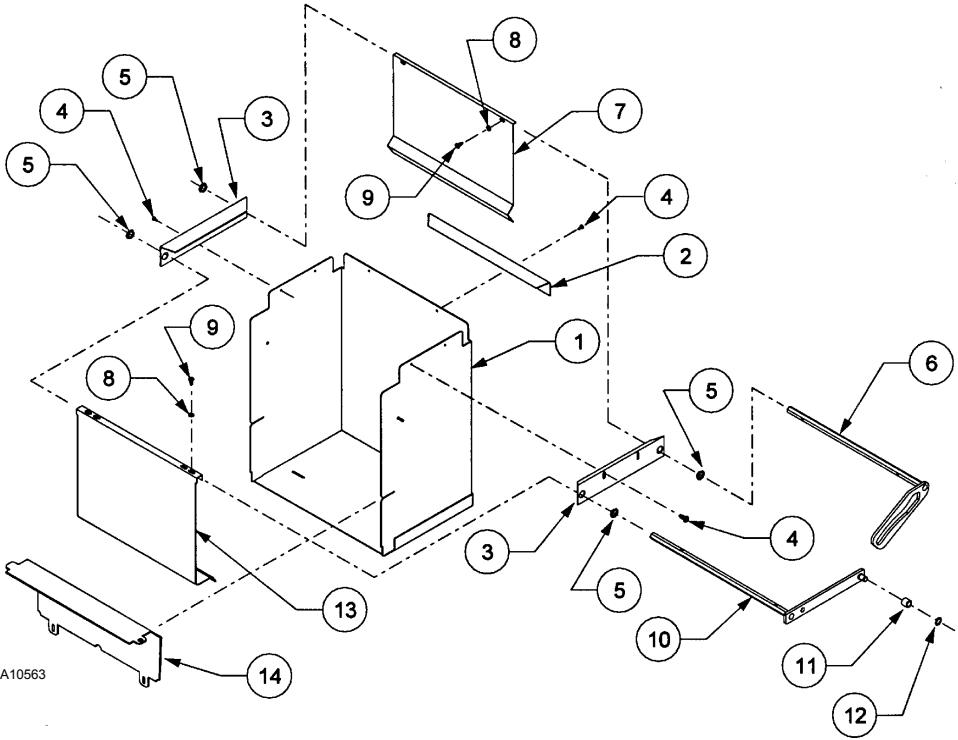
A10562

Coin Insert Assembly

ITEM	PART NO.	QTY	DESCRIPTION
1	4203186.004	1	Coin Insert (Black) (1 1/8-in. Slot)
2	4203187	1	Coin Return Button
3	4203209	1	Coin Cup Bezel
4	4203208	1	Coin Cup Door
5	4203207	1	Coin Cup
6	4050747	4	1/4-in. Stamped Hex Nut
7	1214833	1	Mechanism Mount
8	4210216	1	Latch
9	4050667	2	1/8 x 1/4-in. Aluminum Pop Rivet
10	4208890	1	Coin Box - Plastic
11	4050511	1	8-32 Nut-Two Way Lock
12	4030100	1	Bushing-Spacer
13	4050240	1	8-32 x 3/8 Pan Head Machine Screw - Philips
14	4208726	1	Coin Return Lever
15	4208727	1	Coin Chute Mount
16	4021020	1	Spring 9/32 x 1 3/32-in.
17	1212097.001	1	Coin Chute
18	4208734	1	Coin Insert Mount
19	4201942	2	6-20 x 3/16-in. Pan Head Screw, Type-B - Philips
20	8800956	14	8-32 Hex Nut W/External Tooth Washer
21	4050423	A/R	8-18 x 3/8-in. Pan Head Screw, Type-AB - Philips
22	4060366	1	Coin Box Lock (Optional)

DOOR ASSEMBLY (continued)

Delivery Assembly



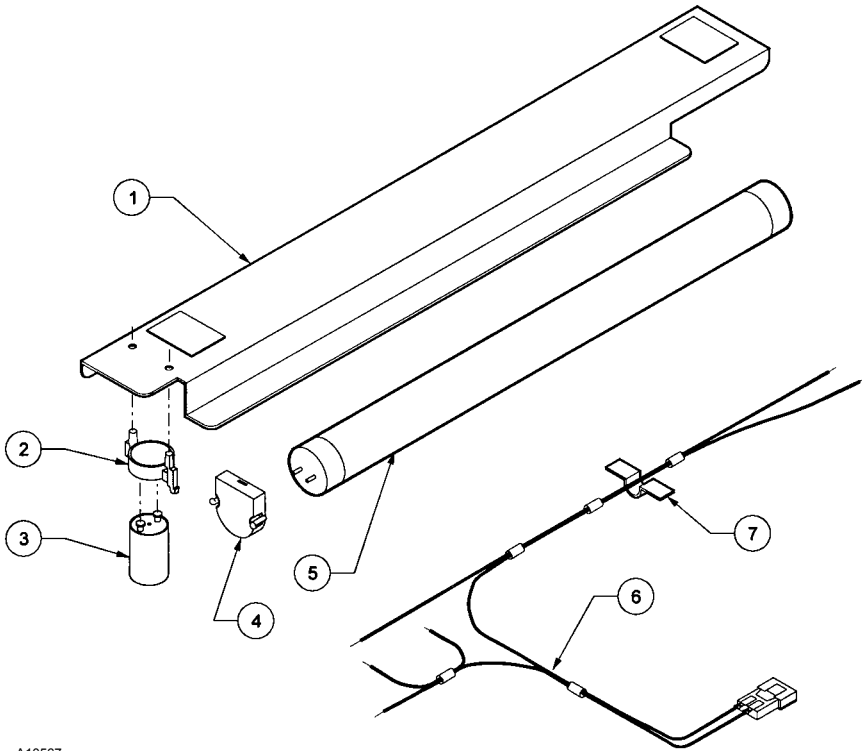
A10563

Delivery Assembly

ITEM	PART NO.	QTY	DESCRIPTION
	1212040.001		Complete Delivery Assembly
1	1212037.008	1	Delivery Box
2	4203436.008	1	Rear Delivery Deflector
3	4203379	2	Side Delivery Mount
4	4050423	6	8-18 x 3/8-in. Pan Head Screw, Type-AB, Philips
5	4025263	4	Type 7 Nyliner-Snap in Plastic Bushing
6	1212039.009	1	Cam/Rod
7	4203373.015	1	Delivery Anti-Cheat
8	8801011	4	#8 Flat Washer
9	4050239	4	8-32 x 3/8-in. Pan Head Screw, Type-T, Philips
10	1212038.014	1	Follower
11	4208947	1	Follower Bushing
12	8801080	1	E-Ring 5/16-in.
13	1212041.028	1	Delivery Door
14	4203377.012	1	Delivery False Box

DOOR ASSEMBLY (continued)

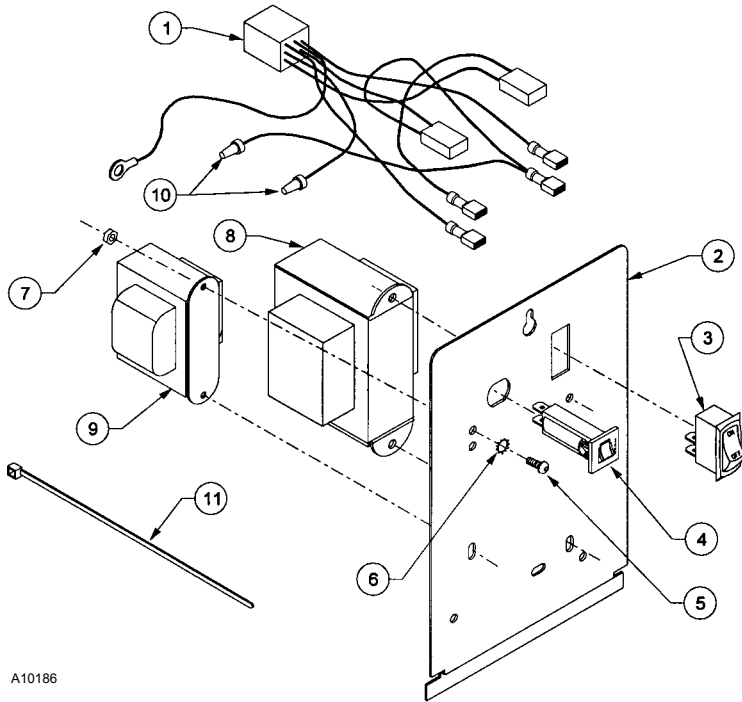
Light Assembly



A10567

ITEM	PART NO.	QTY	DESCRIPTION
	1214635	1	Light Assembly
1	1214793	1	Light Reflector
2	4208884	1	Starter Socket
3	4033567	1	Starter – FS-2
4	4207171	2	Lamp Socket
5	4033668	1	Lamp - F14T8/Cw
6	4208807.003	1	Lamp Harness
7	4060130	2	Press Clip-1/4-in.

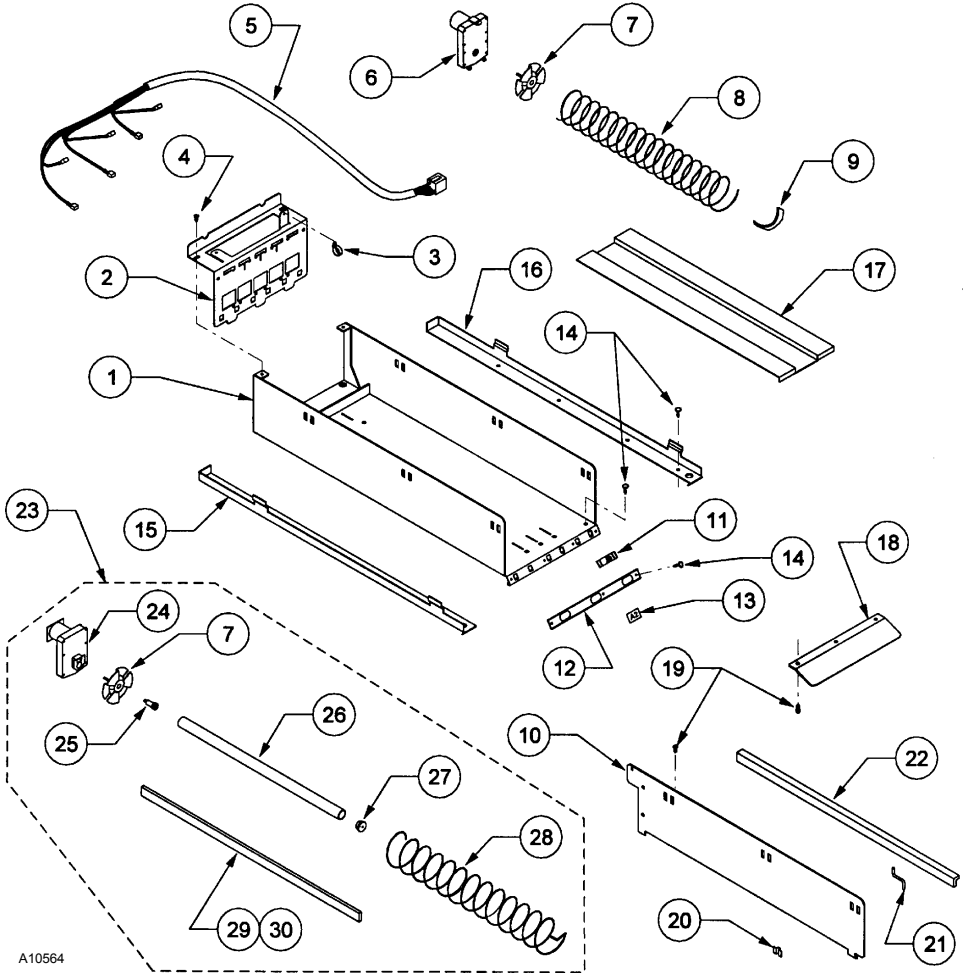
POWER PANEL ASSEMBLY



A10186

ITEM	PART NO.	QTY	DESCRIPTION
	1214528.110		Power Panel Assembly - 110 Volt
1	4209153	1	Power Panel Harness
2	4208695	1	Power Panel
3	4202088	1	Switch – Rocker
4	4203467.003	1	3 Amp Circuit Breaker
5	4050240	5	8-32 x 3/8-in. Pan Head Machine Screw, Philips
6	4050585	5	#8 External Tooth Lockwasher
7	8800956	5	8-32 Hex Nut W/External Tooth Washer
8	4206570.000	1	Transformer – 110 Volt
9	4033609	1	Ballast - SP2
10	4033505	2	Closed End Splice Cap
11	4033712	1	Plastic Cable Tie 7 3/8-in.

TRAY ASSEMBLY



A10564

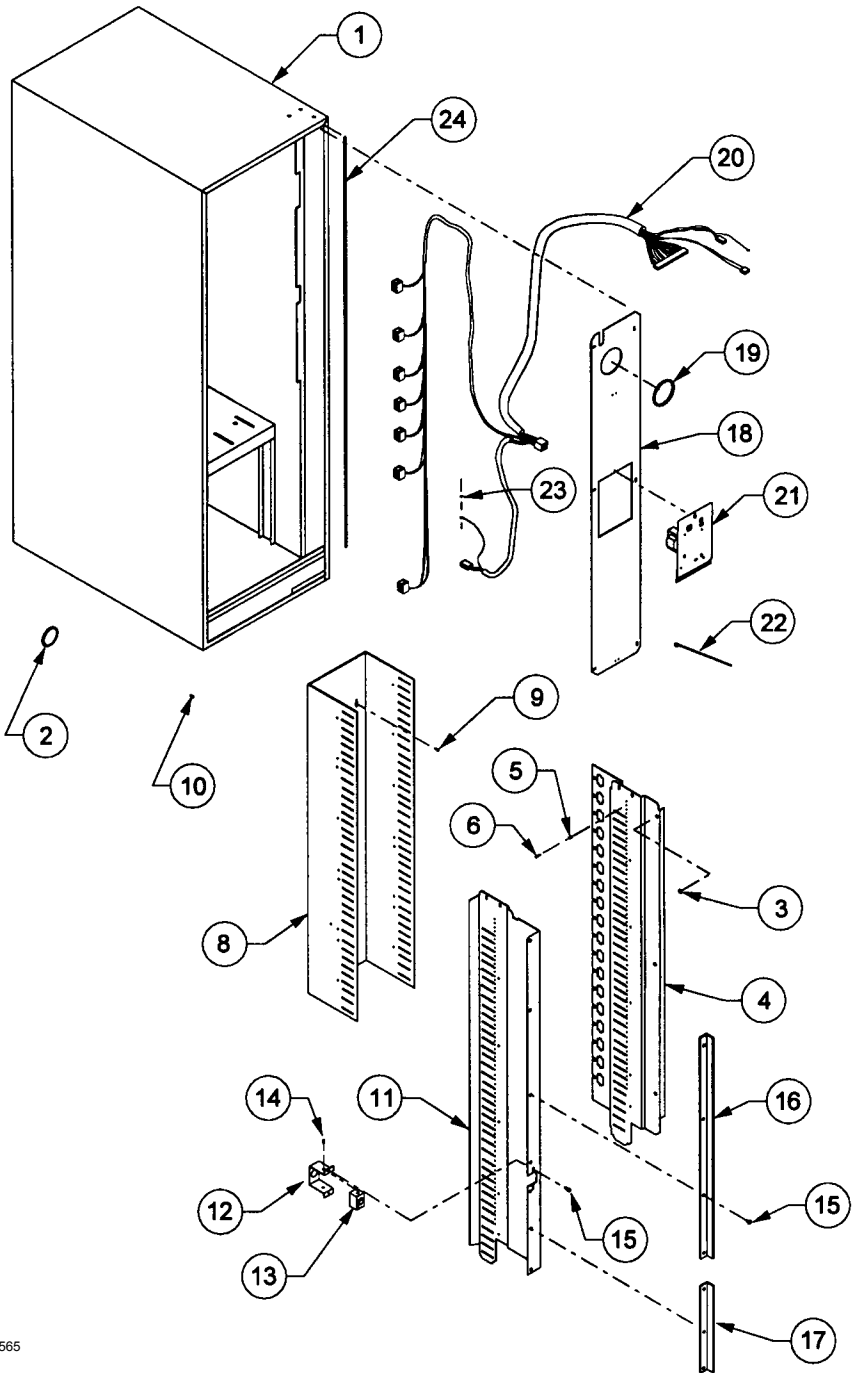
Tray Configurations

PART NO.	QTY	DESCRIPTION
1214627		Tray Configuration
1214632-001	1	Tray Assembly – 2 - 10 Select Auger (Candy)
1214684	3	Tray Assembly – 1 - 15 Select Auger (Candy), 1 - 10 Select Auger (Snack)
1214685	1	Tray Assembly – 1 - 15 Select Auger (Candy), 1 - 12 Select Auger (Snack)
1214686	1	Tray Assembly – 1 - 18 Select Auger (Candy), 1 - 12 Select Auger (Snack)

Tray Assembly

ITEM	PART NO.	QTY	DESCRIPTION
1	1214700	1	Product Tray
2	4209847.001309	1	Motor Mount, Black
3	8324099.5	1	Clamp – 3/8 x 7/16-in.
4	8800636	A/R	8-18 x 1/2in. Pan Head Type-B, Philips
5	4208888	1	Tray Harness
6	4209663	A/R	24 VDC Motor - 360 Degree
7	4202015	A/R	Auger Coupling
8	4200272.031	A/R	Auger - 10 Select - Candy
	4200272.000	A/R	Auger - 15 Select - Candy
	4200272.008	A/R	Auger - 12 Select - Snack
	4200272.001	A/R	Auger - 18 Select - Candy
	4200272.007	A/R	Auger - 10 Select - Snack
9	4025748	A/R	Product Pusher/Ejector
10	4209261	A/R	Product Divider
11	4203341	A/R	Price Scroll – 05-95 by 5
12	4209260	1	Label Holder
13	4203707	1	Selection Identification Label
14	4205329	10	Arrow Clip
15	4205712	1	Tray Rail - Left Side
16	4205712.002	1	Tray Rail - Right Side
17	4206801	A/R	Helix Retainer
18	4209239	1	Tray Deflector (Used on bottom tray only)
19	4050420	A/R	8-18 x 1/4-in. Hex Washer Head Type B, Philips (Attaching Part for item 18)
20	4200281	A/R	Spring Clip
21	8370998	A/R	Spacer Support
22	8370660.5	A/R	Spacer
23	1200137.147	A/R	Snack to Split Auger 40 Kit (Optional)
24	4034388.001	A/R	24 VDC Motor - 180 Degree - Gum & Mint
25	4200164.000	A/R	#8-32 x 1-1/4-in. Shoulder Screw
26	4202625.001	A/R	Gum & Mint Helix Tube
27	4203103	A/R	End Cap
28	4202313.007	A/R	Auger - 40 Select - Gum & Mint
29	4202624.001	A/R	Gum & Mint Spacer Strip
30	4202013	A/R	1/32 x 3/8-in. Foam Tape, (Attaching Part for item 29)

CABINET ASSEMBLY



Cabinet Assembly

ITEM	PART NO.	QTY	DESCRIPTION
	1214630	1	Cabinet Assembly
1	1214612	1	Cabinet
2	7250135.007	2	Hole Plug 2-1/4-in.
3	7250135.001	3	Hole Plug 1/2-in.
4	4209074	1	Right Side Panel
5	4060174	12	Rolled Split Spacer
6	4050241	12	8-18 x 3/4-in. Pan Head Screw, Type-AB, Philips
8	4209271	1	Back Rail Support
9	8800636	6	8-18 x 1/2-in. Pan Head Screw, Type-B, Philips
10	4050548.001	6	Screw Cover
11	4209073	1	Left Side Panel
12	4203255	1	Nut Mount Assembly
13	4203634	1	Split Nut Assy
14	8800638	2	10-16 x 3/8-in. Pan Head Screw, Type-B, Philips
15	4050423	A/R	8-18 x 3/8-in. Pan Head Screw, Type-B, Philips
16	4203645.001	1	Anti-Cheat – Long
17	4203645	1	Anti-Cheat – Short
18	4209080	1	Control Panel
19	4206469	0.8-ft	Edge Guard
20	4209782	1	Cabinet Harness
21	1214528.110	1	Power Panel Assembly – See Page 13
22	4203509	2	Plastic Cable Tie, 5-in.
23	4050585	1	#8 External Tooth Lock Washer (Used on Grounding Wire)
24	4202256	5'	Edge Guard

The contents of this publication are presented for informational purposes only, and while every effort has been made to ensure their accuracy, they are not to be construed as warranties or guarantees, express or implied, regarding the products or services described herein or their use or applicability. We reserve the right to modify or improve the designs or specifications of such products at any time without notice.



VendNet™
165 North 10th Street
Waukee, Iowa 50263
United States of America



	USA & Canada	International
Service	(800) 833-4411	(515) 274-3641
Parts	(888) 259-9965	
Email	vendnet@vendnetusa.com	
Web Site	www.vendnetusa.com	