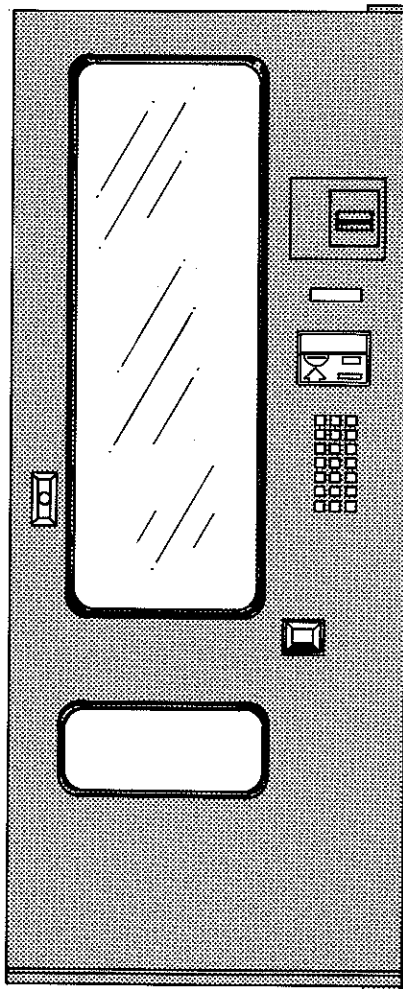




GLASS FRONT MERCHANTISER

35-Select



PARTS MANUAL



Table of Contents

GENERAL INFORMATION.....	2	COMMON DOOR ASSEMBLY	3
Payment	2	Delivery Box Assembly.....	4
To Order By Mail	2	Light Assembly.....	5
To Order By Fax.....	2	Coin Insert Cast Assembly	6
To Order By Phone.....	2	COMMON CABINET ASSEMBLY	7
Returns.....	2	Control Panel Assembly	10
Limitation Of Liability.....	2	TRAY CONFIGURATION.....	11
FINAL ASSEMBLY	1	Candy Tray Assemblies.....	12
		Snack Tray Assemblies.....	13

Key

24V 24 Volt
 115V 115 Volt AC
 230V 230 Volt AC

AP Attaching Part
 CC Commodity Code

Commodity Code Listing

AS Assembly	PL Plastics
BU Bushing	RA Rails
CB Control Board	RC Refrigeration Component
CL Clip	RE Relay
CO Compressor	RI Rivet
CP Clamp	RU Rubber
EL Electrical Component	SC Fastener
FA Fan	SF Sign Face
FU Fuse, Breaker	SL Slide
GA Gasket	SM Screw-Machine
GR Grommet	SP Spring, Auger
HA Harness	ST Stamping, Bracket
HI Hinge	SW Switch
IN Insulation	TA Tape
LA Label, Tag	TC Temperature Control, Thermostat
LE Leg, Leveler	TU Tubing
LO Lock	WA Washer
LP Lamp	WD Wood
MA Manual	WE Welded Assembly
NU Nut	WT Wire Tie
PI Pin	XF Transformer, Ballast

GENERAL INFORMATION

You may order parts from your distributor or from VendNet™. If you have any questions when placing your order, please call and we'll be happy to assist you.

Please provide the following information when placing your order:

- Quantity Required
- Part Number
- Description of the part
- Shipping and Billing Address
- Description

NOTE:

When "Right" and "Left" are used with a part name, it is taken to mean that the person is facing the machine with the door closed.

- Preferred Method of Shipment
- Vendor Model Number
- Customer Account Number
- Serial Number

MINIMUM ORDER \$25.00. You may wish to inquire on prices of parts at the time of your order. If you order less than the minimum, please check our catalog for other parts you may require to bring your order up to the minimum order.

Payment

OPEN ACCOUNT with approved credit.

MASTER CARD - VISA - C.O.D.

To Order By Mail

You may place your order for replacement parts by providing the necessary information as requested above, and mailing your order to:

VendNet™
165 North 10th Street
Waukee, Iowa 50263-0488

Order forms are available upon request from VendNet™, or you may use your own purchase order form.

To Order By Fax

1-515-987-4447

You may Fax your order for replacement parts by providing the necessary information as requested above to VendNet™.

To Order By Phone

USA 1-800-833-4411

Canada 1-800-858-4730

Other locations 1-515-274-3641

You may call in your order for replacement parts. Ask for VendNet™ Parts Department. Please provide the necessary information, as requested above, to allow us to provide you with prompt courteous service.

Returns

RESTOCKING CHARGE 20%. A restocking charge of 20% will apply to merchandise accepted by VendNet™ for return, except items processed as warranty.

All items returned must be accompanied by a Return Form clearly stating the reason for return. Returns are to be shipped freight prepaid to VendNet™, 165 North 10th Street, Waukee, Iowa 50263-0488. (Return Forms are available upon request from VendNet™.)

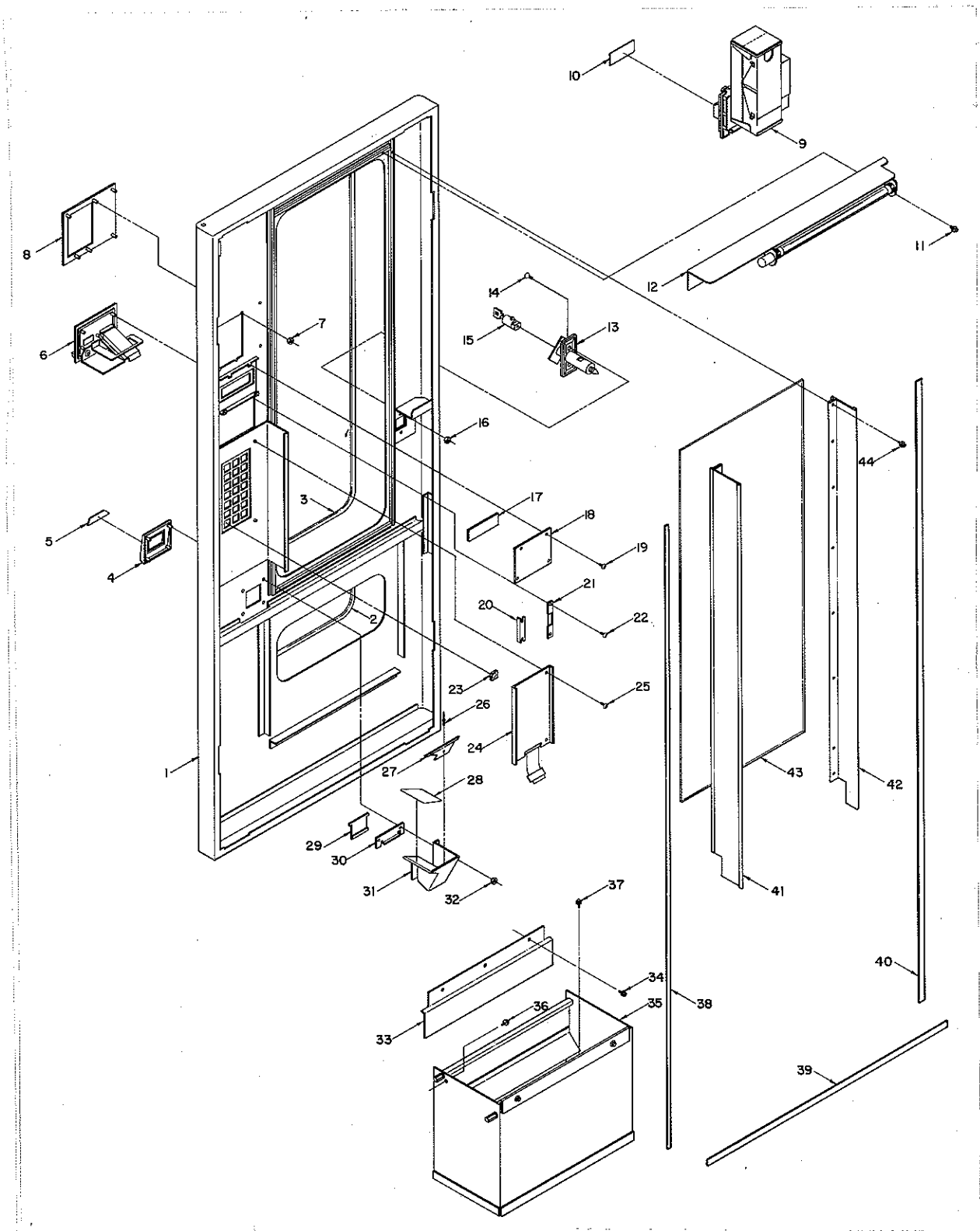
Limitation Of Liability

VendNet™ shall not be liable for any injury, loss or damage, whether direct, incidental or consequential arising out of the use of or the inability to use any part, parts or products sold by VendNet™. The remedies of the buyer set forth herein are exclusive, and the liability of VendNet™. With respect to any contract or sale or anything done in connection herewith, whether in connection therewith, whether in contract, in tort, under any warranty, or otherwise, shall not, except as expressly provided herein, exceed the price of the part, parts or products on which such liability is based. Any statements or representations about the parts or product, other than those contained herein, do not constitute warranties and shall not be relied on by the buyer and shall have no force of effect unless contained in a written agreement signed by officers of VendNet™.

*If you have any questions, we are happy to assist you
Check out our Website: <http://www.vendnetusa.com>
Call VendNet™ and ask for the Parts Department.
E-Mail us at VendNet@Ecity.net*

FINAL ASSEMBLY

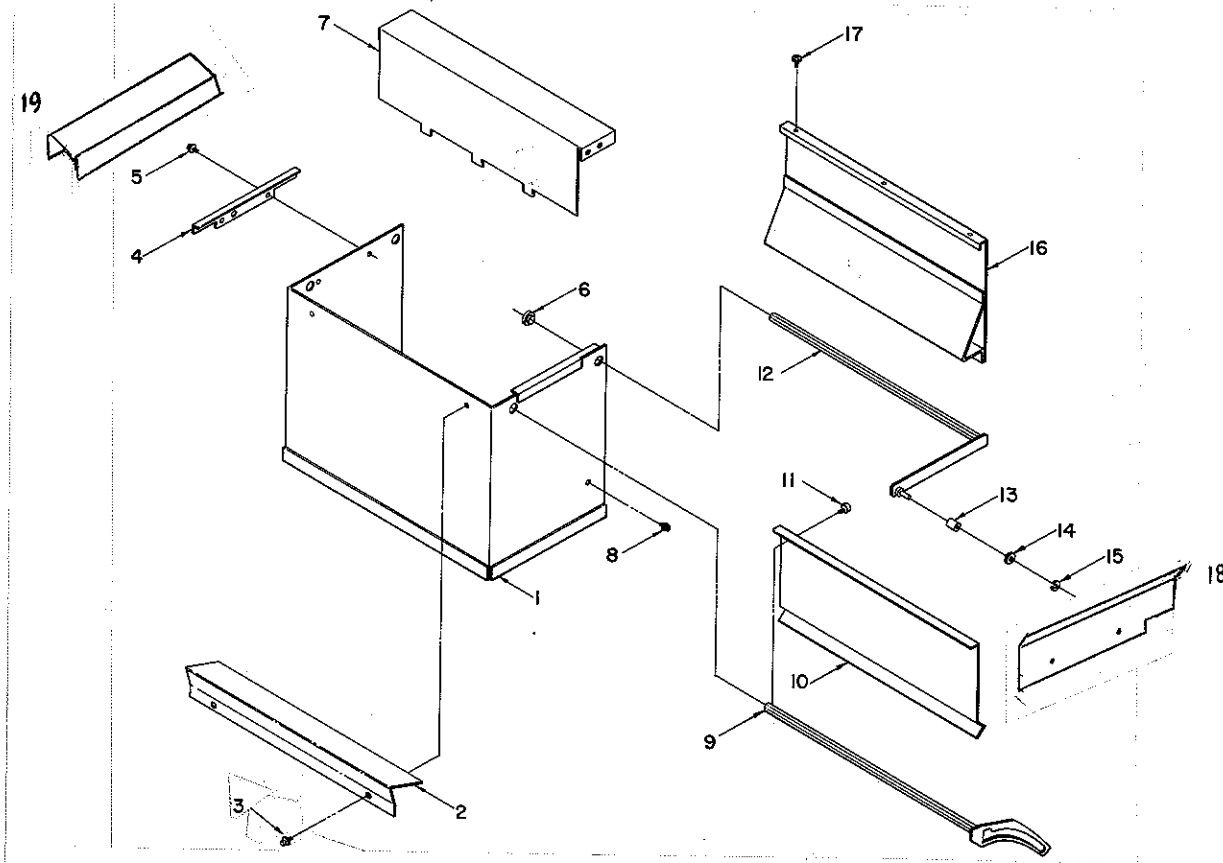
Part Number	Qty	Description	CC
		Common Door Assembly – See Page 3	
		Delivery Box Assembly – See Page 4	
		Light Assembly – See Page 5	
		Coin Insert Cast Assembly – See Page 6	
		Common Cabinet Assembly – See Page 7	
		Control Panel Assembly – See Page 10	
		Tray Configuration – See Page 11	
		Candy Tray Assemblies – See Page 12	
		Snack Tray Assemblies – See Page 13	
1211215-001	1	Service Package	AS
4025748	10	Product Ejector	PL
4200646	1	Keypad Overlay	DE
4201907	1	Validator Plate-Black	ST
4202690	1	Price Label .30-.55	LA
4202690-001	1	Price Label .60-.85	LA
4202690-002	1	Price Label .90-1.15	LA
4202750	1	Warranty Card	PR
4205387	1	GF35 Service Manual	MA
1212142-005	1	Coinco Validator Install GF	AS
4200708-24	1	Validator Harness (24V)	HA
4202789	1	Operating Instruction Label	LA
4203684	1	Validator Data Harness	HA
4205536-024	1	BA32F Validator 4632-4	CM
4200419	1	9302L Coin Mech. Coinco	CM
4200419-CLF	1	9302L-CLF Coin Mech. Coinco - Canada	CM
4203733	1	Control Panel Decal-Grid	DE
4033712	3	Cable Tie 7 3/8"	WT
4050663	4	Rivet	RI



COMMON DOOR ASSEMBLY

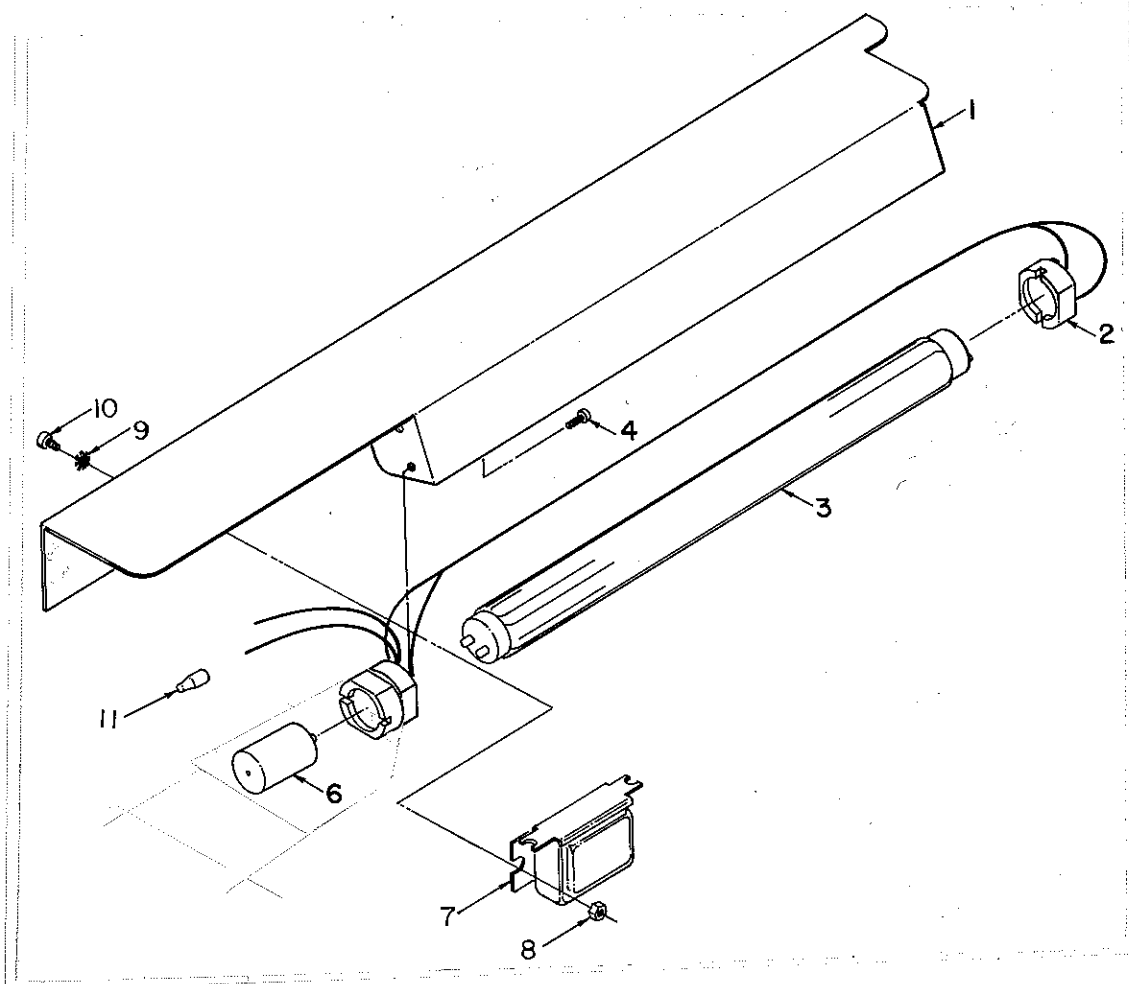
Item	Part Number	Qty	Description	CC
	1212296-005	1	Common Door Assembly	AS
1	1212250-025	1	Door Weld- Gray	WE
2, 3	4025735-900	15.5 Ft	Trim Lok	PL
4	7334281-002	1	Change Bezel/Black	CA
5	7334984-000	1	Change Label	LA
6	1211489	1	Coin Insert Cast Assembly – See Page 6	AS
7	4050513	6	8-32 Twin Whiz Lock Nut	NU
8	1211355-001	1	Validator Mounting Weld/Black	WE
9, 10			Validator Install – See Final Assembly	
11	4050420	1	8-18x1/4 Phillips HWH	SC
12	1211487-001	1	Light Assembly – See Page 5	AS
13	4203486	1	1/4 Turn Handle/Black	LO
14	4050338	2	10-32x1/2 Phillips FH MS	SC
15	4060330	1	Lock Cyl W/2 Keys	LO
16	8800952	2	10-32 Hex Nut W/ETW	NU
17	4200659	1	Readout Window	PL
18	4200660	1	#406721 Readout 90 Select	CB
19	4050120	4	6-32x5/16 Phillips PH Type-T	SC
20	4008717	1	Coin Insert Cast Bracket-Rt	ST
21	4009751	2	Coin Insert Retainer Bracket	ST
22	7200470-002	4	8-32x5/16 Phillips PH	SC
23	4025741	21	Push Button	PL
24	1212028	1	Keypad Assembly	AS
25	4201942	4	6-20x3/16 Phillips PH Type-B	SC
26	4050663	1	Rivet	RI
27	4203166	1	Coin Deflector	ST
28	4201940	1	Coin Stop Decal	LA
29	7200102-000	1	Coin Return Flap	ST
30	7201422-000	1	Anti-Payout Tab	ST
31	7201649-002	1	Coin Cup Return	ST
32	7334982-000	4	.156 Stud Self Thread Nut	NU
33	4205233-001	1	Door Deflector-White	ST
34	4050420	3	8-18x1/4 Phillips HWH	SC
35	1212040-007	1	Delivery Box Assembly – See Page 4	AS
36	4050420	2	8-18x1/4 Phillips HWH	SC
37	4050420	2	8-18x1/4 Phillips HWH	SC
38	4060006-500	5.6 Ft	Tape	TA
39,40	4202255	11.6 Ft	3/4" x 1/4" Door Gasket	GA
41	4202822-001	1	Anti-Theft-Right/Charcoal	ST
42	4202821-001	1	Anti-Theft-Left/Charcoal	ST
43	4203082-001	1	Window – 24-13/16 x 40-5/16	PL
44	4050420	18	8-18x1/4 Phillips HWH	SC
Not Shown	4050202	1	8-18x1/2 Phillips HWH Tek (AP for Item 35)	SC
	4050585	4	#8 Ext Tooth Lockwasher (AP for Item 21)	WA
	8370959-3	2	Locking Clamp 3/4" (AP for Keypad Harness)	CP
	7200468-005	2	6-18x1/4 Phillips TH Type-A	SC

Common Door Assembly: Delivery Box Assembly



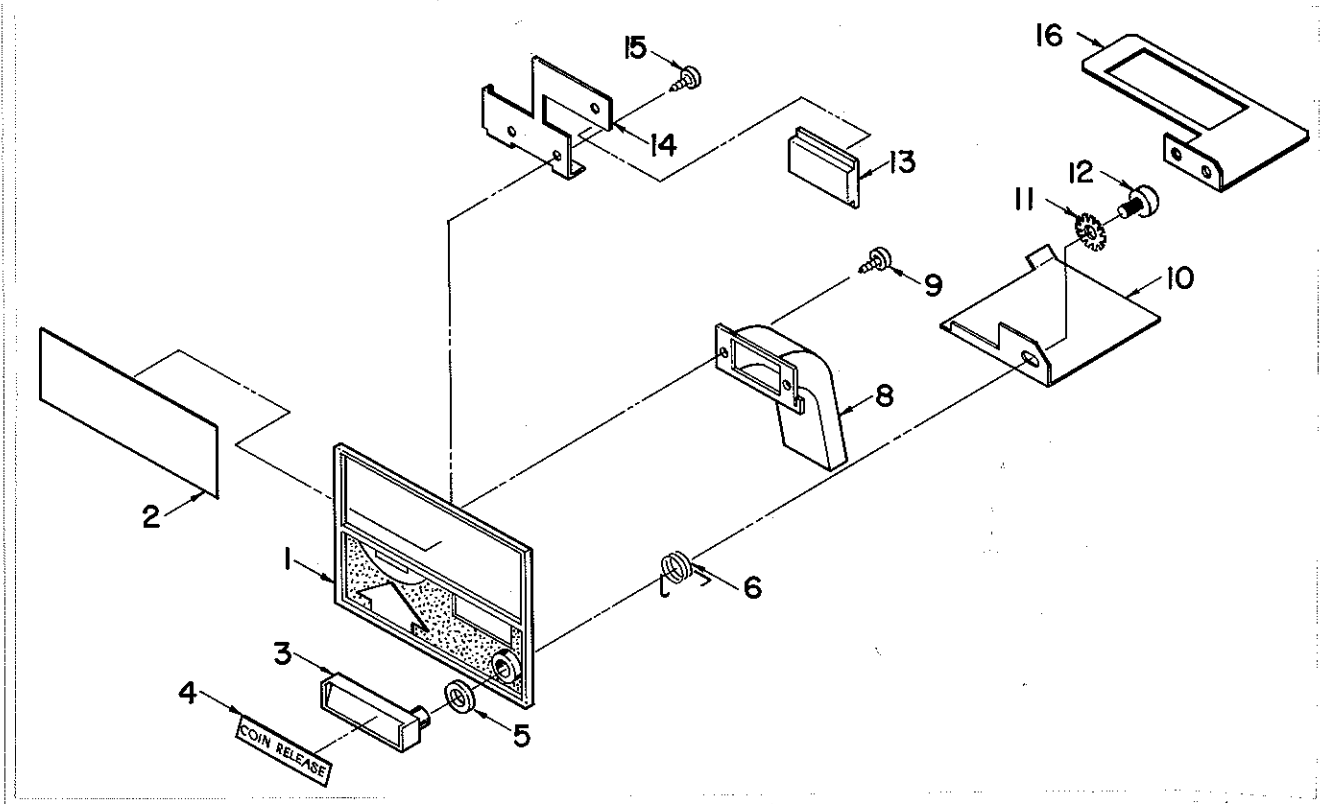
Item	Part Number	Qty	Description	CC
	1212040-007	1	Delivery Box Assembly	AS
1	1212037-004	1	Delivery Weld 4W Charcoal	WE
2	4203373-004	1	Delivery Anti-Cheat/Chr 4W	ST
3	4050423	2	8-18x3/8 Phillips PH Type-AB	SC
4	4205250	1	Delivery Mount - Left	ST
	4203379	1	Delivery Mount - Right	ST
5	4050423	4	8-18x3/8 Phillips PH Type-AB	SC
6	4025263	4	Type 7 Snap-In Nyliner	BU
7	4203377-004	1	Delivery False Box Charcoal	ST
8	4050423	2	8-18x3/8 Phillips PH Type-AB	SC
9	1212252-004	1	Cam/Rod Weld-Zinc	WE
10	4203436-004	1	Rear Delivery Deflector (4W)Chr	ST
11	4050239	3	8-32x3/8 Phillips PH Type-T	SC
12	1212038-006	1	Follower Weld-Zinc	WE
13	4208947	1	Delivery Bushing	BU
14	8801011	6	#8 Flat Washer	WA
15	8801080	1	E-Ring, 5/16	RR
16	1212041-004	1	Delivery Door Weld 4W	WE
17	4050239	3	8-32x3/8 Phillips PH Type-T	SC
18	4205249	1	Delivery Anti-Theft	ST
19	4205251	1	Product Deflector	ST

Common Door Assembly: Light Assembly



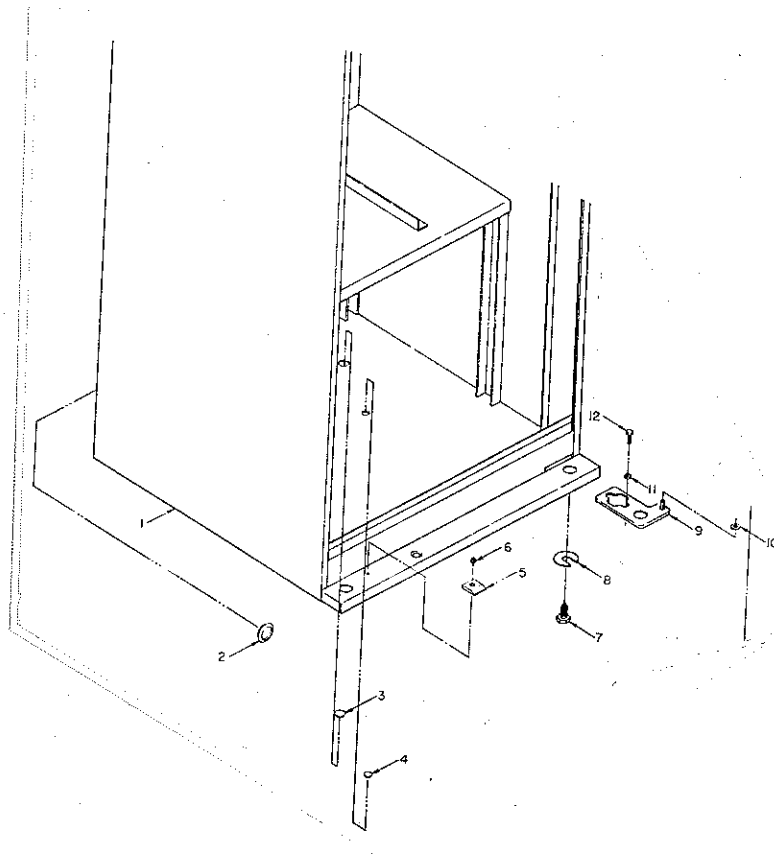
Item	Part Number	Qty	Description	CC
	1211487-001	1	Light Assembly	AS
1	1212151-001	1	Light Bracket Assembly	AS
-	4050420	2	8-18x1/4 Phillips HWH	SC
-	4203099-001	1	Light Reflector-White	ST
-	4205232-001	1	Window Retainer Lower White	ST
2	4203251	1	Light Harness-GF 19	HA
3	4033668	1	Lamp F14T8/CW	LP
4	8800024	2	4-40x3/8 Phillips PH MS	SC
5	Not Used			
6	4033567	1	Starter	EL
7	4033609	1	Ballast	XF
8	8800956	2	8-32 Hex Nut W/ETW	NU
9	4050585	2	#8 Ext Tooth Lockwasher	WA
10	4050240	2	8-32x3/8 Phillips PH MS	SC
11	4033505	2	Closed-End Splice Cap	EL
Not Shown	4060130	2	Press Clip-1/4"	CL

Common Door Assembly: Coin Insert Cast Assembly

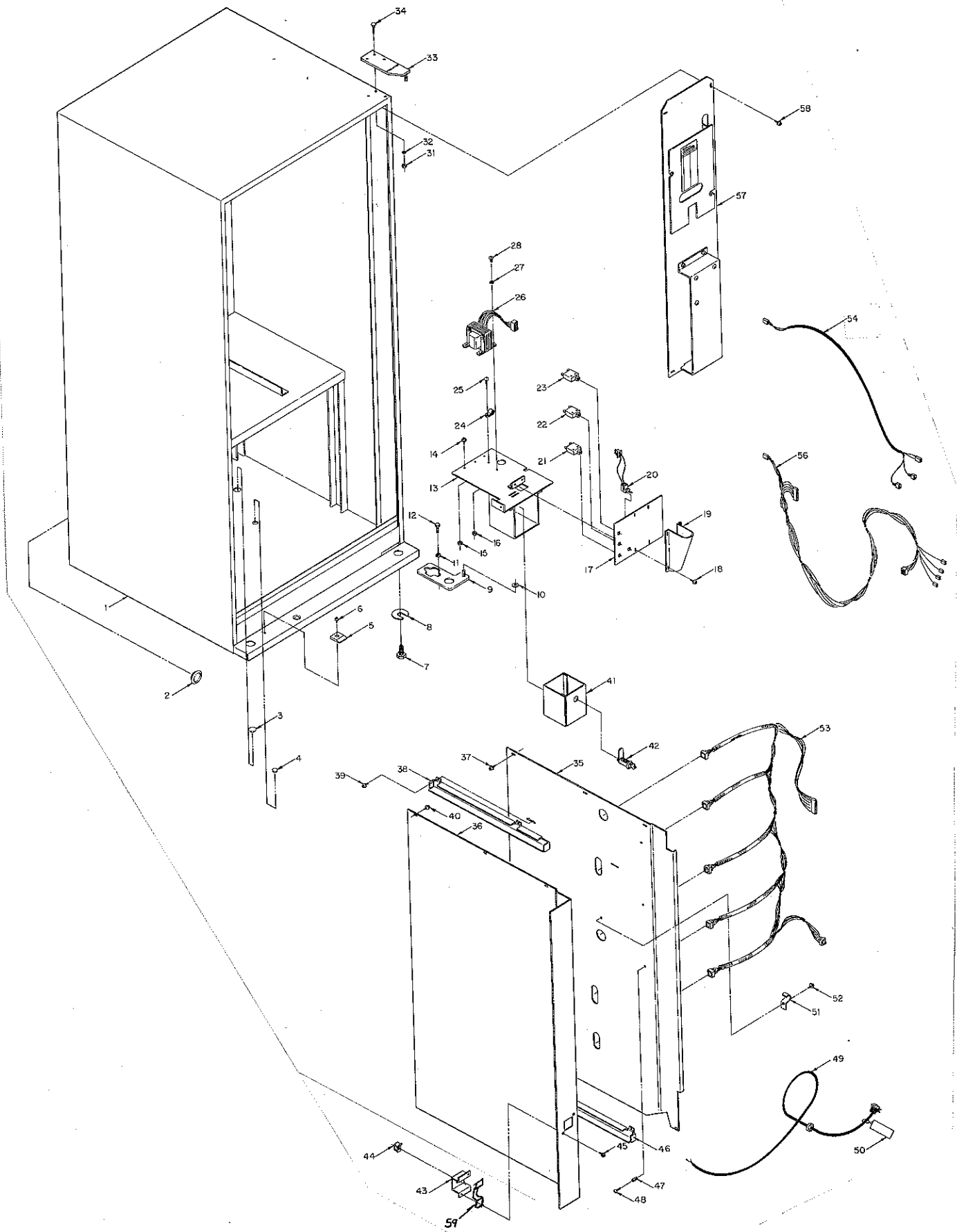


Item	Part Number	Qty	Description	CC
	1211489	1	Coin Insert Cast Assembly	AS
1	4060372-003	1	Coin Insert Casting-Black	CA
2	4020837-001	1	Label-Coin & Dollar-Black	LA
3	7334283-001	1	Coin Release Handle-Black	CA
4	7334370-000	1	Coin Release Decal	LA
5	7100816-000	1	3/8 Flat Washer-Nylon	WA
6	7091076-100	1	Torsion Spring 11/32	SP
7	Not Used			
8	1212097-001	1	Coin Chute-Weld	WE
9	4201942	3	6-20x3/16 Phillips PH Type-B	SC
10	4203165	1	Lever-Coin Release	ST
11	7200717-008	1	#12 Int/Ext Lockwasher	WA
12	7200469-020	1	1/4-28x1/2 Phillips TH MS	SC
13	4025725	1	Filler Plug-1.531"	PL
14	4202056	1	Coin Chute Retainer	ST
15	7310057-000	2	6-20x1/4 Phillips TH Type-B	SC
16	4203620	1	Coin Chute-Retainer	ST

COMMON CABINET ASSEMBLY



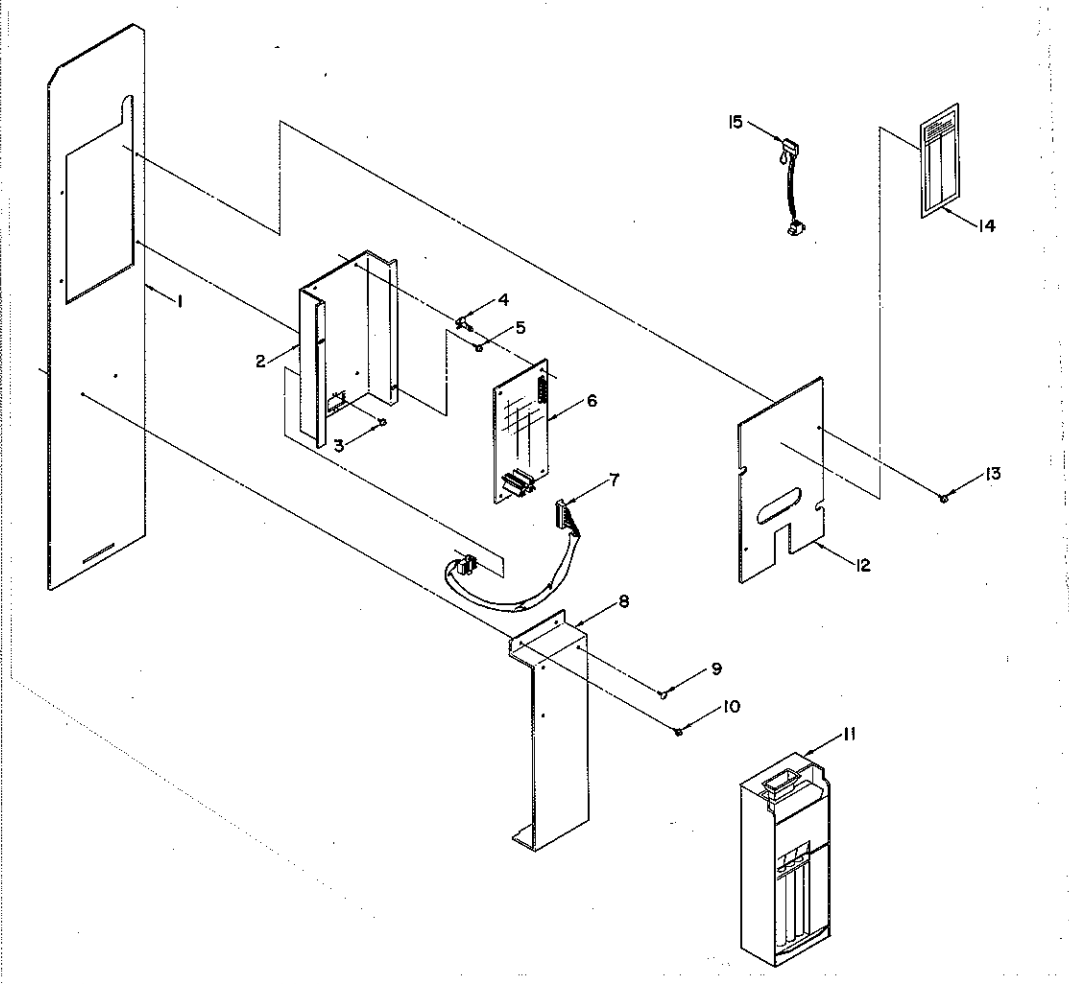
Item	Part Number	Qty	Description	CC
1	1212251-005	1	Cabinet Weld- Gray	WE
2	7250135-007	1	Hole Plug, BPF-2 1/4"	PL
3	7250135-003	5	Hole Plug, BPF-3/4"	PL
4	7250135-001	2	Hole Plug, BPF-1/2"	PL
5	4025610	1	Door Glide	PL
6	4050202	1	8-18x1/2 Phillips HWH Tek	SC
7	4060310	4	Leg Leveler	LE
8	4009927	4	5/8 Slotted Leg Leveler Washer (For Shipping)	WA
9	1211483-005	1	Bottom Hinge Stake	RA
10	4050767	2	3/8 Flat Washer-Nylon	WA



COMMON CABINET ASSEMBLY CONTINUED

Item	Part Number	Qty	Description	CC
11	7186148-000	2	5/16 Split Lockwasher-Plated	WA
12	4050072	2	5/16-18x3/4 HCS Plated	SC
13	1212595	1	Coin Box Holder Weld Charcoal	WE
14	4050202	3	8-18x1/2 Phillips HWH Tek	SC
15,16	4050513	5	8-32 Twin Whiz Lock Nut	NU
17	4202350	1	Transformer Shield	ST
18	4050202	4	8-18x1/2 Phillips HWH Tek	SC
19	4203177	1	Coin Chute	ST
20	1211403	1	Toggle Switch Assembly	HA
21	4202092-003	1	Circuit Breaker 5 Amp	EL
22	4202092-002	1	Circuit Breaker 3 Amp	EL
23	4202092-001	1	Circuit Breaker 1.5 Amp	EL
24	4060116	1	Plastic Wire Clamp 3/8	CL
25	4050240	1	8-32x3/8 Phillips PH MS	SC
26	1200323	1	Transformer Assembly	XF
27	4050585	2	#8 Ext Tooth Lockwasher	WA
28	4050240	2	8-32x3/8 Phillips PH MS	SC
31	4050066	3	5/16-18 Hex Nut-Plated	NU
32	7186148-000	3	5/16 Split Lockwasher-Plated	WA
33	1211426-005	1	Upper Hinge Stake	RA
34	4050099	3	5/16-18 X 3/4 Carr Bolt	SC
35	1211212	1	Right Panel Weld-Black	WE
36	4205231	1	Left Side Panel-Black	ST
37	4050202	9	8-18x1/2 Phillips HWH Tek	SC
38	4003717-001	3	Drawer Guide-Snack Left	ST
	4003717-000	2	Drawer Guide-Candy Left	ST
39	4050202	7	8-18x1/2 Phillips HWH Tek	SC
40	4050202	12	8-18x1/2 Phillips HWH Tek	SC
41	1101137	1	Coin Box Weld Assembly 15 Col.	WE
42	4060366-001	1	Lock-Com Box	LO
43	4205335	1	1/4 Turn Nut Mount	ST
44	4203634	1	Split Nut Assembly	NU
45	4050202	2	8-18x1/2 Phillips HWH Tek	SC
46	4003717-000	3	Drawer Guide-Snack Right	ST
	4003717-001	2	Drawer Guide-Candy Right	ST
47	4060174	6	Rolled Split Spacer 3/8	BU
48	4050241	6	8-18x 3/4 Phillips PH Type-AB	SC
49	4033631-003	1	Power Cable-19	HA
50	8620494	1	Tag-Plug Warning	LA
51	4050750-000	5	1/2" Conduit Clamp	CP
52	4050202	5	8-18x1/2 Phillips HWH Tek	SC
53	4202364	1	Primary Power Harness	HA
54	4202978	1	Primary Adaptor Harness	HA
56	4202980	1	Secondary Power Harness	HA
57	1211168-001	1	Control Panel Assembly	AS
58	4050202	6	8-18x1/2 Phillips HWH Tek	SC
59	4205538	1	Nut Retainer (AP for Item 44)	ST
Not	4050202	3	8-18x1/2 Phillips HWH Tek (AP for Items 17&57)	SC
Shown	4201666-000	2	Hole Plug (Back of Cabinet)	PL
	7250135-000	2	Hole Plug, BP-1 3/8"	PL
	4050240	6	8-32x3/8 Phillips PH MS	SC
	4050513	2	8-32 Twin Whiz Lock Nut	NU
	4070075	2	Knockaway Supports (Used for Shipping)	WD
	8800638	2	10-16x3/8 Phillips PH Type-B	SC

Common Cabinet Assembly: Control Panel Assembly

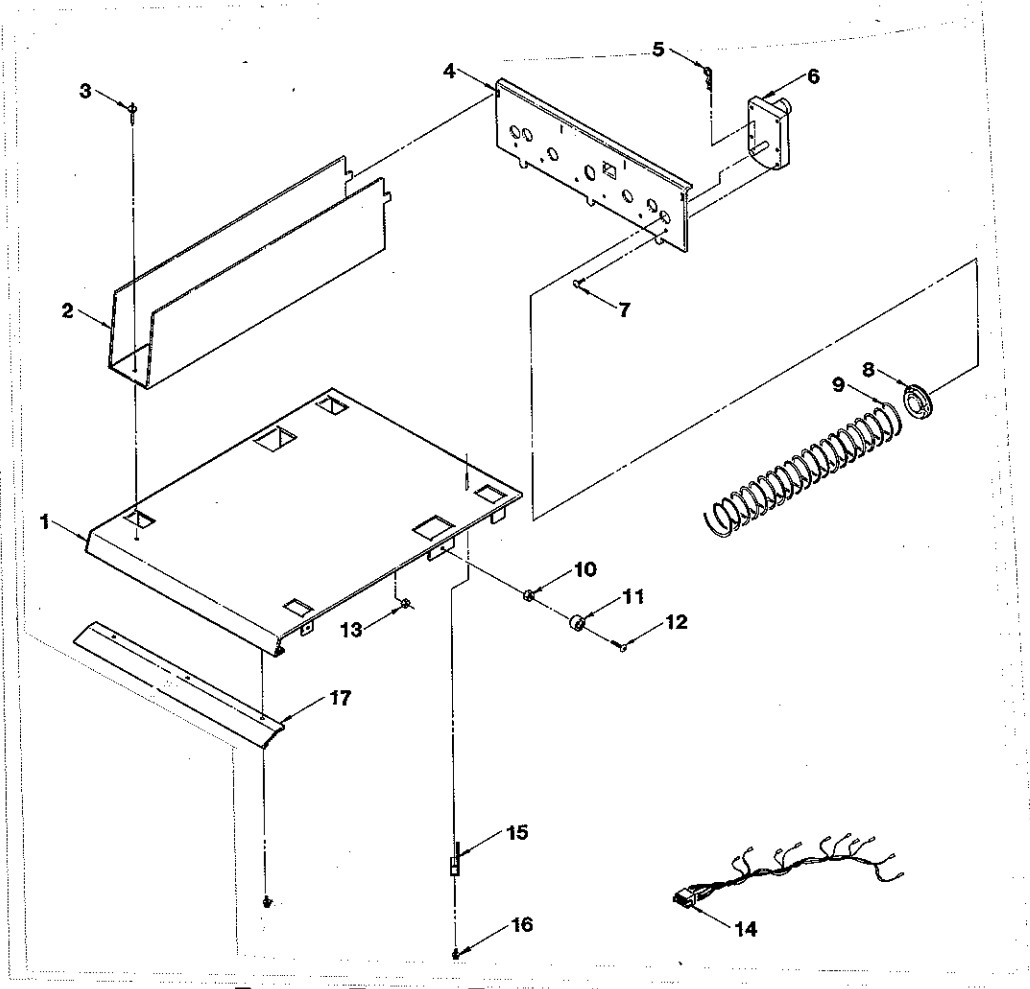


Item	Part Number	Qty	Description	CC
	1211168-001	1	Control Panel Assembly	AS
1	4202304-002	1	Ctrl Mounting Panel Charcoal	ST
2	4202307-002	1	Bracket-Ctrl Board Charcoal	ST
3	4050420	2	8-18x1/4 Phillips HWH	SC
4	4025723	4	Controller Stand-Off	PL
5	4050202	2	8-18x1/2 Phillips HWH Tek	SC
6	4202210	1	#407209-1 Logic Board	CB
7	4202832	1	Coin Mech Harn (15pin)	HA
8	4202812	1	Coin Mech Mounting Bracket	ST
9	4050180	3	8-18x1/2 Phillips PH Tek	SC
10	4050202	2	8-18x1/2 Phillips HWH Tek	SC
11		1	Coin Mech - See Final Assembly	
12	4202305	1	Circuit Board Cover-Black	ST
13	4050202	2	8-18x1/2 Phillips HWH Tek	SC
14	4201661	1	Control Board Instructions	LA
15	4202977	1	Display/Keypad Harness	HA
Not Shown	8620711	1	Power Switch Warning Label	LA

TRAY CONFIGURATIONS

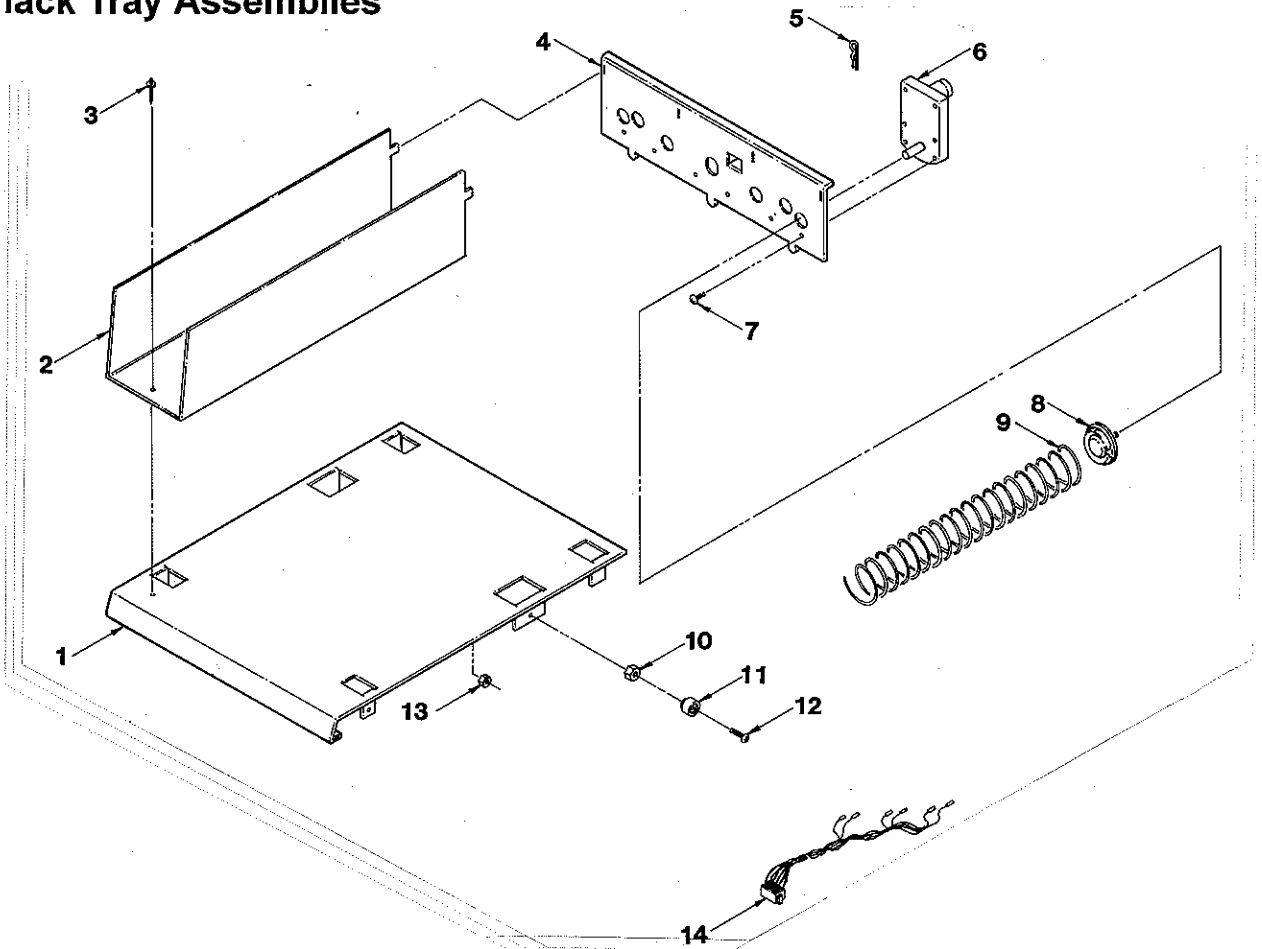
Part Number	Description	Domestic	Canadian	CC
1212301	Tray Configuration – Domestic	1		AS
1212301-001	Tray Configuration – Canadian		1	AS
1212293	Candy Tray Assembly-Upper – See Next Page	1		AS
1212293-001	Candy Tray Assembly-Lower – See Next Page	1	1	AS
1212293-002	Candy Tray Assembly-10/12 Ct.– See Next Page		1	AS
1212294	5 Snack/10 Ct. Tray Assembly – See Page 13	1		AS
1212295	6 Snack/10 Ct. Tray Assembly – See Page 13	2	1	AS
1212294-001	5 Snack/8 Ct. Tray Assembly – See Page 13		2	AS
4050202	8-18x1/2 Phillips HWH Tek (AP for Tray Lip)	10	10	SC
4205248	Main Harness 35	1	1	HA
4205342	Sel Strip-Snack A1-A5	1	1	LA
4205342-001	Sel Strip-Snack B1-B5		1	LA
4205343-001	Sel Strip-Snack B1-B6	1	1	DE
4205343-002	Sel Strip-Snack C1-C6	1	1	DE
4205344-003	Sel Strip-Candy D1-D9	1	1	DE
4205344-004	Sel Strip-Candy E1-E9	1	1	DE

Candy Tray Assemblies



Item	Part Number	Tray Upper	Tray Lower	Tray 10/12	Description	CC
	1212293	1			Candy Tray Assembly-Upper	AS
	1212293-001		1		Candy Tray Assembly-Lower	AS
	1212293-002			1	Candy Tray Assembly -- 10/12 Ct.	AS
1	4205235	1	1	1	Product Tray Base/Charcoal	ST
2	4205236	5	5	5	Candy Divider/Charcoal	ST
3	7201418-003	5	5	5	Rivet, Avdel 1821-0406	RI
4	4205237	1	1	1	Candy Motor Back/Charcoal	ST
5	4050773-001	9	9	9	Hitch Pin	WF
6	4034342	9	9	9	24VDC Motor-360 Degree	MO
7	8800636	9	9	9	8-18x1/2 Phillips PH Type-B	SC
8	4025745	9	9	9	Coupling-Auger	PL
9	4202314-001	9	9	8	Auger 12 Candy/Black	WF
	4202314-008			1	Auger 10 Candy/Black	WF
10	4050531	4	4	4	1/4-20 Hex Nut	NU
11	4060172	4	4	4	Roller-Nylon	PL
12	4050253	4	4	4	8-32x5/8 Phillips RH Screw	SC
13	4050511	4	4	4	8-32 Nut-Two Way Lock	NU
14	4205246	1	1	1	9 Sel Candy Harness 35	HA
15	4205234	1	1	1	Plug Bracket	ST
16	4050420	1	1	1	8-18x1/4 Phillips HWH	SC
17	4205238		1		Tray Lip/Charcoal	ST

Snack Tray Assemblies



Item	Part Number	5-Select 10 Count	6-Select 10 Count	5-Select 8 Count	Description	CC
	1212294	1			5 Snack 10 Count	AS
	1212295		2		6 Snack 10 Count	AS
	1212294-001			2	5 Snack 8 Count	AS
1	4205235	1	1	1	Product Tray Base/Charcoal	ST
2	4202300	3		3	5-Snack Divider/Black	ST
	4205241		3		6-Snack Divider/Charcoal	ST
	4205242		1		Half Snack Divider /Black	ST
3	7201418-003	3	4	3	Rivet, Avdel 1821-0406	RJ
4	4205240	1	1	1	Snack Motor Back/Charcoal	ST
5	4050773-001	5	6	5	Hitch Pin	WF
6	4034342	5	6	5	24VDC Motor-360 Degree	MO
7	8800636	5	6	5	8-18x1/2 Phillips PH Type-B	SC
8	4025745	5	6	5	Coupling-Auger	PL
9	4202314	5	6		Auger 10 Snack/Black	WF
	4202314-007			5	Auger 8 Snack/Black	WF
10	4050531	4	4	4	1/4-20 Hex Nut	NU
11	4060172	4	4	4	Roller-Nylon	PL
12	4050253	4	4	4	8-32x5/8 Phillips RH Screw	SC
13	4050511	4	4	4	8-32 Nut-Two Way Lock	NU
14	4205247	1	1	1	5-6 Sel Snack Harness	HA
Not Shown	4009848-001	1	1	1	Plug Bracket	ST