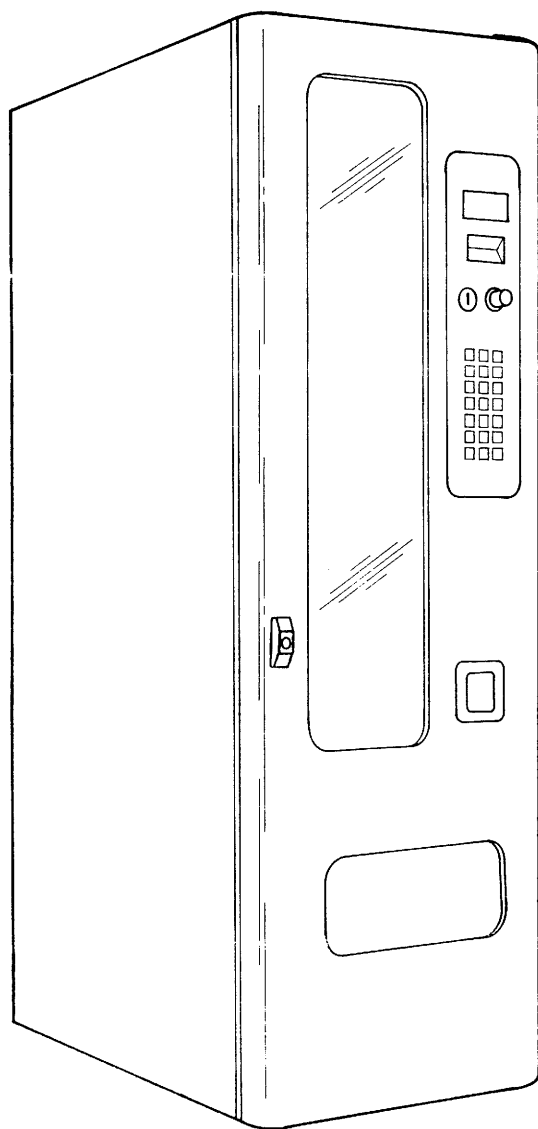




GLASS FRONT MERCHANTISER

10-, 12-, and 15-Select Model 3051



PARTS MANUAL

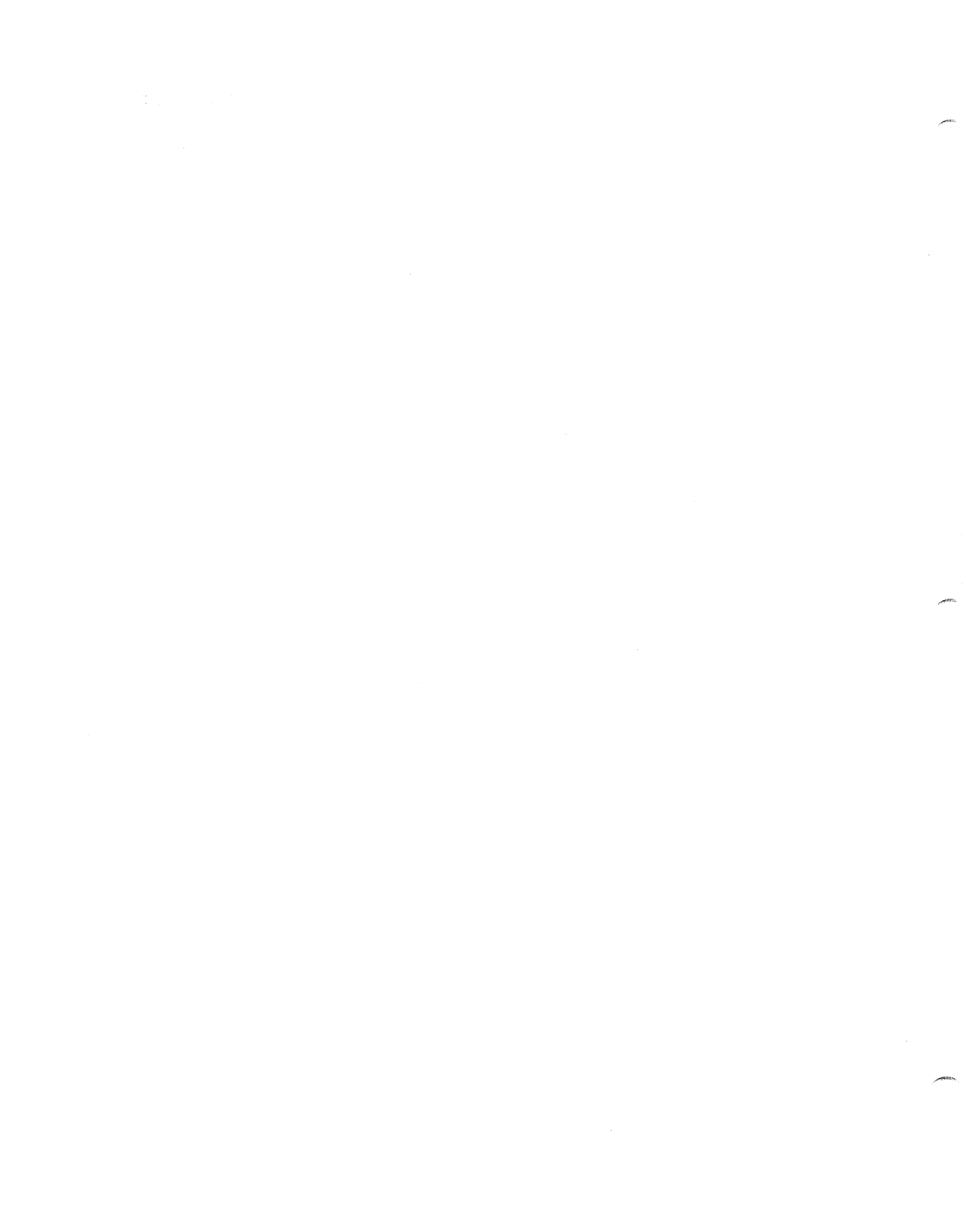


TABLE OF CONTENTS

GENERAL INFORMATION.....	ii	TRAY CONFIGURATION.....	8
FINAL ASSEMBLY	1	Tray Assembly	9
COMPLETE DOOR ASSEMBLY	2	COMPLETE CABINET ASSEMBLY	10
Coin Insert Assembly	4	Transformer Assembly	12
Light Assembly	5		
Delivery Assembly.....	7		

KEY

24V	24 Volt	A/R	As Required
115V	115 Volt AC	AP	Attaching Part
230V	230 Volt AC	CC	Commodity Code

COMMODITY CODES

AS	Assembly	PL	Plastics
BU	Bushing	RA	Rails
CB	Control Board	RC	Refrigeration Component
CL	Clip	RE	Relay
CO	Compressor	RI	Rivet
CP	Clamp	RU	Rubber
EL	Electrical Component	SC	Fastener
FA	Fan	SF	Sign Face
FU	Fuse, Breaker	SL	Slide
GA	Gasket	SM	Screw-Machine
GR	Grommet	SP	Spring, Auger
HA	Harness	ST	Stamping, Bracket
HI	Hinge	SW	Switch
IN	Insulation	TA	Tape
LA	Label, Tag	TC	Temperature Control, Thermostat
LE	Leg, Leveler	TU	Tubing
LO	Lock	WA	Washer
LP	Lamp	WD	Wood
MA	Manual	WE	Welded Assembly
NU	Nut	WT	Wire Tie
PI	Pin	XF	Transformer, Ballast

GENERAL INFORMATION

You may order parts from your distributor or from VendNet™. If you have any questions when placing your order, please call and we'll be happy to assist you. Please provide the following information when placing your order:

- Quantity Required
- Part Number
- Description of part

NOTE

When "Right" and "Left" are used with a part name, it is taken to mean that the person is facing the machine with the door closed.

- Vendor Model Number
- Vendor Serial Number
- Shipping and Billing Address
- Preferred Method of Shipment
- Customer Account Number

You may wish to inquire on prices of parts and minimum order amount at the time of your order. If you order less than the minimum, please check our catalog for other parts you may require to bring your order up to the minimum amount.

VendNet™ reserves the right to change these requirements without notice.

Payment

OPEN ACCOUNT with approved credit.

MASTER CARD – VISA – DISCOVER – C.O.D.

To Order by Mail

You may place your order for parts by providing the necessary information as requested above, and mailing your order to:

VendNet™
165 North 10th Street
Waukee, Iowa 50263-0488

Order forms are available upon request from VendNet™, or you may use your own purchase order form.

To Order by Fax

You may Fax your order for replacement parts by providing the necessary information as requested above to VendNet™.

1-515-987-4447

To Order by Phone

USA 1-800-833-4411

Canada 1-800-858-4730

Other locations 1-515-274-3641

You may call in your order for replacement parts. Ask for VendNet™ Parts Department. Please provide the necessary information, as requested above, to allow us to provide you with prompt courteous service.

Returns

RESTOCKING CHARGE 20%. A restocking charge of 20% will apply to merchandise accepted by VendNet™ for return, except items processed as warranty.

All items returned must be accompanied by a Return Form clearly stating the reason for return. Returns are to be shipped freight prepaid to VendNet™, 165 North 10th Street, Waukee, Iowa 50263-0488. (Return Forms are available upon request from VendNet™.)

Limitation of Liability

VendNet™ shall not be liable for any injury, loss or damage, whether direct, incidental or consequential arising out of the use of or the inability to use any part, parts or products sold by VendNet™. The remedies of the buyer set forth herein are exclusive, and the liability of VendNet™. With respect to any contract or sale or anything done in connection herewith, whether in connection therewith, whether in contract, in tort, under any warranty, or otherwise, shall not, except as expressly provided herein, exceed the price of the part, parts or products on which such liability is based. Any statements or representations about the parts or product, other than those contained herein, do not constitute warranties and shall not be relied on by the buyer and shall have no force of effect unless contained in a written agreement signed by officers of VendNet™.

If you have any questions, check out our Website

<http://www.vendnetusa.com>

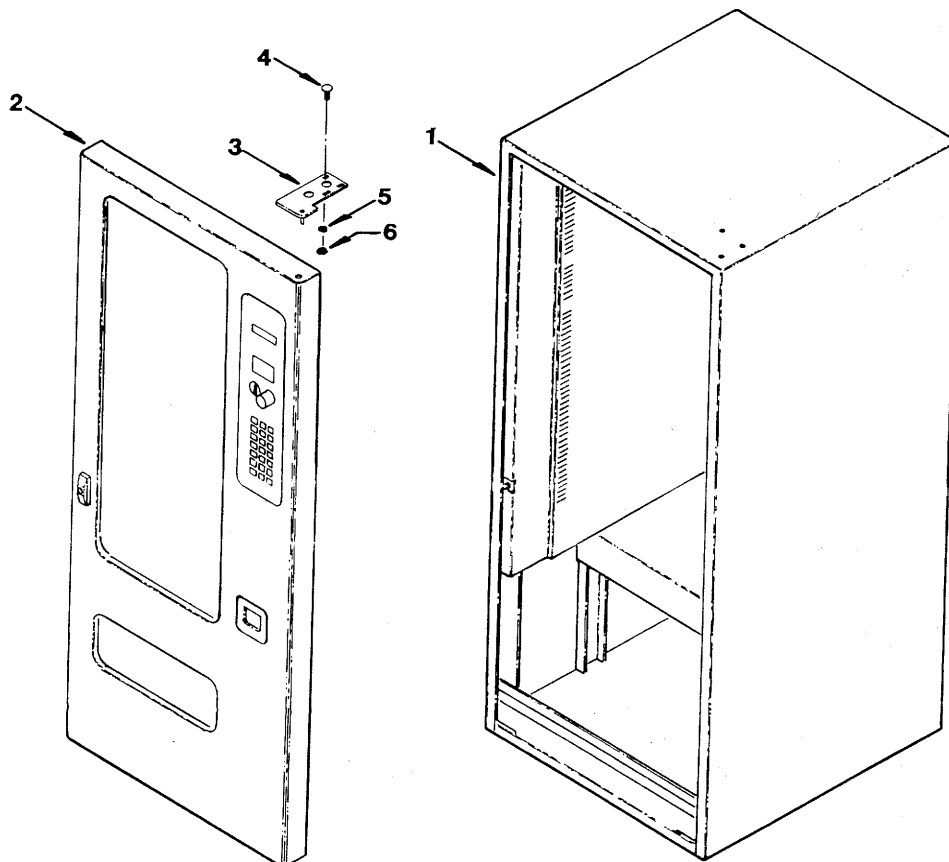
or please call VendNet™.

Ask for the Parts Department.

We will be happy to assist you.

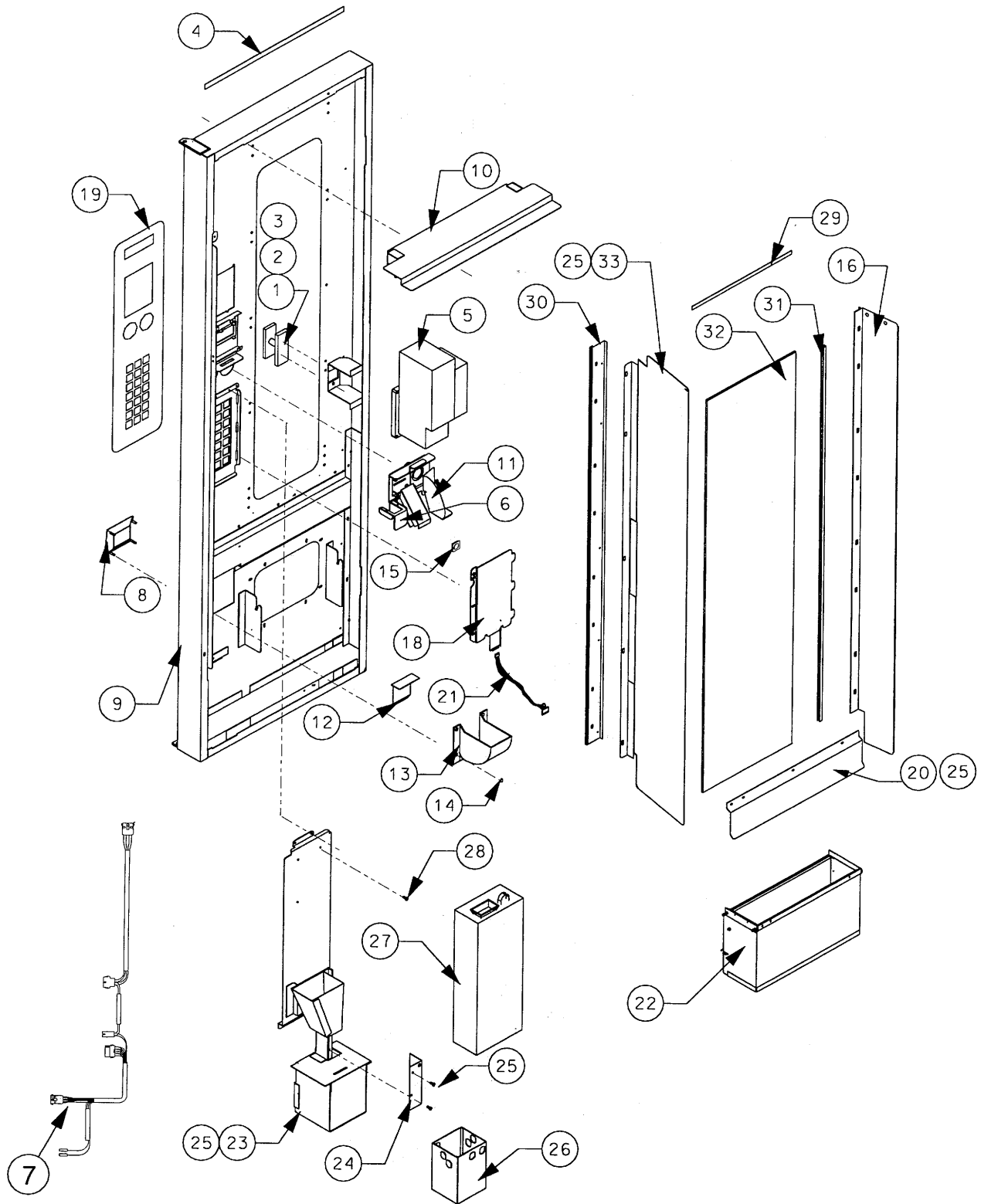
E-Mail: VendNet@Ecity.net

FINAL ASSEMBLY



Item	Part Number	Qty	Description	CC
1	1212732-001	1	Complete Cabinet Assembly – See Page 10	AS
2	1212731-001	1	Complete Door Assembly – See Page 2	AS
3	1212055-012	1	Upper Hinge Plate	RA
4	4050099	3	5/16-18x3/4 Carriage Bolt	SC
5	7186148-000	3	5/16 Lock Washer	WA
6	4050066	3	5/16-18 Hex Nut	NU
Not	4050767	1	3/8" Nylon Washer	WA
Shown	1212726-xxx	1	Tray Configuration – See Page 9	AS
	1212724-012	1	Service Package 3051	AS
	4025748	A/R	Product Ejector	PL
	4206346	1	Service Manual-3051	MA
	4207017	1	Mode Switch Instructions	PR
	1214208-001	1	Coinco Coin Mech Installation	
	4200419	1	93021 Coin Mech Coinco	CM
	4203715	1	Coin Mech Harness	HA
	8800636	3	8-18x1/2 Phillips PH Type-B	SC
	1214209-001	1	Coinco Validator Installation	
	1214137	1	Validator Plate Stake Coinco A	RA
	4205536-024	1	Ba32f Validator 4632-4	CM
	4207281-001	1	Dollar Bill Decal	DE
	4207661	1	Validator Harness-Coinco	HA
	8800956	4	8-32 Hex Nut W/Etw	NU
	4205698	1	Anti-Tilt Retainer	ST
	4205722	1	Anti-Tilt	ST

COMPLETE DOOR ASSEMBLY

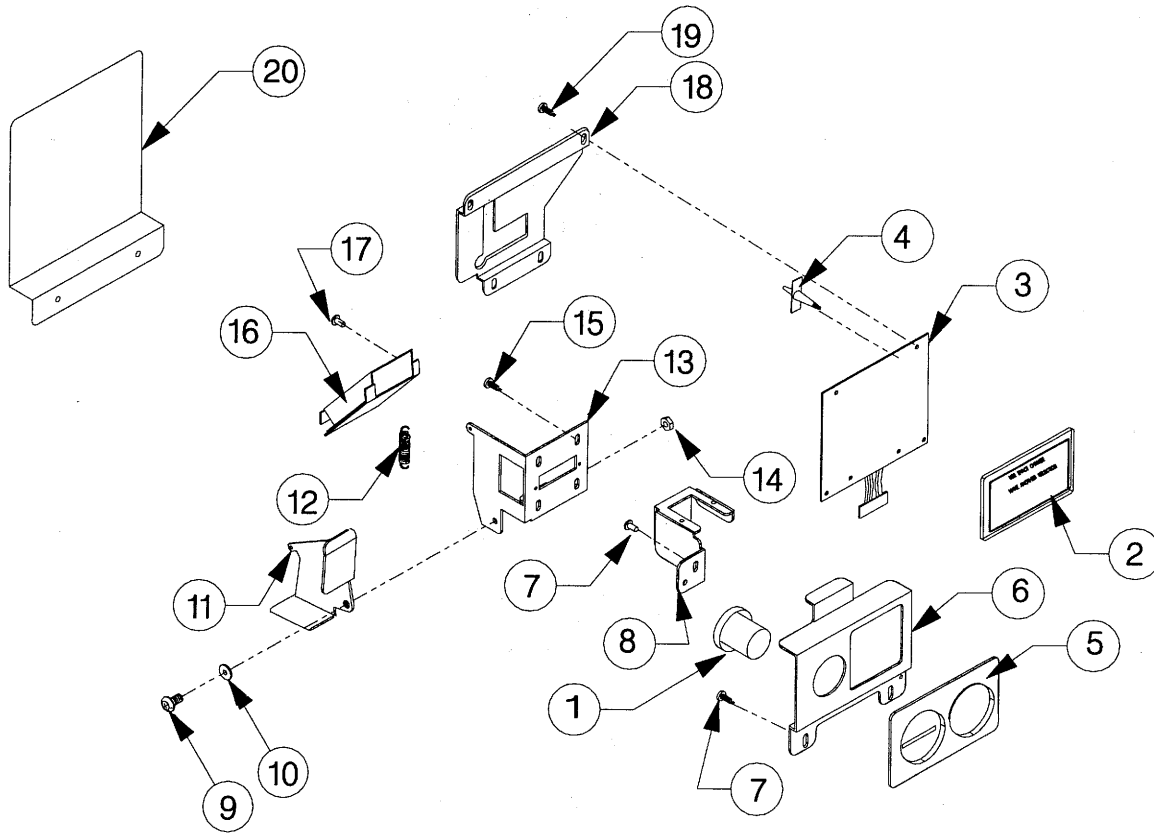


COMPLETE DOOR ASSEMBLY

Item	Part Number	Qty	Description	CC
	1212731-001	1	Door Assembly Model 3051	AS
1	4203486-002	1	1/4 Turn Handle Charcoal	LO
2	4050338	2	10-32x1/2 Phillips FH MS (AP for Previous)	SC
3	8800952	2	10-32 Hex Nut W/ETW (AP for Previous)	NU
4	4060006	5.58 FT	Foam Tape ¼	TA
5			Validator – See Final Assembly	
6	4205715	1	Plug Bracket – Charcoal	ST
7	4207532	1	Door Harness	HA
8	4203209	1	Coin Cup Bezel	PL
9	1214140-002	1	Door Weld – Charcoal 3051	WE
10	1214144	1	Light Assembly 3051 – See Page 5	AS
11			Coin Insert Assembly – See Page 4	
12	4203208	1	Coin Cup Door	PL
13	4203207	1	Coin Cup	PL
14	4203477	4	1/4 Nut (AP for Previous)	NU
15	4025741	21	Push Button	PL
16	4207441	1	Door Partition/Right Raw	ST
18	1212028-001	1	Keypad Assembly	AS
19	4207564	1	Selection Decal, Coinco	DE
20	4205680	1	Product Deflector – Charcoal	ST
21	4206412	1	Keypad Harness-3051	HA
22	1212040-002	1	Delivery Assembly – See Page 6	AS
23	1212635	1	Coinage Weld – Charcoal	WE
24	4205744	1	Chute Cover - Charcoal	ST
25	4050423	11	8-18x3/8 Phillips PH Type-Ab	SC
26	1101137	1	Coin Box Weld Assembly 15 Col.	WE
27			Coin Mechanism – See Final Assembly	
28	8800638	3	10-16x3/8 Phillips PH Type-B	SC
29	4202255	9.1670 FT	Gasket 1/4x3/4 W/Adhv	GA
30	4205748	1	Display Retainer-Side – Charcoal	ST
31	4025735	12	Trim-Loc V Plastic-Blk – Edge Guard 1 Ft	PL
32	4203082-002	1	Display Window – 3/16x8-1/x41-3/4”	PL
33	4205737	1	Anti-Theft, Right- Charcoal	ST
Not Shown	4033712	1	Cable Tie 7 3/8"	WT
	4050180	3	8-18x1/2 Phillips PH Tek Plated	SC
	4050420	33	8-18x1/4 Phillips HWH	SC
	4050513	1	8-32 Twin Whiz Lock Nut	NU
	4050585	1	#8 Ext Tooth Lockwasher	WA
	4050747	4	1/4 Stamped Hex Nut Plated (AP for Item 13)	NU
	4205031	1	Coin Mechanism Warning Label (Use with Item 27)	LA
	4206408	1	Power Distribution Harness	HA
	4201942	2	6-20x3/16 Phillips PH Type-B	SC
	8800636	1	8-18x1/2 Phillips PH Type-B	SC
	4201942	2	6-20x3/16 Phillips PH Type-B	SC

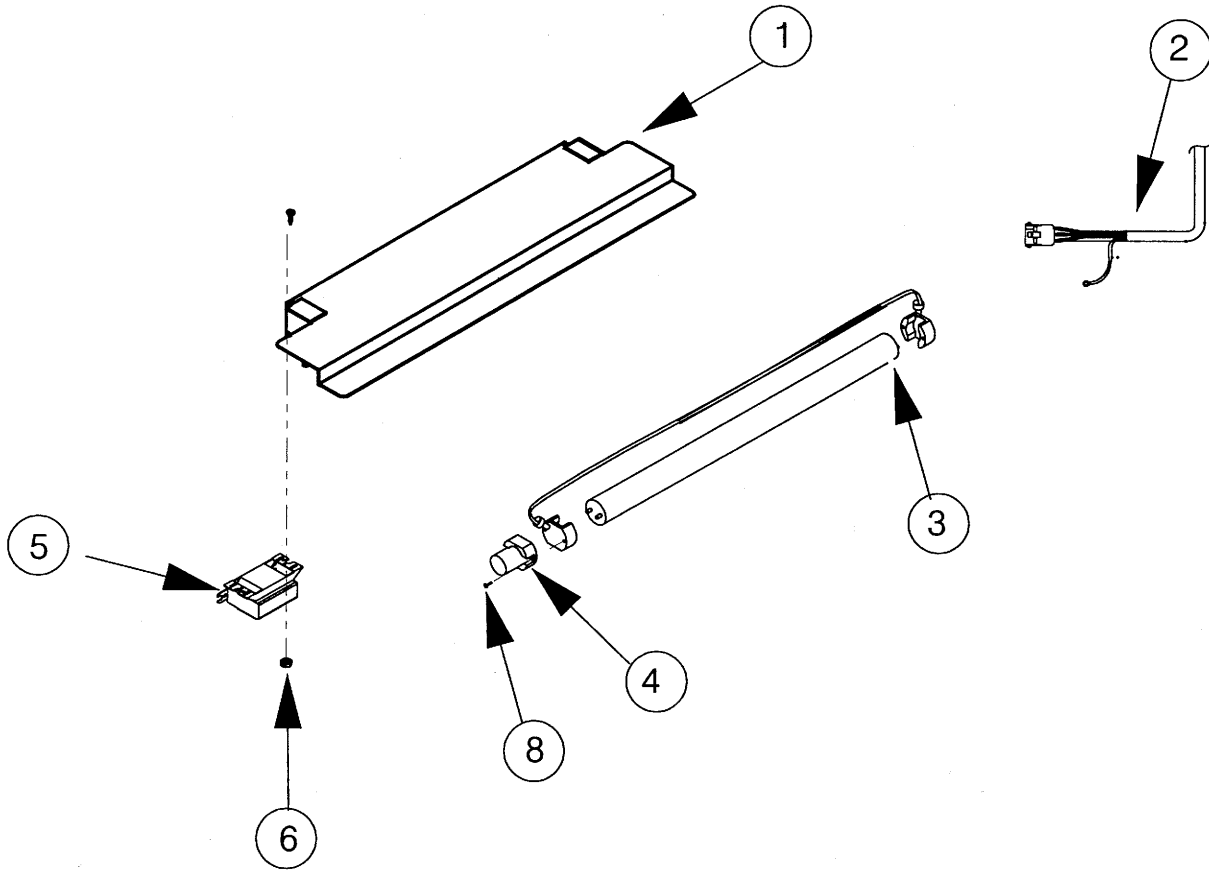
COMPLETE DOOR ASSEMBLY continued

Coin Insert Assembly



Item	Part Number	Qty	Description	CC
1	4203187	1	Coin Return Button	PL
2	4202841-003	1	Readout Window – Specify Language	PL
3	4207525	1	Control Board Cd24, 3051	CB
4	4025738	4	Stand-Off (AP for Item 3)	PL
5	4203186-004	1	Coin Insert Black 1 1/8	PL
6	4207591	1	Coin Insert Retainer	ST
7	4050423	3	8-18x3/8 Phillips PH Type-Ab (AP for Items 6 and 8)	SC
8	4205715	1	Plug Bracket – Charcoal	ST
9	8800636	1	8-18x1/2 Phillips PH Type-B (AP for Item 11)	SC
10	4030100-001	2	Bushing-Spacer.10	BU
11	4207402	1	Coin Return Lever/Zinc	ST
12	4021020	1	Spring 9/32 X 1 3/32	SP
13	4207403-001	1	Coin Chute Mount - Charcoal	ST
14	4050513	1	8-32 Twin Whiz Lock Nut	NU
15	4050423	4	8-18x3/8 Phillips PH Type-Ab (AP for Item 13)	SC
16	1212097-001	1	Coin Chute-Weld-Zn	WE
17	4050423	4	8-18x3/8 Phillips PH Type-Ab	SC
18	4205723	1	Readout Retainer – Charcoal	ST
19	4050423	4	8-18x3/8 Phillips PH Type-Ab (AP for Previous)	SC
20	4207769	1	Board Cover – No Validator	ST
Not Shown	4205985	1	Mode Change Lever	PL

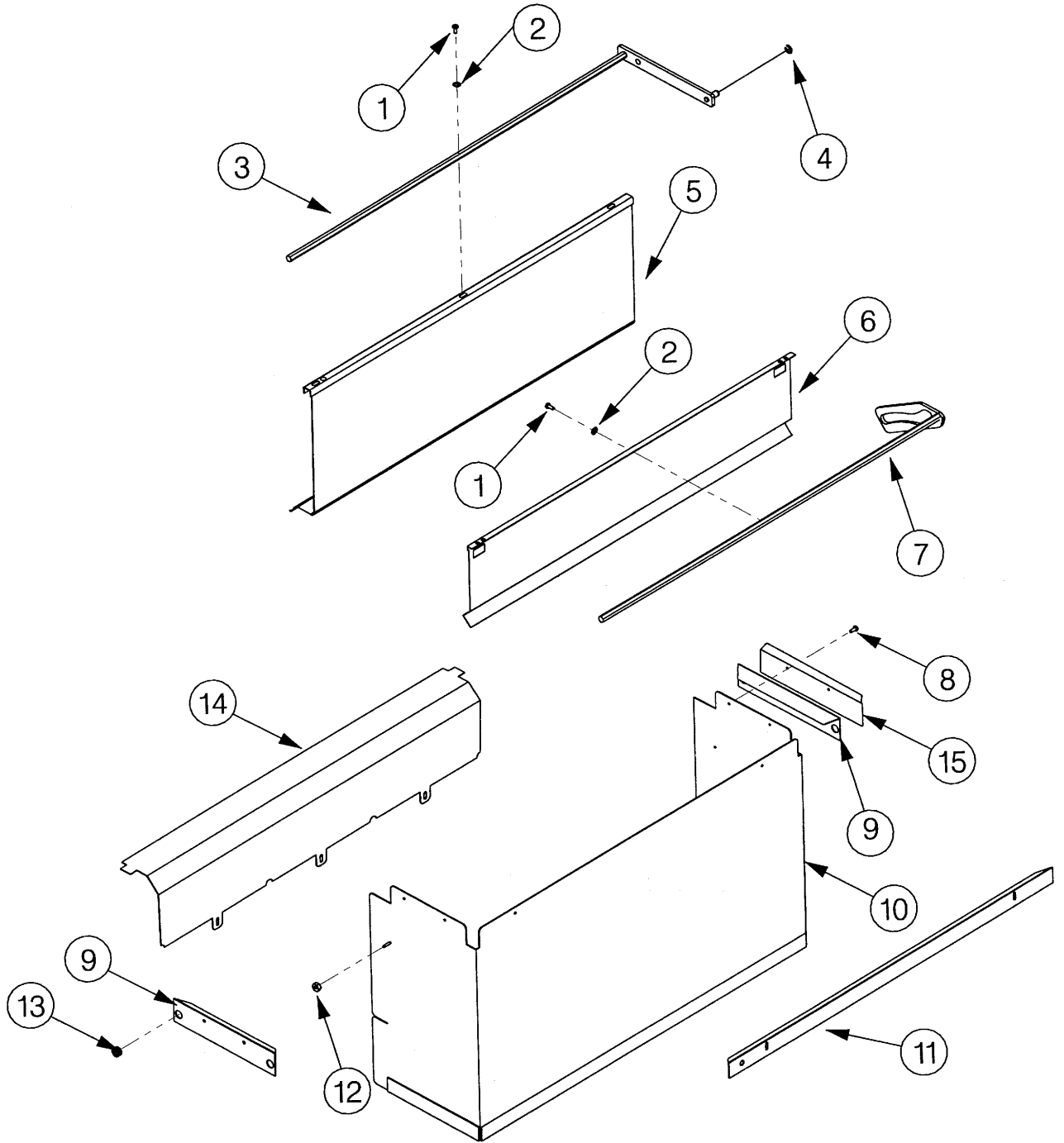
Light Assembly



Item	Part Number	Qty	Description	CC
	1214144	1	Light Assembly 3051	AS
1	1214139	1	Light Reflector Weld - Charcoal	WE
2	4207531	1	Light Harness	HA
3	4033668	1	Lamp F14t8/Cw	LP
4	4033567	1	Starter Fs-2 14,15 Or 20 Watt Lamps	EL
5	4033609	1	Ballast sp2	XF
6	8800955	1	6-32 Hex Nut W/Etw	NU
8	8801332	2	4-40x3/4 Phillips PH Taptite (AP for Item 2)	SC
Not Shown	4050585	1	#8 Ext Tooth Lockwasher (For Ground Wire)	WA
	4050240	1	8-32x3/8 Phillips PH MS (For Ground Wire)	SC

COMPLETE DOOR ASSEMBLY continued

Delivery Assembly

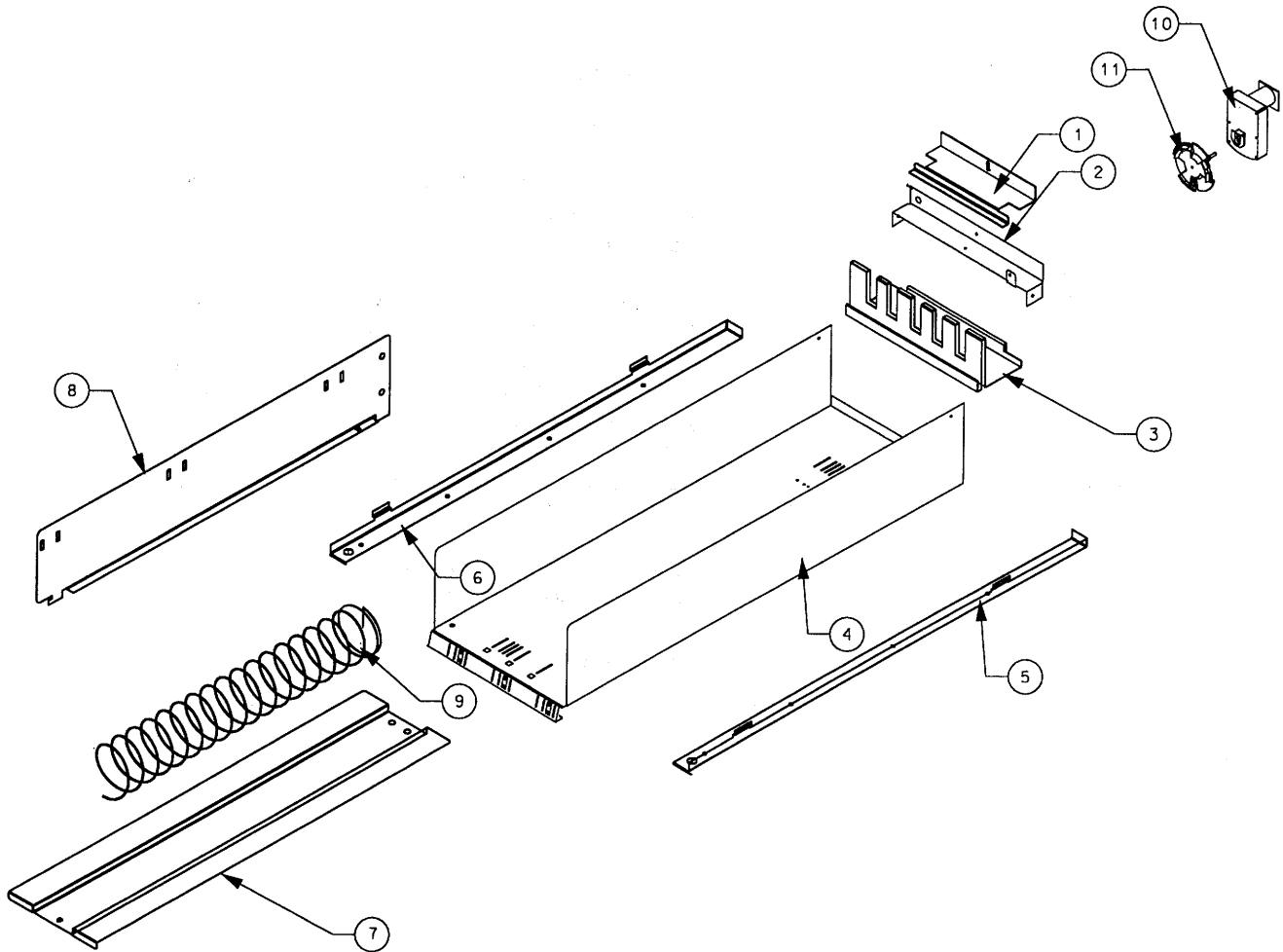


COMPLETE DOOR ASSEMBLY continued

Delivery Assembly

Item	Part Number	Qty	Description	CC
	1212040-002	1	Delivery Assembly	AS
1	4050239	6	8-32x3/8 Phillips PH Type-T	SC
2	8801011	6	#8 Flat Washer	WA
3	1212038-012	1	Follower Weld	WE
4	8801080	1	E-Ring, 5/16	RR
5	4203373-006	1	Delivery Anti-Cheat - Charcoal	ST
6	1212041-006	1	Delivery Door Weld - Charcoal	WE
7	1212039-006	1	Cam/Rod Weld/Plt	WE
8	4025263	4	Type 7 Snap-In Nyliner	BU
9	4203379	2	Delivery Mount - Charcoal	ST
10	1212037-006	1	Delivery Weld	WE
11	4203436-006	1	Rear Delivery Deflector Char	ST
12	4050423	2	8-18x3/8 Phillips PH Type-Ab	SC
13	4050423	4	8-18x3/8 Phillips PH Type-Ab	SC
14	4205547	1	Delivery False Box - Charcoal	ST
15	4205929	1	Delivery Anti-Theft - Charcoal	ST
Not Shown	4208947	1	Delivery Bushing	BU

TRAY CONFIGURATION



Item	Part Number	Qty	Description	CC
	1212726-010		Tray Configuration -3051 10 Selection	AS
	1212726-012		Tray Configuration -3051 12 Selection	AS
	1212726-015		Tray Configuration -3051 15 Selection	AS
	1212728-001	A/R	Tray Assembly 2 x 10 Snack	AS
	1212728-002	A/R	Tray Assembly 15 Candy -10 Snack	AS
	1212728-003	A/R	Tray Assembly 15 Candy -12 Snack	AS
	1212728-004	A/R	Tray Assembly 18 Candy -12 Snack	AS
	1212728-006	A/R	Tray Assembly 18 Candy -10 Snack	AS
	1212728-007	A/R	Tray Assembly 24 Candy -10 Snack	AS
	4205976	A/R	Item Select Decal B	LA
	4205980	A/R	Item Select Decal B - 12 Select	LA

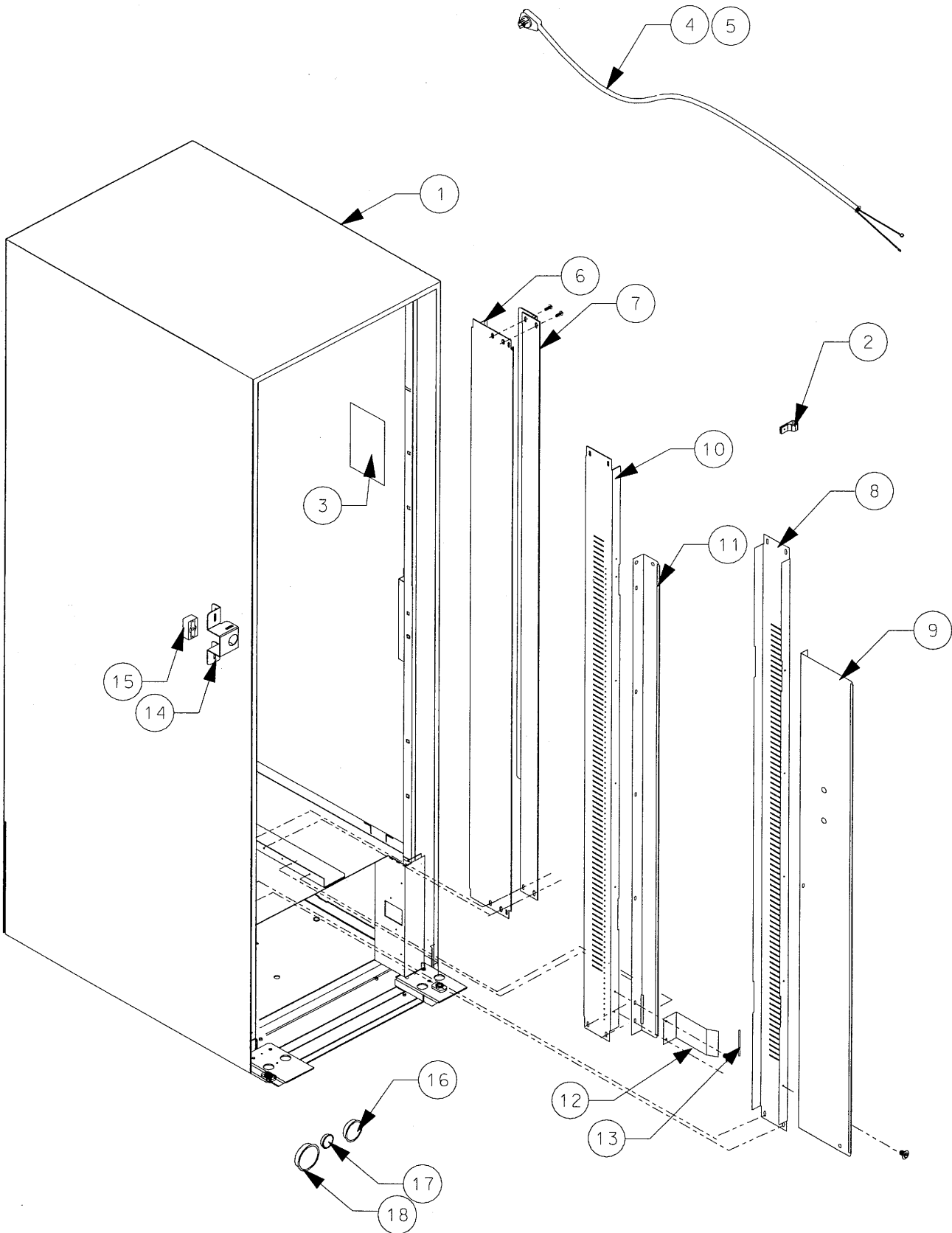
Tray Assembly

Item	Part Number	Qty	Description	CC
1	4205696	1	Motor Shipping Bracket	ST
-	4050241	1	8-18x 3/4 Phillips PH Type-Ab (AP for Item 1)	SC
2	4205688	1	Tray Stop - Charcoal	ST
-	4050663	2	Rivet (AP for Item 2)	RI
3	4205708	1	Motor Mount- Charcoal	ST
4	4205770	1	Tray 4 1/2" - Charcoal	ST
5	4205712-002	1	Tray Rail Right - Charcoal	ST
6	4205712	1	Tray Rail Left - Charcoal	ST
7	4206801	2	Helix Retainer (except 10 Snack Auger)	ST
8	4205687	1	Tray Divider - Charcoal	ST
9		2	Auger - See Table 1	WF
10	4203432-002	2	24VDC Motor-360 Degree	MO
11	4202015	2	Auger Coupling	PL
Not Shown	4203341	2	Price Scroll	LA
	4206410	1	Tray Harness-3051	HA
	8324099-5	1	Clamp - 3/8 X 7/16 (AP for Previous)	CP
	4050420	1	8-18x1/4 Phillips HWH (AP for Previous)	SC
	4203509	1	Cable Tie	WT
	4060174-001	1	Rolled Split Spacer 1/4	BU

Table 1. Augers

Part Number	Description	Tray Configuration					CC	
		2x10S	15C-10S	15C-12S	18C-12S	18C-10S		24C-10S
4200272-000	15 Candy - Black		1	1			WF	
4200272-007	10 Snack - Black		1			1	WF	
4200272-031	10 Candy - Black	2					WF	
4200272-008	12 Snack - Black			1	1		WF	
4200272-001	18 Candy - Black				1	1	WF	
4200272-002	24 Candy - Black						1	WF

COMPLETE CABINET ASSEMBLY

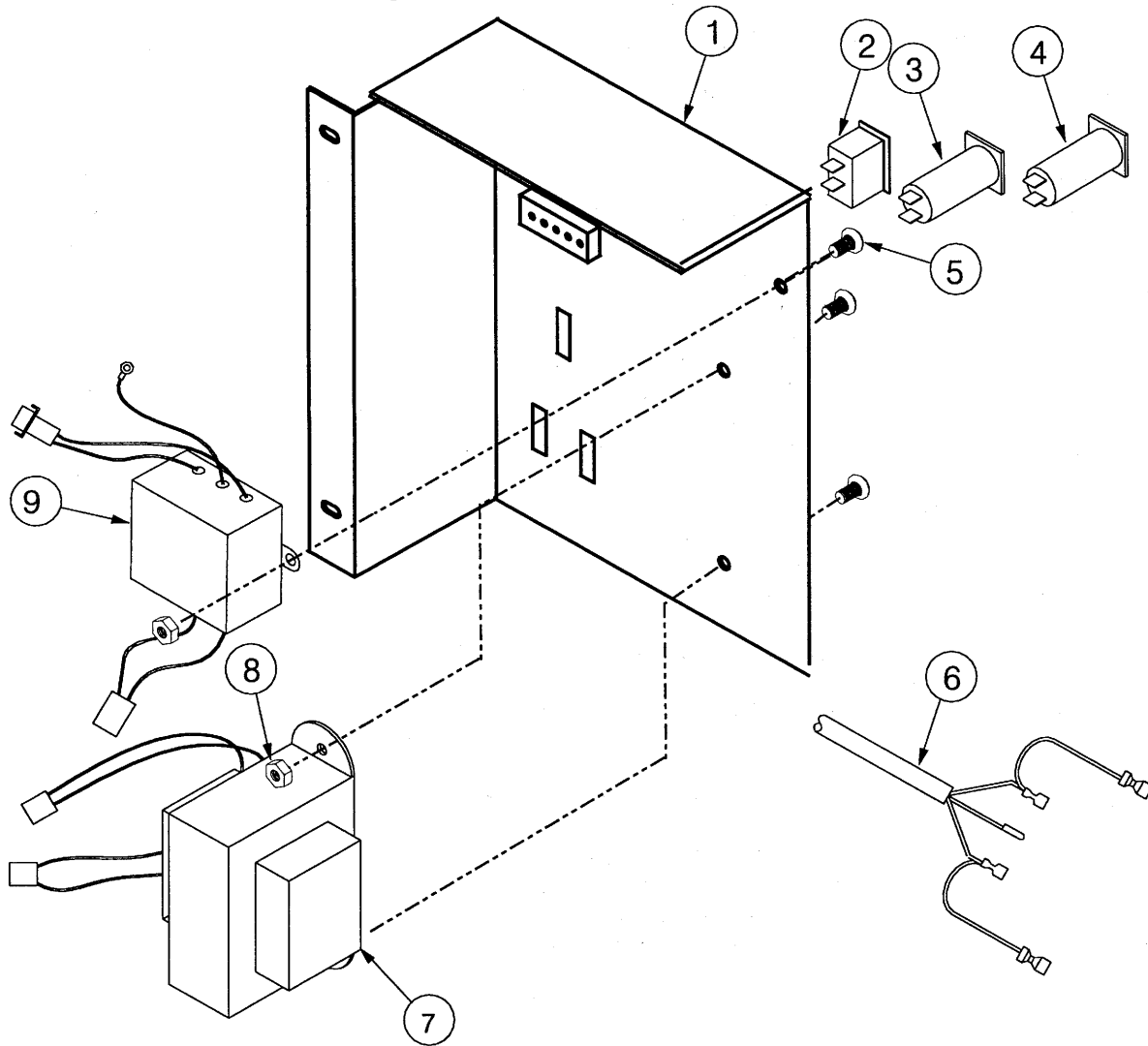


COMPLETE CABINET ASSEMBLY

Item	Part Number	Qty	Description	CC
	1212732-001	1	Complete Cabinet Assembly 3051	AS
1	1212634-002	1	Cabinet Weld - Charcoal	WE
2	8324099-12	1	Clamp - 1/2 X 1	CP
3	4207017	1	Mode Switch Instruction	PR
4	4203520-001	1	Power Cable 115v B 3051	HA
5	8620494	1	Tag - Plug Warning	LA
6	4206436	1	Wire Retainer - Charcoal	ST
7	4205683	1	Harness Plug Bracket - Charcoal	ST
8	4205720	2	Left Tray Support - Charcoal	ST
9	4205714	1	Left Cabinet Anti-Cheat - Charcoal	ST
10	4205720-002	2	Tray Support-Right- Charcoal	ST
11	4205713	1	Right Cabinet Anti-Cheat - Charcoal	ST
12	4206395	1	Coin Box Stop - Charcoal	ST
13	4025735-900	0.2083 Ft	Trim-Lok Black	PL
14	4205706	1	Lock Nut Bracket - Charcoal	ST
15	4203634	1	Split Nut Assembly	NU
16	7250135-000	2	Hole Plug, Bp-1 3/8"	PL
17	7250135-001	6	Hole Plug, Bpf-1/2"	PL
18	7250135-007	1	Hole Plug, Bp-2 1/4"	PL
Not	1212057-012	1	Bottom Hinge Stake -Charcoal	RA
Shown	4050767	1	3/8 Flat Washer-Nylon (On Bottom Hinge)	WA
	4206409-001	1	Main Harness-3051	HA
	1212746	1	Transformer Assembly – See Page 12	AS
	4060310	4	Leg Leveler	LE
	4050423	36	8-18x3/8 Phillips PH Type-Ab (AP for Items 6, 8, 9, 10, 11, 12)	SC
	8800636	2	8-18x1/2 Phillips PH Type-B	SC
	8801388	2	5/16-18x3/4 HWH Type-D	SC
	4050202	5	8-18x1/2 Phillips HWH Tek	SC
	4050420	4	8-18x1/4 Phillips HWH	SC
	4050585	1	#8 Ext Tooth Lockwasher (AP for Ground)	WA

COMPLETE CABINET ASSEMBLY continued

Transformer Assembly



Item	Part Number	Qty	Description	CC
	1212746	1	Transformer Assembly	AS
1	4205681	1	Transformer Plate/Glv	ST
2	4202088	1	Switch-Rocker	SW
3	4203467-005	1	5 Amp Circuit Breaker	FU
4	4203467-003	1	3 Amp Circuit Breaker	FU
5	4050240	4	8-32x3/8 Phillips PH Ms	SC
6	4206411	1	Power Box Harness	HA
7	1210952	1	Transformer 115/24 V	XF
8	8800956	4	8-32 Hex Nut W/Etw	NU
9	4203730-003	1	RFI Filter Rnd Frnt	EL
Not Shown	4033712	1	Cable Tie 7 3/8" B Panduit	WT
	4060116	1	Plastic Wire Clamp 3/8	CL
	4205080	1	Power Switch Label	LA
	4207341	1	Warning Label	LA



