



SATELLITE CAN/BOTTLE VENDOR BV I



PARTS MANUAL

Table of Contents

<i>General Information</i>	1	<i>Common Door Assembly</i>	4
Payment	1	Inner Door Assembly	6
To Order By Mail	1	<i>Common Cabinet Assembly</i>	8
To Order By Fax	1	Controller Configuration & Voltage	
To Order By Phone	1	Installation	12
Returns	1	Stack Configuration	14
Limitation Of Liability	1	Refrigeration Assembly	16
<i>Final Assembly</i>	2	Evaporator And Fan Assembly	18

KEY

115V = 115 Volt AC
230V = 230 Volt AC
CC = Commodity Code

Commodity Code Listing

AS	Assembly
BU	Bushing
CB	Control Board
CL	Clip
CO	Compressor
CP	Clamp
EL	Electrical Component
FA	Fan
FU	Fuse, Breaker
GA	Gasket
GR	Grommet
HA	Harness
HI	Hinge
IN	Insulation
LA	Label, Tag
LE	Leg, Leveler
LO	Lock
LP	Lamp
MA	Manual
NU	Nut
PI	Pin
PL	Plastics
RA	Rails
RC	Refrigeration Component
RE	Relay
RI	Rivet
RU	Rubber
SC	Fastener
SF	Sign Face
SL	Slide
SM	Screw-Machine
SP	Spring, Auger
ST	Stamping, Bracket
SW	Switch
TA	Tape
TC	Temperature Control, Thermostat
TU	Tubing
WA	Washer
WD	Wood
WE	Welded Assembly
WT	Wire Tie
XF	Transformer, Ballast

GENERAL INFORMATION

You may order parts from your distributor or from VendNet™. If you have any questions when placing your order, please call and we'll be happy to assist you.

Please provide the following information when placing your order:

- Quantity Required
- Part Number
- Description of the part
- Shipping and Billing Address
- Description
- Preferred Method of Shipment
- Vendor Model Number
- Customer Account Number
- Serial Number

MINIMUM ORDER \$25.00. You may wish to inquire on prices of parts at the time of your order. If you order less than the minimum, please check our catalog for other parts you may require to bring your order up to the minimum order.

Payment

OPEN ACCOUNT with approved credit.

MASTER CARD - VISA - C.O.D.

To Order By Mail

You may place your order for replacement parts by providing the necessary information as requested above, and mailing your order to:

VendNet™
165 North 10th Street
Waukee, Iowa 50263-0488

Order forms are available upon request from VendNet™, or you may use your own purchase order form.

To Order By Fax

1-515-987-4447

You may Fax your order for replacement parts by providing the necessary information as requested above to VendNet™.

To Order By Phone

USA 1-800-833-4411

Canada 1-800-858-4730

Other locations 1-515-274-3641

You may call in your order for replacement parts. Ask for VendNet™ Parts Department. Please provide the necessary information, as requested above, to allow us to provide you with prompt courteous service.

Returns

RESTOCKING CHARGE 20%. A restocking charge of 20% will apply to merchandise accepted by VendNet™ for return, except items processed as warranty.

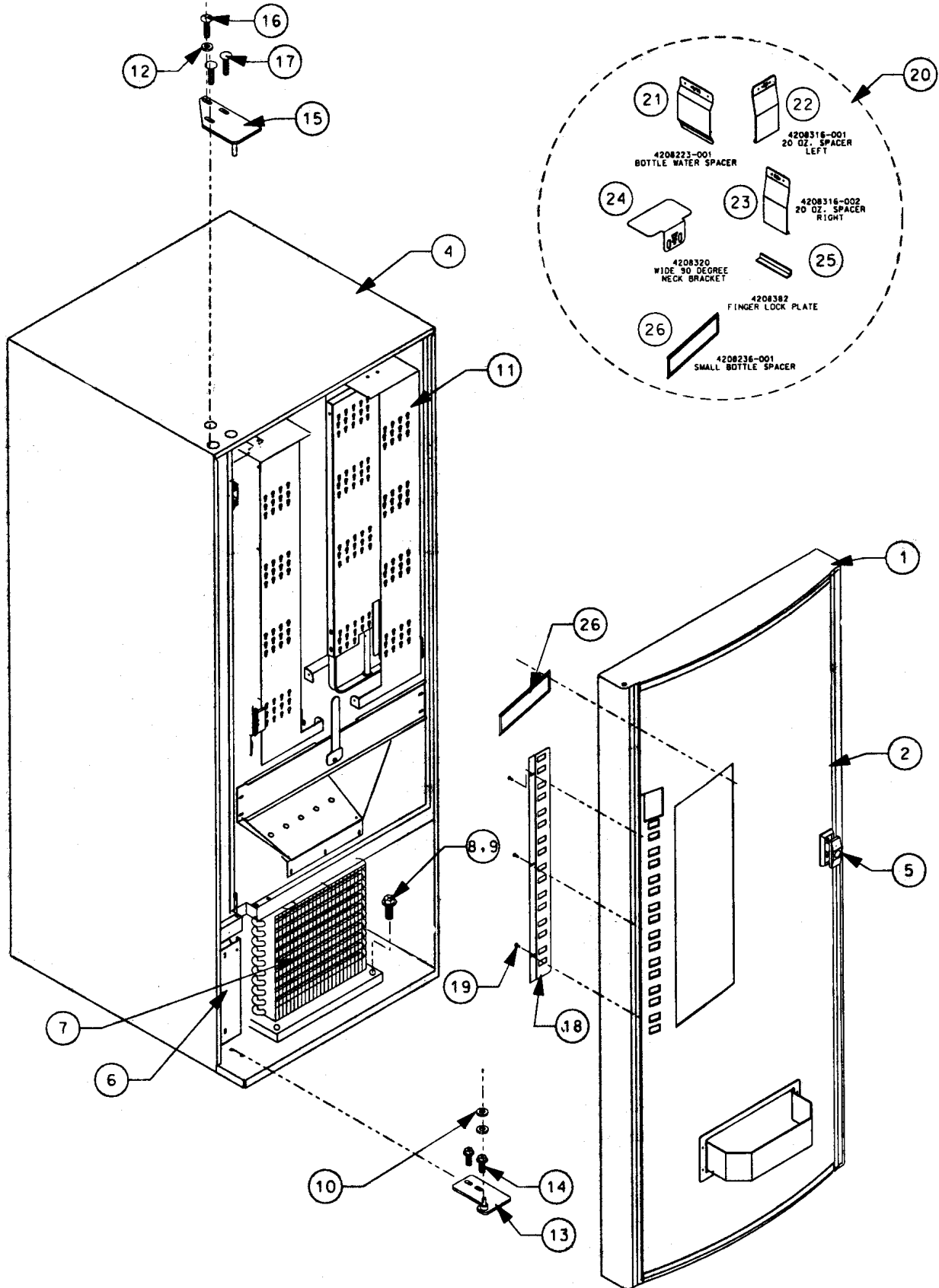
All items returned must be accompanied by a Return Form clearly stating the reason for return. Returns are to be shipped freight prepaid to VendNet™, 165 North 10th Street, Waukee, Iowa 50263-0488. (Return Forms are available upon request from VendNet™.)

Limitation Of Liability

VendNet™ shall not be liable for any injury, loss or damage, whether direct, incidental or consequential arising out of the use of or the inability to use any part, parts or products sold by VendNet™. The remedies of the buyer set forth herein are exclusive, and the liability of VendNet™. With respect to any contract or sale or anything done in connection herewith, whether in connection therewith, whether in contract, in tort, under any warranty, or otherwise, shall not, except as expressly provided herein, exceed the price of the part, parts or products on which such liability is based. Any statements or representations about the parts or product, other than those contained herein, do not constitute warranties and shall not be relied on by the buyer and shall have no force of effect unless contained in a written agreement signed by officers of VendNet™.

If you have any questions, check out our Website: <http://www.vendnetusa.com> or please call VendNet™. Ask for the Parts Department. We will be happy to assist you. E-Mail: VendNet@Ecity.net

FINAL ASSEMBLY



A10409

FINAL ASSEMBLY

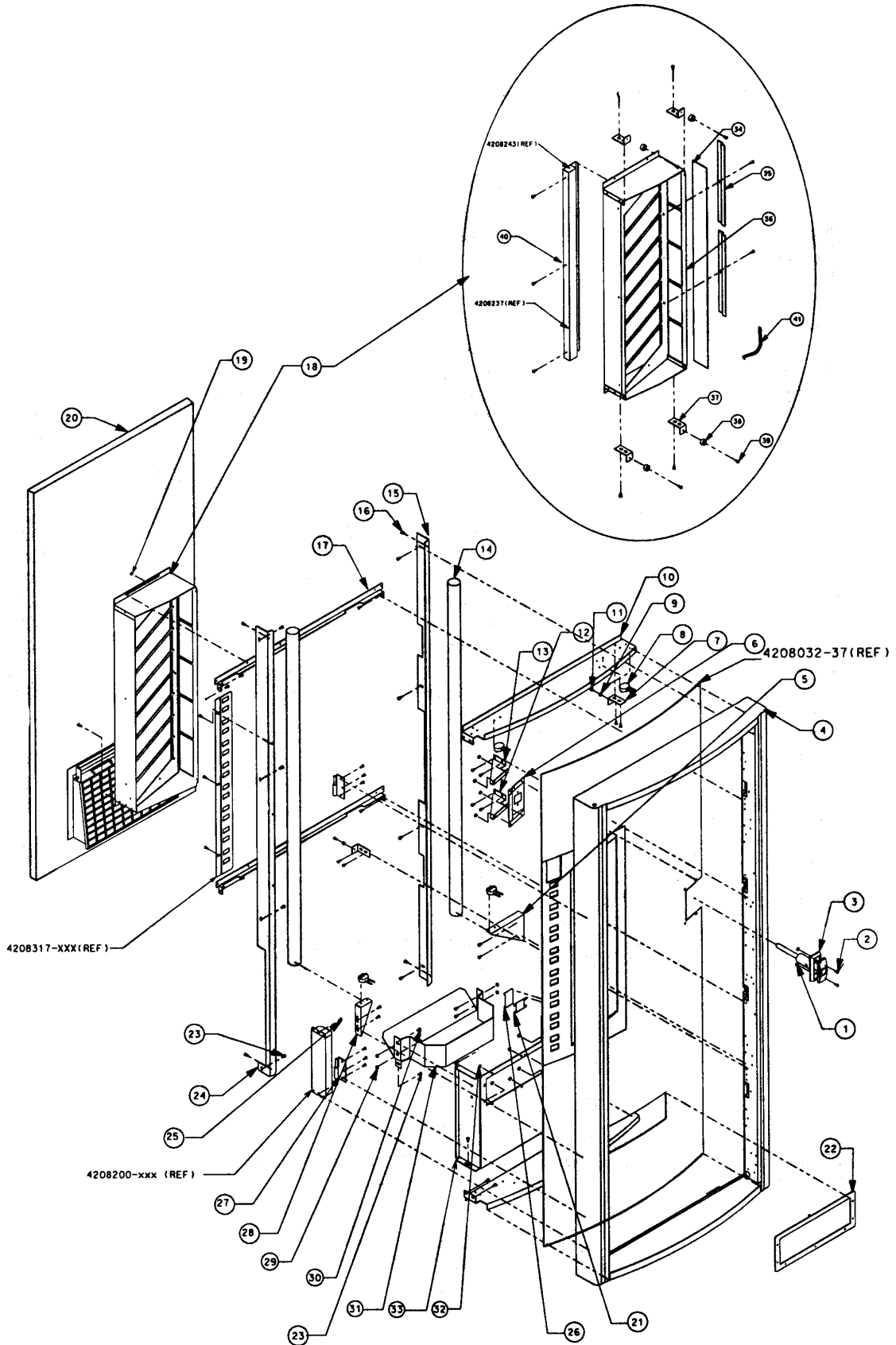
ITEM	PART NUMBER	DESCRIPTION	QTY	CC
		Model 3099 230 Volt Model 3099 115 Volt		
1	1214315	Common Door Assembly – See Page 4	1	
2	1214332-xxx	Sign Face Installation - Specify Model and Design	1	
3	1214314	Inner Door Assembly – See Page 6	1	
4	1214316	Common Cabinet Assembly – See Page 8	1	
5	1212652-001	No Lock Installation	1	
6	1214317	Controller Configuration – See Page 12	1	
	1214333-xxx	Voltage Installation – See Page 12	1	
7	1214310-xxx	Refrigeration Assembly – See Page 116	1	
8	4050781	5/16-18x1-1/4 Hex Head Tapt (AP ¹ for Item 7)	2	SC
9	8801388	5/16-18x3/4 Hex Head Tapt (AP for Item 7)	2	SC
10	4050767	3/8 Flat Washer – Nylon	2	WA
11	1214318-001	Stack Configuration – See Page 14	1	AS
12	4050594	¼ Flat Washer (AP for Item 16)	1	WA
13	1211384-003	Bottom Hinge Weld	1	WE
14	8801388	5/16x18x3/4 Hwh Type D (AP for Item 13)	2	SC
15	1211484-002	Upper Hinge Stake	1	RA
16	8800236	¼-20x5/8 Phillips Truss Head Machine Screw (AP for Item 15)	1	SC
17	4050099	5/16-18x3/4 Carriage Bolts (AP for Item 15)	2	SC
18	4208317	Scroll Retainer	1	ST
19	1214349	Spacer Package (Included in Service Package)	1	
20	4208223-001	Bottle Water Spacer	4	RA
21	4208316-001	20 Oz. Spacer – Left	2	RA
22	4208316-002	20 Oz. Spacer – Right	2	RA
23	4208320	Wide 90 Degree Neck Bracket	4	ST
24	4208382	Finger Lock Plate	2	ST
25	4208236-001	Small Bottle Spacer	2	ST
Not Shown	4060310	Leg Leveler	4	LE
	8810015	5/16x18 Flange Lock Nut (AP for Item 17)	2	NU
	4202278-006	Foam Tape	13 Ft	TA
	1214337	Service Package	1	
	4050423	8-18x3/8 Phillips Pan Head Type AB	2	SC
	4206939	Tilt Label	1	LA
	4208379	Service Manual	1	MA
	4209143	Special Kits Addendum	1	MA
	4208301-001	Selection Scroll F, G, H	8	LA

OPTIONS

	1212652	Lock Installation	A/R	
	1200137-xxx	Product Kits: See the Special Kits Addendum (P/N 4209143)	A/R	
	1200137-296	Install BV to AP LCM Vendor Kit	A/R	

¹ AP = Attaching Part

COMMON DOOR ASSEMBLY



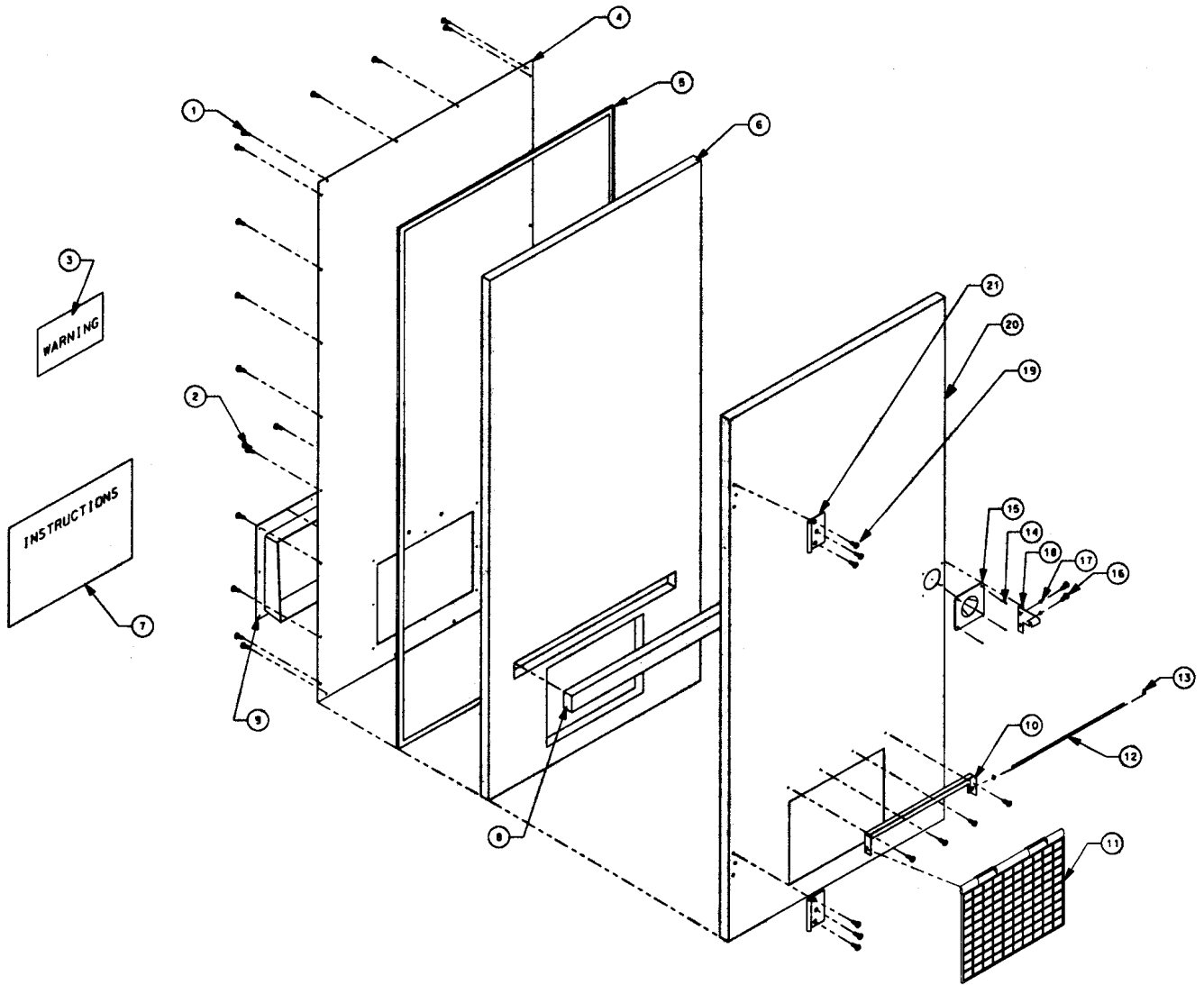
A10410

COMMON DOOR ASSEMBLY

ITEM	PART NUMBER	QTY	DESCRIPTION	CC
	1214315	1	Common Door	AS
1	8800952	2	10-32 Hex Nut with ETW	NU
2	4050338	2	10-32x1/2 Phillips Flat Head Machine Screw	SC
3	4203486-003	1	1/4 Turn Handle Charcoal	LO
4	1214306-001	1	Door Weld - Black	WE
5	4208190	1	Lamp Mount - Right	ST
6	4208093	1	Tee Handle Mount- Charcoal	ST
7	4208303	2	Stand Off Bracket	ST
8	4203637	4	Lamp Socket	EL
9	4208230	2	Bumper	BU
10	4208188	2	Top/Bottom Retainer - Black	ST
11	4050133	2	6-20x1/2 Phillips Pan Head Tek	SC
12	4208159-001	1	Tee Handle Brace – Bottom	ST
13	4208159	1	Tee Handle Brace – Top	ST
14	8345956	2	48” Lamp-Fluorescent	LP
15	4208152	1	Sign Face Retainer – Right	ST
16	4050420	4	8-18x1/4 Phillips HWH Type	SC
17	4208139	2	Mount Bracket with Studs	ST
18	1214421	1	Product Display Assembly	AS
19	8330164	2	8-32 Thumb Nut-Brass	NU
20	1214314	1	Inner Door Assembly – See Page 6	AS
21	4208314	8	LED Window	PL
22	4208165	1	Delivery Bezel with Studs - Black	ST
23	4050423	36	8-18x3/8 Phillips Pan Head Type AB	SC
24	4208133	1	Sign Face Retainer-Left	ST
25	8800638	8	10-16x3/8 Phillips Pan Head Type B	SC
26	4208232	8	Price Scroll	LA
27	8620139	2	Door Hinge-Inner	HI
28	4208235	1	Lamp Mount - Left	ST
29	4050530	4	1/4-20 Wing Nut	NU
31	1214346	1	Hopper Weld - Black	WE
30	4050393	4	1/4-20x3/4 Carriage Bolt	SC
32	8800956	14	8-32 Hex Nut with ETW	NU
33	4208296	1	Hopper Support	ST
34	4208202	1	Light Diffuser	PL
35	4207510	2	Diffuser Clip	ST
36	1214334	1	Display Weld	WE
37	4208303	4	Stand Off Bracket	ST
38	4208230	4	Bumper	BU
39	4050420	17	8-18x1/4 Phillips HWH Type B	SC
40	1214392	1	R Display Product Holder Assembly	AS
Not	4033712	5	Cable Tie 7 3/8"	WT
Shown	4060622	1 Ft	1/2" Filiment Tape	TA
	4202255	13.7 Ft	Gasket 1/4x3/4 with Adhesive	GA
	4203682	4	Terminal Housing	HA
	4208230	2	Bumper	BU
	4208234	1	Light Harness	HA
	8324099-2	4	Clamp - 1/4"	CP
	8324099-6	2	Clamp - 3/8 x 1/2	CP

COMMON DOOR ASSEMBLY

Inner Door Assembly

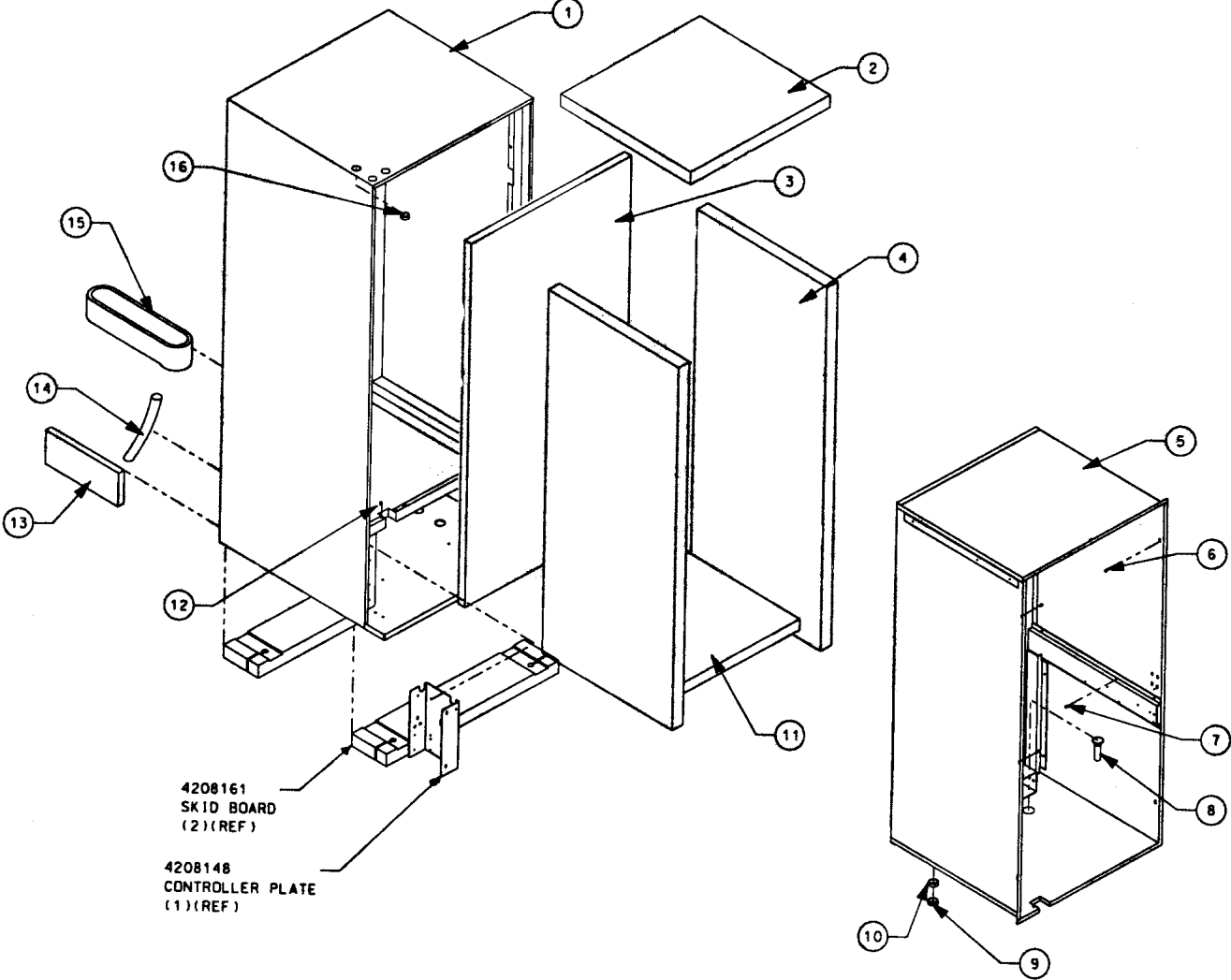


A10411

Inner Door Assembly

ITEM	PART NUMBER	QTY	DESCRIPTION	CC
	1214314	1	Inner Door Assembly	AS
1	4050423	32	8-10x3/8 Phillips PH Type AB	SC
2	4050241	6	8-18x3/4 Phillips PH Type AB	SC
3	4208199	1	Warning Label	LA
4	4208035	1	Inner Door Liner	ST
5	8620054-003	1	Inner Door Gasket	GA
6	4208175	1	Inner Door Insulation	IN
7	4208322	1	Instruction Decal	LA
8	4208309	1	Inner Door Spacer	WD
9	4207508-001	1	Transition Port	PL
10	4208180	1	Delivery Pivot Bracket	ST
11	4207109	1	Inner Delivery Door	PL
12	4207144	1	Inner Delivery Door Rod	PI
13	7091078-000	2	Tubular Speed Nut	NU
14	4050667	4	1/8x1/4 Aluminum Pop Rivet	RI
15	4202760	1	Inner Door Lock Funnel	PL
16	8800636	2	8-18x1/2 Phillips PH Type B	SC
17	4030100	2	Bushing – Spacer	BU
18	4202961	1	Inner Door Latch	ST
19	8800638	6	10-16x3/8 Phillips PH Type B	SC
20	1214313	1	Inner Door Weld	WE
21	8620140	2	Door Hinge – Inner - Right	HI

COMMON CABINET ASSEMBLY



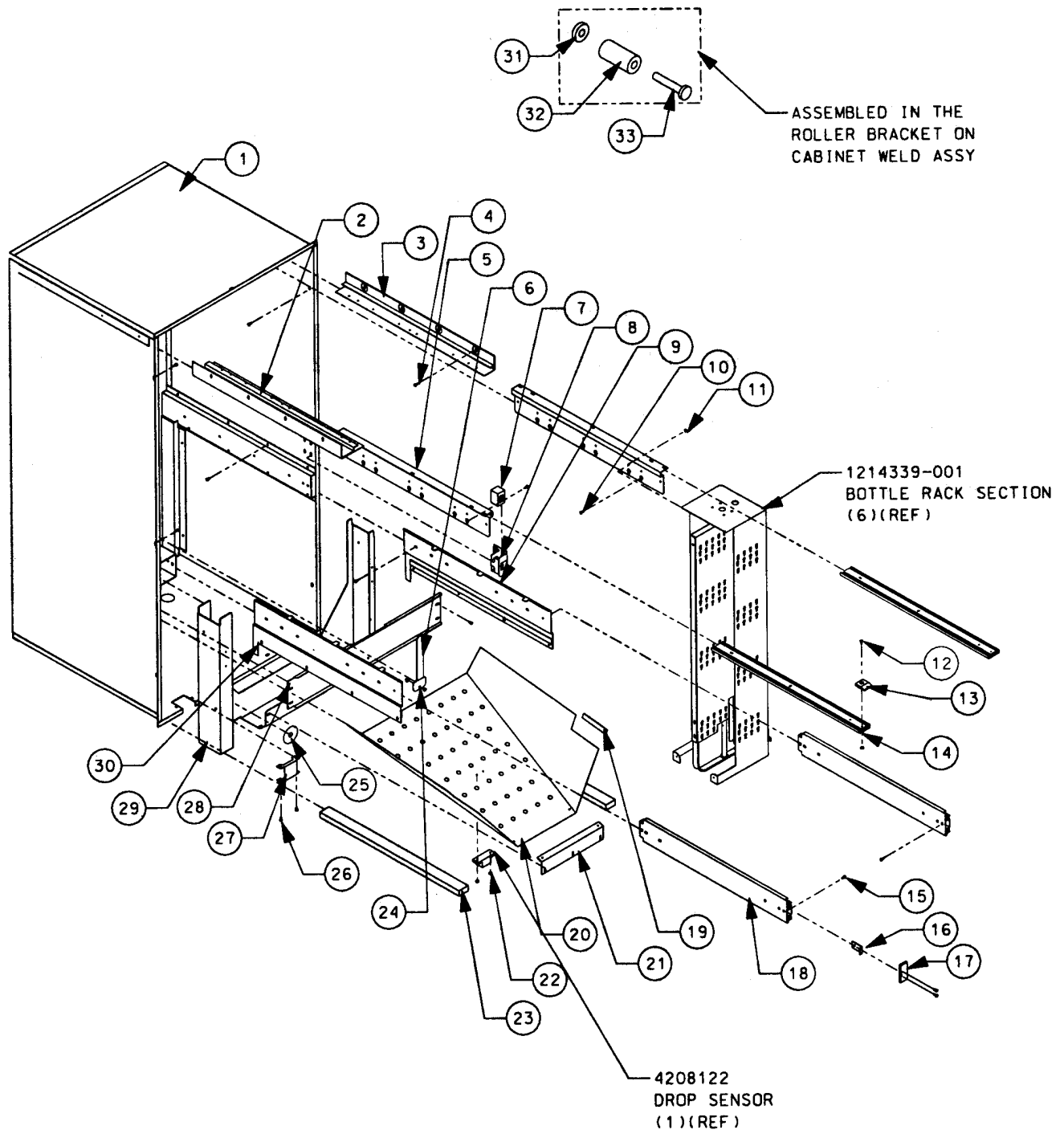
A10412

COMMON CABINET ASSEMBLY

ITEM	PART NUMBER	QTY	DESCRIPTION	CC
	1214316	1	Common Cabinet	AS
1	1214249-001	1	Cabinet Weld	WE
2	4208176-003	1	Cabinet Insulation-Top	IN
3	4208176-001	1	Cabinet Insulation-Back	IN
4	4208176-002	2	Cabinet Insulation-Side	IN
5	1214250	1	Liner Weld	WE
6	7200468-001	14	10-12x1 Phillips Truss Head Type A	SC
7	4050180	8	8-18x1/2 Phillips Pan Head Tek	SC
8	7100042-000	1	Drain Tube	TU
9	4202284	1	.500 Stud Dia. Push Nut	NU
10	4050608	1	1/2 Flat Washer-Zinc	WA
11	4208176-004	1	Cabinet Insulation-Bottom	IN
12	4202189	14	Snap In Plastic Spring-1/4	PL
13	4202034	1	Drain Pan Sponge	RC
14	4025410-500	3 Ft	Tubing-Mayon	TU
15	7200623-000	1	Drain Pan	ST
16	4200756-005	1	Thread Insert, 1/4-20	SC
Not	1211465-002	1	16" Ground Wire Green/Yellow	HA
Shown	4060006-500	2 Ft	1/4" X 1/2" Foam Tape	TA
	4060116	6	Plastic Wire Clamp 3/8"	CL
	7200341-000	1	Tube Clip (AP ² for Item 14)	CL
	7960247-000	14.3 Ft	"A" Frame Gasket	GA
	8324099-2	1	Clamp - 1/4"	CP

² AP = Attaching Part

COMMON CABINET ASSEMBLY CONTINUED



A10413

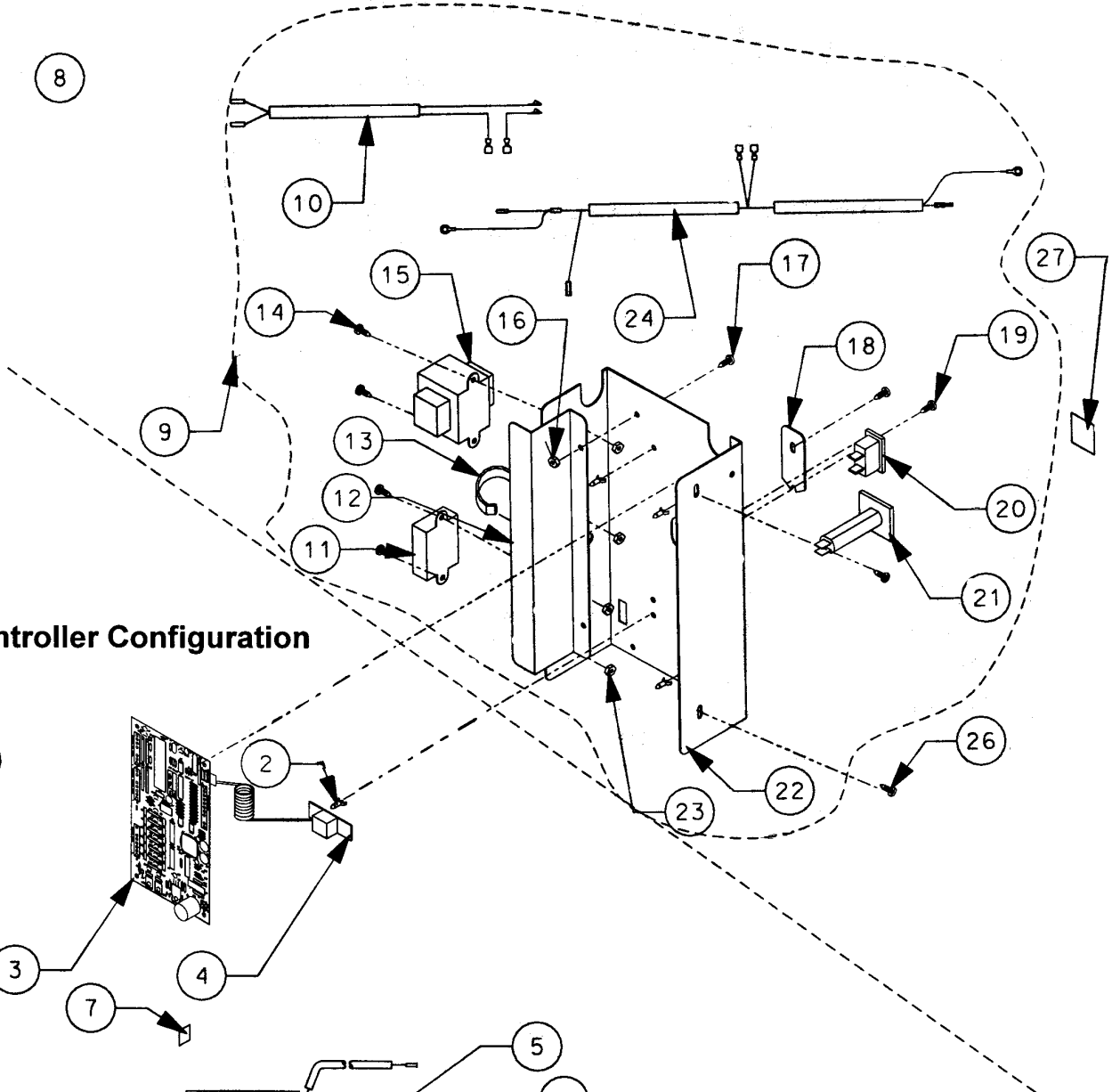
COMMON CABINET ASSEMBLY CONTINUED

ITEM	PART NUMBER	QTY	DESCRIPTION	CC
1	1214250	1	Liner Weld	WE
2	1214352	1	Upper Slide Mount Weld - Left	WE
3	1214351	1	Upper Slide Mount Weld - Right	WE
4	8800638	8	10-16x3/8 Phillips Pan Head Type B	SC
5	4208024	2	Upper Stack Mount	ST
6	4208196	1	Rack Latch	ST
7	4203634	1	Split Nut Assembly	NU
8	4208216	1	Lock Nut Mount Weld	WE
9	4208116-002	1	Lower Stack Weld - Right	WE
10	4050240	44	8-32x3/8 Phillips Pan Head Machine Screw	SC
11	4050511	53	8-32 Nut-Two Way Lock	NU
12	4050247	1	8-32x1/2 Phillips Pan Head Machine Screw	SC
13	4025610	1	Door Glide	PL
14	4208126-001	2	Slide - Top with Holes	SL
15	4050338	12	10-32x1/2 Phillips Flat Head Machine Screw	SC
16	4208279	1	Bumper Bracket	ST
17	4208278	1	Bumper	PL
18	4208113-001	2	Slide - Bottom (Holes)	SL
19	4025735-900	3.50 Ft.	Trim-Lok Black	PL
20	4208132	1	Delivery Chute	ST
21	4208131	1	Hopper Support-Upper	ST
22	4050493	2	6-32 Nut, Uni-Torque	NU
23	4202895	2	Liner Support	WD
24	4030053	1	Shoulder Bushing	BU
25	7333084-000	1	Decal-Thermostat Dial	LA
26	4050423	20	8-18x3/8 Phillips Pan Head Type AB	SC
27	4208198	1	Close Out	ST
28	4208194	1	Latch Mount	ST
29	4208404	1	Chute Mount	ST
30	4208116-001	1	Lower Stack Weld - Left	WE
31	4200088	1	.250 Stud Dia Push Nut	NU
32	8368656	1	Roller	PL
33	8383009	1	Pin	PI

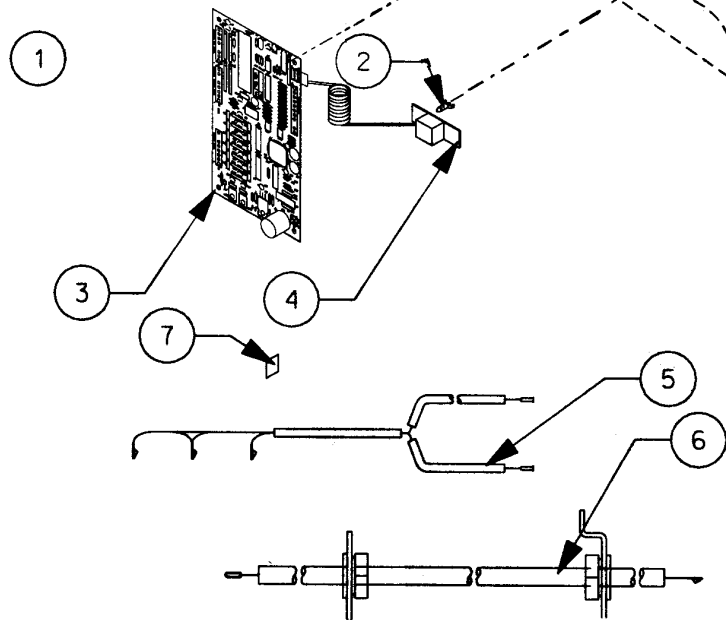
COMMON CABINET ASSEMBLY

Controller Configuration & Voltage Installation

Voltage Installation



Controller Configuration



A10414

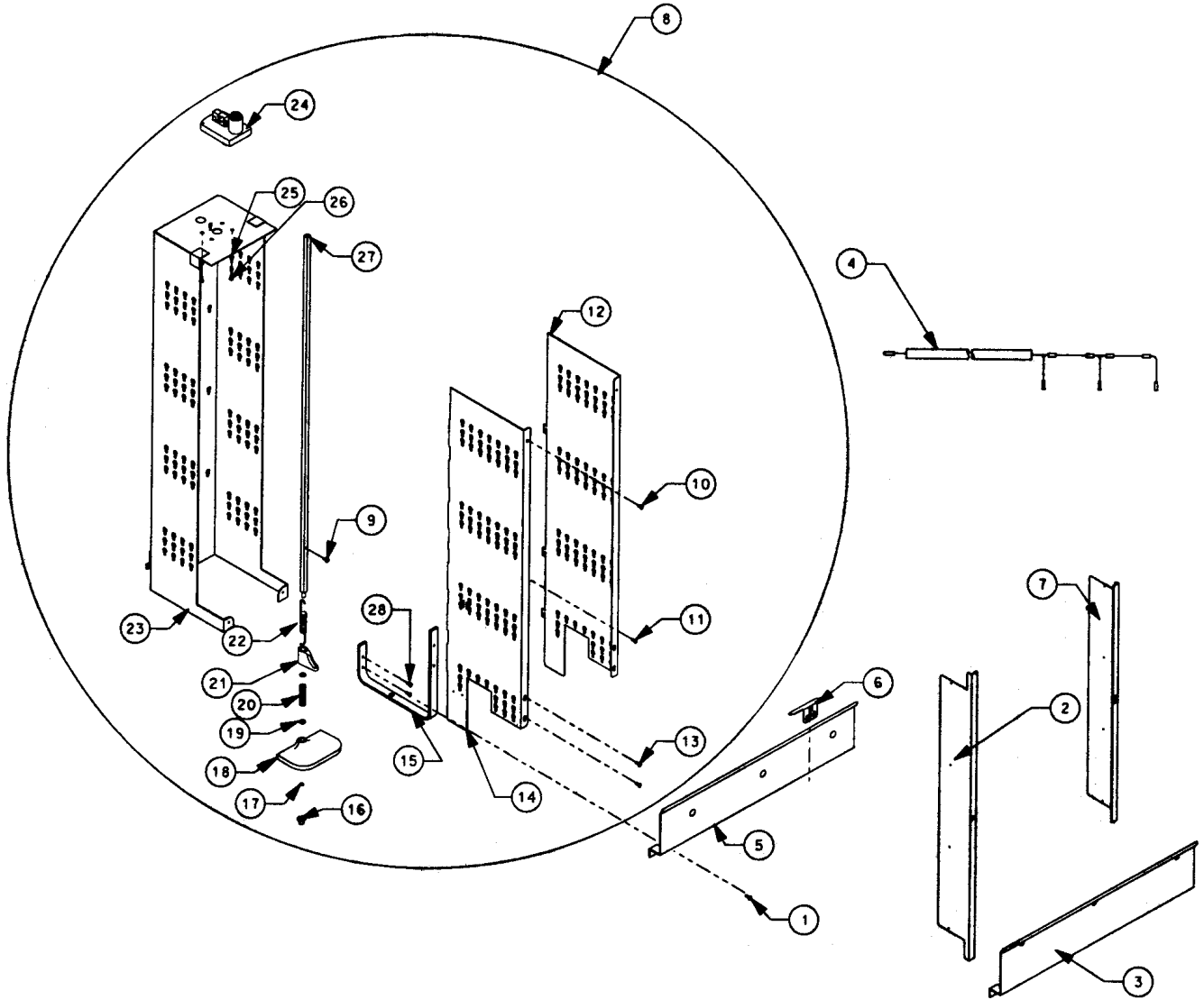
Controller Configuration & Voltage Installation

ITEM	PART NUMBER	QTY	DESCRIPTION	CC
1	1214317		Controller Configuration (SM/LCM)	AS
2	4025723	4	Controller Stand-Off	PL
3	4208121	1	Control Board Satellite BottleSMIIIA	CB
4	4208122	1	Drop Sensor	EL
5	4208163	1	Controller Harness	HA
6	4208164	1	Umbilical Harness	HA
7	4208301-001	8	Sel Scroll F,G,H*	LA
8	1214333-110	1	Voltage Installation – 115V	AS
	1214333-230	1	Voltage Installation – 230V	AS
9	1214328-110	1	Power Box Assembly - 115V	AS
	1214328-230	1	Power Box Assembly - 230V	AS
10	4208556	1	24V Power Harness	HA
11	4203730-003	1	RFI Filter – Round Front	EL
12	4208559	1	Power Shield – 115V	ST
13	4033712	1	Cable Tie 7 3/8"	WT
14	4050240	7	8-32x3/8 Phillips Pan Head Machine Screw	SC
15	4206570-000	1	Transformer – 115V	XF
	4206570-001	1	Transformer – 230V	XF
16	8800905	2	8-32 Hex Nut, Style 2 – 115V	NU
17	4050204	2	8-32x1/4 Phillips Pan Head Machine Screw – 115V	SC
18	4208345	1	Dip Switch Cover	ST
19	8800565	2	8-18x1/4 Phillips Truss Head Type B	SC
20	4202088	1	Switch-Rocker	SW
21	4203467-003	1	3 Amp Circuit Breaker	FU
22	4208558	1	Controller Plate – 115V	ST
	4208148	1	Controller Plate – 230V	ST
23	8800956	7	8-32 Hex Nut with ETW	NU
24	4208178	1	Power Harness Satellite Bottle	HA
26	4050423	2	8-18x3/8 Phillips Pan Head Type AB (AP ³ for Item 9)	SC
27	4203747	1	Power Switch Label	LA
Not Shown	4208200	1	Ballast –115V (Shown on Common Door)	EL
	4208200-001	1	Ballast –230V (Shown on Common Door)	EL

³ AP = Attaching Part

COMMON CABINET ASSEMBLY

Stack Configuration



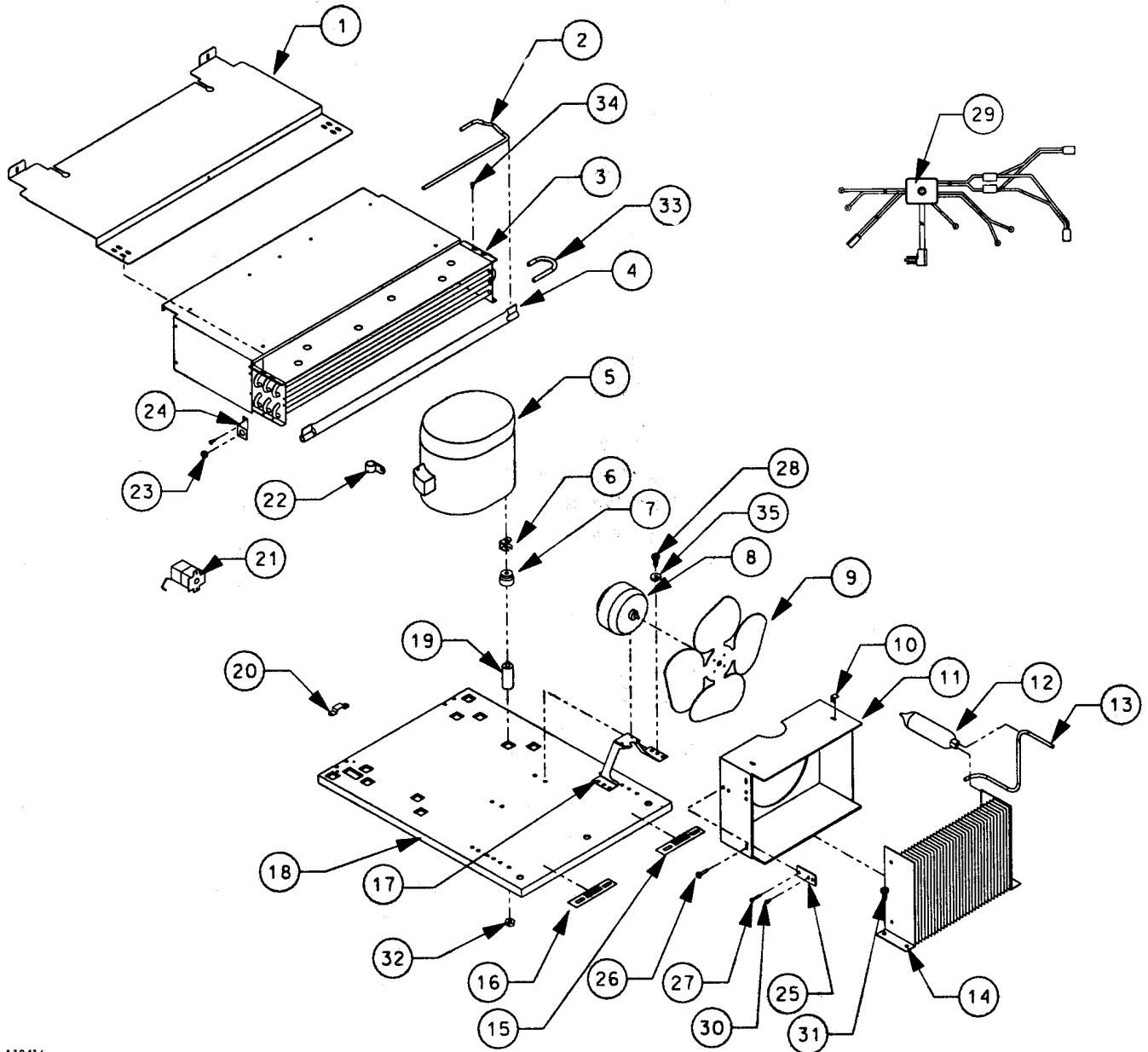
A10415

Stack Configuration

ITEM	PART NUMBER	QTY	DESCRIPTION	CC
	1214318-001	1	Stack Configuration -Glass	
1	8800829	6	10-24x3/8 Phillips Truss Head with ETW (AP for 7)	SC
2	4207178-001	12	Bottle Side Retainer	ST
3	4208157	1	Bottle Deflector - Short	ST
4	4208162	2	Rack Harness	HA
5	4208197	1	Bottle Deflector Tall	ST
6	4208310	12	Wide 60deg Neck Bracket	ST
7	4208332-001	12	Bot. Side Retainer	RA
8	1214339-001	6	Bottle Rack Section	AS
9	8800852	1	8-32x3/8 Phillips Pan Head Type T	SC
10	4050420	3	8-18x1/4 Phillips Hwh Type	SC
11	8800636	3	8-18x1/2 Phillips Pan Head Type B	SC
12	4208224	1	Bottle Rack Mounting Pan-In	ST
13	8800829	2	10-24x3/8 Phillips Truss Head with ETW	SC
14	4208225	1	Bottle Rack Mounting Pan - Out	ST
15	4207195-001	1	Lower Shaft Support-Powder	ST
16	4207051	1	Bushing	BU
17	8324353	1	5/16 Flat Washer	WA
18	4207871	1	Ejector Cam	PL
19	8043995	2	1/2 Flat Washer	WA
20	4207889	1	Compression Spring	SP
21	4207870	1	Ejector Finger	PL
22	4208875	1	Pivot Rod Spring	SP
23	1214354	1	Bottle Rack Weld	WE
24	1214258	1	Bi-Directional Motor Assembly	AS
25	8801011	2	#8 Flat Washer	WA
27	4208287	1	Pivot Rod	PI
26	4050239	2	8-32x3/8 Phillips Pan Head Type T	SC
Not Shown	4050240	14	8-32x3/8 Phillips Pan Head Machine Screw	SC
	4050511	20	8-32 Nut-Two Way Lock	NU
	4208367	4	Bumper	RU
	8620438	1	Double Digit Numbers 1-12	LA

COMMON CABINET ASSEMBLY

Refrigeration Assembly



A10416

ITEM	PART NUMBER	QTY	DESCRIPTION	CC
	1214310-000	1	Refrigeration Assembly – 115V	
	1214310-001	1	Refrigeration Assembly – 230V	
1	4208405	1	Warm Air Recovery Box	ST
2	4208179	1	Evaporator Inlet Tube	TU
3	1214350-xxx	1	Evaporator & Fan Assembly - See Page 18	AS
4	7332073-000	1	Accumulator	RC

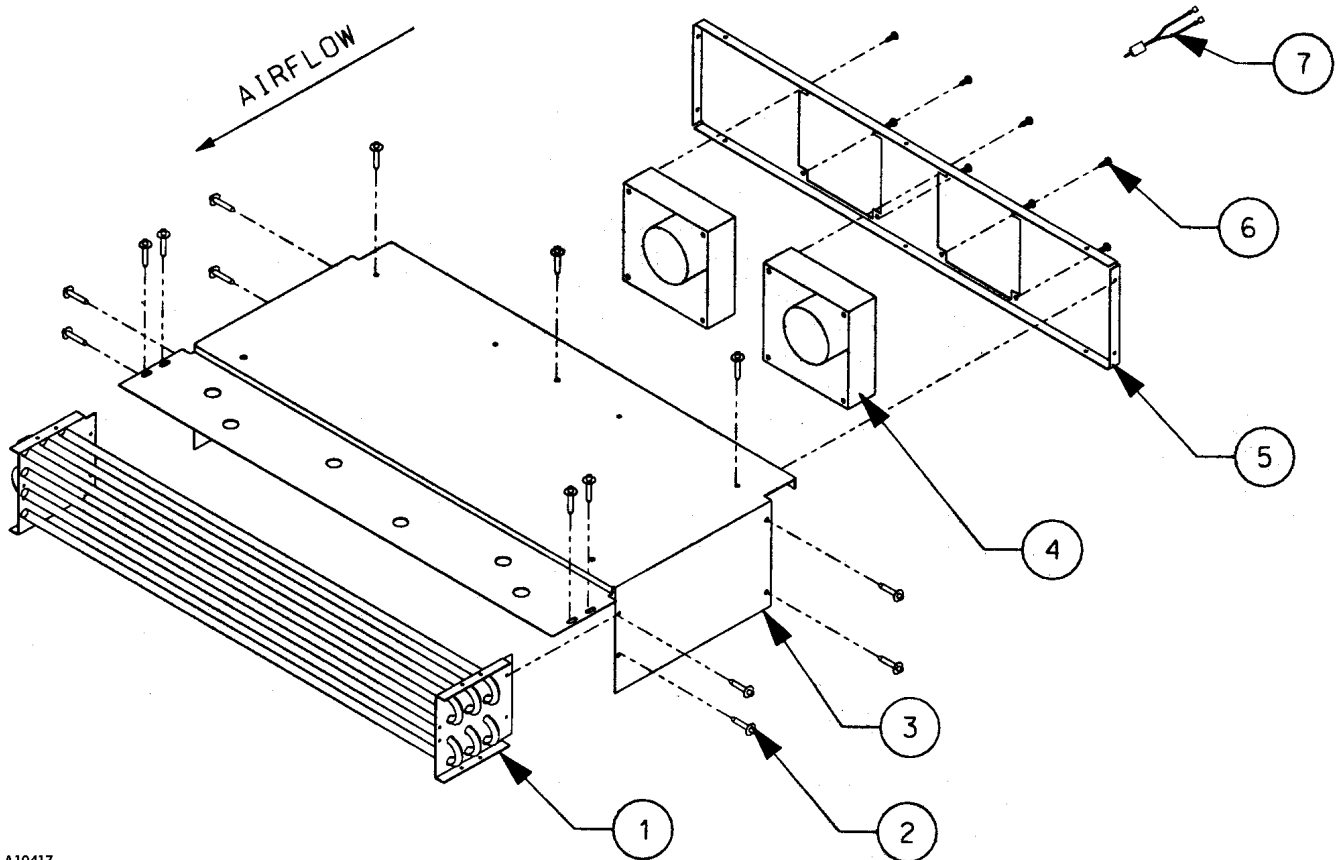
Refrigeration Assembly

ITEM	PART NUMBER	QTY	DESCRIPTION	CC
5	4203789	1	Compressor-1/4 H.P. – 115V	CO
	4205469	1	Compressor-1/4 H.P. – 230V	CO
-	8045052-12	1	Overload Protector – 115V (Not Shown)	
-	8045052-16	1	Overload Protector – 230V (Not Shown)	
-	8333894-8	1	Relay-Starting – 115V (Not Shown)	
-	8333894-10	1	Relay-Starting – 230V (Not Shown)	
-	8344305	1	Spring-Overload (Not Shown)	
-	8344306	1	Bale Strap (Not Shown)	
-	8344308	1	Cover-Terminal (Not Shown)	
6	8343874	4	Spring Clip	CL
7	8323090-1	4	Grommet-Compressor	GR
8	7332418-000	1	Motor-5 Watt Cond Fan – 115V	RC
	7332418-001	1	Motor-5 Watt Cond Fan – 230V	RC
9	7332420-000	1	Fan Blade 8 3/4x26 Degree	FA
10	8336640	2	Retaining Clip	CL
11	7332405-000	1	Condensor Shroud	IN
12	4205468	1	Drier-Bonded Core	RC
13	7332437-000	1	Discharge Tube	TU
14	7332338-000	1	Condenser Coil-1/3 H.P.	RC
15	7332492-000	1	Decal Warning - Warranty	LA
16	4205507-801	1	Satellite Bottle Label – 115V	LA
	4205507-802	1	Satellite Bottle Label – 230V	LA
17	8358154-000	1	Fan Support without Holes	ST
18	8343839	1	Base Plate Refrigeration	ST
19	8343872	4	Mounting Stud	SM
20	4206108	1	Strain Relief-Bracket	ST
21	4034324	1	Thermostat	TC
22	7332446-000	1	Clamp-Suction Line	RC
23	4034157	1	Grommet-Split 1/2	GR
24	4208127	1	Accumulator Support	ST
25	7332413-000	1	Harness Mounting Bracket	ST
26	4205214	4	Christmas Tree Clip	CL
27	7332392-000	1	8 X 1-1/2 Phillips Pan Head Sheet Metal Screw	SC
28	4207050	2	1/4-20x1/2 Hwh Type 23 Type T	SC
29	4208286	1	Refrg/Service Harness	HA
30	8800638	2	10-16x3/8 Phillips Pan Head Type B	SC
31	7332393-000	4	1/4-20x3/8 Sltd Hex Head Machine Screw	SC
32	8800949	4	3/8-16 Hex Nut with ETW	NU
33	7332422-000	1	Tube-Accumulator Connector	TU
34	8801204	6	10-16x3/8 Phillips Truss Head with ETW Type B	SC
35	8916923	2	1/4-20 Twin Spring Nut	NU
Not Shown	1214311	1	Suction Line Assembly	AS
	4033683	1	Cord Strain Relief Bushing	GR
	4033712	2	Cable Tie 7 3/8"	WT
	4050585	1	#8 Ext Tooth Lockwasher	WA
	8801180-003	2	¼" Copper Tubing x 6"	TU

COMMON CABINET ASSEMBLY

Refrigeration Assembly

Evaporator and Fan Assembly



A10417

ITEM	PART NUMBER	QTY	DESCRIPTION	CC
	1214350-110	1	Evaporator & Fan Assembly - 115V	AS
	1214350-230	1	Evaporator & Fan Assembly - 230V	AS
1	7332400-000	1	Coil Evaporator	RC
2	4050663	15	Rivet	RI
3	4208403	1	Evaporator Baffle	ST
4	4034344-000	2	Evaporator Fan - 115V	FA
	4034344-001	2	Evaporator Fan - 230V	FA
5	4208128-002	1	Evaporator Fan Mount	ST
6	8800852	8	8-32x3/8 Phillips Pan Head Type T	SC
7	4208172	2	Fan Motor Harness	HA
Not Shown	4033712	3	Cable Tie - 7-3/8"	WT