



# BAIT VENDOR

MODEL: 3037-BAIT A



## PARTS MANUAL

JUNE 1996

P/N 4207828

## TABLE OF CONTENTS

|   |       |
|---|-------|
| GENERAL INFORMATION.....                | 1     |
| FINAL ASSEMBLY.....                     | 2,3   |
| CABINET ASSEMBLY .....                  | 4,5   |
| TRANSFORMER BOX/PLATE ASSEMBLY .....    | 6     |
| TEMPERATURE CONTROL ASSEMBLY.....       | 7     |
| DELIVERY RAMP ASSEMBLY .....            | 8     |
| COMPLETE CAN RACK ASSEMBLY.....         | 9     |
| SHAKER ASSEMBLY .....                   | 10    |
| EJECTOR MECH ASSEMBLY.....              | 11    |
| INNER DOOR ASSEMBLY.....                | 12,13 |
| VEND PORT DOOR ASSEMBLY.....            | 14,15 |
| DOOR ASSEMBLY.....                      | 16,17 |
| COIN INSERT/CONTROL BOARD ASSEMBLY..... | 18,19 |
| DELIVERY ASSEMBLY .....                 | 20,21 |
| PUSH BUTTON & SELECTION ASSEMBLY.....   | 22    |
| MECH DOOR ASSEMBLY.....                 | 23    |
| REFRIGERATION CHASIS ASSEMBLY.....      | 24,25 |

## GENERAL INFORMATION:

Welcome to VendNet™, we offer you three convenient ways to order replacement parts. If you have any questions when placing your order, please call and we'll be happy to assist you. Please provide the following information when placing your order:

Quantity Required  
Part Number  
Shipping and Billing Address  
Description  
Preferred Method of Shipment  
Vendor Model Number  
Customer Account Number  
Serial Number

- MINIMUM ORDER \$25.00. You may wish to inquire on prices of parts at the time of your order. If you order less than the minimum, please check our catalog for other parts you may require to bring your order up to the \$25.00 minimum order.
- OPEN ACCOUNT with approved credit.
- MASTER CARD - VISA - C.O.D.

If you have any questions, please call and we will be happy to assist you.

## TO ORDER BY MAIL:

You may request your requirements for parts by providing the necessary information as requested above, and mailing your order to:

VendNet™  
P.O. Box 488  
165 North 10th Street  
Waukee, Iowa 50263-0488

If you have any questions phone or FAX us at VendNet™ Parts and we will be happy to assist you. Order forms are available upon request from VendNet™ Or you may use your own purchase order form.

## TO ORDER BY FAX MACHINE: (515) 987-4447

You may Fax your order for replacement parts by providing the necessary information as requested above to VendNet™ By using our fax, (515) 987-4447.

## TO ORDER BY E-MAIL:

You may E-MAIL your order for replacement parts by providing the necessary information as requested above to the address:

**VENDNET@NETINS.NET**

## TO ORDER BY PHONE:

**In US = 800-833-4411**

**In Canada = 800-858-4730**

**Outside US & Canada = 515-274-3641**

You may call in your order for replacement parts. Ask for VendNet™ Parts Department. Please provide the necessary information, as requested above, to allow us to provide you with prompt courteous service. If you have any questions, so indicate and we will be happy to assist you.

## RETURNS:

**RESTOCKING CHARGE 20%.** A restocking charge of 20% will apply to merchandise accepted by VendNet™ for return, except items processed as warranty.

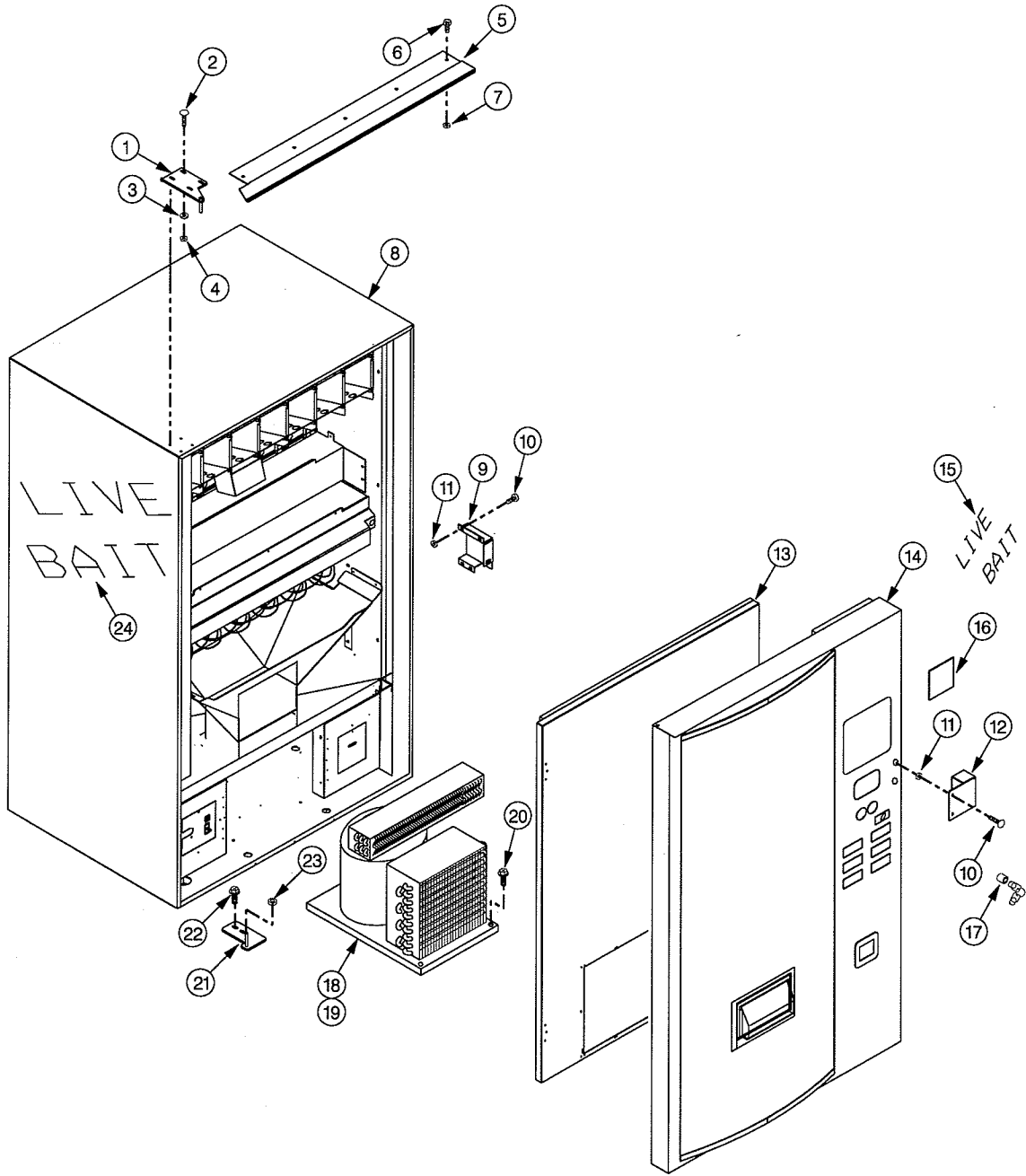
All items returned must be accompanied by a "material return tag" clearly stating the reason for return. Returns are to be shipped freight prepaid to VendNet™, 165 North 10th Street, Waukee, Iowa 50263-0488. (Return tags are available upon request from VendNet™.)

If you have any questions regarding returns, please call VendNet™.

## LIMITATION OF LIABILITY:

VendNet™ shall not be liable for any injury, loss or damage, whether direct, incidental or consequential arising out of the use of or the inability to use any part, parts or products sold by VendNet™. The remedies of the buyer set forth herein are exclusive, and the liability of VendNet™. With respect to any contract or sale or anything done in connection herewith, whether in connection therewith, whether in contract, in tort, under any warranty, or otherwise, shall not, except as expressly provided herein, exceed the price of the part, parts or products on which such liability is based. Any statements or representations about the parts or product, other than those contained herein, do not constitute warranties and shall not be relied on by the buyer and shall have no force of effect unless contained in a written agreement signed by officers of VendNet™.

# FINAL ASSEMBLY



**FINAL ASSEMBLY**

| ITEM | PART NUMBER | QTY | DESCRIPTION                                   |
|------|-------------|-----|---|
| 1    | 1211385-XXX | 1   | TOP HINGE WELD (SPECIFY COLOR)                |
| 2    | 4050393     | 4   | 1/4 - 20 X 3/4 CARRIAGE BOLT                  |
| 3    | 4050084     | 4   | 1/4 SPLIT LOCKWASHER                          |
| 4    | 4050547     | 4   | 1/4 - 20 TWIN WHIZ NUT                        |
| 5    | 4207068     | 1   | RAIN GUARD                                    |
| 6    | 4050393     | 5   | 1/4-20 X 3/4 CARRAIGE BOLT                    |
| 7    | 4050547     | 5   | 1/4-20 TWIN WHIZ LOCK NUT                     |
| 8    | 1212899     | 1   | CABINET ASSEMBLY (SEE PAGE #4 & 5)            |
| 9    | 4205023-001 | 1   | LOCK BRACKET, SIDE                            |
| 10   | 4050393     | 6   | 1/4-20 X 3/4 CARRAIGE BOLT                    |
| 11   | 4050547     | 6   | 1/4-20 TWIN WHIZ LOCK NUT                     |
| 12   | 4207340     | 1   | LOCK BRACKET, FRONT                           |
| 13   | 1212822-001 | 1   | INNER DOOR ASSEMBLY (SEE PAGE #12 & 13)       |
| 14   | 1212894     | 1   | COMMON DOOR ASSEMBLY (SEE PAGE #16 & 17)      |
| 15   | 4206754     | 1   | DECAL - LIVE BAIT, FRONT                      |
| 16   | 4206939     | 1   | LABEL, TILT                                   |
| 17   | 4060330     | 1   | LOCK CYLINDER W/2 KEYS                        |
| 18   | 1214133     | 1   | REFRIGERATION SYSTEM 1/3HP (SEE PAGE#24 & 25) |
| 19   | 8620495     | 1   | LABEL, REFER WARNING                          |
| 20   | 4050781     | 2   | 5/16-18 X 1 1/4 HH TAPTITE                    |
| 21   | 1211384-XXX | 1   | BOTTOM HINGE WELD (SPECIFY COLOR)             |
| 22   | 8801388     | 2   | 5/16-18 X 3/4 HH TAPTITE                      |
| 23   | 4050767     | 1   | 3/8 FLAT WASHER, NYLON                        |
| 24   | 4206753     | 2   | DECAL - LIVE BAIT, SIDE                       |

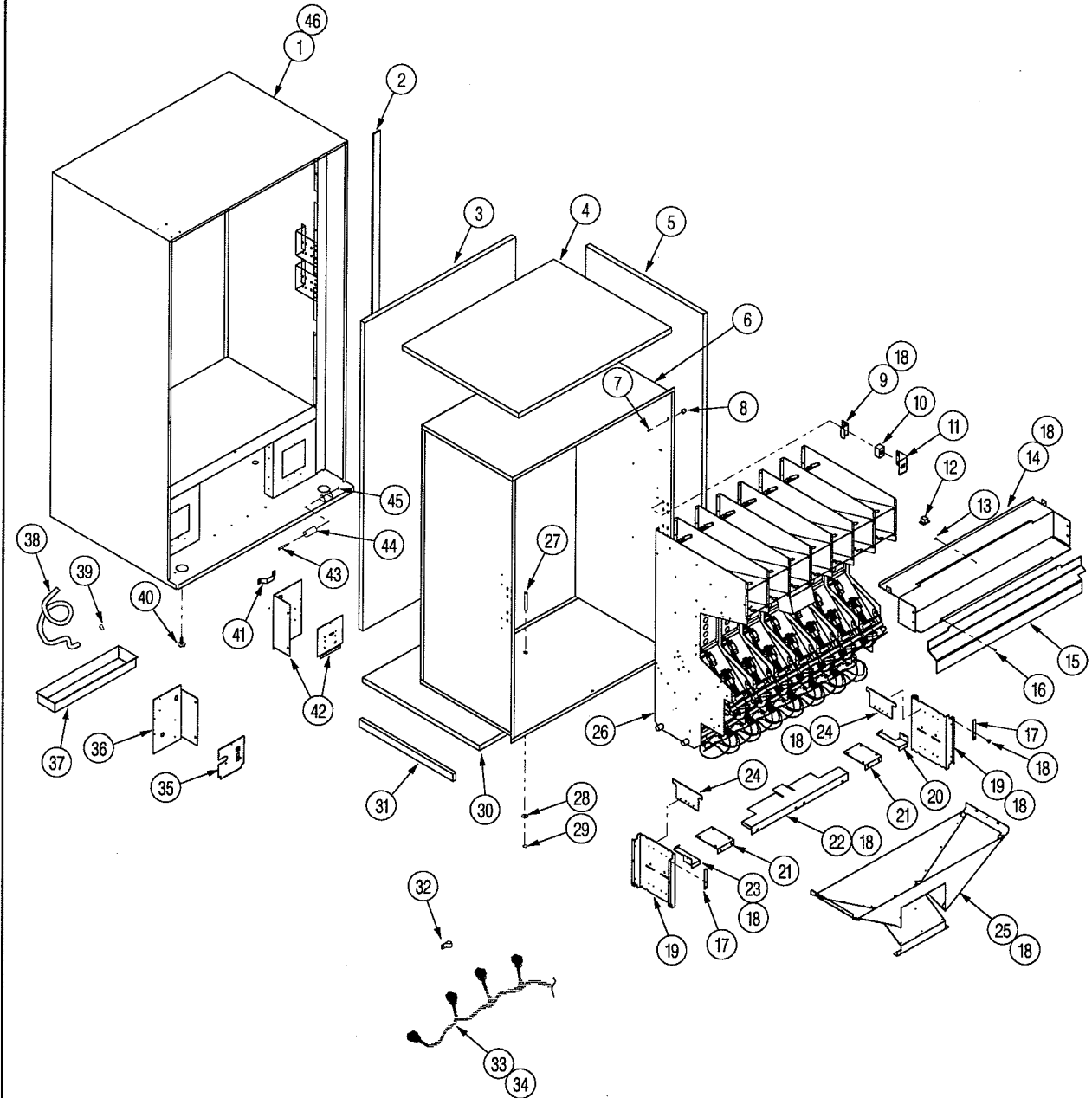
**PARTS FURNISHED IN SERVICE PACKET (NOT SHOWN)**

|  |             |     |  |
|--|-------------|-----|--|
|  | 4202009-XXX | A/R | LABEL, PRICE STICKERS (SPECIFY PRICE)    |
|  | 4201907     | 1   | VALIDATOR PLATE                          |
|  | 4203326-XXX | A/R | SELECTION LABELS (SPECIFY WHEN ORDERING) |
|  | 4207449     | 1   | SERVICE MANUAL                           |

**OPTIONAL KITS & ACCESSORIES (NOT SHOWN)**

|  |             |     |  |
|--|-------------|-----|--|
|  | 1212593     | 1   | COIN BOX LOCK ASSEMBLY                           |
|  | 4060366     | 1   | LOCK - COIN BOX                                  |
|  | 4205114     | 1   | LOCK CAM - COIN BOX                              |
|  | 1214162     | A/R | VEND CAPSULE ASSEMBLY                            |
|  | 4207816     | A/R | BAIT BAG, 6" X 12", 1.4 mil                      |
|  | 1200137-266 | 1   | HEATER KIT                                       |
|  | 7202038-000 | 1   | CUSTOM LOCK CYLINDERS (CODED TO CUSTOMER SPECS.) |

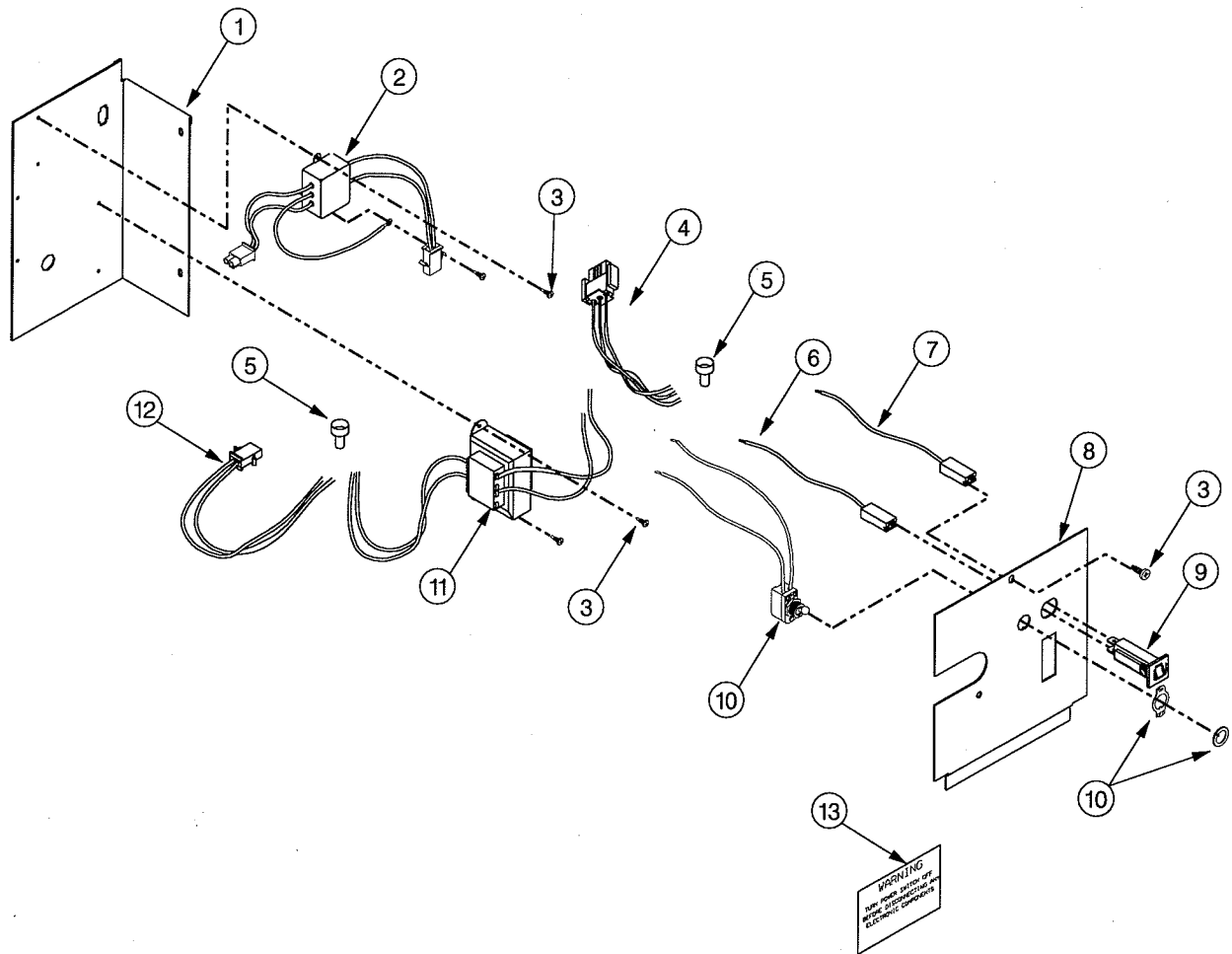
# CABINET ASSEMBLY



## CABINET ASSEMBLY

| ITEM | PART NUMBER | QTY   | DESCRIPTION                                |
|------|-------------|-------|--|
| 1    | 1212947-001 | 1     | CABINET WELD                               |
| 2    | 4202278-003 | 16 FT | FOAM TAPE, 2 1/4"                          |
| 3    | 7200952-007 | 1     | INSULATION - CABINET BACK                  |
| 4    | 4008881-001 | 1     | INSULATION - CABINET TOP                   |
| 5    | 4008878-001 | 2     | INSULATION - CABINET SIDE                  |
| 6    | 1212983     | 1     | CABINET LINER WELD                         |
| 7    | 7200468-001 | 16    | #10-12 X 1 PHIL TH TYPE-A                  |
| 8    | 4202189     | 16    | SNAP-IN PLASTIC SPRING, 1/4                |
| 9    | 4203266     | 1     | NUT RETAINER                               |
| 10   | 4050760     | 1     | 1/2-13 SQUARE NUT W/RETAINER               |
| 11   | 4203487     | 1     | LATCH NUT MOUNT                            |
| 12   | 4201920-001 | 1     | THERMISTER ASSEMBLY                        |
| 13   | 4025723     | 1     | STAND-OFF                                  |
| 14   | 4207133     | 1     | STORAGE SHELF                              |
| 15   | 4207329     | 1     | MOTOR COVER                                |
| 16   | 4050420     | 3     | #8-18 X 1/4 PHIL HWH                       |
| 17   | 4207721     | 2     | RACK SPACER PLATE                          |
| 18   | 4050202     | 42    | #8-18 X 1/2 PHIL HWH TEK                   |
| 19   | 4207093     | 2     | CAN RACK MOUNT                             |
| 20   | 4202921-001 | 1     | EVAPORATOR SUPPORT, RIGHT                  |
| 21   | 4201980     | 2     | EXTENSION BRACKET                          |
| 22   | 4201979     | 1     | AIR BAFFLE                                 |
| 23   | 4202921     | 1     | EVAPORATOR SUPPORT, LEFT                   |
| 24   | 4207720     | 2     | BOTTOM CAN RACK RETAINER                   |
| 25   | 1212970     | 1     | DELIVERY RAMP ASSEMBLY, (SEE PAGE #8)      |
| 26   | 1212896     | 1     | CAN RACK ASSEMBLY (SEE PAGE #9)            |
| 27   | 7100042-000 | 1     | DRAIN TUBE                                 |
| 28   | 4050608     | 1     | 1/2 FLAT WASHER                            |
| 29   | 4202284     | 1     | .500 DIA PUSH NUT                          |
| 30   | 4008877-001 | 1     | INSULATION, CABINET BOTTOM                 |
| 31   | 4202895     | 2     | CABINET LINER SUPPORT                      |
| 32   | 4060116     | 3     | PLASTIC WIRE CLAMP, 3/8"                   |
| 33   | 4207416     | 1     | CABINET HARNESS                            |
| 34   | 4033712     | 10    | CABLE TIE 7 3/8" (NOT SHOWN)               |
| 35   | 1212830-001 | 1     | TRANSFORMER PLATE ASSEMBLY (SEE PAGE #6)   |
| 36   | 1214123     | 1     | TRANSFORMER BOX ASSEMBLY (SEE PAGE #6)     |
| 37   | 7200623-000 | 1     | DRAIN PAN                                  |
| 38   | 4025410-006 | 1     | MAYON TUBING, 3.5 FEET                     |
| 39   | 7200341-000 | 1     | TUBE CLIP                                  |
| 40   | 4060310     | 4     | LEG LEVELERS                               |
| 41   | 4202883     | 1     | LINE RETAINER                              |
| 42   | 1214112     | 1     | TEMPERATURE CONTROL ASSEMBLY (SEE PAGE #7) |
| 43   | 8383009     | 1     | PIN  |
| 44   | 8368656     | 1     | ROLLER                                     |
| 45   | 4200088     | 1     | .25 DIA STUD, PUSH NUT                     |
| 46   | 4200032-000 | 1     | LABEL, MADE IN U.S.A.                      |

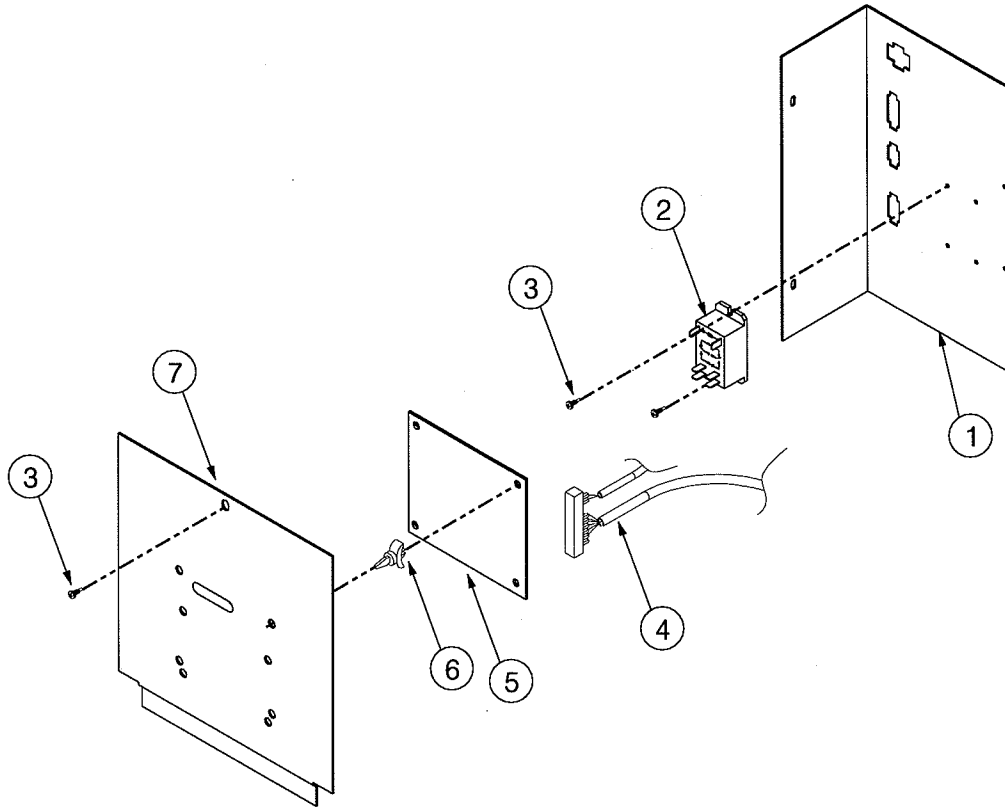
## TRANSFORMER BOX/PLATE ASSEMBLY



| ITEM | PART NUMBER | QTY | DESCRIPTION                   |
|------|-------------|-----|-------------------------------|
| 1    | 4206558     | 1   | ELECTRIC BOX, BACK LEFT       |
| 2    | 4203730-002 | 1   | R.F.I. FILTER                 |
| 3    | 4050180     | 5   | #8-18 X 1/2 PHIL PH TEK       |
| 4    | 4202939     | 1   | POWER DISTRIBUTION HARNESS    |
| 5    | 4033505     | 6   | CLOSED END SPLICE CAP         |
| 6    | 4202941     | 1   | CIRCUIT BREAKER LINE - BLUE   |
| 7    | 4202940     | 1   | CIRCUIT BREAKER LINE - ORANGE |
| 8    | 4206569-001 | 1   | TRANSFORMER PLATE             |
| 9    | 4203467-003 | 1   | 3 AMP CIRCUIT BREAKER         |
| 10   | 4033511     | 1   | TOGGLE SWITCH                 |
| 11   | 1210952     | 1   | TRANSFORMER                   |
| 12   | 4033975     | 1   | TRANSFORMER HARNESS           |
| 13   | 8620711     | 1   | LABEL - POWER SWITCH WARNING  |

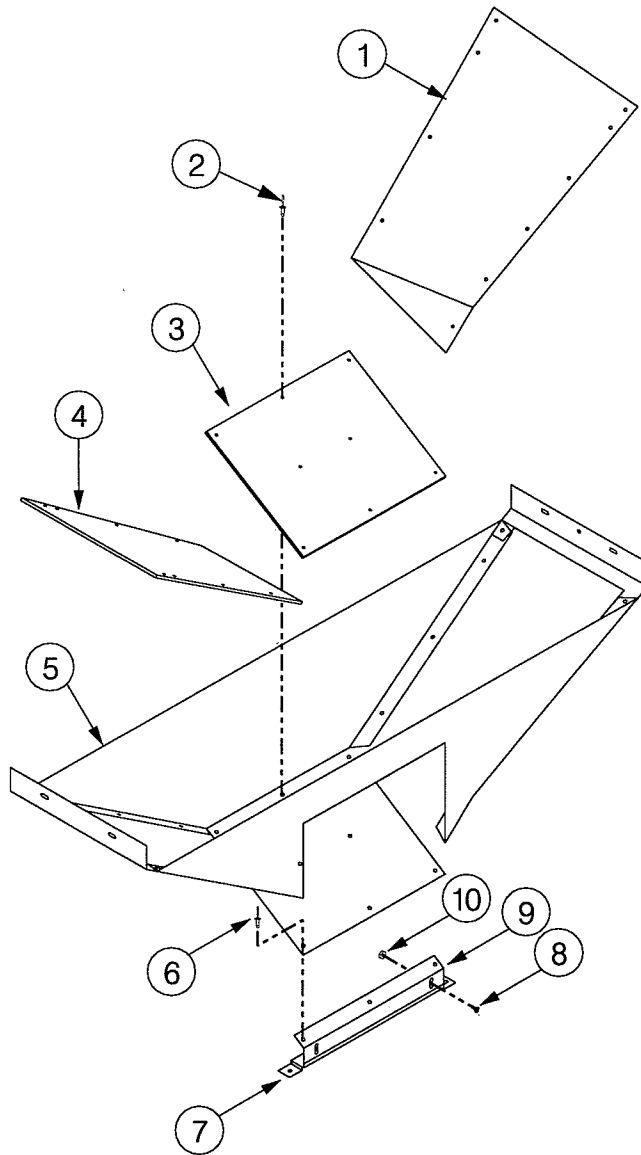


## TEMPERATURE CONTROL ASSEMBLY



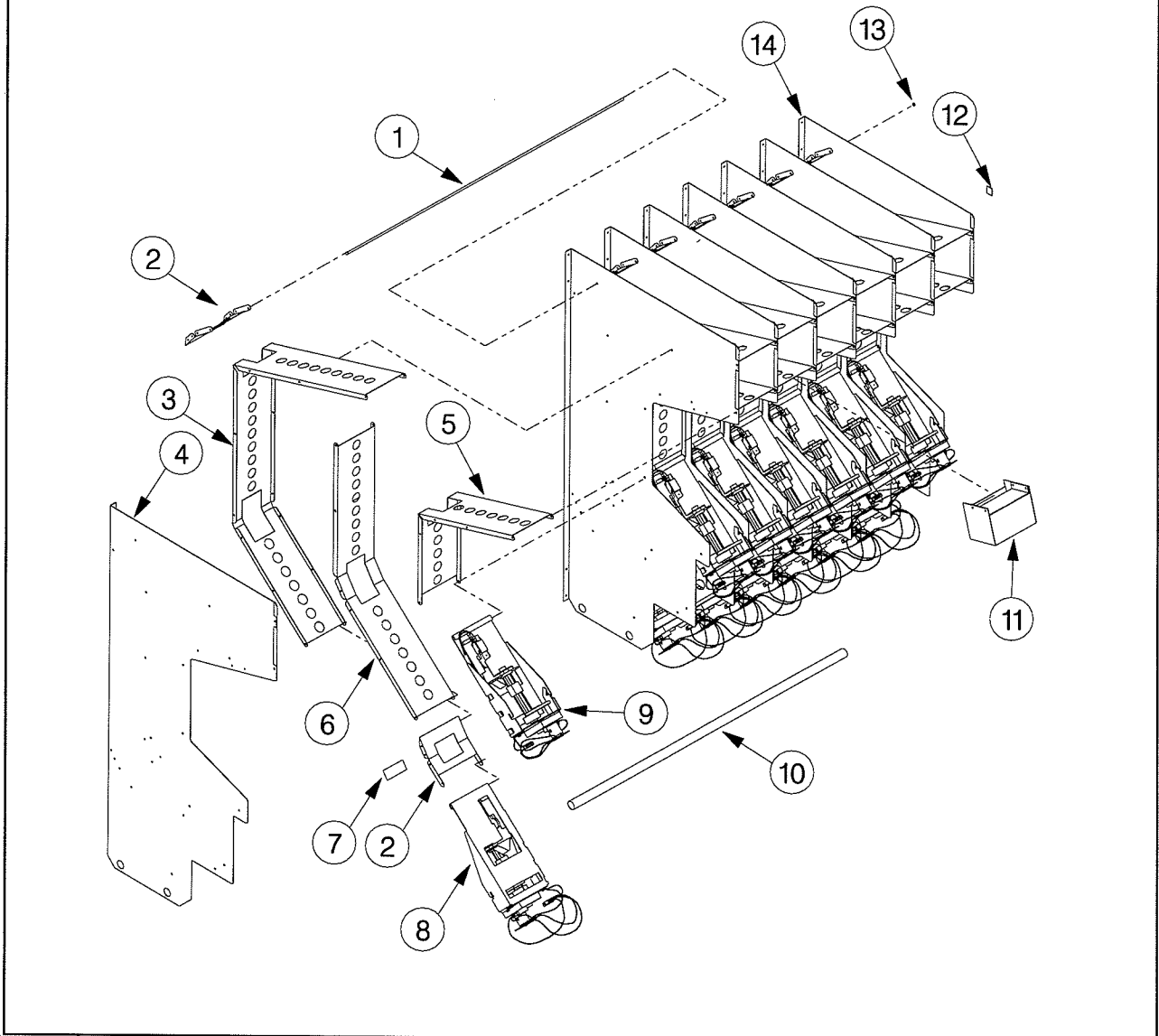
| ITEM | PART NUMBER | QTY | DESCRIPTION                 |
|------|-------------|-----|-----------------------------|
| 1    | 4206645     | 1   | ELECTRIC BOX, BACK RIGHT    |
| 2    | 4206643     | 1   | RELAY, 24VAC/DC30A          |
| 3    | 4050180     | 3   | #8-18 X 1/2 PHIL PH TEK     |
| 4    | 4207472     | 1   | TEMPERATURE CONTROL HARNESS |
| 5    | 4207480     | 1   | TEMPERATURE CONTROL BOARD   |
| 6    | 4025723     | 4   | CONTROL BOARD STAND-OFF     |
| 7    | 4206646     | 1   | PLATE, RIGHT                |

## DELIVERY RAMP ASSEMBLY



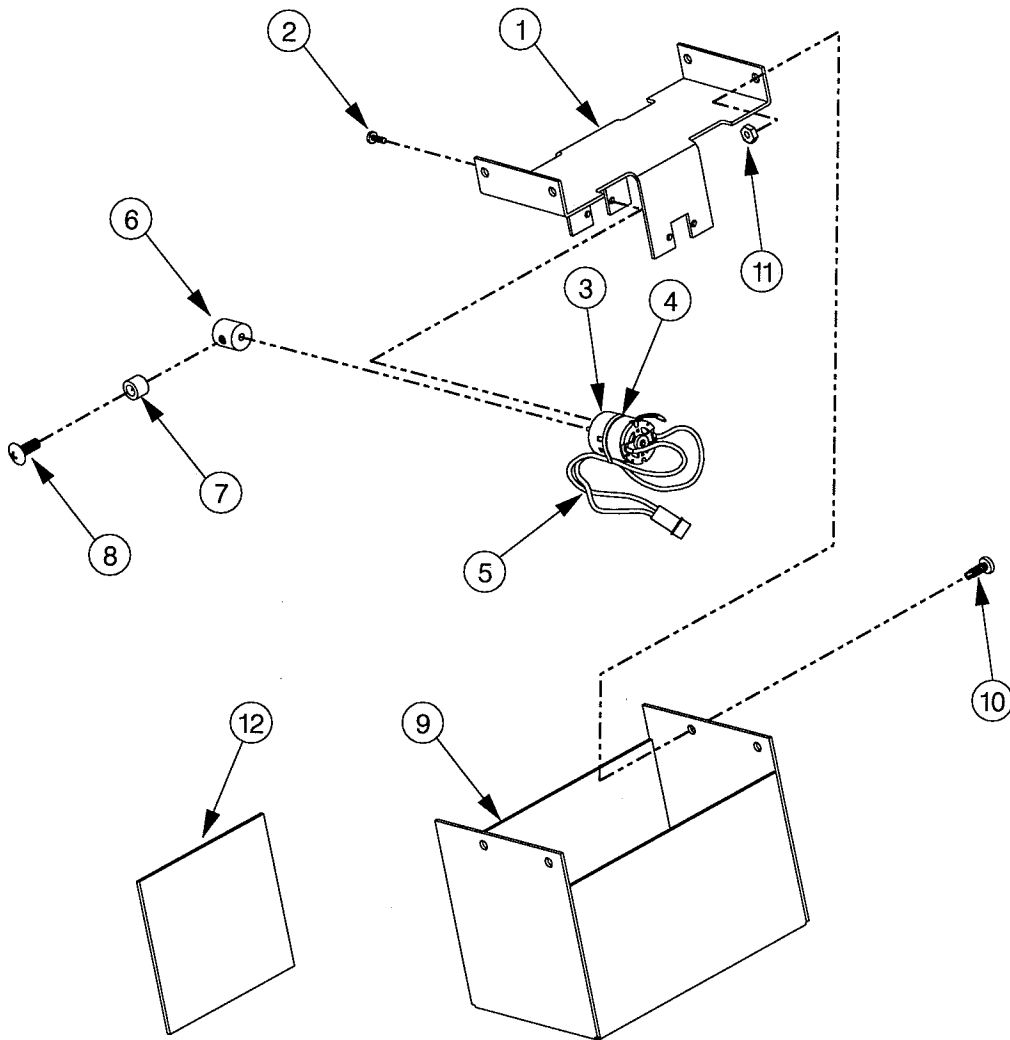
| ITEM | PART NUMBER | QTY | DESCRIPTION                             |
|------|-------------|-----|---|
|      | 1212970     | 1   | DELIVERY RAMP ASSEMBLY                  |
| 1    | 4207339     | 1   | DELIVERY RAMP, RIGHT                    |
| 2    | 4207009     | 23  | POP RIVET, 1/4 - 3/8 X 5/32, ALUM/STEEL |
| 3    | 4207337     | 1   | DELIVERY RAMP, MOUTH                    |
| 4    | 4207338     | 1   | DELIVERY RAMP, LEFT                     |
| 5    | 1212969     | 1   | DELIVERY FRAME WELD                     |
| 6    | 4207009-001 | 3   | POP RIVET, 1/4 - 3/8 X 5/32, ALUM/ALUM  |
| 7    | 4207716     | 1   | ADJUSTABLE FRONT DELIVERY MOUNT         |
| 8    | 4050240     | 2   | #8-32 X 3/8 PHIL PH MS                  |
| 9    | 4207715     | 1   | FRONT DELIVERY MOUNT                    |
| 10   | 8800956     | 2   | #8-32 HEX NUT W/ETW                     |

## COMPLETE CAN RACK ASSEMBLY



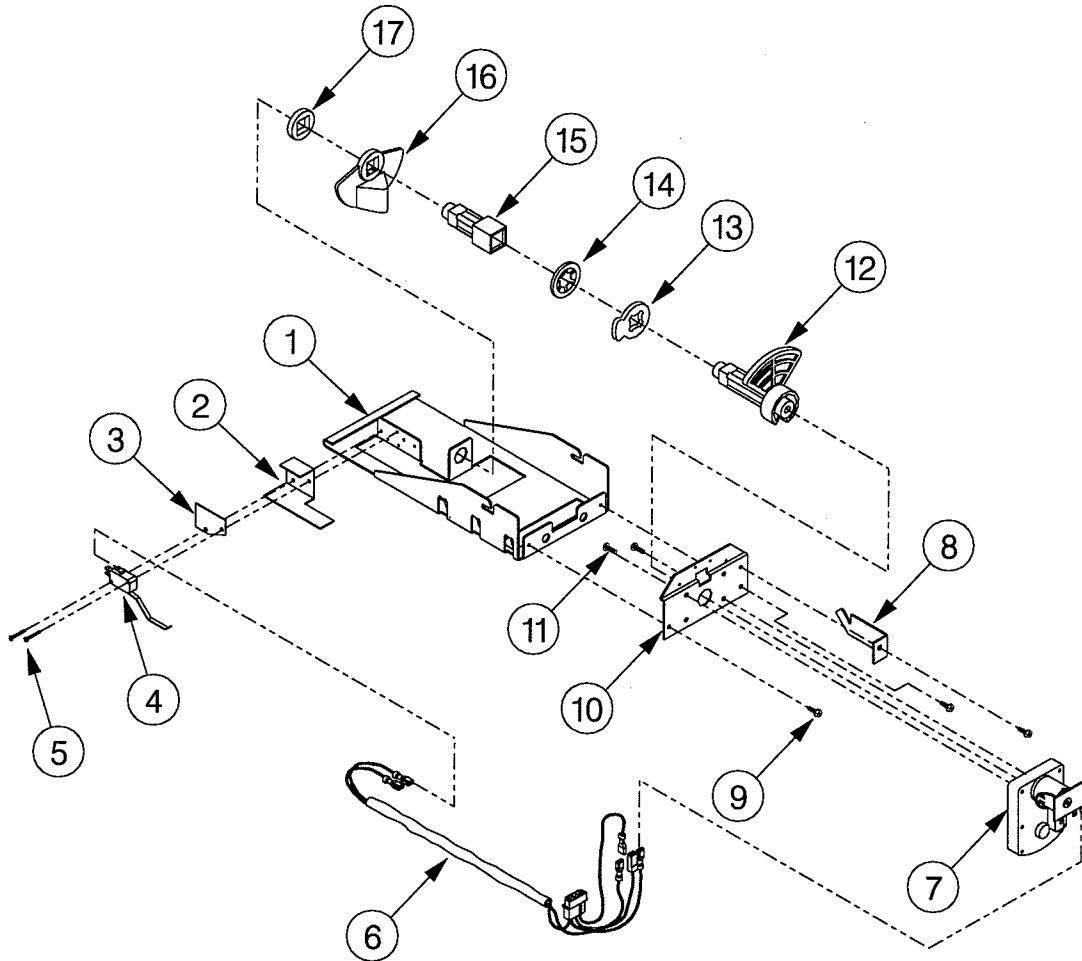
|    |             |        |  |
|----|-------------|--------|--|
|    | 1212896     | 1      | COMPLETE CAN RACK ASSEMBLY                 |
| 1  | 7332474-001 | 27     | TIE ROD, .156 DIA.                         |
| 2  | 4207270     | 14     | REAR TRANSITION                            |
| 3  | 4207267     | 7      | RACK DIVIDER, REAR                         |
| 4  | 4207044-001 | 1      | PARTITION PANEL, LEFT                      |
| 5  | 4207269     | 7      | RACK DIVIDER, FRONT                        |
| 6  | 4207268     | 7      | RACK DIVIDER, CENTER                       |
| 7  | 4202225     | .13 rl | TAPE, .005 X .5 X 18"                      |
| 8  | 1212898     | 7      | LOWER EJECTOR MECH ASSEMBLY (SEE PAGE #11) |
| 9  | 1212897     | 7      | UPPER EJECTOR MECH ASSEMBLY (SEE PAGE #11) |
| 10 | 8620197-001 | 2      | TUBE, RACK SUPPORT                         |
| 11 | 1212968     | 1      | SHAKER MOTOR ASSEMBLY (SEE PAGE #10)       |
| 12 | 8620438     | 1      | DOUBLE DIGIT #                             |
| 13 | 7332476-000 | 27     | .156 STUD DIA PUSH NUT                     |
| 14 | 4207044     | 7      | PARTITION PANEL, RIGHT                     |

## SHAKER ASSEMBLY



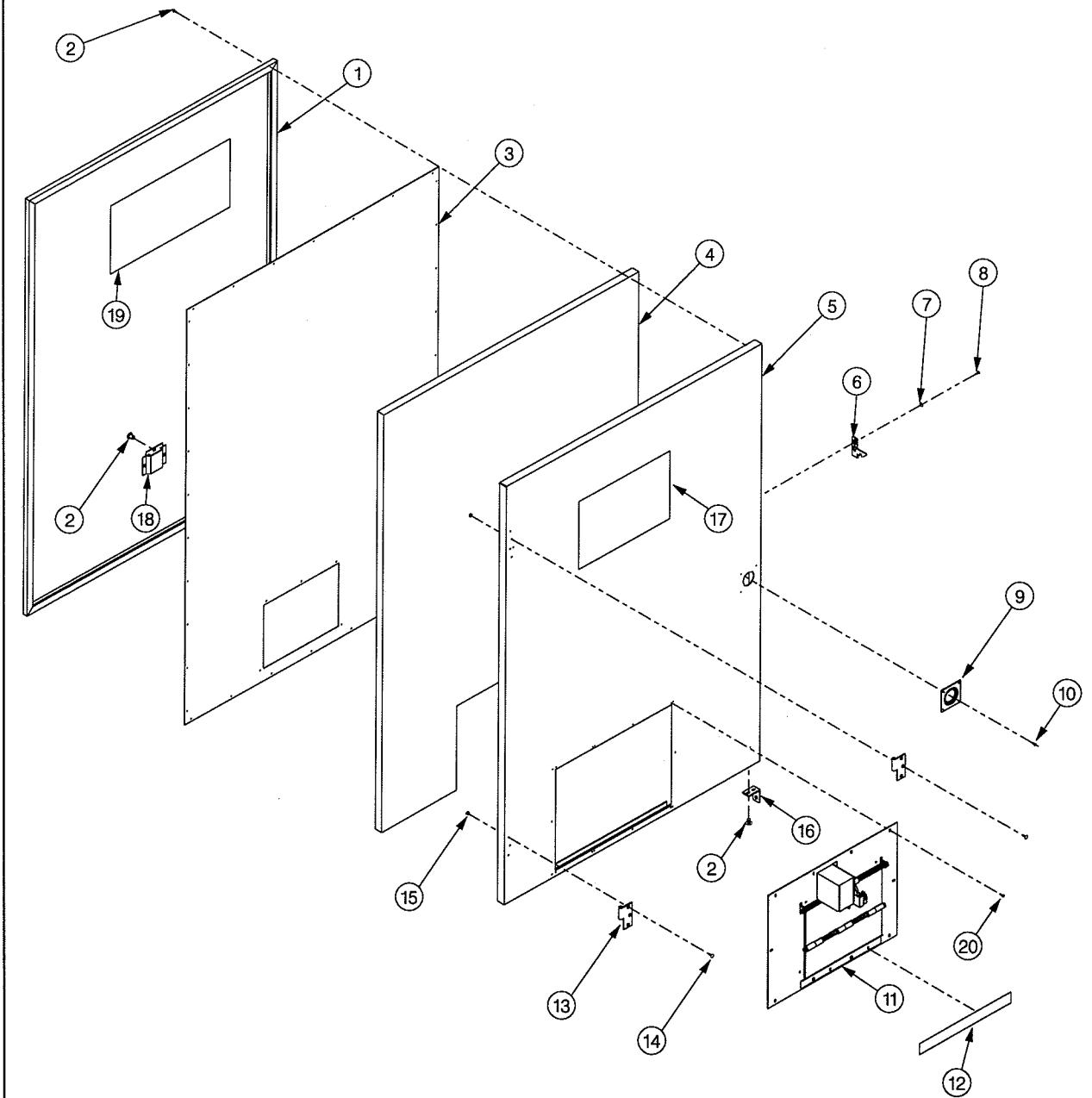
| ITEM | PART NUMBER | QTY | DESCRIPTION                   |
|------|-------------|-----|-------------------------------|
|      | 1212968     | 1   | SHAKER ASSEMBLY               |
| 1    | 4207330     | 1   | SHAKER MOTOR BRACKET          |
| 2    | 4207434     | 2   | SCREW, COLEMAN OEM A170-178   |
|      | 1214161     | 1   | SHAKER MOTOR ASSEMBLY         |
| 3    | 4207433     | 1   | MOTOR, COLEMAN OEM A600-12    |
| 4    | 4033976     | 1   | TRANSFORMER HARNESS - PRIMARY |
| 5    | 4033712     | 1   | CABLE TIE, 7 3/8"             |
| 6    | 4207431     | 1   | SHAKER CAM BODY               |
| 7    | 4207432     | 1   | SHAKER ECCENTRIC WEIGHT       |
| 8    | 4050337     | 1   | #10-32 X 5/8 PHIL RH SCREW    |
| 9    | 4207332     | 1   | SHAKER MOTOR COVER            |
| 10   | 4050240     | 4   | #8-32 X 3/8 PHIL PH MS        |
| 11   | 8800956     | 4   | #8-32 HEX NUT W/ETW           |
| 12   | 4207617     | 1   | LABEL, LOADING ADVICE         |

## EJECTOR MECH ASSEMBLY



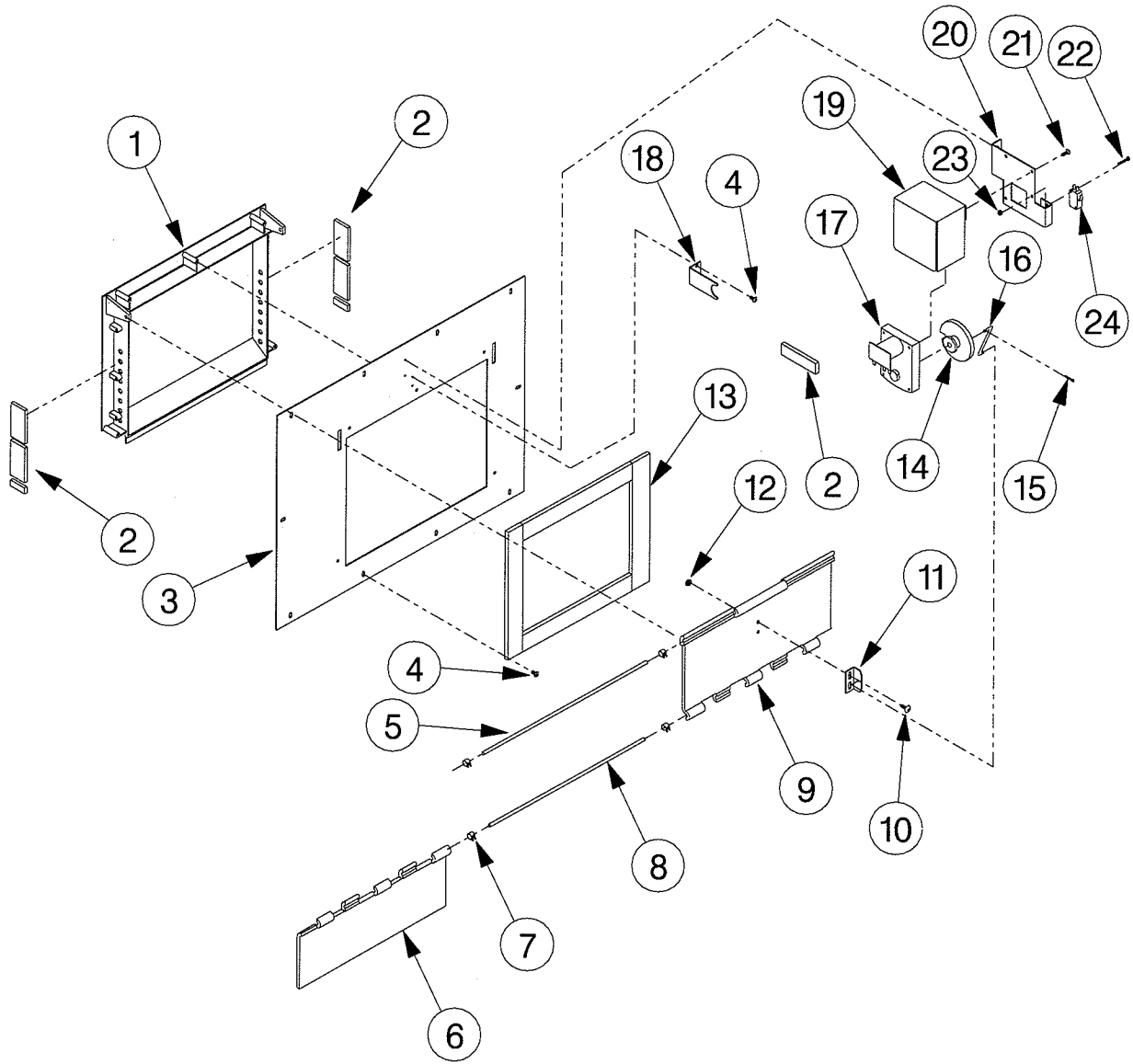
| ITEM | PART NUMBER | QTY | DESCRIPTION                                 |
|------|-------------|-----|---|
|      | 1212897     | 7   | UPPER EJECTOR MECH ASSEMBLY                 |
|      | 1212898     | 7   | LOWER EJECTOR MECH ASSEMBLY                 |
| 1    | 4207054     | 1   | BAIT MECH PLATE                             |
| 2    | 4201561     | 1   | SWITCH COVER                                |
| 3    | 4003735     | 1   | SWITCH INSULATOR                            |
| 4    | 4207690     | 1   | SOLD OUT SWITCH                             |
| 5    | 8801332     | 2   | #4-40 X 3/4 PHIL PH TAPTITE                 |
| 6    | 4202946     | 1   | MOTOR HARNESS                               |
| 7    | 4202826     | 1   | MOTOR, 24VDC - 360°                         |
| 8    | 4201326     | 1   | RETAINING BRACKET                           |
| 9    | 4050202     | 3   | #8-18 X 1/2 PHIL HWH TEK                    |
| 10   | 4201328     | 1   | MOTOR MOUNT PLATE                           |
| 11   | 8800636     | 2   | #8-18 X 1/2 PHIL PH TYPE-B                  |
| 12   | 4201162     | 1   | CAM, LARGE                                  |
| 13   | 4201542     | 1   | AUXILIARY EJECTOR (LOWER EJECT. MECH ONLY)  |
| 14   | 4201628     | 1   | CAM SHAFT RETAINER (LOWER EJECT. MECH ONLY) |
| 15   | 4207048     | 1   | EJECTOR MECH ADAPTOR                        |
| 16   | 4201161     | 1   | CAM, SMALL                                  |
| 17   | 4201160     | 1   | SPACER                                      |

# INNER DOOR ASSEMBLY



| <b>INNER DOOR ASSEMBLY</b> |                    |            |   |
|----------------------------|--------------------|------------|---|
| <b>ITEM</b>                | <b>PART NUMBER</b> | <b>QTY</b> | <b>DESCRIPTION</b>                          |
|                            | 1212822-001        | 1          | INNER DOOR ASSEMBLY                         |
| 1                          | 8620054            | 1          | DOOR GASKET                                 |
| 2                          | 4050202            | 34         | #8-18 X 1/2 PHIL HWH TEK                    |
| 3                          | 4207276            | 1          | INNER DOOR PANEL                            |
| 4                          | 4202868-002        | 1          | INNER DOOR INSULATION                       |
| 5                          | 1212804            | 1          | INNER DOOR WELD                             |
| 6                          | 4202961            | 1          | INNER DOOR LATCH                            |
| 7                          | 4030100            | 2          | BUSHING SPACER                              |
| 8                          | 4050180            | 2          | #8-18 X 1/2 PHIL PH TEK                     |
| 9                          | 4202760            | 1          | LOCK FUNNEL                                 |
| 10                         | 4050667            | 4          | 1/8 X 1/4 ALUM POP RIVET                    |
| 11                         | 1212984            | 1          | VEND PORT DOOR ASSEMBLY (SEE PAGE #14 & 15) |
| 12                         | 4202278            | 1 FT       | FOAM TAPE, 1.562W X 50'                     |
| 13                         | 8620140            | 2          | DOOR HINGE                                  |
| 14                         | 8800406            | 6          | #10-32 X 1/2 PHIL TH W/ETW                  |
| 15                         | 8800899            | 6          | #10-32 HEX NUT                              |
| 16                         | 4205021            | 1          | INNER DOOR LOCK BRACKET                     |
| 17                         | 4203748            | 1          | LABEL, OPERATING INSTRUCTIONS               |
| 18                         | 4202882            | 1          | LINE CHANNEL                                |
| 19                         | 4207362            | 1          | LABEL, LOADING CHART                        |
| 20                         | 4050180            | 8          | #8-18 X 1/2 PHIL PH TEK                     |

# VEND PORT DOOR ASSEMBLY

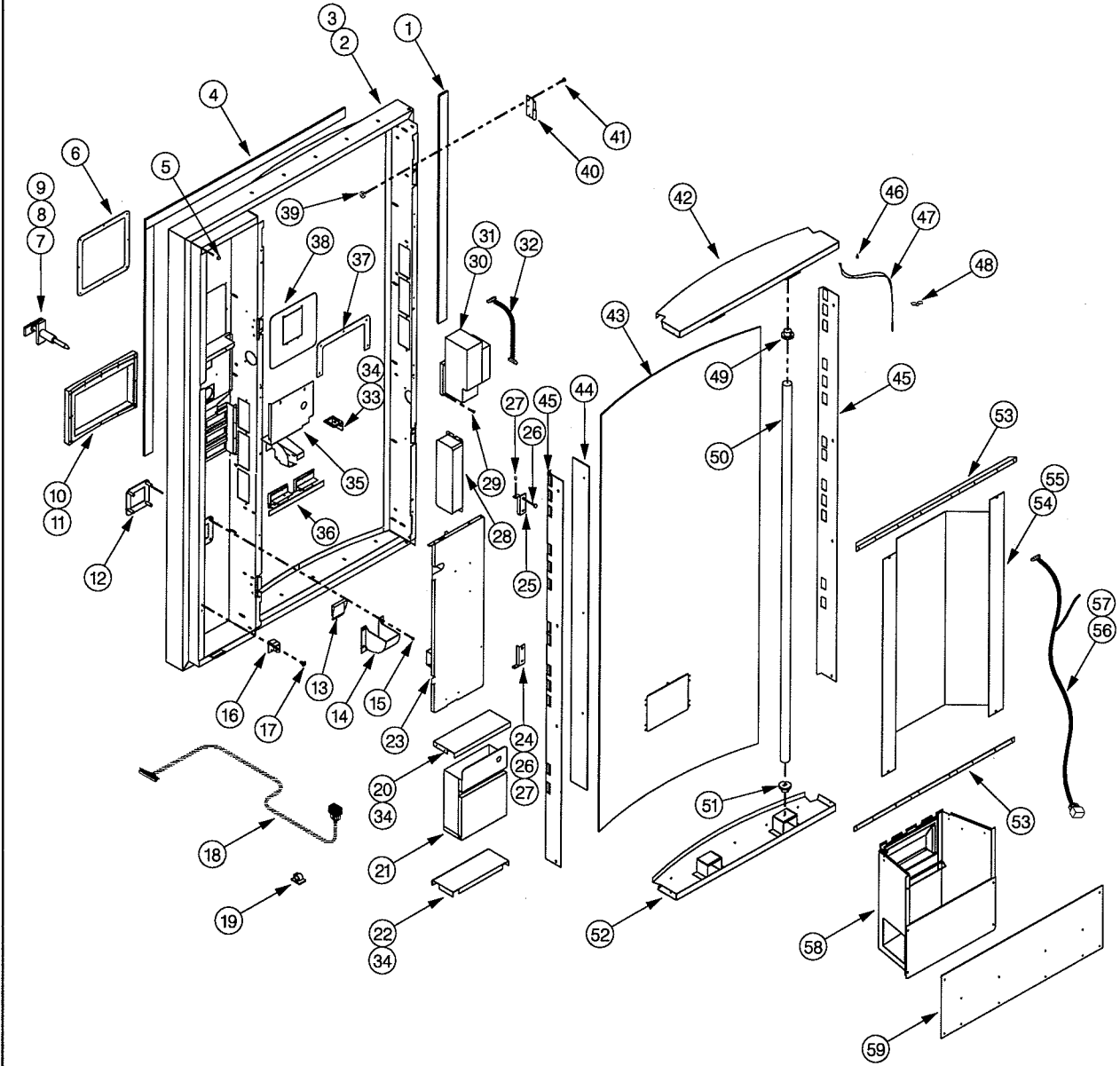




## VEND PORT DOOR ASSEMBLY

| ITEM | PART NUMBER | QTY     | DESCRIPTION                 |
|------|-------------|---------|-----------------------------|
|      | 1212984     | 1       | VEND PORT DOOR ASSEMBLY     |
| 1    | 4206482     | 1       | BEZEL, INNER DOOR           |
| 2    | 4202255     | 1.5 Ft. | GASKET 1/4 X 1/2 W/ADHESIVE |
| 3    | 4207275     | 1       | INNER BEZEL MOUNT           |
| 4    | 4050423     | 19      | #8-18 X 3/8 PHIL PH TYPE-AB |
| 5    | 4206726     | 1       | ROD, OUTER DOOR HINGE       |
| 6    | 4206484     | 1       | DOOR, BI-FOLD BOTTOM        |
| 7    | 7091078-000 | 4       | TUBULAR SPEED NUT           |
| 8    | 4206727     | 1       | ROD, BI-FOLD DOOR HINGE     |
| 9    | 4206481     | 1       | DOOR, BI-FOLD TOP           |
| 10   | 4050244     | 2       | #8-32 X 1/2 PHIL TH MS      |
| 11   | 4206534     | 1       | MOUNT, BI-FOLD DOOR LINK    |
| 12   | 4050513     | 2       | #8-32 TWIN WHIZ LOCK NUT    |
| 13   | 4060006-500 | 3.5 Ft. | FOAM TAPE, 1/4" X 1/2"      |
| 14   | 4206544     | 1       | CAM, BI-FOLD DOOR           |
| 15   | 4050627     | 2       | 1/16 X 1/2 STEEL COTTER     |
| 16   | 4206623     | 1       | LINK, BI-FOLD DOOR          |
| 17   | 4202826     | 1       | MOTOR, 24VDC - 360°         |
| 18   | 4206814     | 1       | KEEPER CAM BI-FOLD DOOR     |
| 19   | 4206898     | 1       | COVER, BI-FOLD DOOR MOTOR   |
| 20   | 4206591     | 1       | BRACKET, INNER DOOR MOTOR   |
| 21   | 4050180     | 4       | #8-18 X 1/2 PHIL PH TEK     |
| 22   | 8801332     | 2       | #4-40 X 3/4 PHIL PH TAPTITE |
| 23   | 8800954     | 2       | #4-40 HEX NUT W/ETW         |
| 24   | 4033914     | 1       | STACK SWITCH                |

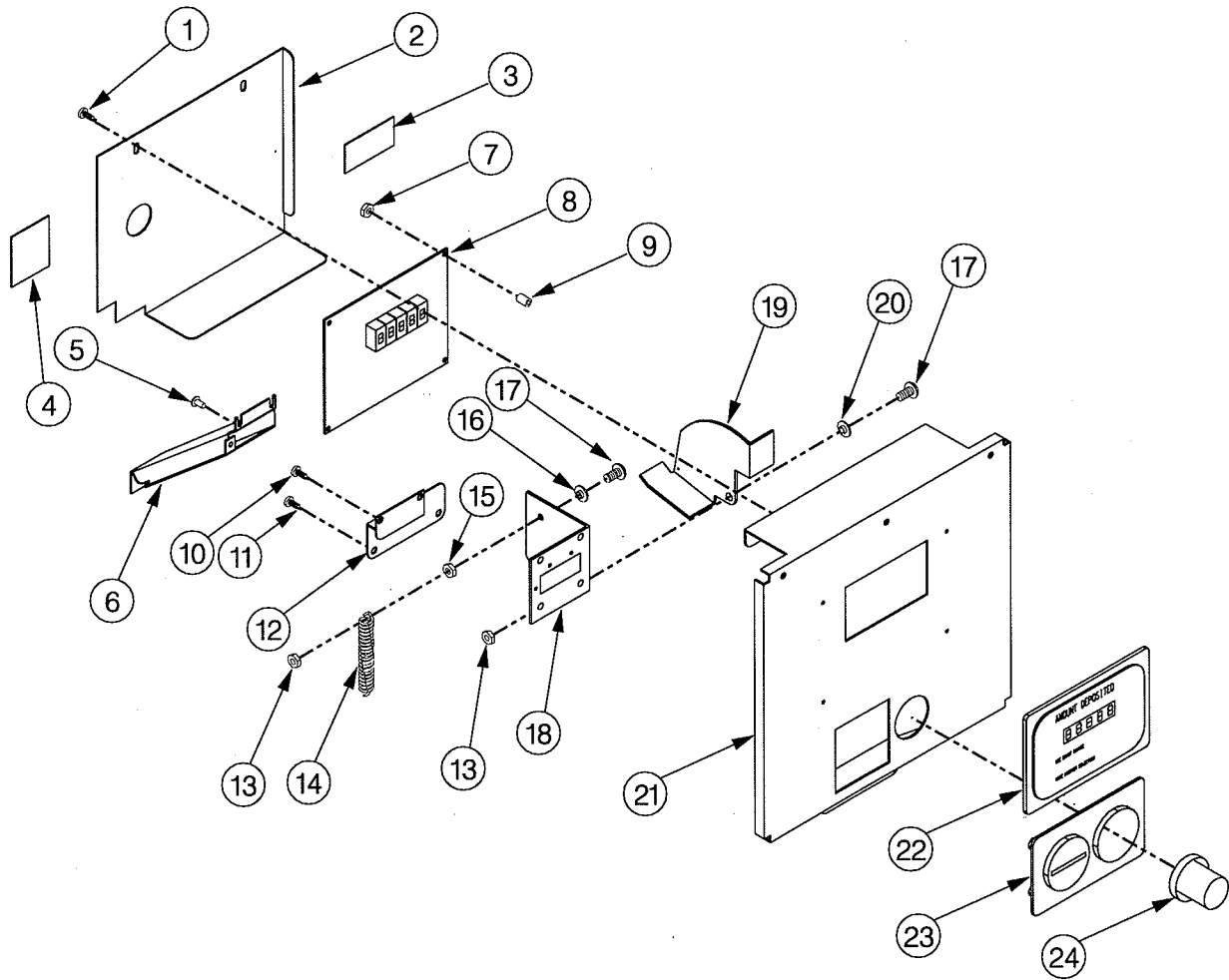
# DOOR ASSEMBLY



## DOOR ASSEMBLY

| ITEM | PART NUMBER | QTY      | DESCRIPTION  |
|------|-------------|----------|--|
| 1    | 4202255     | 5.66 ft. | GASKET - 1/4 X 3/4 W/ADHESIVE                          |
| 2    | 1212892     | 1        | DOOR WELD  |
| 3    | 4207282     | 1        | DECAL, INSTRUCTIONS (NOT SHOWN)                        |
| 4    | 4207412     | 8.9 ft.  | DOOR GASKET W/ADHESIVE                                 |
| 5    | 4202994     | 2        | BUMPER   |
| 6    | 4206692     | 1        | OUTER BEZEL  |
| 7    | 4202927-XXX | 1        | "T" HANDLE LATCH (Specify Color when ordering)         |
| 8    | 8356103-003 | 2        | #10-24 X 1/2 CARRIAGE BOLT                             |
| 9    | 8800957     | 2        | #10-24 HEX NUT W/ETW                                   |
| 10   | 4206456     | 1        | OUTER DELIVERY BEZEL                                   |
| 11   | 8800636     | 6        | #8-18 X 1/2 PHIL PH TYPE-B                             |
| 12   | 4203209     | 1        | COIN CUP BEZEL   |
| 13   | 4203208     | 1        | COIN CUP DOOR  |
| 14   | 4203207     | 1        | COIN CUP   |
| 15   | 4203477     | 4        | 1/4 NUT  |
| 16   | 4202908     | 1        | INNER DOOR LIFT  |
| 17   | 4050180     | 39       | #8-18 X 1/2 PHIL PH TEK                                |
| 18   | 4207413     | 1        | DOOR HARNESS   |
| 19   | 4060134     | 5        | PLASTIC WIRE CLAMP 1"                                  |
| 20   | 4202893     | 1        | COIN BOX BRACKET - TOP                                 |
| 21   | 1212009     | 1        | COIN BOX WELD - TALL                                   |
| 22   | 4205126     | 1        | COIN BOX BRACKET - BOTTOM                              |
| 23   | 1212847     | 1        | MECH DOOR ASSEMBLY (SEE PAGE #23)                      |
| 24   | 4203476     | 1        | MECH DOOR BRACKET - BOTTOM                             |
| 25   | 4203476-001 | 1        | MECH DOOR BRACKET - TOP                                |
| 26   | 8800829     | 4        | #10-24 X 3/8 PHIL TH W/ETW                             |
| 27   | 8800636     | 2        | #8-18 X 1/2 PHIL PH TYPE B                             |
| 28   | 4202774     | 1        | BALLAST  |
| 29   | 8800956     | 12       | #8-32 HEX NUT W/ETW                                    |
| 30   | 4205536-124 | 1        | VALIDATOR, BA32SA                                      |
| 31   | 4207281     | 1        | LABEL, \$1 - \$5 VALIDATOR                             |
| 32   | 4207426     | 1        | VALIDATOR HARNESS                                      |
| 33   | 4202872     | 1        | PLUG BRACKET, 15 PIN                                   |
| 34   | 4050420     | 10       | #8-18 X 1/4 PHIL HWH TEK                               |
| 35   |             | 1        | COIN INSERT/CONTROL BOARD ASSEMBLY (SEE PAGE #18 & 19) |
| 36   |             | 1        | PUSH BUTTON/SWITCH ASSEMBLY (SEE PAGE #22)             |
| 37   | 4206693     | 1        | INNER BEZEL  |
| 38   | 4206695     | 1        | BILL VALIDATOR PLATE                                   |
| 39   | 8800899     | 6        | #10-32 HEX NUT   |
| 40   | 8620139     | 2        | INNER DOOR HINGE                                       |
| 41   | 8800406     | 6        | #10-32 X 1/2 PHIL TH W/ETW                             |
| 42   | 1212980     | 1        | DISPLAY BRACKET WELD - TOP                             |
| 43   | 4206457-002 | 1        | GRAPHICS SIGN FACE                                     |
| 44   | 4207294     | 1        | LIGHT DIFFUSER STRIP                                   |
| 45   | 4207292     | 2        | PLASTIC HOLDER   |
| 46   | 4033505     | 4        | CLOSED END SPLICE END CAP                              |
| 47   | 4207471     | 1        | LAMP HARNESS   |
| 48   | 4060130     | 8        | PRESS CLIP 1/4"  |
| 49   | 4202881-001 | 2        | LAMPHOLDER - TOP                                       |
| 50   | 4202751     | 2        | LAMP - F64 T12/CW                                      |
| 51   | 4202881-002 | 2        | LAMPHOLDER - BOTTOM                                    |
| 52   | 1212981     | 1        | DISPLAY BRACKET WELD - BOTTOM                          |
| 53   | 4202917     | 2        | TIE BRACKET  |
| 54   | 4207316     | 1        | REFLECTOR  |
| 55   | 4203001     | 1        | SERVICE LABEL  |
| 56   | 4207470     | 1        | DOOR POWER HARNESS                                     |
| 57   | 4033712     | 6        | CABLE TIE 7 3/8" (NOT SHOWN)                           |
| 58   | 1214160     | 1        | DELIVERY ASSEMBLY (SEE PAGE #20 & 21)                  |
| 59   | 4207547     | 1        | COVER, DOOR BOTTOM                                     |

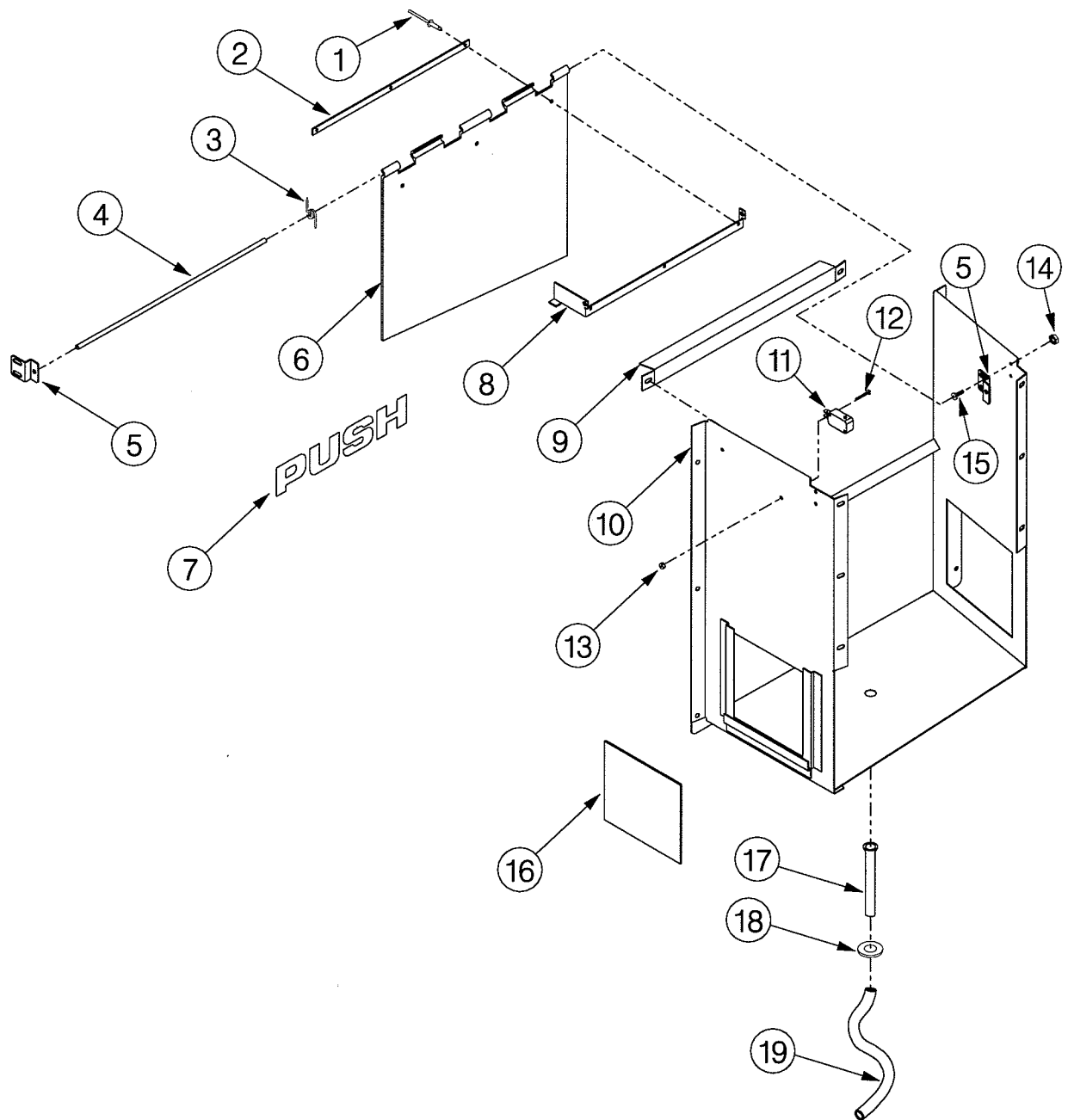
# COIN INSERT/CONTROL BOARD ASSEMBLY



**COIN INSERT/CONTROL BOARD ASSEMBLY**

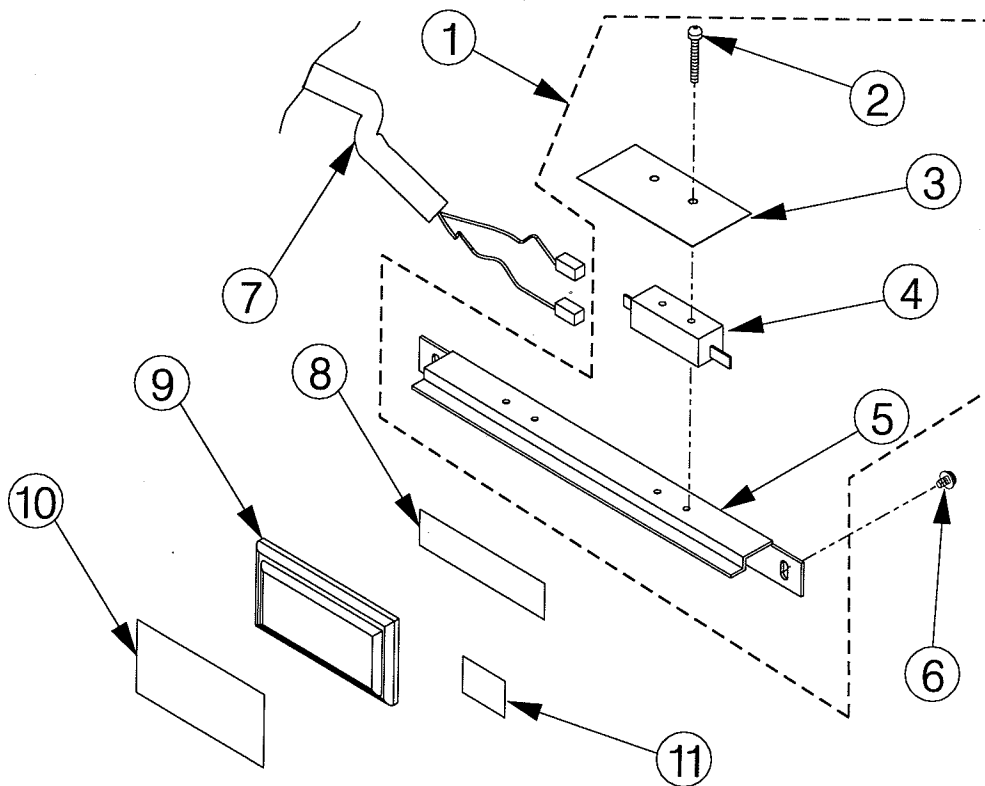
| ITEM | PART NUMBER | QTY | DESCRIPTION                 |
|------|-------------|-----|-----------------------------|
| 1    | 4050420     | 2   | #8-18 X 1/4 PHIL HWH        |
| 2    | 4207145     | 1   | CONTROL BOARD COVER         |
| 3    | 4202995     | 1   | LABEL, SERVICE MODE         |
| 4    | 4202970     | 1   | LABEL, COLD CONTROL         |
| 5    | 7200468-005 | 3   | #6-18 X 1/4 PHIL TH TYPE A  |
| 6    | 1212880     | 1   | COIN CHUTE WELD             |
| 7    | 8800954     | 4   | 4-40 HEX NUT W/ETW          |
| 8    | 4203711-003 | 1   | CD-16 CONTROL BOARD         |
| 9    | 4206767     | 4   | STAND-OFF                   |
| 10   | 4050423     | 3   | #8-18 X 3/8 PHIL PH TYPE-AB |
| 11   | 4050420     | 2   | #8-18 X 1/4 PHIL HWH        |
| 12   | 4207005     | 1   | READOUT BRACE               |
| 13   | 4050511     | 2   | #8-32 NUT, TWO WAY LOCK     |
| 14   | 4021015     | 1   | SPRING EXT 2-30 COILS       |
| 15   | 4050513     | 1   | #8-32 TWIN WHIZ LOCK NUT    |
| 16   | 4030053     | 1   | SHOULDER BUSHING            |
| 17   | 4050262     | 2   | #8-32 X 3/4 PHIL PH MS      |
| 18   | 4206581     | 1   | COIN RETURN LEVER BRACKET   |
| 19   | 4206582     | 1   | COIN RETURN LEVER           |
| 20   | 4030100     | 1   | BUSHING, SPACER             |
| 21   | 4207137     | 1   | READOUT WINDOW WELD         |
| 22   | 4202841-001 | 1   | READOUT WINDOW              |
| 23   | 4203186-028 | 1   | COIN INSERT                 |
| 24   | 4203187     | 1   | COIN RETURN BUTTON          |

# DELIVERY ASSEMBLY



| <b>DELIVERY ASSEMBLY</b> |                    |            |                             |
|--------------------------|--------------------|------------|-----------------------------|
| <b>ITEM</b>              | <b>PART NUMBER</b> | <b>QTY</b> | <b>DESCRIPTION</b>          |
|                          | 1214160            | 1          | DELIVERY ASSEMBLY           |
| 1                        | 4207009            | 3          | POP RIVET, 1/4 - 3/8 X 5/32 |
| 2                        | 4206900            | 1          | DELIVERY DOOR RETAINER      |
| 3                        | 8360470            | 4          | SPRING, .25 X 3/4           |
| 4                        | 4206727-001        | 1          | ROD, BI-FOLD DOOR HINGE     |
| 5                        | 4206576            | 2          | PLATE, HINGE ADJUSTER       |
| 6                        | 4207194            | 1          | OUTER DELIVERY DOOR         |
| 7                        | 4206738            | 1          | DECAL, PUSH                 |
| 8                        | 4207345            | 1          | DELIVERY DOOR BRACKET       |
| 9                        | 4207328            | 1          | DELIVERY TOP                |
| 10                       | 1212895            | 1          | DELIVERY CHUTE WELD         |
| 11                       | 4033914            | 1          | STACK SWITCH                |
| 12                       | 8801332            | 2          | #4-40 X 3/4 PHIL PH TAPTITE |
| 13                       | 8800954            | 2          | #4-40 HEX NUT W/ETW         |
| 14                       | 8800955            | 4          | #6-32 HEX NUT W/ETW         |
| 15                       | 8800060            | 4          | #6-32 X 3/8 PHIL PH MS      |
| 16                       | 4207295            | 2          | DELIVERY DIFFUSER PANEL     |
| 17                       | 4201887            | 1          | SNAP-IN DRAIN TUBE          |
| 18                       | 4202284            | 1          | .5 DIA PUSH NUT             |
| 19                       | 4025409            | .5 ft.     | TUBING, MAYON, 3/8 I.D.     |

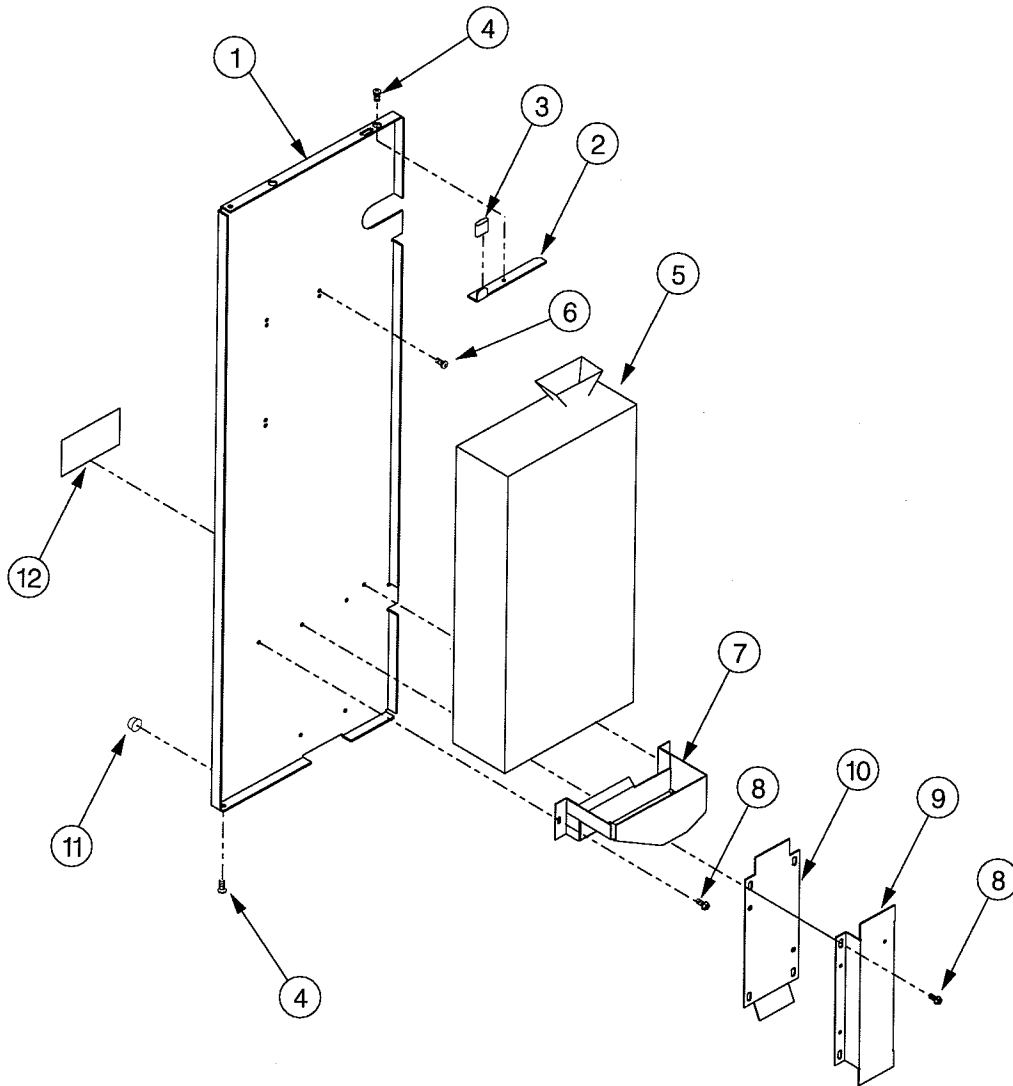
## PUSH BUTTON & SELECTION ASSEMBLY



| ITEM | PART NUMBER | QTY     | DESCRIPTION                      |
|------|-------------|---------|----------------------------------|
| 1    | 1212059     | 3       | SWITCH BRACKET ASSEMBLY          |
| 2    | 8801390     | 4       | #6-32 X 1 PHIL PH TAPTITE        |
| 3    | 4203324     | 2       | SWITCH SPRING                    |
| 4    | 4203325     | 2       | SWITCH                           |
| 5    | 4203293     | 1       | SWITCH BRACKET                   |
| 6    | 4050420     | 6       | #8-18 X 1/4 PHIL HWH TEK         |
| 7    | 4207414     | 1       | SELECTION HARNESS                |
| 8    | 4202255     | 1.5 ft. | 1/4 X 3/4 GASKET W/ADHESIVE      |
| 9    | 1211441     | 6       | PUSH BUTTON ASSEMBLY             |
| 10   | 4203326-XXX | A/R     | SELECTION TABS (CONTACT VENDNET) |
| 11   | 8620438     | 1       | LABEL - DOUBLE DIGIT #S          |

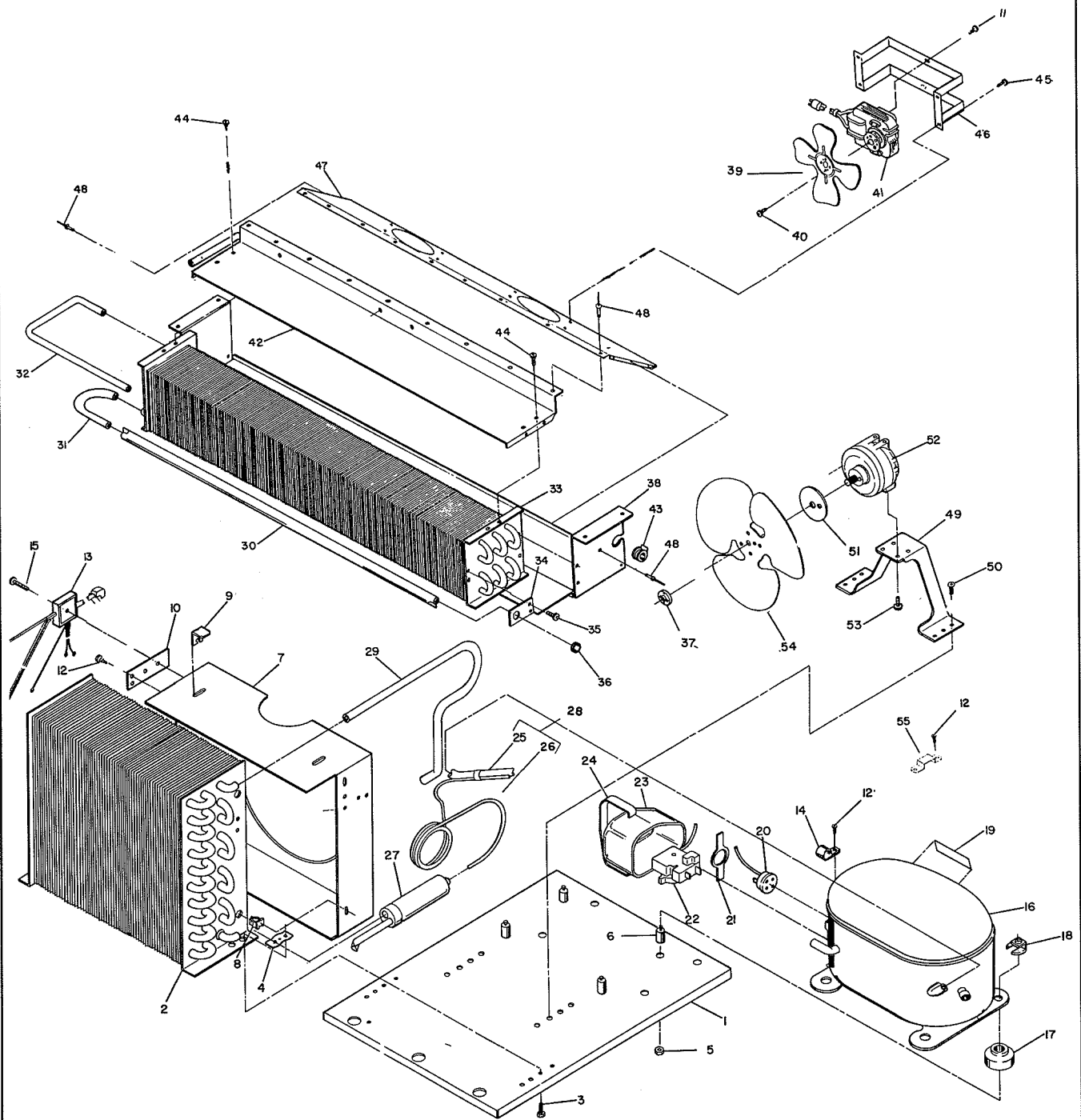


## MECH DOOR ASSEMBLY



| ITEM | PART NUMBER | QTY | DESCRIPTION                            |
|------|-------------|-----|--|
|      | 1212847     | 1   | MECH DOOR ASSEMBLY                     |
| 1    | 4206657-XXX | 1   | MECH DOOR (Specify Color)              |
| 2    | 4202897     | 1   | MECH DOOR LATCH                        |
| 3    | 8620828     | 1   | 4 PIN COVER                            |
| 4    | 8800636     | 3   | #8-18 X 1/2 PHIL PH TYPE B             |
| 5    | 4200419     | 1   | COIN MECHANISM - COINCO                |
|      | 4202942     | 1   | COIN MECH HARNESS - COINCO (NOT SHOWN) |
| 6    | 8800498     | 3   | #8-18 X 3/8 PHIL PH TYPE B             |
| 7    | 1212812     | 1   | COIN RETURN WELD                       |
| 8    | 4050420     | 6   | #8-18 X 1/4 PHIL HWH SCREW             |
| 9    | 4202901     | 1   | COIN KICKER                            |
| 10   | 4202888     | 1   | COIN BOX TUBE                          |
| 11   | 4202994     | 2   | BUMPER                                 |
| 12   | 8620711     | 1   | POWER SWITCH WARNING LABEL             |

# REFRIGERATION CHASSIS ASSEMBLY



## REFRIGERATION CHASSIS ASSEMBLY

| ITEM | PART NO.    | QTY | DESCRIPTION                                  |
|------|-------------|-----|--|
|      | 1214133     | 1   | REFRIGERATION SYSTEM - 1/3 HP, 115V - R-134a |
| 1    | 8343839     | 1   | BASE PLATE                                   |
| 2    | 7332338-000 | 1   | CONDENSER COIL -1/3 HP                       |
| 3    | 7332393-000 | 4   | #1/4-20 X 3/8 SLTD HH MS                     |
| 4    | 8916923     | 2   | 1/4-20 TWIN SPRING NUT                       |
| 5    | 8800949     | 4   | 3/8-16 HEX NUT W/ETW                         |
| 6    | 8343872     | 4   | MOUNTING STUD                                |
| 7    | 7332405-000 | 1   | SHROUD - CONDENSER FAN                       |
| 8    | 4205214     | 4   | CHRISTMAS TREE CLIP                          |
| 9    | 8336640     | 2   | RETAINING CLIP                               |
| 10   | 7332413-000 | 1   | HARNESS MOUNTING BRACKET                     |
| 11   | 8800679     | 4   | #10-32 X 5/16 PHIL PH W/ETW                  |
| 12   | 8800638     | 5   | #10-16 X 3/8 PHIL PH TYPE B                  |
| 13   | 7332502-001 | 1   | SERVICE HARNESS                              |
| 14   | 7332446-000 | 1   | CLAMP - SUCTION LINE                         |
| 15   | 7332392-000 | 1   | #8 x 1 1/2 PHIL PH SMS                       |
| 16   | 4203790     | 1   | COMPRESSOR - 1/3 HP - R-134a                 |
| 17   | 8323090-1   | 4   | COMPRESSOR GROMMET                           |
| 18   | 8343874     | 4   | CLIP - COMPRESSOR MOUNTING                   |
| 19   | 7332492-000 | 1   | WARNING DECAL                                |
| 20   | 8045052-27  | 1   | OVERLOAD PROTECTOR                           |
| 21   | 8344305     | 1   | SPRING - OVERLOAD                            |
| 22   | 8333894-15  | 1   | STARTING RELAY                               |
| 23   | 8344308     | 1   | COVER - TERMINAL                             |
| 24   | 8344306     | 1   | BALE STRAP                                   |
| 25   | 8801181-004 | 2   | SUCTION LINE                                 |
| 26   | 8902701-2   | 1   | CAPILLARY TUBE                               |
| 27   | 4205468     | 1   | DRIER, BONDED CORE                           |
| 28   | 1102406     | 1   | SUCTION LINE ASSY                            |
| 29   | 7332437-000 | 1   | DISCHARGE TUBE                               |
| 30   | 7332073-000 | 1   | ACCUMULATOR                                  |
| 31   | 7332422-000 | 1   | CONNECTING TUBE- ACCUMULATOR                 |
| 32   | 7332423-000 | 1   | CONNECTING TUBE - CAPILLARY                  |
| 33   | 7332400-000 | 1   | COIL - EVAPORATOR                            |
| 34   | 7332384-000 | 1   | BRACKET - ACCUMULATOR TUBE SUPPORT           |
| 35   | 8801204     | 2   | #10-16 X 3/8 PHIL TH W/ETW                   |
| 36   | 4034157     | 1   | GROMMET - SPLIT 1/2                          |
| 37   | 7186097-000 | 1   | 1/4-20 SPRING NUT                            |
| 38   | 4205529     | 1   | EVAPORATOR BAFFLE                            |
| 39   | 4205768-001 | 2   | FAN BLADE                                    |
| 40   | 8800679     | 2   | #10-32 X 5/16 PHIL PH W/ETW                  |
| 41   | 4206461     | 2   | FAN MOTOR                                    |
| 42   | 7332357-000 | 1   | TOP BAFFLE EVAPORATOR                        |
| 43   | 4033683     | 1   | BUSHING - STRAIN RELIEF                      |
| 44   | 8800638     | 4   | #10-16 X 3/8 PHIL PH TYPE B                  |
| 45   | 8810030     | 8   | #8-18 X 1/2 SERRATED HD TEK                  |
| 46   | 7330391-000 | 2   | MOTOR MOUNT                                  |
| 47   | 7332351-000 | 1   | EVAPORATOR FAN SHROUD                        |
| 48   | 4050663     | 19  | POP RIVET                                    |
| 49   | 8358154-001 | 1   | BRACKET - CONDENSER FAN SUPPORT              |
| 50   | 8800721     | 2   | 1/4-20 X 1/2 HH LW TYPE D                    |
| 51   | 7187394-000 | 1   | CONDENSER FAN SILENCER                       |
| 52   | 7332418-000 | 1   | MOTOR - CONDENSER FAN, 5 WATT                |
| 53   | 7186154-000 | 4   | #8-36 X 3/8 PHIL PH MS                       |
| 54   | 7332420-000 | 1   | FAN BLADE , 8 3/4 X 26°                      |
| 55   | 4206108     | 1   | BRACKET - STRAIN RELIEF                      |



C 114