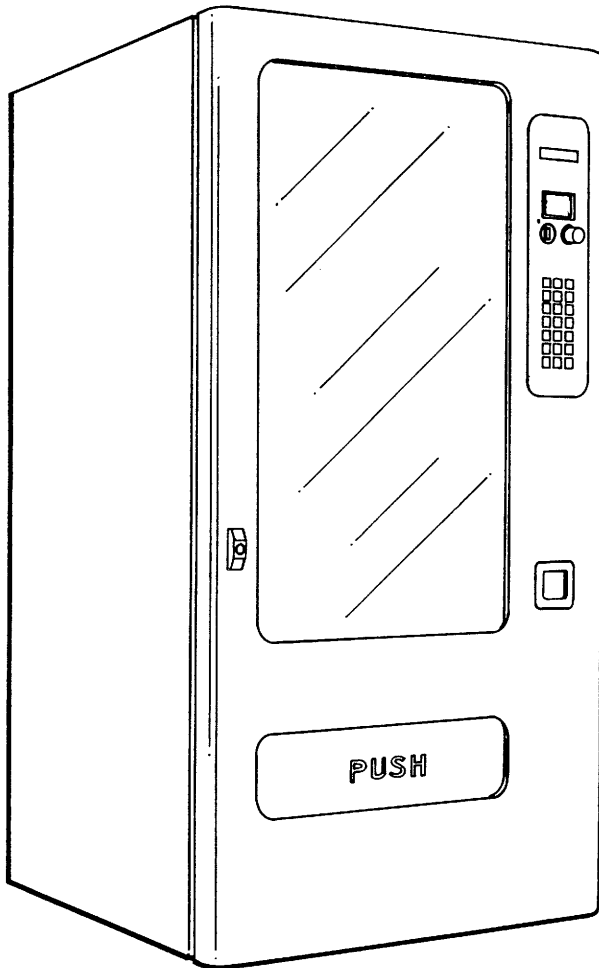




“HORIZON”

GLASS FRONT SNACK VENDOR

MODEL: 3085



PARTS MANUAL

FILE COPY

GENERAL INFORMATION:

Welcome to VendNet, Inc., we offer you three convenient ways to order replacement parts. If you have any questions when placing your order, please call and we'll be happy to assist you. Please provide the following information when placing your order:

Quantity Required
Part Number
Shipping and Billing Address
Description
Preferred Method of Shipment
Vendor Model Number
Customer Account Number
Serial Number

- MINIMUM ORDER \$25.00. You may wish to inquire on prices of parts at the time of your order. If you order less than the minimum, please check our catalog for other parts you may require to bring your order up to the \$25.00 minimum order.
- OPEN ACCOUNT with approved credit.
- MASTER CARD - VISA - C.O.D.

If you have any questions, please call and we will be happy to assist you.

TO ORDER BY MAIL:

You may place your requirements for replacement parts by providing the necessary information as requested above, and mailing your order to:

VendNet, Inc.
P.O. Box 488
165 North 10th Street
Waukee, Iowa 50263-0488

If you have any questions, call **(800-833-4411)**, ask for VendNet Parts and we will be happy to assist you. Order forms are available upon request from VendNet, Inc. Or you may use your own purchase order form.

TO ORDER BY FAX MACHINE: **(515) 987-4447**

You may Fax your order for replacement parts by providing the necessary information as requested above to VendNet, Inc.

TO ORDER BY E-MAIL

You may "E-Mail your order for replacement parts by providing the necessary information as requested above to VendNet at the following address:

VENDNET@NETINS.NET

TO ORDER BY PHONE:

In United States: (800-833-4411)
In Canada: (800-858-4730)
All Others: (515-274-3641)

You may call in your order for replacement parts. Ask for VendNet Parts Department. Please provide the necessary information, as requested above, to allow us to provide you with prompt courteous service.

If you have any questions, so indicate and we will be happy to assist you.

RETURNS:

RESTOCKING CHARGE 20%. A restocking charge of 20% will apply to merchandise accepted by VendNet for return, except items processed as warranty.

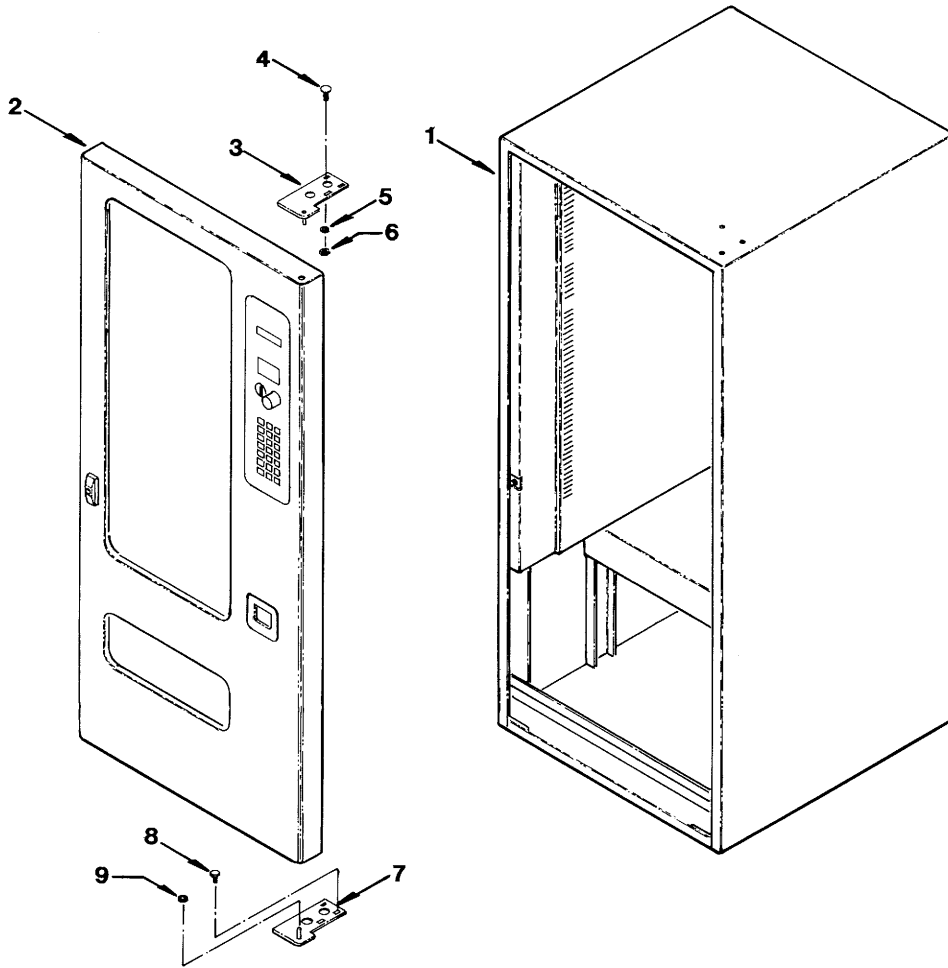
All items returned must be accompanied by a "material return tag" clearly stating the reason for return. Returns are to be shipped freight prepaid to VendNet, Inc., 165 North 10th Street, Waukee, Iowa 50263-0488. (Return tags are available upon request from VendNet.)

If you have any questions regarding returns, please call VendNet, Inc. (800-833-4411), we will be happy to assist you.

LIMITATION OF LIABILITY:

VendNet, Inc. Shall not be liable for any injury, loss or damage, whether direct, incidental or consequential arising out of the use of or the inability to use any part, parts or products sold by VendNet, Inc. The remedies of the buyer set forth herein are exclusive, and the liability of VendNet, Inc. With respect to any contract or sale or anything done in connection herewith, whether in connection therewith, whether in contract, in tort, under any warranty, or otherwise, shall not, except as expressly provided herein, exceed the price of the part, parts or products on which such liability is based. Any statements or representations about the parts or product, other than those contained herein, do not constitute warranties and shall not be relied on by the buyer and shall have no force of effect unless contained in a written agreement signed by officers of VendNet.

UNIT FINAL ASSEMBLY



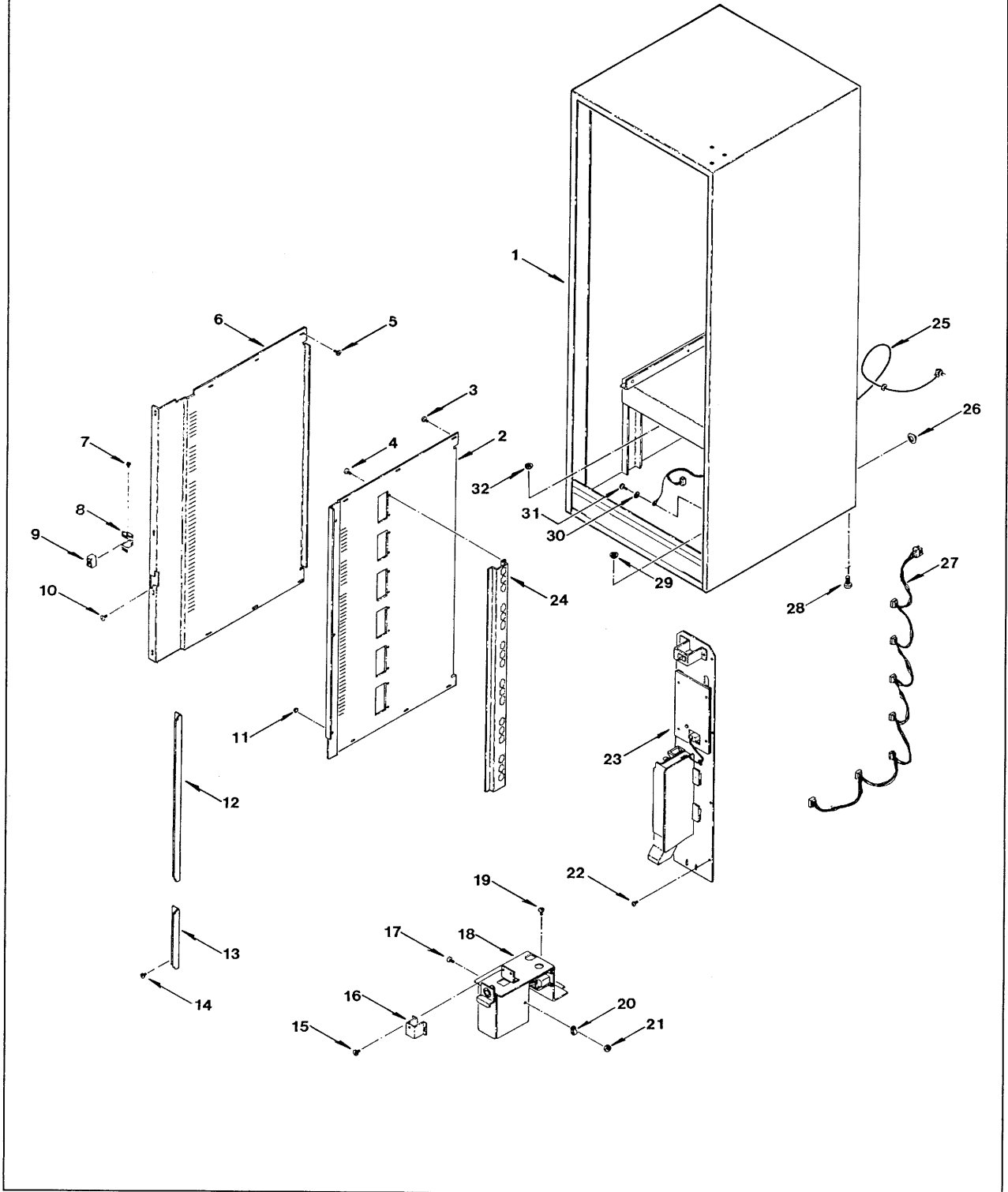
ITEM	PART NUMBER	QTY	DESCRIPTION
1	1214157	1	COMPLETE CABINET ASSEMBLY (See Pages 5 & 6)
2	1214158	1	COMPLETE DOOR ASSEMBLY (See Pages 7 & 8)
3	1212060-006	1	UPPER HINGE PLATE
4	4050099	3	5/16-18 X 3/4 CARRIAGE BOLT
5	7186148-000	3	5/16 LOCK WASHER
6	4050066	3	5/16-18 HEX NUT
7	1212060-005	1	LOWER HINGE PLATE
8	8801388	3	5/16-18 X 3/4 HWH TYPE D BOLT
9	4050767	1	3/8" NYLON WASHER
10	4206458	1	DECAL - HORIZON - BLACK (Not Shown)
	4206458-001	1	DECAL - HORIZON - SILVER (Not Shown)

TRAY FINAL ASSEMBLY

ITEM	PART NUMBER	QTY.	DESCRIPTION
	1212048-301	1	TRAY ASSY. 12 SELECT - SNACK
	1212048-302	2	TRAY ASSY. 12 SELECT - MEDIUM SNACK
	1212048-303	1	TRAY ASSY. 18 SELECT - CANDY
	1212048-323	1	TRAY ASSY. 18 SELECT - CANDY W/SPLIT HELIX
1	4203275	1	PRODUCT TRAY
2	4060670-004	2	TRAY ROLLER
3	4203509	1	CABLE TIE WRAP
4	4203468	1	SNAP-IN CLIP
5	4203508-003	1	TRAY HARNESS
6	4203277-003	1	MOTOR COVER
7	4034388	A/R	MOTOR - 24 VDC
8	4025748	A/R	PRODUCT PUSHER
9	4200272-008	A/R	LARGE SNACK HELIX - 12 COUNT
9	4200272-004	A/R	MEDIUM SNACK HELIX - 12 COUNT
10	4202015	A/R	AUGER COUPLING
11	4200272-001	A/R	CANDY HELIX - 18 COUNT
12	4202627	A/R	MOTOR - SPLIT HELIX - 24 VDC
13	4200164-000	A/R	#8-32 X 1 ¼ SHOULDER SCREW
14	4202625-001	A/R	HELIX TUBE
15	4202624-001	A/R	GUM/MINT SPACER STRIP
16	4203101	A/R	END CAP
17	4202313-007	A/R	GUM/MINT SPLIT HELIX - 40 COUNT
18	4025797	A/R	PRODUCT DIVIDER
19	4200340	A/R	HELIX RETAINER
20	8370660-5	A/R	PRODUCT SPACER
21	8370998	A/R	SPACER SUPPORT
22	4200281	A/R	SPRING CLIP
23	1200321-002	1	TRAY RAIL - LEFT SIDE
24	1200321-003	1	TRAY RAIL - RIGHT SIDE
25	4203341	A/R	PRICE SCROLL
26	4203229-003	A/R	LABEL HOLDER
	4205749	23	BUMPER (Not Shown) Secures Price Scroll in place
27	4203707-XXX	A/R	SELECTION IDENTIFICATION LABEL (Specify selection)

A/R = As Required

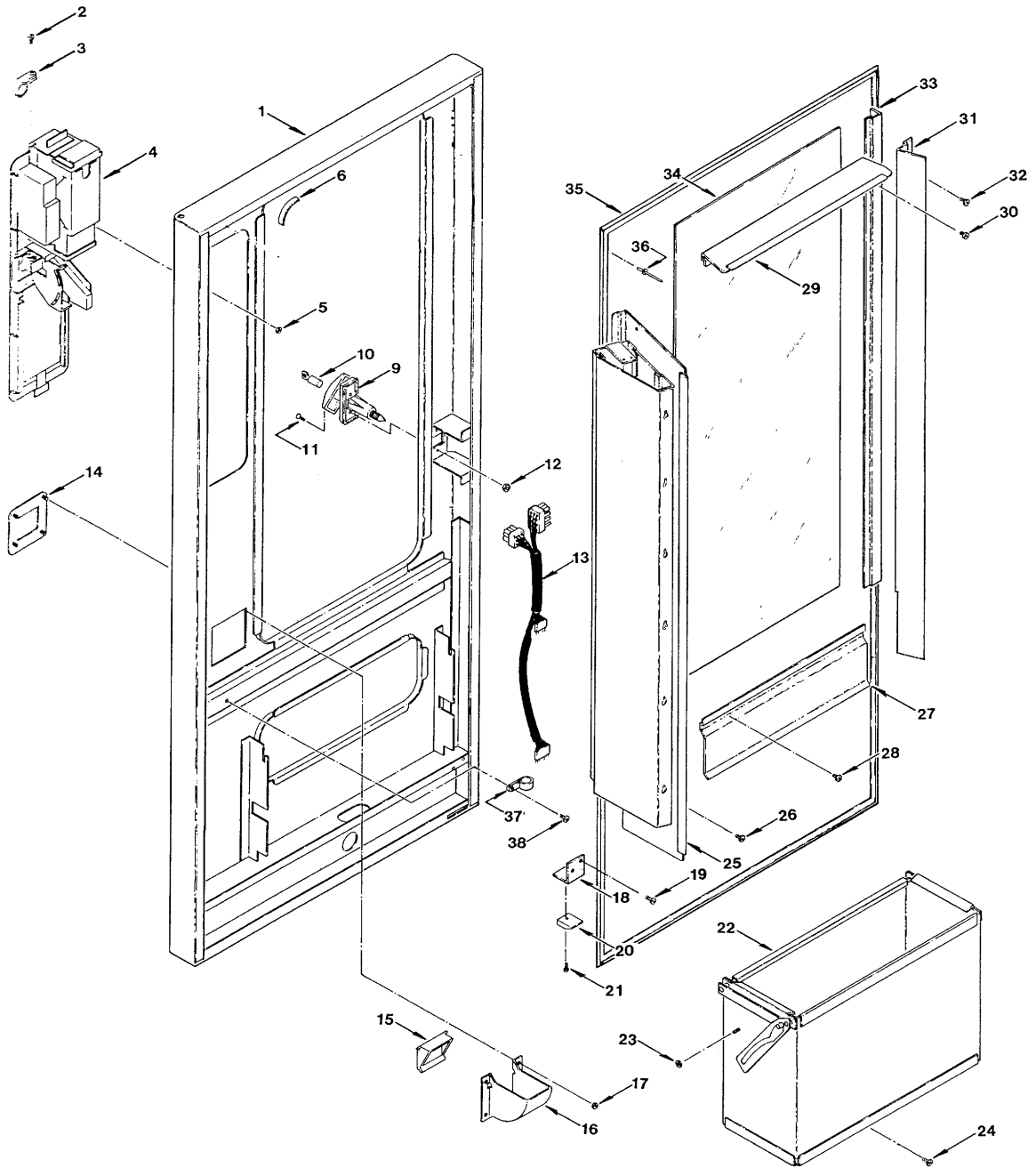
COMPLETE CABINET ASSEMBLY



COMPLETE CABINET ASSEMBLY

ITEM	PART NO.	QTY	DESCRIPTION
	1214157	1	COMPLETE CABINET ASSEMBLY
1	1211432-XXX	1	CABINET WELD ASSEMBLY (Specify Color)
2	4203135-002	1	RIGHT SIDE PANEL
3	4050423	8	#8-18 X 3/8 PHIL PAN HD TYPE AB SCREW
4	4050423	4	#8-18 X 3/8 PHIL PAN HD TYPE AB SCREW
5	4050423	11	#8-18 X 3/8 PHIL PAN HD TYPE AB SCREW
6	1212109-002	1	LEFT SIDE PANEL WELD ASSEMBLY
7	8800638	2	#10-16 X 3/8 PHIL PAN HD TYPE B SCREW
8	4203255	1	DOOR LOCK NUT BRACKET
9	4203634	1	DOOR LOCK NUT
10	4050423	2	#8-18 X 3/8 PHIL PAN HD TYPE AB SCREW
11	7250135-001	3	1/2" HOLE PLUG
12	4203645-001	1	UPPER ANTI-CHEAT
13	4203645	1	LOWER ANTI-CHEAT
14	4050423	6	#8-18 X 3/8 PHIL PAN HD TYPE AB SCREW
15	4050423	2	#8-18 X 3/8 PHIL PAN HD TYPE AB SCREW
16	4203199	1	COIN BOX CHUTE
17	4050240	1	#8-32 X 3/8 PHIL PAN HD M/SCREW
18	1212052-001	1	COIN BOX POWER SUPPLY ASSY (See Page 15)
19	4050423	1	#8-18 X 3/8 PHIL PAN HD TYPE AB SCREW
20	4060116	1	HARNESS CLAMP
21	4050513	1	#8-32 WHIZ LOCK NUT
22	4050423	6	#8-18 X 3/8 PHIL PAN HD TYPE AB SCREW
23	1212045-007	1	CONTROL PANEL ASSY. (See Pages 11 & 12)
24	4203143	1	TRAY HARNESS RECEPTACLE CHANNEL
25	4203520	1	POWER CORD ASSEMBLY
26	7250135-007	1	2 1/4" HOLE PLUG
27	4203616	1	MAIN HARNESS
28	4060310	4	LEG LEVELER 1/2-13 X 1 13/32
29	7250135-003	8	3/4" HOLE PLUG
30	4050585	1	#8 EXTERNAL TOOTH LOCKWASHER
31	4050423	1	#8-18 X 3/8 PHIL PAN HD TYPE AB SCREW
32	7250135-000	2	1 3/8" HOLE PLUG

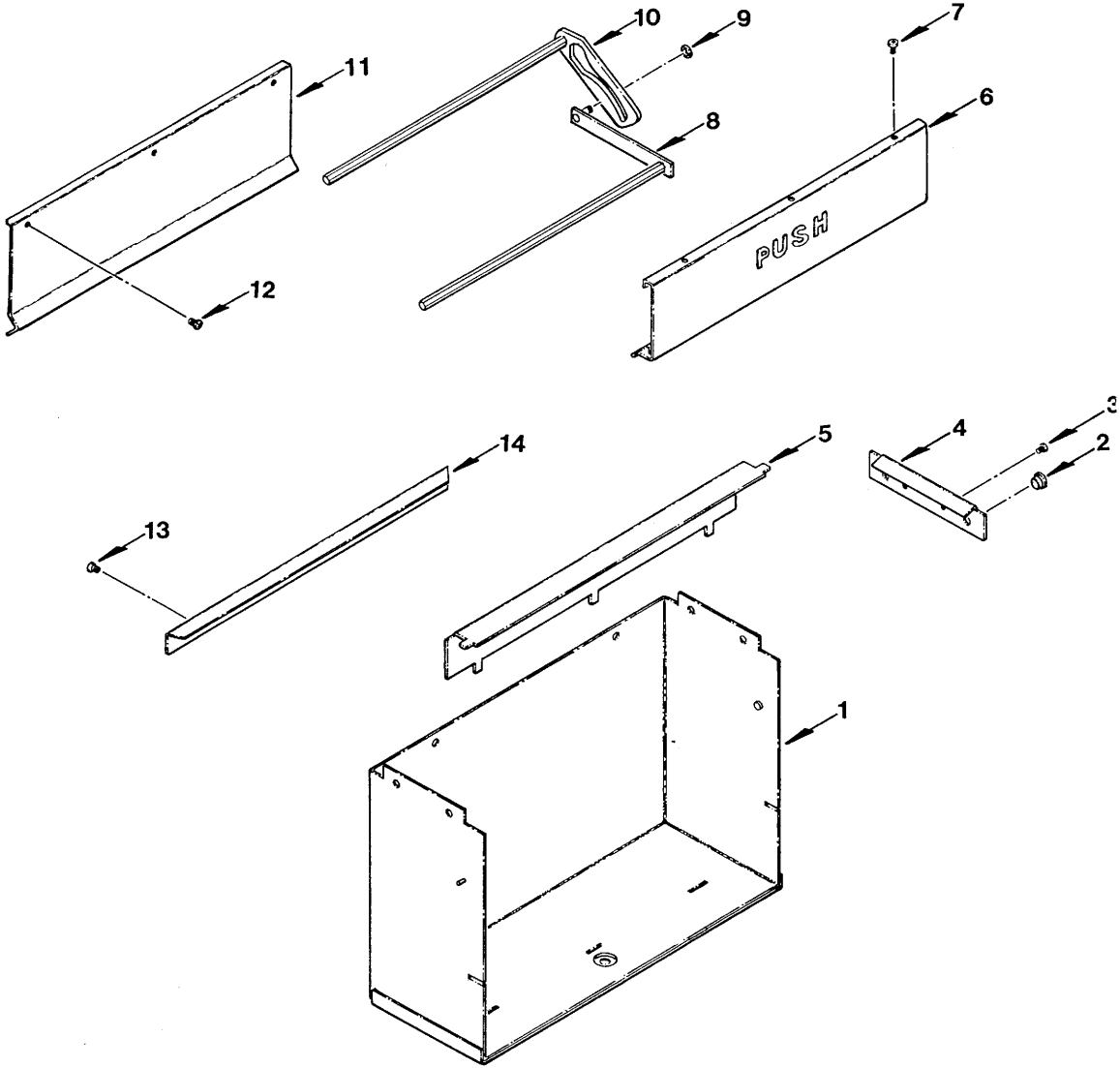
COMPLETE DOOR ASSEMBLY



COMPLETE DOOR ASSEMBLY

ITEM	PART NUMBER	QTY	DESCRIPTION
	1214158	1	COMPLETE DOOR ASSEMBLY
1	1212026-XXX	1	DOOR WELD (Specify Color)
2	4050423	1	#8-18 X 3/8 PHIL PAN HD TYPE AB SCREW
3	8324099-6	1	PLASTIC HARNESS CLAMP
4	1214166-002	1	SELECTOR PANEL ASSEMBLY (See Pages 13 & 14)
5	4050513	8	#8-32 WHIZ LOCK NUT
6	4203263	8	CORNER GASKET
9	4203486	1	¼ TURN HANDLE
10	4060330	1	LOCK CYLINDER W/2 KEYS
11	4050338	2	#10-32 X ½" FLAT HD PHIL M/SCREW
12	4050495	2	#10-32 WHIZ LOCK NUT
13	4203618	1	DOOR HARNESS
14	4203209	1	COIN CUP BEZEL
15	4203208	1	COIN CUP DOOR
16	4203207	1	COIN CUP
17	4050747	4	¼" STAMPED HEX NUT
18	4203387	1	DOOR GLIDE BRACKET
19	4050423	2	#8-18 X 3/8 PHIL PAN HD TYPE AB SCREW
20	4025610	1	DOOR GLIDE
21	4050423	1	#8-18 X 3/8 PHIL PAN HD TYPE AB SCREW
22	1212040-006	1	DELIVERY BOX ASSEMBLY (See Pages 9 & 10)
23	4050513	2	#8-32 WHIZ LOCK NUT
24	4050423	1	#8-18 X 3/8 PHIL PAN HD TYPE AB SCREW
25	1212034	1	COMPLETE DISPLAY LIGHT ASSEMBLY (See Page 16)
26	4050423	4	#8-18 X 3/8 PHIL PAN HD TYPE AB SCREW
27	4203484-007	1	PRODUCT DEFLECTOR
28	4050423	3	#8-18 X 3/8 PHIL PAN HD TYPE AB SCREW
29	4203479-007	1	TOP ANTI-CHEAT
30	4050423	4	#8-18 X 3/8 PHIL PAN HD TYPE AB SCREW
31	4203485-002	1	LEFT PRODUCT DEFLECTOR
32	4050423	4	#8-18 X 3/8 PHIL PAN HD TYPE AB SCREW
33	4203566-003	2	DISPLAY WINDOW RETAINER
34	4203478-006	1	DISPLAY WINDOW
	4202039-006	1	WINDOW GASKET (Not Shown)
35	4203466-003	1	GASKET
36	7201418-006	31	RIVET
37	4060116	1	3/8" HARNESS CLAMP
38	4050423	1	#8-18 X 3/8 PHIL PAN HD TYPE AB SCREW
	4206458	1	DECAL - HORIZON BLACK (Not Shown)
	4206458-001	1	DECAL - HORIZON - SILVER (Not Shown)

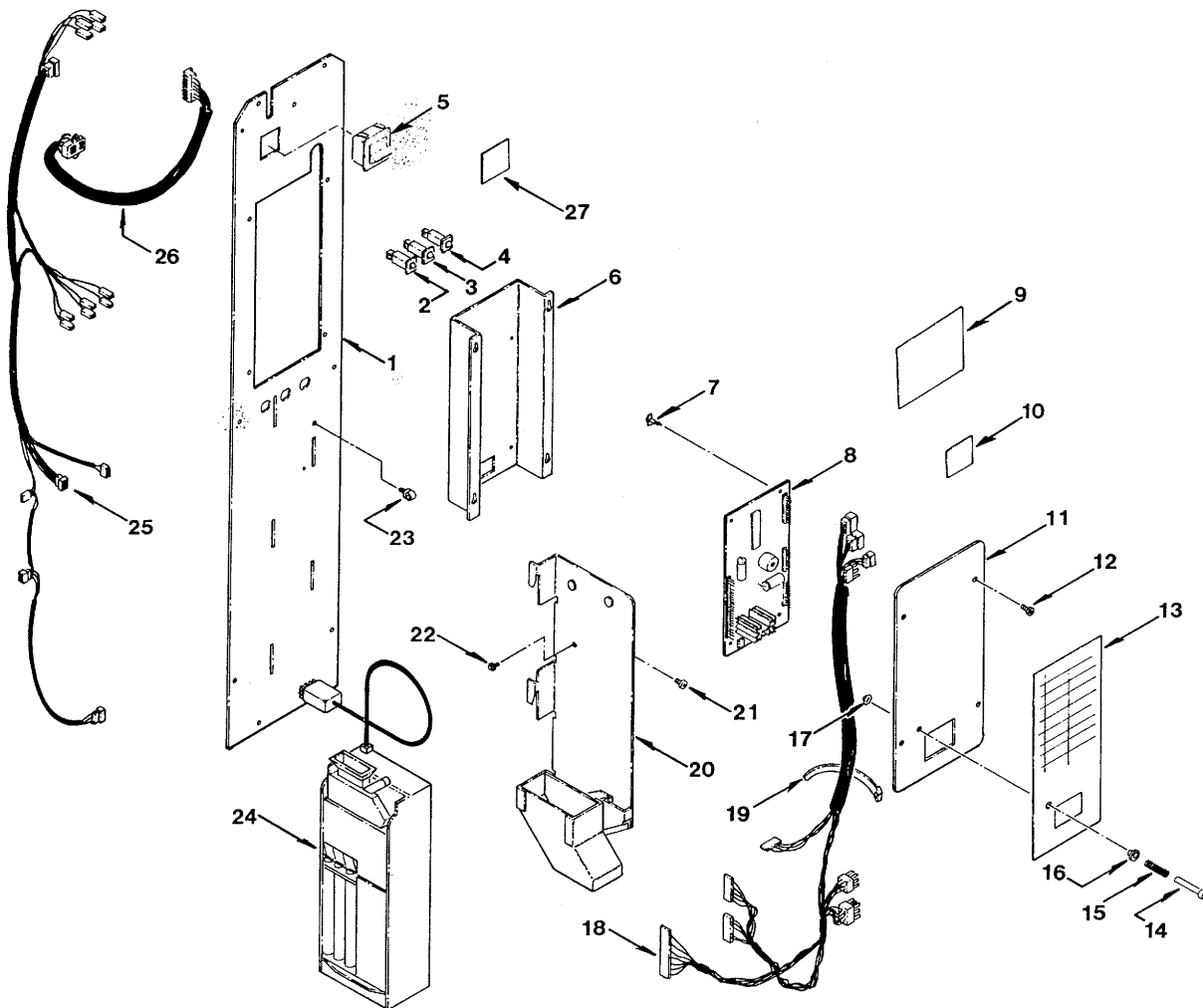
COMPLETE DELIVERY ASSEMBLY



DELIVERY ASSEMBLY

ITEM	PART NUMBER	QTY	DESCRIPTION
	1212040-006	1	COMPLETE DELIVERY ASSEMBLY
1	1212037-003	1	DELIVERY WELD ASSEMBLY
2	4025263	4	SNAP-IN-NYLINERTYPE 7
3	4050423	4	#8-18 X 3/8 PHIL PAN HD TYPE AB SCREW
4	4203379	2	DELIVERY MOUNT BRACKET
5	4203377-003	1	DELIVERY FALSE BOX
6	1212041-003	1	DELIVERY DOOR WELD
7	4050239	3	#8-32 X 3/8 PHIL PH TYPE T
8	1212038-003	1	FOLLOWER WELD
9	8801080	1	"E" RING - 5/16"
10	1212039-003	1	CAM ROD WELD
11	4203373-003	1	DELIVERY ANTI-CHEAT
12	4050239	3	#8-32 X 3/8 PHIL PH TYPE T
13	4050423	2	#8-18 X 3/8 PHIL PAN HD TYPE AB SCREW
14	4203436-003	1	REAR DELIVERY DEFLECTOR

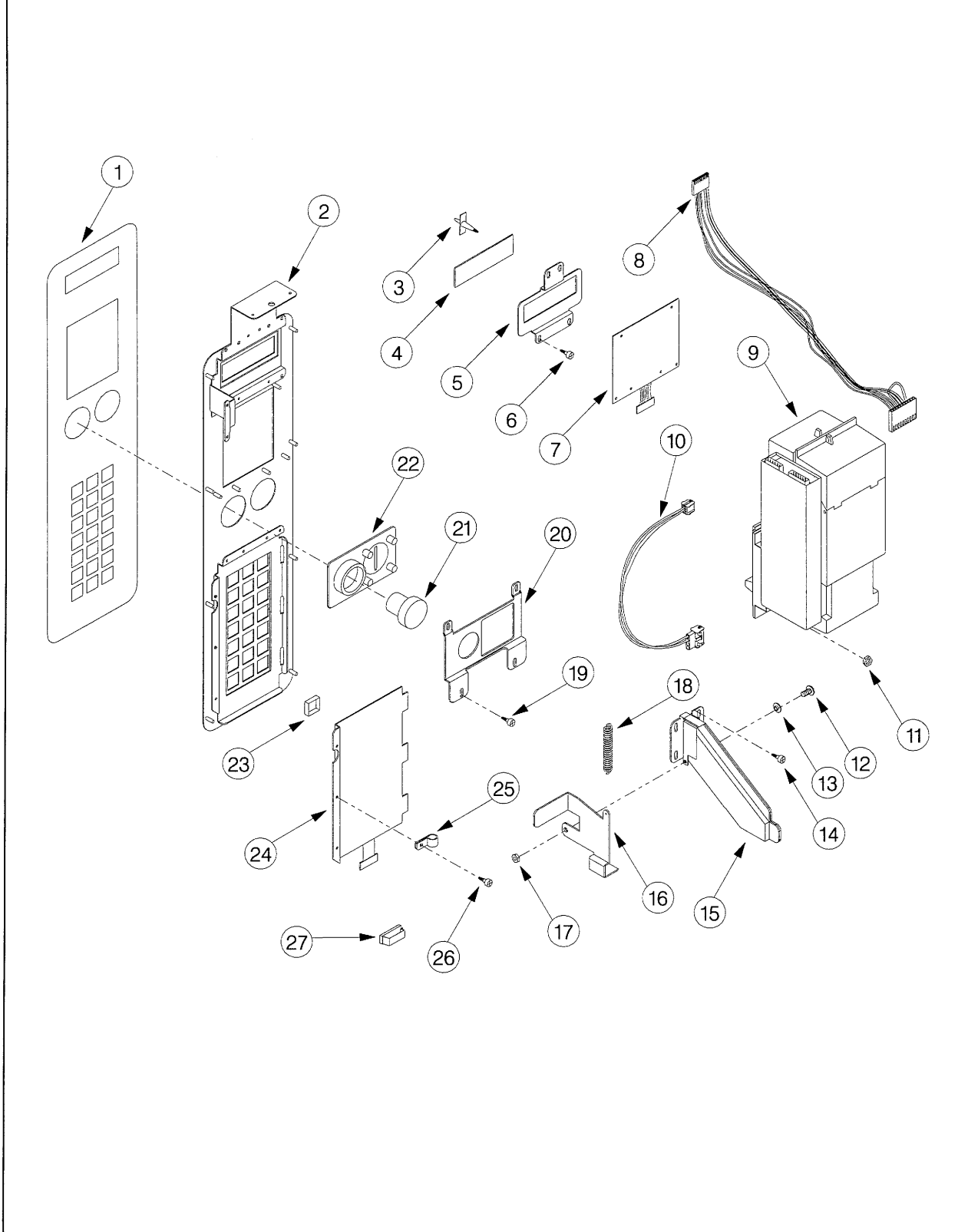
COMPLETE CONTROL PANEL ASSEMBLY



CONTROL PANEL ASSEMBLY

ITEM	PART NUMBER	QTY.	DESCRIPTION
	1212045-007	1	COMPLETE CONTROL PANEL ASSEMBLY
1	4203136-002	1	CONTROL PANEL COVER
2	4203467-001	1	CIRCUIT BREAKER 1 AMP
3	4203467-003	1	CIRCUIT BREAKER 3 AMP
4	4203467-005	1	CIRCUIT BREAKER 5 AMP
5	4207515	1	ROCKER SWITCH (SMALL)
5	4203892	1	ROCKER SWITCH (LARGE)
6	4203137	1	CONTROLLER MOUNTING BRACKET
7	4025723	5	CIRCUIT BOARD STAND-OFF
8	4202210	1	CONTROLLER
	4200238	1	SELF ADHESIVE FEET (Not Shown)
9	4203891	1	CONTROLLER INSTRUCTIONS
10	4205031	1	COIN MECHANISM LABEL
11	4203145-002	1	CONTROLLER COVER
12	4050423	4	#8-18 X 3/8 PHIL PAN HD TYPE AB SCREW
13	4201661	1	CONTROLLER COVER LABEL
14	4203144	1	SERVICE MODE BUTTON
15	4021017	1	SPRING
16	4203181	1	1/4" SNAP BUSHING
17	4203477	1	1/4" PUSH-ON NUT
18	4203615	1	CONTROL HARNESS
19	4203509	1	CABLE TIE
20	1212104	1	COINAGE WELD
21	4050423	1	#8-18 X 3/8 PHIL PAN HD TYPE AB SCREW
22	4050423	1	#8-18 X 3/8 PHIL PAN HD TYPE AB SCREW
23	4203468	1	SNAP-IN CLIP
24	4200419	1	COIN CHANGER - COINCO 9302L
25	4203617	1	POWER HARNESS
26	4202832	1	COIN MECHANISM HARNESS
27	4205057	1	POWER SWITCH WARNING LABEL

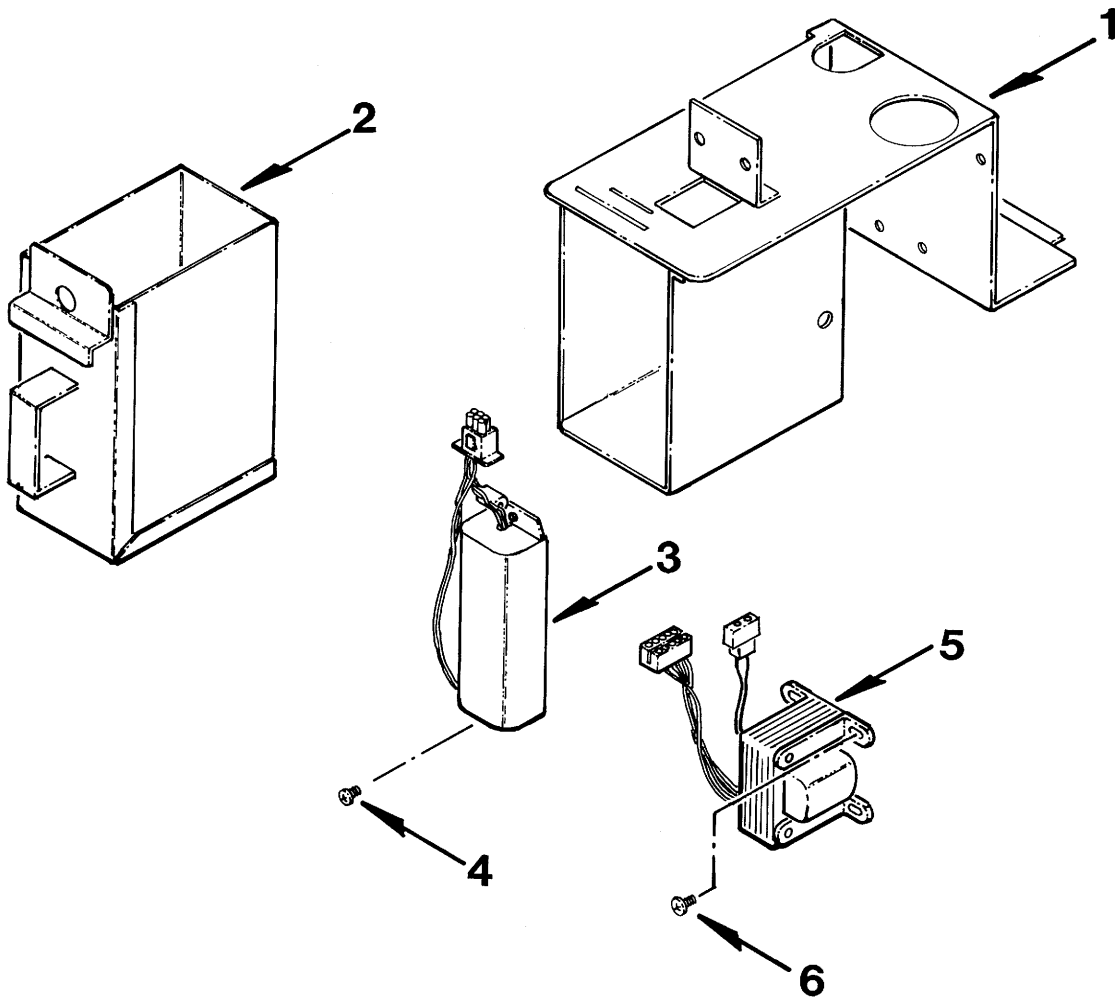
COMPLETE SELECTOR PANEL ASSEMBLY



SELECTOR PANEL

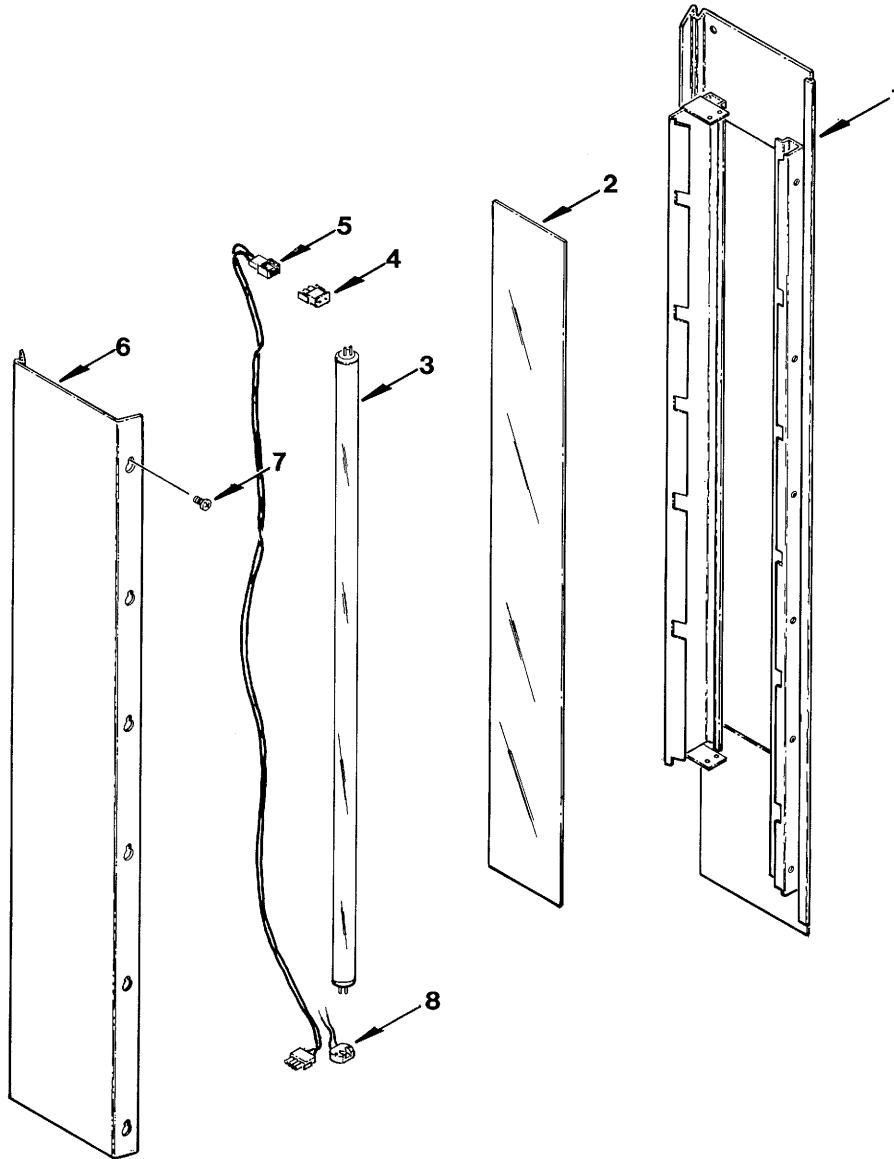
ITEM	PART NUMBER	QTY	DESCRIPTION
	1214166-002	1	COMPLETE SELECTOR PANEL ASSEMBLY
1	4207504	1	SELECTOR PANEL DECAL
2	1214152-001	1	SELECTOR PANEL WELD
3	4025723	4	CIRCUIT BOARD STAND-OFF
4	4200659	1	CREDIT DISPLAY LENS
5	4207312-001	1	CREDIT DISPLAY BRACKET
6	4050423	2	#8-18 X 3/8 PHIL PAN HD TYPE AB SCREW
7	4200660	1	CREDIT DISPLAY
8	4203684	1	VALIDATOR DATA HARNESS
9	4205536-124	1	VALIDATOR - COINCO BA32SA
10	4207595	1	VALIDATOR POWER HARNESS
11	8800956	6	#8-32 HEX NUT W/EXT WASHER
12	4050240	1	#8-32 X 3/8 PHIL PAN HD TYPE AB SCREW
13	4030100	1	BUSHING
14	4050423	4	#8-18 X 3/8 PHIL PAN HD TYPE AB SCREW
15	1212030	1	COIN INSERT WELD
16	4203191	1	COIN RETURN LEVER
17	4050511	1	#8-32 LOCK NUT
18	8376074	1	SPRING
19	4050423	2	#8-18 X 3/8 PHIL PAN HD M/SCREW
20	4207279-001	1	COIN INSERT RETAINER
21	4203187	1	COIN RETURN BUTTON
22	4203186	1	COIN INSERT/COIN RETURN MOLDING
23	4025741	21	PUSH BUTTON
24	1212028	1	KEYPAD ASSEMBLY
25	4060116	1	3/8" WIRE CLAMP
26	4050423	3	#8-18 X 3/8 PHIL PAN HD TYPE AB SCREW
27	4203696	1	RIBBON CABLE CLAMP

COMPLETE COIN BOX AND POWER SUPPLY ASSEMBLY



ITEM	PART NUMBER	QTY	DESCRIPTION
	1212052-001	1	COMPLETE COIN BOX AND POWER SUPPLY ASSEMBLY
1	1211449	1	COIN BOX MOUNT WELD ASSEMBLY
2	1211448	1	COIN BOX RIVET ASSEMBLY
3	4203625	1	BALLAST ASSEMBLY
4	4050423	1	#8-18 X 3/8 PHIL PAN HD TYPE AB SCREW
5	1200323	1	TRANSFORMER ASSEMBLY
6	4050423	2	#8-18 X 3/8 PHIL PAN HD TYPE AB SCREW
	4050585	4	#8 EXTERNAL TOOTH LOCK WASHER

COMPLETE DISPLAY LAMP ASSEMBLY



ITEM	PART NUMBER	QTY	DESCRIPTION
	1212034	1	LIGHT ASSEMBLY - COMPLETE
1	1211462-002	1	LIGHT BRACKET WELD ASSEMBLY
2	4203464	1	LIGHT DIFFUSER
3	4203131	1	FLUORESCENT LAMP F30T12
4	4203682	1	LIGHT PLUG
5	4203465	1	LAMP ASSEMBLY HARNESS
6	4203463	1	LIGHT REFLECTOR
7	4050423	4	#8-18 X 3/8 PHIL PAN HD TYPE AB SCREW
8	4203637	2	LIGHT HOLDER

OPTIONAL PARTS & ACCESSORIES

1200137-098	LUNCH BUCKET KIT - 6 COUNT
1200137-096	MICROWAVE WIDE PRODUCT KIT - 10 COUNT
1200137-097	MICROWAVE WIDE PRODUCT KIT - 7 COUNT
1200137-123	GUM & MINT KIT - 18 COUNT
1200137-124	GUM & MINT KIT - 24 COUNT
1200137-168	DRAWER LATCH KIT
4261878	COINCO BA VALIDATOR LOCK KIT
4060366	CASH BOX LOCK
7202038-000	PRIVATE KEYED LOCKS - FLEX ACE
7202038-10	PRIVATE KEYED LOCKS - FLEX ACE
BCK256	BILL VALIDATOR CLEANING KIT
PC20207	PLEXUS CLEANER - 7 OZ.
1200137-229	DUAL HELIX KIT - 15 COUNT
1200137-233	DUAL HELIX KIT - 12 COUNT
1200137-235	DUAL HELIX KIT - 6 COUNT
1200137-238	DUAL HELIX KIT - 10 COUNT
1200237-070	AUGER KIT - CANDY 15 COUNT
1200137-071	AUGER KIT - CANDY 18 COUNT
1200137-072	AUGER KIT - CANDY 24 COUNT
1200137-073	AUGER KIT - CANDY 30 COUNT
1200137-074	AUGER KIT - CANDY 12 COUNT
1200137-075	AUGER KIT - CANDY 9 COUNT
1200137-076	AUGER KIT - CANDY 6 COUNT
1200137-077	AUGER KIT - SNACK 10 COUNT
1200137-078	AUGER KIT - SNACK 12 COUNT
1200137-079	AUGER KIT - SNACK 15 COUNT
1200137-080	AUGER KIT - SNACK - 7 COUNT
1200137-081	AUGER KIT - SNACK - 8 COUNT

THE FOLLOWING PRODUCT AUGERS ARE ALSO AVAILABLE

4200272-000	PRODUCT AUGER - CANDY - 15 COUNT
4200272-002	PRODUCT AUGER - CANDY - 24 COUNT
4200272-003	PRODUCT AUGER - CANDY - 30 COUNT
4200272-005	PRODUCT AUGER - CANDY - 9 COUNT
4200272-006	PRODUCT AUGER - CANDY - 6 COUNT
4200272-007	PRODUCT AUGER - SNACK - 10 COUNT
4200272-009	PRODUCT AUGER - SNACK - 15 COUNT
4200272-010	PRODUVT AUGER - SNACK - 7 COUNT
4200272-011	PRODUCT AUGER - SNACK - 8 COUNT



