



PRO-SERIES
CANDY/SNACK VENDOR
MODEL: 3091

PARTS
MANUAL

FILE COPY

APRIL 1996

P/N 420796

TABLE OF CONTENTS

GENERAL INFORMATION.....	1
FINAL ASSEMBLY.....	2,3
CABINET ASSEMBLY	4,5
TRAY CONFIGURATION	6,7
DOOR ASSEMBLY.....	8,9
DOOR STYLING.....	10
COIN INSERT/SELECTION DISPLAY ASSEMBLY.....	11
DELIVERY ASSEMBLY	13

GENERAL INFORMATION:

Welcome to Selectivend, Inc., we offer you three convenient ways to order replacement parts. If you have any questions when placing your order, please call and we'll be happy to assist you. Please provide the following information when placing your order:

Quantity Required
Part Number
Shipping and Billing Address
Description
Preferred Method of Shipment
Vendor Model Number
Customer Account Number
Serial Number

- **MINIMUM ORDER \$25.00.** You may wish to inquire on prices of parts at the time of your order. If you order less than the minimum, please check our catalog for other parts you may require to bring your order up to the \$25.00 minimum order.
- **OPEN ACCOUNT** with approved credit.
- **MASTER CARD - VISA - C.O.D.**

If you have any questions, please call and we will be happy to assist you.

TO ORDER BY MAIL:

You may request your requirements for parts by providing the necessary information as requested above, and mailing your order to:

Selectivend, Inc.
P.O. Box 488
165 North 10th Street
Waukee, Iowa 50263-0488

If you have any questions phone or FAX us at Selectivend Parts and we will be happy to assist you. Order forms are available upon request from Selectivend, Inc. Or you may use your own purchase order form.

TO ORDER BY FAX MACHINE:

(515) 987-4447

You may Fax your order for replacement parts by providing the necessary information as requested above to Selectivend, Inc. By using our fax, **(515) 987-4447.**

TO ORDER BY PHONE:

In the United States: 800-833-4411

In Canada: 800-858-4730

All Others: 515-274-3641

You may call in your order for replacement parts. Ask for Selectivend Parts Department. Please provide the necessary information, as requested above, to allow us to provide you with prompt courteous service. If you have any questions, so indicate and we will be happy to assist you.

RETURNS:

RESTOCKING CHARGE 20%. A restocking charge of 20% will apply to merchandise accepted by Selectivend for return, except items processed as warranty.

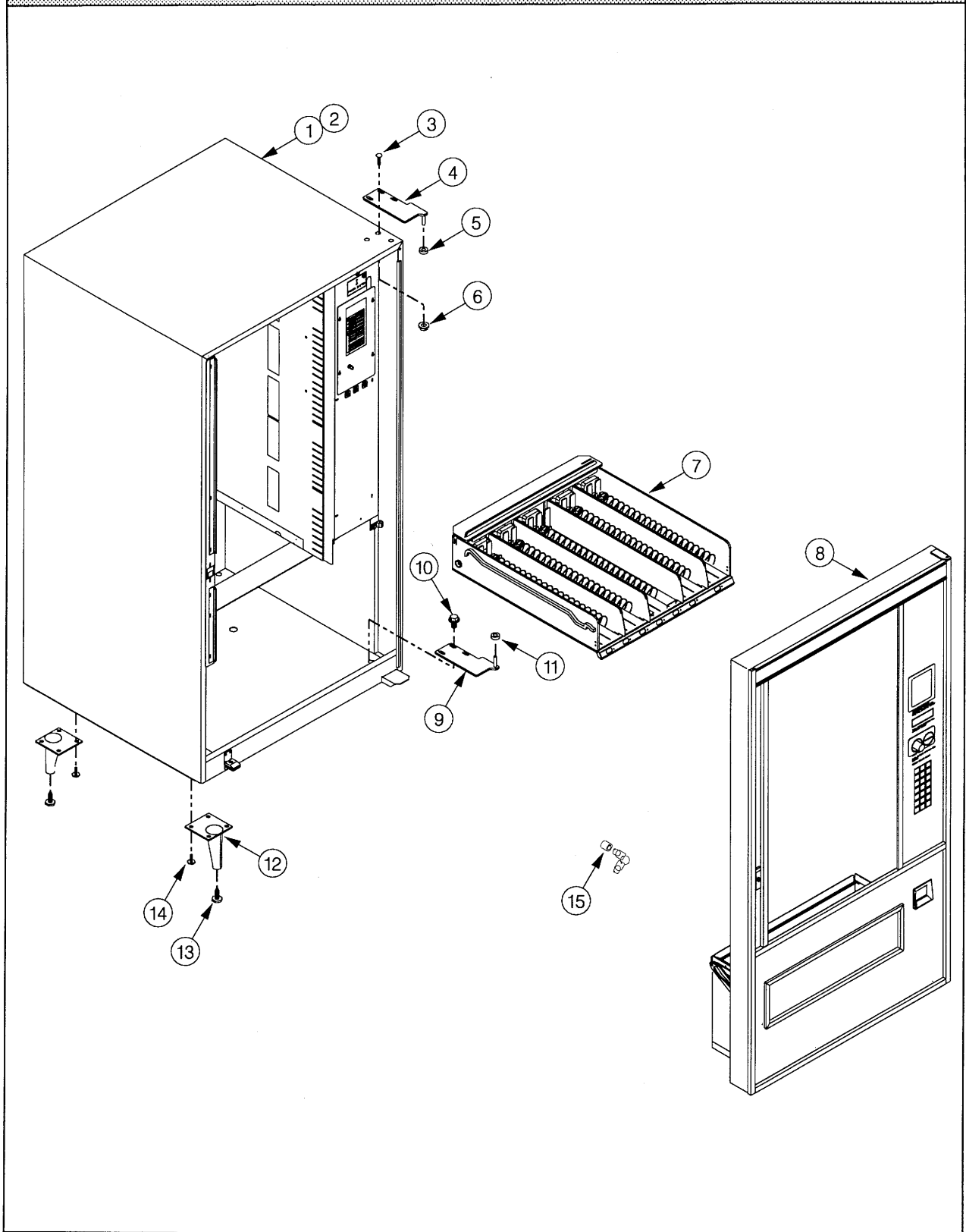
All items returned must be accompanied by a "material return tag" clearly stating the reason for return. Returns are to be shipped freight prepaid to Selectivend, Inc., 165 North 10th Street, Waukee, Iowa 50263-0488. (Return tags are available upon request from Selectivend.)

If you have any questions regarding returns, please call Selectivend, Inc.

LIMITATION OF LIABILITY:

Selectivend, Inc. Shall not be liable for any injury, loss or damage, whether direct, incidental or consequential arising out of the use of or the inability to use any part, parts or products sold by Selectivend, Inc. The remedies of the buyer set forth herein are exclusive, and the liability of Selectivend, Inc. With respect to any contract or sale or anything done in connection herewith, whether in connection therewith, whether in contract, in tort, under any warranty, or otherwise, shall not, except as expressly provided herein, exceed the price of the part, parts or products on which such liability is based. Any statements or representations about the parts or product, other than those contained herein, do not constitute warranties and shall not be relied on by the buyer and shall have no force of effect unless contained in a written agreement signed by officers of Selectivend.

FINAL ASSEMBLY



FINAL ASSEMBLY

ITEM	PART NUMBER	QTY	DESCRIPTION
1	1214121	1	CABINET ASSEMBLY (SEE PAGE #5)
2	4200032-000	1	LABEL-MADE IN U.S.A.
3	4050099	3	5/16-18 X 3/4 CARRAIGE BOLT
4	1212976-004	1	HINGE WELD, TOP
5	4050767	1	3/8 FLAT WASHER
6	4050066	3	5/16-18 HEX NUT
7	1212048-XXX	6	TRAY ASSEMBLY (SEE PAGE #7)
8	1214120	1	DOOR ASSEMBLY (SEE PAGE #9)
9	1212976-003	1	HINGE WELD, BOTTOM
10	8801388	3	5/16-18 X 3/4 HWH TYPE-D
11	4050767	2	3/8 FLAT WASHER
12	1131275	4	LEG WELD
13	8363374	4	LEG LEVELER
14	8801388	16	5/16-18 X 3/4 HWH TYPE-D
15	4060330	1	LOCK CYLINDER W/2 KEYS

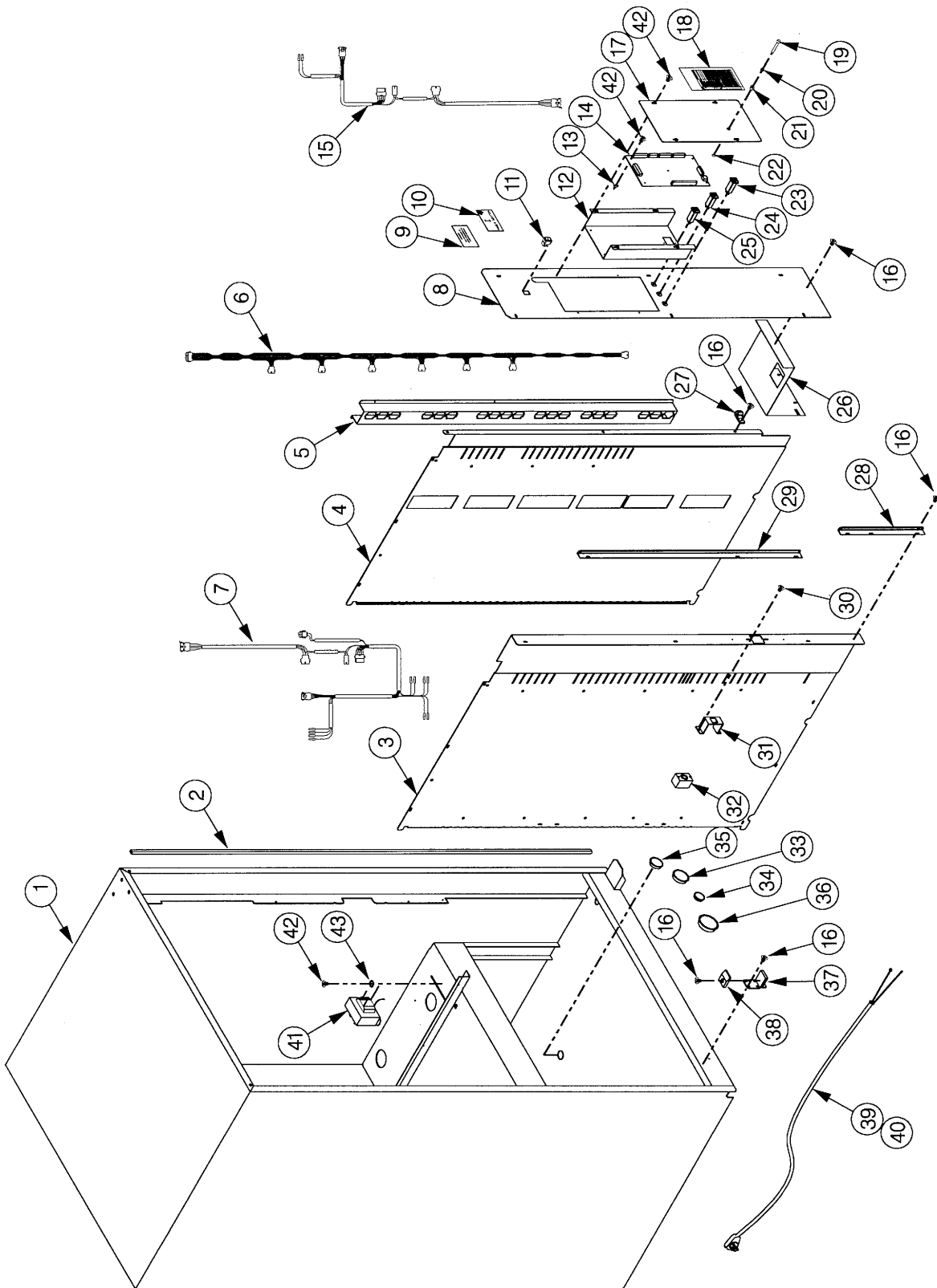
PARTS FURNISHED IN SERVICE PACKET

	4207485	1	SERVICE MANUAL
	4203707	1	SELECTION IDENTIFICATION LABEL
	4205749	36	BUMPERS
	4207603	1	KEYPAD OVERLAY
	4020071	1	LABEL - MINORS FORBIDDEN
	4201907	1	VALIDATOR PLATE
	1200169	4	PLASTIC PRODUCT SPACER ASSEMBLY
	4200281	3	SPRING CLIP
	8370660-5	1	SPACER
	8370998	3	SUPPORT SPACER

OPTIONAL KITS & ACCESSORIES

	1200137-096	A/R	MICROWAVE WIDE PRODUCT HELIX KIT, 10 COUNT CONTAINER SIZE - 6 5/8" X 5 1/4" X 1 5/8" (BOX)
	1200137-097	A/R	MICROWAVE WIDE PRODUCT HELIX KIT, 7 COUNT CONTAINER SIZE - 6 5/8" X 5 1/4" X 2" (BOX)
	1200137-098	A/R	LUNCH BUCKET/CUP NARROW PRODUCT HELIX KIT, 6 COUNT
	1200137-123	A/R	GUM & MINT HELIX KIT, 18 COUNT (36 PRODUCTS)
	1200137-124	A/R	GUM & MINT HELIX KIT, 24 COUNT (48 PRODUCTS)
	4261878	1	COINCO VALIDATOR STACKER HASP
	4060366-001	1	COIN BOX LOCK & KEYS
	7202038-000	1	CUSTOM LOCK CYLINDERS (CODED TO CUSTOMER SPECS.)

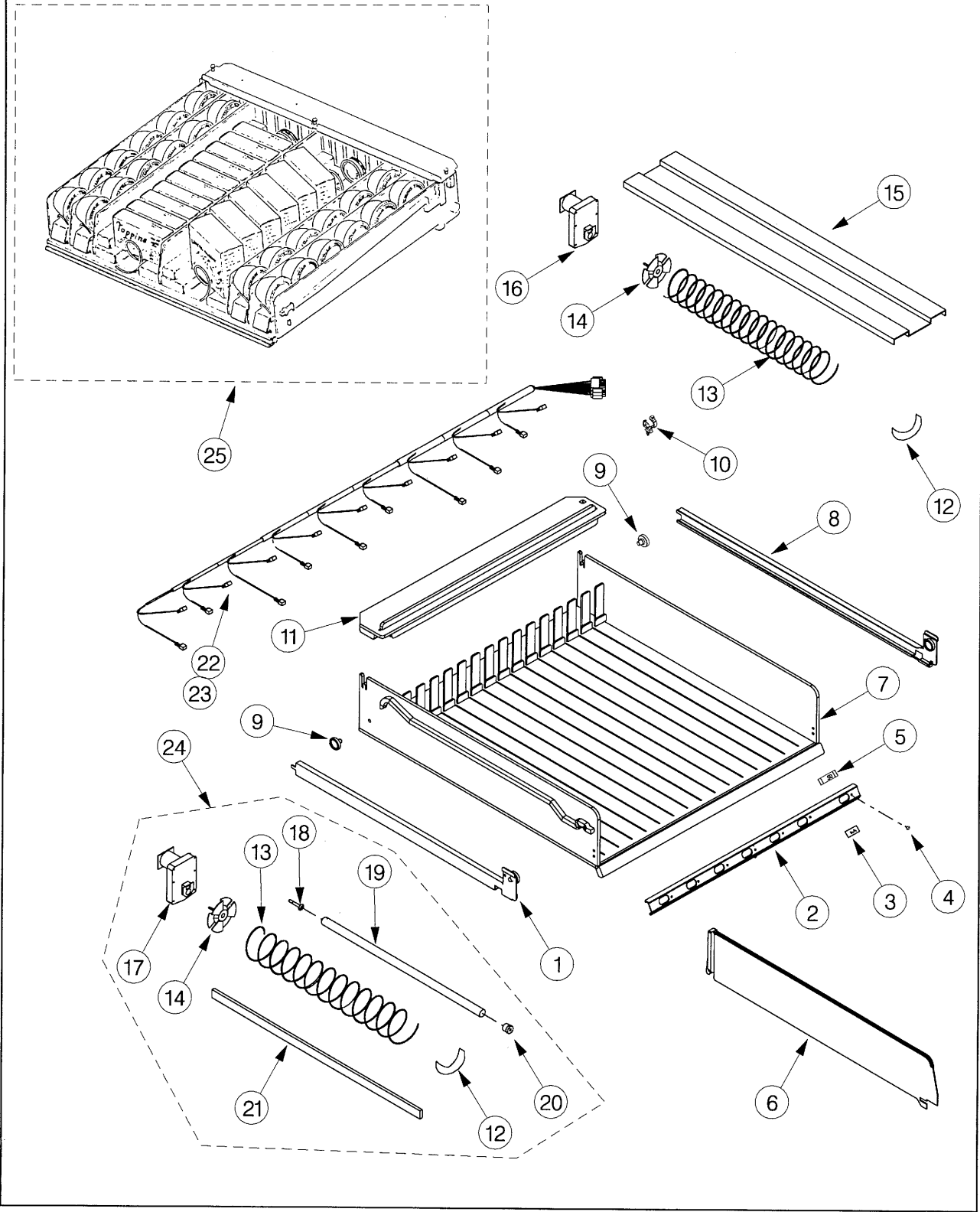
CABINET ASSEMBLY



CABINET ASSEMBLY

ITEM	PART NUMBER	QTY	DESCRIPTION
	1214121	1	CABINET ASSEMBLY
1	1214107	1	CABINET WELD
2	4202256	5.17 ft.	EDGE GUARD
3	1212109-004	1	LEFT PANEL WELD
4	4203135-002	1	RIGHT SIDE PANEL
5	4203143	1	TRAY RECEPTACLE
6	4203616	1	MAIN HARNESS
7	4203617	1	POWER HARNESS
8	4207396-003	1	CONTROL PANEL
9	8620711	1	POWER SWITCH WARNING LABEL
10	4020835	1	DECAL-TOGGLE SWITCH
11	4207515	1	ROCKER SWITCH
12	4203137	1	CONTROL BOARD MOUNT
13	4025723	5	CONTROLLER STAND-OFF
14	4202210	1	CONTROL BOARD #407209-1
15	4207487	1	CONTROLLER HARNESS
16	4050202	37	#8-18 X 1/2 PHIL HWH TEK
17	4207495	1	CONTROL BOARD COVER
18	4201661	1	CONTROL BOARD INSTRUCTION DECAL
19	4203144	1	MODE BUTTON
20	4021017	1	SPRING
21	4203181	1	1/4 ID SNAP-IN BUSHING
22	4203477	1	1/4 NUT
23	4203467-001	1	1 AMP CIRCUIT BREAKER
24	4203467-003	1	3 AMP CIRCUIT BREAKER
25	4203467-005	1	5 AMP CIRCUIT BREAKER
26	4207484	1	TRANSFORMER COVER
27	4060116	1	PLASTIC WIRE CLAMP 3/8"
28	4203645	1	ANTI-CHEAT BRACKET, SHORT
29	4203645-001	1	ANTI-CHEAT BRACKET, LONG
30	4050420	4	#8-18 X 1/4 PHIL HWH
31	4203255	1	NUT MOUNT BRACKET
32	4203634	1	SPLIT NUT ASSEMBLY
33	7250135-000	2	HOLE PLUG, 1 3/8"
34	7250135-001	3	HOLE PLUG, 1/2"
35	7250135-003	6	HOLE PLUG, 3/4"
36	7250135-007	1	HOLE PLUG, 2 1/4"
37	4207382	1	DOOR LIFT BRACKET
38	4025610	1	DOOR GLIDE
39	4203520	1	POWER CABLE
40	4201375	1	WARNING TAG - GROUNDING
41	1200323	1	TRANSFORMER ASSEMBLY
42	4050423	10	#8-18 X 3/8 PHIL PH TYPE-AB
43	4050585	1	#8 EXTERNAL TOOTH LOCKWASHER

TRAY CONFIGURATION



TRAY CONFIGURATION

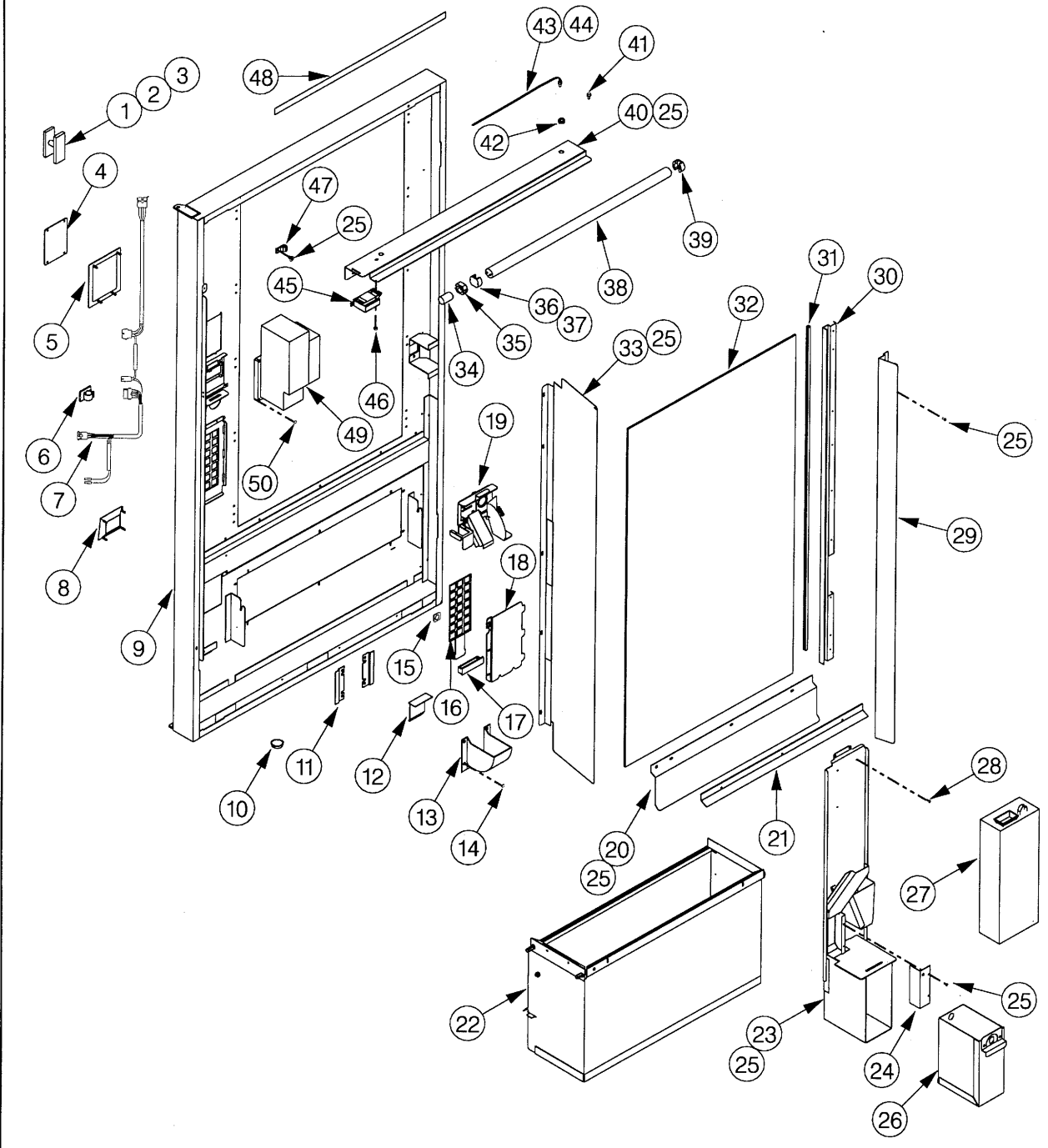
ITEM	PART NUMBER	QTY	DESCRIPTION
	1212048-XXX	6	TRAY ASSEMBLY
1	1200321-002	1	RAIL, RIVET ASSEMBLY, LEFT SIDE
2	4203229-004	1*	LABEL HOLDER
3	4203707	1	SELECTION IDENTIFICATION LABEL
4	4205749	A/R	BUMPER
5	4203341	A/R	PRICE SCROLL
6	4025797	A/R	SHELF DIVIDER
7	4203276	1	PRODUCT SHELF
8	1200321-003	1	RAIL, RIVET ASSEMBLY, RIGHT SIDE
9	4060670-004	2	ROLLER
10	4203468	1	SNAP-IN CLIP
11	4203277-004	1	MOTOR COVER
	1200106-XXX	A/R	AUGER, ASSEMBLY (CANDY OR SNACK)
12	4025748	A/R	PRODUCT EJECTOR
13	4200272-000	1	AUGER, 15 COUNT CANDY
	4200272-001	1	AUGER, 18 COUNT CANDY
	4200272-002	1	AUGER, 24 COUNT CANDY
	4200272-004	1	AUGER, 12 COUNT CANDY
	4200272-007	1	AUGER, 10 COUNT SNACK
	4200272-008	1	AUGER, 12 COUNT SNACK
	4200272-009	1	AUGER, 15 COUNT SNACK
	4200272-031	1	AUGER, 10 COUNT CANDY
	4202313	1	AUGER, 36 COUNT GUM & MINT
14	4202015	1	AUGER COUPLER
15	4200340	A/R	HELIX RETAINER
16	4034388	A/R	24VDC MOTOR, 360°
17	4202627	A/R	24VDC MOTOR, 180° (USE WITH GUM & MINT)
18	4200164-000	A/R	#8-32 X 1 1/4 SHOULDER SCREW (USE WITH GUM & MINT)
19	4202625-001	A/R	GUM & MINT HELIX TUBE (USE WITH GUM & MINT)
20	4203101	A/R	END CAP (USE WITH GUM & MINT)
21	4202624-001	A/R	GUM & MINT SPACER STRIP (USE WITH GUM & MINT)
22	4203508-004	1	TRAY HARNESS
23	4203509	1	CABLE TIE

OPTIONAL PRODUCT KITS

24	1200137-123	A/R	GUM & MINT HELIX KIT, 18 COUNT (36 PRODUCTS)
	1200137-124	A/R	GUM & MINT HELIX KIT, 24 COUNT (48 PRODUCTS)
25	1200137-096	A/R	MICROWAVE WIDE PRODUCT HELIX KIT, 10 COUNT CONTAINER SIZE - 6 5/8" X 5 1/4" X 1 5/8" (BOX)
	1200137-097	A/R	MICROWAVE WIDE PRODUCT HELIX KIT, 7 COUNT CONTAINER SIZE - 6 5/8" X 5 1/4" X 2" (BOX)
	1200137-098	A/R	LUNCH BUCKET/CUP NARROW PRODUCT HELIX KIT, 6 COUNT

A/R = AS REQUIRED

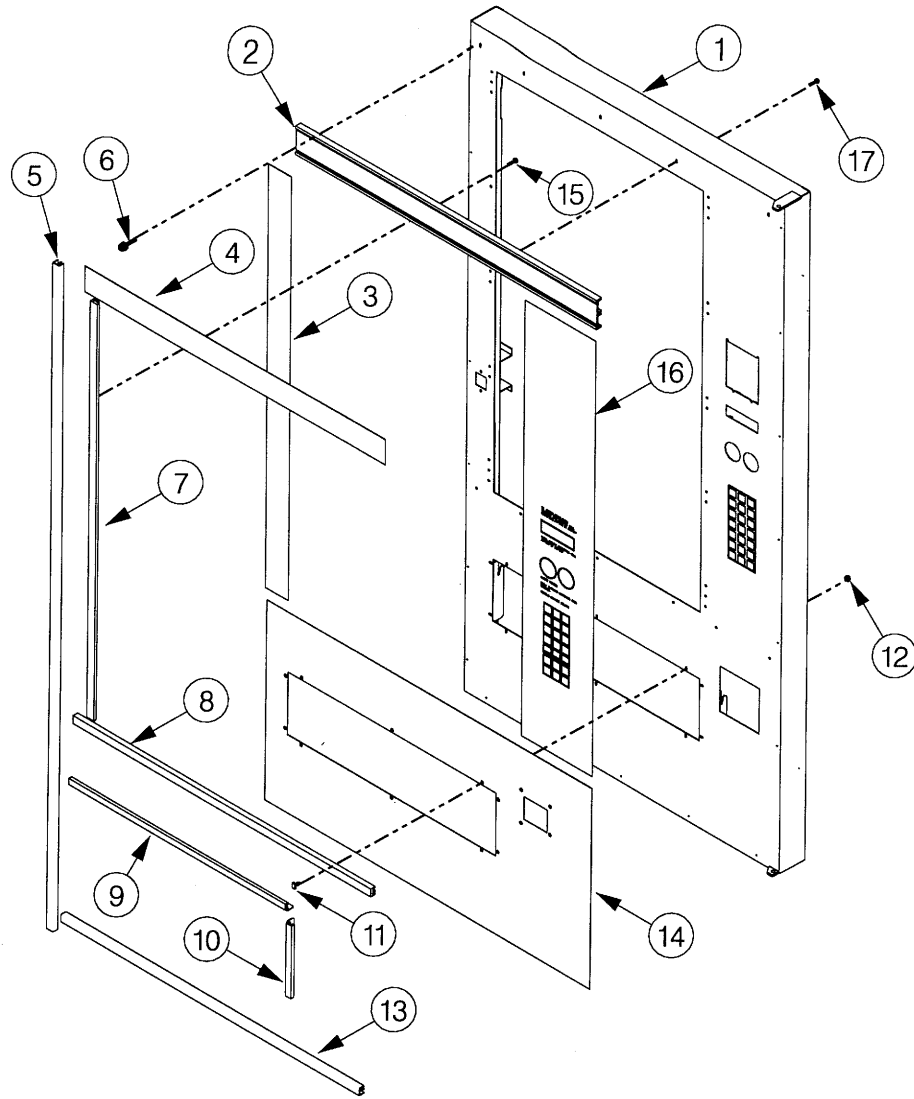
DOOR ASSEMBLY



DOOR ASSEMBLY

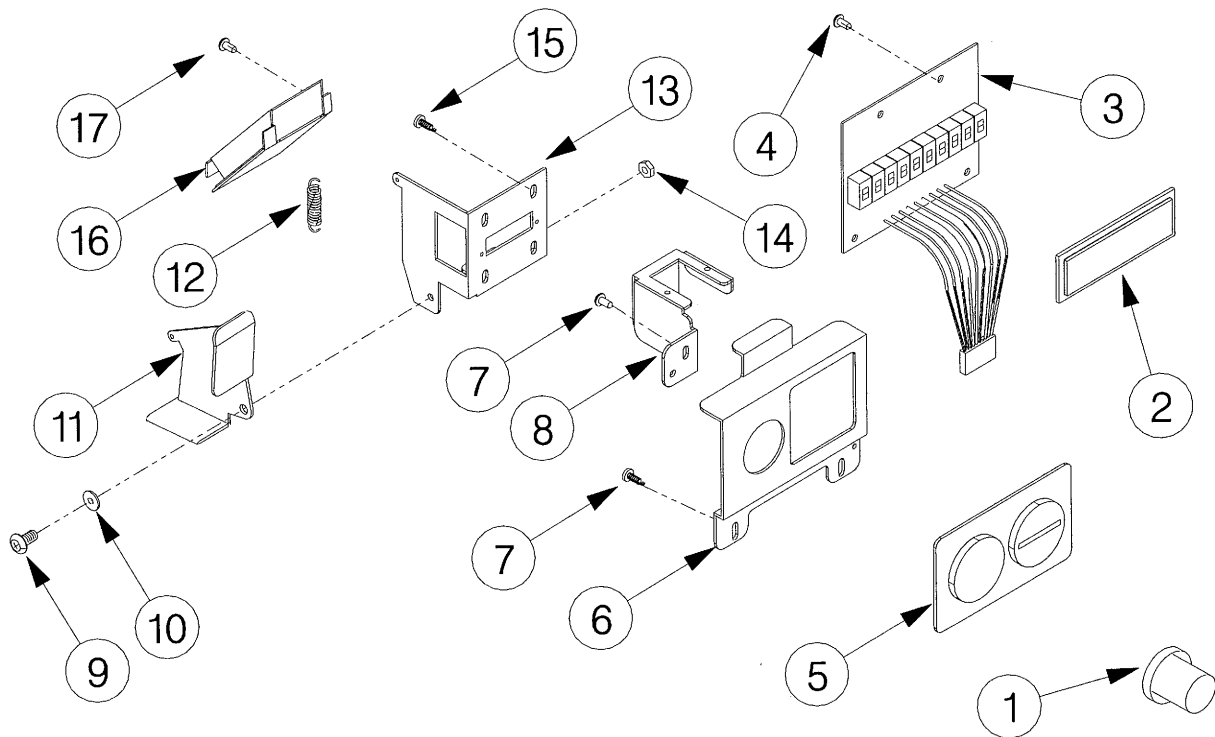
ITEM	PART NUMBER	QTY	DESCRIPTION
	1214120	1	DOOR ASSEMBLY
1	4203486	1	1/4 TURN HANDLE
2	4050338	2	#10-32 X 1/2 PHIL FH MS
3	8800952	2	#10-32 HEX NUT W/ETW
4	4201907	A/R	VALIDATOR PLATE
5	1210256-000	1	VALIDATOR PLATE WELD
6	8370959-3	2	LOCKING CLAMP 3/4" SELF ADHESIVE
7	4207487	1	CONTROLLER HARNESS
8	4203209	1	COIN CUP BEZEL
9	1214106	1	DOOR WELD
10	7250135-001	2	HOLE PLUG 1/2"
11	4207443	2	COIN CUP RETAINER
12	4203208	1	COIN CUP DOOR
13	4203207	1	COIN CUP
14	4203477	4	1/4 NUT
15	4025741	21	PUSHBUTTON
16	4201202	1	KEYPAD
17	4203696	1	RIBBON CABLE CLAMP
18	4203215	1	KEYPAD BACK PLATE
19	*****	1	COIN INSERT/SELECTION DISPLAY ASSEMBLY (SEE PAGE #11)
20	4207378	1	PRODUCT DEFLECTOR
21	4207494	1	LIGHT DEFLECTOR
22	1212040-009	1	DELIVERY ASSEMBLY (SEE PAGE #12)
23	1214104	1	COINAGE WELD
24	4207404-001	1	COIN CHUTE COVER
25	4050423	23	#8-18 X 3/8 PHIL PH TYPE-AB
26	1212127	1	COIN BOX WELD
27	4200419	1	COIN MECHANISM - 9302L
28	8800638	3	#10-16 X 3/8 PHIL PH TYPE-B
29	4203485-002	1	LEFT DOOR PARTITION
30	4207381-003	2	WINDOW RETAINER
31	4202039-007	1	WINDOW GASKET
32	4203478-007	1	DISPLAY WINDOW
33	4207441-001	1	DOOR PARTITION
34	4033661	1	STARTER
35	4203027	1	STARTER SOCKET
36	4203025	1	LAMP SOCKET, THREADED
37	8801332	2	#4-40 X 3/4 PHIL PH TAPTITE
38	4033550	1	FLUORESCENT LAMP
39	4203026	1	LAMP SOCKET, SPRING CLIP
40	1214125	1	LIGHT REFLECTOR WELD
41	4033505	5	CLOSED END SPLICE CAP
42	4033671	2	GROMMET 3/8" ID
43	4207486	1	LAMP HARNESS
44	4060622	A/R	1/2" FILIMENT TAPE
45	4033669	1	BALLAST
46	8800956	2	#8-32 HEX NUT W/ETW
47	4060134	1	PLASTIC WIRE CLAMP 1"
48	4202255	11.2 FT.	GASKET 1/4 X 3/4 W/ADHESIVE
49	4205536-024	1	BA32F VALIDATOR, 24V
50	8800956	4	#8-32 HEX NUT W/ETW

DOOR STYLING



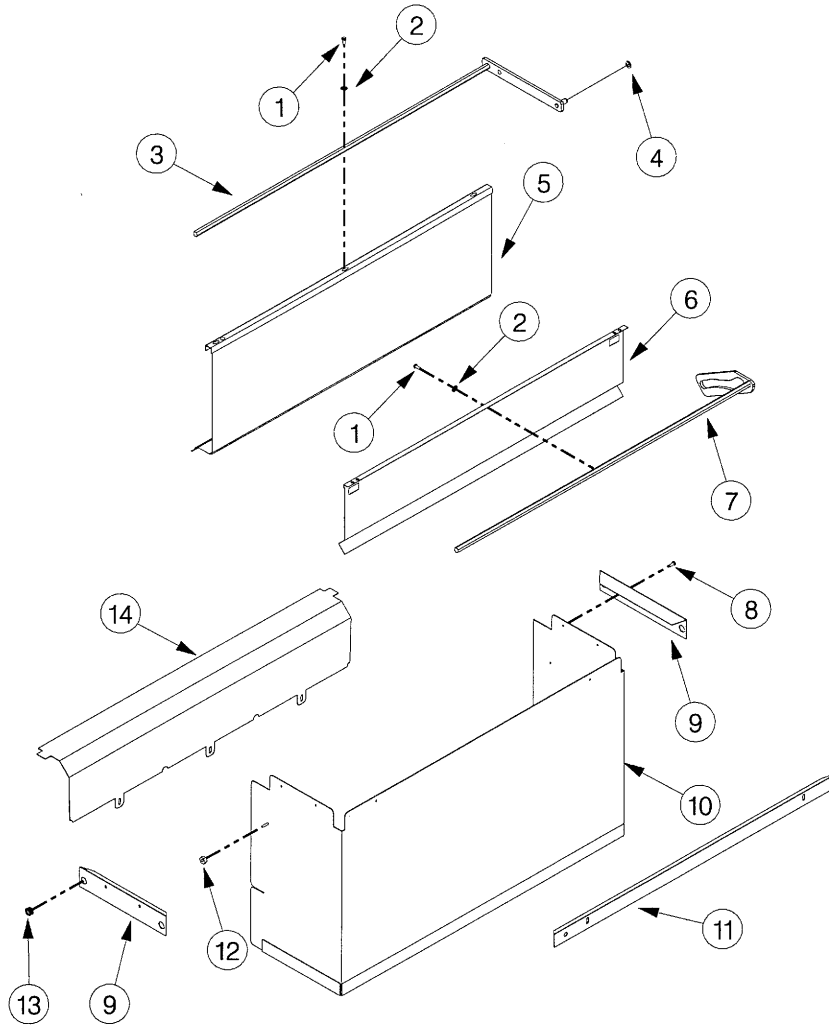
ITEM	PART NUMBER	QTY	DESCRIPTION
1	1214106	1	DOOR WELD
2	4202050-010	1	HEADER TRIM
3	R-6807	.25 FT.	VINYL - BLACK PICA
4	4201119-170	1	TRIM INSERT PANEL
5	4205979-008	2	SNAP-ON TRIM
6	4201116	19	10 X 5/16 TRIM HD SMS
7	4207150	2	WINDOW TRIM, SIDES
8	4202048-009	1	WINDOW TRIM, BOTTOM
9	4022357-026	2	DELIVERY TRIM, HORZ.
10	4022357-025	2	DELIVERY TRIM, VERT.
11	4050724	10	#8-32 X 3/8 TEE BOLT
12	4050513	10	#8-32 TWIN WHIZ LOCK NUT
13	4201117-051	1	DOOR TRIM, BOTTOM
14	1214254	1	STYLING PANEL
15	8800636	3	#8-18 X 1/2 PHIL PH TYPE-B
16	4207448	1	DOOR DECAL
17	8800638	22	#10-16 X 3/8 PHIL PH TYPE-B

COIN INSERT/SELECTION DISPLAY ASSEMBLY



ITEM	PART NUMBER	QTY	DESCRIPTION
1	4203187	1	COIN RETURN BUTTON
2	4200659	1	READOUT WINDOW
3	4200660	1	PC BOARD, SEL DISPLAY READOUT
4	4050120	4	#6-32 x 5/16 PHIL PH TYPE T
5	4203186-004	1	COIN INSERT
6	4205778	1	COIN INSERT RETAINER
7	4050423	3	#8-18 X 3/8 PHIL PH TYPE-AB
8	4206812	1	PLUG BRACKET
9	4050251	1	#8-32 X 5/8 PHIL PH MS
10	4030100-001	1	BUSHING- SPACER
11	4207402	1	COIN RETURN LEVER
12	4021020	1	SPRING 9/32 X 1 3/32
13	4207403-003	1	COIN CHUTE MOUNT
14	4050511	1	#8-32 NUT - TWO WAY LOCK
15	4050423	4	#8-18 X 3/8 PHIL PH TYPE-AB
16	1212097-001	1	COIN CHUTE WELD
17	4201942	2	#6-20 X 3/16 PHIL PH TYPE B

DELIVERY ASSEMBLY



ITEM	PART NUMBER	QTY	DESCRIPTION
	1212040-009	1	DELIVERY ASSEMBLY
1	4050239	6	#8-32 X 3/8 PHIL PH TYPE T
2	4050585	6	#8 STAR WASHER
3	1212038-004	1	FOLLOWER WELD
4	8801080	1	E-RING 5/16
5	1212041-004	1	DELIVERY DOOR WELD
6	4203373-004	1	DELIVERY ANTI-CHEAT
7	1212039-004	1	CAM/ROD WELD
8	4050423	6	#8-18 X 3/8 PHIL PH TYPE AB
9	4203379	2	DELIVERY MOUNT
10	1212037-004	1	DELIVERY WELD
11	4203436-004	1	REAR DELIVERY DEFLECTOR
12	4050513	2	#8-32 NUT
13	4025263	4	TYPE 7 SNAP-IN NYLINER
14	4203377-004	1	DELIVERY FALSE BOX

