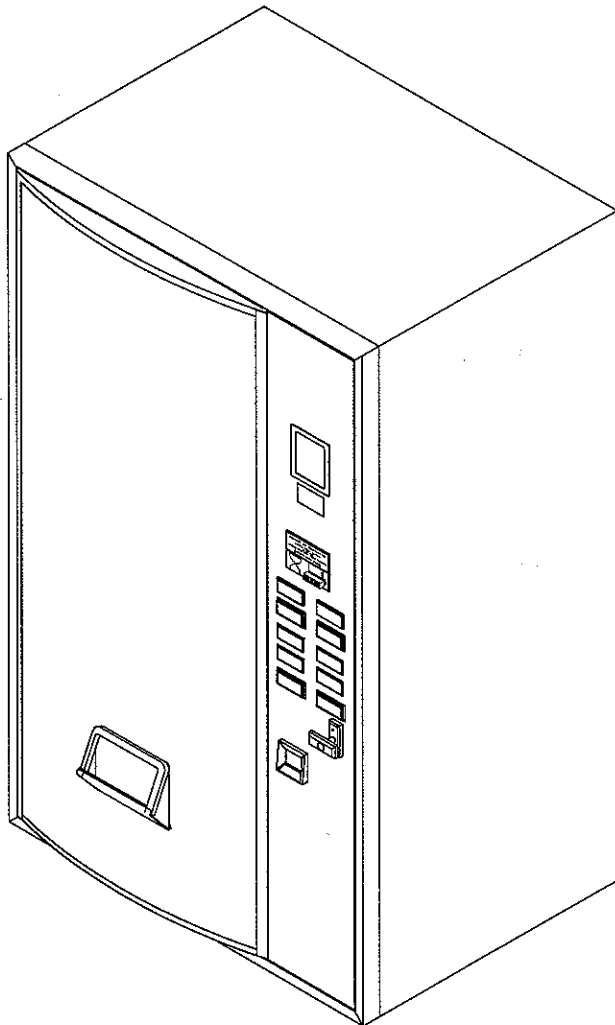


CD-10
COLD DRINK VENDOR
MODEL: 3037-10 - FLAT FRONT
MODEL 3037-10B - BUBBLE FRONT



PARTS
MANUAL

GENERAL INFORMATION:

Welcome to Selectivend, Inc., we offer you three convenient ways to order replacement parts. If you have any questions when placing your order, please call and we'll be happy to assist you. Please provide the following information when placing your order:

Quantity Required
Part Number
Shipping and Billing Address
Description
Preferred Method of Shipment
Vendor Model Number
Customer Account Number
Serial Number

- **MINIMUM ORDER \$25.00.** You may wish to inquire on prices of parts at the time of your order. If you order less than the minimum, please check our catalog for other parts you may require to bring your order up to the \$25.00 minimum order.
- **OPEN ACCOUNT** with approved credit.
- **MASTER CARD - VISA - C.O.D.**

If you have any questions, please call and we will be happy to assist you.

TO ORDER BY MAIL:

You may place your requirements for replacement parts by providing the necessary information as requested above, and mailing your order to:

Selectivend, Inc.
P.O. Box 488
165 North 10th Street
Waukee, Iowa 50263-0488

If you have any questions, call **(800-833-4411)**, ask for Selectivend Parts and we will be happy to assist you. Order forms are available upon request from Selectivend, Inc. Or you may use your own purchase order form.

TO ORDER BY FAX MACHINE: (515) 987-4447

You may Fax your order for replacement parts by providing the necessary information as requested above to Selectivend, Inc. By using our fax, **(515) 987-4447**.

TO ORDER BY PHONE: (800-833-4411)

You may call in your order for replacement parts. Ask for Selectivend Parts Department. Please provide the necessary information, as requested above, to allow us to provide you with prompt courteous service.

If you have any questions, so indicate and we will be happy to assist you.

RETURNS:

RESTOCKING CHARGE 20%. A restocking charge of 20% will apply to merchandise accepted by Selectivend for return, except items processed as warranty.

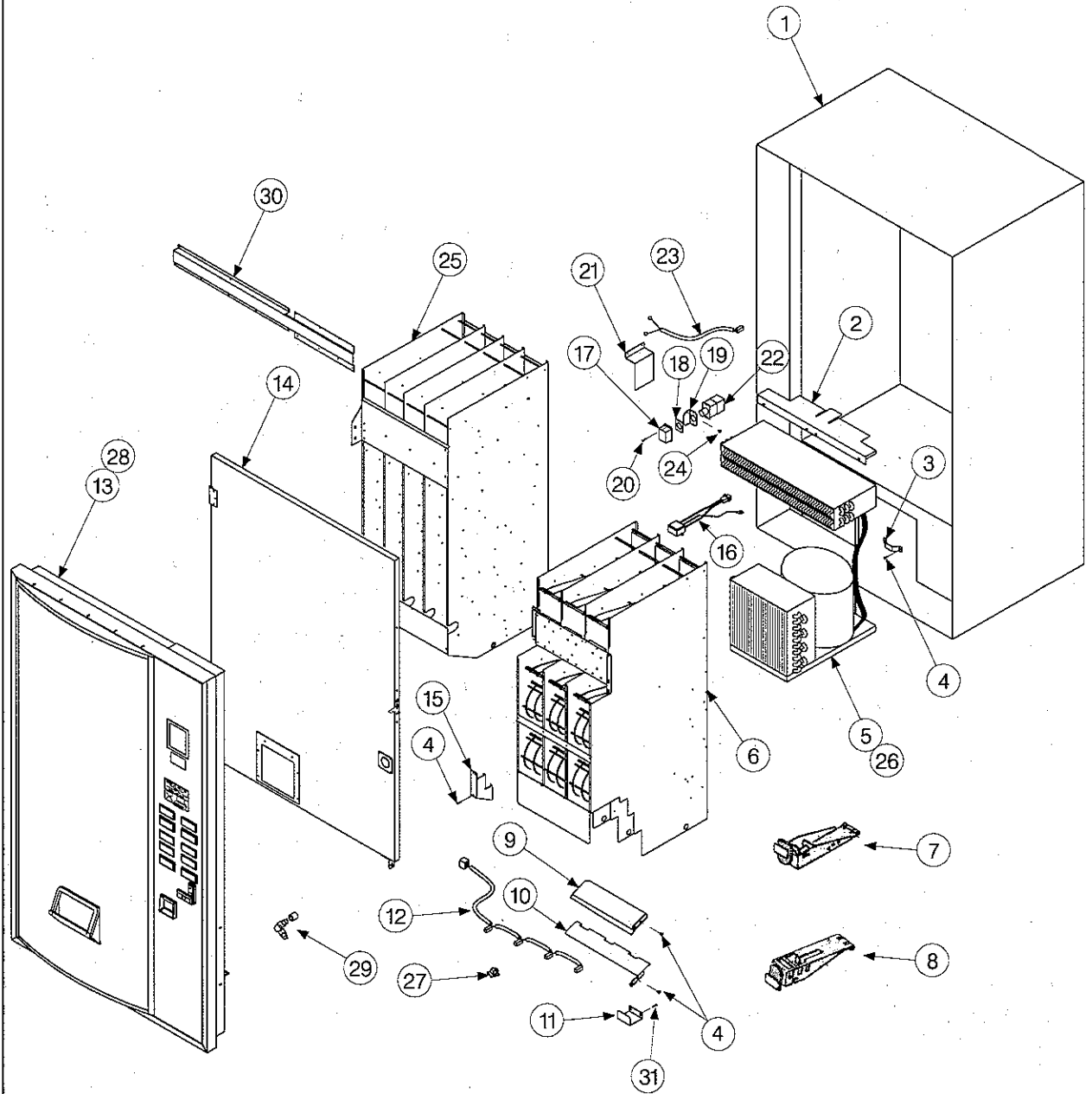
All items returned must be accompanied by a "material return tag" clearly stating the reason for return. Returns are to be shipped freight prepaid to Selectivend, Inc., 165 North 10th Street, Waukee, Iowa 50263-0488. (Return tags are available upon request from Selectivend.)

If you have any questions regarding returns, please call Selectivend, Inc. (800-833-4411), we will be happy to assist you.

LIMITATION OF LIABILITY:

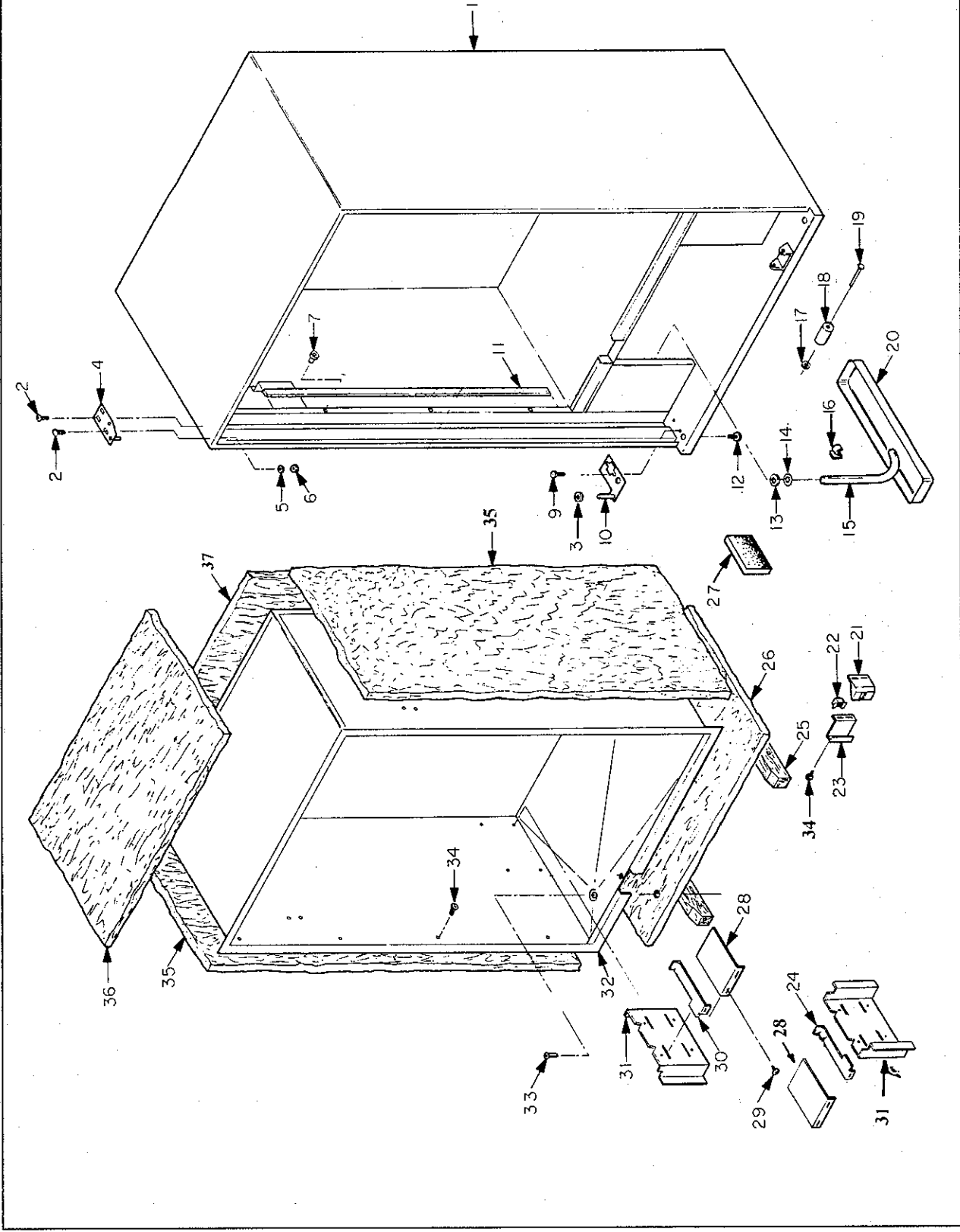
Selectivend, Inc. Shall not be liable for any injury, loss or damage, whether direct, incidental or consequential arising out of the use of or the inability to use any part, parts or products sold by Selectivend, Inc. The remedies of the buyer set forth herein are exclusive, and the liability of Selectivend, Inc. With respect to any contract or sale or anything done in connection herewith, whether in connection therewith, whether in contract, in tort, under any warranty, or otherwise, shall not, except as expressly provided herein, exceed the price of the part, parts or products on which such liability is based. Any statements or representations about the parts or product, other than those contained herein, do not constitute warranties and shall not be relied on by the buyer and shall have no force of effect unless contained in a written agreement signed by officers of Selectivend.

FINAL ASSEMBLY



FINAL ASSEMBLY			
ITEM	PART NUMBER	QTY	DESCRIPTION
1		1	CABINET ASSEMBLY - See Page #4
2	4201979	1	AIR BAFFLE
3	4202883	1	LINE RETAINER
4	4050202	17	#8-18 X 1/2 PHIL HWH TEK
5	1212325	1	REFRIGERATION SYSTEM - R134A - See Page #22
6	1212270	1	DOUBLE SERPENTINE CAN RACK - See Page #6
7	1211443	7	UPPER EJECTOR MECH - See Page #21
8	1211444	3	LOWER EJECTOR MECH - See Page #21
9	4205211	1	CAN SLIDE - UPPER
10	4205212	1	CAN SLIDE
11	4202992	3	MOTOR COVER
12	4205701	1	CABINET HARNESS
13		1	COMPLETE DOOR ASSEMBLY - See Page #12 & 14
14	1211402	1	INNER DOOR ASSEMBLY - See Page #10
15	4203254	1	WIRE RETAINER
16	4203730-002	1	R.F.I. LINE FILTER
17	4202747	1	COLD CONTROL COVER
18	7333084-000	1	DECAL
19	7332408-000	1	BRACKET - THERMOSTAT
20	4050234	2	#8-32 X 3/8 PHIL TH MS
21	4206246	1	THERMOSTAT SHIELD
22	4034324	1	THERMOSTAT
23	7332502-000	1	SERVICE HARNESS
24	7331309-000	2	#8 X 1/2 PHIL TH TYPE "A" SMS
25	1212585	1	SINGLE SERPENTINE CAN RACK - See Page #8
26	4050781	2	5/16-18 X 1 1/4 HH TAPTITE
27	4060134	3	PLASTIC WIRE CLAMP - 1"
28	4206939	1	TILT LABEL (Not Shown)
29	4060330	1	LOCK CYLINDER (With Keys)
30	4206115	1	UPPER CAN RACK SUPPORT
31	8800636	6	#8-18 X 3/8 PHIL PH TYPE B
PARTS FURNISHED IN SERVICE PACKET NOT SHOWN ON ILLUSTRATIONS IN MANUAL			
	1211018	1	CAN STOP ASSEMBLY
	4201907	1	VALIDATOR PLATE
	4202690-XXX	A/R	PRICE LABELS (Specify Prive Value)
	4201846	1	INSTALLATION INSTRUCTIONS - CAN STOP
	4202997	1	SERVICE MANUAL
	4203252	1	ANTI-CHEAT BRACKET
	4207074	1	INSTALLATION INSTRUCTIONS - ANTI CHEAT BRACKET
OPTIONAL KITS & ACCESSORIES NOT SHOWN			
	1212593	1	COIN BOX LOCK ASSEMBLY
	4060366	1	LOCK - COIN BOX
	4205114	1	LOCK CAM - COIN BOX
	1200137-174	1	HEATER KIT
	1200137-259	1	DRAIN PAN HEATER KIT (110 V)
	1200137-260	1	DRAIN PAN HEATER KIT (220 V)
	1200137-165	1	OUTER DOOR HASP KIT
	4203252	1	ANTI CHEAT BRACKET
	4202975	1	RAIN GUARD
	7202038-000	1	CUSTOM LOCK CYLINDERS (CODED TO CUSTOMER SPECS.)

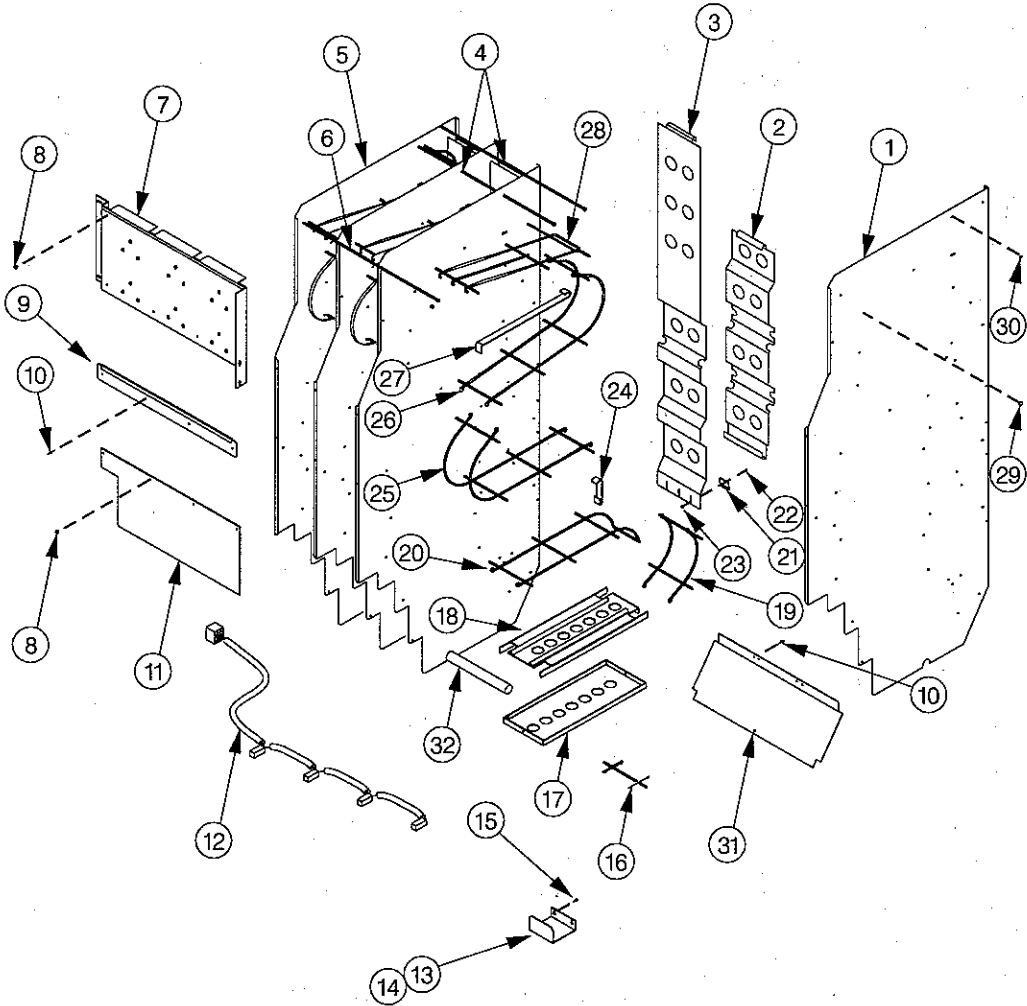
CABINET ASSEMBLY



CABINET ASSEMBLY

ITEM	PART NUMBER	QTY	DESCRIPTION
1	1211363-XXX	1	CABINET WELD (Specify Color)
2	4050393	4	1/4-20 X 3/4 CARRIAGE BOLT
3	4050767	1	3/8 FLAT WASHER - NYLON
4	1211385-XXX	1	TOP HINGE (Specify Color)
5	4050084	4	1/4 SPLIT LOCKWASHER
6	4050547	4	1/4-20 TWIN WHIZ NUT
7	4202189	16	SNAP IN PLASTIC SPRING
9	8801388	2	5/16-18 X 3/4 HWH TYPE D
10	1211384-XXX	1	BOTTOM HINGE (Specify Color)
11	4202278-004	16 ft	FOAM TAPE
12	4060310	4	LEG LEVELER
13	4050608	1	1/2 FLAT WASHER
14	4202284	1	.500 DIA PUSH NUT
15	4025410-006	3.5 ft	TUBING - MAYON
16	7200341-000	1	TUBE CLIP
17	4200088	1	.250 STUD DIA PUSH NUT
18	8368656	1	ROLLER
19	8383009	1	PIN
20	7200623-000	1	DRAIN PAN
21	4203487	1	LATCH NUT MOUNT
22	4050760	1	1/2-13 SQUARE NUT W/RETAINER
23	4203266	1	NUT RETAINER
24	4202921-001	1	EVAPORATOR SUPPORT - RIGHT
25	4202895	2	LINER SUPPORT
26	4008877-001	1	INSULATION - CABINET BOTTOM
27	4202034	1	DRAIN PAN SPONGE
28	4201980	2	EXTENSION BRACKET
29	4050202	A/R	#8-18 X 1/2 PHIL HWH TEK
30	4202921	1	EVAPORATOR SUPPORT - LEFT
31	4202922	2	CAN RACK RISER
32	1211373	1	LINER WELD
33	7100042-000	1	DRAIN TUBE
34	7200468-001	12	#10-12 X 1 PHIL TH TYPE A
35	4008878-001	2	INSULATION - CABINET SIDE
36	4008881-001	1	INSULATION - CABINET TOP
37	7200952-007	1	INSULATION - CABINET BACK
38	8620495	1	WARNING LABEL - REFER (Not Shown)

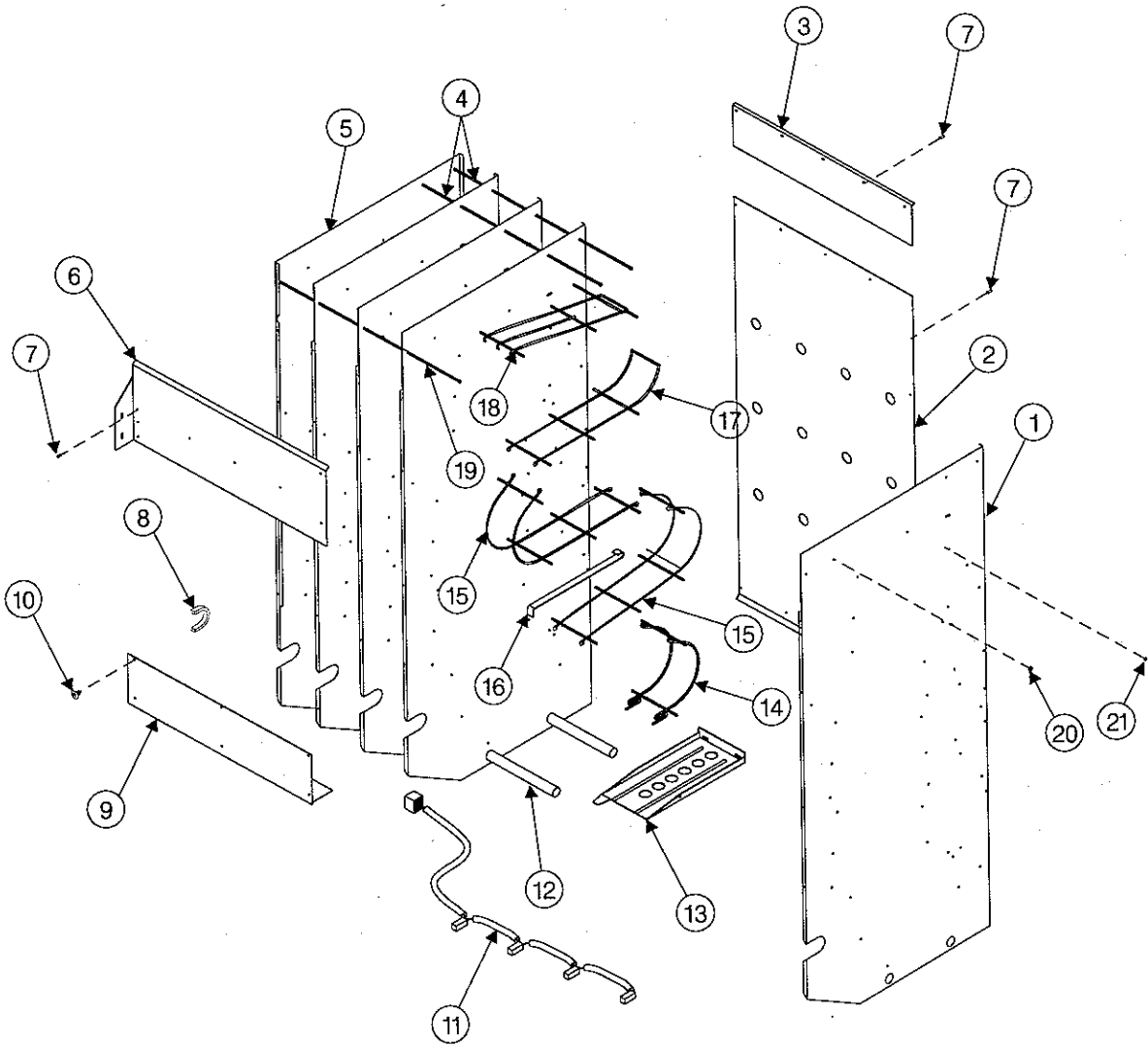
DOUBLE DEPTH CAN RACK



DOUBLE DEPTH CAN RACK

1	4202918	3	PARTITION PANEL - RIGHT
2	4201548	3	CAN DEFLECTOR - SHORT
3	4201549	3	CAN DEFLECTOR - LONG
4	7332474-003	43	.156 DIA TIE ROD
5	4202918-001	1	PARTITION PANEL - LEFT
6	7332473-002	2	.125 DIA TIE ROD
7	4205182	1	FRONT TIE PLATE
8	4050202	10	#8-18 X 1/4 PHIL HWH
9	4205190	1	LOWER FRONT TIE STRAP
10	7201418-004	16	RIVET - AVDEL 1821-0412
11	4201555	1	MOTOR COVER - TOP
12	4205701	1	CABINET HARNESS
13	4202992	3	MOTOR COVER
14	4202255	8½"	GASKET - ¼ X ¼ (WITH ADHESIVE)
15	8800636	6	#8-18 X ½ PHIL PH TYPE B
16	4201535	3	WIRE SHELF - BOTTOM
17	4201558	3	BOTTOM SHELF INSERT
18	4201560	3	BOTTOM SHELF
19	4201534	3	BOTTOM LOOP
20	7331975-000	6	TOP LOOP
21	4201552	3	DEFLECTOR PLATE SUPPORT
22	4050240	3	#8-32 X 3/8 PHIL PH MS
23	4050511	3	#8-32 NUT - TWO WAY LOCK
24	4201551	3	HANGER STRAP
25	7331974-000	12	CENTER LOOP
26	7331974-002	3	CENTER LOOP
27	7331999-000	18	RETAINER STRAP
28	7331977-000	6	UPPER SHELF
29	7332477-000	2	.125 DIA STUD PUSH NUT
30	7332476-000	43	.156 DIA STUD PUSH NUT
31	4205261	1	BACK AIR BAFFLE
32	4206236	2	TUBE - RACK SUPPORT
	8620438	1	DOUBLE DIGIT #'S (1-12) - Not Shown

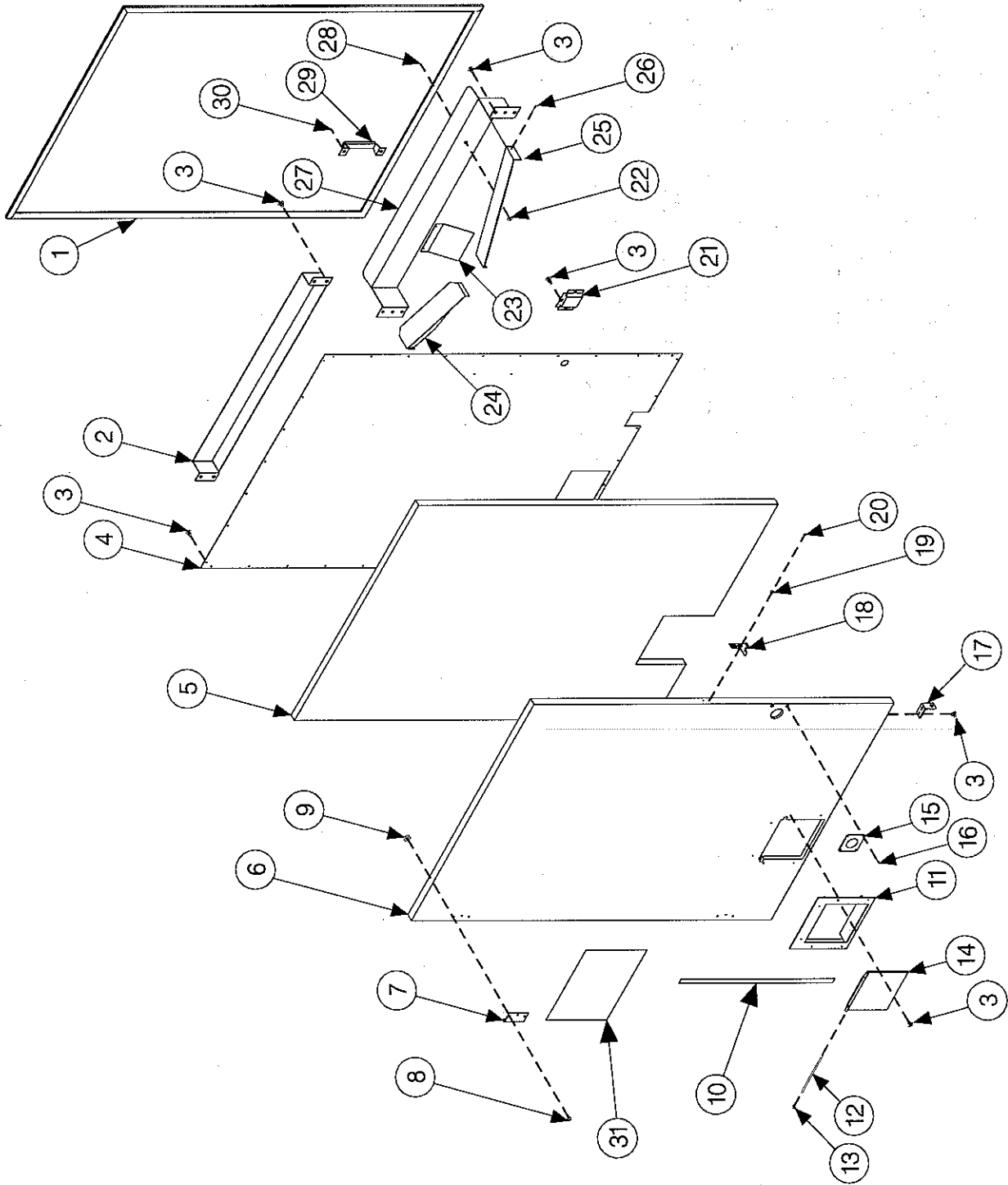
SINGLE SERPENTINE CAN RACK ASSEMBLY



SINGLE SERPENTINE CAN RACK ASSEMBLY

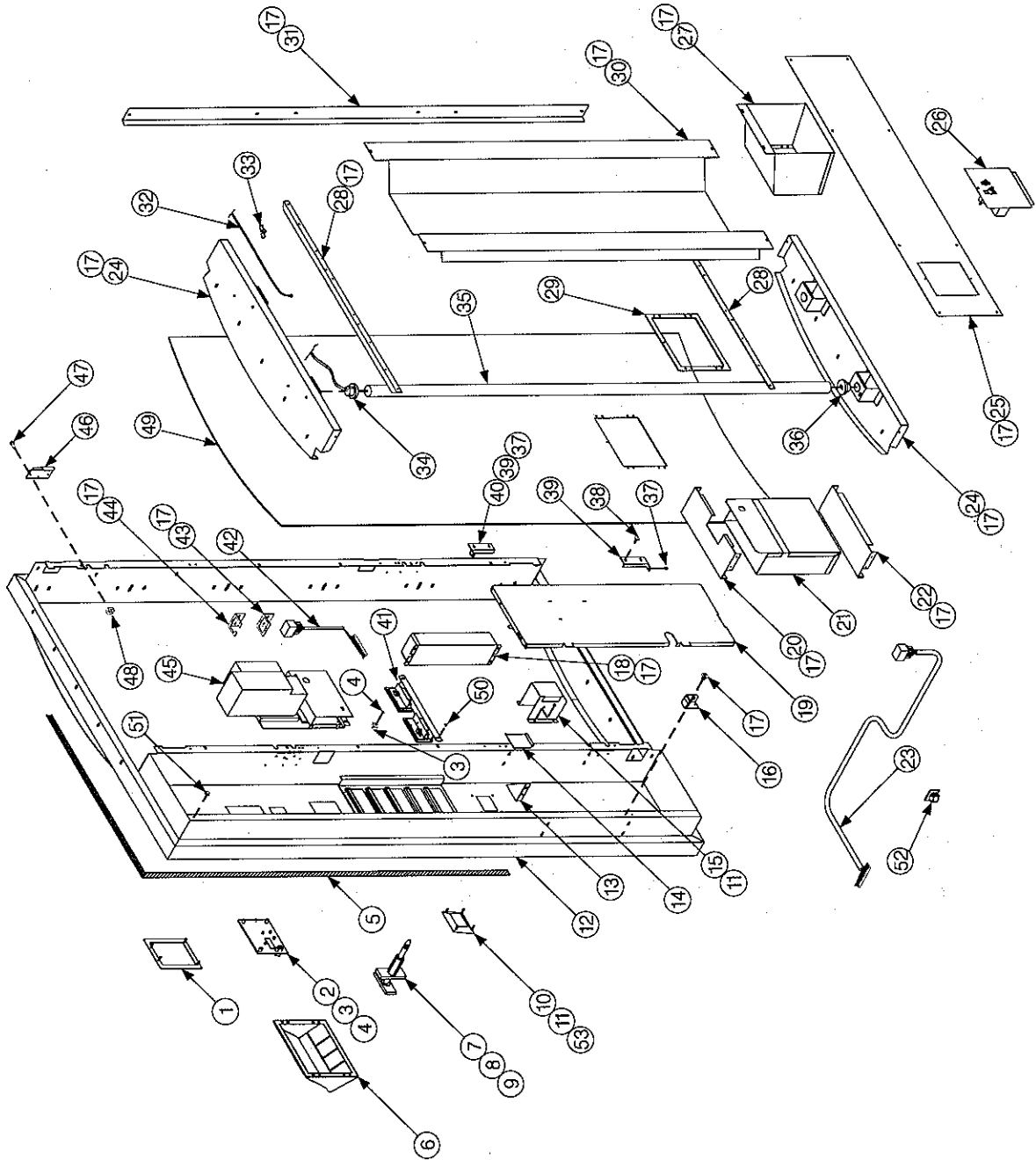
1	8620763-000	4	END PANEL - RIGHT
2	4205645	1	BACK CAN RACK
3	4205646	1	TOP TIE STRIP - CAN GUIDE
4	7332474-002	28	.156 DIA TIE ROD
5	8620763-001	1	END PANEL - LEFT
6	4205653	1	FRONT TIE STRAP
7	4050667	38	POP RIVET - 1/8 X 1/4
8	4033652-001	5	EXTRUDED GROMMET
9	4205644	1	MOTOR COVER
10	4050202	8	#8-18 X 1/2 PHIL HWH TEK
11	4205701	1	CABINET HARNESS
12	4206236	2	TUBE RACK SUPPORT
13	8620730	4	BOTTOM SHELF
14	7331976-000	4	BOTTOM LOOP
15	7331974-000	28	CENTER LOOP
16	7331999-000	28	RETAINER STRIP
17	7331975-000	4	TOP LOOP
18	7331977-000	4	UPPER SHELF
19	7332473-007	2	.125 DIA TIE ROD
20	7332477-000	2	.125 DIA PUSH NUT
21	7332476-000	28	.156 DIA PUSH NUT

INNER DOOR ASSEMBLY



INNER DOOR ASSEMBLY			
ITEM	PART NUMBER	QTY	DESCRIPTION
	1211402	1	INNER DOOR ASSEMBLY
1	8620054	1	DOOR GASKET
2	4202969	2	STORAGE SHELF
3	4050202	45	#8-18 X 1/2 PHIL HWH TEK SCREW
4	4202865	1	INNER DOOR LINER
5	4202868	1	DOOR INSULATION
6	1211365	1	INNER DOOR WELD
7	8620140	2	DOOR HINGE
8	8800406	6	#10-32 X 1/2 PHIL TH W/ETW
9	8800899	6	#10-32 HEX NUT
10	4202255	2 FT.	GASKET - 3/4" W/ADHSV
11	4202758	1	DELIVERY CHUTE
12	7200650-001	1	HINGE PIN
13	7091078-000	2	TUBULAR SPEED NUT
14	7334428-001	1	VEND PORT DOOR
15	4202760	1	LOCK FUNNEL
16	4050667	4	1/8 X 1/4 POP RIVET
17	4205021	1	INNER DOOR LOCK BRACKET
18	4202961	1	INNER DOOR LATCH
19	4030100	2	BUSHING SPACER
20	4050180	2	#8-18 X 1/2 PHIL PH TEK
21	4202882	1	LINE CHANNEL
22	4050511	3	#8-32 NUT - TWO WAY LOCK
	1211401	1	CAN SLIDE ASSY
23	4202857	1	DELIVERY CHUTE
24	4202860	1	CAN SLIDE - SHORT
25	4202859	1	CAN SLIDE - LONG
26	4050665	6	1/8 X 1/4 POP RIVET
27	4202884	1	DELIVERY SUPPORT
28	4050240	3	#8-32 X 3/8 PHIL PH MS
29	8379196	1	DOOR HANDLE
30	8800829	2	#10-24 X 3/8 PHIL TH W/ETW
31	4203748	1	OPERATING INSTRUCTION LABEL

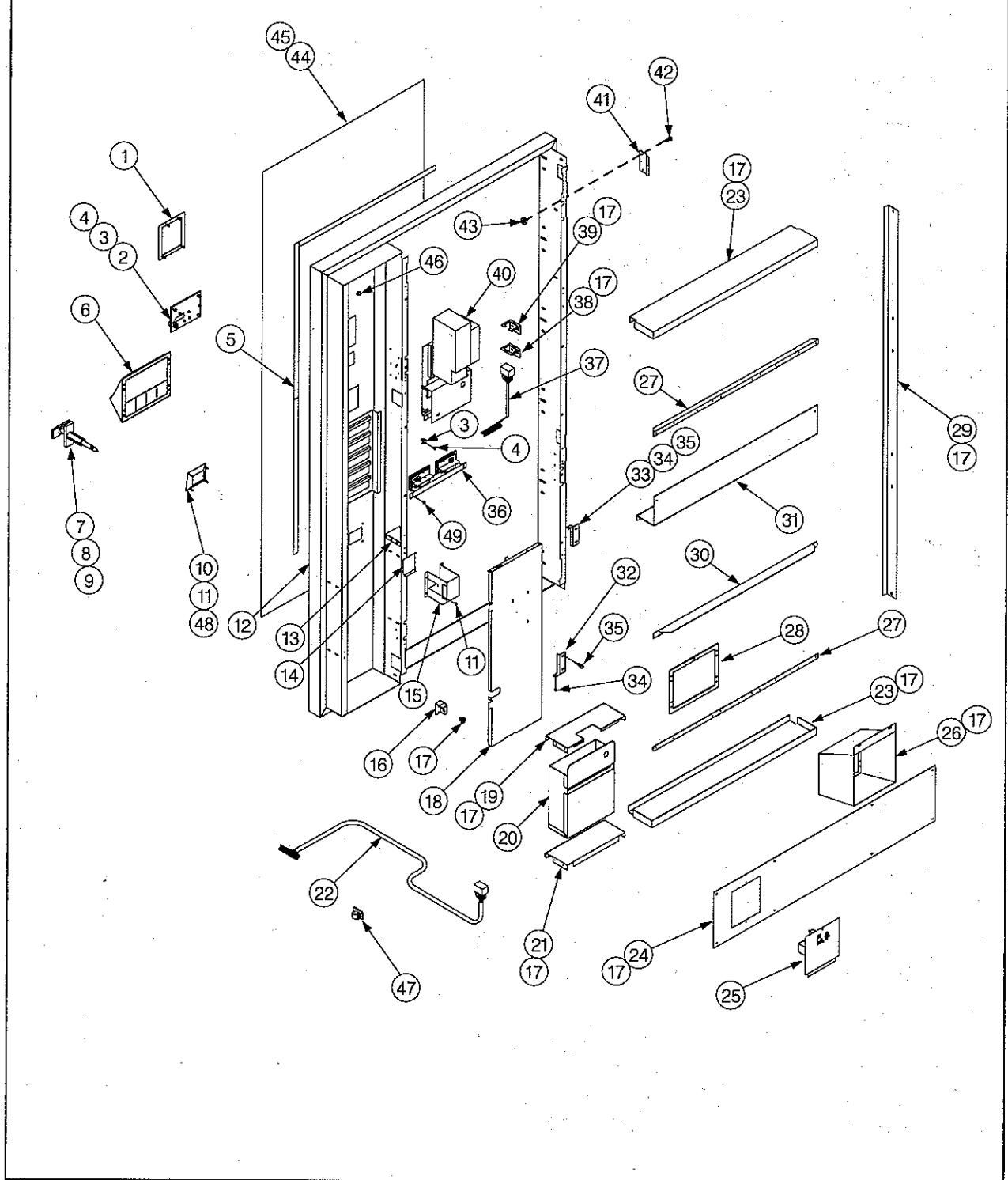
COMPLETE DOOR ASSEMBLY - BUBBLE FRONT



COMPLETE DOOR ASSEMBLY - BUBBLE FRONT

ITEM	PART NUMBER	QTY	DESCRIPTION
1	1210256-000	1	VALIDATOR PLATE WELD
2	1211406	1	COIN INSERT CASTING ASSEMBLY - See Page #17
3	4009751	2	COIN INSERT RETAINER BRACKET
4	4050212	4	#8-32 X 1/4 PHIL PH TYPE "T"
5	4202255	14.5 Ft	GASKET - 1/4 X 3/4 W/ADHV
6	4202207-001	1	DELIVERY TRIM
7	4202927-XXX	1	"T" HANDLE LATCH (Specify Color when ordering)
8	7188598-000	2	#10-32 X 3/8 CARRIAGE BOLT
9	8800952	2	#10-32 HEX NUT W/ETW
10	7334281-XXX	1	CHANGE BEZEL (Specify Color when ordering)
11	7334982-000	4	.156 STUD SELF THREAD NUT
12	1212587-005	1	DOOR WELD
13	4203473	1	"T" HANDLE BRACKET
14	4202068	1	COIN CUP DOOR
15	4202083-002	1	COIN CUP
16	4202908	1	INNER DOOR LIFT
17	4050202	A/R	#8-18 X 1/2 PHIL HWH TEK
18	4202774	1	BALLAST
19	1211400-001	1	MECH DOOR ASSEMBLY - See Page #19
20	4202893	1	COIN BOX BRACKET - TOP
21	1212009	1	COIN BOX WELD - TALL
22	4205126	1	COIN BOX BRACKET - BOTTOM
23	4205699	1	16 SELECT DOOR HARNESS
24	1211370-002	2	INNER DISPLAY WELD
25	4202900	1	LIGHT COVER - BOTTOM
26	1211407	1	TRANSFORMER PLATE ASSEMBLY - See page #20
27	1212024	1	CAN CHUTE WELD
28	4202917	2	TIE BRACKET
29	4202905	1	DELIVERY BACK
30	4202894	1	REFLECTOR
31	4203685	2	PLASTIC HOLDER
32	4202771	1	LAMP HARNESS
33	4060130	5	PRESS CLIP - 1/4"
34	4202881-001	2	LAMP HOLDER TOP
35	4202751	2	LAMP - F64 T12/CW
36	4202881-002	2	LAMP HOLDER - BOTTOM
37	8800636	2	#8-18 X 1/2 PHIL PH TYPE B
38	8800829	4	#10-24 X 3/8 PHIL TH W/ETW
39	4203476	1	MECH DOOR BRACKET - BOTTOM
40	4203476-001	1	MECH DOOR BRACKET - TOP
41		1	SELECTION SWITCH ASSEMBLY - See Page #18
42	4202942	1	COIN MECH HARNESS
43	4202872	1	PLUG BRACKET
44	4202872-001	1	PLUG BRACKET W/NOTCH
45		1	VALIDATOR - CONTROLLER COMPONENTS - See Page #16
46	8620139	2	DOOR HINGE INNER
47	8800406	6	#10-32 X 1/2 PHIL TH W/ETW
48	8800899	6	#10-32 HEX NUT
49	4202744-XXX	1	GRAPHICS SIGN FACE - Specify Design when ordering
50	4050420	16	#8-18 X 1/4 PHIL HWH
51	4202994	2	BUMPER
52	8370959-3	3	LOCKING CLAMP - 3/4"
53	7334984-000	1	CHANGE LABEL

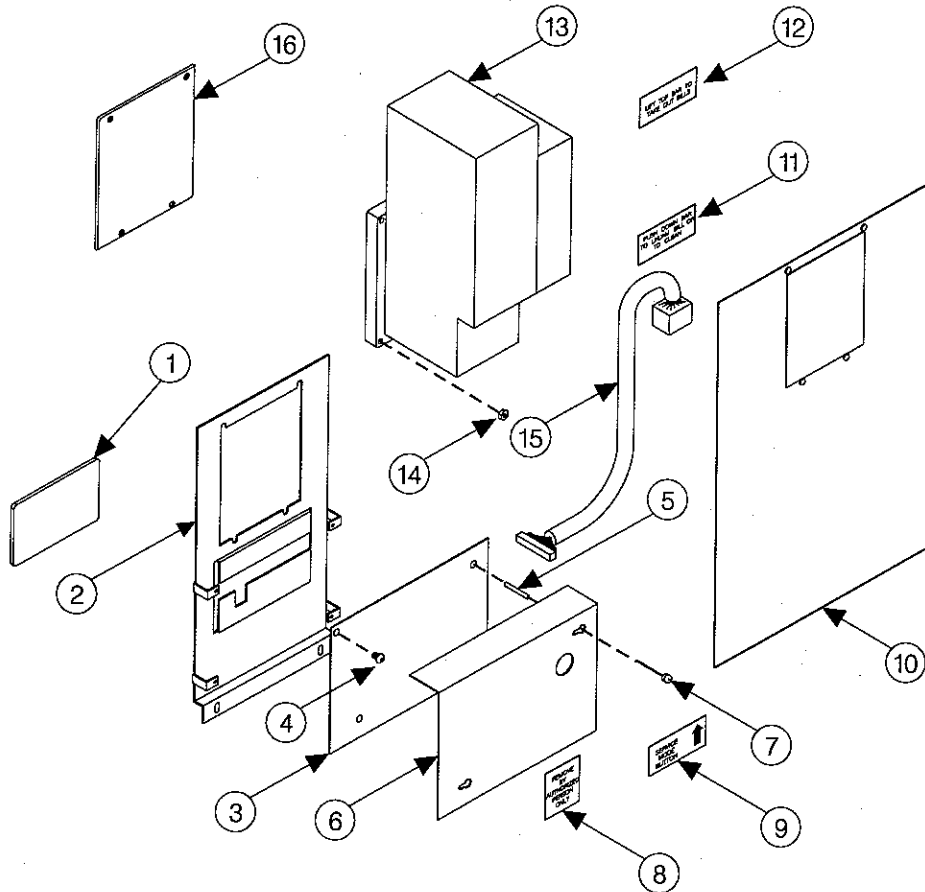
COMPLETE DOOR ASSEMBLY - FLAT FRONT



COMPLETE DOOR ASSEMBLY - FLAT FRONT

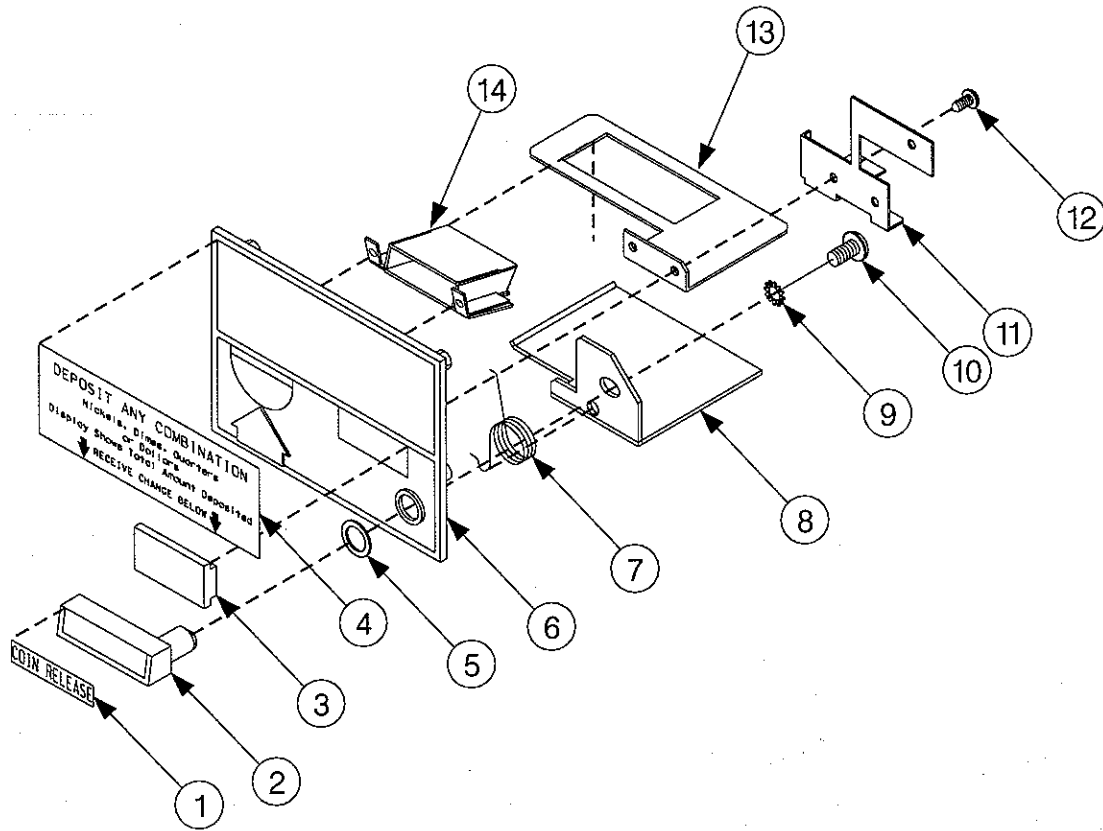
ITEM	PART NUMBER	QTY	DESCRIPTION
1	1210256-000	1	VALIDATOR PLATE WELD
2	1211406	1	COIN INSERT CASTING ASSEMBLY - See Page #17
3	4009751	2	COIN INSERT RETAINER BRACKET
4	4050212	4	#8-32 X 1/4 PHIL PH TYPE "T"
5	4202255	14.5 Ft	GASKET - 1/4 X 3/4 WADHV
6	4202207	1	DELIVERY TRIM
7	4202927-XXX	1	"T" HANDLE LATCH (Specify Color when ordering)
8	7188598-000	2	#10-32 X 3/8 CARRIAGE BOLT
9	8800952	2	#10-32 HEX NUT W/ETW
10	7334281-XXX	1	CHANGE BEZEL (Specify Color when ordering)
11	7334982-000	4	.156 STUD SELF THREAD NUT
12	1212587-001	1	DOOR WELD
13	4203473	1	"T" HANDLE BRACKET
14	4202068	1	COIN CUP DOOR
15	4202083-002	1	COIN CUP
16	4202908	1	INNER DOOR LIFT
17	4050202	47	#8-18 X 1/2 PHIL HWH TEK
18	1211400-001	1	MECH DOOR ASSEMBLY - See Page #19
19	4202893	1	COIN BOX BRACKET - TOP
20	1212009	1	COIN BOX WELD - TALL
21	4205126	1	COIN BOX BRACKET - BOTTOM
22	4205699	1	16 SELECT DOOR HARNESS
23	4205652	2	INNER DISPLAY BRACKET
24	4202900	1	LIGHT COVER - BOTTOM
25	1211407	1	TRANSFORMER PLATE ASSEMBLY - See page #20
26	1212589	1	CAN CHUTE WELD
27	4202917	2	TIE BRACKET
28	4202905	1	DELIVERY BACK
29	4203685-001	2	PLASTIC HOLDER
30	4205643	1	SUPPORT BRACE
31	4205642	2	STORAGE SHELF
32	4203476	1	MECH DOOR BRACKET - BOTTOM
33	4203476-001	1	MECH DOOR BRACKET - TOP
34	8800636	11	#8-18 X 1/2 PHIL PH TYPE B
35	8800829	4	#10-24 X 3/8 PHIL TH W/ETW
36		1	SELECTION SWITCH ASSEMBLY - See Page #18
37	4202942	1	COIN MECH HARNESS
38	4202872	1	PLUG BRACKET
39	4202872-001	1	PLUG BRACKET W/NOTCH
40		1	VALIDATOR - CONTROLLER COMPONENTS - See Page #16
41	8620139	2	DOOR HINGE INNER
42	8800406	6	#10-32 X 1/2 PHIL TH W/ETW
43	8800899	6	#10-32 HEX NUT
44	4205650	1	DISPLAY PANEL
45	4205703-XXX	1	GRAPHICS STYLING - (NOT SHOWN) Specify Design when ordering
46	4202994	2	BUMPER
47	8370959-3	3	LOCKING CLAMP - 3/4"
48	7334984-000	1	CHANGE LABEL
49	4050420	16	#8-18 X 1/4 PHIL HWH

VALIDATOR - CONTROLLER COMPONENTS



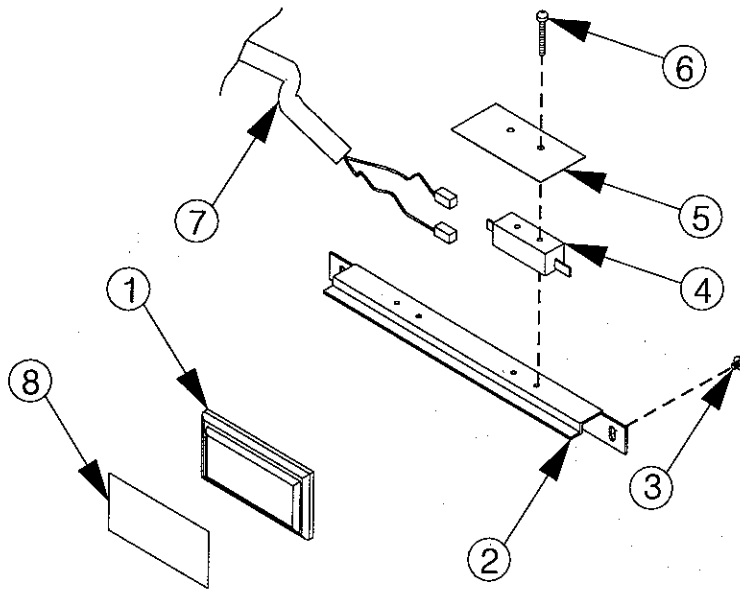
ITEM	PART NUMBER	QTY	DESCRIPTION
1	4202841-001	1	READOUT WINDOW
2	4202904	1	CONTROL BOARD MOUNT
3	4203711	1	CD-16 CONTROLLER
4	8800631	2	#6-20 X 1/2 PHIL PH TYPE B
5	8620704	2	STANDOFF
6	4202973	1	CONTROL BOARD COVER
7	8810020	2	#6-32 X 1 1/4 PHIL HD SCREW
8	4202970	1	COLD CONTROL LABEL
9	4202995	1	SERVICE MODE LABEL
10	4203898	1	CONTROLLER SHIELD
11	4202972	1	VALIDATOR LABEL - BOTTOM
12	4202971	1	VALIDATOR LABEL - TOP
13	4202765-004	1	VALIDATOR - MAKA NB2-15A-400F - 110 VOLT
	4202765-244	1	VALIDATOR - MAKA - 24 VOLT
	4205536-124		VALIDATOR - COINCO
14	8800956	4	#8-32 HEX NUT W/ETW
15	4202938	1	VALIDATOR HARNESS - MAKA - 110 VOLT
	4205833	1	VALIDATOR HARNESS - MAKA - 24 VOLT
	4205834		VALIDATOR HARNESS - COINCO
16	4201907	1	VALIDATOR PLATE (Used When Validator is Removed)

COIN INSERT CASTING ASSEMBLY



ITEM	PART NUMBER	QTY	DESCRIPTION
	1211406	1	COIN INSERT CASTING ASSEMBLY
1	7334370-000	1	COIN RELEASE DECAL
2	7334283-XXX	1	COIN RELEASE HANDLE (Specify Color when ordering)
3	4025725	1	FILLER PLUG
4	4020837-001	1	COIN & DOLLAR INSERT LABEL
5	7100816-000	1	3/8 FLAT NYLON WASHER
6	4060372-XXX	1	COIN INSERT CASTING (Specify Color when ordering)
7	7091076-100	1	TORSION SPRING - 11/32
8	4202892	1	COIN RELEASE LEVER
9	7200717-008	1	#12 INT/EXT LOCK WASHER
10	7200469-020	1	#1/4-28 X 1/2 PHIL TH MS
11	4202056	1	COIN CHUTE RETAINER
12	7200468-005	5	#6-18 X 1/4 PHIL TYPE A
13	4202953	1	COIN CHUTE RETURN
14	1211368	1	COIN CHUTE WELD

PUSH BUTTON & SELECTION ASSEMBLY

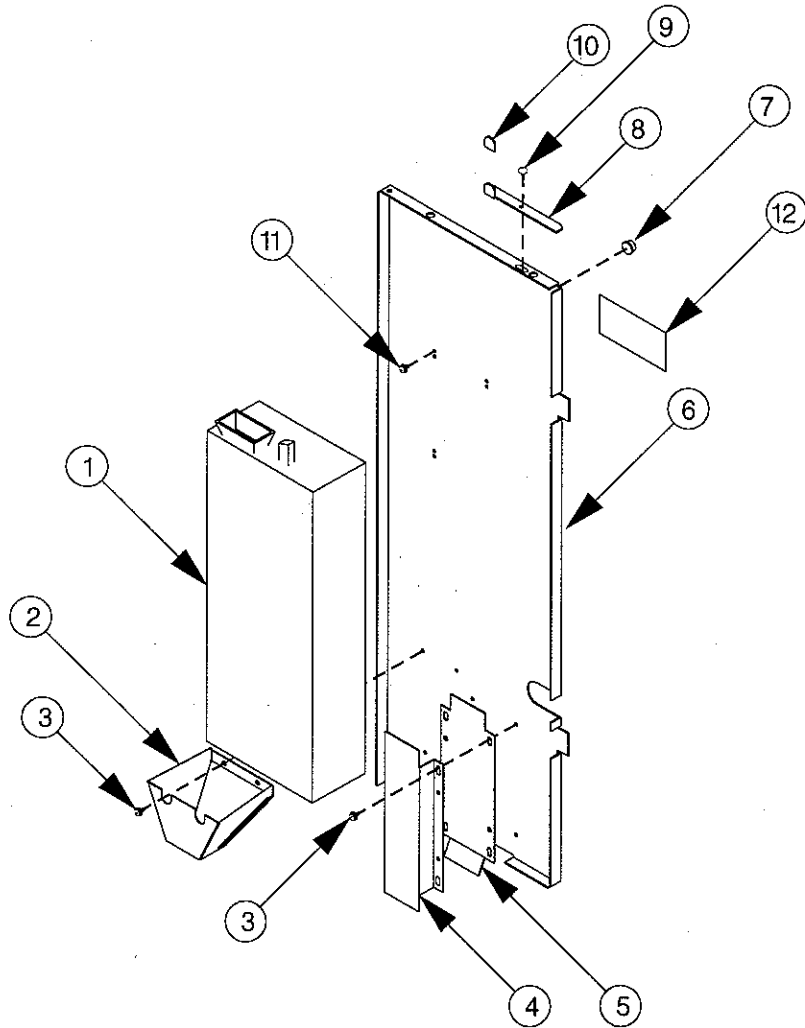


ITEM	PART NUMBER	QTY	DESCRIPTION
1	1211441	10	PUSH BUTTON ASSEMBLY
2	4203293	5	SWITCH BRACKET
3	4050420	10	#8-18 X 1/4 PHIL HWH TEK
4	4203325	10	SWITCH
5	4203324	10	SWITCH SPRING
6	8801390	20	#6-32 X 1 PHIL PH TAPTITE
7	4205700	1	SELECTION HARNESS
8	4203326-XXX	-	FLAVOR TAB (See note below)

NOTE:

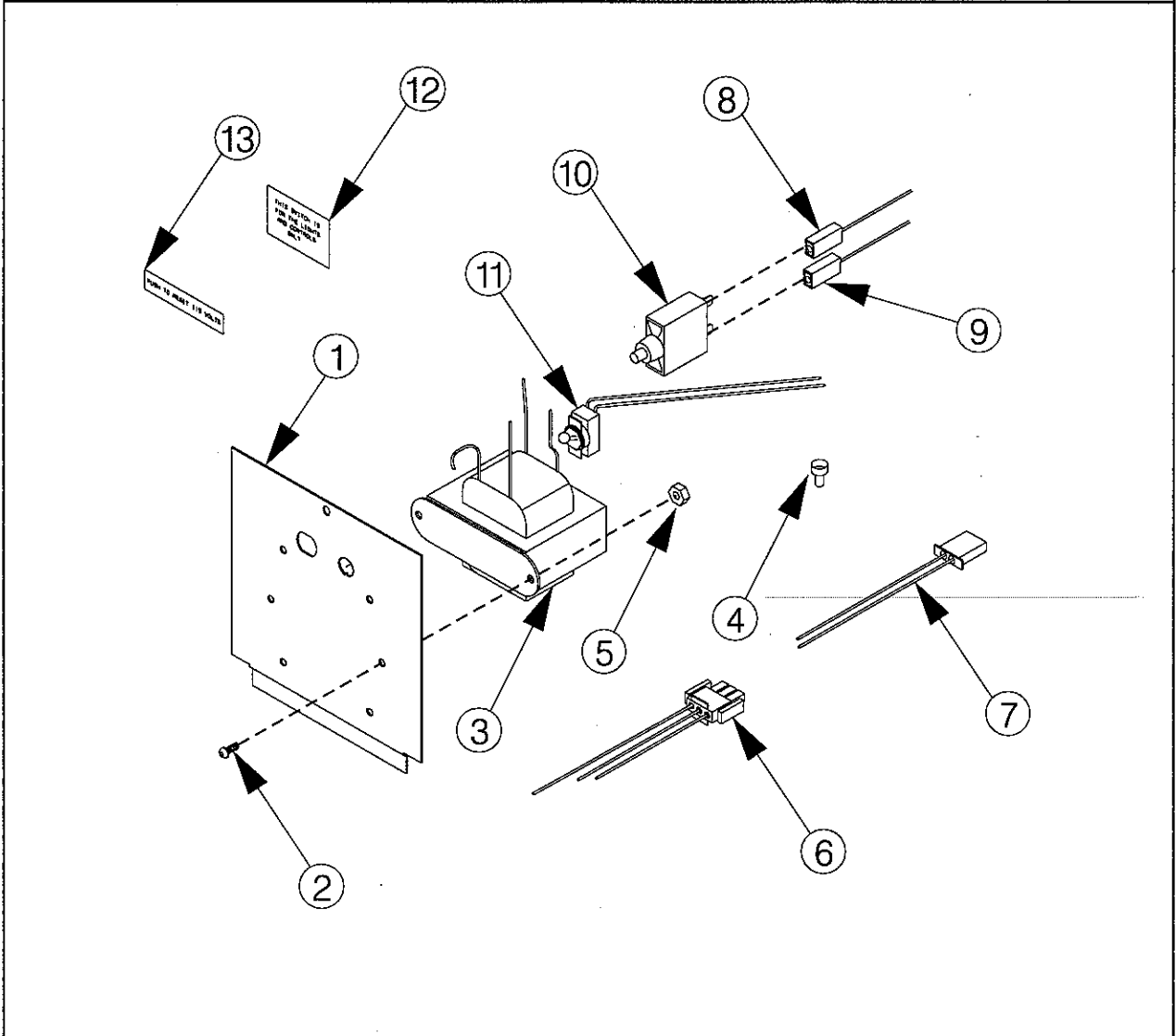
Contact Selectivend for Flavor Tabs Available.

MECH DOOR ASSEMBLY



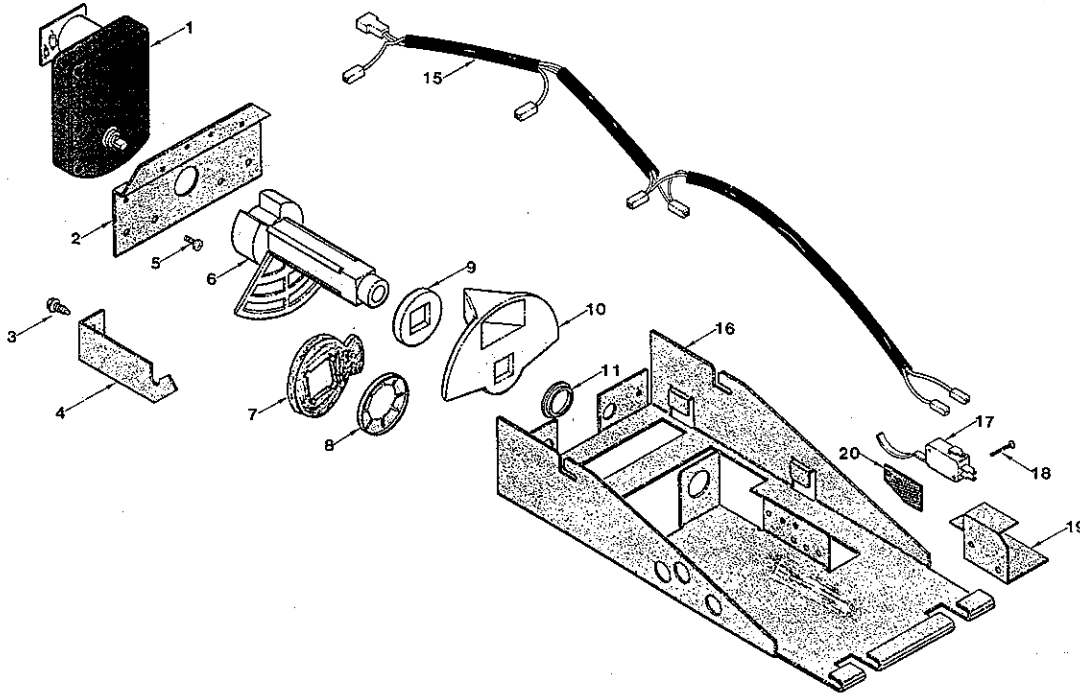
ITEM	PART NUMBER	QTY	DESCRIPTION
	1211400-001	1	MECH DOOR ASSEMBLY
1	4200419	1	COIN CHANGER - COINCO 9302-L
	4200732	1	COIN CHANGER - MARS TRC6010
2	1211374	1	COIN RETURN CHUTE WELD
3	4050420	6	#8-18 X 1/4 PHIL HWH SCREW
4	4202888	1	COIN BOX TUBE
5	4202901	1	COIN KICKER
6	4202898-XXX	1	MECH DOOR (Specify Color)
7	4202994	2	BUMPER
8	4202897	1	MECH DOOR LATCH
9	8800636	1	#8-18 X 1/2 PHIL PH TYPE B
10	8620828	1	4 PIN COVER
11	8800498	3	#8-18 X 3/8 PHIL PH TYPE B
12	8620711	1	POWER SWITCH WARNING LABEL

TRANSFORMER/PLATE ASSEMBLY



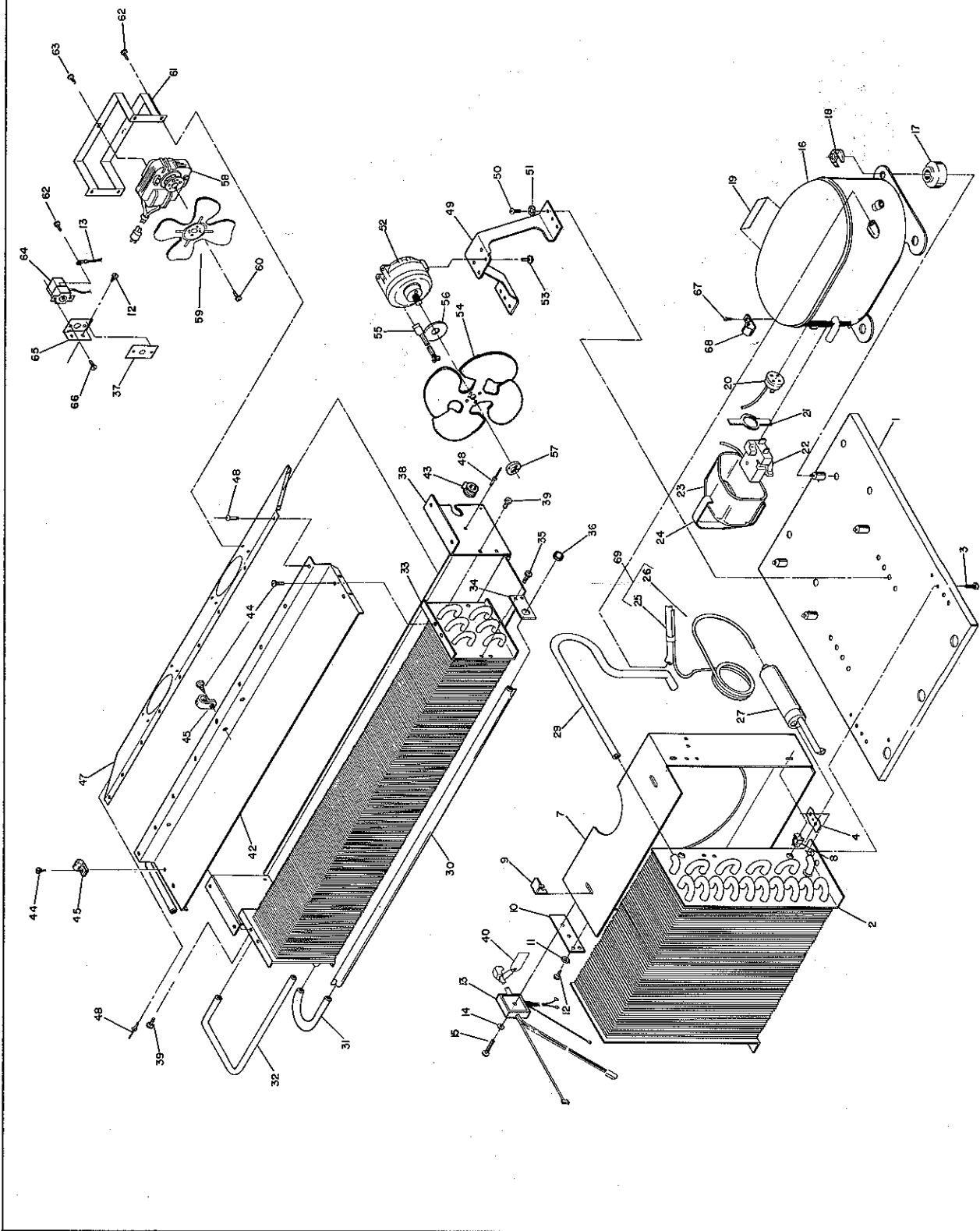
ITEM	PART NUMBER	QTY	DESCRIPTION
	1211407	1	TRANSFORMER PLATE ASSY
1	4202958	1	TRANSFORMER PLATE
2	4050240	2	#8-32 X 3/8 PHIL PH MS
3	1210952	1	TRANSFORMER
4	4033505	6	CLOSED END SPLICE CAP
5	8800956	2	#8-32 HEX NUT W/ETW
6	4202939	1	POWER DISTRIBUTION HARNESS
7	4033975	1	TRANSFORMER HARNESS - 24 V
8	4202940	1	3 AMP CB LINE (ORANGE)
9	4202941	1	3 AMP CB LINE (BLUE)
10	4202092-002	1	CIRCUIT BREAKER - 3 AMP
11	4033511	1	TOGGLE SWITCH
12	4203747	1	DECAL - TOGGLE SWITCH
13	4020568	1	PUSH TO RESET 115V LABEL

COMPLETE EJECTOR MECH ASSEMBLY UPPER & LOWER



ITEM	PART NUMBER	QTY	DESCRIPTION
	1211443	7	UPPER EJECTOR MECH ASSY
	1211444	3	LOWER EJECTOR MECH ASSY
1	4202826	1	MOTOR - EJECTOR MECH
2	4201328	1	MOTOR MOUNT PLATE
3	4050202	3	#8-18 X 1/2 PHIL HWH TEK
4	4201326	1	RETAINING BRACKET
5	8800636	2	#8-18 X 1/2 PHIL PH TYPE B
6	4201162	1	CAM - LARGE
7	4201542	1	AUXILIARY EJECTOR (LOWER EJECTOR MECH ONLY)
8	4201628	1	CAM SHAFT RETAINER (LOWER EJECTOR MECH ONLY)
9	4201160	1	SPACER
10	4201161	1	CAM - SMALL
11	8620714	1	BUSHING - SNAP-IN
15	4202946	1	EJECTOR MECH HARNESS
16	4201327	1	MECH PLATE
17	8620718	1	SOLD OUT SWITCH
18	8801332	2	#4-40 X 3/4 PHIL PH TAPTITE
19	4201561	1	SWITCH COVER
20	4003735	1	SWITCH INSULATOR
21	4202992	1	MOTOR COVER - BOTTOM - LOWER MECH ONLY(NOT SHOWN)

REFRIGERATION CHASSIS ASSEMBLY



REFRIGERATION CHASSIS ASSEMBLY

ITEM	PART NO.	QTY	DESCRIPTION	ITEM	PART NO.	QTY	DESCRIPTION
			REFRIGERATION ASSEMBLY	40	7186633-000	1	TAG - INSTRUCTION
	1212325	1	REFER SYSTEM - 1/3 HP - R-134a	42	7332357-000	1	TOP BAFFLE EVAPORATOR
1	8343839	1	BASE PLATE	43	4033683	1	BUSHING - STRAIN RELIEF
2	7332338-000	1	CONDENSER COIL -1/3 HP	44	7200468-006	1	#6 X 3/8 PHIL ROUND HD SMS
3	7332393-000	4	#1/4-20 X 3/8 SLTD HH MS	45	7090002-704	2	CLAMP, CABLE
4	8916923	2	1/4-20 TWIN SPRING NUT	47	7332351-000	1	EVAPORATOR FAN SHROUD
7	7332405-000	1	SHROUD - CONDENSER FAN	48	4050663	17	POP RIVET
8	4205214	4	CHRISTMAS TREE CLIP	49	8358154-001	1	BRACKET - CONDENSER FAN MTG
9	8336640	2	RETAINING CLIP	50	7332235-000	4	1/4-20 X 7/16 PHIL TH TAPTITE
10	7332413-000	1	HARNES MOUNTING BRACKET	51	4050593	4	1/4 EXT SHAKEPROOF LW
11	4050585	1	#8 EXT SHAKEPROOF LW	52	7332418-000	1	CONDENSER FAN MOTOR 5 WATT
12	7331309-000	1	#8 X 1/2 PHIL. TH TYPE "A" SMS	53	7186154-000	4	#8-36 X 3/8 PHIL PAN HD MS
13	7332502-000	1	SERVICE HARNES	54	7332420-000	1	FAN BLADE
14	4050585	1	#8 EXT SHAKEPROOF LW	55	7332430-000	1	EXTENSION CORD
15	7332392-000	1	#8 x 1 1/2 PHIL PAN HD SMS	56	7187394-000	1	CONDENSER FAN SILENCER
16	4203790	1	COMPRESSOR - 1/3 HP - R-134	57	7186097-000	1	1/4-20 SPRING NUT
17	8323090-1	4	COMPRESSOR GROMMET	NOTE: FOR ITEMS 58, 59 & 60 CHECK MANUFACTURER OF MOTOR BEFORE ORDERING			
18	8343874	4	CLIP - COMPRESSOR MOUNTING	HOWARD MOTOR			
19	7332492-000	1	WARNING DECAL	58	7331297-000	1	FAN MOTOR 4 1/2 WATT
20	8045052-27	1	OVERLOAD	59	7186825-000	1	FAN BLADE
21	8344305	1	SPRING - OVERLOAD	60	7186811-000	2	#3-48 X 3/16 RD HD MS
22	8333894-15	1	STARTING RELAY	FASCO MOTOR			
23	8344308	1	COVER	58	4206461	1	FAN MOTOR 4 1/2 WATT
24	8344306	1	BALE STRAP	59	4205768-001	1	FAN BLADE
25	8801181-004	1	SUCTION LINE	60	8800679	1	#10-32 x 5/16 PHIL PH WETW
26	8902701-2	1	TUBE CAP	61	7330391-000	1	MOTOR MOUNT
27	4205468	1	DRIER	62	4050423	8	#8-18 X 3/8 PHIL PH TYPE AB
29	7332437-000	1	DISCHARGE LINE	63	8800679	2	#10-32 X 5/16 PHIL PH W/ETW TY D
30	7332073-000	1	ACCUMULATOR	64	4034324	1	THERMOSTAT
31	7332422-000	1	TUBE - ACCUM. CONNECTING		4201663	1	TEMP CONTROL KNOB
32	7332423-000	1	TUBE - CAP. CONNECTING		4201664	1	TEMP CONTROL COVER
33	7332400-000	1	COIL - EVAPORATOR	65	7332408-000	1	BRACKET - THERMOSTAT
34	7332384-000	1	BRKET - ACCUM. TUBE SUPT	66	4050234	2	#8-32 X 3/8 PHIL THRSS HD MS
35	4050234	2	#8-32 X 3/8 PHIL TH MS	67	4050202	1	#8-18 X 1/2 PHIL HWH TEK
36	4034157	1	GROMMET	68	7332446-000	1	CLAMP - SUCTION LINE
37	7333084-000	1	DECAL - THERMOSTAT DIAL	69	1102406	1	SUCTION LINE ASSY
38	4205529	1	EVAPORATOR BAFFLE				