

TABLE OF CONTENTS

GENERAL INFORMATION	Page 2
FINAL ASSEMBLY	3
STYLING CONFIGURATION	5
DOOR ASSEMBLY	7
DOOR LINER ASSEMBLY	9
CABINET ASSEMBLY	11
CAN RACK ASSEMBLY	13
EJECTOR MECH ASSEMBLY	15
REFRIGERATION ASSEMBLY	17

GENERAL INFORMATION:

Welcome to VendNet™, we offer you three convenient ways to order replacement parts. If you have any questions when placing your order, please call and we'll be happy to assist you. Please provide the following information when placing your order:

Quantity Required
Part Number
Shipping and Billing Address
Description
Preferred Method of Shipment
Vendor Model Number
Customer Account Number
Serial Number

- **MINIMUM ORDER \$25.00.** You may wish to inquire on prices of parts at the time of your order. If you order less than the minimum, please check our catalog for other parts you may require to bring your order up to the \$25.00 minimum order.
- **OPEN ACCOUNT** with approved credit.
- **MASTER CARD - VISA - C.O.D.**

If you have any questions, please call and we will be happy to assist you.

TO ORDER BY MAIL:

You may request your requirements for parts by providing the necessary information as requested above, and mailing your order to:

VendNet™
P.O. Box 488
165 North 10th Street
Waukee, Iowa 50263-0488

If you have any questions phone or FAX us at VendNet™ Parts and we will be happy to assist you. Order forms are available upon request from VendNet™ Or you may use your own purchase order form.

TO ORDER BY FAX MACHINE: (515) 987-4447

You may Fax your order for replacement parts by providing the necessary information as requested above to VendNet™ By using our fax, (515) 987-4447.

TO ORDER BY E-MAIL:

You may E-MAIL your order for replacement parts by providing the necessary information as requested above to the address:

VENDNET@NETINS.NET

TO ORDER BY PHONE:

In US = 800-833-4411

In Canada = 800-858-4730

Outside US & Canada = 515-274-3641

You may call in your order for replacement parts. Ask for VendNet™ Parts Department. Please provide the necessary information, as requested above, to allow us to provide you with prompt courteous service. If you have any questions, so indicate and we will be happy to assist you.

RETURNS:

RESTOCKING CHARGE 20%. A restocking charge of 20% will apply to merchandise accepted by VendNet™ for return, except items processed as warranty.

All items returned must be accompanied by a "material return tag" clearly stating the reason for return. Returns are to be shipped freight prepaid to VendNet™, 165 North 10th Street, Waukee, Iowa 50263-0488. (Return tags are available upon request from VendNet™.)

If you have any questions regarding returns, please call VendNet™.

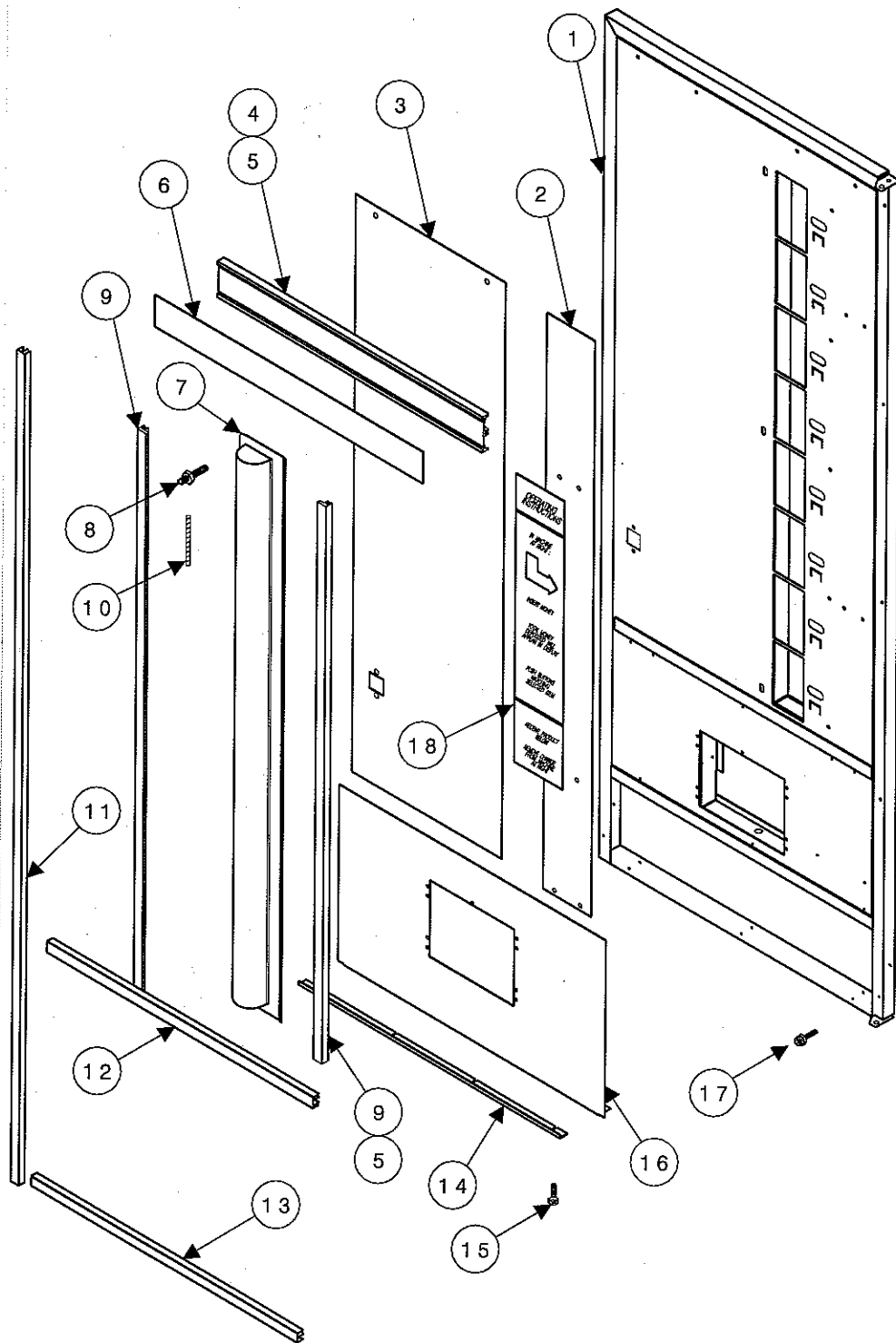
LIMITATION OF LIABILITY:

VendNet™ shall not be liable for any injury, loss or damage, whether direct, incidental or consequential arising out of the use of or the inability to use any part, parts or products sold by VendNet™. The remedies of the buyer set forth herein are exclusive, and the liability of VendNet™. With respect to any contract or sale or anything done in connection herewith, whether in connection therewith, whether in contract, in tort, under any warranty, or otherwise, shall not, except as expressly provided herein, exceed the price of the part, parts or products on which such liability is based. Any statements or representations about the parts or product, other than those contained herein, do not constitute warranties and shall not be relied on by the buyer and shall have no force of effect unless contained in a written agreement signed by officers of VendNet™.

FINAL ASSEMBLY			
ITEM	PART NUMBER	QTY	DESCRIPTION
1	1212791	1	COMMON CABINET (SEE PAGE #11 & 12)
2	1130814-008	1	REFRIGERATION ASSEMBLY, R134A (SEE PAGE #17 & 18)
3	8801388	2	#5/16-18 x 3/4 HWH TYPE D
4	8810013	3	#5/16-18 X 1 CARRIAGE BOLT
5	1212653-004	1	HINGE WELD - TOP
6	8810015	3	#5/16-18 FLANGE LOCK NUT
7	4206608	1	THERMOSTAT HARNESS
8	4034324	1	THERMOSTAT
9	7332408-000	1	BRACKET - THERMOSTAT
10	4202747	1	COLD CONTROL COVER
11	4050234	2	#8-32 X 3/8 PHIL TH MS
12	7333084-000	1	DECAL - THERMOSTAT
13	7200470-008	2	#6-32 X 3/16 PHIL RH TYPE K
14	8800636	3	#8-18 X 1/2 PHIL PH TYPE B
15	4206133	1	KICK PANEL
16	1212653-003	1	HINGE WELD - BOTTOM
17	1210902	1	UPPER EJECTOR MECH - COINCO (SEE PAGE #15 & 16)
17	1212334	1	UPPER EJECTOR MECH - VERS. (SEE PAGE #15 & 16)
18	1210901	1	LOWER EJECTOR MECH - COINCO(SEE PAGE #15 & 16)
18	1212333	1	LOWER EJECTOR MECH - VERS.(SEE PAGE #15 & 16)
19	4050767	1	3/8 NYLON SPACER
20	8810015	3	#5/16-18 FLANGE LOCK NUT
21	4201385	4	#5/16-18 X 1 THRD ROLLER
22	8363374	4	LEG LEVELER
23	1131275	4	LEG WELD
24	8801388	12	#5/16-18 X 3/4 HWH TYPE D
25	1212795	1	CAN RACK ASSEMBLY (SEE PAGE #13 & 14)
26	1212790	1	COMMON DOOR (SEE PAGE #7 & 8)
27	4060330-xxx	1	LOCK CYLINDER WITH KEYS
28	8800638	12	#10-16 X 3/8 PHIL PH TYPE B
29	4202970	1	LABEL - COLD CONTROL
	4200032-000	1	LABEL - MADE IN USA (NOT SHOWN)

PARTS FURNISHED IN SERVICE PACKET (NOT SHOWN)			
	1211234	2	TIE PLATE ASSEMBLY
	4050241	2	#8 X 3/4 PHIL PH TYPE AB
	4202289	1	TIE PLATE
	4206605	1	SERVICE MANUAL
	4206880	1	CAN DISPLAY INSTRUCTIONS
	4205328	2.7 FT	MAGNETIC STRIP
	4207585	1	LABEL - ARROW

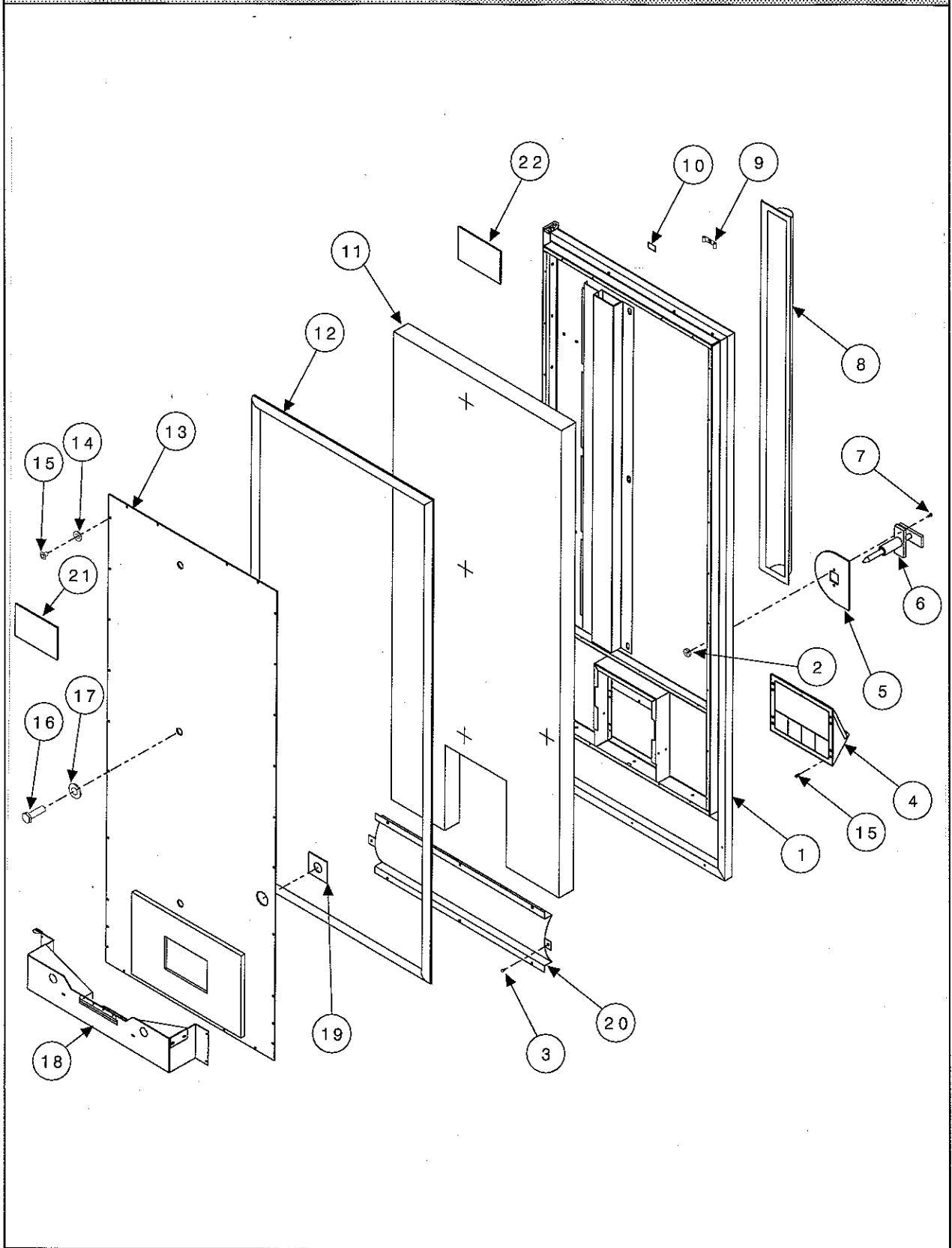
STYLING CONFIGURATION



STYLING CONFIGURATION

ITEM	PART NUMBER	QTY	DESCRIPTION
1	1212797	1	DOOR WELD
2	4206234-003	1	SIDE STYLING PANEL - PRESIDENTIAL WALNUT
	4206234-045	1	SIDE STYLING PANEL - STERLING ROYCE
	4206234-048	1	SIDE STYLING PANEL - PEWTER
	4206234-051	1	SIDE STYLING PANEL - GENESIS
	4206234-054	1	SIDE STYLING PANEL - TRON
3	1212792	1	SIGN FACE INSTALLATION
	4206609-018	1	SIGN FACE (GIRL & GLASS)
	4206655	1	SIGN FACE PANEL
4	4202050-007	1	HEADER TRIM
5	8800638	4	#10-16 X 3/8 PHL PH TYPE "B" (NOT SHOWN)
6	4201119-141	1	UPPER PANEL TRIM - PRESIDENTIAL WALNUT
	4201119-145	1	UPPER PANEL TRIM - STERLING ROYCE
	4201119-145	1	UPPER PANEL TRIM - PEWTER
	4201119-153	1	UPPER PANEL TRIM - GENESIS
	4201119-145	1	UPPER PANEL TRIM - TRON
7	4206592	1	CAN WINDOW
8	4206442	3	TRIM SCREW W/HEX
9	4202049	2	WINDOW TRIM
10	4205328	2.7 FT	MAGNETIC STRIP
11	4205979	2	SNAP-ON TRIM - PRESIDENTIAL WALNUT
	4205979	2	SNAP-ON TRIM - STERLING ROYCE
	4205979-001	2	SNAP-ON TRIM - PEWTER
	4205979-001	2	SNAP-ON TRIM - GENESIS
	4205979-001	2	SNAP-ON TRIM - TRON
12	4206440	1	SNAP-ON TRIM
13	4201117-075	1	SNAP-ON TRIM - PRESIDENTIAL WALNUT
	4201117-075	1	SNAP-ON TRIM - STERLING ROYCE
	4201117-076	1	SNAP-ON TRIM - PEWTER
	4201117-076	1	SNAP-ON TRIM - GENESIS
	4201117-076	1	SNAP-ON TRIM - TRON
14	8620455-005	1	LOWER DOOR TRIM
15	8800636	4	#8-18 X 1/2 PHIL PH TYPE "B"
16	4206599-001	1	OVERLAY PANEL - PRESIDENTIAL WALNUT
	4206599-015	1	OVERLAY PANEL - STERLING ROYCE
	4206599-016	1	OVERLAY PANEL - PEWTER
	4206599-017	1	OVERLAY PANEL - GENESIS
	4206599-018	1	OVERLAY PANEL - TRON
17	4201116	18	10 X 5/16 TRIM HD SCREW
18	4206267	1	INSTRUCTION DECAL

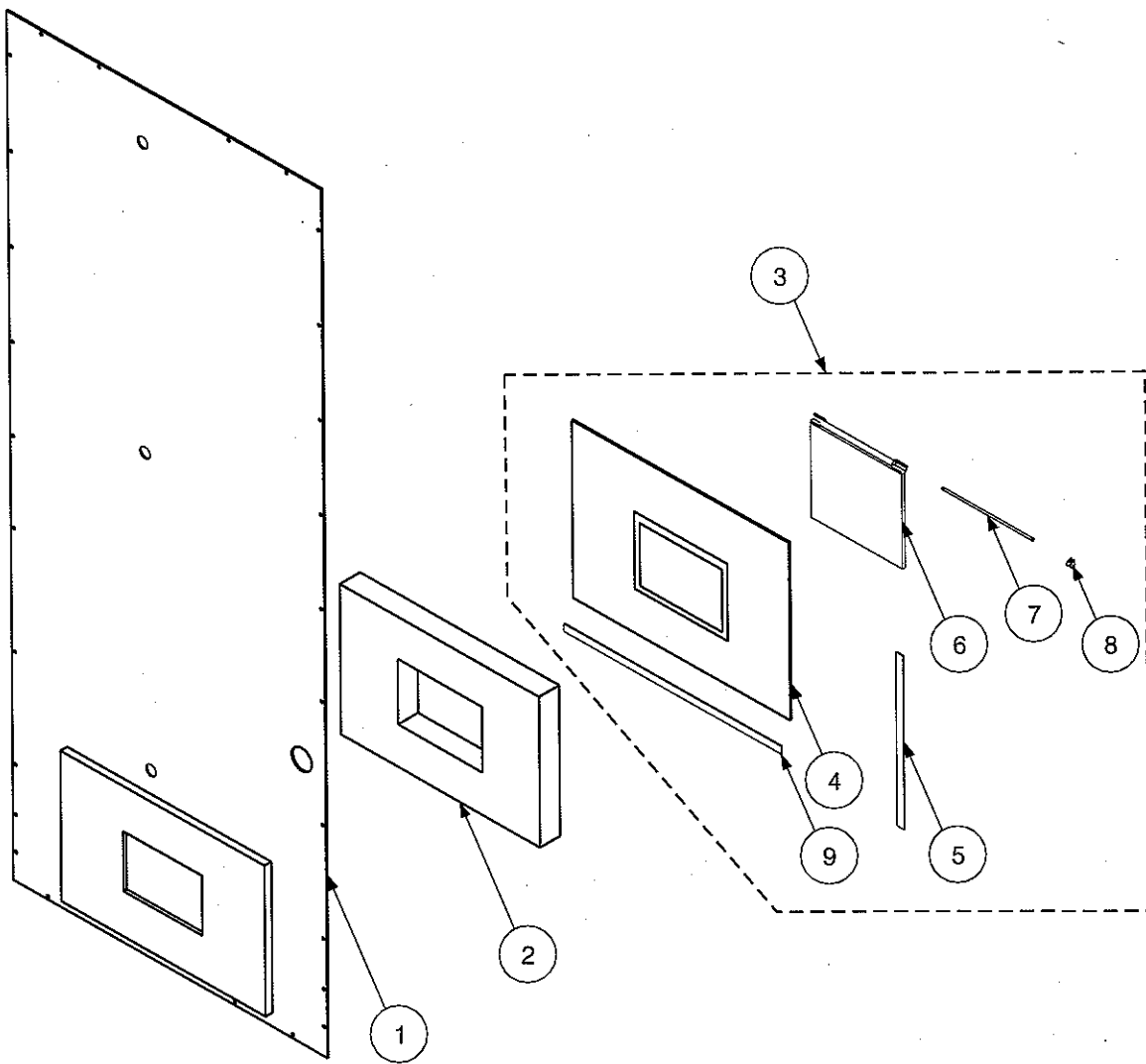
DOOR ASSEMBLY



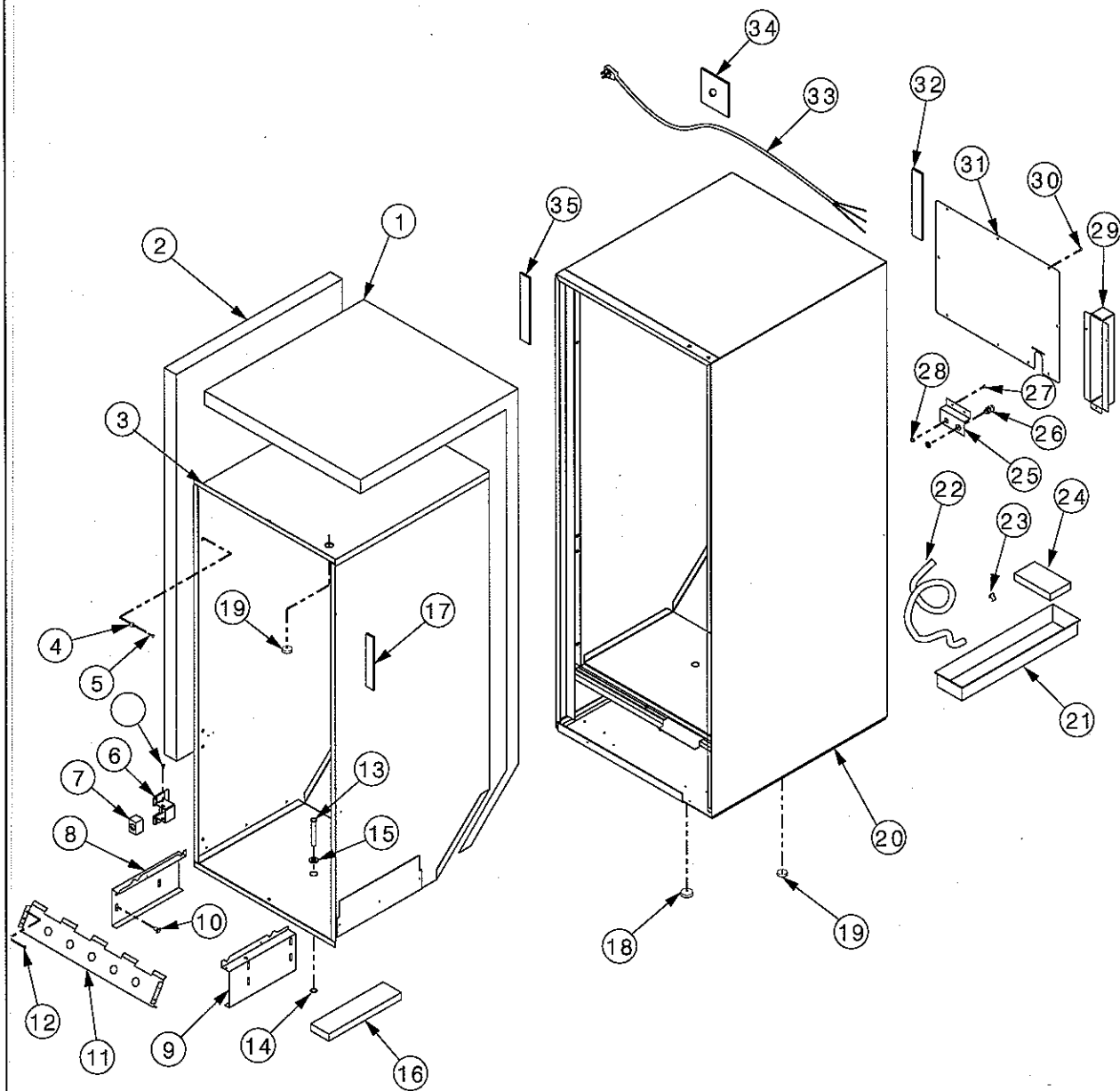
DOOR ASSEMBLY

ITEM	PART NUMBER	QTY	DESCRIPTION
1	1212797	1	DOOR WELD
2	8800952	2	#10-32 HEX NUT W/ETW
3	8800638	8	#10-16 X 3/8 PHIL PH TYPE B
4	4202207	1	DELIVERY TRIM
5	4206602	1	HANDLE GUARD
6	4203486	1	1/4 TURN HANDLE
7	8810000	2	#10-32 X 5/8 PHIL FLAT MS
8	4206592	1	CAN WINDOW
9	4203341	8	PRICE SCROLL
10	4206601	1	INDICATOR LABEL
11	4206610	1	DOOR INSULATION
12	4201203-003	1	DOOR GASKET
13	1212799	1	DOOR LINER ASSEMBLY (SEE PAGE #9 & 10)
14	8801011	28	#8 FLAT WASHER
15	8800636	33	#8-18 X 1/2 PHIL PH TYPE B
16	4206441	3	TRIM NUT - #8-32
17	4206634	3	WASHER - RUBBER
18	1212851	1	CAN CHUTE - RIVET ASSEMBLY
	4206595-001	1	CAN CHUTE - RIGHT SIDE
	4206595-002	1	CAN CHUTE - LEFT SIDE
	4050665	10	1/8 X 1/4 POP RIVET
	4206926	1	CHUTE - CENTER
	4206928	1	DELIVERY CHUTE BRACKET
19	1211074	1	SEAL ASSEMBLY - DOOR LOCK
20	4206620	1	SCREEN
21	4206921	1	CLEANING DECAL
22	4206939	1	TILT LABEL
	4201365	1	WARNING LABEL (NOT SHOWN)

DOOR LINER ASSEMBLY



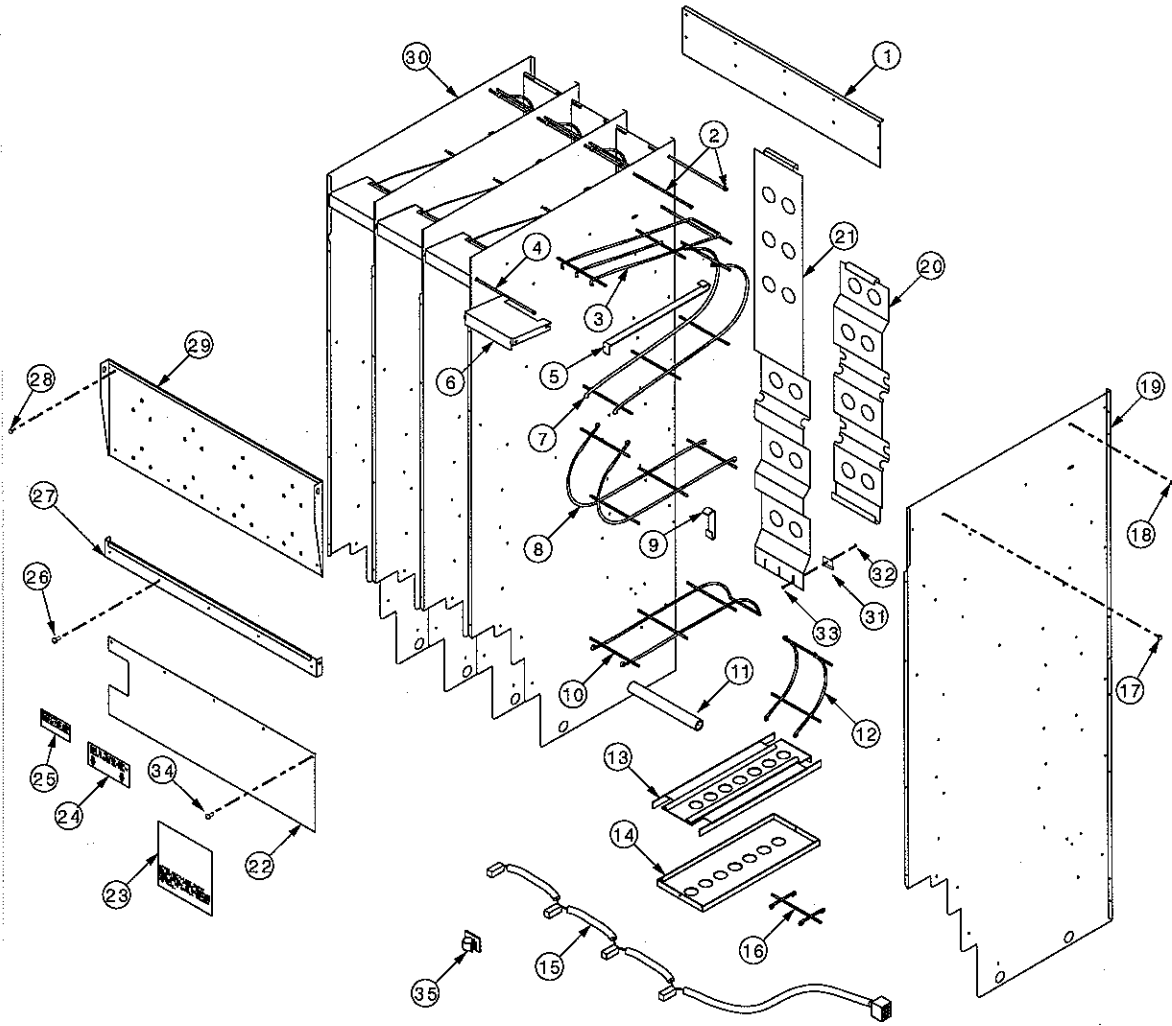
CABINET ASSEMBLY



CABINET ASSEMBLY

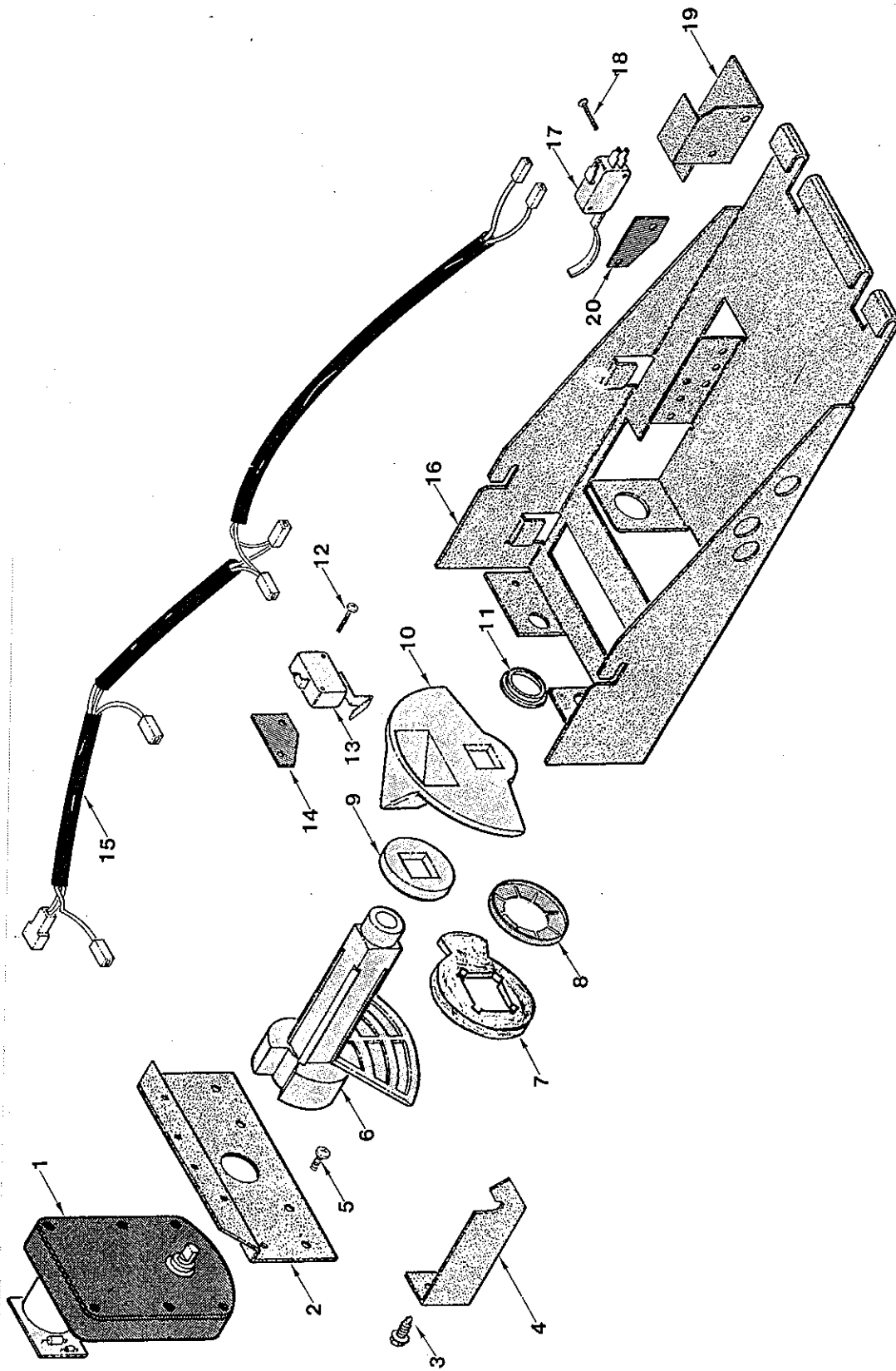
ITEM	PART NUMBER	QTY	DESCRIPTION
1	8382689-001	1	INSULATION
2	8382690-001	2	INSULATION - SIDES
3	1212626	1	CABINET LINER WELD
4	4202189	10	SNAP IN PLASTIC - 1/4
5	7200468-001	10	#10-12 x 1 PHIL TH TYPE A
6	1212631-001	1	LOCK BRACKET WELD
7	4203634	1	SPLIT NUT ASSEMBLY
8	4202345	1	CAN RACK SUPPORT - LEFT
9	4202345-001	1	CAN RACK SUPPORT - RIGHT
10	4201239	8	1/4-20 X 3/4 HWH TAPTITE
11	4206597	1	DELIVERY SHELF
12	4050423	6	#8-18 X 3/8 PHIL PH TYPE AB
13	7100042-000	1	DRAIN TUBE
14	4202284	1	.5 STUD DIA. PUSH NUT
15	4050608	1	1/2 FLAT WASHER
16	4201398	2	WOOD LINER SUPPORT
17	7960247-000	12 ft	"A" FRAME GASKET
18	7250135-000	1	HOLE PLUG - 1 3/8"
19	7250135-002	2	HOLE PLUG - 1"
20	1212625	1	CABINET WELD
21	7200623-000	1	DRAIN PAN
22	4025410-500	3 ft	MAYON TUBING
23	7200341-000	1	TUBE CLIP
24	4202034	1	DRAIN PAN SPONGE
25	4206632	1	UMBILICAL BRACKET
26	4201317-001	1	HEXCO 3216 STRAIN RELIEF
27	8800638	5	#10-16 X 3/8 PHIL PH TYPE B
28	4033683	1	CORD STRAIN RELIEF BUSHING
29	4205901	1	SUCTION LINE COVER
30	8800622	9	#10-16 X 1/2 PHIL PH TYPE AB
31	4205900	1	BACK COVER
32	4060006-500	16 ft	FOAM TAPE, 1/4" X 1/2"
33	4033631-005	1	POWER CABLE
34	4201333-002	1	COVER PLATE
35	4202278	13.6 ft	1.562 W X 50" FOAM TAPE

CAN RACK ASSEMBLY



CAN RACK ASSEMBLY			
ITEM	PART NUMBER	QTY	DESCRIPTION
1	4205646	2	CAN GUIDE/TOP TIE STRAP
2	7332474-002	44	TIE ROD - .156" DIA.
3	7331977-000	4	SHELF - UPPER
4	7332473-007	2	TIE ROD - .125" DIA.
5	7331999-000	24	RETAINER STRIP
6	4206600	4	RACK EXTENSION
7	7331974-002	4	CENTER LOOP
8	7331974-000	16	CENTER LOOP - CAN RACK
9	4201551	8	HANGER STRIP
10	7331975-000	8	TOP LOOP - CAN RACK
11	8620197-004	2	TUBE - RACK (21 3/4")
12	4201534	4	BOTTOM LOOP - CAN RACK
13	4201560	4	BOTTOM SHELF
14	4201558	4	BOTTOM SHELF - INSERT
15	4206606	1	CAN RACK HARNESS (COINCO)
	4206606-001	1	CAN RACK HARNESS (VERSATILE)
16	4201535	4	WIRE SHELF - BOTTOM
17	7332477-000	2	.125 STUD DIA. PUSH NUT
18	7332476-000	44	.156 STUD DIA. PUSH NUT
19	4206604-001	1	PARTITION PANEL
20	4201548	4	CAN DEFLECTOR PLATE - SHORT
21	4201549	4	CAN DEFLECTOR PLATE - LONG
22	4206603	1	MOTOR COVER
23	4201613	1	REFILL - SEL LABEL
24	4201612	1	PRE-COOL INSTRUCTION LABEL
25	4206235	1	COOLING LABEL
26	4050665	27	POP RIVET - 1/8 X 1/4
27	4206594	1	LOWER TIE STRAP
28	8800636	5	8-18 X 1/2 PHIL PH TYPE B
29	4206317	1	FRONT TIE STRAP
30	4206604-002	4	PARTITION PANEL
31	4201552	4	DEFLECTOR PLATE RETAINER
32	4050240	4	#8-32 X 3/8 PHIL PH MS
33	8800956	4	#8-32 HEX NUT W/ETW
34	4050202	4	#8-18 X 1/2 PHIL HWH TEK
35	8370959-3	3	CLAMP
	1210902	4	UPPER EJECTOR MECH (SEE PAGE #15 & 16)
	1212333	4	UPPER EJECTOR MECH (SEE PAGE #15 & 16)
	1210901	4	LOWER EJECTOR MECH (SEE PAGE #15 & 16)
	1212334	4	LOWER EJECTOR MECH (SEE PAGE #15 & 16)
	4033712	1	CABLE TIE (NOT SHOWN)
	4206638	3	RACK LOAD LABEL (NOT SHOWN)

EJECTOR MECH ASSEMBLY

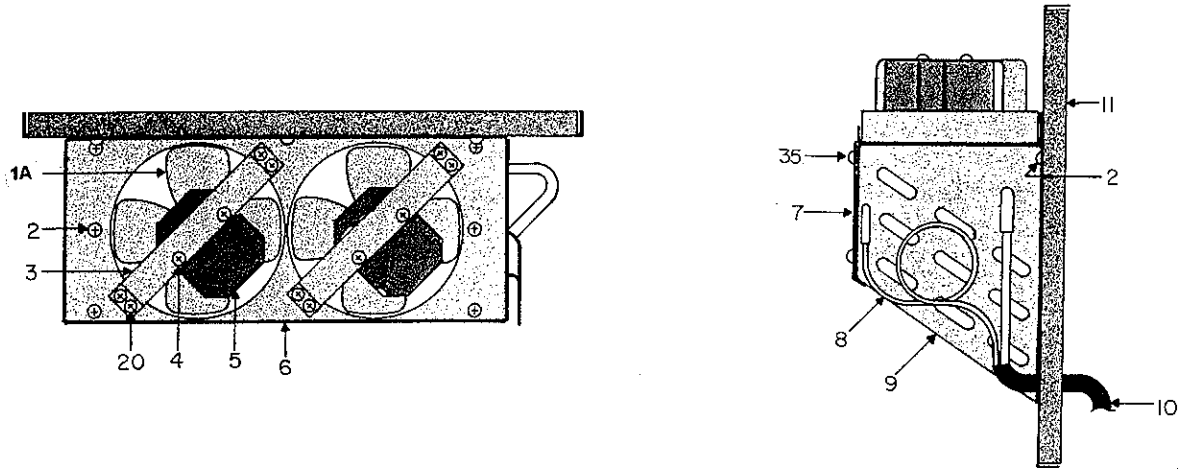


EJECTOR MECH ASSEMBLY

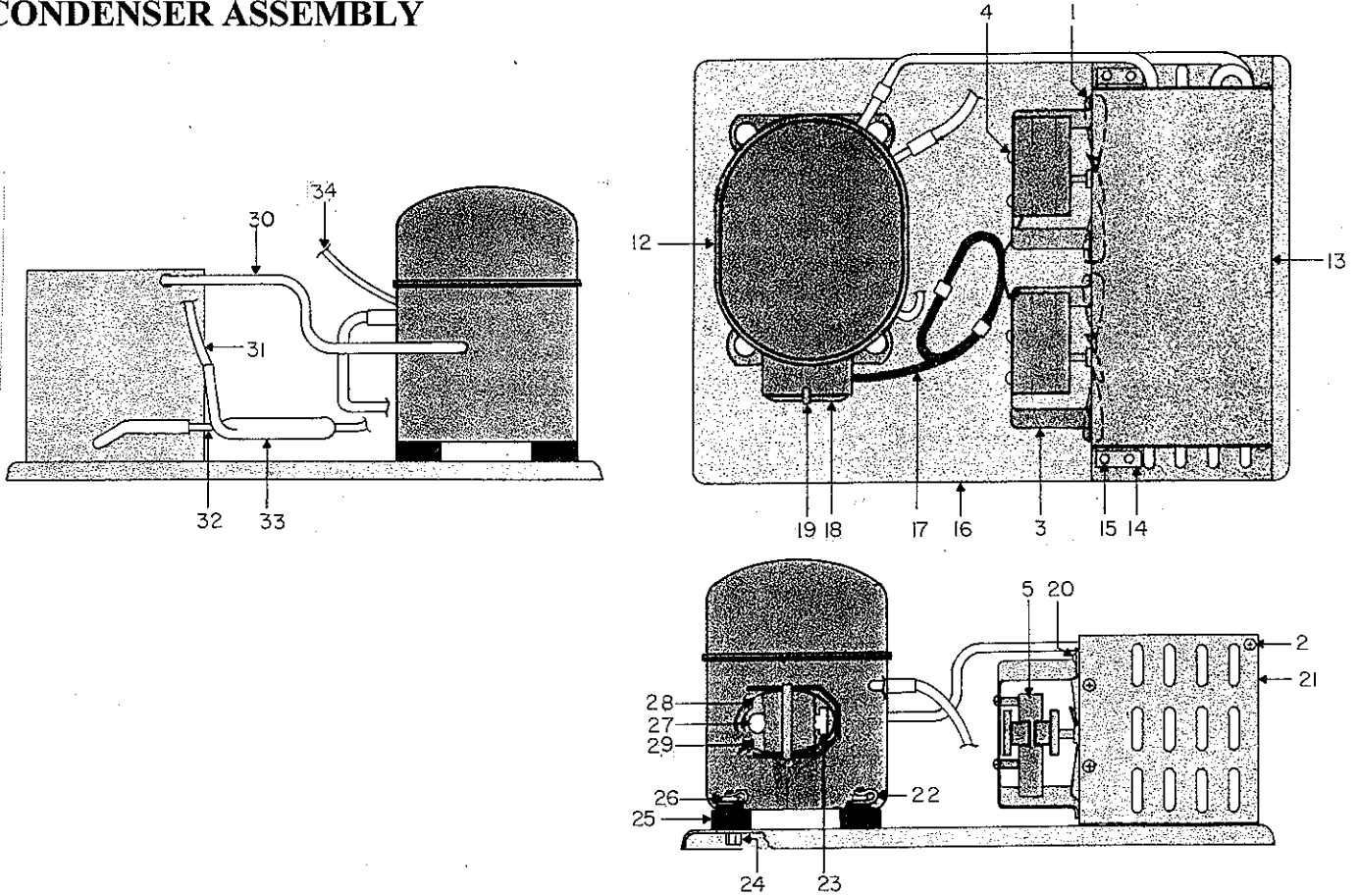
ITEM	PART NUMBER	QTY	DESCRIPTION
	1212333	4	LOWER EJECTOR MECH ASSEMBLY (VERSATILE)
	1212334	4	UPPER EJECTOR MECH ASSEMBLY (VERSATILE)
	1210902	4	UPPER EJECTOR MECH ASSEMBLY (COINCO)
	1210901	4	LOWER EJECTOR MECH ASSEMBLY (COINCO)
1	4202826	1	MOTOR - EJECTOR MECH (VERSATILE)
	4201533	1	MOTOR - EJECTOR MECH (COINCO)
2	4201328	1	MOTOR MOUNT PLATE
3	4050202	3	#8-18 X 1/2 PHIL HWH TEK
4	4201326	1	RETAINING BRACKET
5	8800636	4	#8-18 X 1/2 PHIL PH TYPE B
6	4201162	1	CAM - LARGE
7	4201542	1	AUXILIARY EJECTOR (LOWER EJECT MECH ONLY)
8	4201628	1	CAM SHAFT RETAINER(LOWER EJECT MECH ONLY)
9	4201160	1	SPACER
10	4201161	1	CAM - SMALL
11	8620714	1	BUSHING - SNAP-IN
12	7200470-004	2	#4-40 X 5/8 PHIL PH TYPE T
13	8620718-001	1	OVERRIDE SWITCH
14	4003735	1	SWITCH INSULATOR
15	4201636	1	EJECTOR MECH HARNESS (USED WITH 4201533)
	4202946	1	EJECTOR MECH HARNESS (USED WITH 4202826)
16	4201327	1	MECH PLATE
17	8620718	1	SOLD OUT SWITCH
18	8801332	2	#4-40 X 3/4 PHIL PH TAPTITE
19	4201561	1	SWITCH COVER
20	4003735	1	SWITCH INSULATOR
21	4202992	1	MOTOR COVER (LOWER EJECT MECH ONLY)
22	4202255	.25 ft	GASKET (LOWER EJECT MECH ONLY)

REFRIGERATION SYSTEM

EVAPORATOR ASSEMBLY



CONDENSER ASSEMBLY



REFRIGERATION SYSTEM

ITEM	PART NUMBER	QTY	DESCRIPTION
	1130814-008	1	REFRIGERATION SYSTEM - R134A - 115 VOLT
1	4206498	2	FAN BLADE - ALUMINUM
1A	4206499	2	FAN BLADE - ALUMINUM
2	8801204	14	#10-16 X 3/8 PHIL TH W/ETW
3	8382579	4	FAN BRACKET
4	8810016	8	#10-32 X 5/16 PHIL PH W/ETW
5	4206461	4	MOTOR -EVAPORATOR FAN
6	8382581	1	ORIFICE - EVAPORATOR FAN
7	8382580	1	COVER - FRONT
8	1130657	1	HEATER EXCHANGE ASSEMBLY
9	8382295	1	EVAPORATOR
10	4206366-500	3 FT	INSULATION TUBING
11	1130824	1	MOUNTING BRACKET WELD ASSEMBLY
12	4203789	1	COMPRESSOR - 1/4 H.P
13	8382293	1	SHROUD - CONDENSER FAN
14	8916923	2	1/4-20 TWIN SPRING NUT
15	7332393-000	4	1/4-20 X 3/8 SLTD HH MS
16	8343839	1	BASE PLATE - REFRIGERATION
17	4206607	1	REFRIGERATION HARNESS
18	8344308	1	COVER - TERMINAL
19	8344306	1	BALE STRAP
20	8801204	21	#10-16 X 3/8 PHIL TH W/ETW
21	8382294	1	CONDENSER
22	8343874	4	SPRING CLIP
23	8333894-8	1	STARTING RELAY
24	8800949	4	#3/8-16 HEX NUT W/ETW
25	8323090-1	4	GROMMET - COMPRESSOR
26	8343872	4	MOUNTING STUD
27	8045052-12	1	OVERLOAD PROTECTOR
28	8344305	1	SPRING - OVERLOAD
29	7200470-008	2	#6-32 X 3/16 PHIL RH TYPE K
30	8382297	1	LINE - DISCHARGE
31	8801180-003	2	1/4 COPPER TUBING - 6" LONG
32	8801180-002	1	1/4 COPPER TUBING - 3" LONG
33	4205468	1	DRIER - BONDED CORE
34	8801180-007	1	1/4 COPPER TUBING 8-1/4" LONG
35	4050663	4	RIVET
	4033704	3	CABLE TIE (NOT SHOWN)
	4033712	1	CABLE TIE 7 3/8" (NOT SHOWN)
	7332492-000	1	DECAL-WARNING LABEL (NOT SHOWN)