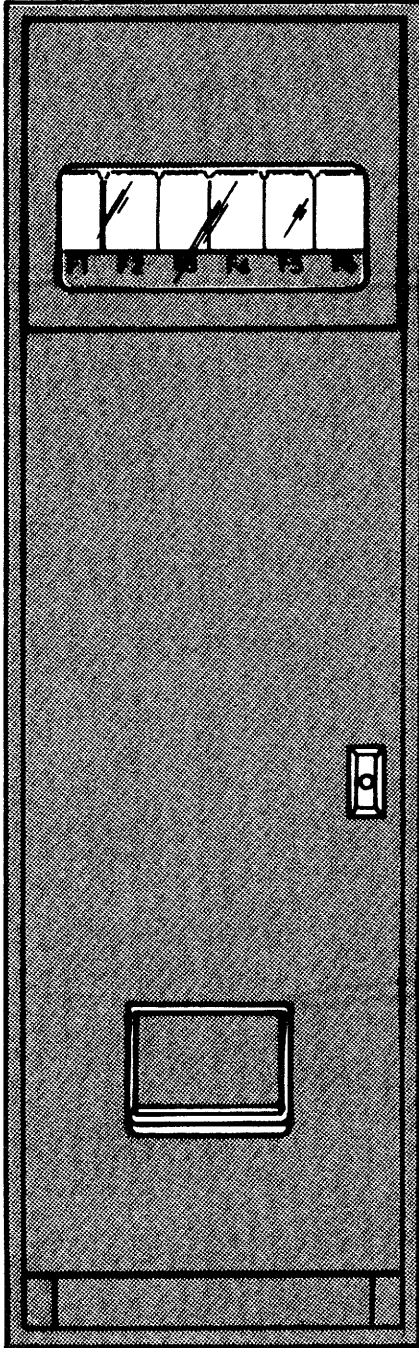


CD6 CAN DRINK VENDOR



SERVICE MANUAL

P/N 4202335

TABLE OF CONTENTS

INTRODUCTION	1
SPECIFICATIONS	1
INSTALLATION	2-3
Grounding & Electrical	2
Installation	2
Loading	3
PRICE SETTINGS	4
Price Setting	4
Copy Price	4
FUNCTIONS & COMPONENTS	4-7
Upper & Lower Ejector Mechanisms	4
Vend Motor	5
Large cam	5
Small cam	5
Spacer	5
Override switch	5
Motor switch	5
Sold-out switch	5
Upper Ejector Removal	6
Lower Ejector Removal	6
Refrigeration Unit	7
TROUBLE SHOOTING	8
SCHEMATIC	9

The contents of this manual contains instructions, service and installation guidelines pertaining to the CD6 - Can Drink Vendor.

The CD6 - Can Drink Vendor is a six (6) select Can Vendor that must be connected to a GF 19 Glassfront. The CD6 - Can Drink Vendor is a "satellite" type machine that utilizes the electronics and control systems of the GF 19 Glassfront for all vend functions, credit accumulation, pricing and other vend-related requirements.

Money must be inserted into the "host" GF 19 Glassfront. Selections are made at the GF 19 Glassfront key pad and all programming is done through the GF 19 Glassfront Controller. Connecting a CD6 - Can Drink Vendor to the GF 19 Glassfront electronics will allow the owner/operator to apply the same features available in the GF 19 Glassfront to the CD6 - Can Drink Vendor. The "software" of the GF 19 Glassfront Controller will treat the CD6 - Can Drink Vendor as an added shelf or tray of the GF 19 Glassfront.

The six selections can be priced individually, with vend prices ranging from \$.05 to \$12.75 in five-cent increments. Individual vend mechanisms for each selection are designed to allow vending standard 10-ounce and 12-ounce cans. Cans are stored in "serpentine" type storage areas, easily loaded, and are routed to the 24 volt motor-driven ejector mechanisms. The ejector mechanism will consist of a "dual" cam arrangement. The front cam will hold the product to be vended at the "vend position," releasing it to the delivery area during the vend cycle. The rear cam will be advanced into the path of the cans during the vend cycle, holding them back until the vend cycle is complete. At the end of the vend cycle, the next can will be released to the "vend position."

Should you have any questions pertaining to information in this manual, replacement parts, or the operation of the vendor you should contact your local distributor or Selectivend Service, 165 N. 10th, Waukegan, Ia. 50263-0448, (515) 274-3641.

SPECIFICATIONS

GENERAL SPECIFICATIONS:

Height	68 Inches
Width	21 Inches
Depth	30-1/8 Inches
Weight	360 Pounds

ELECTRICAL:

MODEL 3031	
Power Requirement	115 VAC 60 Hz
Starting Amps	7.0 Amps
Running Amps	3.5 Amps

MODEL 3032	
Power Requirement	220/240 VAC 50 Hz
Starting Amps	3.6 Amps
Running Amps	1.9 Amps

CAPACITY:

Selections	6 Select
Cans in Vend Area	204 12-oz.

PRICING:

6 Prices	\$.05 to \$12.75
----------	------------------

COINAGE:

Shared with "host" unit

REFRIGERATION:

Unit size	1/4 HP.
-----------	---------

INSTALLATION

THE CD6-CAN DRINK VENDOR MUST BE CONNECTED TO A GF 19 GLASSFRONT. THE STEPS OUTLINED ON THE FOLLOWING PAGES ARE THE BASIC INSTRUCTIONS FOR INSTALLING THE CD6-CAN DRINK. REFER TO THESE INSTRUCTIONS ALONG WITH THE WIRING DIAGRAMS DURING INSTALLATION.

GROUNDING & ELECTRICAL

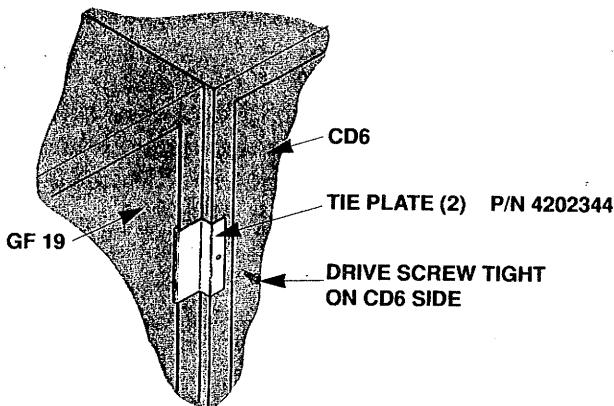
Consult local, state and federal codes and regulations before installation of the vendor.

For proper operation of any equipment utilizing electronic-controlled components, it is recommended that the equipment be placed on an isolated or individual circuit. The circuit should be a minimum 15 Amp, 115 Volt AC, 60 Hz, properly polarized and grounded.

If you find that the receptacle is not grounded, or polarized, you should contact a licensed electrician to correctly polarize and/or ground the receptacle to ensure safe operation.

INSTALLATION INSTRUCTIONS

1. Unpack the CD6-Can Drink Vendor in a manner not to damage the finish or the exterior of the machine. Inspect for concealed shipping damage. Report any damage hidden by the shipping carton directly to the carrier.
2. Set and level the CD6-Can Drink Vendor to the right of the GF 19 Glassfront "host machine" and connect the machines together with two (2) "tie plates" furnished in the Loose Parts Package. See **Illustration #1** below for connecting the machines together.



2 ILLUSTRATION #1

3. Unplug the GF 19 Glassfront from the power supply.
4. Remove the plate from the back of the GF 19 Glassfront cabinet and insert the "umbilical" cord from the CD6-Can Drink Vendor through the hole in the back of the GF 19 Glassfront and attach the plate (furnished on the cord) using the removed hard-ware. (See **Illustration #2**)

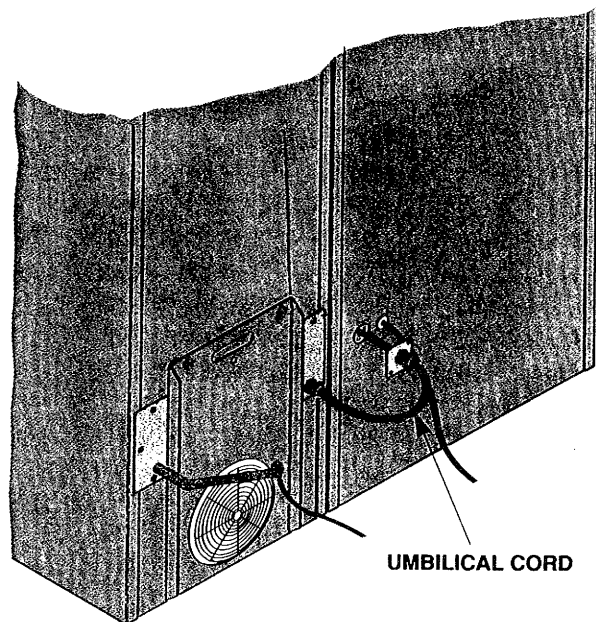


ILLUSTRATION #2

5. Connect the "umbilical" cord from the CD6-Can Drink Vendor to the GF 19 Glassfront main cabinet harness (connection "F") located in the lower compartment of the GF 19 Glassfront cabinet.
6. Plug both the GF 19 Glassfront and CD6-Can Drink Vendor into the building power source.
7. Set prices for the CD6-Can Drink Vendor selections (refer to the **Price Setting Instructions**) and test vend both machines for proper operation.

Refer to **Wiring Diagrams** on the CD6-Can Drink Vendor (in back of manual) for proper identification of the connections and components.

LOADING INSTRUCTIONS

There are six (6) 12-ounce selections in the vendor.

The selections are numbered from top to bottom, left to right when facing the vendor. Selections numbered one (1), three (3) and five (5) will hold 33 cans each. Selections numbered two (2), four (4) and six (6) will hold 35 cans each.

NOTE: When loading the columns, do not let first cans loaded strike the motor cams with full force.

When loading the columns, place the cans into the proper opening. Lay the cans on their side and allow them to roll down the serpentine column to the ejector mechanism. Keep placing cans into the column until the serpentine column is full to the top opening. (See **Illustration #3**)

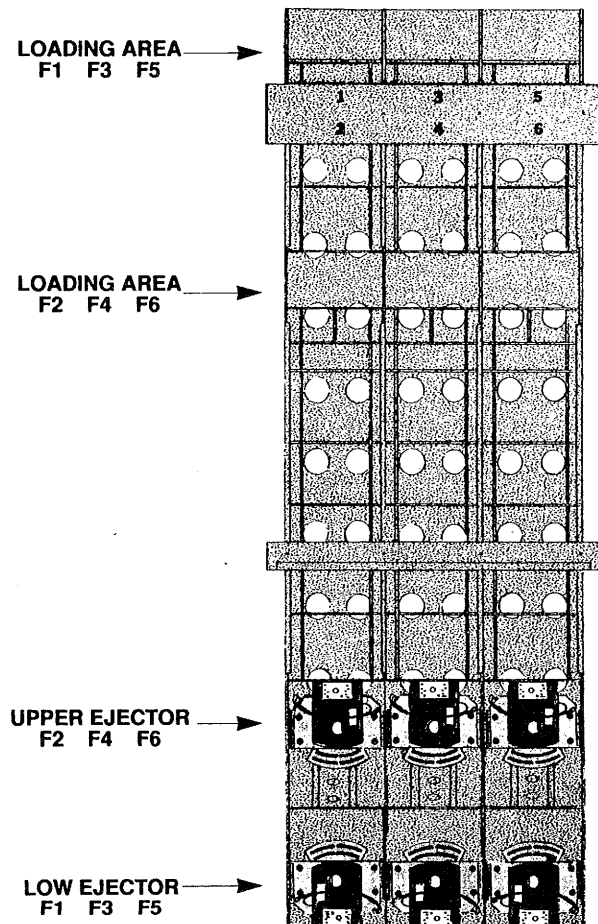


ILLUSTRATION #3

PRODUCT DISPLAY AREA

The live display will provide a full view of the products being dispensed and a label holder to indicate the vend price set for each selection. The serpentine columns and displays are numbered for easy identification.

To display products, loosen the bolt from the inside of the door holding the display frame into position. (See **Illustration #4**)

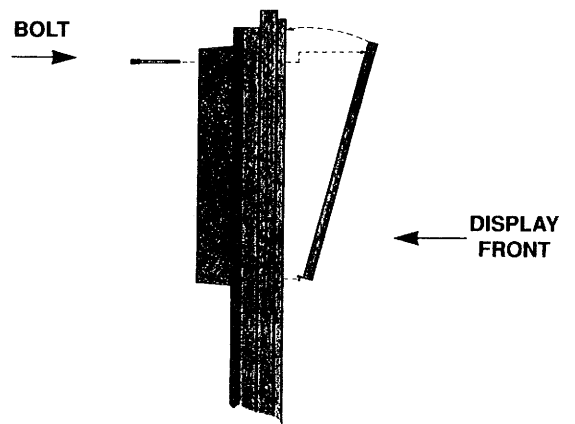


ILLUSTRATION #4

Pull out on the front of display frame. The top of the frame will tilt forward. Then pick up on the frame to remove it from the door. Position the cans to the proper number representing the selection number for that product.

Adhere the price labels, found in the Service Package, to the clear windows on the back of the operating instructions.

To verify the price set, depress the selection letter and number on the GF 19 Glassfront. Watch the digital display on the GF 19 Glassfront for the correct pricing.

PRICE SETTING

PRICE SETTING INSTRUCTIONS:

Pricing is done through the selection panel of the GF 19 in conjunction with the "Service Mode Switch" located on the Control Board.

1. Depress the "Service Mode Switch" on the Control Board. The LED display will light indicating any faulty selections, or empty columns. (See Illustration #5)

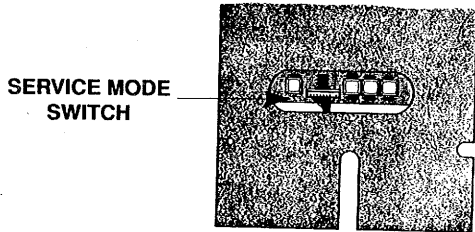


ILLUSTRATION #5

2. Depress No. "1" on the Key Pad.
3. Depress the selection on the Key Pad to be priced.
4. "To Increase" selection price depress the No. "14" button on the Key Pad. Price will increase in 5¢ increments. A single beep will sound for each 5¢ increase. The LED will display the selection price. When desired price appears in the display, release the button, the price is set for that selection.
5. "To Decrease" selection price depress the No. "7" button on the Key Pad. Price will decrease in 5¢ increments. A single beep will sound for each 5¢ decrease. The LED will display the selection price. When desired price appears in the display, release the button, the price is set for that selection.
6. Continue setting prices for each selection by repeating Steps 2 thru 5 or by using "COPY PRICE MODE". (See Copy Price Mode Instructions).
7. After completing "Price Setting" depress button No. "13" to set controller in the "Sales Mode".

COPY PRICE MODE:

When there is more than one selection to be vended at the same vend price, the "Copy Price Mode" can be used when establishing vend prices.

1. While in the "Service Mode", Depress the No. "1" button on the Key Pad (Selector Panel).
2. Depress the selection for the price that is to be

copied on the Key Pad. A single beep will sound to acknowledge the selection and the LED will light showing the selection price.

3. Depress the No. "5" button on the Key Pad. A continuous beep will sound and the LED will light showing the selection price.
4. Enter the desired selections to receive the copied price. A single beep will sound acknowledging each selection.

EXAMPLE: When entering selections you must enter as F-1, F-2, etc.

5. To continue to copy a different price setting, depress No. "1" button on the Key Pad and repeat Steps 2 thru 4.

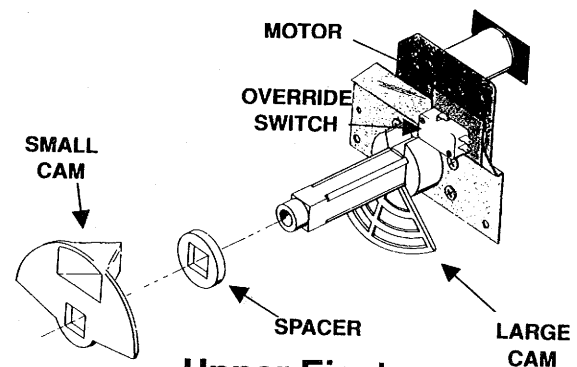
IMPORTANT: When completed with "PRICE SETTING", depress No. "13" button on the Key Pad to return to the "SALES MODE". The controller will automatically return to the "SALES MODE" 25 seconds after the last input or depression of the Key Pad.

UPPER AND LOWER EJECTORS

These ejectors receive their power from the GF 19 Glassfront control board, through the "F" shelf harness connector. These ejectors, through the empty switch, indicate to the control board that a particular column is out of product. This will be displayed in the GF 19 Glassfront and **"MAKE ANOTHER SELECTION"** when that selection is attempted.

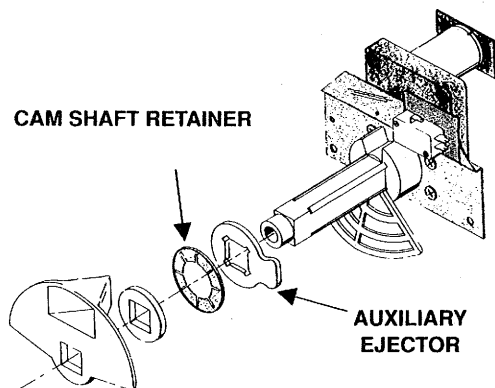
The upper ejector mechanism dispenses product from columns 2-4-6 only. The lower ejector mechanism dispenses product from columns 1-3-5 only.

These assemblies are made of the same components with the exception of the lower ejector mechanism having an auxiliary ejector and cam shaft retainer added: (See Illustrations #6 & 7)



**Upper Ejector
ILLUSTRATION #6**

FUNCTIONS & COMPONENTS



Lower Ejector
ILLUSTRATION #7

Vend Motor:

This motor is 24 V.D.C., operated from the GF 19 Glassfront control board through an umbilical harness from the "F" plug in the GF 19 Glassfront cabinet.

This motor is mounted to the plate using four (4) screws and then the plate secured to the ejector frame by three (3) screws. (See **Illustration #6**)

Large Cam:

This cam is positioned on the ejector mechanism in a manner to hold a can at the vend position. As the motor runs the cam is rotated, releasing the can being held at the vend position to the vend area. At the end of the motor cycle, the cam is returned to the stand-by position.

Small Cam:

This cam at stand-by is located above the second can up the rail. As the motor rotates, the cam separates the first and second can and prevents the second can from vending. At the end of the cycle, the can is released to the vend area to be held by the large cam.

Spacer:

This spacer is used as an adjustment for different diameter cans, 10 or 12 oz. This is done by placing it in front or behind the small cam. (See **Illustration #6**)

Override Switch:

This switch is mounted on the motor plate and actuated by the large cam when in a cycle. At standby, this switch should be in the notch of the large cam. This switch supplies

power to the vend motor during a cycle, overriding the "Sold Out" switch when it is actuated by the cans moving to the vend position. (See **Illustration #6**)

Motor Switch:

The switch, when actuated at the start of the motor cycle, sends a signal to the controller that the motor has successfully started. At the end of the motor cycle, the switch will deactivate, indicating to the controller that the motor has cycled 360 degrees. At this time the controller will remove power from the motor. False or erratic signals from this switch will cause the controller to stop the motor out of sequence. (See **Illustration #8**)

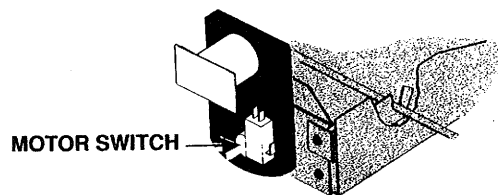


ILLUSTRATION #8

Sold-Out Switch:

This switch is mounted behind the small cam on its own bracket and is adjustable for 10-ounce or 12-ounce cans.

This unit will not dispense the last can in the column, assuring a pre-cool can in each column. (See **Illustration #9**)

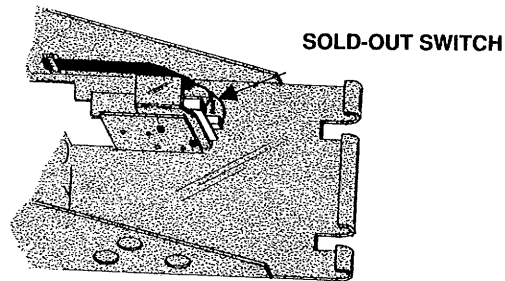


ILLUSTRATION #9

When this switch is not actuated by a can, the circuit to the GF 19 Glassfront control board indicates "**MAKE ANOTHER SELECTION.**"

NOTE: When a column is sold-out, the service mode button in the GF 19 Glassfront must be de-pressed to reset sold-out conditions after filling.

FUNCTIONS & COMPONENTS

UPPER EJECTOR MECHANISM REMOVAL

Before removing the ejector mechanisms, the product must be removed or held back in the serpentine column.

CAUTION: The motor can be rotated clockwise slowly by hand. Damage to the motor could result if rotated too fast or in the wrong direction.

To remove the upper vend mechanism proceed as follows:

NOTE: If only the motor needs removed follow **Step 1 through Step 4.**

1. Remove the motor cover.
2. Insert the upper can stop (P/N 1211018) by hooking it over the rod and clamping it down around the can. (See **Illustration #10**)

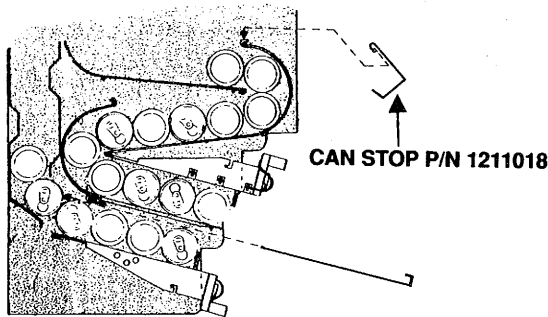


ILLUSTRATION #10

3. Loosen the latch screw, so the latch drops out of the way. (See **Illustration #11**)

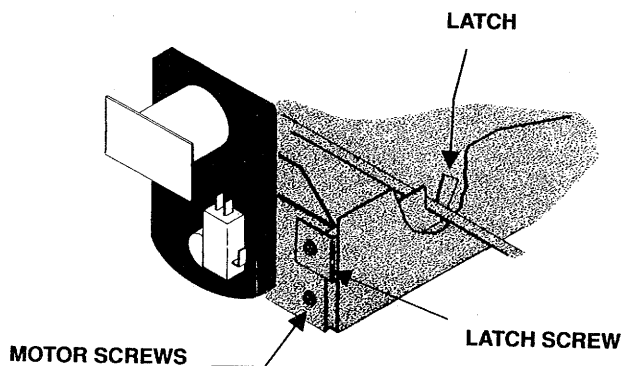


ILLUSTRATION #11

4. To remove the vend motor remove the two motor screws. (See **Illustration #11**)

NOTE: After motor screws have been removed, pressure will be needed to pull the motor off the cam drive shaft.

5. To remove the complete ejector mechanism without removing the motor, rotate the cam clockwise slowly by hand to remove ten (10) cans.
6. After the cans have been removed from the ejector mechanism, the ejector mechanism can be removed. Push the ejector mechanism backward until it clears the rod and drops down and out.

CAUTION: The motor can be rotated clockwise slowly by hand. Damage to the motor could result, if rotated too fast or in the wrong direction.

To remove the lower ejector mechanism proceed as follows:

NOTE: If only the motor needs removed follow **Step 1 through Step 4.**

LOWER EJECTOR MECHANISM REMOVAL

Before removing the lower ejector mechanism, the product must be removed or held back in the serpentine column.

1. Remove the can chute assembly, by removing the two (2) screws on side and one on the bottom.
2. Insert the lower can stop (P/N 1200137-102) by sliding the can stop all the way in and screwing down the fastener. (See **Illustration #12**)

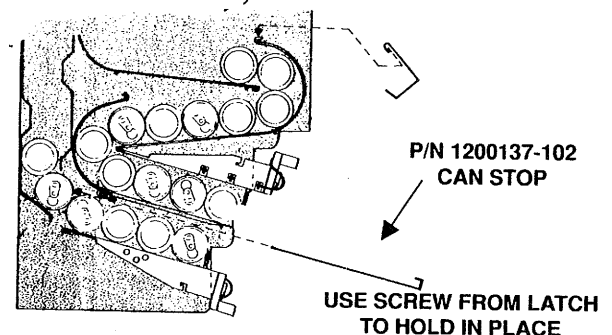


ILLUSTRATION #12

FUNCTIONS & COMPONENTS

3. Remove the latch screw and latch. (See **Illustration #13**)

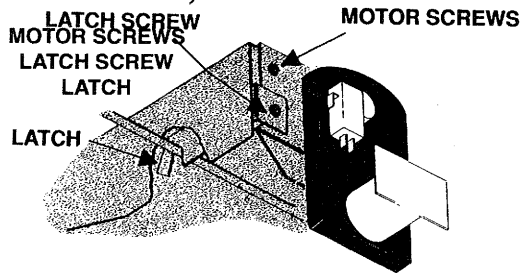


ILLUSTRATION #13

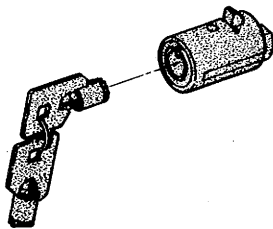
4. To remove the vend motor remove the two motor screws. (See **Illustration #13**)

NOTE: After motor screws have been removed, pressure will be needed to pull the motor off the cam drive shaft.

5. To remove the complete ejector mechanism without removing the motor, rotate the cam clockwise slowly by hand to remove five (5) cans. The cam must be pointing upward to enable the mechanism to be removed.

6. After the cans have been removed from the ejector mechanism the ejector mechanism can be removed. Push the ejector mechanism backward until it clears the rod and lifts up and out.

LOCK CYLINDER & 2 KEYS P/N 4060330



REFRIGERATION SYSTEM

The refrigeration system is a completely self contained modular 1/4 HP unit which can be easily removed if there is a service problem.

To remove the refrigeration unit, unplug the power cord and remove the screws holding the unit in place. Use the handle on the unit and pull straight back to remove. In order to remove the unit entirely the umbilical harness must be removed. This can be done by loosening the grommet and sliding it out of the slot. (See **Illustration #14**)

To re-install reverse procedures.

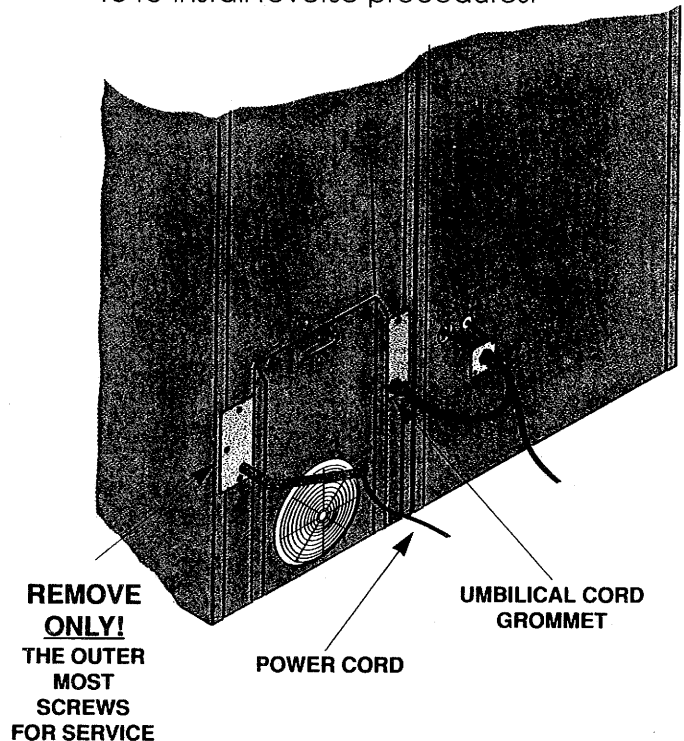


ILLUSTRATION #14

WARNING:

Placing any object in the area of evaporator assembly may damage refrigeration system, which may void refrigeration warranty.

A/C-TROUBLE-SHOOTING

I. COMPRESSOR WILL NOT START

- A. Voltage (check to see if compressor has power) 115 Domestic 220 International.
- B. Circuit breaker tripped.
- C. Faulty cold control.

II. COMPRESSOR TRIPS ON OVERLOAD

- A. Improper voltage (115 Domestic 220 International).
 - 5-10% above, 5% below.
- B. Overload defective.
- C. Relay defective.
- D. Compressor defective.
- E. Start capacitor defective.
- F. Short in other component.
 - Isolate and eliminate each electrical component until short is found.
- G. Compressor is too hot.

NOTE: Condenser must be kept clean of dirt and debris to allow for proper operation.

- 1. Dirty condenser.
- 2. Faulty condenser motor or blade.
- 3. Restricted air flow.

III. UNIT SHORT CYCLES

- A. Cold Control.
- B. Probe in wrong area (i.e., touching evaporator).

IV. UNIT OPERATES LONG OR CONTINUOUSLY

- A. Cold Control faulty.
- B. Air flow restricted.
 - 1. Faulty evaporator motor or blades causing coils to ice over.
 - 2. Air flow blocked by product in front of evaporator.
- C. Gasket leak.
- D. Excessive load.
 - 1. After loading, units run longer to pull out excessive heat from product.
- E. Shortage of refrigerant or restriction.

V. REFRIGERATED SPACE TOO WARM

- A. Restricted evaporator air space.
 - 1. Evaporator motor or blades faulty.
 - 2. Condenser air flow restricted.
 - a) Plugged or dirty condenser.
 - b) Condenser motor or blades bad.
 - c) Blade stuck.
 - 3. Condensing space restricted – Unit placed too close to a wall.
 - 4. Compressor defective.

CARE & CLEANING

CAUTION: Always disconnect power source **BEFORE** cleaning.

CABINET INTERIOR

Wash with a mild detergent and water, rinse and dry thoroughly. Wash occasionally with a quality car wax. Plastic exterior parts may be cleaned with a quality plastic cleaner.

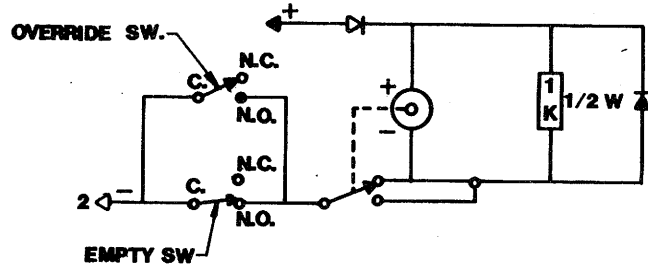
CABINET EXTERIOR

Wash with a mild detergent and water. Odors may be eliminated by including baking soda or ammonia in the cleaning solution. Remove and clean drain hose to eliminate any deposits that may restrict condensate water flow.

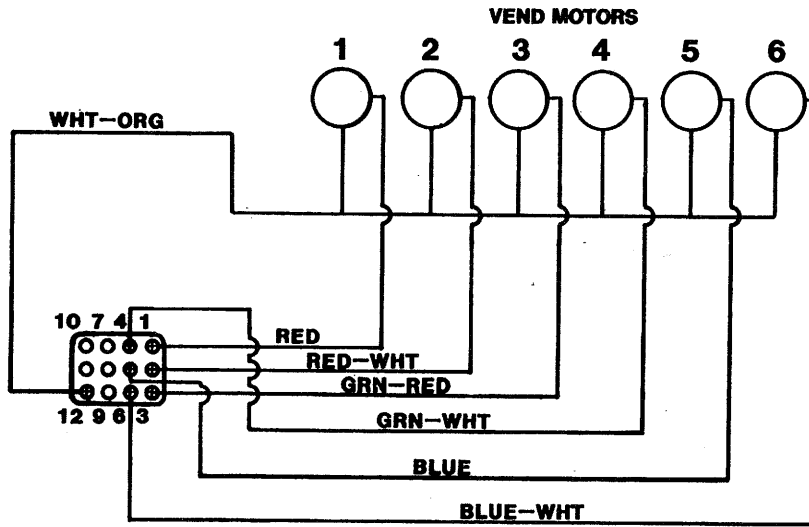
The vend mechanisms **MUST** be kept clean. Any build-up of syrup deposits can cause these mechanisms to malfunction. Use soap and water with great care so as not to get water into the electrical components.

REFRIGERATION SYSTEM

Clean dust from Condenser and Screen in the front door with a soft bristle brush or a vacuum cleaner. Remove any dirt or debris from the refrigeration system compartment. **If condenser coil is not kept clean, the compressor will overheat or fail, voiding the sealed system warranty.** Clean the condensation pan.



TYPICAL EJECTOR MOTOR SCHEMATIC



TO "F" PLUG IN GF 19 CABINET

