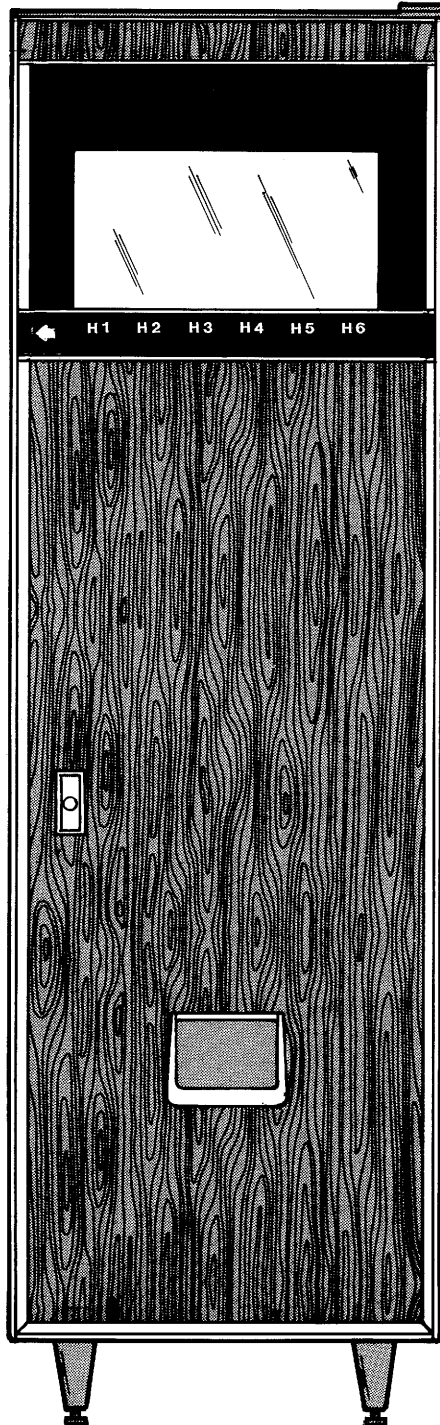


CAN DRINK MERCHANDISER



PARTS MANUAL

P/N 4202209

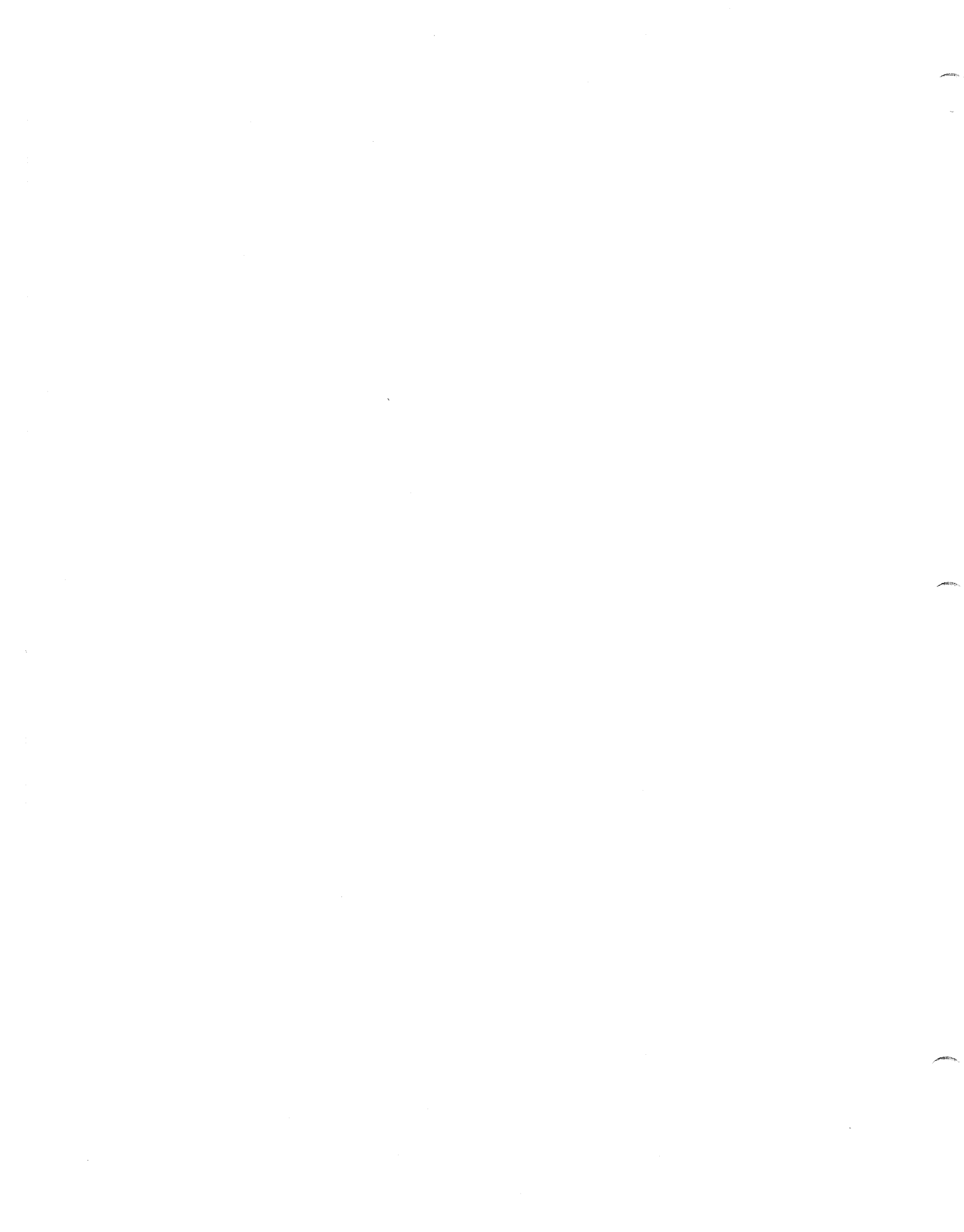


TABLE OF CONTENTS

GENERAL INFORMATION	1-2
STYLING	3-4
FINAL ASSEMBLY.....	5-6
COMPLETE DOOR ASSEMBLY	7-8
COMPLETE DISPLAY DOOR ASSEMBLY	9
COMPLETE LINER ASSEMBLY	10
COMPLETE LIGHT ASSEMBLY	11
COMPLETE EJECTOR MECH. ASSEMBLY.....	12
COMPLETE REFRIGERATION UNIT	13-14
OPTIONAL ITEMS	15

GENERAL INFORMATION

Welcome to Selectivend, Inc., we offer you three convenient ways to order replacement parts. If you have any questions when placing your order, please call and we'll be happy to assist you. Please provide the following information when placing your order:

Quantity Required
Part Number
Description
Vendor Model
Serial Number

Shipping and Billing Address
Preferred Method of Shipment
Customer Account Number

TO ORDER BY MAIL:

You may place your requirements for replacement parts by providing the necessary information as requested above, and mailing your order to:

Selectivend, Inc.
P.O. Box 488
Waukee, Iowa 50263

If you have any questions, please call (515) 274-3641, ask for Selectivend, Inc. and we will be happy to assist you.

Order forms are available upon request from Selectivend, Inc. or you may use your own purchase order form.

TO ORDER BY FAX MACHINE:

(515) 987-4447

You may Fax your order for replacement parts by providing the necessary information as requested above, to Selectivend, Inc. by using our Fax (515) 987-4447.

If you have any questions, so indicate and we will respond via Fax, with your answer.

TO ORDER BY PHONE:

(515) 274-3641

You may call in your order for replacement parts. Ask for Selectivend, Inc. Please provide the necessary information, as requested above, to allow us to provide you with prompt and courteous service.

If you have any questions, so indicate and we will be happy to assist you.

GENERAL INFORMATION

TERMS:

- MINIMUM ORDER \$25.00. You may wish to inquire on prices of parts at the time of your order. If your order is less than the minimum, please check our catalog for other parts you may require to bring your order up to the \$25.00 minimum order.
- OPEN ACCOUNT with approved credit
- MASTER CARD — VISA — C.O.D.

If you have any questions, please call and we will be happy to assist you.

RETURNS:

RESTOCKING CHARGE 20%. A restocking charge of 20% will apply to merchandise accepted by Selectivend for return, except items processed as a warranty.

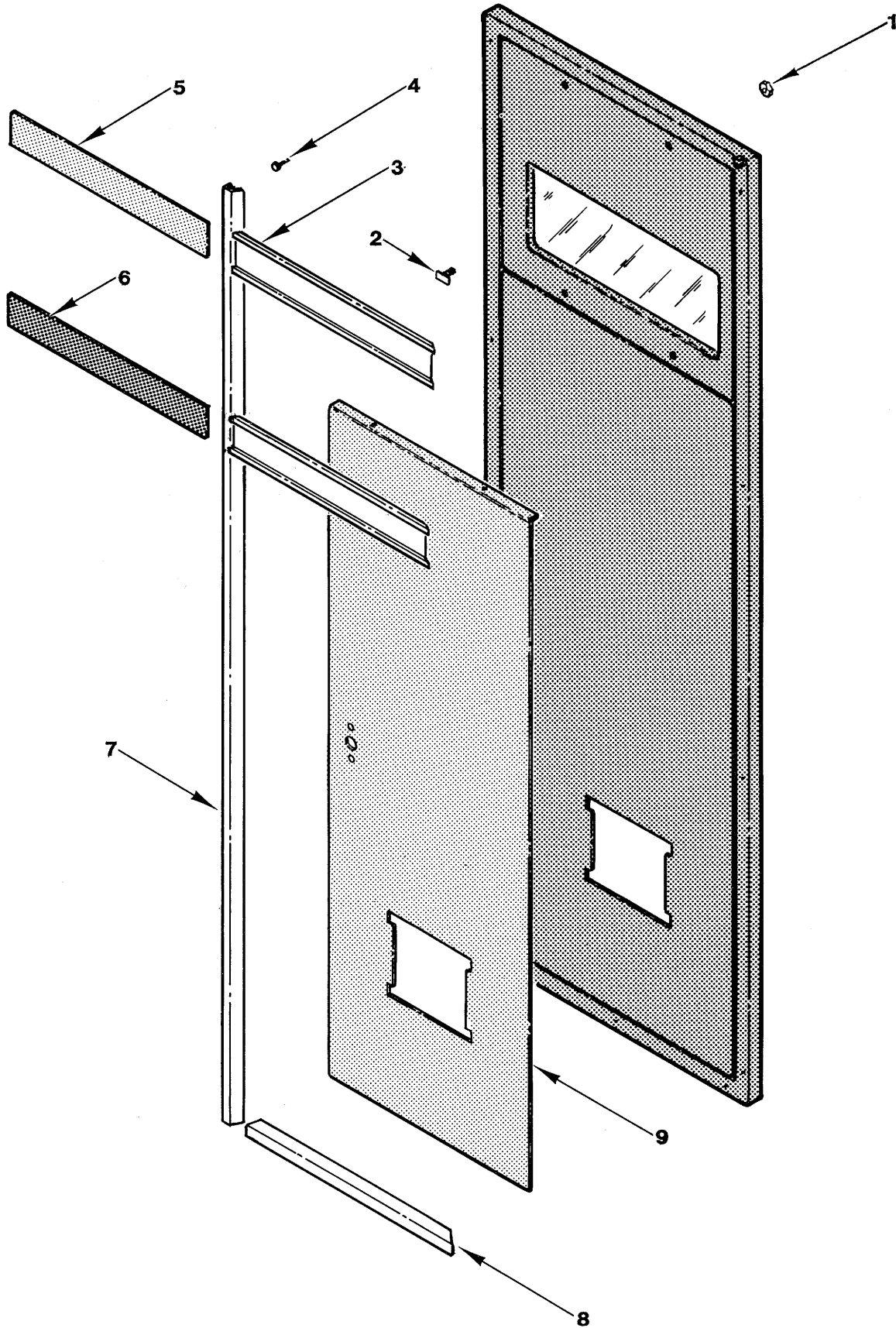
All items returned must be accompanied by a "material return tag" clearly stating the reason for the return. Returns are to be shipped freight prepaid to Selectivend, Inc., Highway 6 and Route 22, Waukee, Iowa 50263. (Tags are available upon request from Selectivend.)

If you have any questions regarding returns, please call Selectivend, Inc. (515) 274-3641, we will be happy to assist you.

LIMITATION OF LIABILITY:

Selectivend, Inc. shall not be liable for any injury, loss or damage, whether direct, incidental or consequential arising out of the use of or the inability to use any part, parts or products sold by Selectivend, Inc. The remedies of the buyer set forth herein are exclusive, and the liability of Selectivend, Inc. with respect to any contract or sale or anything done in connection therewith, whether in contract, in tort, under any warranty, or otherwise, shall not, except as expressly provided herein, exceed the price of the part, parts or products on which such liability is based. Any statements or representations about the parts or product, other than those contained herein, do not constitute warranties and shall not be relied on by the buyer and shall have no force or effect unless contained in a written agreement signed by officers of Selectivend, Inc.

STYLING



PRESIDENTIAL WALNUT "A"

1210863—001

ITEM	PART NUMBER	QTY	DESCRIPTION
1	4050513	2	8 - 32 TWIN WHIZ LOCK NUT
2	4050712	2	8 - 32 x 1/2 T-BOLT
3	8362965-037	2	TRIM HEADER
4	4201116	11	10 X 3/8 TRIM HEAD SCREW
5	4201119-022	1	PRESIDENTIAL WALNUT
6	4201912	1	OPERATING INSTRUCTIONS
7	4201117-026	2	ETCHED - SIDE TRIM
8	4201117-031	1	ETCHED - BOTTOM TRIM
9	4201589-001	1	PRESIDENTIAL WALNUT

ROWE AWARD

1210863—002

ITEM	PART NUMBER	QTY	DESCRIPTION
1	4050513	2	8 - 32 TWIN WHIZ LOCK NUT
2	4050712	2	8 - 32 x 1/2 T-BOLT
3	8362965-037	2	TRIM HEADER
4	4201116	11	10 X 3/8 TRIM HEAD SCREW
5	4201119-023	1	ROSEWOOD
6	4201912	1	OPERATING INSTRUCTIONS
7	4201117-026	2	ETCHED - TRIM
8	4201117-031	1	ETCHED - TRIM
9	4201589-002	1	ROSEWOOD

RENAISSANCE BLUE

1210863—005

ITEM	PART NUMBER	QTY	DESCRIPTION
1	4050513	2	8 - 32 TWIN WHIZ LOCK NUT
2	4050712	2	8 - 32 x 1/2 T-BOLT
3	8362965-037	2	TRIM HEADER
4	4201116	11	10 X 3/8 TRIM HEAD SCREW
5	4201119-029	1	RENAISSANCE BLUE
6	4201912	1	OPERATING INSTRUCTIONS
7	4201117-026	2	ETCHED - TRIM
8	4201117-031	1	ETCHED - TRIM
9	4201589-008	1	RENAISSANCE BLUE

PRESIDENTIAL WALNUT "B"

1210863—008

ITEM	PART NUMBER	QTY	DESCRIPTION
1	4050513	2	8 - 32 TWIN WHIZ LOCK NUT
2	4050712	2	8 - 32 x 1/2 T-BOLT
3	8362965-037	2	TRIM HEADER
4	4201116	11	10 X 3/8 TRIM HEAD SCREW
5	4201119-026	1	BLACK MORROCCO
6	4201912	1	OPERATING INSTRUCTIONS
7	4201117-026	2	ETCHED - TRIM
8	4201117-031	1	ETCHED - TRIM
9	4201589-001	1	PRESIDENTIAL WALNUT

SILVER CLOUD / SILVER MINT

1210863—004

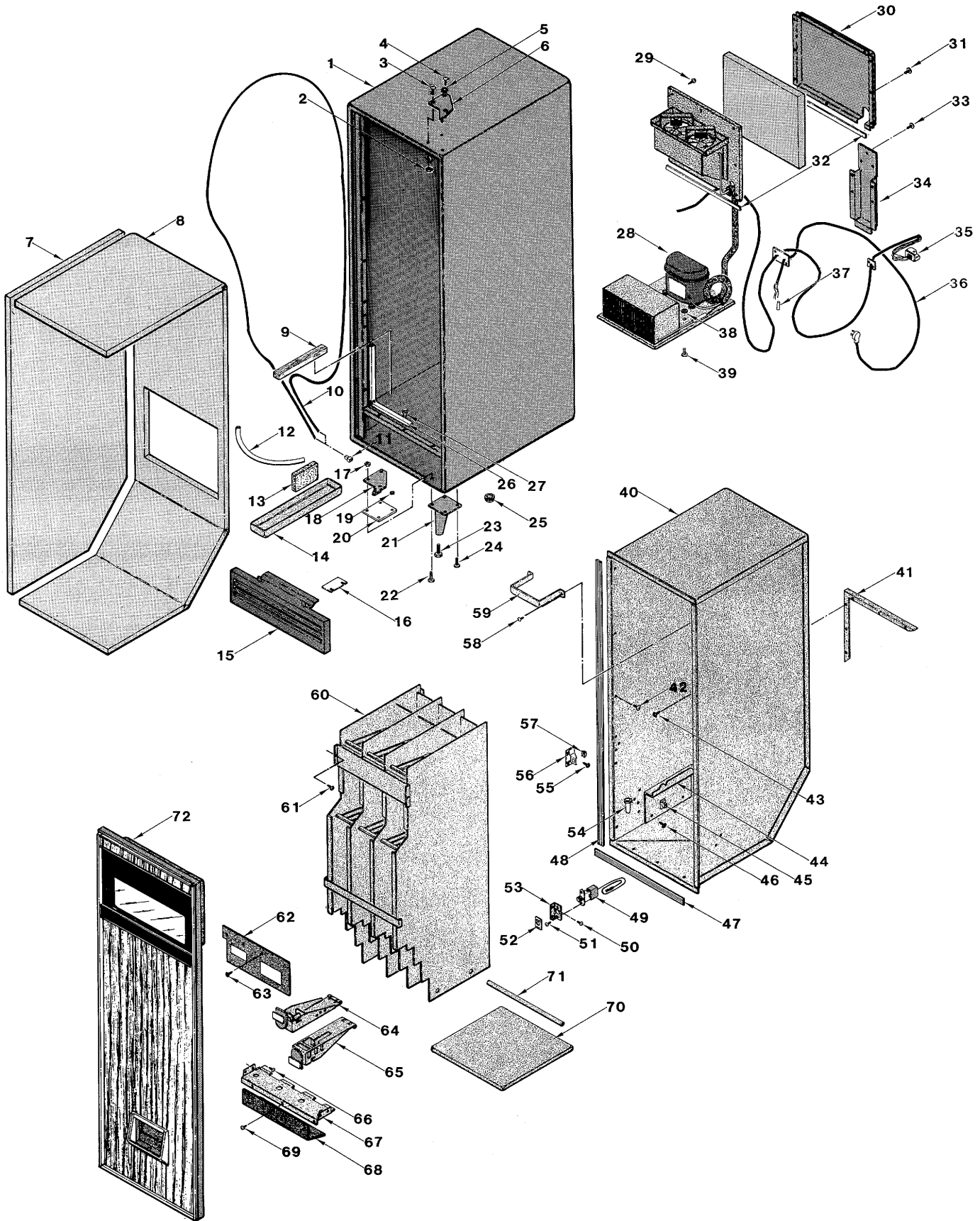
ITEM	PART NUMBER	QTY	DESCRIPTION
1	4050513	2	8 - 32 TWIN WHIZ LOCK NUT
2	4050712	2	8 - 32 x 1/2 T-BOLT
3	8362965-037	2	TRIM HEADER
4	4201116	11	10 X 3/8 TRIM HEAD SCREW
5	4201119-026	1	BLACK MORROCCO
6	4201912	1	OPERATING INSTRUCTIONS
7	4201117-026	2	ETCHED - TRIM
8	4201117-031	1	ETCHED - TRIM
9	4201589-007	1	BRUSHED STAINLESS

HONEYTONE TEAK

1210863—006

ITEM	PART NUMBER	QTY	DESCRIPTION
1	4050513	2	8 - 32 TWIN WHIZ LOCK NUT
2	4050712	2	8 - 32 x 1/2 T-BOLT
3	8362965-037	2	TRIM HEADER
4	4201116	11	10 X 3/8 TRIM HEAD SCREW
5	4201119-030	1	HONEYTONE TEAK
6	4201912	1	OPERATING INSTRUCTIONS
7	4201117-026	2	ETCHED - TRIM
8	4201117-031	1	ETCHED - TRIM
9	4201589-009	1	HONEYTONE TEAK

FINAL ASSEMBLY



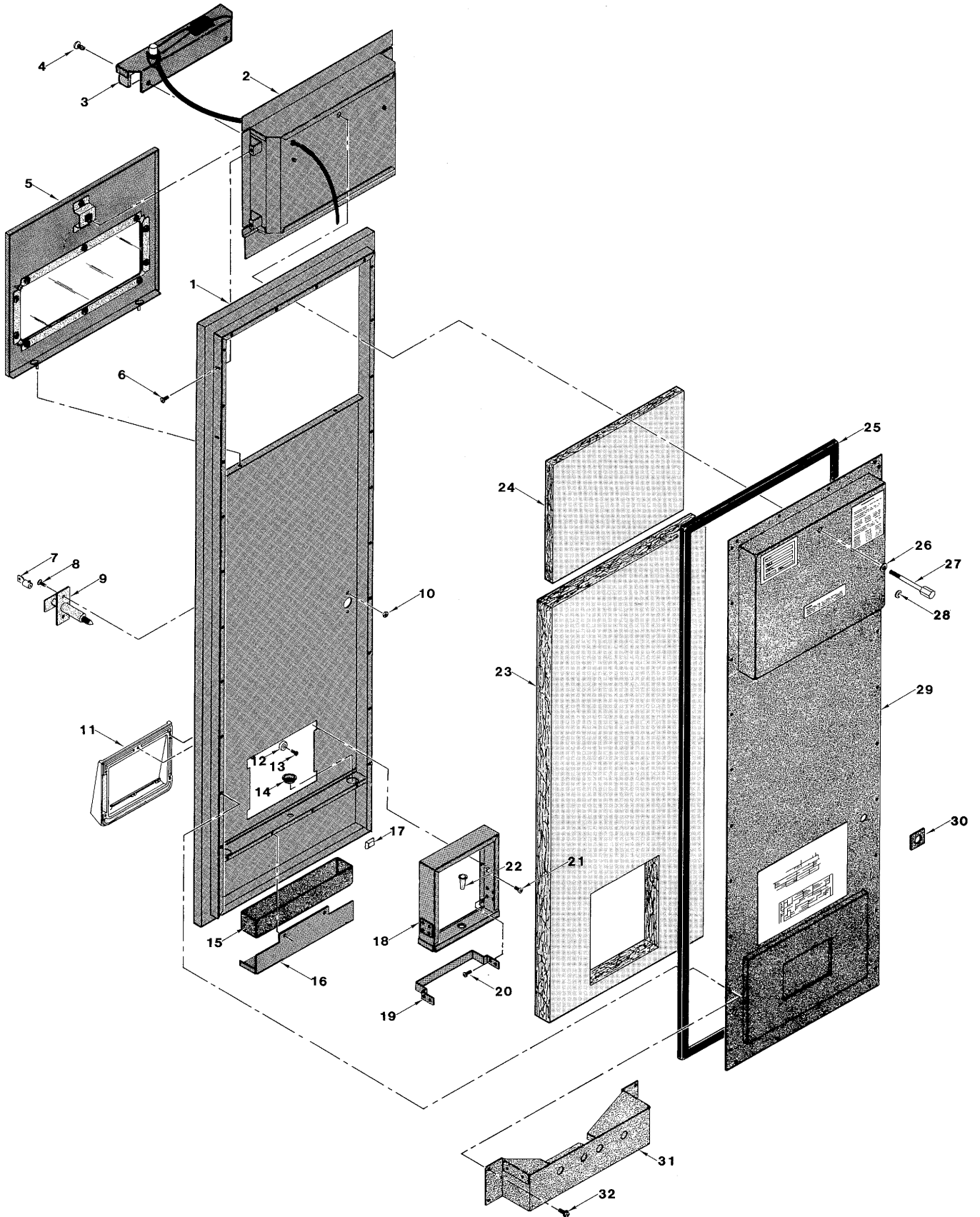
FINAL ASSEMBLY

ITEM	PART NUMBER	QTY	DESCRIPTION
	1210836	1	FINAL ASSEMBLY
	* 1210960	1	FINAL ASSEMBLY
--	1210838	1	COMPLETE CABINET ASSEMBLY
--	* 1210962	1	* COMPLETE CABINET ASSEMBLY
1	1210736-003	1	CABINET WELD ASSEMBLY
2	8810015	2	5/16-18 FLANGE LOCK NUT
3	4050099	2	5/16-18 x 3/4 CARRAGE BOLT
4	8800236	1	1/4-20 x 5/8 PHIL. TH. MS.
5	4050594	1	1/4 FLAT WASHER
6	1210709-003	1	HINGE PLATE WELD - TOP
7	8382690	2	INSULATION - SIDES
8	8382689	1	INSULATION - CABINET
9	4201398	2	WOOD SUPPORT - LINER
10	7334795-002	1	1.15 VOLT HEATER WIRE
"	* 4201686	1	220/240 VOLT HEATER WIRE
11	7200276-000	1	MOLEX PLUG - HEATER WIRE
12	4025410-000	1	TUBING - MAYON 24"
13	4202034	1	DRAIN PAN SPONGE
14	7200623-000	1	DRAIN PAN
--	▲ 1210800	1	(OPTIONAL) KICK PANEL ASSEMBLY
15	4201380-002	1	KICK PANEL
16	4201377-002	2	KICK PANEL MOUNTING BRACKET
17	8810015	3	5/16-18 FLANGE LOCK NUT
18	1210709-004	1	HINGE PLATE WELD - BOTTOM
19	4201138	2	HINGE SPACER
20	4201129-001	2	HINGE SPACER PLATE
21	1131275	4	LEG WELD
22	4201385	3	5/16-18 x 1 THREAD ROLLER
23	8363374	4	LEG LEVELER
24	8801388	13	5/16-18 x 3/4 HWH. TYPE-D
25	7250135-002	1	HOLE PLUG 1"
26	7960247-000	14 FT	"A" FRAME GASKET
27	7090004-300	9	PLASTIC GROMMET
28	1130814-002	1	1.15 VOLT REFRIGERATION UNIT (PG 13-14)
"	* 1130814-003	1	220/240 VOLT REFRIGERATION UNIT (PG 13-14)
29	4050202	12	8-18 x 1/2 PHIL. HWH. TEK
30	4201588-001	1	COVER - CABINET BACK
31	4050202	12	8-18 x 1/2 PHIL. HWH. TEK
32	4060006	10 FT	FOAM TAPE 1/4 x 1/2
33	4050202	7	8-18 x 1/2 PHIL HWH. TEK
34	4201576-001	1	COVER - SUCTION LINE
35	4201540	1	UMBILICAL HARNESS
36	4033631-000	1	POWER CORD
37	4033527	2	LINE SPLICE CONNECTOR
38	8810015	2	5/16-18 FLANGE LOCK NUT
39	4050065	2	5/16-18 x 1 1/4 CARRAGE BOLT
40	1210841	1	LINER WELD ASSEMBLY
41	4201583	2	EVAPORATOR SPACER
42	7200468-001	19	10-12 x 1 PHIL. TH. TYPE-A
43	4050202	12	8-18 x 1/2 PHIL HWH. TEK
44	4201532	1	RACK SUPPORT (LEFT SIDE)
"	4201532-001	1	RACK SUPPORT (RIGHT SIDE)
45	8370959-3	1	LOCKING CLAMP 3/4"
46	4201239	4	1/4-20 x 3/4 HWH. TAPTITE
47	7201475-024	2	BREAKER STRIP - TOP & BOTTOM
48	7201475-023	2	BREAKER STRIP - RIGHT & LEFT
49	4034324	1	THERMOSTAT
50	4050202	2	8-18 x 1/2 PHIL. HWH. TEK
51	4050234	2	8-32 X 3/8 PHIL. TH. MS.
52	7333084-000	1	DECAL - THERMOSTAT DIAL
53	7332408-000	1	BRACKET - THERMOSTAT
54	4201622	1	SNAP-IN DRAIN TUBE
55	4201239	1	1/4-20 x 3/4 HWH. TAPTITE
56	1210789-002	1	BRACKET LOCK WELD
57	4050760	1	1/2-13 SQUARE NUT W/ RETAINER
58	4050202	2	8-18 x 1/2 PHIL. HWH. TEK
59	4201566	1	BACK BRACE - RACK
60	1210900	1	RACK RIVET ASSEMBLY
61	4201239	2	1/4-20 x 3/4 HWH. TAPTITE
62	1210865	1	MOTOR COVER LABEL ASSEMBLY
63	4050202	4	8-18 x 1/2 PHIL. HWH. TEK
64	1210902	3	UPPER EJECTOR MECH. (PG 12)
65	1210901	3	LOWER EJECTOR MECH. (PG 12)
66	4050202	4	8-18 x 1/2 PHIL. HWH. TEK
67	4201586	1	DELIVERY SHELF
68	4201553	1	LOWER MOTOR COVER
69	4050202	3	8-18 x 1/2 PHIL. HWH. TEK
70	4201568	1	PRE-COOL PLATFORM
71	8620197-002	2	TUBE RACK SUPPORT
72	1210840	1	COMPLETE DOOR ASSEMBLY (PG 7-8)
"	* 1210963	1	COMPLETE DOOR ASSEMBLY (PG 7-8)

* = 220 / 240 VOLTAGE USE ONLY

▲ = OPTIONAL

COMPLETE DOOR ASSEMBLY

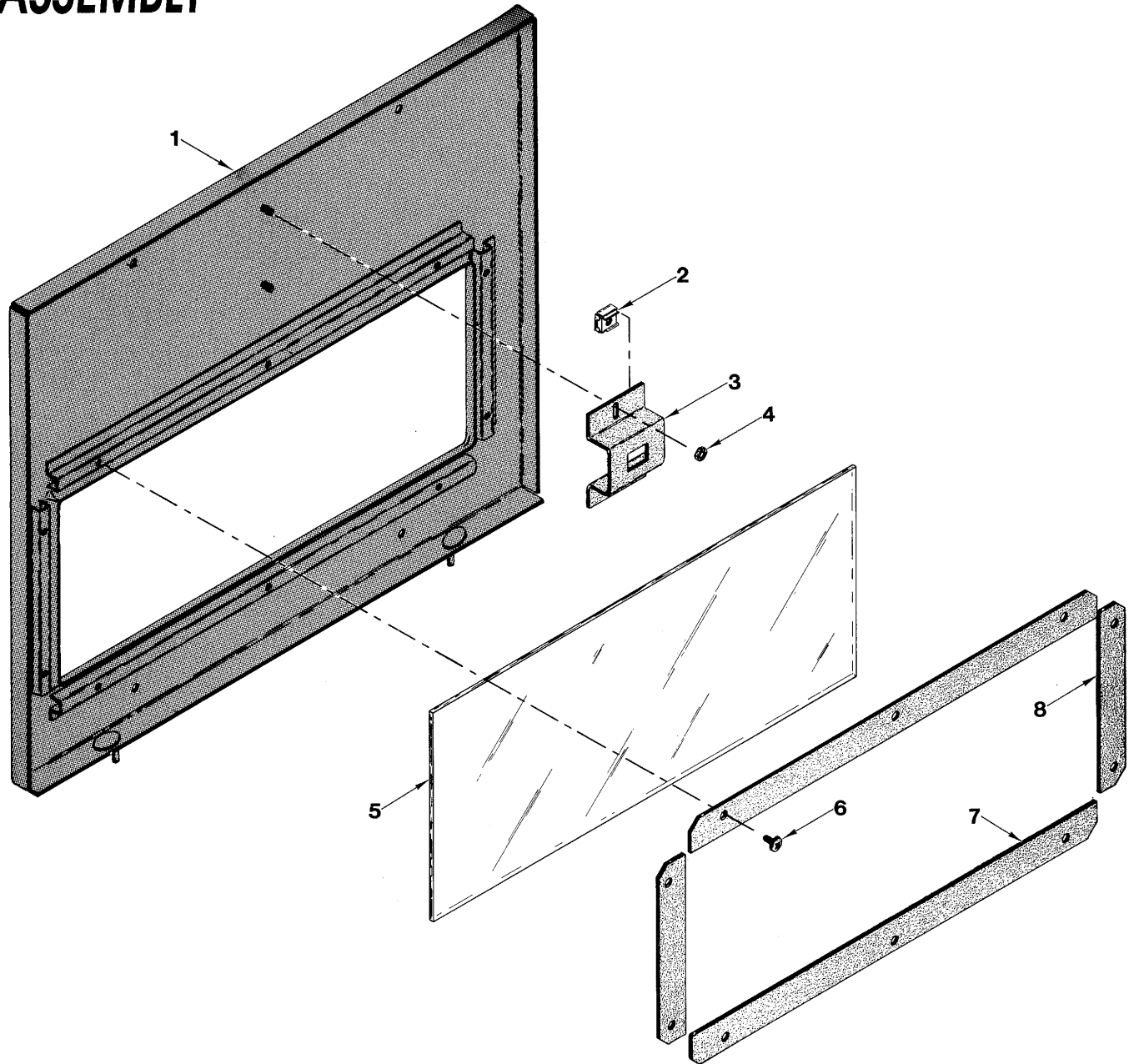


COMPLETE DOOR ASSEMBLY

ITEM	PART NUMBER	QTY	DESCRIPTION
—	1210840	1	COMPLETE DOOR ASSEMBLY
—	*1210840-001	1	COMPLETE DOOR ASSEMBLY
1	1210860-002	1	DOOR RING PANEL WELD ASSEMBLY
2	1210866-001	1	DISPLAY TOP WELD
3	1210906	1	115 VOLT COMPLETE LIGHT ASSEMBLY (PG 11)
"	*1210906-001	1	220/240 VOLT COMPLETE LIGHT ASSEMBLY (PG 11)
4	4050202	2	8-18 x 1/2 PHIL. HWH. TEK
5	1211148	1	DISPLAY DOOR ASSEMBLY (PG 9)
6	4050202	4	8-18 x 1/2 PHIL. HWH. TEK
7	4060330	1	LOCK CYLINDER/2 KEYS
8	4050338	2	10-32 x 1/2 PHIL. FH. MS.
9	4060321	1	POP-OUT FLUSH T-HANDLE
10	4050546	2	10-32 TWIN WHIZ NUT
11	4202207	1	DELIVERY TRIM - PLASTIC
12	8620821	1	RUBBER STOP
13	4050239	1	8-32 x 3/8 PHIL. PH. TYPE-T
14	7250135-000	2	HOLE PLUG - 1 3/8
15	4201610	1	DOOR DRAIN PAN
16	4201570-001	1	DOOR DRAIN PAN BRACKET
17	4200238	1	SELF ADHESIVE FEET
18	1210859-001	1	VEND WRAP WELD
19	▲4201567-001	1	ANTI CHEAT - VEND DOOR
20	▲8800776	4	10-24 x 1/2 PHIL. PH. W/ ETW.
21	4050239	4	8-32 x 3/8 PHIL. PH. TYPE-T
22	4201622	1	SNAP-IN DRAIN TUBE
23	4201592	1	DOOR INSULATION - BOTTOM
24	4201594	1	DOOR INSULATION - UPPER
25	4201203	1	DOOR GASKET
26	4050767	1	3/8 FLAT WASHER - NYLON
27	4201617-001	1	DISPLAY LOCK SCREW
28	8801077	1	1/4 RETAINING E-RING
29	1210905	1	LINER ASSEMBLY (PG 10)
30	1211074	1	SEAL ASSEMBLY - DOOR LOCK
31	1210903	1	CAN CHUTE RIVET ASSEMBLY
32	4050202	30	8-18 x 1/2 PHIL. HWH. TEK

* = 220 / 240 VOLTAGE USE ONLY ▲ = OPTIONAL

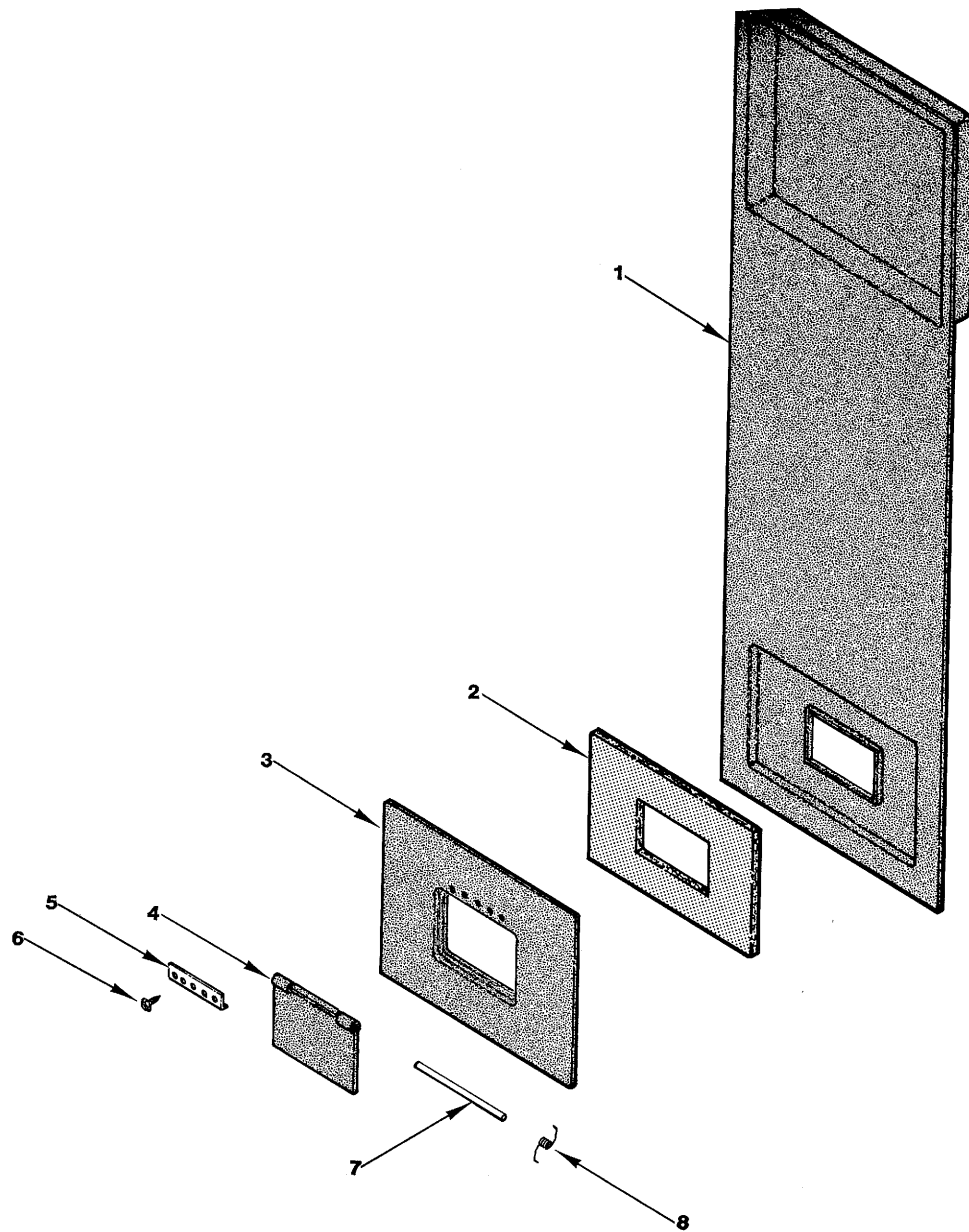
COMPLETE DISPLAY DOOR ASSEMBLY



ITEM	PART NUMBER	QTY	DESCRIPTION
—	1211148	1	COMPLETE DISPLAY DOOR ASSEMBLY
1	1210861-001	1	UPPER DOOR PANEL WELD
2	4050535	1	1/4-20 NUT W/ RETAINER
3	4201598	1	DISPLAY LOCK BRACKET
4	4050513	2	8-32 TWIN WHIZ LOCK NUT
5	4201611	1	DISPLAY GLASS
6	8801204	10	10-16 x 3/8 PHIL. TH. W/ ETW.
7	4201599	2	RETAINER - TOP & BOTTOM
8	4201587	2	RETAINER - SIDES

* = 220 / 240 VOLTAGE USE ONLY

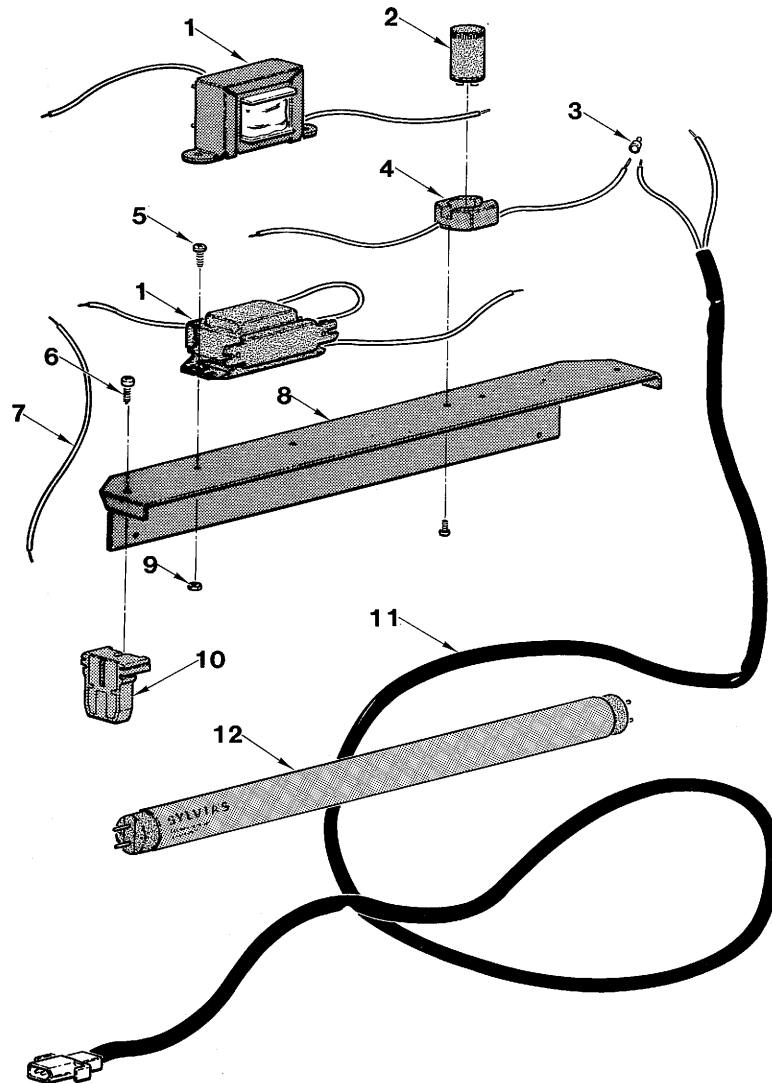
COMPLETE LINER ASSEMBLY



ITEM	PART NUMBER	QTY	DESCRIPTION
—	1210905	1	COMPLETE LINER ASSEMBLY
1	4201550	1	DOOR LINER
2	4201614	1	VEND PORT INSULATION
3	1210904	1	LOWER DOOR LINER RIVET ASSEMBLY
4	7334428-002	1	DOOR VEND PORT
5	4201591	1	HINGE PIN RETAINER PLATE
6	4050202	2	8-18 x 1/2 PHIL. HWH. TEK
7	4201605-001	1	VEND DOOR HINGE PIN
8	4201619	1	VEND DOOR SPRING

* = 220 / 240 VOLTAGE USE ONLY

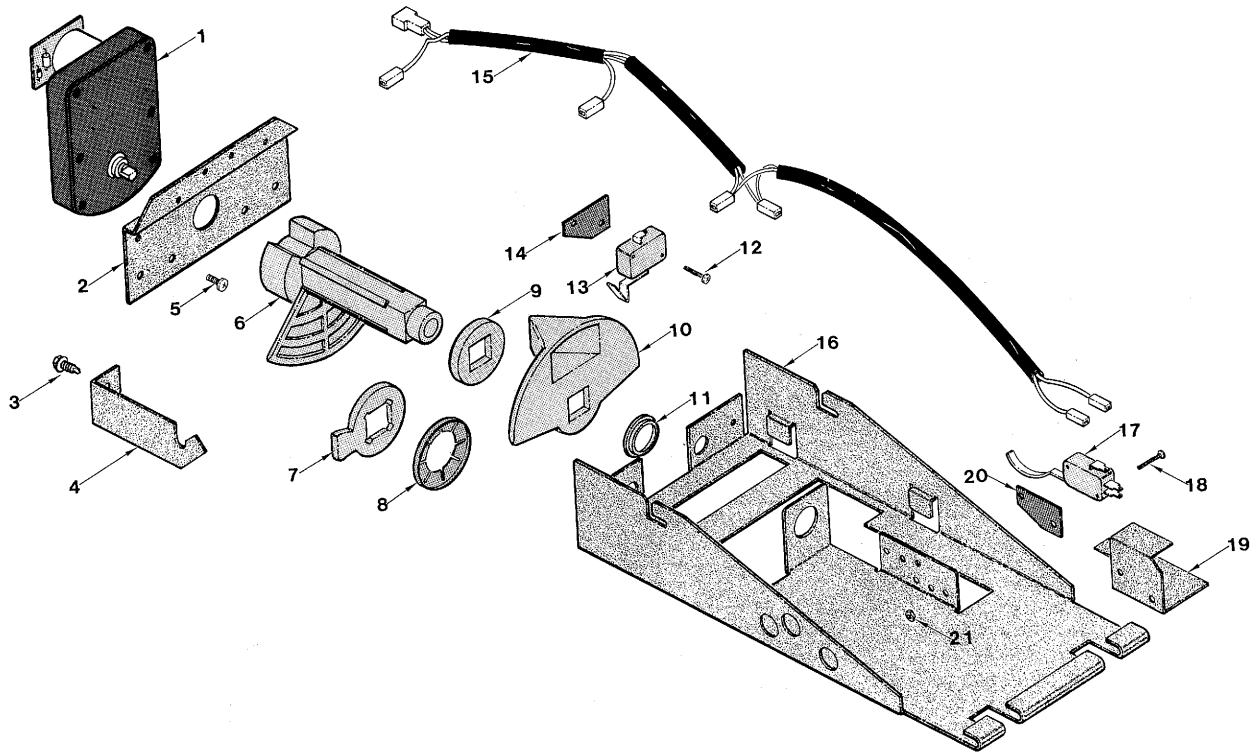
COMPLETE LIGHT ASSEMBLY



ITEM	PART NUMBER	QTY	DESCRIPTION
—	1210906	1	COMPLETE LIGHT ASSEMBLY
—	* 1210906-001	1	COMPLETE LIGHT ASSEMBLY
1	4033609	1	115 VOLT BALLAST SP2
"	* 4033074	1	220/240 VOLT BALLAST
2	4033567	1	STARTER FS-2
3	4033505	2	CLOSED END SPLICE CAP
4	4033617	1	STARTER SOCKET W/ #4-36 x 7/16 SCREW
5	4050240	2	8-32 x 3/8 PHIL. PH. MS.
6	8800060	2	6-32 x 3/8 PHIL. PH. MS.
7	4201618	1	FLUORESCENT LAMP WIRE
8	4201565-001	1	LAMP HOLDER
9	4050513	2	8-32 TWIN WHIZ LOCK NUT
10	4033548	2	FLUORESCENT LAMP HOLDER
11	4201651	1	LAMP HARNESS
12	4033668	1	LAMP F14T8/CW

* = 220 / 240 VOLTAGE USE ONLY

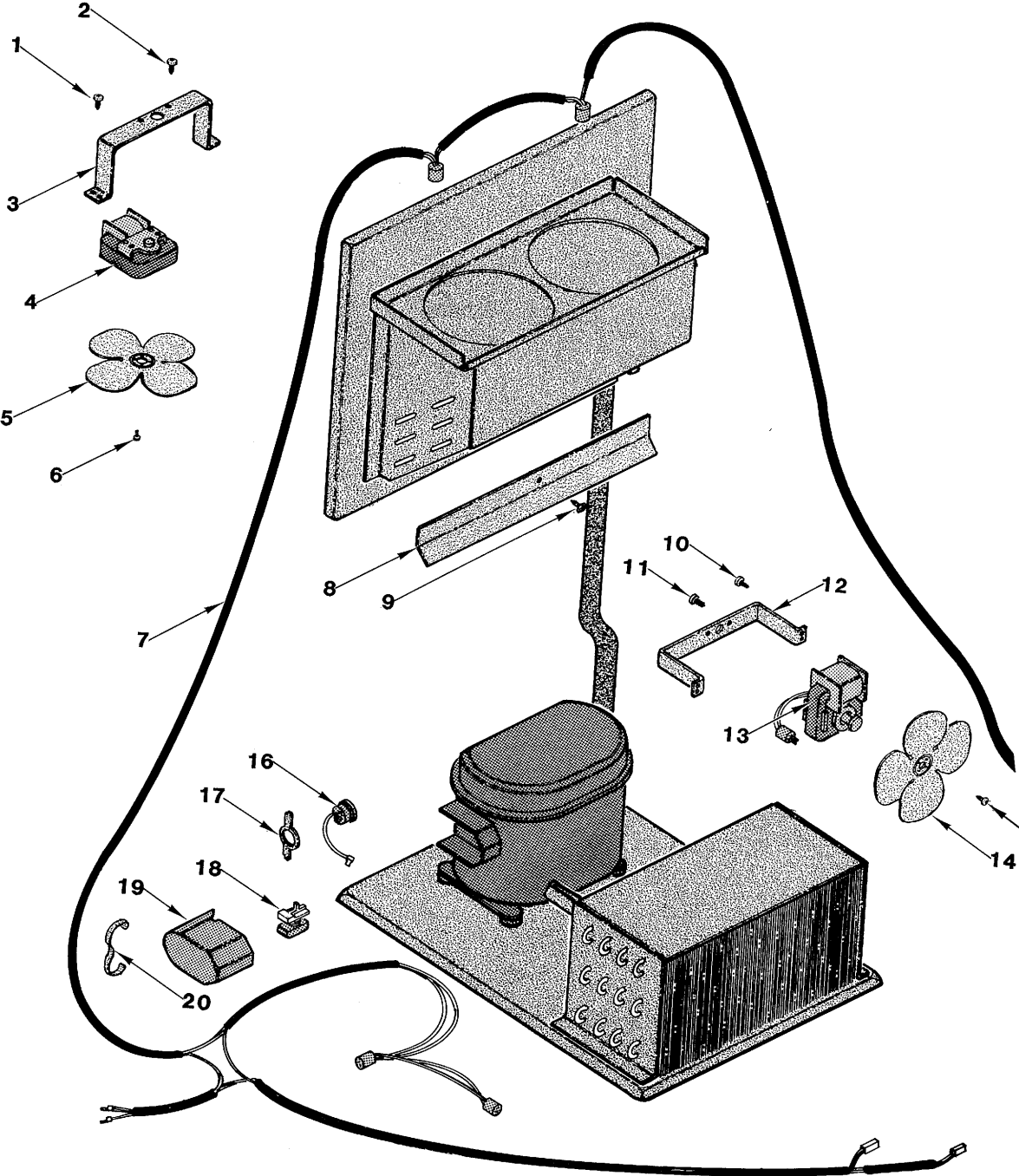
COMPLETE UPPER & LOWER EJECTOR MECH. ASSEMBLY



ITEM	PART NUMBER	QTY	DESCRIPTION
—	1210902	3	COMPLETE UPPER EJECTOR MECH. ASSEMBLY
—	1210901	3	COMPLETE LOWER EJECTOR MECH. ASSEMBLY
1	4201533	1	MOTOR EJECTOR MECH.
2	4201328	1	MOTOR MOUNTING PLATE
3	4050202	3	8-18 x 1/2 PHIL. HWH. TEK
4	4201326	1	RETAINING BRACKET
5	8800636	4	8-18 x 3/8 PHIL. PH. TYPE-B
6	4201162	1	CAM - LARGE
7	4201542	1	AUXILIARY EJECTOR (LOWER EJECTOR ONLY)
8	4201628	1	CAM SHAFT RETAINER (LOWER EJECTOR ONLY)
9	4201160	1	SPACER
10	4201161	1	CAM - SMALL
11	8620714	1	BUSHING - SNAP IN
12	7200470-004	2	4-40 x 5/8 PHIL. PH. TYPE-T
13	4201545-003	1	OVERRIDE SWITCH
14	4003735	1	SWITCH INSULATOR
15	4201636	1	EJECTOR MECH. HARNESS
16	4201327	1	MECH. PLATE
17	4201545-002	1	SOLDOUT SWITCH
18	4050015	2	4-40 x 3/4 SLOTTED RH. MS.
19	4201561	1	SWITCH COVER
20	4003735	1	SWITCH INSULATOR
21	8800954	2	4-40 HEX NUT W/ ETW.

* = 220 / 240 VOLTAGE USE ONLY

COMPLETE REFRIGERATION UNIT



COMPLETE REFRIGERATION UNIT

ITEM	PART NUMBER	QTY	DESCRIPTION
—	1130814-002	1	COMPLETE REFRIGERATION UNIT
—	* 1130814-003	1	COMPLETE REFRIGERATION UNIT
1	8801204	2	10-16 x 3/8 PHIL. TH. ETW.
2	8800247	4	10-32 x 3/8 PHIL. TH. MS.
3	8382579	1	FAN BRACKET
4	7331297-000	1	115 VOLT MOTOR - EVAPORATOR FAN
"	* 7250309-000	1	220/240 VOLT MOTOR - EVAPORATOR FAN
5	4201529	1	FAN BLADE - EVAPORATOR
6	8810012	2	3-48 x 1/4 PHIL. RH. MS. PLT.
7	4201538	1	REFRIGERATION HARNESS
8	4201537	1	WATER DEFLECTOR BRACKET
9	4050202	1	8-18 x 1/2 PHIL. HWH. TEK
10	8801204	2	10-16 x 3/8 PHIL. TH. ETW.
11	8800247	4	10-32 x 3/8 PHIL. TH. MS.
12	8382579	1	FAN BRACKET
13	7331297-000	1	115 VOLT MOTOR - EVAPORATOR FAN
"	* 7250309-000	1	220/240 VOLT MOTOR - EVAPORATOR FAN
14	4201176-001	1	FAN BLADE - CONDENSOR
15	8810012	2	3-48 x 1/4 PHIL. RH. MS. PLT.
16	8045052-28	1	115 VOLT OVERLOAD PROTECTOR
"	* 8045052-16	1	220/240 VOLT OVERLOAD PROTECTOR
17	8344305	1	SPRING - OVERLOAD
18	8333894-8	1	115 VOLT RELAY
"	* 8333894-10	1	220/240 VOLT RELAY
19	8344308	1	COVER - TERMINAL
20	8344306	1	BALE STRAP

* = 220 / 240 VOLTAGE USE ONLY

OPTIONAL ITEMS

1211018	UPPER CAN STOP
1200137-102	LOWER CAN RETAINER ASSEMBLY
4201567-001	VEND DOOR ANTI-CHEAT
1200137-004	VEND DOOR ANTI-CHEAT (UPPER)
1200137-101	LEG LEVELER WRENCH
1210800	KICK PANEL ASSEMBLY
4201913	OPERATING INSTRUCTIONS (LETTER "G")
4201914	OPERATING INSTRUCTIONS (LETTER "F")
4202226	FROM SMIII TO WHITE PLUG ON UMBILICAL HARNESS JUMPER ASSEMBLY
4202227	FROM SMIIIA TO BLACK PLUG ON UMBILICAL HARNESS JUMPER ASSEMBLY
4060330	LOCK CYLINDER/ 2 KEYS



