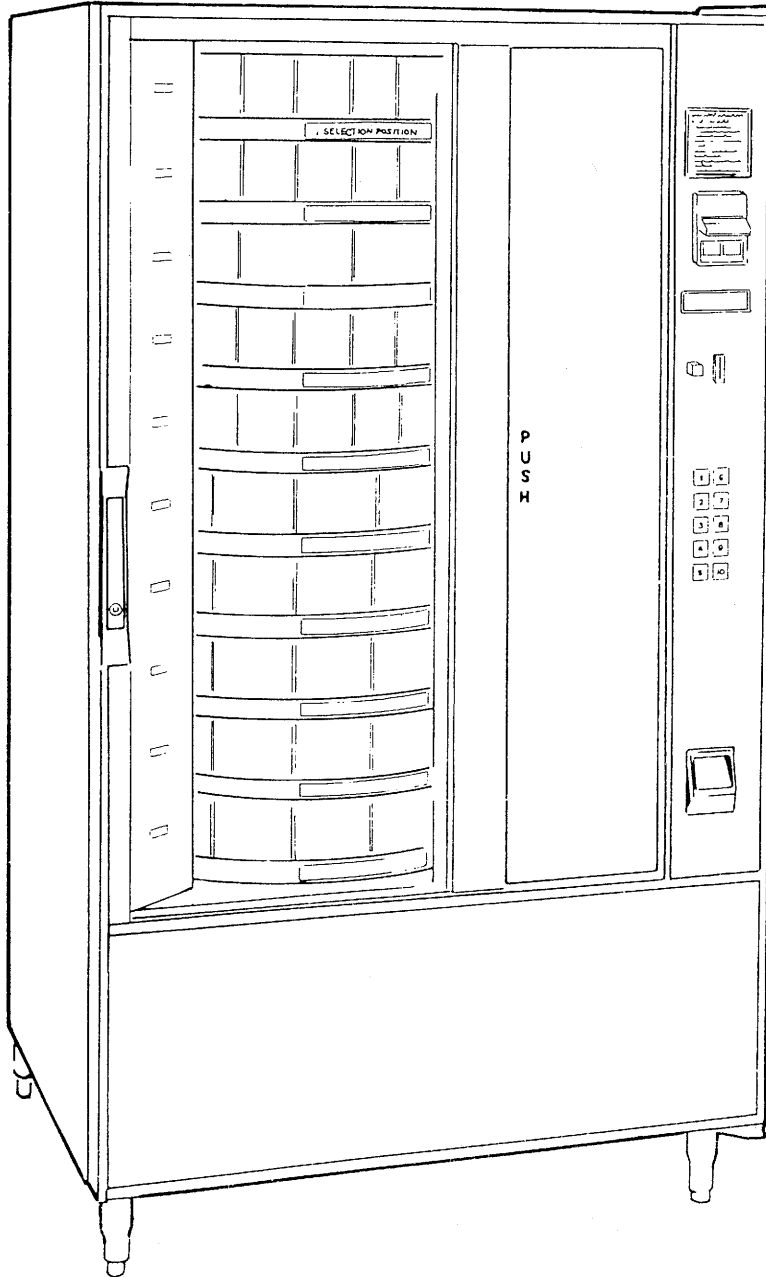


FOOD MART



Model No. 3005 Parts Manual

Part Number 4201356

December, 1988

TABLE OF CONTENTS

Parts Ordering Procedure.....	1
Complete Cabinet Assembly.....	2
Parts List.....	3
Door Modification Assembly.....	4
Parts List.....	5
Disk Column Assembly.....	6
Parts List.....	7
Complete Front Grill Assembly.....	8
Parts List.....	9
Complete Refrigeration Assembly.....	10
Parts List.....	11
Electric Column Assembly.....	12
Parts List.....	13
Control Box Assembly.....	14
Parts List.....	15
Gear Case Assembly.....	16
Parts List.....	17
Cross-Member Component Assembly.....	18
Parts List.....	18
Harness Location.....	19
Parts List.....	19
Food Mart Trim.....	20
Complete Lifting Gear Assembly.....	21
Parts List.....	21

PARTS ORDERING PROCEDURE

When ordering parts, include the following information:

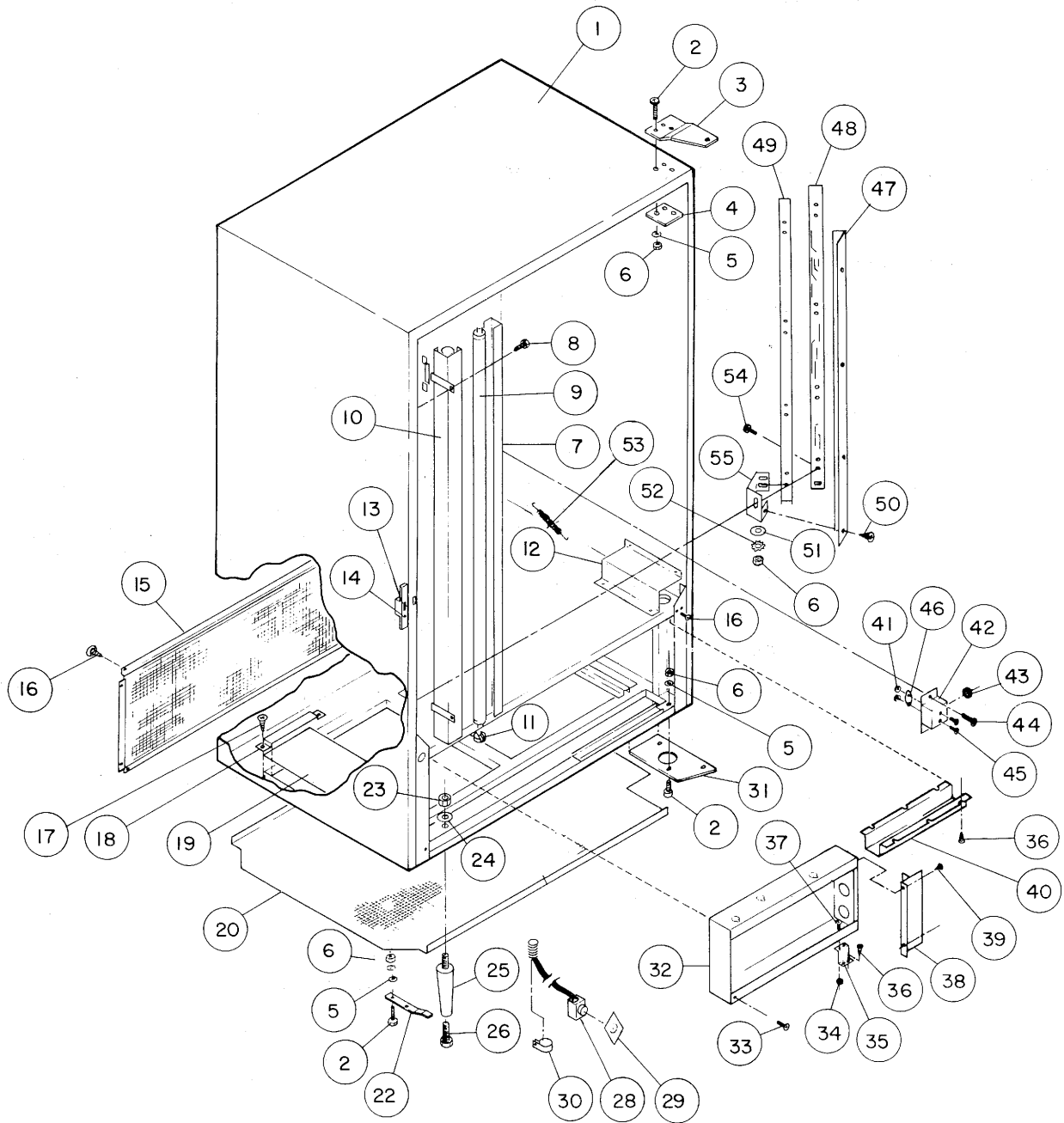
1. Shipping address.
2. Address where invoice should be sent
3. The number of parts required.
4. Always refer to the pertinent parts and/or service manual for the correct part number and description of the specific part.
 - A. If you do not have the right parts manual at the time you order contact SELECTIVEND, P. O. Box 488, 165 No. 10th Street, Waukee, IA 50263. They will provide a copy for you. Don't hold the order pending receipt of the parts manual; use the most accurate description possible (and the model number and serial number of the machine); include the name of the assembly in which the part is used and, if practical a sample part. Furnish any information which will enable our Order Department to pinpoint the exact part needed.
 - B. When "RIGHT" and "LEFT" are used in connection with the name of a part, it is taken to mean that the person is facing the machine.
5. Always include model number and serial number of the machines for which the parts are needed.
6. List any special shipping instructions.
 - A. Always note if you require air or air special, truck, parcel post, or rail. If a specific carrier is requested, include this on the order.
7. Sign the order and note the date entered on the order.
8. When a purchase order number is used, be sure that it is legible and visible. Mail your order to:

SELECTIVEND
P. O. Box 488
165 North 10th Street
Waukee, Iowa 50263

All orders are carefully packed and inspected prior to shipping. Damage incurred during shipment should be reported immediately and a claim should be filed with the terminating carrier.

COMPLETE CABINET ASSEMBLY

Part Number 1200041

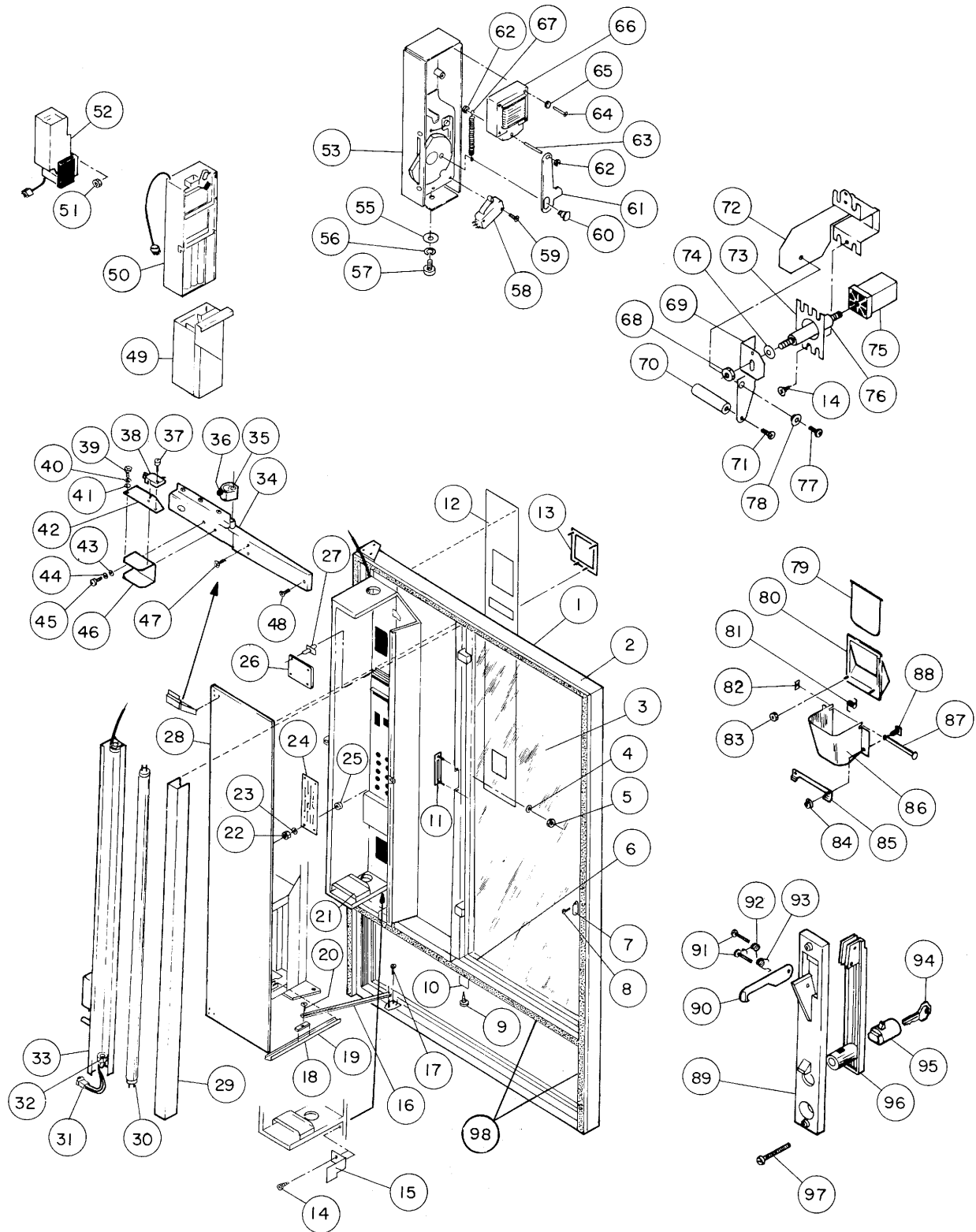


COMPLETE CABINET ASSEMBLY

Item	Part Number	Qty.	Description
1	820.003	1	Cabinet Assembly
2	202.015	8	M6 x 55 Bolt
3	701.410	1	Top Door Hinge
4	720.140	1	Iron Plate
5	204.125	8	M8 x 24 Flat Washer - Special
6	201.025	8	M6 Hex Nut
7	400.355	2	Lamp Cover - Plexiglas
8	200.040	8	M4 x 10 S.M.S.
9	300.355	2	Fluorescent Tube
10	725.105	2	Fluorescent Tube Support Assembly
11	300.235	4	Lamp Socket
12	4200366	1	Protecting Shield
13	620.017	1	Door Lock Adjustable Hook System
14	201.425	1	M6 x 6 Set Screw
15	755.160	1	Rear Plate Screen Mesh
16	200.040	33	M4 x 10 S.M.S.
17	200.050	2	M5 x 16 S.M.S.
18	4200093	1	Retainer Bracket - Cross-Member
19	1200060	1	Cross-Member Component Assembly
20	755.161	1	Bottom Screen
21	4200762	1	Label - Caution (Not Shown)
22	701.395	1	Door Slider Bearing
23	203.030	4	M16 Leg Hex Nut
25	400.180	4	Cabinet Leg
26	400.185	A/R	Feet - Adjustable Screw (M16 x 25)
28	4034324	1	Thermostat Assembly
29	7333084-000	1	Decal - Thermostat
30	4060116	1	3/8" Wire Clamp (Plastic)
31	701.405	1	Bottom Door Hinge
32	1200059	1	Control Box Assembly
33	8800566	A/R	#8-18 x 3/8 Phil Pan Hd Type "AB"S.T.S.
34	4050513	2	#8-32 Twin Whiz Lock Nut
35	4200145	1	Support Bracket - Control Box
36	4050202	A/R	#8-18 x 1/2 Phil Hex Washer hd Tek Screw
37	4050240	2	#8-32 x 3/8 Phil Pan Hd M.S.
38	4200404	1	Wire Shield
39	4050202	2	#8-18 x 1/2 Phil Hex Washer hd Tek Screw
40	4200143	1	Wiring Trough
41	4050517	2	#4-40 Hex Nut
42	4200813	1	Cover-Health Timer
43	4033654.001	1	Grommet-Rubber
44	4050202	2	#8-18 x 1/2 Phil Hex Washer Hd Tek Screw
45	4050008	2	#4-40 x 3/8 Phil Han Hd M.S.
46	4200175	1	Switch - Health
	1200257	1	Reed Strip Switch Assembly
47	4200747	1	Cover - Reed Switch Strip
48	4200722	10	Reed Switch
49	750.027	1	PCB Holder
50	200.040	4	M4 x 10 Phil Pan Hd M.S.
51	204.005	8	M3 Flat Washer
52	204.405	8	M3 Spring Washer
53	211.050	1	Return Cable Spring
54	201.010	8	M3 x 12 M.S.
55	750.028	4	Reed Switch Mounting Bracket

DOOR MODIFICATION ASSEMBLY

Part Number 1200010

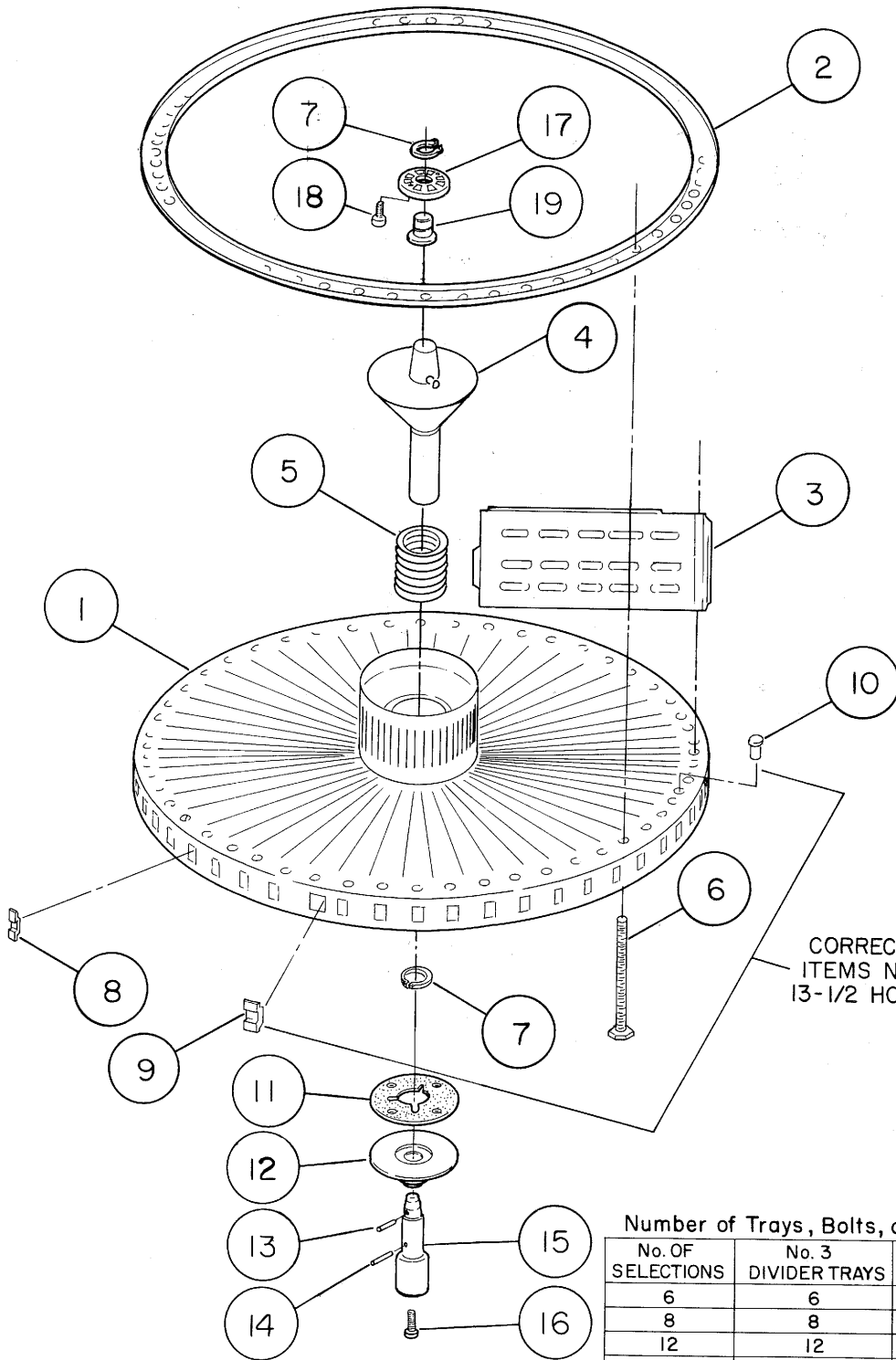


DOOR MODIFICATION ASS'Y

ITEM	PART NUMBER	REQ'D	No.	DESCRIPTION	ITEM	PART NUMBER	REQ'D	No.	DESCRIPTION
1	1200010	1	1	Door Modification Assembly	52	4200315	1	1	Validator - Mars 400 Stack
2	See Trim Dwg 20	7	1	Trim - Aluminum	53	1200124	1	1	Door Latch Assembly Complete
3	825.101	1	1	Door Frame	55	4200529	2	2	M6 Flat Washer
4	420.005	1	1	Glass - Safety	56	4200528	1	1	Washer - Split Lock
5	204.010	2	2	M4 Flat Washer	57	4200530	2	2	M6 x 10 Socket Hd Cap Screw
6	203.010	2	2	M4 Hex Nut	58	300.460	1	1	Switch - Delivery Door Latch
7	701.357	2	2	Glass Holder	59	4200742	2	2	M3 x 12 Phil Fil Hd M.S.
8	701.356	2	2	Glass Holder	60	4200524	1	1	Screw - Shoulder
9	200.040	20	1	M4 x 10 S.M.S.	61	4200523	1	1	Latch - Link
10	201.402	6	1	M4 x 12 Screw	62	4200745	2	2	Retaining Ring - Solenoid Pin
11	725.120	1	1	Strike Plate - Switch	63	4200744	1	1	Pin - Latch Solenoid
12	1210543	1	1	Latch/Strike Weld Assembly	64	201.020	4	4	M3 x 25 Screw
13	4200031	1	1	Control Panel Overlay	65	204.205	4	4	M4 Star Washer
14	1210256-000	1	1	Cover Plate w/Validator	66	4200007	1	1	Solenoid - Door Latch
15	1210256-001	1	1	Cover Plate w/o Validator	67	4200743	1	1	Spring - Latch Solenoid
16	4050202	4	1	#8-18 x 1/2 Phil Hex Washer Hd Tek Screw	68	1200063	1	1	Coin Return Lever Assembly
17	4200994	1	1	Shield - Delivery Door Switch	69	4050496	1	1	1/4 - 20 F/M Unitorque Nut
18	701.050	1	1	Door Stop Bar	70	4200087	1	1	Lever - Coin Return
19	200.050	2	2	M5 x 16 S.M.S.	71	4030391	1	1	Stand-Off
20	701.052	1	1	Plate - Iron	72	4050122	1	1	#6-32 x 3/8 Phil Pan Hd M.S.
21	755.170	1	1	Door Stop Slide	73	1200065	1	1	Coin Return Assembly
22	700.083	2	2	M6 Special Screw	74	1200062	1	1	Coin Return Lever Bracket Assembly
23	4200107	1	1	Bracket - Change Box Mounting	75	4200084	1	1	Stop Plate
24	4200364	6	6	M4 x .7P Hex Hd Nut	76	4200179	1	1	1/4 Cup Washer
25	4200002	6	6	Washer - Nylon	77	4025750	1	1	Push Button
26	4200027	1	1	Key Pad	78	4060488	1	1	Rod - Coin
27	4200365	6	6	Spacer - Nylon	79	7331428-000	1	1	#8-32 x 5/16 Phil Pan Hd M.S.
28	4200228	1	1	L.E.D. Board	80	4030100	1	1	Bushing Spacer
29	4025738	4	4	Stand-Off	81	8349892-2	1	1	Coin Cup Door
30	825.129	1	1	Delivery Door - Stainless Steel	82	8379619	1	1	Trim - Coin Door
31	400.355	1	1	Cover - Lamp (Plexiglas)	83	8350338	1	1	Spring
32	300.355	1	1	Fluorescent Tube	84	8337564	2	2	Tinnerman Push-On
33	1200186	2	2	Door Lamp Assy. Compl.	85	8322904	4	4	Tinnerman Nut
34	300.235	1	1	Socket - Lamp	86	8800952	1	1	#10-32 Nut
35	725.105	1	1	Fluorescent Tube Support Assembly	87	4200146	1	1	Shim Plate
36	700.195	2	2	Hinge - Delivery Door	88	8349894	1	1	Coin Cup Casting
37	400.135	1	1	Cam - Delivery Door	89	8328761	4	4	Pin-Coin Cup
38	4200674	1	1	Set Screw - Cam Door	90	700.225	1	1	#10-32 x 13/32 T-Bolt
39	4200742	2	2	M3 x 12 Phil Fil Hd M.S.	91	700.228	1	1	Complete Door Latch Assembly (Less Lock)
40	300.455	1	1	Switch - Delivery Door Cam	92	700.229	1	1	Handle Body
41	201.305	4	4	M4 x 8 Screw	93	700.240	2	2	Pin - Spring
42	204.410	4	4	M4 Spring Washer	94	211.060	1	1	Spring - Door Handle
43	204.010	1	1	Plate - Delivery Door Cam	95	211.061	1	1	Spring - Door Handle
44	725.165	2	2	M4 Flat Washer	96	700.265	1	1	Complete Lock Assembly
45	204.010	2	2	M4 Spring Washer	97	210.050	1	1	Lock Key/Blank
46	294.410	2	2	M4 x 8 Screw	98	210.035	1	1	Lock Cylinder
47	201.305	1	1	Mounting Plate	99	700.227	1	1	Handle Body
48	200.045	8	8	M4 x 22 S.M.S.	100	201.115	2	2	M5 x 50 Screw
49	200.035	6	6	M4 x 16 S.M.S.	101	221.045	1	1	Door Gasket
50	1200033	1	1	Change Box Weld Assembly	102	300.140	1	1	Cable Clamp
51	4200420	1	1	Coin Mech - Mars Model 6000	103	855.150	1	1	Tool Kit
	4050513	4	4	#8-32 Twin Whiz Lock Nut					

DISK COLUMN ASSEMBLY

Part Number 1200243



NOTE
CORRECT SPACING BETWEEN
ITEMS No. 9 & No. 10 IS
13-1/2 HOLE SPACES

Number of Trays, Bolts, and Plastic Plugs per Selections

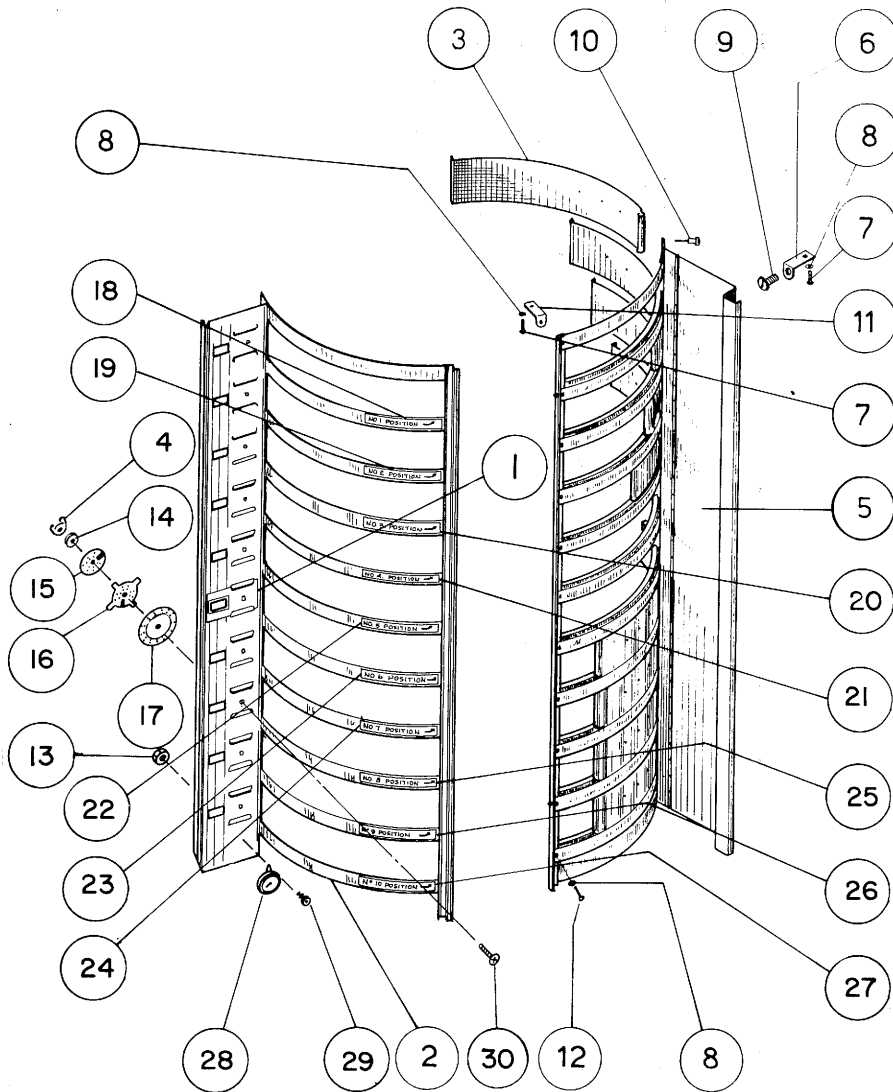
No. OF SELECTIONS	No. 3 DIVIDER TRAYS	No. 6 DIVIDER BOLTS	No. 8 PLASTIC PLUGS
6	6	6	42
8	8	8	40
12	12	12	36
16	16	16	32
24	24	24	24
48	48	48	0

DISK COLUMN ASSEMBLY

Item	Part Number	Qty.	Description
	1200243	10	Complete Tray Assembly
1	701.201	10	Drum Base
2	701.045	10	Fixing Ring
3	701.330	A/R	Tray - Divider
4	830.050	10	Shaft w/Hub Assembly
5	211.015	10	Spring - Shaft
6	202.020	A/R	Bolt - Divider M5 x 110
7	205.015	10	Retaining Pin
8	400.095	A/R	Plug - Plastic Edge Clip
9	1210535	10	Plug - Red With Magnet
10	400.100	10	Plug - Home Position
11	222.010	10	Clutch
12	701.290	10	Hub
13	207.020	10	M5 x 30 Elastic Pin
14	207.005	1	M5 x 28 Cylindrical Pin
15	700.180	1	Cone
16	201.245	1	M10 x 16 Socket Hd Cap Screw
17	400.175	1	Flange
18	201.220	2	Screw
19	700.175	1	Support

COMPLETE FRONT GRILL ASSEMBLY

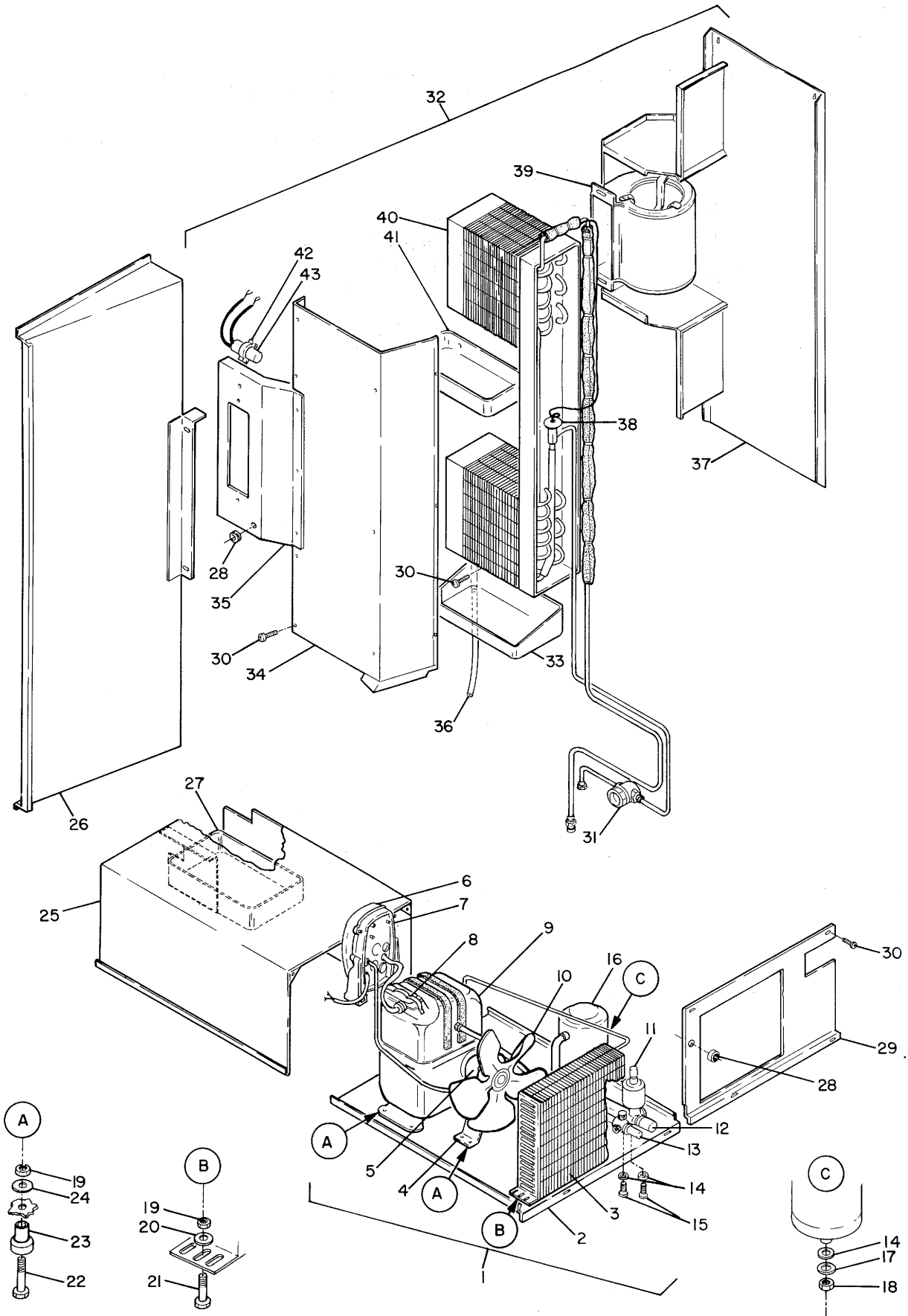
Part Number 1200262



COMPLETE FRONT GRILL ASSEMBLY

Item	Part Number	Qty.	Description
1	1200262	1	Complete Front Grill Assembly
	4200133	A/R	Label-Shopper Instructions
	4200134	A/R	Label-Two-For-One
2	835.006	1	Left Grill Assembly
3	701.365	10	Sliding Plate
4	4050514	10	#8-32 Wing Nut
5	1210540	1	Right Grill Assembly
6	735.100	2	Bracket
7	210.215	6	M6 x 15 Screw
8	204.110	6	M6 Flat Washer
9	210.025	2	Magnetic Lock
10	202.050	10	Thumb Screw
11	720.175	4	Bracket
12	201.210	4	M6 x 10 Cap Screw
13	4050513	1	#8-32 Twin Whiz Lock Nut
14	4050622	10	#8 Nylon Washer
15	4200111	10	Label-Rear Price
16	4200110	10	Lable-Middle Price
17	4200109	10	Lable-Front Price
18	4200186	1	Label-Selection Position No. 1
19	4200187	1	Label-Selection Position No. 2
20	4200188	1	Label-Selection Position No. 3
21	4200189	1	Label-Selection Position No. 4
22	4200190	1	Label-Selection Position No. 5
23	4200191	1	Label-Selection Position No. 6
24	4200192	1	Label-Selection Position No. 7
25	4200193	1	Label-Selection Position No. 8
26	4200194	1	Label-Selection Position No. 9
27	4200195	1	Label-Selection Position No. 10
28	8382043	1	Thermometer-Health
29	4050240	1	#8-32 x 3/8 Phil Pan Hd M.S.
30	4050234	10	#8-32 x 3/8 Phil Truss Hd M.S.

COMPLETE REFRIGERATION ASSEMBLY

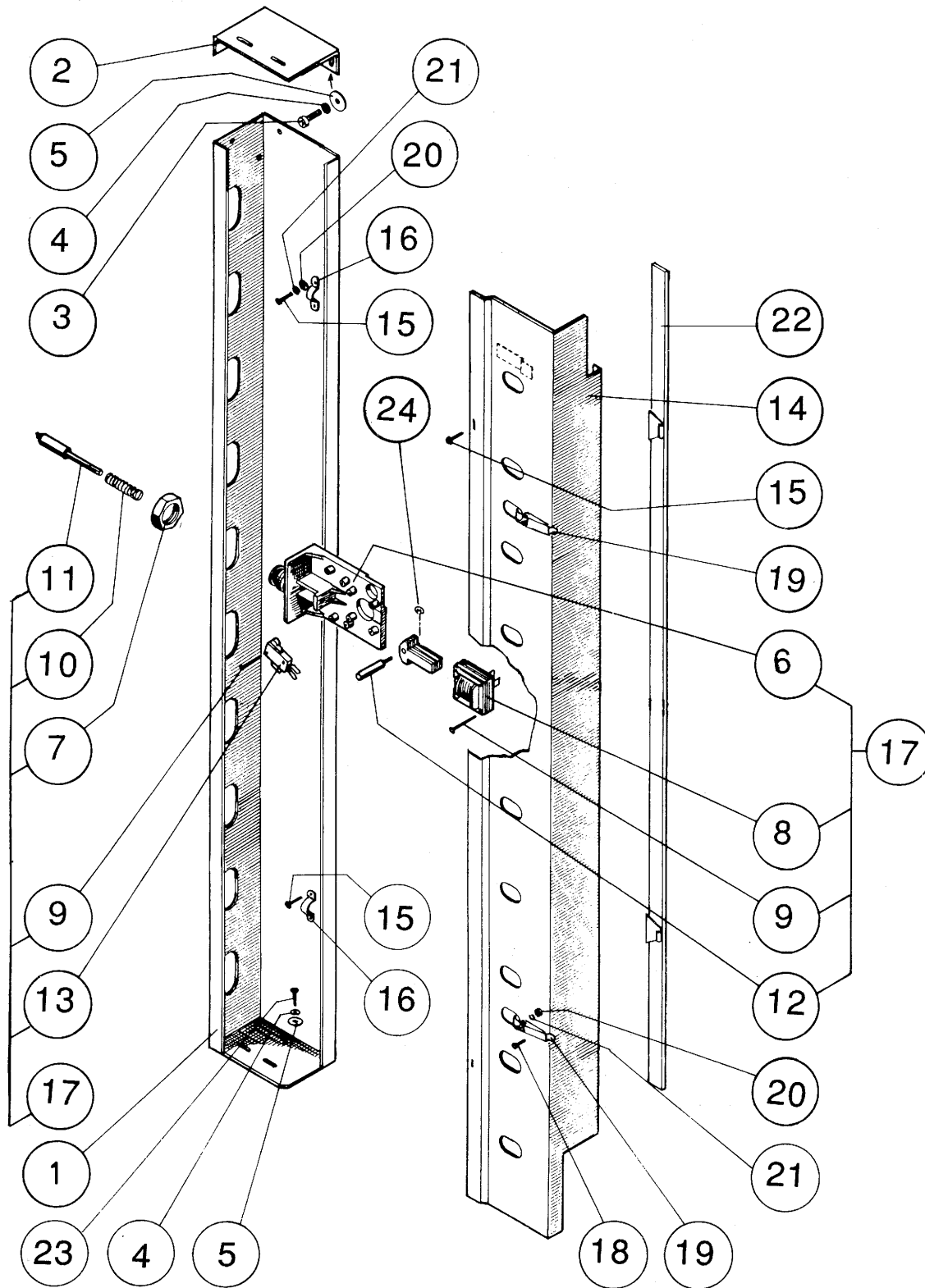


COMPLETE REFRIGERATION ASSEMBLY

Item	Part Number	Qty.	Description
1	840.075	1	Refrigeration Unit Assembly - 115V
2	740.185	1	Condensing Unit Base
3	410.315	1	Condenser - 1/2 HP
4	740.012	1	Fan Motor Support
5	410.385	1	Fan Motor
6	410.540	1	Relay
7	410.550	1	Capacitor
8	410.545	1	Overheat Protector
9	410.245	1	Compressor - 1/2 HP
10	410.386	1	Motor Fan
11	410.045	1	Filter - Drier
12	410.085	1	Discharge Service Valve
13	410.097	1	Suction Service Valve
14	204.125	3	Flat Washer - M8 x 24 Large
15	201.325	2	M8 x 12 Screw
16	410.435	1	Refrigerant Tank
17	204.425	1	M8 Spring Washer
18	203.025	1	M8 Hex Nut
19	203.020	14	M6 Hex Nut
20	204.110	6	Flat Washer - M6 x 18 Large
21	201.315	6	M6 x 16 Screw
22	201.320	4	M6 x 35 Screw
23	410.272	1	Vibrator - Damping Type
24	204.115	4	Flat Washer - M6 x 24 Large
25	740.180	1	Cover - Condensing Unit
26	740.045	1	Evaporator Unit Funnel Assembly
27	400.320	1	Condensing Unit Drip Pan
28	300.480	1	Grommet 15M
29	740.170	1	Front Plate - Condensing Unit
30	200.040	A/R	M3.9 x 9.5 Phil Hd Screw
31	410.098	1	Sight Glass
32	840.080	1	Evaporator Assembly -H.D. 115V
33	400.315	1	Evaporator Bottom Drip Tray
34	740.106	1	Cover - Evaporator
35	740.095	1	Support - Evaporator Fan
36	108.120	1	Drain Pipe
37	740.070	1	Evaporator Support Assembly
38	410.280	1	Thermostatic Expansion Valve
39	410.350	1	Evaporator Fan - 1/2 HP
40	410.360	1	Evaporator
41	400.310	1	Evaporator Inner Drip Tray
42	300.130	1	Clamp
43	300.300	1	Capacitor

ELECTRIC COLUMN ASSEMBLY

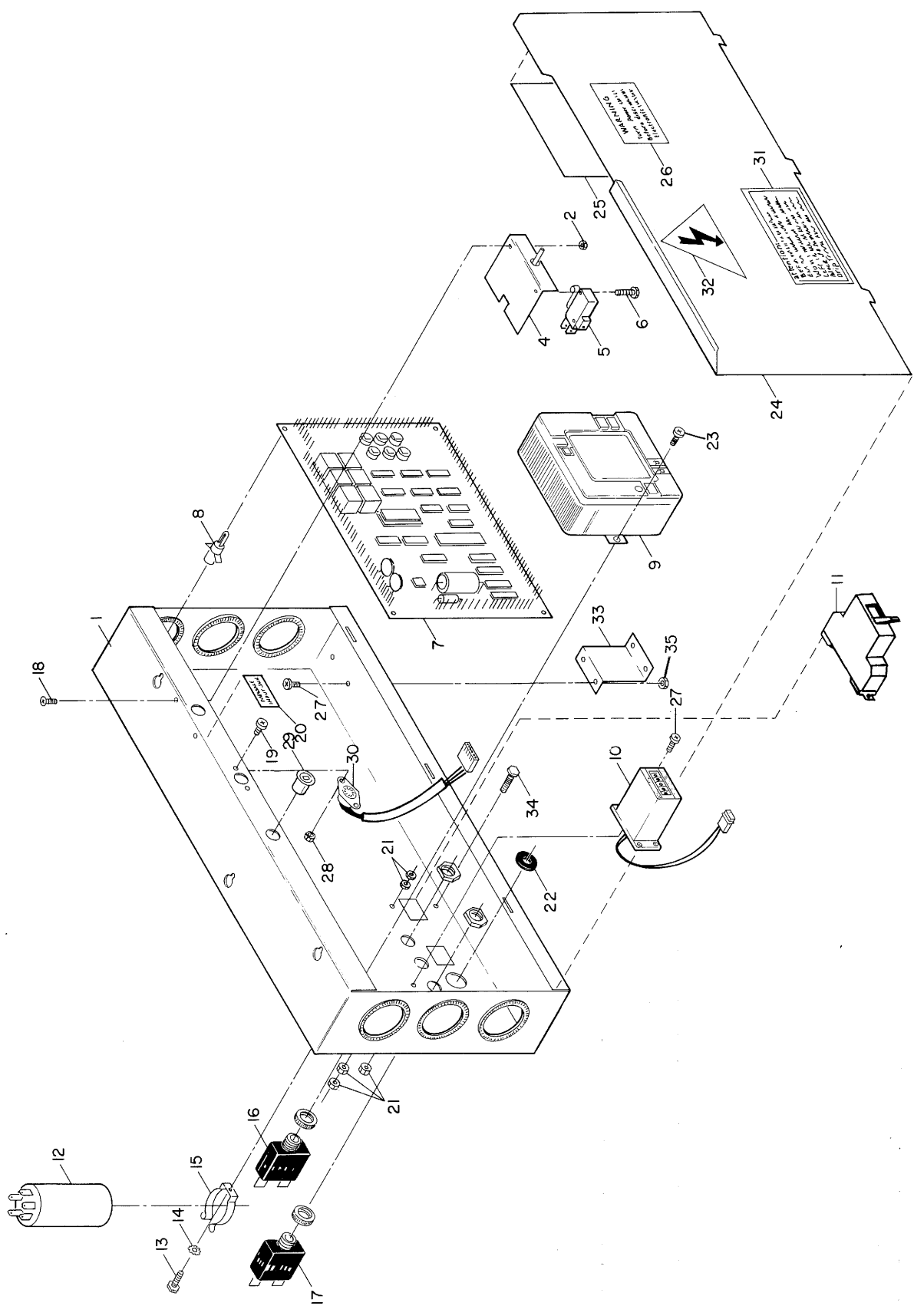
Part Number 301.090



ELECTRIC COLUMN ASSEMBLY

Item	Part Number	Qty.	Description
	301.090	1	Electric Column Assembly
1	701.100	1	Column
2	701.085	1	Fixing Plate
3	201.210	3	M6 x 10 Screw
4	204.420	7	M6 Spring Washer
5	204.110	7	M6 x 18 Flat Washer
6	400.225	10	Solenoid Mounting Bracket
7	400.220	10	M26 Plastic Nut
8	300.776	10	Drum Solenoid
9	200.005	60	M3 x 25 S.M.S.
10	211.005	10	Spring - Piston
11	400.040	10	Piston
12	700.100	10	Pin - Piston
13	300.470	10	Microswitch - Solenoid
14	701.165	1	Bracket Cover
15	200.040	6	M4 x 10 S.M.S.
16	300.122	2	Bracket
17	1200187	1	Complete Drum Solenoid Assembly
18	200.025	4	M4 x 8 S.M.S.
19	210.005	2	Snap Lock
20	204.305	6	M4 Nut
21	204.205	6	M4 Spring Washer
22	701.055	1	Release Rod
23	201.220	4	M6 x 15 Screw
24	4200746	10	Retaining Ring - Piston Pin

CONTROL BOX ASSEMBLY

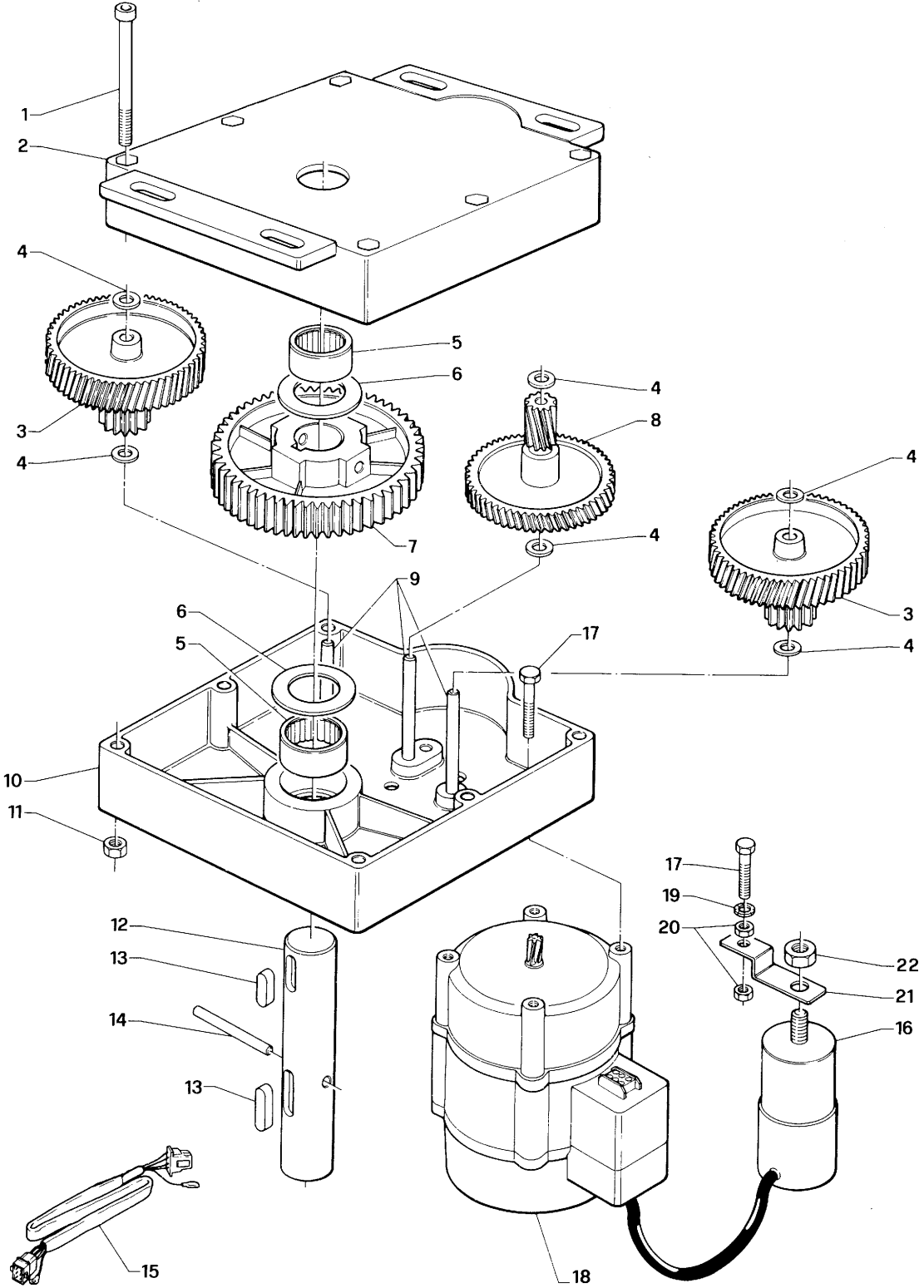


CONTROL BOX ASSEMBLY

ITEM	PART NUMBER	No. REQ'D	DESCRIPTION
1	1200059	1	Control Box Assembly
2	1200056	1	Control Box Weld Assembly
4	4050517	2	#4-40 Hex Nut
5	1210578	1	Door Switch Assembly
6	4200265	1	Microswitch - Door
7	201.010	2	M3 x 12 Screw
8	4200205	1	Control Board
9	4025723	4	Stand-Off
10	4200207	1	Timer-Omron
11	4200208	1	Counter (OPT)
12	4200267	1	Circuit Breaker
13	4200262	1	Line Filter
14	201.335	A/R	M4x .7P x 12 Hex Hd Brass M.S.
15	4050585	A/R	#8 Ext Shakeproof Lockwasher
16	4200263	1	Filter Mounting Clip
17	4033620	2	Breaker - 5 Amp
18	4033488	1	Breaker - 1/2 Amp
19	4200268	2	#4-40 x 1/2 Phil Flat Hd Csk Screw
20	4050018	2	#4-40 x 3/8 Phil Hd M.S.
21	4200196	1	Label-Message Input
22	203.010	A/R	M4 Hex Nut
23	4200266	1	Grommet-Rubber
24	4050420	2	#8-18 x 1/4 Ind Phil Hex hd Type "B" M.S.
25	1200076	1	Control Box Assembly
26	4200197	1	Label- Control Board
27	8620711	1	Label-Power Switch Warning
28	4050234	2	#8-32 x 3/8 Slotted Hd M.S.
29	4050517	2	#4-40 Hex Nut
30	4200264	1	Door Magnet
31	1210581	1	Data Jack & Cable Assembly
32	4200398	1	Label-Drum Warning
33	4200399	1	Label-Electric Hazard
34	4200145	1	Control Box Support Bracket
35	201.340	1	M4 x .7P x 16 Hex Hd Brass M.S.
35	4050513	2	#8-32 Nut

GEAR CASE ASSEMBLY

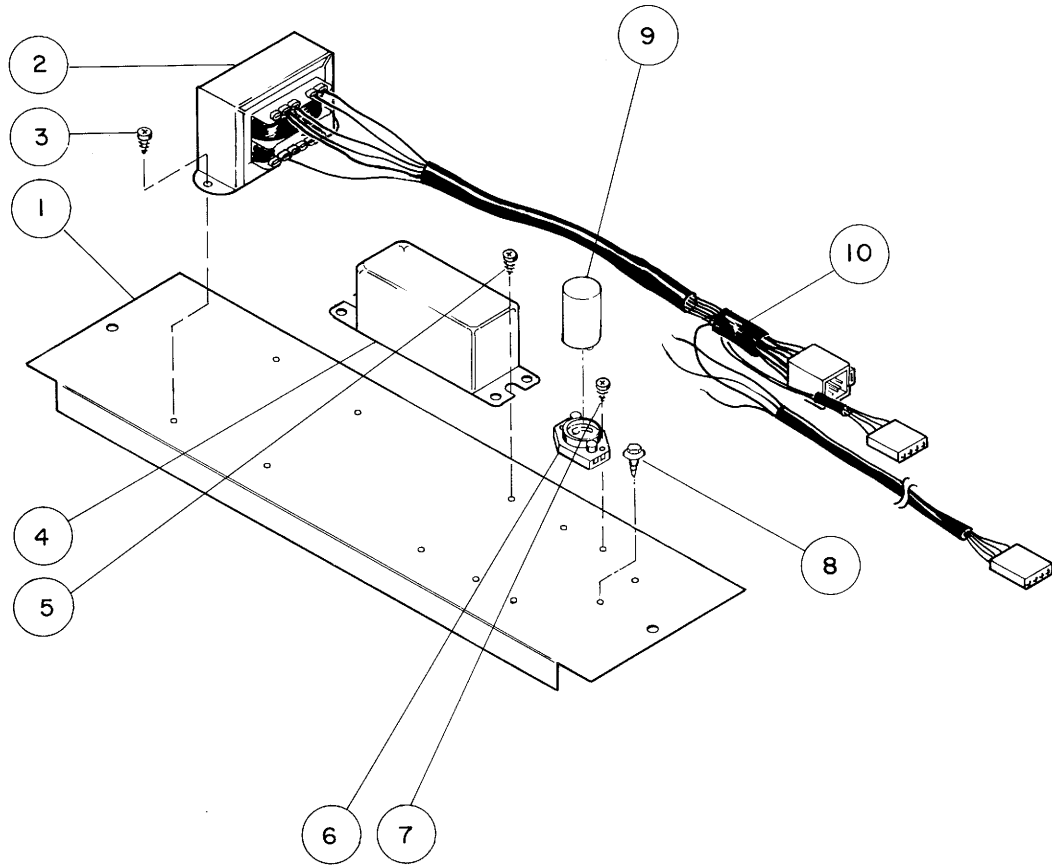
Part Number 302.030



GEAR CASE ASSEMBLY

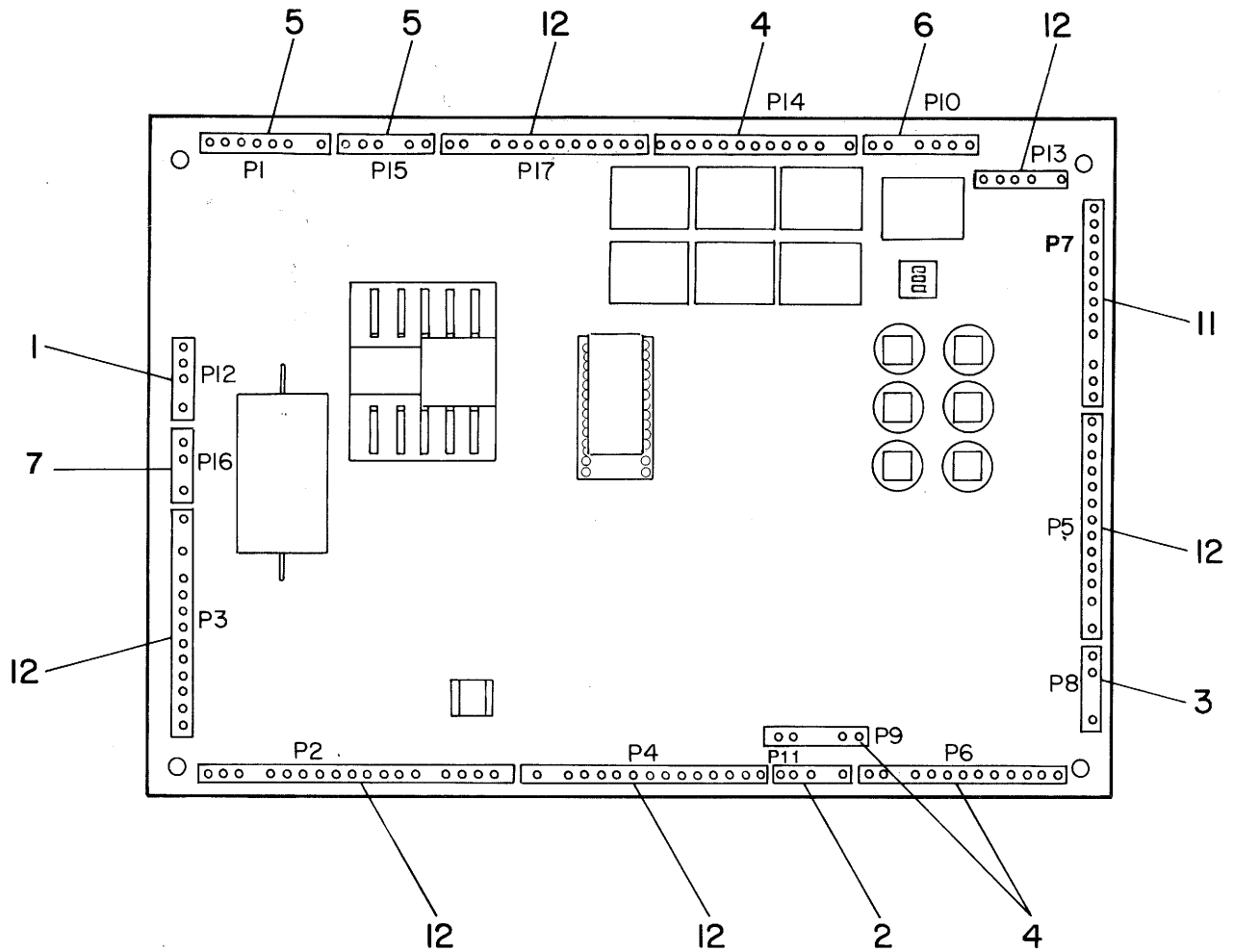
Item	Part Number	Qty.	Description
	302.030	1	Gear Case Assembly with Motor
1	201.233	4	M6 x 55 Screw
2	700.295	1	Cover
3	400.430	2	Gear Wheel Z70
4	209.025	6	Flat Washer M6 x 14-Special
5	209.020	2	Bearing Pin
6	209.030	2	Flat Washer M25 x 42-Special
7	400.425	1	Gear Wheel - Z90-18
8	400.435	1	Gear Wheel - Z63
9	209.035	3	Shaft - M6 x 60
10	700.296	1	Bottom Gear Cover
11	203.020	4	M6 Hex Nut
12	700.285	1	25MM Shaft
13	210.030	2	Sunk Key -M6 x 6 x 20
14	207.030	1	Elastic Pin - M5 x 40
15	300.555	1	Harness - Motor Drive
16	300.306	1	Capacitor
17	201.305	5	M4 x 8 Screw
18	302.015	1	Motor - 110/115V
19	204.205	1	M4 Star Washer
20	203.010	2	M4 Hex Nut
21	210.555	1	Bracket
22	203.025	1	M8 Hex Nut
	730.255	1	Gasket

CROSS-MEMBER COMPONENT ASSEMBLY



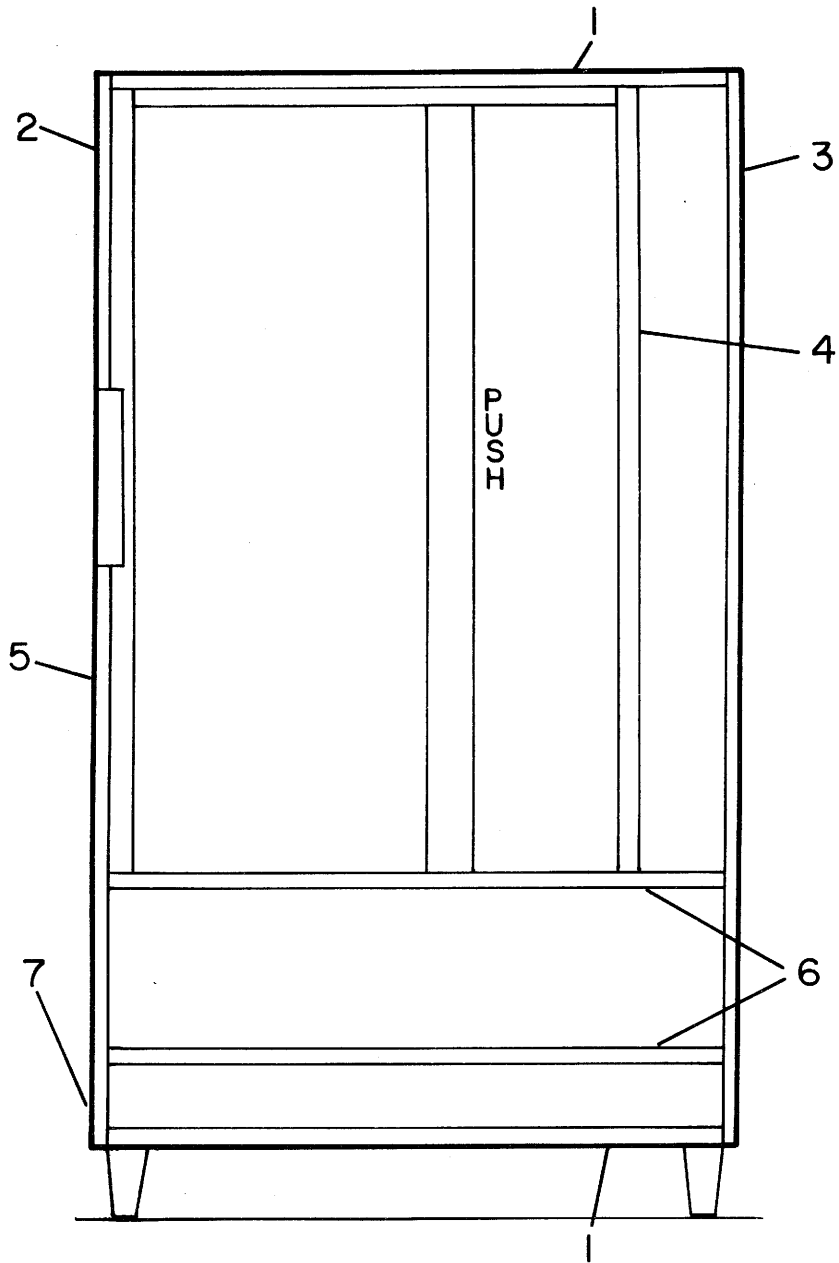
Item	Part Number	Qty.	Description
	1200060	1	Cross-Member Component Assembly
1	750.030	1	Transformer Plate
2	4200178	1	Transformer
3	4050202	2	#8-18 Tek Screw
4	300.320	2	Ballast
5	200.040	4	M4 x 10 S.M.S.
6	300.220	2	Starter Socket
7	200.030	2	M4 x 16 S.M.S.
8	4050202	1	#8-18 x 1/2 Phil Hex Washer Hd Tek Screw
9	300.315	2	Starter
10	4200253	1	Harness - Transformer

HARNESS LOCATION



Item	Part Number	Qty.	Description
1	1210581	1	Input Jack & Cable Assembly
2	4200255	1	Harness - Discount Timer
3	4200256	1	Harness - Door Switch
4	4200254	1	Harness - Cabinet
5	4200257	1	Harness - Power
6	4200246	1	Harness - Delivery Door
7	4200248	1	Harness - Cash Meter
	4200249	1	Harness - Breaker
	4200251	1	Harness - Lamp Rear
	4200252	1	Harness - Lamp Top
11	4200247	1	Harness - Reed Switch (Home)
12	4200245	1	Harness - Door

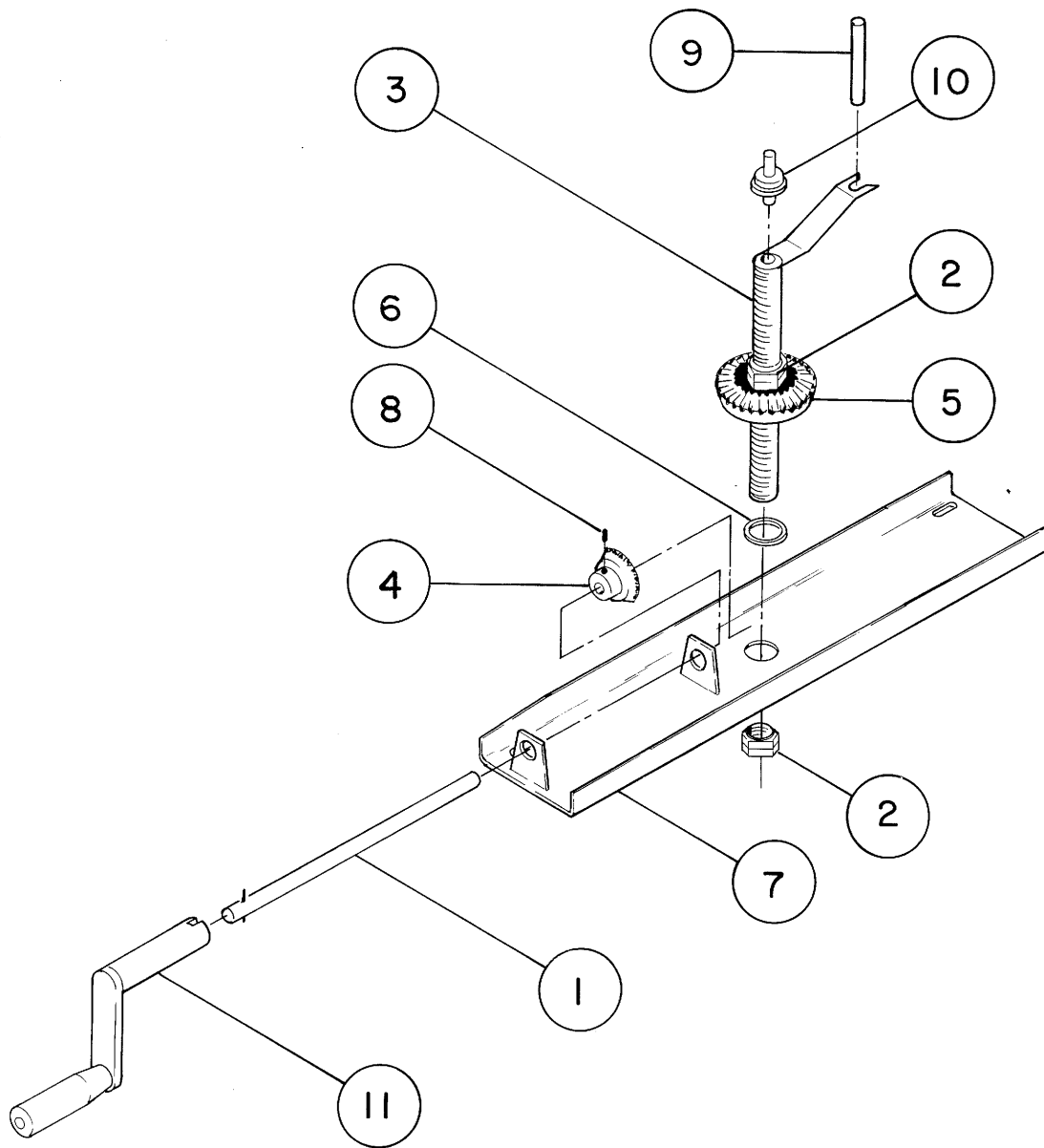
FOOD MART TRIM



NO.	PART NUMBER	SIZE	QTY
1	4200768	39- 5/16" x WIDE	2
2	4200770	25" x WIDE	1
3	4200767	65- 1/4" x WIDE	1
4	4200771	49- 15/16" x NARROW	1
5	4200769	29- 5/16" x WIDE	1
6	4200772	39- 1/8" x NARROW	2
7	4200748	TRIM MOUNT SCREW	23

COMPLETE LIFTING GEAR ASSEMBLY

Part Number 803.040



Item	Part Number	Qty.	Description
	830.040	1	Complete Lifting Gear Assembly
1	700.186	1	Bar
2	700.184	4	M16 Hex Nut
3	700.185	1	Screw Spindle
4	400.005	1	Bevel Gear Wheel (Small Z16)
5	400.010	1	Bevel Gear Wheel (Large Z32)
6	700.250	1	Flat Washer
7	700.287	1	Support Frame Weld Assembly
8	700.188	1	Elastic Pin #4
9	700.050	1	Shaft
10	209.007	1	Bearing - Drum Column
11	208.025	1	Crank Handle
	700.246	1	Pin - Bearing

NOTES