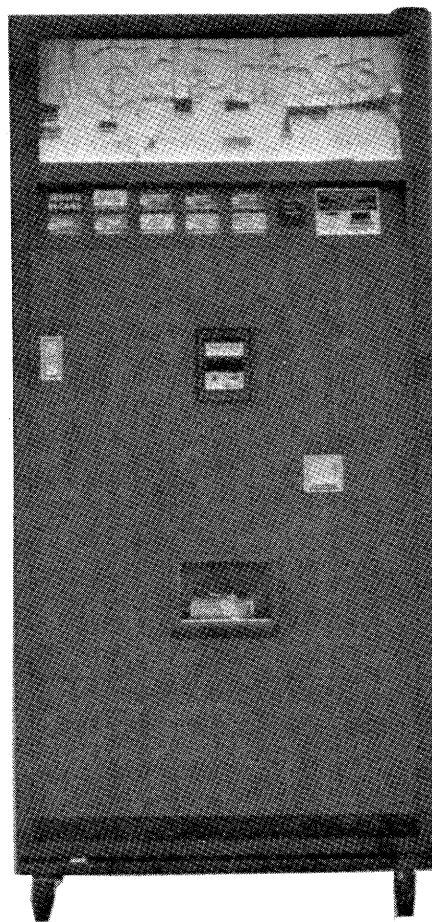


CD 5/4 EC
9 SELECTION COMBO
"ELECTRONIC" CONTROL SYSTEM



MODEL 2087E
PARTS MANUAL

Part Number 4200720

REV. JUNE, 1988

TABLE OF CONTENTS

Parts Ordering Procedure	1
Unit Final Assembly.....	2,3
Complete Cabinet Assembly	4,5
Refrigeration Chassis Assembly	6,7
Complete Ejector Mech. Assembly	8,9
Complete Can Rack Assembly	10,11
Inner Door Assembly.....	12,13
Complete Juice Stack Assembly	14,15
Complete Circuit Board Assembly.....	16,17
Light Assembly	18
Selectör Button Assembly	19
Dashboard Final Assembly	20,21
Outer Door Final Assembly	22,23
Maka Validator Installation	24
Mars Validator Installation.....	25

PARTS ORDERING PROCEDURE

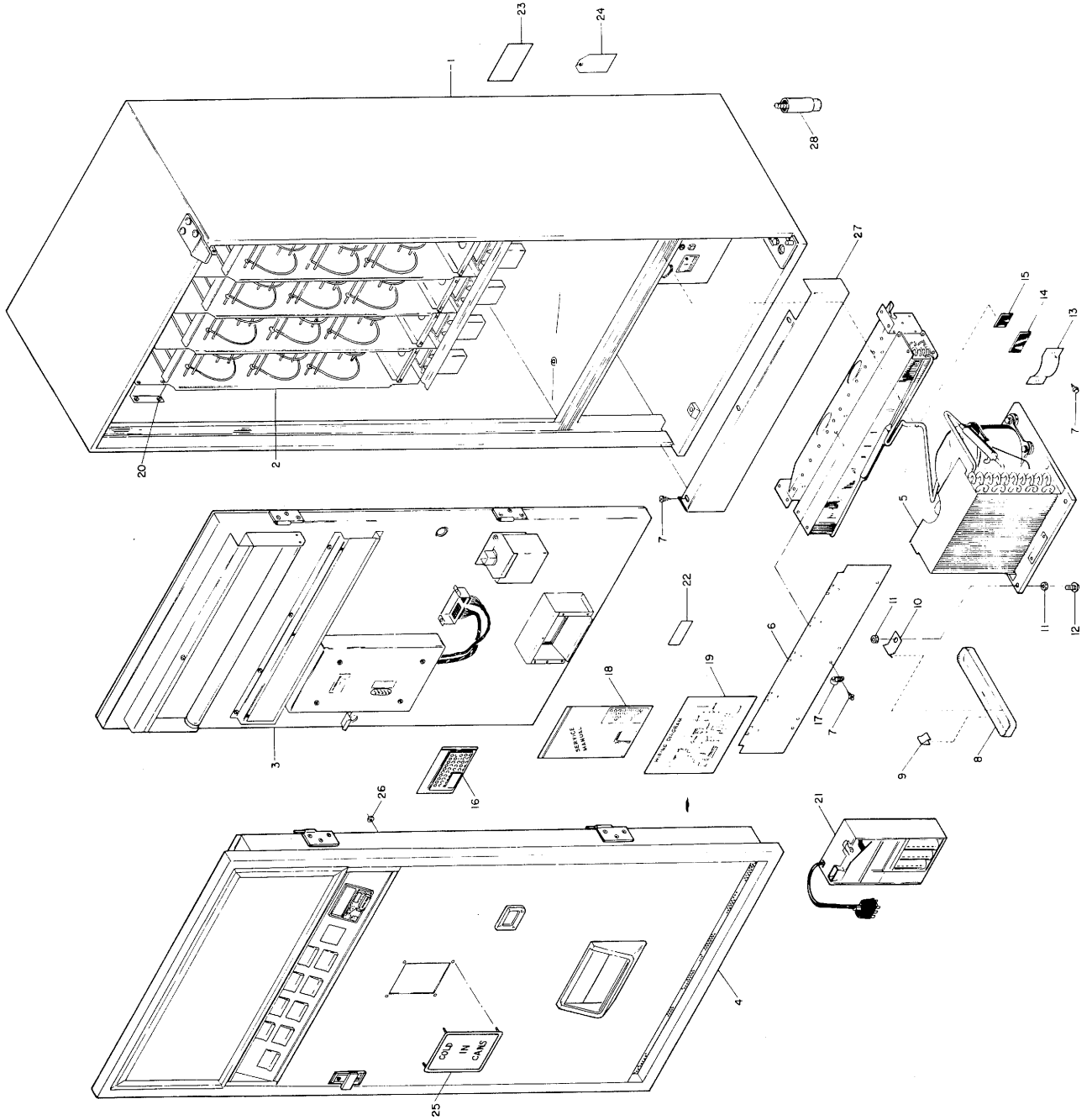
When ordering parts, include the following information:

1. Shipping address.
2. Address where invoice should be sent.
3. The number of parts required.
4. Always refer to the pertinent parts and/or service manual for the correct part number and description of the specific part.
 - (A.) If you do not have the right parts manual at the time you order contact **SELECTIVEND**, P. O. Box 488, 165 No. 10th Street, Waukee, IA 50263. They will provide a copy for you. Don't hold the order pending receipt of the parts manual; use the most accurate description possible (and the model number and serial number of the machine); include the name of the assembly in which the part is used and, if practical, a sample part. Furnish any information which will enable our Order Department to pinpoint the exact part needed.
 - (B.) When "**RIGHT**" and "**LEFT**" are used in connection with the name of a part, it is taken to mean that the person is facing the machine.
5. Always include model number and serial number of the machines for which the parts are needed.
6. List any special shipping instructions.
 - (A.) Always note if you require air or air special, truck, parcel post, or rail. If a specific carrier is requested, include this on the order.
7. Sign the order and note the date entered on the order.
8. When a purchase order number is used, be sure that it is legible and visible. Mail your order to:

SELECTIVEND
P. O. Box 488
165 North 10th Street
Waukee, Iowa 50263

All orders are carefully packed and inspected prior to shipping. Damage incurred during shipment should be reported immediately and a claim should be filed with the terminating carrier.

UNIT FINAL ASSEMBLY
P/N 1200172

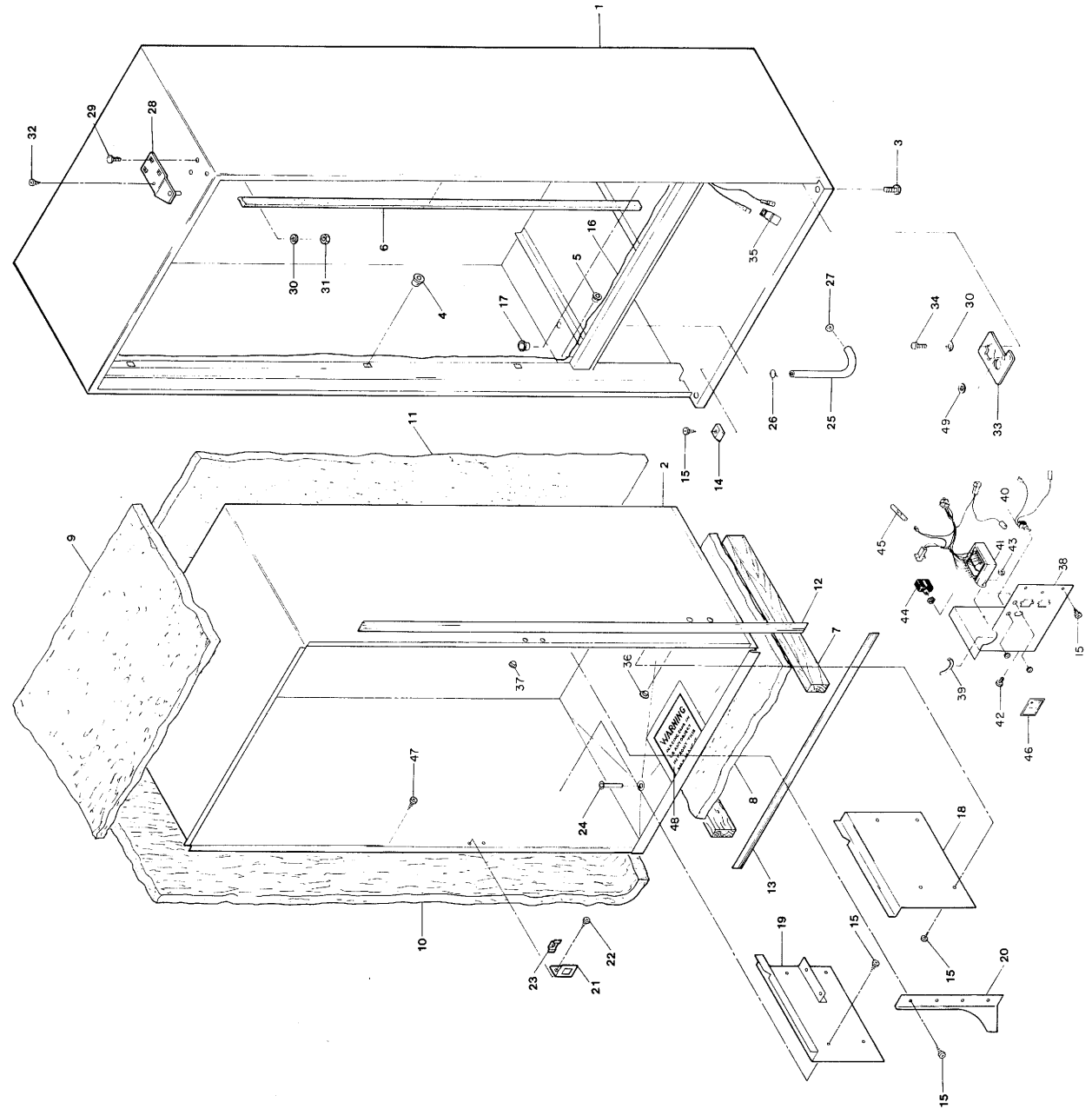


UNIT FINAL ASSEMBLY

ITEM	PART NUMBER	NO. REQ'D	DESCRIPTION	ITEM	PART NUMBER	NO. REQ'D	DESCRIPTION
1	1200172	1	Unit Final Assembly		4020736-000	1	Price Tab Sheet 55c thru 65c
2	1102802	1	Complete Cabinet Assembly		4020736-001	1	Price Tab Sheet \$1.60
3	1102350	1	Complete Can Rack Assembly		4020737-000	1	Price Tab Sheet 70c thru 80c
4	1102806	1	Inner Door Final Assembly		4020737-001	1	Price Tab Sheet \$1.65
5	1102803	1	Outer Door Final Assembly		4020738-000	1	Price Tab Sheet 85c thru 95c
6	1102407	1	Refrigeration Chassis - Complete 1/3 HP		4020738-001	1	Price Tab Sheet \$1.70
7	7250058-000	1	Air Baffle		4020739-000	1	Price Tab Sheet \$1.00 thru \$1.10
8	4050202	3	#8-18 x 1/2 Phil Hex Washer Hd Tek Screw	17	4020739-001	1	Price Tab Sheet \$1.75
9	7200623-000	1	Drain Pan	18	Not Used		Plastic Wire Clamp - 3/8"
10	7200341-000	1	Tube Clip	19	4060116	1	Service Package (Includes Item 16)
11	7201925-000	1	Anchor Clip	20	1102417	1	Wiring Diagram
12	4050066	4	5/16-18 Hex Nut	21	4020836	4	#10 x 1" Phil Truss Hd S.M.S.
13	4050065	2	5/16-18 x 1-1/4 Carriage Bolt	22	7200468-001	1	Coinco C-300-9404-Coin Mech
14	7200156-000	1	Cover, Refrigeration Tube		4060467	1	Coinco C-300-9234-Coin Mech
15	7200407-000	1	Seal, Refrigeration Tube		4060475	1	Mars MC-5000-Coin Mech
16	7200407-001	1	Seal, Refrigeration Tube	23	8620703	1	Model Label
	1102418	1	Selection & Price Label Package	24	4020687	1	Caution Sticker
	4020734-000	1	Price Tab Sheet 25c thru 35c	25	7102022-000	1	Caution Tag
	4020734-001	1	Price Tab Sheet 15c - 20c	26	4020334	1	Validator Plate Screen Assembly
	4020735-000	1	Price Tab Sheet 40c thru 50c	27	1102829	4	#8-32 F/M UniTorque Nut
	4020735-001	1	Price Tab Sheet \$1.55	28	4050494	1	Kick Panel
				29	4004291	4	4" Legs
					4060524	4	

COMPLETE CABINET ASSEMBLY

P/N 1102802

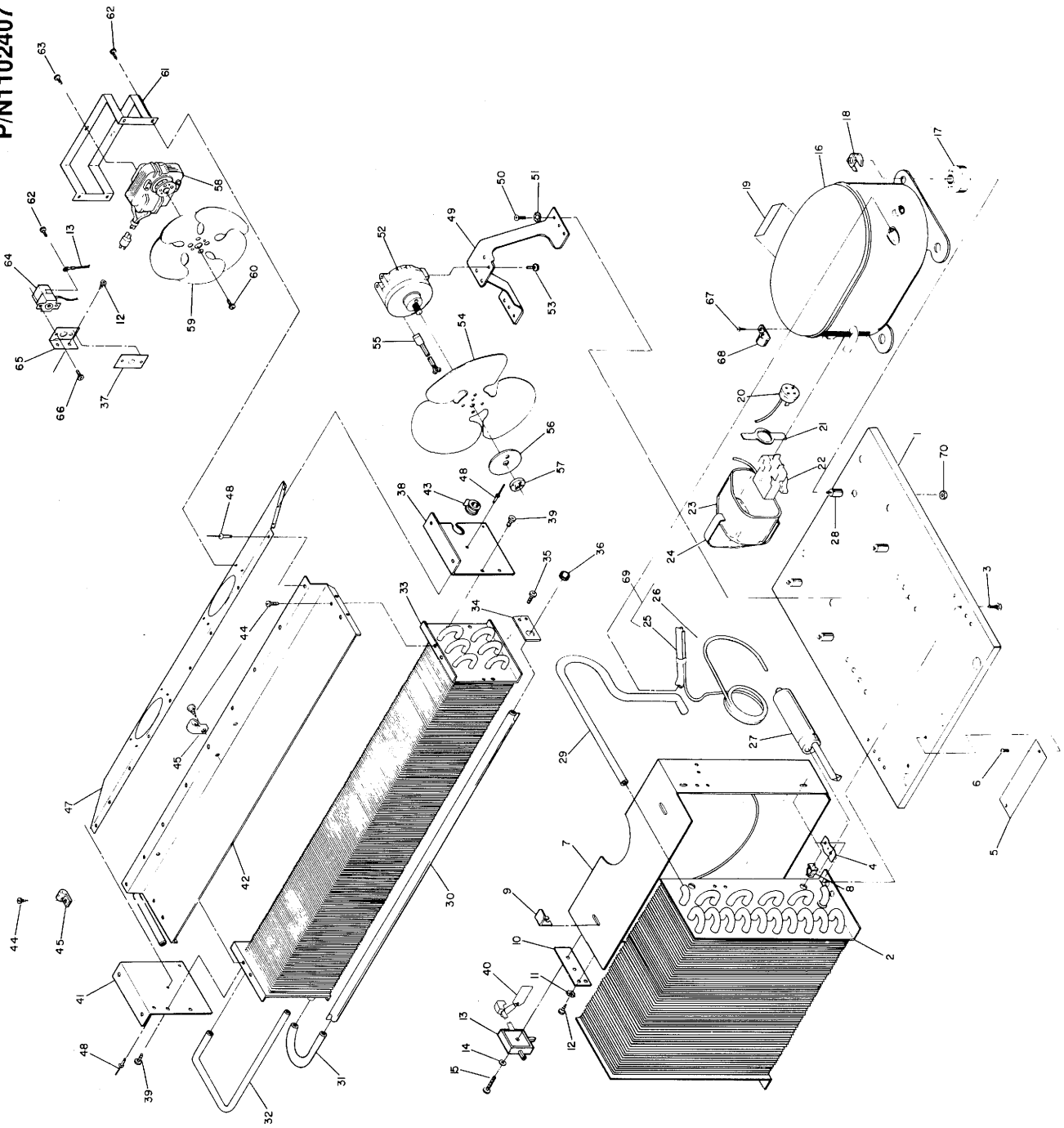


COMPLETE CABINET ASSEMBLY

ITEM	PART NUMBER	NO. REQ'D	DESCRIPTION	ITEM	PART NUMBER	NO. REQ'D	DESCRIPTION
1	1102802	1	Complete Cabinet Assembly	25	4025410	17	1/2 ID-11/16 OD Mayon Tubing (Feet)
2	1102370	1	Cabinet Weld Assembly	26	4060103	1	11/16" Hose Clamp
3	1102369	1	Cabinet Liner Weld Assembly	27	4060411	1	Drain Tube Screen
4	4060310	4	Leg Leveler Assembly	28	1101127	1	Upper Hinge Stake Assembly
5	7090004-300	12	Plastic Grommet	29	4050099	3	5/16-18 x 3/4 Carriage Bolt
6	7200274-004	4	Snap Bushing.562 Hole	30	7186148-000	3	5/16 Lock Washer
7	7960247-000	13	A-Frame Gasket (Feet)	31	4050066	3	5/16 Hex Nut
8	4060444	2	Liner Support Wood	32	4050371	1	1/4-14 x 3/4 Ind Hex Washer Hd Tek Screw
9	4008877	1	Cabinet Insulation, Bottom	33	7600018-000	1	Lower Hinge Stake Assembly
10	4008881	1	Cabinet Insulation, Top	34	4050072	2	5/16-18 x 3/4 Hex Hd Bolt
11	4008878	2	Cabinet Insulation, Sides	35	200276-000	1	Plug - Molex
12	7200952-005	1	Cabinet Insulation, Back	36	4060473	4	Plug - Hole 1/4"
13	7201475-010	2	Breaker Strip, Sides	37	4060472	2	Plug - Hole 5/16"
14	7201475-011	2	Breaker Strip, Top & Bottom	38	4003359	1	Transformer Housing
15	4025610	1	Door Guide	39	4025735	3	Trim Lok, Black (Inches)
16	4050202	16	#8-18 x 1/2 Phil Hex Washer Hd Tek Screw	40	4033511	1	Power Switch
17	7334795-002	1	Heater Wire	41	1200075-000	1	Transformer Assembly
18	4033683	1	Strain Relief Bushing	42	4050247	2	#8-32 x 1/2 Phil Pan Hd M.S.
19	1102362	1	Can Rack Support Weld Assembly - Right	43	4050513	2	#8-32 Twin Whiz Lock Nut
20	1102361	1	Can Rack Support Weld Assembly - Left	44	4033620	1	Circuit Breaker - 5 Amp
21	7201743-000	1	Can Rack Support - Center	45	4033527	1	Connector - Cig
22	7250048-000	1	Lock Nut Bracket	46	4020835	1	Label - Power Switch
23	7331790-000	2	1/4-20 x 1 Phil Hd Tapite	47	7200468-001	8	#10 x 1 Phil Truss Hd S.M.S.
24	4050760	1	1/2-13 Cage Nut	48	8620495	1	Warning Label - Refer
	7100042-000	1	Drain Tube	49	4050767	1	Plastic Washer

REFRIGERATION CHASSIS ASSEMBLY

P/N1102407

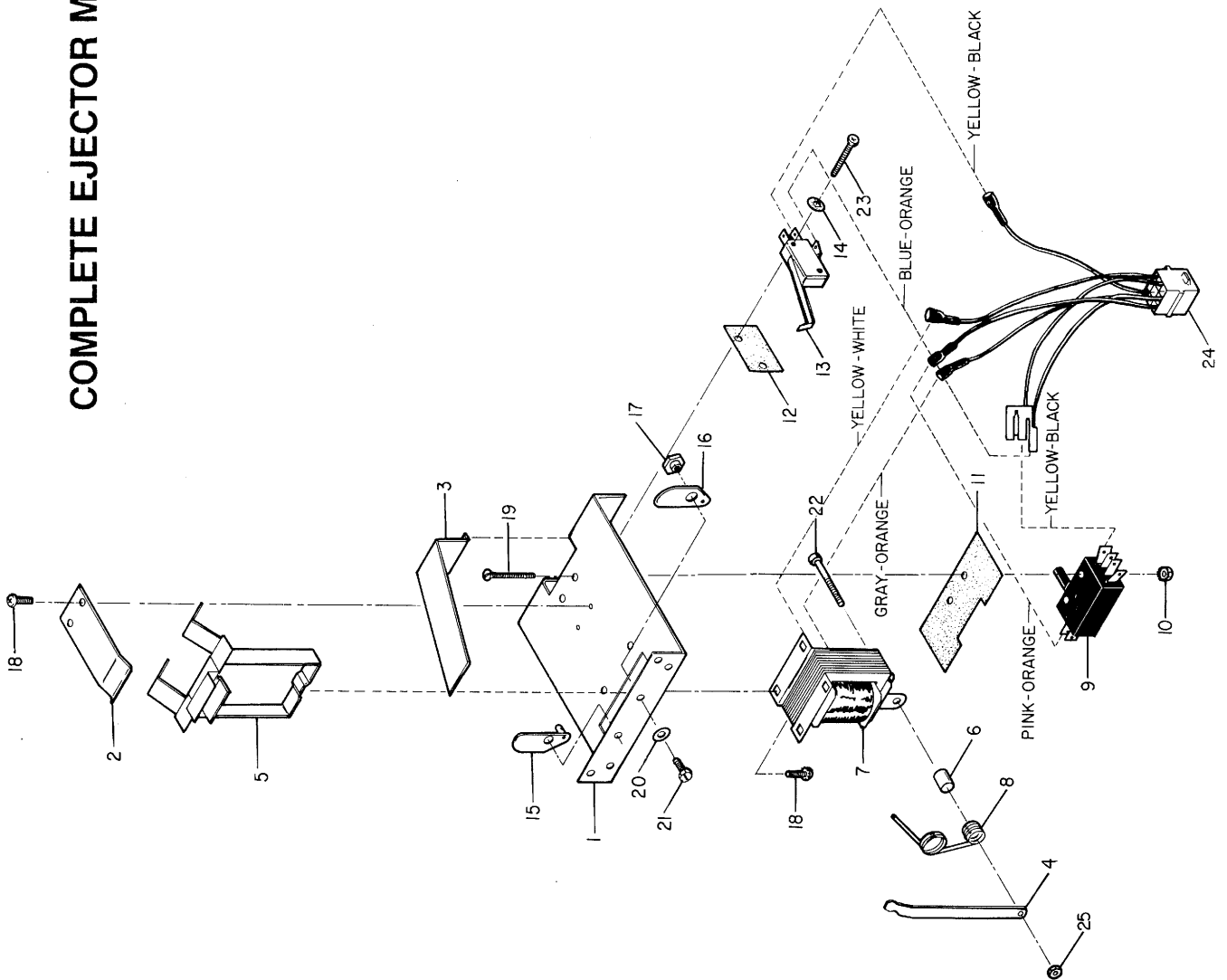


REFRIGERATION CHASSIS ASSEMBLY

ITEM	PART NUMBER	NO. REQ'D.	DESCRIPTION	ITEM	PART NUMBER	NO. REQ'D.	DESCRIPTION
1	1102407	1	Refrigeration Chassis - Complete 1/3 HP	37	7333084-000	1	Decal - Thermostat
2	8343839	1	Base Plate	38	7332348-000	1	Evaporator End Plate, Right
3	7332338-000	1	Condenser Coil - 1/3 HP	39	Not Used		Tag-Instruction
4	7332393-000	4	1/4-20 x 3/8 Cap Screw	40	7186633-000	1	Evaporator End Plate, Left
5	7332416-000	2	Nut-Speed Twin Tinnerman Clip	41	7332348-001	1	Top Baffle Evaporator
6	7332440-000	1	Name Plate/Refrigeration System	42	7332357-000	1	Bushing, Strain Relief
7	7310475-000	1	Drive Screw Round Hd #4	43	4034157	1	#6 x 3/8 Phil Round Head S.M.S.
8	7332405-000	1	Shroud, Condenser Fan	44	7200468-006	5	Clamp, Cable
9	7332415-000	4	Clip Shroud, Side	45	7090002-704	2	
10	8336640	2	Clip Shroud, Top	46	Not Used		Evaporator Fan Shroud
11	7332413-000	1	Harness Mounting Bracket	47	7332351-000	1	Pop Rivet
12	4050585	1	#8 Ext Shakeproof Lockwasher	48	4050663	13	Bracket-Condenser Fan Mounting
13	7331309-000	1	#8 x 1/2 Phil Truss Hd Type A S.M.S.	49	8358154-1	1	1/4-20 x 7/16 Phil Truss Hd Tapite
14	7332502-000	1	Harness - Service (Refer Harness)	50	8800722	4	1/4 Ext. Shakeproof Lockwasher
15	4050585	1	#8 Shakeproof Lockwasher	51	4050593	4	Motor - 5 Watt Condenser Fan
16	7332392-000	1	#8 x 1-1/2 Phil Pan Hd S.M.S.	52	7332418-000	1	#8-36 x 5/16 Phil Pan Hd M.S.
17	7331563-000	1	Compressor - 1/3 HP AE 3440	53	7186154-000	4	Fan Blade 8-3/4 x 26
18	8323090-1	4	Grommet - Compressor	54	7332420-000	1	Cord Extension 22 F Plug
19	7187888-000	4	Clip, Compressor Mounting	55	7332430-000	1	Silencer, Condenser Fan
20	7332492-000	1	Decal - Refrigerant Warning	56	7187394-000	1	Nut - Condenser Fan Blade
21	7331565-000	1	Overload	57	7186097-000	1	Fan Motor - 4-1/2 Watt
22	7187637-000	1	Spring-Overload	58	7331297-000	1	Fan Blade C.C.W.
23	7331564-000	1	Relay	59	7186825-000	1	#3-48 x 3/16 Slotted Rd Hd M.S.
24	8344308	1	Cover	60	7186811-000	2	Motor Mount
25	7187636-000	1	Strap Bale	61	7330391-000	1	#8-18 x 1/2 Phil Hex Washer Hd Tek Screw
26	4003720	1	Line Suction 5/16 O.D.	62	4050202	9	#10-32 x 5/16 Phil Rd Hd M.S.
27	8902701-2	1	Tube, Capillary	63	8800456	2	Thermostat (Furnished w/Refrigerator Unit)
28	7189453-000	1	Drier	64	4034324	1	Bracket-Thermostat
29	8343872	4	Stud-Mounting	65	7332408-000	1	#8-32 x 3/8 Phil Truss Hd M.S.
30	7332437-000	1	Discharge Line	66	4050234	2	#10 x 3/8 Phil Truss Hd Type B SMS
31	7332073-000	1	Accumulator	67	7310059-000	1	Clamp-Suction Line
32	7332422-000	1	Tube, Accumulator Connecting	68	7332446-000	1	Suction Line Assembly
33	7332423-000	1	Tube, Capillary Connecting	69	1102406	1	3/8 - 16 Hex Nut w/Ext Lockwasher
34	7332400-000	1	Coil Evaporator	70	88000949	4	
35	7332384-000	1	Bracket, Accumulator Tube Support				
36	4050423	2	#8 x 3/8 Phil Truss Hd Type A Self-Tap				
	4034157	1	Grommet, for 7/16 Dia Hole 5/16 I.D.				

COMPLETE EJECTOR MECH ASSEMBLY

P/N 1210253

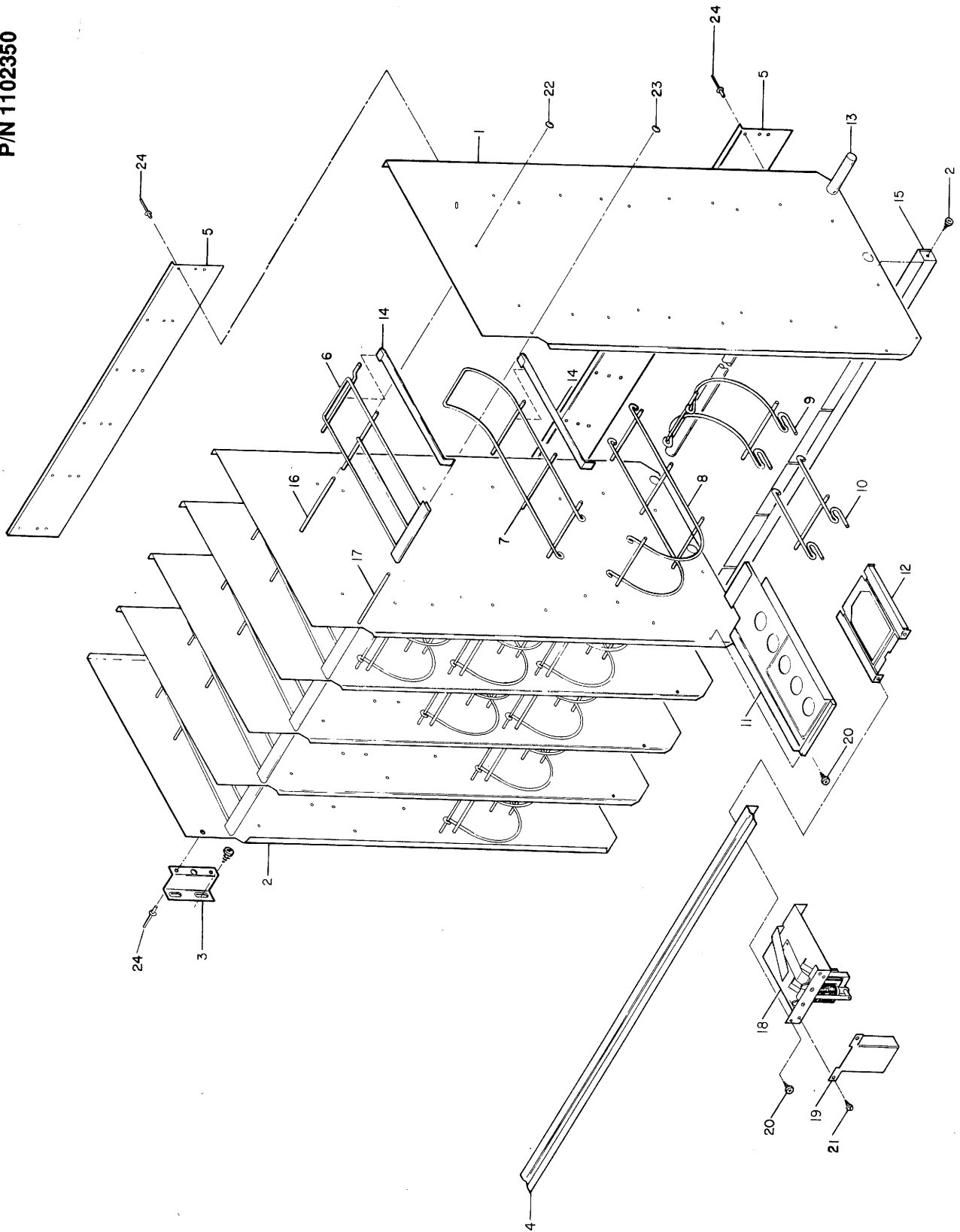


COMPLETE EJECTOR MECH ASSEMBLY

ITEM	PART NUMBER	NO. REQ'D.	DESCRIPTION	ITEM	PART NUMBER	NO. REQ'D.	DESCRIPTION
1	1210253	1	Complete Ejector Mech Assembly	14	7200798-000	1	Washer-Fiber 1/8 I.D.
2	7500359-000	1	Activator Plate Assembly	15	7500346-000	1	Cam Escapement, Left
3	7201127-000	1	Flat Spring	16	7500346-004	1	Cam Escapement, Right
4	7332210-000	1	Sold Out Switch Leaf	17	7201129-000	2	#10-32 Shoulder Nut
5	7201388-000	1	Lock Out Bar	18	7200470-002	6	#8-32 x 1/4 Phil Rd Hd S.E.M.S.
6	1102766	1	Ejector Assembly	19	4050149	2	#6-32 x 1 Phil Truss Hd M.S.
7	7201285-000	1	Spacer	20	7200729-004	2	#10 Flat Washer
8	7091050-300	1	Solenoid	21	7201200-000	2	#10-32 x 3/8 Hex Hd Locking Screw
9	7201421-000	1	Spring-Solenoid	22	8620633	1	#8-32 x 1-1/2 Socket Hd Screw GD 8
10	7200158-000	1	Switch-Sold Out	23	7200470-004	2	#4-40 x 5/8 Phil Pan Hd Self-Tap
11	4050505	2	#6-32 Twin Whiz Lock Nut	24	8620670	1	Ejector Mech Harness
12	7200155-000	1	Insulator	25	4050494	1	#8-32 F/M UniTorque Nut
13	7200144-000	1	Insulator				
	4034307	1	Switch-Stroke				

COMPLETE CAN RACK ASSEMBLY

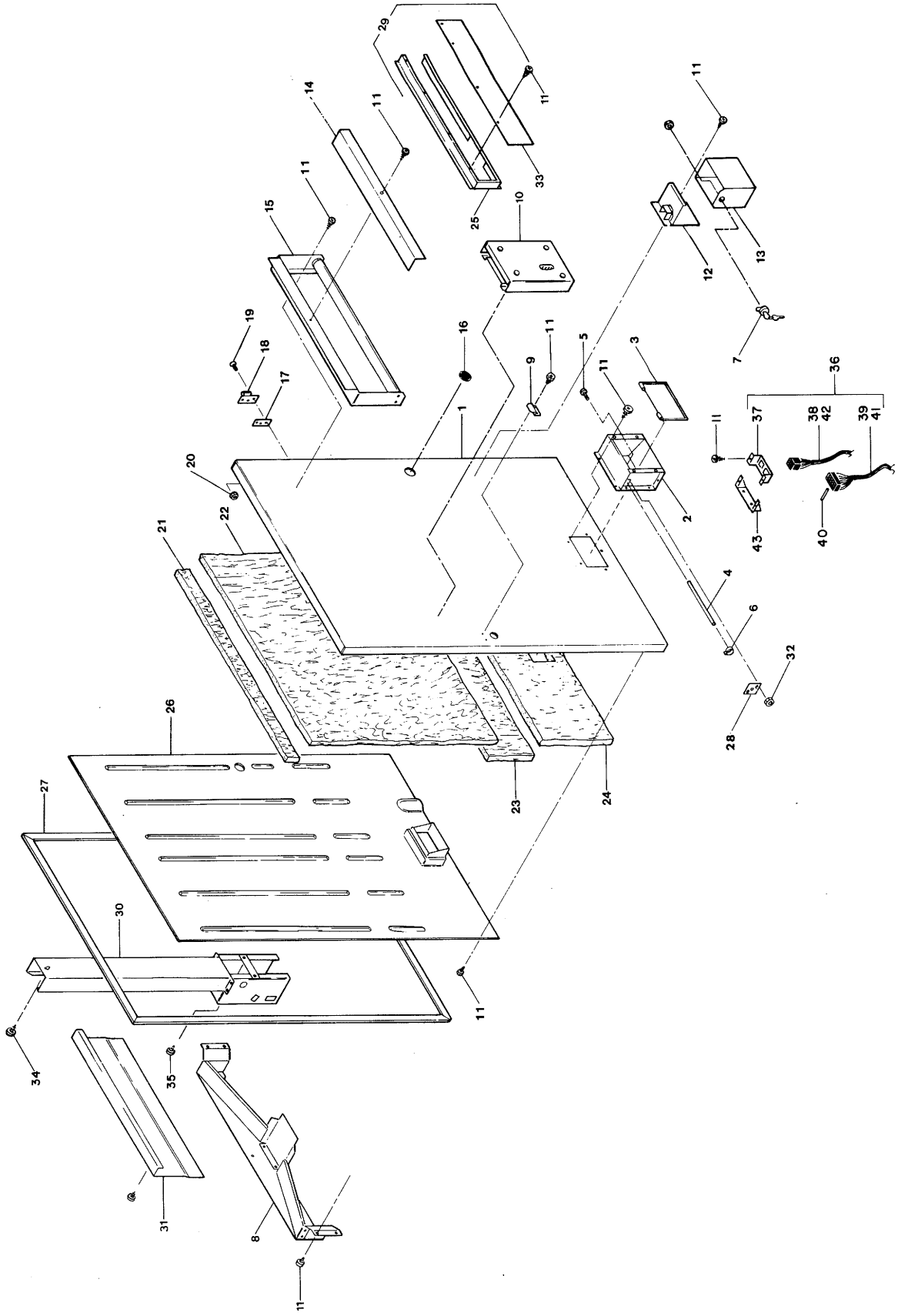
P/N 1102350



COMPLETE CAN RACK ASSEMBLY

ITEM	PART NUMBER	NO. REQ'D	DESCRIPTION	ITEM	PART NUMBER	NO. REQ'D	DESCRIPTION
1	1102350	1	Complete Can Rack Assembly	14	7331999-000	30	Retainer Strip
2	4004313-000	5	Right End Panel	15	4003827	1	Ejector Mech Angle Bracket
3	4004313-001	1	Left End Panel	16	7332473-000	4	.125 Dia. Tie Rod
4	4008887	2	Can Rack Retainer	17	7332474-000	19	.156 Dia. Tie Rod
5	7331981-000	1	Plate Ejector-5 Col.	18	1210253	5	Complete Ejector Mech Assembly
6	4008894	2	Tie Strip & Can Guide	19	7331812-000	5	Shield-Solenoid
7	7331977-000	5	Shelf - Upper	20	4050202	10	#8-18 x 1/2 Phil Hex Washer Hd Tek Screw
8	7331975-000	5	Loop Can Rack - Top	21	7200470-002	10	#8-32 x 1/4 Phil Rd Hd S.E.M.S.
9	7331974-000	25	Loop Can Rack - Center	22	7332477-000	4	.125 Dia. Push-On Nut
10	7331976-000	5	Loop Can Rack - Bottom	23	7332476-000	19	.156 Dia. Push-On Nut
11	4004314	5	Bottom Extension - Can Rack	24	4050667	28	Pop Rivet
12	4008892	5	Guard Can				
13	7331998-000	5	Shelf-Sold Out				
	8620197-000	1	Tube-Rack Support				

INNER DOOR ASSEMBLY
P/N 1102806

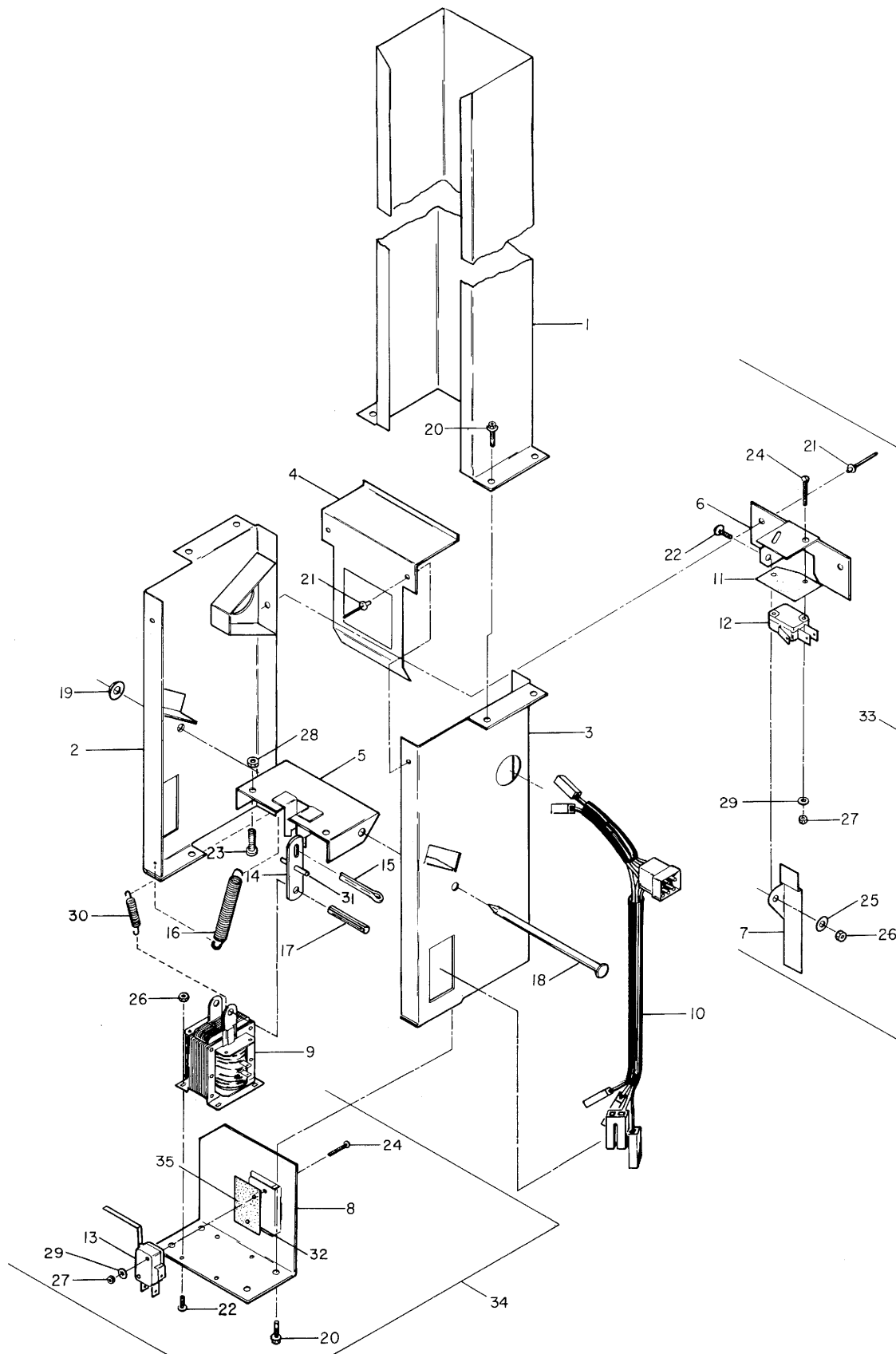


INNER DOOR ASSEMBLY

ITEM	PART NUMBER	NO. REQ'D	DESCRIPTION	ITEM	PART NUMBER	NO. REQ'D	DESCRIPTION
1	1102806	1	Inner Door Final Assembly	23	4003723	1	Inner Door Insulation, Middle
2	1102405	1	Inner Door Weld Assembly	24	4003724	1	Inner Door Insulation, Bottom
3	7600008-000	1	Outer Door Chute Assembly	25	4003356	1	Wire Cover Mounting Bracket
4	7334428-000	1	Vend Port Door	26	7250116-000	1	Inner Door Liner
5	7200650-004	1	Hinge Pin 8"	27	7250078-000	1	Door Gasket
6	7188598-000	4	#10-32 x 3/8 Carriage Bolt	28	4003745	2	Bracket - Delivery Door
7	7091078-000	2	Tubular Speed Nut (Tinnerman)	29	1200372	1	Harness Cover Assembly
8	7200253-XXX	1	Lock Assembly-Coin Box	30	1102808	4	Complete Juice Stack Assembly
9	7600009-000	1	Can Chute Assembly	31	4003715	1	Wire Cover
10	4009019	1	Door Strike	32	4050546	4	#10-32 Twin Whiz Lock Nut
11	1102807	1	Circuit Board Assembly	33	4003354	1	Harness Cover
12	4050202	A/R	#8-18 x 1/2 Phil Hex Washer Hd Tek Screw	34	4050438	4	#10 x 1 1/16 Phil Truss Hd S.M.S.
13	1102271	1	Coin Box Holder Weld Assembly	35	4050431	8	#10 x 5/8 Phil Truss Hd S.M.S.
14	1102270	1	Coin Box Weld Assembly	36	8210249	1	Dual Coin Mech Plug Assembly
15	7250175-000	1	Light Assembly Cover	37	4003671	1	Plug Bracket
16	7600071-000	1	Light Assembly	38	4034312	1	Female Plug - Mars
17	4025682-000	1	1-1/2" Button Plug (w/Hole)	39	4034306	1	Female Plug - Coinco
18	7250059-000	2	Inner Door Hinge Spacer	40	4034314	3	Mounting Pins
19	7250101-002	2	Butt Hinge-Female	41	8620662	1	Harness, Coin Mech - Coinco
20	4050338	6	#10-32 x 1/2 Phil Flat Hd Cap Screw	42	8620663	1	Harness, Coin Mech - Mars
21	4050495	6	#10-32 F/M UniTorque Nut	43	4003363	1	Plug Bracket Holder
22	4003721	1	Inner Door Insulation, Top				
	4003722	1	Inner Door Insulation, Upper				

COMPLETE JUICE STACK ASSEMBLY

P/N 1102808

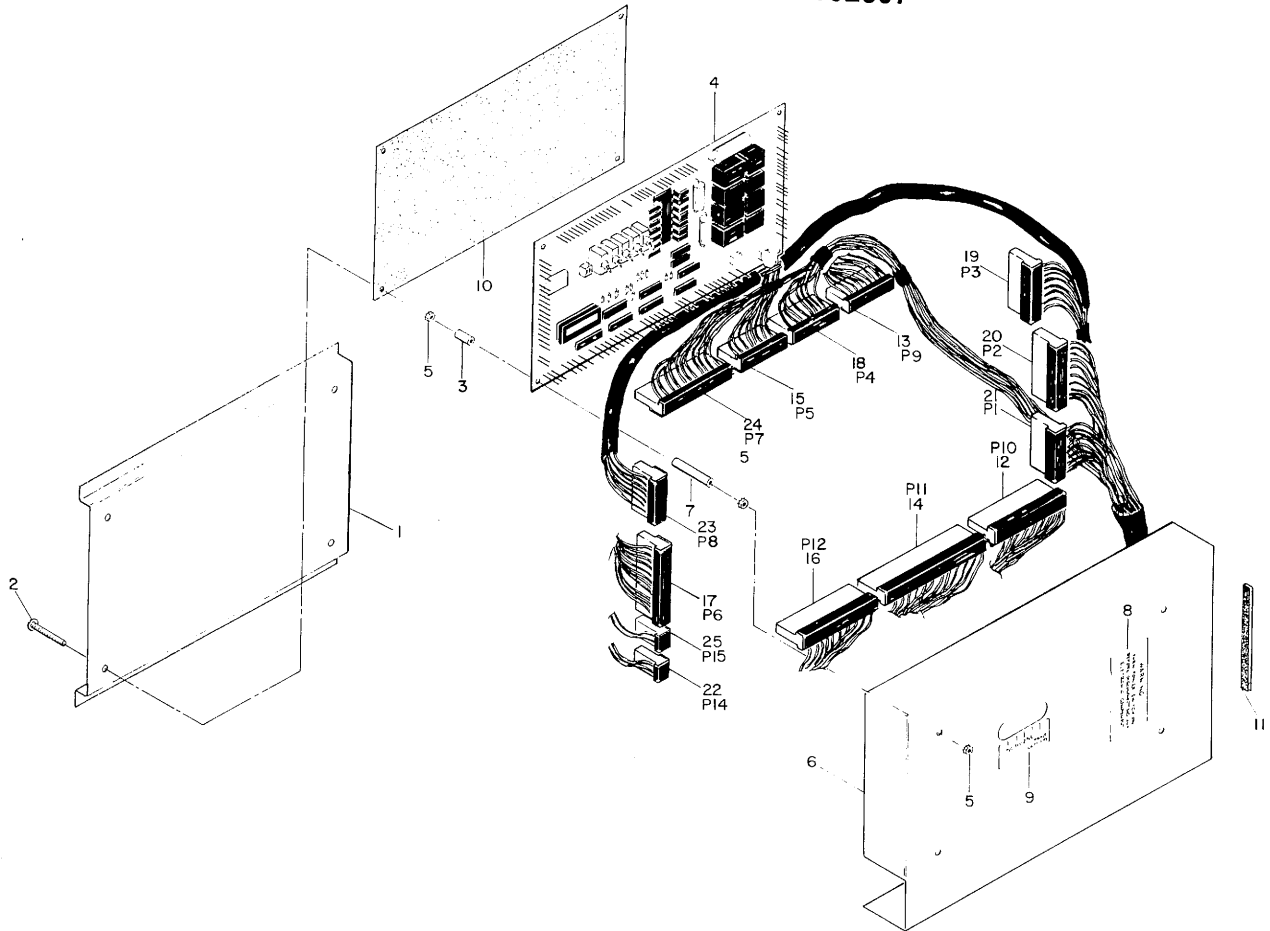


COMPLETE JUICE STACK ASSEMBLY

ITEM	PART NUMBER	NO. REQ'D.	DESCRIPTION	ITEM	PART NUMBER	NO. REQ'D.	DESCRIPTION
1	1102808	4	Complete Juice Stack Assembly	20	4050202	9	#8-18 x 1/2 Phil Hex Washer Hd Tek Screw
2	4008873	1	Stack Channel - Juice Stack	21	4050692	4	#SD-54-BS Pop Rivet 5/32 Dia.
3	1102371	1	Right Side Panel Weld Assembly	22	4050234	4	#8-32 x 3/8 Phil Truss Hd M.S.
4	1102372-001	1	Left Side Panel Weld Assembly	23	4050262	2	#8-32 x 3/4 Phil Pan Hd M.S.
5	4003714	1	Top Tie-In Bracket	24	4050014	2	#4-40 x 1-1/8 Phil Rd Hd M.S.
6	1102374	1	Drop Plate Weld Assembly	25	4030100	1	Stack Spacer Bushing
7	4004321	1	Sold Out Switch Mounting Bracket	26	4050494	4	#8-32 F/M UniTorque Nut
8	4003716	1	Sold Out Switch Activator	27	4050517	4	#4-40 Hex Nut
9	4004824	1	Full Stroke Switch Mounting Bracket	28	4050513	2	#8-32 Twin Whiz Lock Nut
10	7091050-301	1	Solenoid	29	4050013	2	#4-40 x 5/8 Phil Rd Hd M.S.
11	8620669	1	Harness - Juice Stack	30	4021020	1	Spring
12	4003735	1	Switch Insulator	31	4050746	1	Spring Pin M4 x 24
13	4033914	1	Helix Motor Cycle Switch	32	4050725	1	Roll Pin
14	4034202	1	Full Stroke Switch	33	1102404	1	Complete Sold Out Switch Bracket Assembly
15	4004316	1	Vend Bracket	34	1102366	1	Complete Full Stroke Switch Assembly
16	4050650	1	1/8 x 1" Cotter Pin	35	7200144-000	1	Switch Insulator
17	4021005	1	Cup Drop Spring		1102365	1	Drop Plate Screw Assembly (Not Shown)
18	4050728	1	3/16 x 1-1/8 Roll Pin				
19	4030401	1	Retainer Rod - Juice Stack				
	4050475	1	Tinnerman PushOn C6250-022 either /or				
	4050637	1	Tinnerman PushOn C10757-020				

COMPLETE CIRCUIT BOARD ASSEMBLY

P/N 1102807



CIRCUIT BOARD IDENTIFICATION

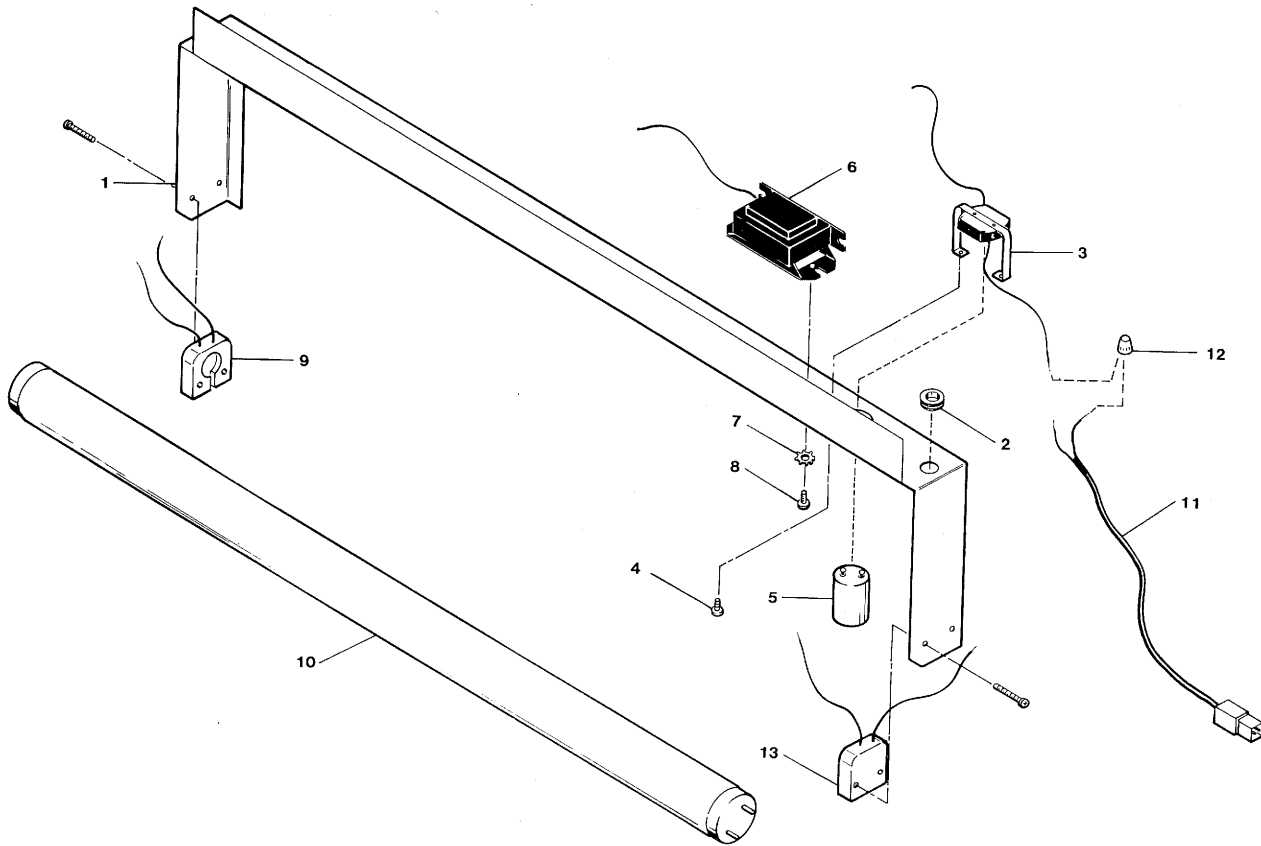
Plug #	Circuit Identification	No. 1 Wire Color	No. of Pins
P1	Power	WHT/ORN	8
P2	Vend Solenoids (6-12)	YEL/WHT	10
P3	Vend Solenoids (1-5)	GRN/WHT	7
P4	Sold Out Switches (6-12)	PNK/ORN	9
P5	Sold Out Switches (1-5)	YEL/ORN	7
P6	Selector (1-12)	RED/ORN	14
P7	Vend Complete Switches (6-12)	BLU/ORN	9
P8	Vend Complete Switches (1-5)	TAN/BLK	7
P9	Validator Plug	NOT CONNECTED	6
P10	Coin Mech - Mars	PUR	14
P11	Coin Mech - Coinco	WHT/BLU/BLK	19
P12	Display Board	WHT/BLK	14
P13	_____	_____	_____
P14	_____	_____	_____
P15	Door Switch	ORN/GRN	3

COMPLETE CIRCUIT BOARD ASSEMBLY

ITEM	PART NUMBER	NO. REQ'D	DESCRIPTION
	1102807	1	Complete Circuit Board Assembly
1	8620660	1	Circuit Board Mounting Bracket
2	8801317	4	#6-32 x 1-3/4 Slotted Rd Hd Screw
3	8620705	4	Stand-Off (Short)
4	8620689	1	Circuit Board (Mars)
5	4050505	8	#6-32 Twin Whiz Lock Nut
6	4003353	1	Circuit Board Cover
7	8620688	4	Stand-Off (Long)
8	8620711	1	Label - Power Switch Warning
9	8620695	1	Label - Price Setting
10	8620706	1	Insulator
11	4025735	9	Trim-Lok, Black (Inches)
12	8620663	1	Harness, Coin Mech (Mars)
13	4034383	1	Harness, Maka Validator
14	8620662	1	Harness, Coin Mech (Coinco)
15	p/o 4034338	1	Harness, Juice Stack Door
16	4034336	1	Harness, Display Board
17	4034340	1	Harness, Selector
18	p/o 4034334	1	Harness, Door
19	p/o 4034338	1	Harness, Vend Solenoid (1-5)
20	p/o 4034334	1	Harness, Vend Solenoid (6-12)
21	p/o 4034334	1	Harness, Power
22	8620758	1	Harness, Cash Meter (Option)
23	p/o 4034338	1	Harness, Vend Complete Switch (1-5)
24	p/o 4034334	1	Harness, Vend Complete Switch (6-12)
25	4034309	1	Harness, Door Switch

LIGHT ASSEMBLY

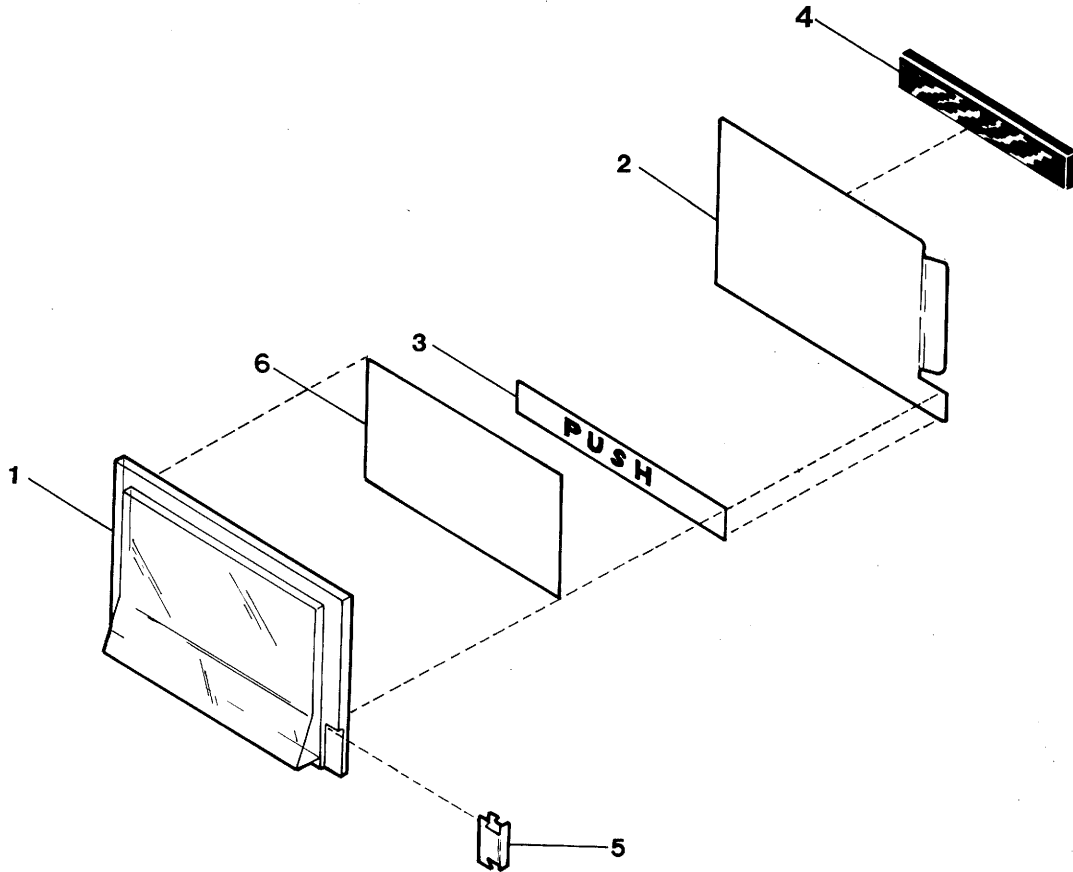
P/N 7600071-000



ITEM	PART NUMBER	NO. REQ'D.	DESCRIPTION
	7600071-000	1	Light Assembly
1	7250183-000	1	Sign Light Mounting Bracket
2	4033671	2	Snap Bushing
3	7187190-000	1	Starter Socket
4	4050112	2	#6-32 x 1/4 Phil Pan Hd. M.S.
5	4033661	1	Starter-FS 25
6	7334938-000	1	Ballast-25 Watt
7	4050581	2	#6 Ext Shakeproof Lockwasher
8	7310057-000	2	#6x 1/4 Phil Truss Hd Blunt Pt. S.M.S.
9	7189063-001	1	Lamp Holder with 24" Leads Furnished with (2) #4-40 x 3/8 Phil Rd Hd M.S.
10	7334939-000	1	Lamp, Fluorescent-25 Watt
11	7332048-000	1	Light Lead Assembly
12	4033505	5	Splice Cap BU 2002
13	7189063-002	1	Lamp Holder w/9" Leads Furnished with (2) #4-40 x 3/8 Phil Hd M.S.

SELECTOR BUTTON ASSEMBLY

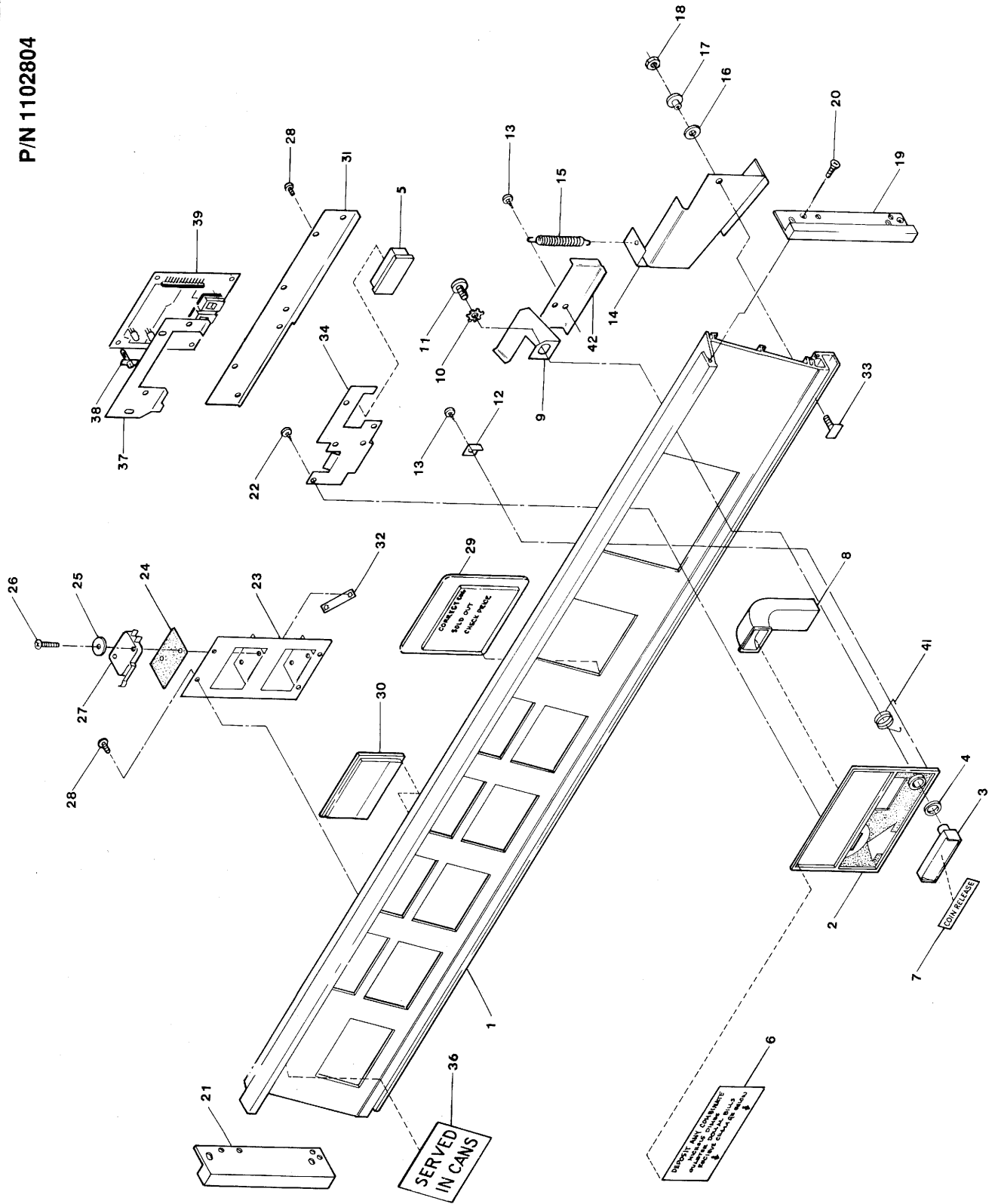
P/N 1102177



ITEM	PART NUMBER	NO. REQ'D.	DESCRIPTION	ITEM	PART NUMBER	NO. REQ'D.	DESCRIPTION
	1102177	9	Selector Button Ass'y. (Blank)		4020723-025	1	Tab Tab
1	4025638	1	Button-Selector		4020723-026	1	Seven-Up Tab
2	4009772	1	Retainer-Flavor Tab		4020723-027	1	Caffeine Free Coke Tab
3	4020668	1	Decal-Push		4020723-028	1	Diet Pepsi Free Tab
4	4060005	1	1/8 x 3/8 Black Door Tite		4020723-030	1	Diet Coke Tab 1
5	7335107-000	2	Clip-Tinnerman		4020723-031	1	Diet Pepsi Tab
6	1102482	1	Selection Tabs - Complete		4020723-032	1	Diet Seven-Up Tab
	4020723-010	1	Pepsi Tab		4020723-033	1	RC100 Tab
	4020723-011	1	Coca Cola Tab		4020723-035	1	Diet Rite Tab
	4020723-012	1	R. C. Tab		4020723-048	1	Pepsi Free Tab
	4020723-013	1	Dr. Pepper Tab		4020723-053	1	V-8 Juice Tab
	4020723-014	1	Mountain Dew Tab		4020723-054	1	Welch's Grape Tab
	4020723-018	1	Mr. Pibb Tab		4020723-057	1	Sugar Free Dr. Pepper Tab
	4020723-020	1	Pepsi Light Tab		4020723-060	1	Caffeine Free Diet Coke Tab
	4020723-024	1	Sprite Tab		4020723-099	1	Slice Tab

DASHBOARD FINAL ASSEMBLY

P/N 1102804

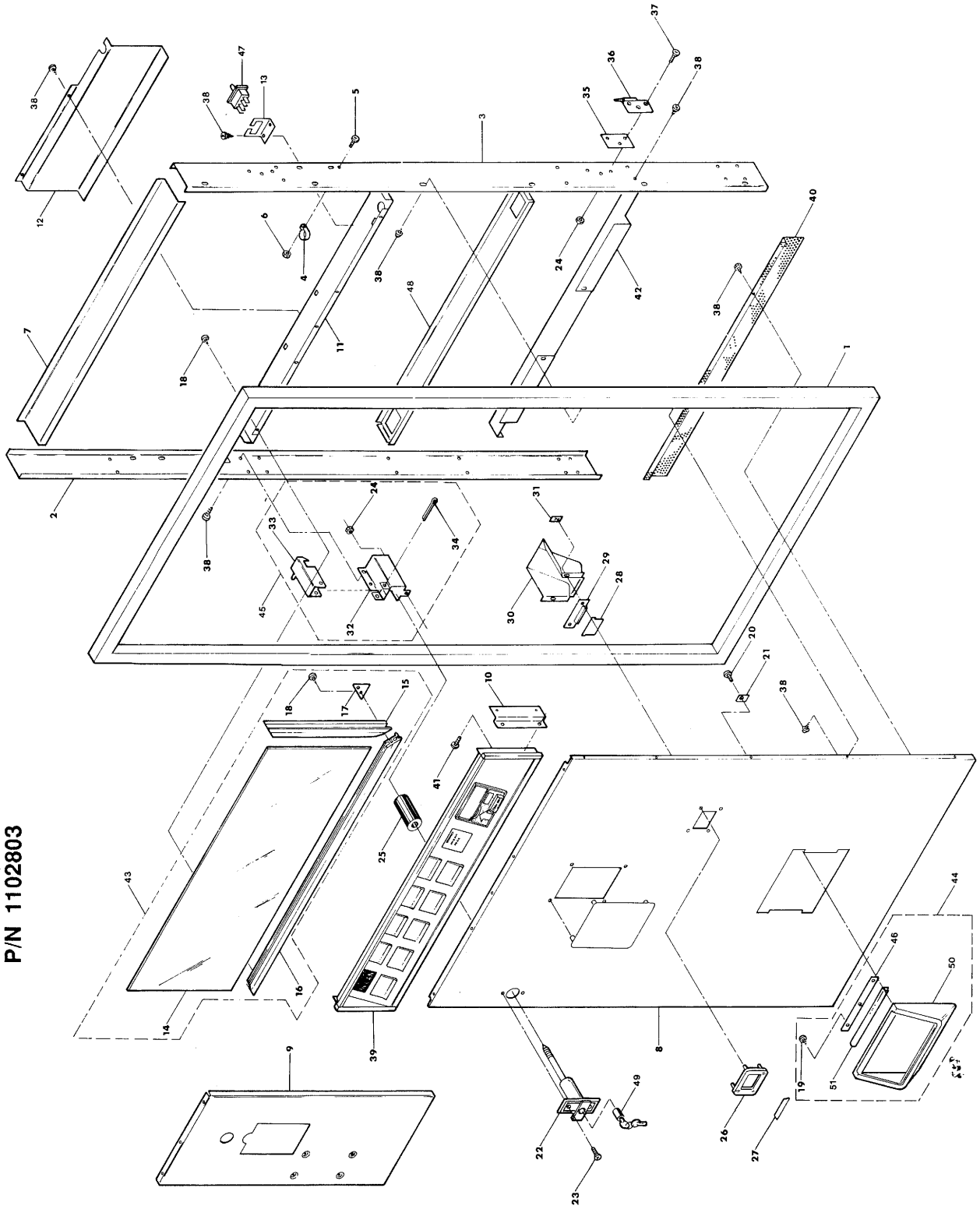


DASHBOARD FINAL ASSEMBLY

ITEM	PART NUMBER	NO. REQ'D	DESCRIPTION	ITEM	PART NUMBER	NO. REQ'D	DESCRIPTION
1	1102804	1	Dashboard Final Assembly	23	4009773	5	Retainer, Flavor Bottom
2	4022399	1	Dashboard	24	7200144-000	9	Insulator, Coin Blocking Switch
3	4060372	1	Coin Insert Casting	25	7200798-000	9	Washer-Fiber .125
4	7334283-000	1	Coin Release Handle	26	4050004	18	#4 x 3/4 Phil Pan Hd S.M.S.
5	7100816-000	1	Coin Release Washer	27	7202075-000	9	Switch (Selection) Micro
6	4025725	1	Filler Plug	28	4050212	20	#8-32 x 1/4 Phil Pan Hd Type "23" S.T.S.
7	4020837	1	Label - Coin Insert	29	4025267	1	Window Readout
8	7334370-001	1	Decal - Coin Release	30	1102177	9	Selector Button Assembly (Blank)
9	7201748-000	1	Coin Intake Chute	31	4003366	1	L.E.D. Mounting Bracket - Top
10	7250302-000	1	Coin Reject Lever	32	4050586	9	Speed Nut - Twin Type
11	7200717-008	1	Lockwasher, Shakeproof Int/Ext. Tooth	33	4050712	1	#8-32 x 1/2 Tee Bolt
12	7200469-020	4	1/4-28 x 1/2 Phil Truss H.O.	34	4008715	1	Retainer Coin Chute & Change Light
13	4009751	4	Coin Insert Retaining Bracket	35	1102805	1	Compl. Coin Insert Casting Ass'y (Not Shown)
14	4050212	1	#8-32 x 1/4 Phil Pan Hd Type 23 S.T.S.	36	7334385-000	1	Decal - Served in Cans
15	7600047-000	1	Reflector Lever Follower Assembly	37	4003367	1	L.E.D. Mounting Bracket - Bottom
16	4021015	1	Coin Reject Slide Spring	38	4025738	4	Stand-Off
17	4050613-000	1	Flat Washer #10 x .048 Thick	39	8620690	1	Display Board (Mars)
18	4030053	1	Shoulder Bushing	40	4034336	1	Harness - Display Board
19	4050494	1	#8-32 F/M UniTorque Nut	41	7091076-100	1	Torsion Spring
20	7250086-003	4	Dashboard End, Right	42	4003352	1	Clamp - Harness
21	4050095	1	#6-32 x 5/8 Phil Flat Hd S.M.S.				
22	7250086-004	4	Dashboard End, Left				
	7200470-008	4	#6-32 x 3/16 Phil Rd Hd S.E.M.S. Type 1				

OUTER DOOR FINAL ASSEMBLY

P/N 1102803

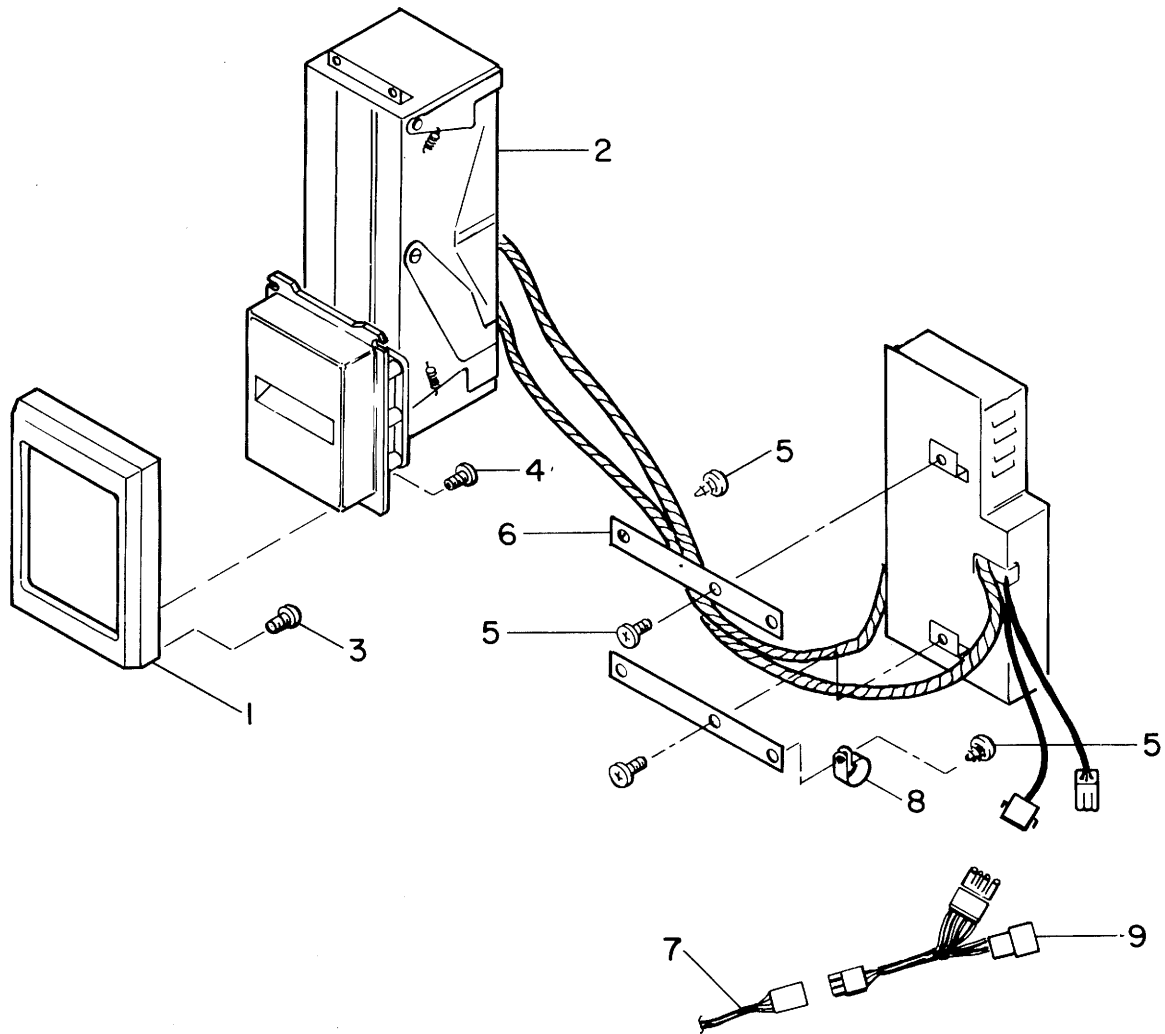


OUTER DOOR FINAL ASSEMBLY

ITEM	PART NUMBER	NO. REQ'D.	DESCRIPTION	ITEM	PART NUMBER	NO. REQ'D.	DESCRIPTION
1	1102803	1	Outer Door Final Assembly	27	7334984-000	1	Decal - Change
2	1101116-006	1	Door Frame Weld Assembly	28	7200102-000	1	Door - Coin Return
3	7250289-000	1	Left Side Door Frame Extension	29	7201422-000	1	Tab Anti-Payout Switch
4	7250290-000	1	Right Side Door Frame Extension	30	7201649-000	1	Cup Coin Return
5	4060134	1	Plastic Wire Clamp - 1"	31	7334982-000	4	#8 Sheet Metal Nut
6	4050240	1	#8-32 x 3/8 Phil Pan Hd M.S.	32	7600100-000	1	Lock Housing Weld Assembly
7	4050513	1	#8-32 Twin Whiz Lock Nut	33	7600103-000	1	Door Latch Weld Assembly
8	7250303-000	1	Top Door Frame Extension	34	7250187-000	1	1/8 x 2-1/4 Cotter Pin
9	4003350	1	Door Panel	35	7250059-000	2	Inner Door Hinge Spacer
10	7250122-000	1	Panel Stiffener	36	7250101-001	2	Butt Hinge - Male
11	7250293-000	2	Dashboard Mounting Bracket	37	4050338	6	#10-32 x 1/2 Flat Hd Phil Cap Screw
12	7250297-000	1	Upper Door Brace	38	4050202	6	#8-18 x 1/2 Phil Hex Washer Hd Tek Screw
13	4003364	1	Cover - Bottom	39	1102804	1	Dashboard Final Assembly
14	4009394	2	Bracket - Power Switch	40	4003870	1	Screen - Air Vent
15	4025653	1	Picture Display Window	41	4050180	4	#8-18 x 1/2 Phil Pan Hd Tek Screw
16	4022388-001	2	Display Header Trim - Sides	42	4003811	1	Lower Center Door Brace
17	4022388-003	2	Display Header Trim - Top & Bottom	43	1102278	1	Display Header Assembly (Not Shown)
18	4009794	4	Display Corner Bracket	44	7335006-000	1	Trim Can Chute Assembly
19	4050423	14	#8-3/8 Phil Pan Hd Type "AB" S.M.S.	45	7600102-000	1	Lock Housing & Door Latch Assembly
20	7330289-000	3	#6-32 x 1/4 Phil Pan Hd Taprite	46	7332462-000	1	Retainer-Support Can Chute Bumper
21	4050212	5	#8-32 x 1/4 Phil Pan Hd Type "23" Self-Tap	47	4034309	1	Power Switch
22	7332465-000	3	Angle-Attaching	48	7250296-000	1	Center Door Brace
23	4060417	1	T-Handle	49	4060330-xxx	1	Lock Cylinder w/2 Keys
24	4050338	2	#10-32 x 1/2 Phil Flat Hd Cap Screw	50	7332285-002	1	Time - Can Chute
25	4050546	2	#10-32 Twin Whiz Lock Nut	51	7334456-000	1	Bumper - Can
26	4060043	1	Rubber Refrigeration Tube				
	7334281-000	1	Change Bezel				

MAKA VALIDATOR INSTALLATION

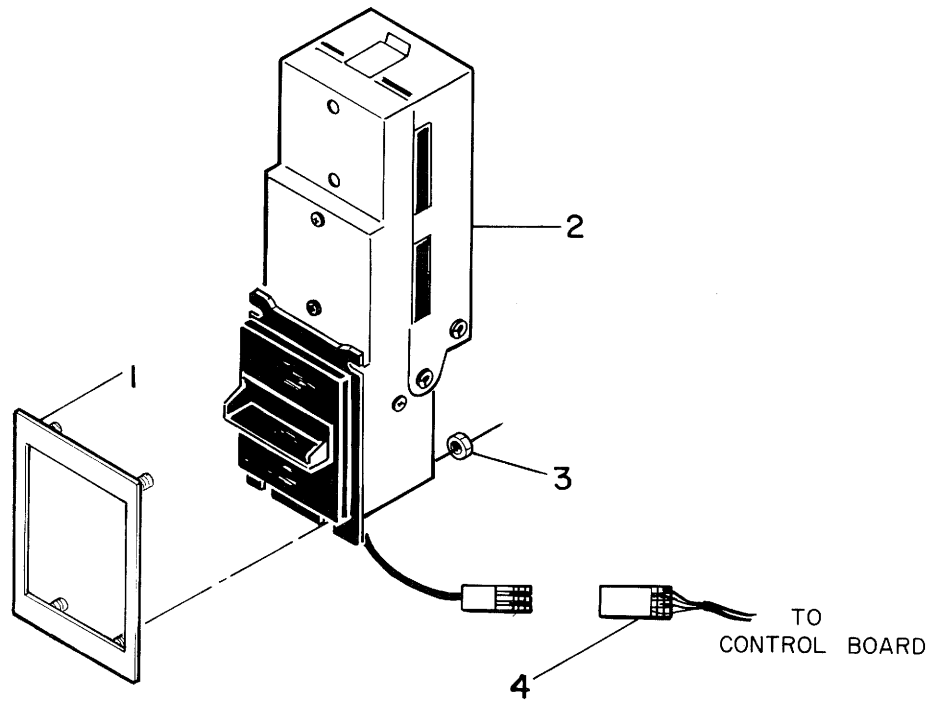
P/N 1200174



ITEM	PART NUMBER	NO. REQ'D.	DESCRIPTION
	1200174	1	Maka Validator Installation
1	4060664	1	Bezel
2	4034358	1	Maka Validator
3	4050212	4	#8-32 x 1/4" Tapping Screw
4	4050242	4	#8-32 x 5/8" Phil Pan Hd Taptite
5	4050239	6	#8-32 x 3/8 Phil Self-Thrd Screw
6	4003104	2	Mounting Bracket
7	4034339	1	Harness - Validator
8	4060134	1	Wire Clamp, Plastic - 1"
9	4034383	1	Harness - Adapter

MARS VALIDATOR INSTALLATION

P/N 1200173



ITEM	PART NUMBER	NO. REQ'D.	DESCRIPTION
	1200173	1	Mars Validator Installation
1	8620727	1	Validator Plate Assembly
2	8620725	1	Mars Validator
3	4050513	4	#8-32 Twin Whiz Lock Nut
4	4034339	1	Harness - Validator

NOTES

NOTES



