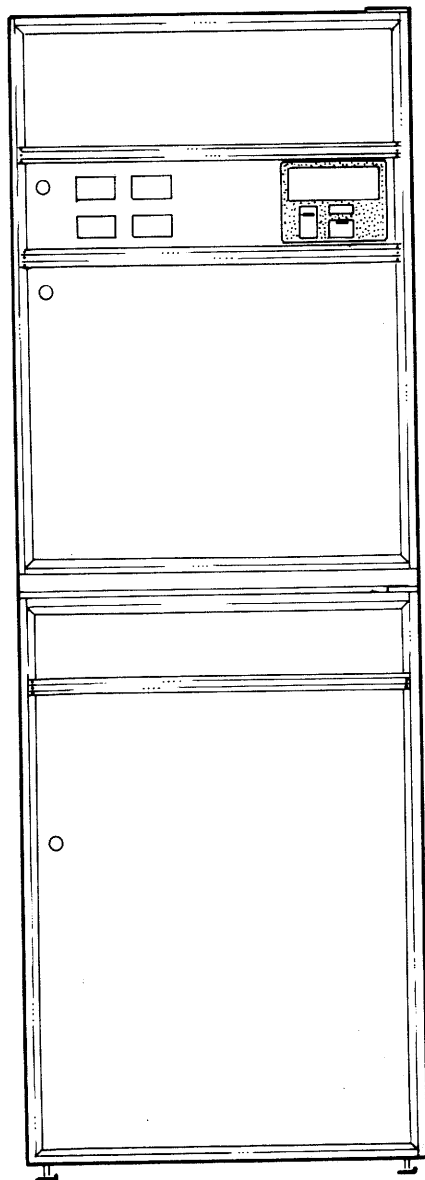


CAN DRINK CENTER



Parts Manual

Model: 3000

Part Number 4200286

Table of Contents

Parts Ordering Procedure.....	1
Door Styling.....	2,3
Unit Final Assembly.....	4,5
Complete Cabinet Assembly.....	6,7
Complete Can Rack Assembly.....	8,9
Complete Ejector Mechanism Assembly.....	10,11
Complete Refrigeration Assembly.....	12,13
Complete Inner Door Assembly.....	14,15
Complete Upper Door Assembly.....	16,17
Complete Coin Insert Casting Assembly.....	18
Complete Relay Box Assembly.....	19
Selector Button Assembly.....	20
Common Lower Door Assembly.....	21

PARTS ORDERING PROCEDURE

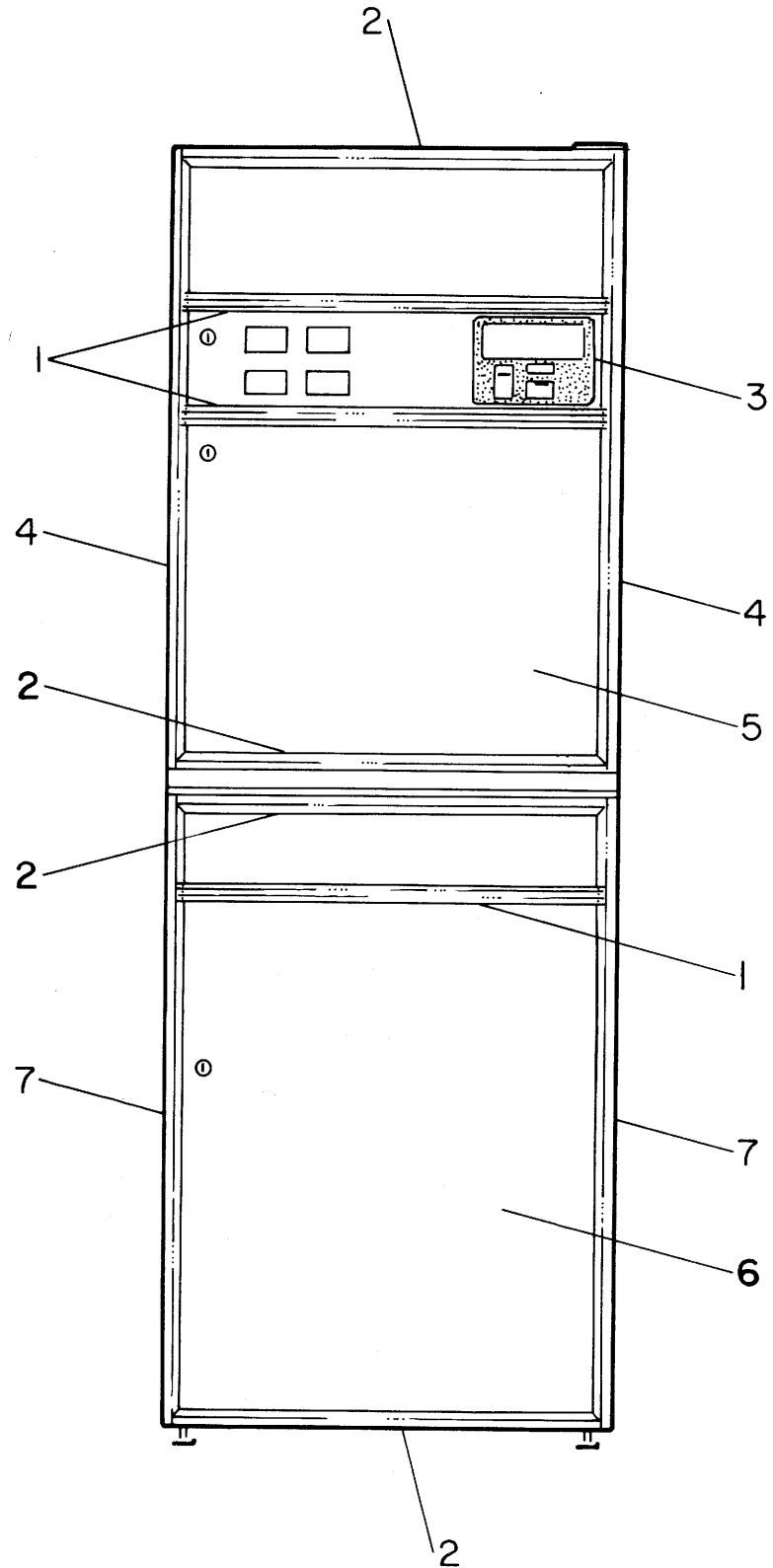
When ordering parts, include the following information:

1. Shipping address.
2. Address where invoice should be sent.
3. The number of parts required.
4. Always refer to the pertinent parts and/or service manual for the correct part number and description of the specific part.
 - (A.) If you do not have the right parts manual at the time you order contact **SELECTIVEND**, P. O. Box 488, 165 No. 10th Street, Waukee, IA 50263. They will provide a copy for you. Don't hold the order pending receipt of the parts manual; use the most accurate description possible (and the model number and serial number of the machine); include the name of the assembly in which the part is used and, if practical, a sample part. Furnish any information which will enable our Order Department to pinpoint the exact part needed.
 - (B.) When "**RIGHT**" and "**LEFT**" are used in connection with the name of a part, it is taken to mean that the person is facing the machine.
5. Always include model number and serial number of the machines for which the parts are needed.
6. List any special shipping instructions.
 - (A.) Always note if you require air or air special, truck, parcel post, or rail. If a specific carrier is requested, include this on the order.
7. Sign the order and note the date entered on the order.
8. When a purchase order number is used, be sure that it is legible and visible. Mail your order to:

SELECTIVEND
P. O. Box 488
165 North 10th Street
Waukee, Iowa 50263

All orders are carefully packed and inspected prior to shipping. Damage incurred during shipment should be reported immediately and a claim should be filed with the terminating carrier.

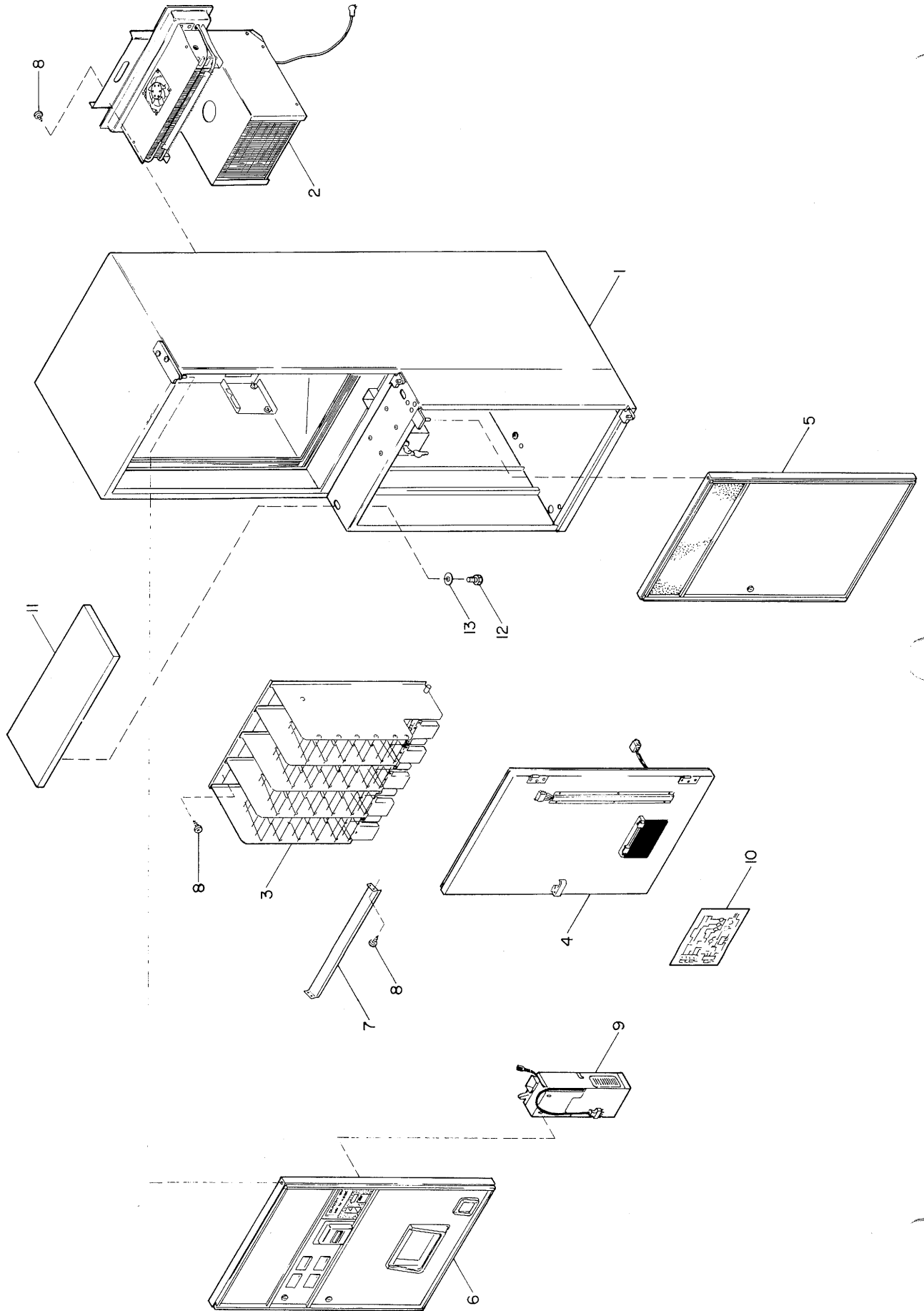
DOOR STYLING



DOOR STYLING

ITEM	PART NUMBER	NO. REQ'D	DESCRIPTION
1	8380743-021	3	Trim - Horizontal
2	8380744-054	4	Trim - Horizontal
3	8379595-8	1	Casting - Coin Insert (Brown)
	8379595-7	1	Casting - Coin Insert (Chrome)
4	8380744-056	2	Trim - Side (Top Door)
5	1200068-000	1	Top Door Vinyl Assembly
6	1200069-000	1	Bottom Door Vinyl Assembly
7	8380744-055	2	Trim Side (Bottom Door)
8	8379531-2	1	Handle - Coin Return (Brown)
	8379531-1	1	Handle - Coin Return (Chrome)

UNIT FINAL ASSEMBLY

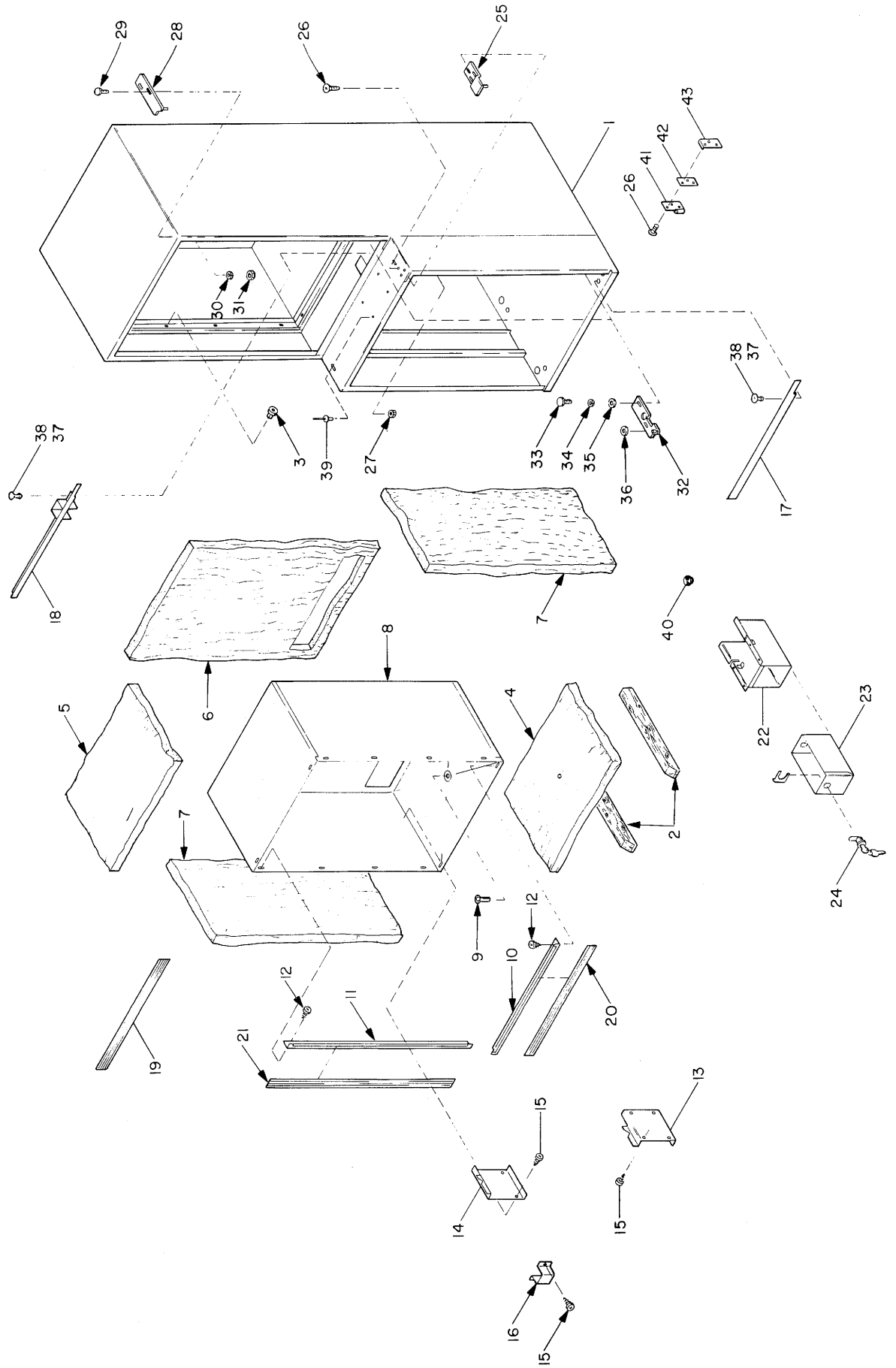


UNIT FIN ASSEMBLY

ITEM	PART NUMBER	NO. REQ'D	DESCRIPTION
1	1102837	1	Unit Final Assembly
2	1102834	1	Complete Cabinet Assy (See Pages 6&7)
3	1102752	1	Complete Refrigeration Chassis Assy (See Pages 12&13)
4	1102744	1	Complete Can Rack Assy (See Pages 8&9)
5	1102844	1	Complete Inner Door Assy (See Pages 14&15)
6	1102851	1	Complete Lower Door Assy (See Page 21)
7	4003473	1	Complete Upper Door Assy (See Pages 16&17)
8	4050202	A/R	Extension Plate
9	4060358	1	#8 - 18 Phil Hex Washer Hd. Tek. Coin Mech. Coinco S75-9800B-907 (Optional)
	4060466	1	Coin Mech. Mars 5807 (Optional)
	4034375	1	Coin Mech. Coinco S300 E9210 (Optional)
10	4020863	1	Wiring Diagram
11	1102888	1	Counter Top Assy (Long)
12	1102542	A/R	Counter Top Assy. (Single Unit Only)
	4050776	A/R	1/4 - 20 x 1 Hex Hd Screw (2 Per Unit)
13	4050594	A/R	5/16 Flat Washer (2 Per Unit)

A/R = As Required

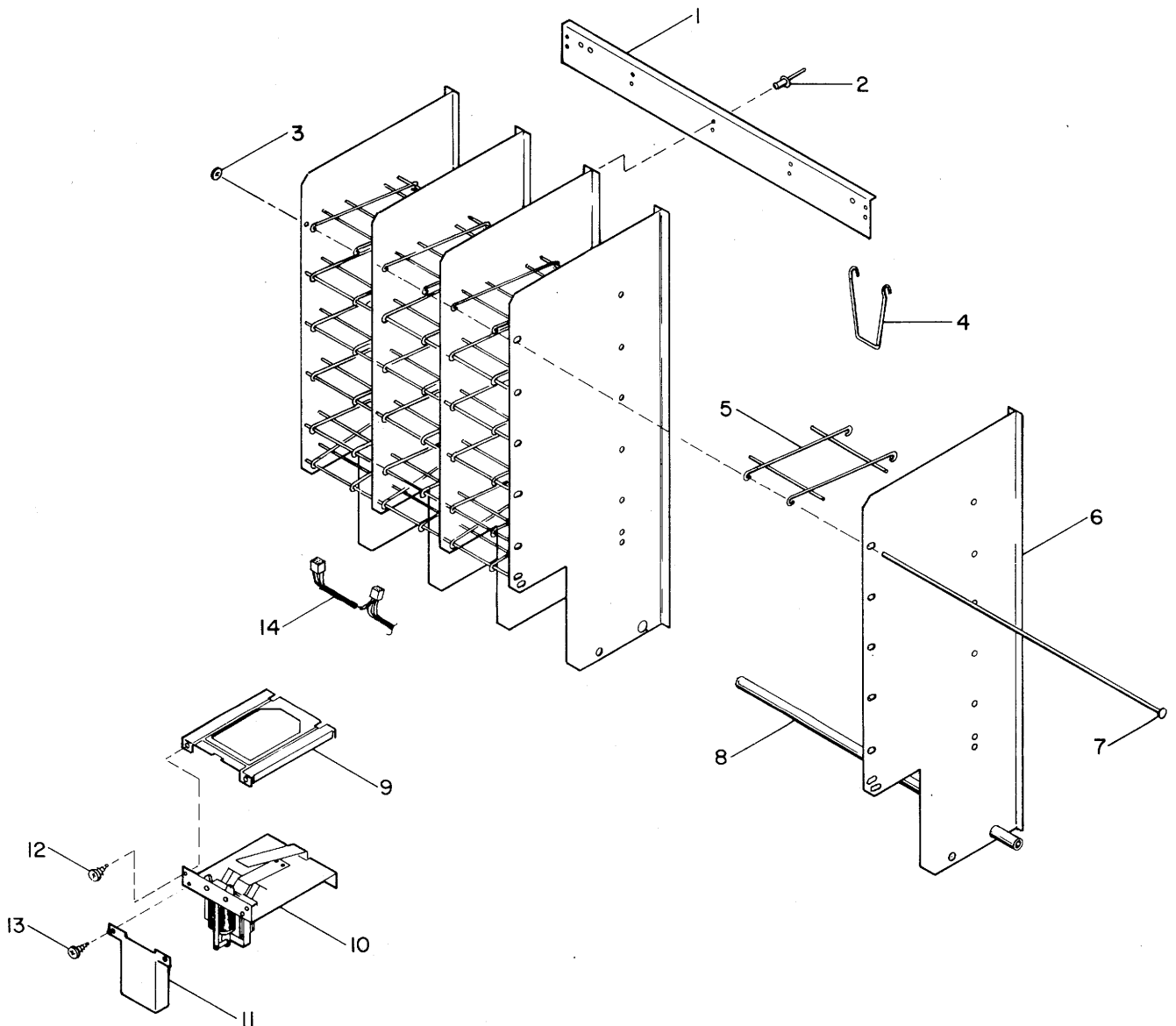
COMPLETE CABINET ASSEMBLY



ITEM NO.	PART NUMBER	NO. REQ'D	DESCRIPTION
1	1102837	1	Complete Cabinet Assembly
2	1102838	1	Cabinet Weld Assembly
3	4003540-002	2	Liner Support - Wood
4	7090004-300	12	Plastic Grommet
5	8620339-000	1	Insulation - Bottom
6	8620339-001	1	Insulation - Top
7	8620339-002	1	Insulation - Back
8	8620339-003	2	Insulation - Side
9	1102681	1	Liner Weld Assembly
10	4060675-001	1	Drain Tube
11	4003890	2	Liner Trim - Top & Bottom
12	4003896	2	Liner Trim - Sides
13	7200468-001	12	#10 x 1 Phil Truss Hd. S.M.S.
14	4003531-000	1	Rack Support - Right
15	4003531-001	1	Rack Support - Left
16	4050202	A/R	#8-18 x 1/2 Phil Hex Washer Hd Tek
17	4003630	2	Rack Mounting Bracket
18	4003198	1	Door Stop - Lower Door
19	1102827	1	Door Stop Weld Assembly
20	7201475-020	1	Breaker Strip - Top
21	7201475-021	1	Breaker Strip - Bottom
22	7201475-022	2	Breaker Strip - Sides
23	1102916	1	Coin Box Housing Weld Assy.
24	1102292	1	Coin Box Weld Assembly
25	4060366-XXX	1	Lock
26	1102848	1	Upper Hinge - Lower Door
27	4050338	3	#10-32x1/2 Flat Hd Phil Cap Screw
28	4050546	3	#10-32 Whiz Lock Nut
29	1102850	1	Upper Hinge - Top Door
30	4050393	2	1/4-20x3/4 Carriage Bolt
31	7186148-000	2	Lockwasher
32	4050547	2	1/4-20 Whiz Lock Nut
33	1102845	2	Lower Hinge - Upper & Lower Doors
34	4050070	4	1/4-20x5/8 Hex Hd Cap Screw
35	4050593	4	1/4 Shakeproof Lockwasher
36	4050594	4	Wrought Washer
37	4025757	2	Nylon Washer
38	4050779	A/R	Grommet - Nylatch
39	4050780	A/R	Plunger - Nylatch
40	4050685	A/R	Pop Rivet - 3/16 x 1/8
41	7250135-002	2	Floor Plug - 1"
42	8620139	2	Door Hinge - Inner (Left)
43	7250059-000	A/R	Spacer - Inner Door Hinge
	4003241	2	Nut Plate

A/R = As Required

COMPLETE CAN RACK ASSEMBLY

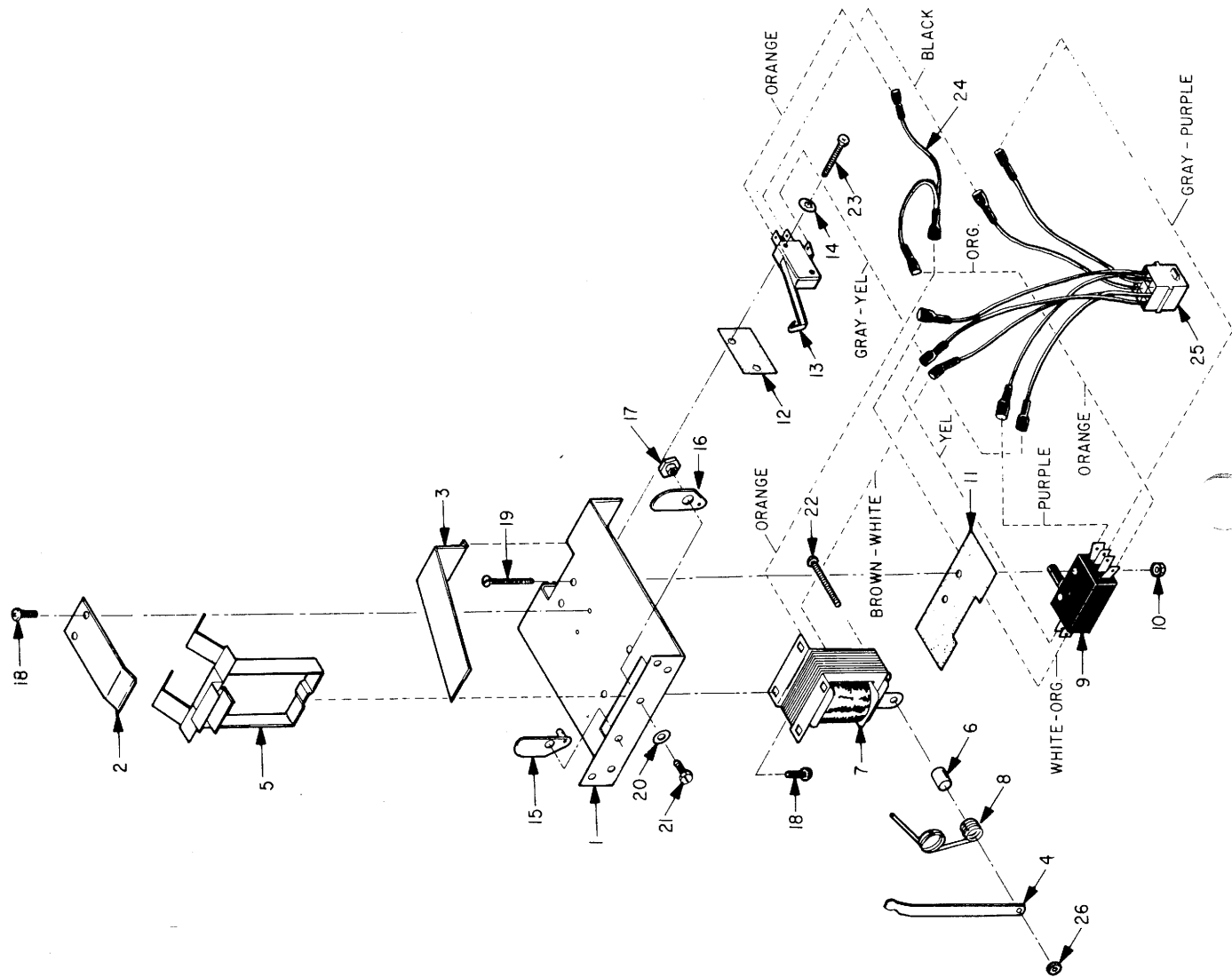


COMPLETE CAN RACK ASSEMBLY

ITEM	PART NUMBER	NO. REQ'D	DESCRIPTION
	1102752	1	Complete Can Rack Assembly
1	4003276	2	Tie Strip - Top & Bottom
2	4050667	25	1/8" Pop Rivet
3	7332476-000	14	Push - On Nut .156 Dia.
4	4003846	16	Damper - Mini Can Rack
5	4003841	24	Can Rack
6	4003524	5	Partition Panel
7	7332474-002	14	Tie Rod - .156 Dia.
8	7250181-002	1	Rack Support Tube
9	7331998-000	4	Shelf -Sold Out
10	8210094	4	Complete Ejector Mech. Assy. (See Pages 10&11)
11	7331812-000	4	Shield -Solenoid
12	4050202	12	#8-18x1/2 Phil Hex Washer Hd Tek
13	7250087-000	8	#12-24x1/2 Phil Pan Hd Thread Cutter
14	4034377	1	Cabinet Harness

A/R = As Required

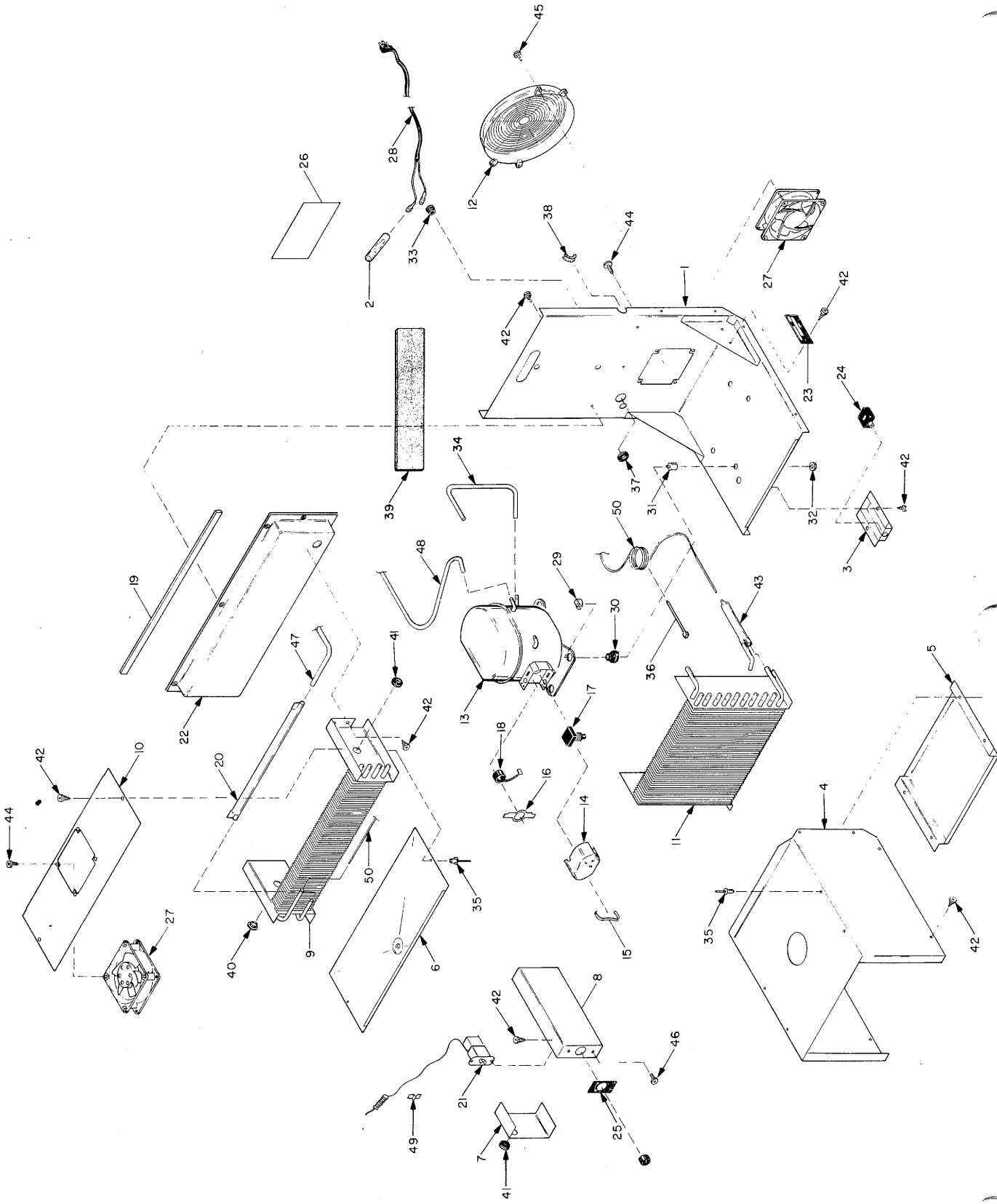
COMPLETE EJECTOR MECHANISM ASSEMBLY



COMPLETE EJECTOR MECHANISM ASSEMBLY

ITEM	PART NUMBER	NO. REQ'D.	DESCRIPTION
1	8210094	1	Complete Ejector Mechanism Assy
2	7500359-000	1	Activator, Plate Assembly
3	7201127-000	1	Flat Spring
4	7332210-000	1	Sold Out Switch Leaf
5	7201388-000	1	Lock Out Bar
6	1102766	1	Ejector Assembly
7	7201285-000	1	Spacer
8	7091050-300	1	Solenoid
9	7201421-000	1	Spring Solenoid
10	7200158-000	1	Sold Out Switch
11	4050505	2	#6-32 Twin Whiz Nut
12	7200155-000	1	Insulator
13	7200144-000	1	Insulator
14	4034307	1	Switch Stroke
15	7200798-000	1	Washer Fiber 1/8 I.D.
16	7500346-003	1	Cam Escapement, Left
17	7500346-004	1	Cam Escapement, Right
18	7201129-000	2	#10-32 Shoulder Nut
19	7200470-002	6	#8-32x1/4 PhilRd Hd S.E.M.S.
20	7200469-004	2	#6-32x1 Phil Truss Hd M.S.
21	7200729-004	2	#10 Flat Washer
22	7201200-000	2	#10-32x3/8 Hex Hd Locking Screw
23	8620633	1	#8-32x1 1/2 Hex Hd Screw
24	7200470-004	2	#4-40x5/8 Phil Pan Hd Self Tap
25	7200496-003	1	Solenoid - Jumper Wire
26	8620131	1	Trip Mechanism Harness
27	4050494	1	#8-32 Unitorque Lock Nut
28	7500358-000	1	Ejector Mechanism Assembly (not shown)

COMPLETE REFRIGERATION ASSEMBLY

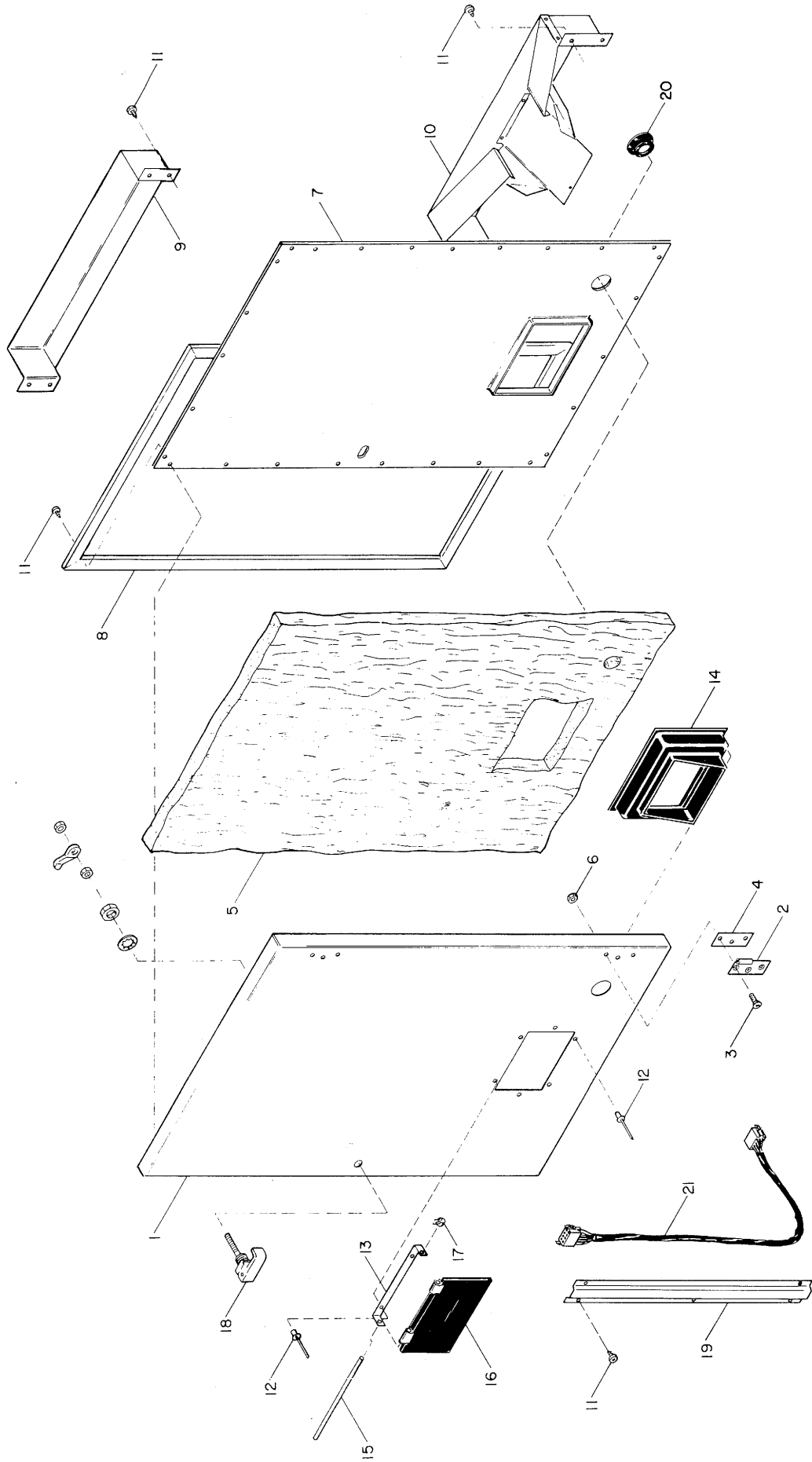


COMPLETE REFRIGERATION ASSEMBLY

ITEM	PART NUMBER	NO. REQ'D	DESCRIPTION	ITEM	PART NUMBER	NO. REQ'D	DESCRIPTION
1	1102834	1	Complete Refrigeration Assy	26	7332492-000	1	Label - Caution
2	1102836	1	Mounting Plate Assy.	27	4034344	2	Fan - Muffen Type
3	4033527	2	Cig. Clip	28	4033631	1	Power Cord
4	4003272	1	Circuit Breaker Holder	29	8343874	4	Clip - Compressor Mounting
5	4003271	1	Cover - Compressor	30	8323090-1	4	Grommet - Compressor
6	4003270	1	Condensation Tray	31	8343872	4	Stud - Mounting
7	4003281	1	Condensation Pan	32	8800949	4	3/8-16 Hex Nut w/Ext Lockwasher
8	4003278	1	Thermostat Cover	33	4033683	1	Bushing - Strain Relief
9	4003280	1	Thermostat Mount	34	4060716	1	Discharge Line
10	4060478	1	Evaporator Coil	35	4050663	1	Pop Rivet
11	4003268	1	Cover -Evaporator Coil	36	4033717	2	Tie Wrap
12	4060477	1	Condenser Coil 1/5 H.P.	37	4033672	2	Grommet - Rubber
13	4025754	1	Fan Guard	38	4033652	1	Grommet - Plastic
14	4060476	1	Compressor 1/5 H.P.	39	4060693	1	Insulation -Cork Presstite
15	7187638-000	1	Cover	40	7250135-003	1	Plug - 3/4"
16	7187636-000	1	Bale Strap	41	4060484	2	Grommet - Rubber
17	7187637-000	1	Spring, Overload	42	4050502	A/R	#8-18x1/2 Phil Hex Washer Tek
18	4060686	1	Relay	43	7332433-000	1	Drier
19	4060685	1	Overload	44	4050239	8	#8-32x3/8 Phil Pan Hd Type
20	4060455	10	Gasket (Feet)	45	4050341	4	#10-16x3/4 Hex Washer Hd
21	4060480	1	Accumulator	46	4050234	2	#8-32 Phil Truss Hd M.S.
22	4034324	1	Thermostat	47	4060714	1	Line, Suction - Accumulator
23	1200067-000	1	Evaporator Mount Assy	48	4060715	1	Line, Suction -Compressor
24	4033620	1	Serial Plate	49	4060491	1	Plastic Press Clip
25	7333084-000	1	Circuit Breaker - 5 amp Label - Thermostat	50	8902701-3 4034378	1	Tube Capillary Harness, Refrigeration

A/R = As Required

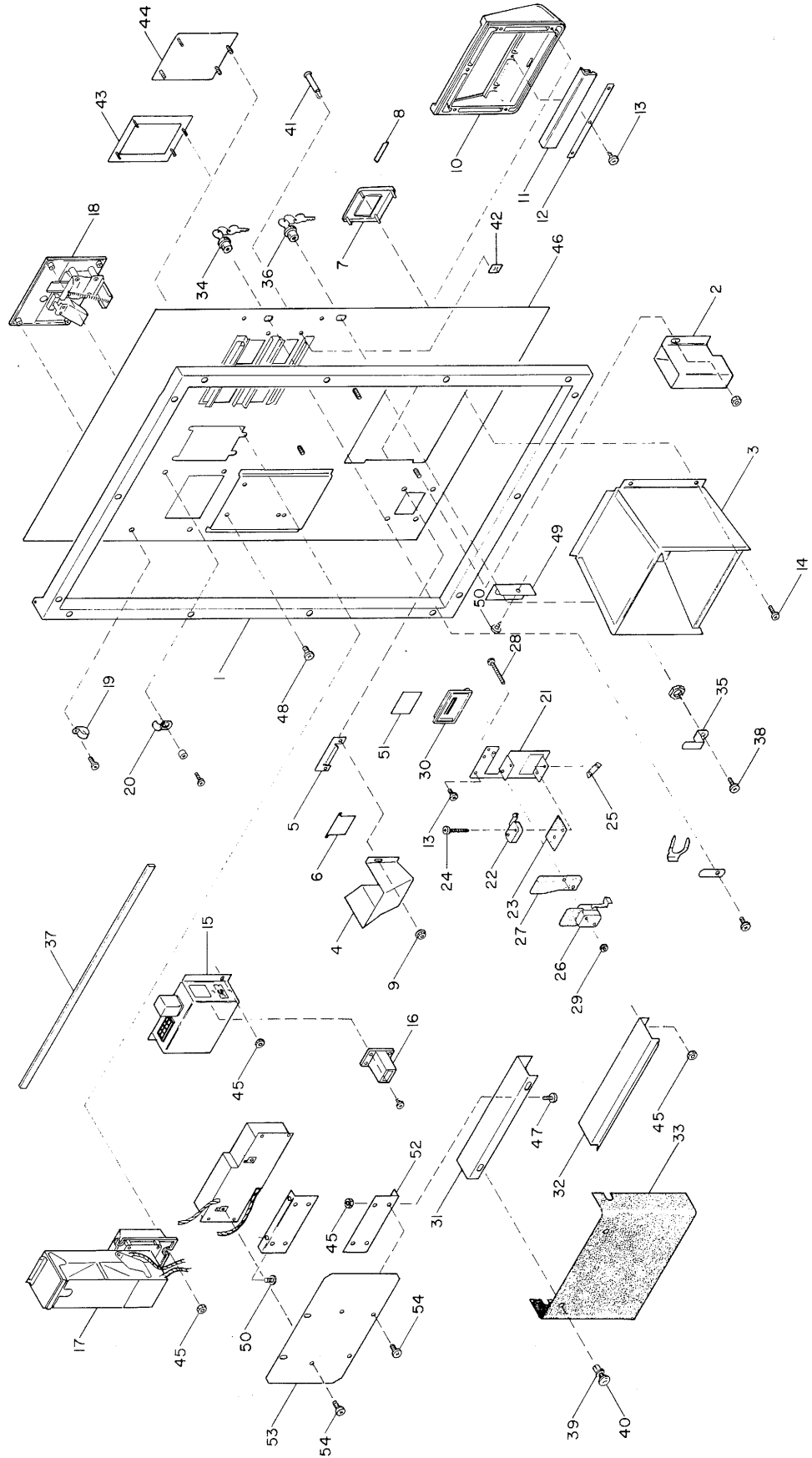
COMPLETE INNER DOOR ASSEMBLY



COMPLETE INNER DOOR ASSEMBLY

ITEM	PART NUMBER	NO. REQ'D	DESCRIPTION
1	1102744	1	Complete Inner Door Assembly
2	1102679	1	Inner Door Weld Assembly
3	8620140	2	Door Hinge - Inner (Right)
4	4050338	6	#10-32x1/2 Phil Flat Hd Cap Screw
5	7250059-000	2	Spacer - Inner Door Hinge
6	4060681	1	Insulation - Inner Door
7	4050495	6	#10-32 F/M Unitorque Lock Nut
8	4025700-001	1	Liner - Inner Door
9	4060456	1	Gasket - Inner Door
10	4003475	2	Shelf - Storage
11	1102548	1	Can Chute Rivet Assembly
12	4050202	26	#8-18x1/2 Phil Hex Washer Hd Tek
13	4050667	15	Pop Rivet
14	7250141-000	1	Hinge Bracket - Vend Door
15	4025647	1	Delivery Chute
16	7200650-004	1	Hinge Pin
17	7334428-000	1	Door - Vend Port
18	7091078-000	2	Tubular Speed Nut Tinnerman
19	4060089	1	Latch - Inner Door
20	4003177	1	Harness Cover - Inner Door
21	4025682-000	1	Grommet Plug Button w/Hole
	4034381	1	Harness - Inner Door

COMPLETE UPPER DOOR ASSEMBLY

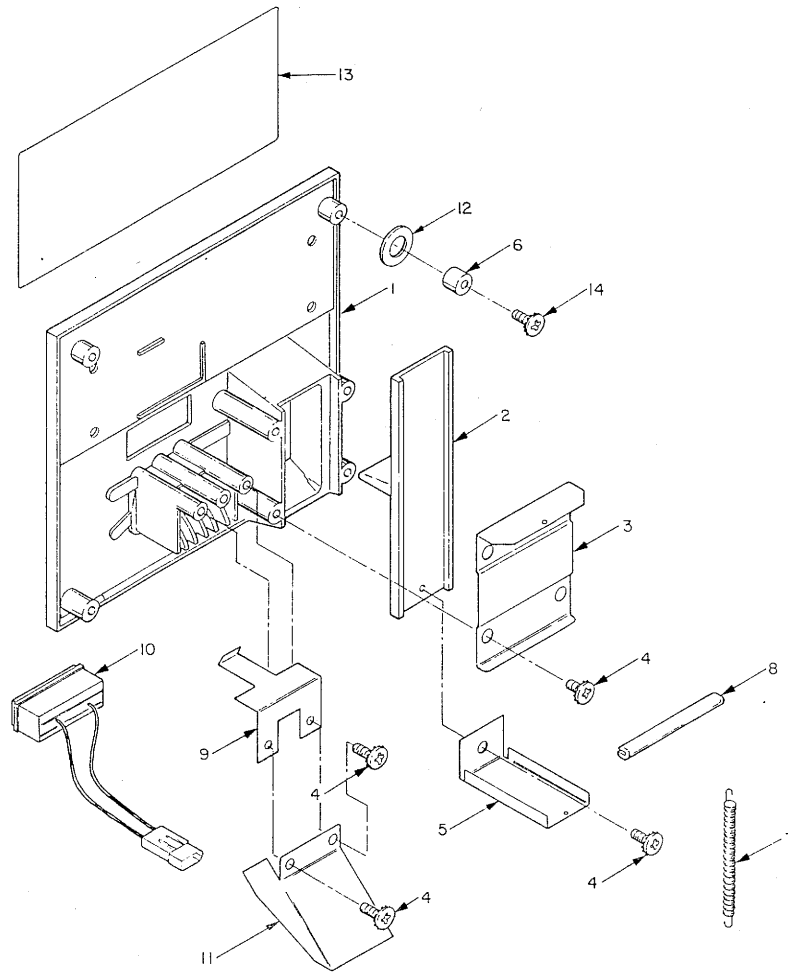


COMPLETE UPPER DOOR ASSEMBLY

ITEM	PART NUMBER	NO. REQ'D	DESCRIPTION	ITEM	PART NUMBER	NO. REQ'D	DESCRIPTION
1	1102851	1	Complete Upper Door Assy	36	4060671	1	Lock - Door (BHO Series)
2	1102831	1	Door Frame Weld Assembly	37	4060455	10	Gasket - Outer Door (Feet)
3	1102828	1	Coin Chute Weld Assembly	38	4050791	1	1/4-20x1/4 Phil Truss Hd M.S.
4	1102856	1	Outer Door Chute Weld Assy	39	4050779	2	Grommet - Nylatch
5	7201649-000	1	Coin Return Cup	40	4050780	2	Plunger - Nylatch
6	7201422-000	1	Tab- Anti Payout Switch	41	7250099-001	4	Indicator Light
7	7200102-000	1	Door - Coin Return	42	4050625	4	Push - On Tinnerman
8	7334281-000	1	Change Bezel (Chrome)	43	8210256-000	1	Validator Plate for use with Validator (Mars or Maka)
9	7334281-001	1	Change Bezel (Brown)	44	8210256-001	1	Validator Plate for use without Validator
10	7334984-001	1	Decal - Change (Brown)	45	4050513	A/R	#8-32 Twin Whiz Lock Nut
11	7334984-000	1	Decal - Change (Black)	46	1200068-XXX	1	Door Panel Vinyl Assy (See Pages 2&3)
12	7334982-000	4	Nut - Self Threading	47	4050240	4	#8-32x3/8 Phil Pan Hd M.S.
13	7332285-003	1	Trim - Can Chute (Brown)	48	7200468-003	3	#8-18x3/8 Phil Truss Hd S.M.S.
14	7332285-000	1	Trim - Can Chute (Chrome)	49	4200176	1	Door Lock Plate
15	7334456-000	1	Bumper - Can	50	4050202	1	#8-18x 1/2 Phil Hex Washer Hd S.M.S.
16	7332462-000	1	Retainer - Can Chute Bumper	4034376	4034376	1	Door Harness
17	7330289-000	3	#6-32x1/4 Phil Pan Pd Tapitite	4034438-000	4034438-000	A/R	Validator Harness (Mars Validator with Coinco Coin Mech)
18	4050239	4	#8-32x3/8 Phil Pan Hd Tapitite	4034341	4034341	A/R	Validator Harness (Mars Validator with Mars Coin Mech)
19	1102881	1	Complete Relay Box Assy (See Page 19)	4034438-000	4034438-000	A/R	Validator Harness (Maka Validator with Coinco Coin Mech)
20	1102879	1	Counter Kit (Optional)	4020723-XXX	4020723-XXX	A/R	Flavor Tabs (Specify Types)
21	4034358	1	Validator - Maka (Optional)	4003087	4003087	2	Control Cover Mntg. Brkt (Maka)
22	8620725	1	Validator - Mars (Optional)	4003089	4003089	1	Control Cover (Maka)
23	1200057-001	1	Complete Coin Insert Assy-Brown Page 18)	8800829	8800829	4	#10-24x3/8 Phil Truss HD. w/Ext. Tooth Lock Washer Type "T"
24	1200057-000	1	Complete Coin Insert Assy-Chrome Page 18)				
25	7090002-713	2	Clamp - Cable				
26	4050750-001	1	Clamp - 1/2" Conduit				
27	4003250	2	Selector Switch Mountin Plate				
28	7202075-000	4	Selection Switch - Micro				
29	7200144-000	4	Insulator				
30	4050004	8	#4x3/4 Phil Pan Hd S.M.S.				
31	4050586	4	Speednut - Twin Type				
32	8351521	1	Switch Free Play				
33	4033714	1	Insulator				
34	4050014	2	#4-40x1 1/8 Rd Hd M.S.				
35	4050517	2	#4-40 Hex Nut				
	1102177	4	Selector Button Assy				
	4003172	1	Selector Cover Mntg Brkt-Top				
	4003173	1	Selector Cover Mntg Brkt-Bottom				
	4025758	1	Cover - Selector Button				
	4060366-XXX	1	Lock - Freeplay (BHO Series)				
	4003225	1	Cam				

A/R = As Required

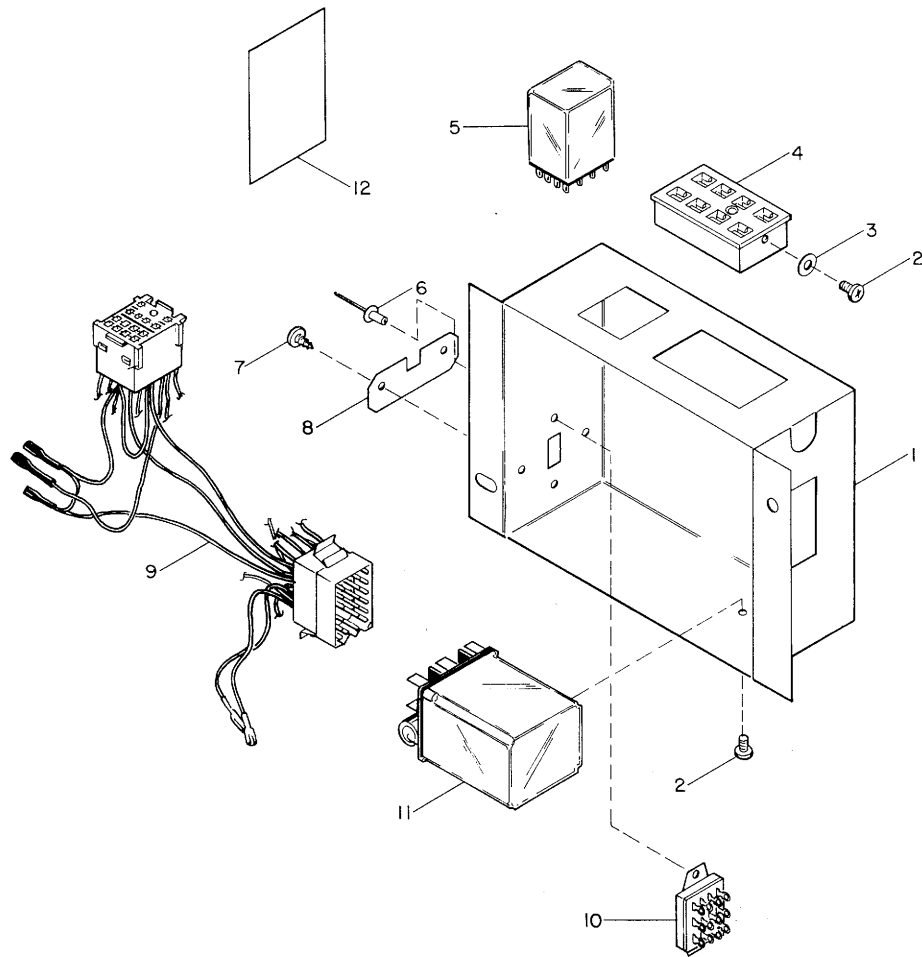
COMPLETE COIN INSERT CASTING ASSEMBLY



ITEM	PART NUMBER	NO. REQ'D	DESCRIPTION
	1200057-001	1	Complete Coin Insert Assy (Brown)
	1200057-000	1	Complete Coin Insert Assy (Chrome)
1	8379595-8	1	Casting - Coin Insert (Brown)
	8379595-7	1	Casting - Coin Insert (Chrome)
2	8279531-2	1	Handle - Coin Return (Brown)
	8279531-1	1	Handle - Coin Return (Chrome)
3	8379568	1	Retainer - Handle
4	8800829	A/R	#10-24x3/8 Phil Truss Hd Tap Screw
5	4003186	1	Angle - Coin Return
6	8337241-1	4	Cup Washer
7	8379539-001	1	Spring Extension
8	8379653	1	Stop Rubber (Optional)
9	8379544	1	Retainer - Lamp
10	8129164	1	Lamp Assembly
11	1102877	1	Coin Entry Chute Weld Assy
12	4050601	4	Washer - 3/8
13	4060672	1	Plate Instruction with Validator
	4060687	1	Plate Instruction without Validator
14	8801312	4	#10-16x1/2 Phil Pan Hd Tap Screw

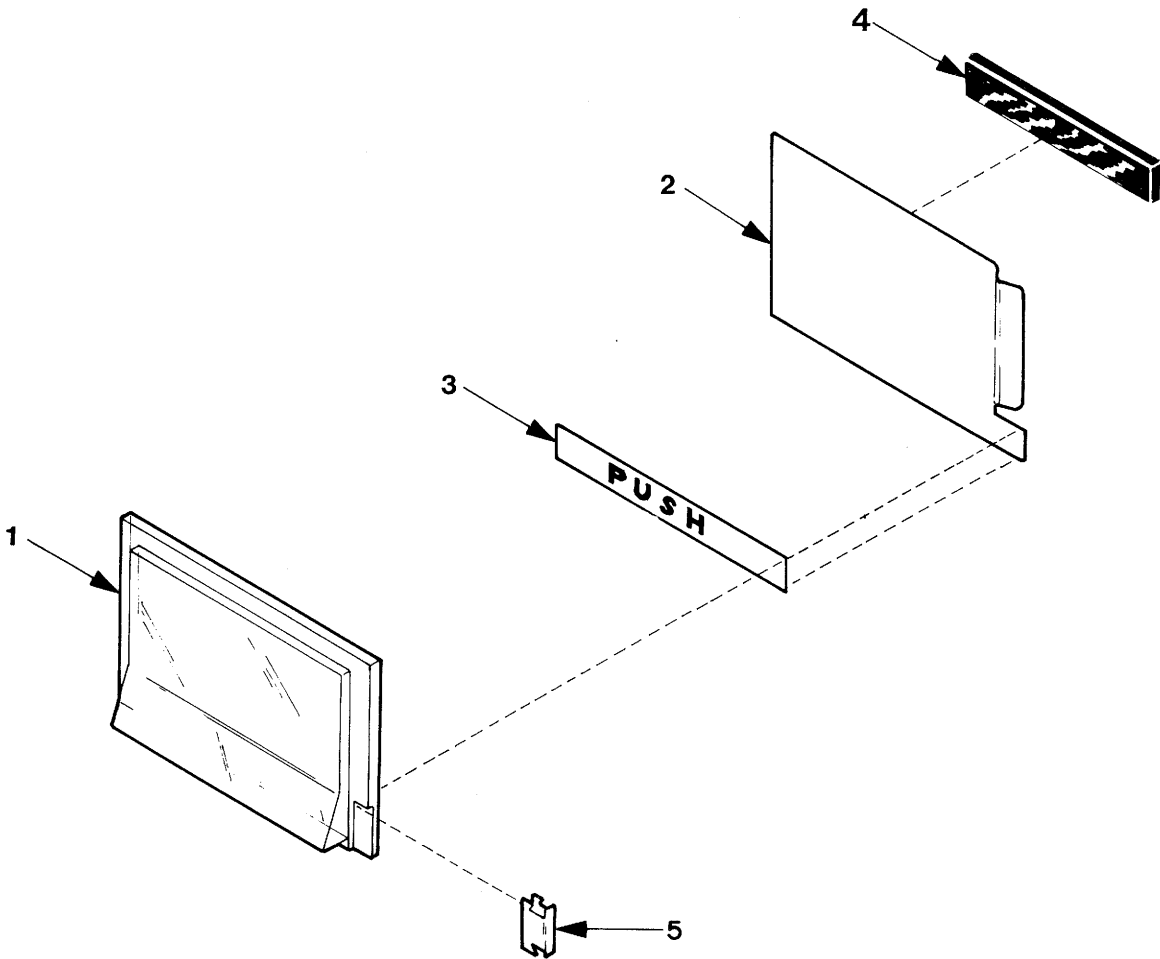
A/R = As Required

COMPLETE RELAY BOX ASSEMBLY



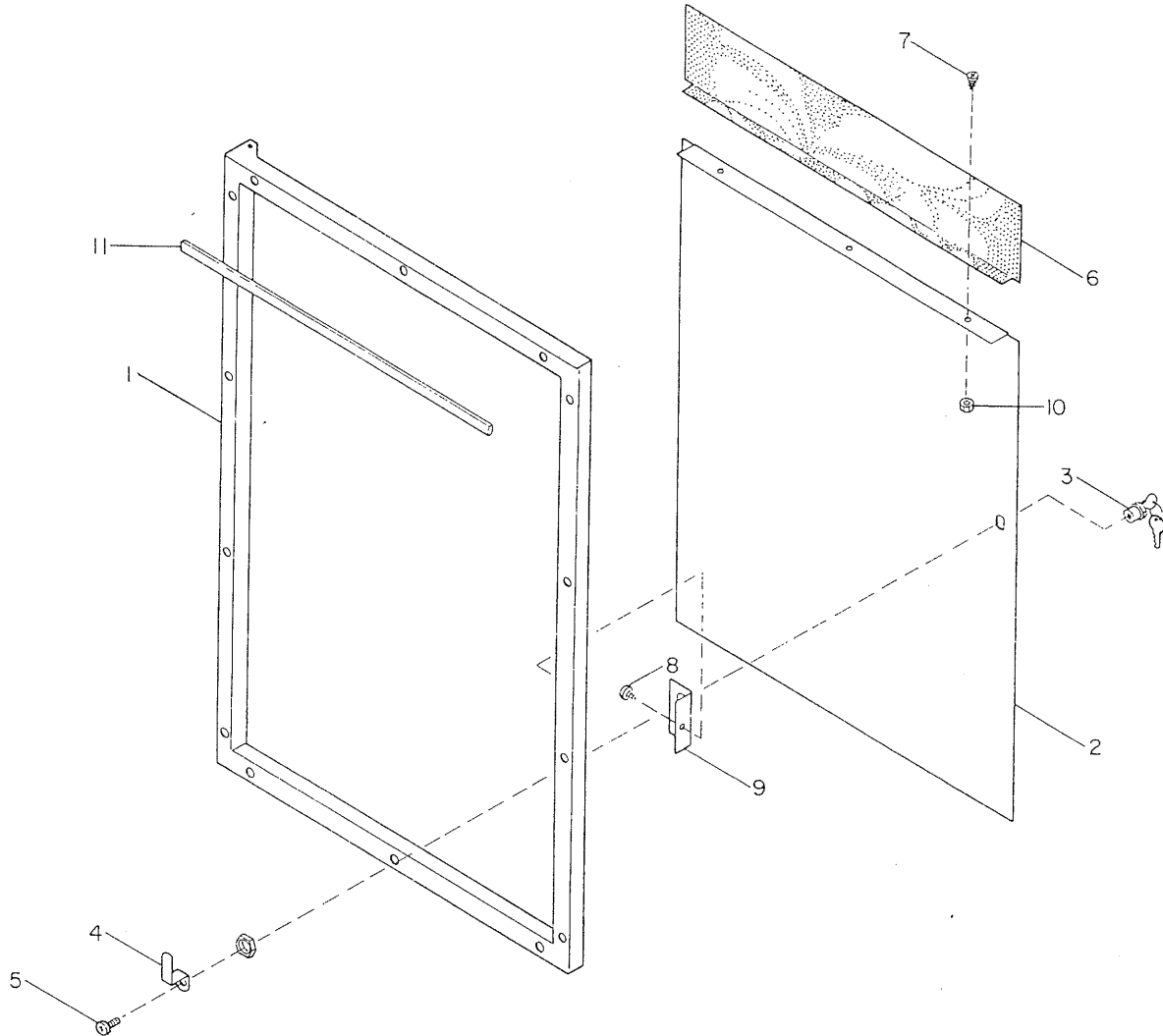
ITEM	PART NUMBER	NO. REQ'D	DESCRIPTION
	1102881	1	Complete Relay Box Assembly
1	4003474	1	Relay Box
2	4050122	2	#6-32x3/8 Phil Pan Hd Type 23
3	4050617	2	Washer - Flat
4	4033607	1	Coin Mech. Plug
5	4033762	1	Relay
6	4050667	2	Pop Rivet
7	4050423	2	#8x 3/8 Phil Pan Hd S.M.S.
8	4003181	1	Mode Switch Lock
9	4034355	1	Harness - Coin Box
10	4033901	1	Slide Switch
11	7201754-002	1	Relay - Time Delay
12	4020854	1	Label - Escrow Switch

SELECTOR BUTTON ASSEMBLY



ITEM	PART NUMBER	NO. REQ'D	DESCRIPTION
	1102177	4	Selector Button Assembly (Blank)
1	4025638	1	Bottom Selector
2	4009772	1	Retainer Flavor Tab
3	4020668	1	Push Decal
4	4060005	4	1/8x3/8 Block Door Tite
5	7335107-000	2	Clip Tinnerman

COMMON LOWER DOOR ASSEMBLY



ITEM	PART NUMBER	NO. RE'QD	DESCRIPTION
	1102844	1	Common Lower Door Assembly
1	1102833	1	Door Frame Weld Assembly
2	1200069-xxx	1	Door Panel Vinyl Assembly (See Pages 2&3)
3	4060671	1	Lock
4	4003225	1	Lock Cam
5	4050791	1	1/4-20x1/4 Phil Truss Hd M.S.
6	4003228	1	Door Grill - Lower
7	4050213	3	#8-32x1/4 Phil Truss Hd M.S.
8	4050202	1	#8-18x1/2 Phil Hex Washer Hd S.M.S.
9	4200176	1	Door Lock Plate
10	4050513	3	#8-32 Twin Whiz Lock
11	4060455	10	Gasket (Feet)

NOTES