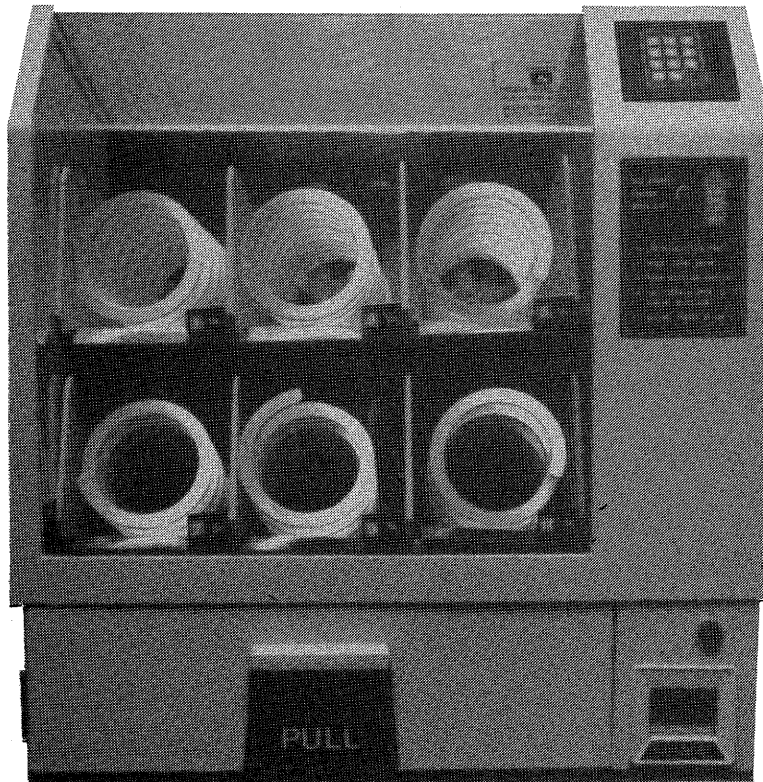


# TABLE TOP GLASSFRONT



**MODEL: 3003**

**PARTS MANUAL**

**PART NUMBER 4200209**

**REVISION 1, 1987**

# TABLE OF CONTENTS

Parts ordering procedure.....	1
Unit final assembly.....	2-3
Complete cabinet bottom assembly.....	4-5
Complete cabinet top assembly.....	6-7
Complete tray assembly.....	8-9

# PARTS ORDERING PROCEDURE

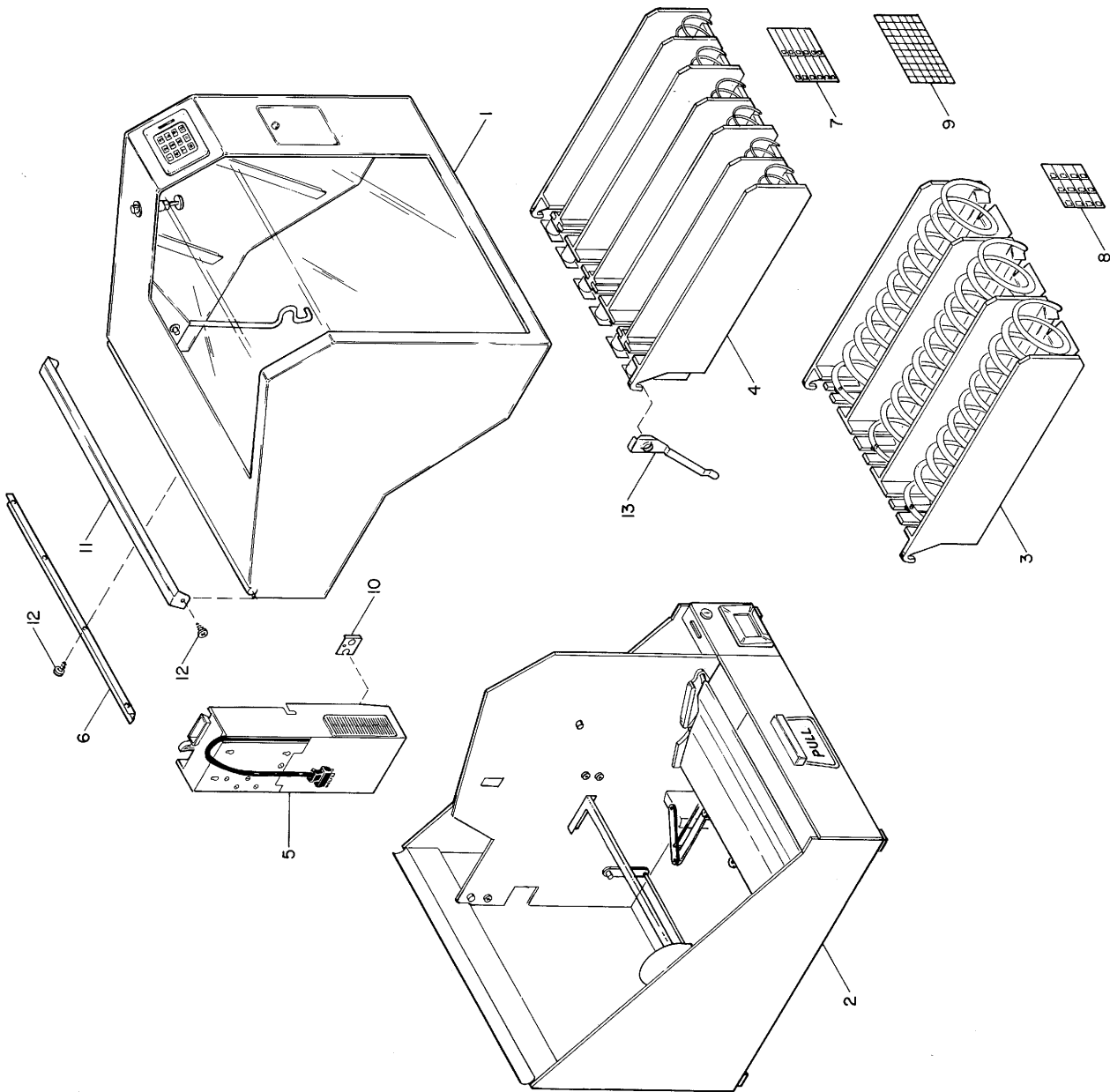
When ordering parts, include the following information:

1. Shipping address.
2. Address where invoice should be sent.
3. The number of parts required.
4. Always refer to the pertinent parts and/or service manual for the correct part number and description of the specific part.
  - (A.) If you do not have the right parts manual at the time you order contact **SELECTIVEND**, P. O. Box 488, 165 No. 10th Street, Waukee, IA 50263. They will provide a copy for you. Don't hold the order pending receipt of the parts manual; use the most accurate description possible (and the model number and serial number of the machine); include the name of the assembly in which the the part is used and, if practical, a sample part. Furnish any information which will enable our Order Department to pinpoint the exact part needed.
  - (B.) When "**RIGHT**" and "**LEFT**" are used in connection with the name of a part, it is taken to mean that the person is facing the machine.
5. Always include model number and serial number of the machines for which the parts are needed.
6. List any special shipping instructions.
  - (A.) Always note if you require air or air special, truck, parcel post, or rail. If a specific carrier is requested, include this on the order.
7. Sign the order and note the date entered on the order.
8. When a purchase order number is used, be sure that it is legible and visible. Mail your order to:

**SELECTIVEND**  
P. O. Box 488  
165 North 10th Street  
Waukee, Iowa 50263

All orders are carefully packed and inspected prior to shipping. Damage incurred during shipment should be reported immediately and a claim should be filed with the terminating carrier.

# UNIT FINAL ASSEMBLY

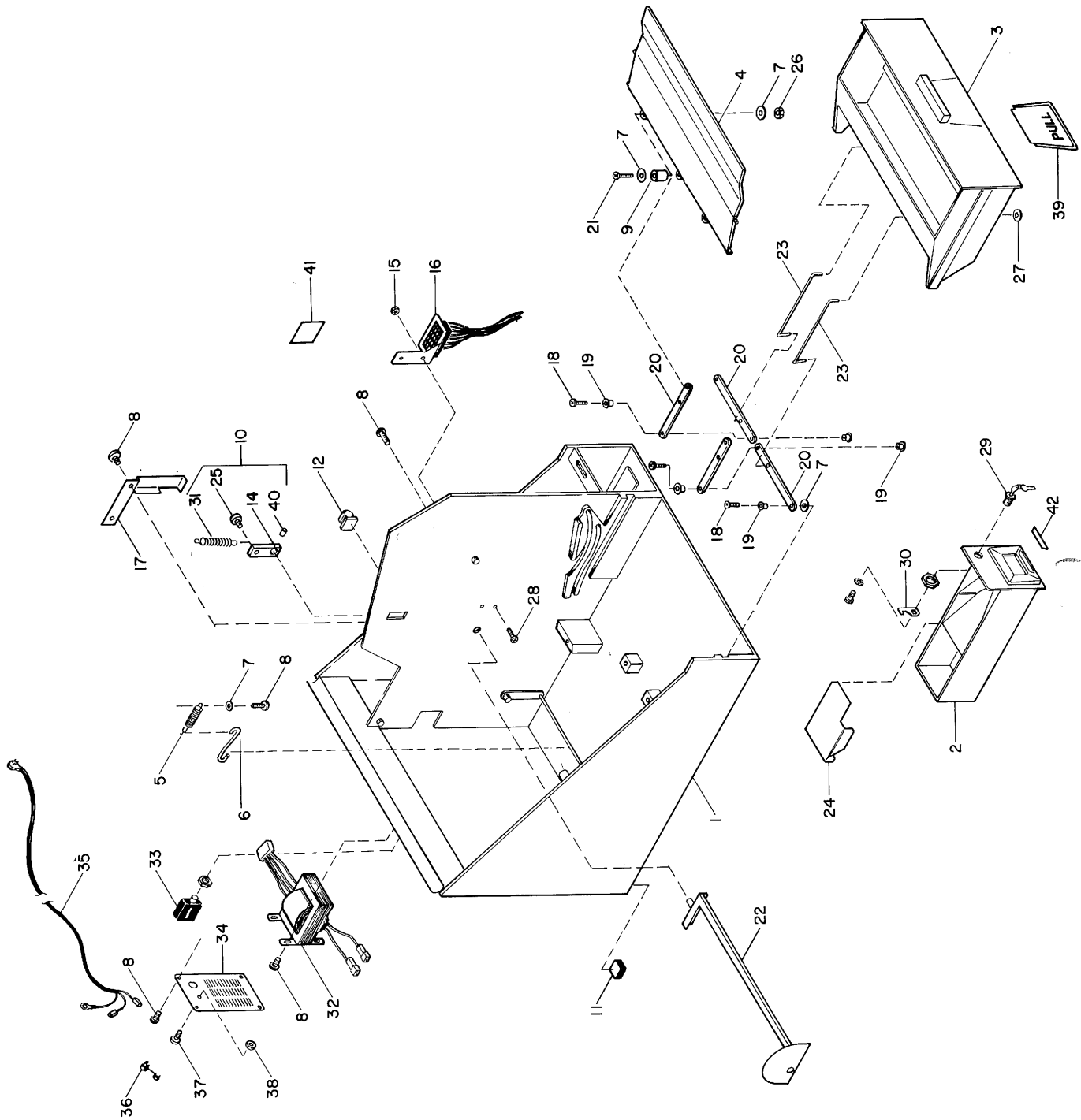


# UNIT FINAL ASSEMBLY

ITEM	PART NUMBER	NO. REQ'D	DESCRIPTION
1	1102948	1	Unit Final Assembly
2	1102949	1	Complete Cabinet Top Assembly
3	1200047	1	Complete Cabinet Bottom Assembly
4	1102946-000	1	Tray Assembly - 3 Select
5	1102947-000	1	Tray Assembly - 6 Select
	4200142	1	Coin Mech C-300-9404 C977 w/CashCounter (optional)
	4050467	1	Coin Mech - C300-9404
6	4200288	1	Hinge - interlock (optional)
7	4200058	1	Selection Label - Small (1-12)
8	4200059	1	Selection Label -Large (1-12)
9	4020867	A/R	Price sheet - 25¢ - 60¢
	4020868	A/R	Price Sheet - 65¢ - \$1.00
	4020869	A/R	Price Sheet - \$1.05 - \$1.40
	4200012	A/R	Price Sheet - \$1.45 - \$1.80
	4200013	A/R	Price Sheet - \$1.85 - \$2.35
	4200014	A/R	Price Sheet -\$2.40 - \$3.15
10	4200236	1	Switch Cover, Coin Mech (optional)
11	4200218	1	Hinge Cover (optional)
12	8800636	6	#8 - 18x1/2 Phil Pan Hd Type "B"
13	4200239	1	Tray Hold Down
	4020071	1	Decal - Minors Forbidden to Purchase
	4060712-000	1	Stand, Table Top (30 1/2" tall)
	4200277	4	Caster, Stand
	4200090	1	Service Manual

A/R = As Required

# COMPLETE CABINET BOTTOM ASSEMBLY

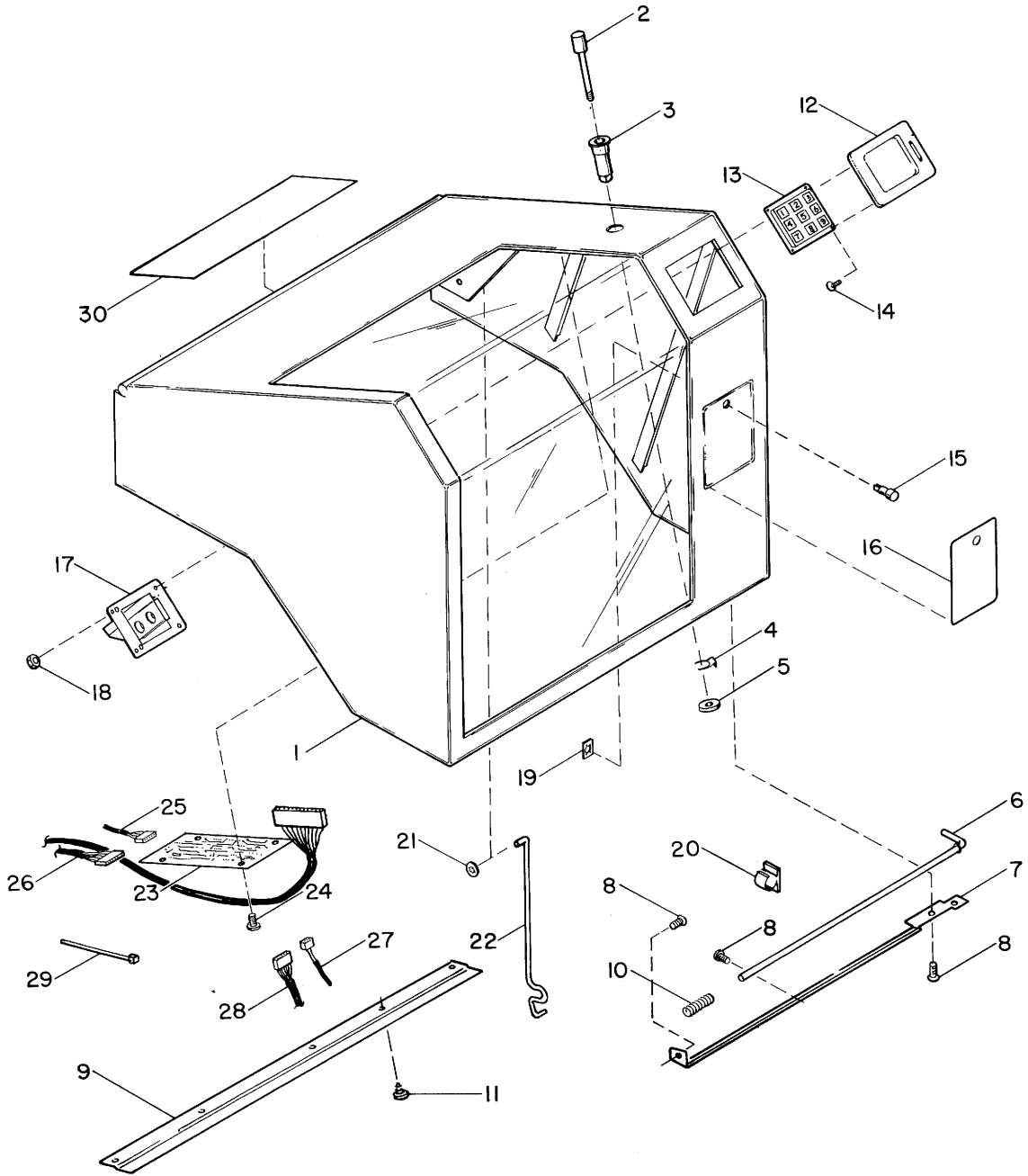


# COMPLETE CABINET BOTTOM ASSEMBLY

ITEM	PART NUMBER	NO. REQ'D	DESCRIPTION	ITEM	PART NUMBER	NO. REQ'D	DESCRIPTION
1	1200047	1	Complete Cabinet Bottom Assembly	23	4060700	2	Slide Pull Wire - Anti-Theft
2	1200048	1	Cabinet Bottom Assembly	24	4200213	1	Coin Stop
3	1200049	1	Coin Drawer Assembly	25	7320174-000	1	#8-32 x 1/4 Phil Rd. Hd. M.S.
4	4025781	1	Delivery Drawer	26	4050495	1	#10-32 Lock Nut
5	4025779	1	Anti-Theft Slide	27	8337564	2	1/8" Spring Nut - Push On
6	4021066	1	Spring	28	4050256	2	#8-32 x 3/4 Phil Flat Hd. M.S.
7	4060073	1	Hook - Spring	29	4060709	1	Lock w/ Keys (Hurd Lock)
8	8801011	A/R	#8 Washer		4060710	1	Lock w/ Keys (Lowe and Fletcher)
9	8800636		#8-18x1/2 Phil Pan Hd. Type 'B'		4060711	1	Lock w/ Keys (Chicago)
10	4030273	2	Bushing	30	4003077-001	1	Lock Cam (Hurd)
11	1200061	1	Cam Assembly		4003077-002	1	Lock Cam (Lowe and Fletcher)
12	4200238	4	Cabinet Feet, Self Adhesive		4003077-003	1	Lock Cam (Chicago)
13	4200330-003	1	Cable Clamp, Self Adhesive	31	4021015	1	Spring
14	8370729	2	Lock Washer	32	1103026	1	Transformer Assembly
15	8620647-001	1	Cam	33	4033488	2	Circuit Breaker
16	8800956	2	#8-32 Hex Nut w/Ext. Tooth Lockwasher	34	4003064	1	Cover - Transformer
17	1103001	1	Wire Harness - Main	35	4033631	1	Power Cord
18	4200184	1	Prop Retainer	36	4033683	1	Bushing - Strain Relief
19	4050337	4	#10-32x5/8 Phil Rd. Hd.	37	4050240	1	#8-32x3/8 Phil Pan Hd.
20	4030412	6	Bushing	38	4050513	1	#8-32 Twin Whiz
21	4025775	4	Slide Control Link -Anti-Theft	39	4200057	1	Decal - Delivery Drawer
22	4050344	2	#10-32x 1 1/4 Phil Pan Hd. M.S.	40	4050205	1	#8-32 Set Screw
	1200058	1	Loading Support Weld Assembly	41	8620711	1	Label - Electronic Warning
				42	7334984	1	Label - Change

A/R = As Required

# COMPLETE CABINET TOP ASSEMBLY

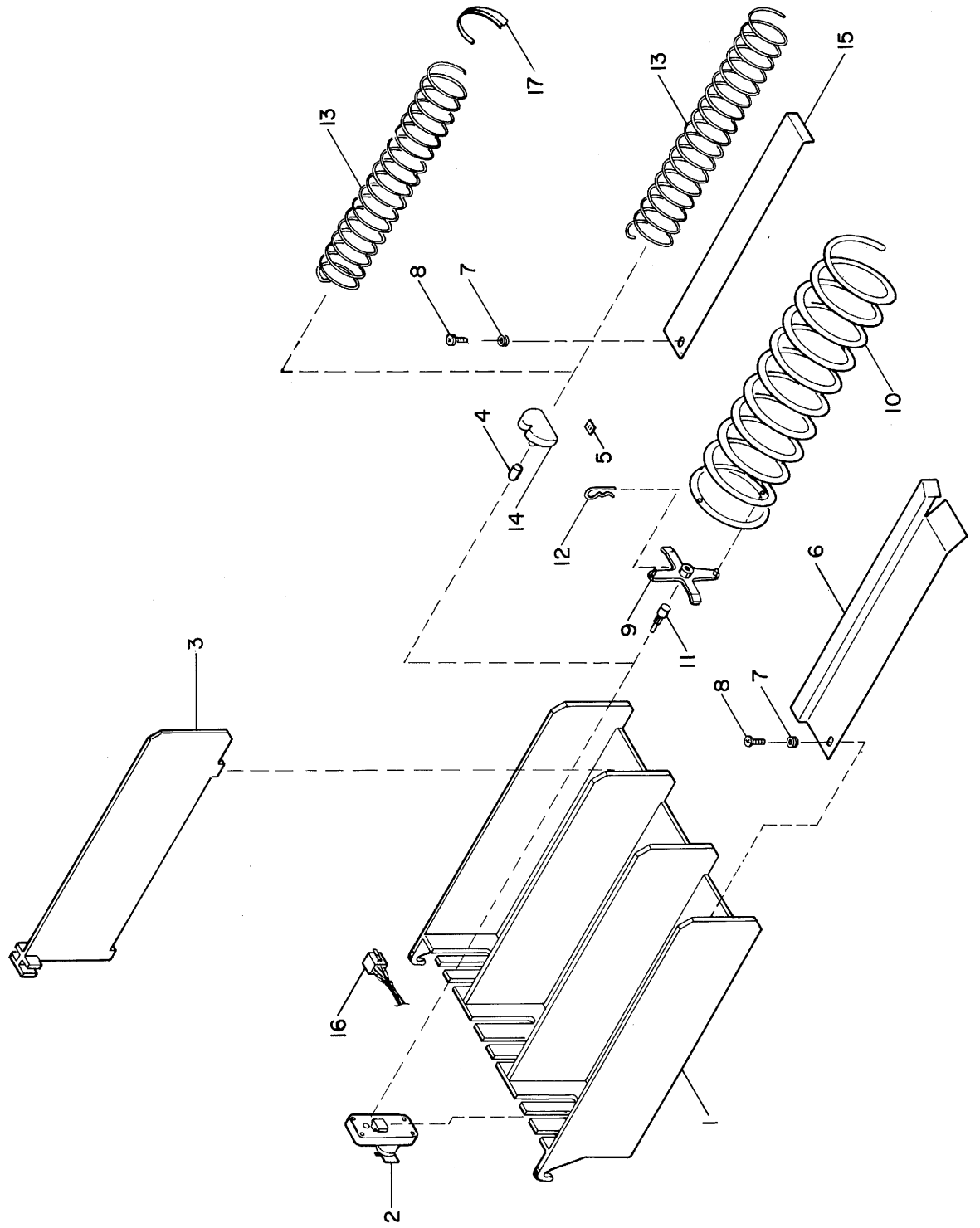




## COMPLETE CABINET TOP ASSEMBLY

ITEM	PART NUMBER	NO. REQ'D	DESCRIPTION
	1102949	1	Complete Cabinet Top Assembly
1	1200050	1	Cabinet Top Window Assembly
2	4025793	1	Coin Return Plunger
3	4025791	1	Holder - Coin Return
4	4060708	1	Clip
5	4025792	1	Plunger End
6	4060705	1	Lock Bar
7	4200168	1	Lock Bar Bracket Coin Return Plunger
8	8800636	5	#8-18x 1/2 Phil Pan Hd. Type "B"
9	4200181	1	Retainer - Top
10	4021092	1	Spring - Lock Bar
11	4200312		#6-20 x 5/16 Hex Washer Hd. S.M.S
12	4025794	1	Bezel - Coin Insert
13	4034398	1	Key Pad
14	4050784	4	2-32x5/16 Slotted Rd. Hd.
15	4200295	1	Correct Change Light
16	4020870	1	Label - Operating Instruction
17	1102951	1	Coin Chute Weld Assembly
18	8800956	4	#8-32 Hex Nut w/Ext. Tooth Lock Washer
19	4050628	1	Push - On Nut
20	4200330-003	2	Cable Clip - Self Adhesive
21	4200088	1	Push - On Nut 1/4'
22	4200171	1	Top Prop
23	4034396	1	Control Board
24	8800861	4	#10-16 Phil Rd. Hd. Tapping Screw Type "25"
25	1103002	1	Transformer Harness
26	1103001	1	Wire Harness - Main
27	1103004	1	Change Light Harness
28	1110314	1	Key Pad Harness
29	4034415-010	1	Wire Tie
30	4200083	1	Label - Price Setting

# COMPLETE TRAY ASSEMBLY



# COMPLETE TRAY ASSEMBLY

ITEM	PART NUMBER	NO. REQ'D	DESCRIPTION
1	1102946-000	1	Tray Assembly - 3 Select
2	1102947-000	A/R	Tray Assembly - 6 Select
3	4025780	A/R	Tray Molded
4	4034388	A/R	Motor - 24V D.C.
5	4025778	A/R	Divider - Tray
6	4050548	A/R	#8 Nylon Screw Cover
7	8337564	A/R	Push-On Tinnerman
8	4003079-000	A/R	Shelf - Adjustable
9	4033967	A/R	Rubber Grommet
10	880636	A/R	#8-18x1/2 Phil Pan HD. Type "B"
11	4025596	3	Adapter - Flat Helix
12	4060704	3	Flat Helix - 8 Cap.
13	4200325	3	Flat Helix - 14 Cap.
14	4025770	3	Adapter - Shaft
15	4050773	A/R	Hitch Pin
16	4060703	A/R	Helix - 2 1/4 Dia, 14 Cap. (Use with P/N 4025771 Only)
17	4200273-000	A/R	Helix - 2 1/4 Dia, 11 Cap. (Use With PN 4025771 Only)
	4200273-001	A/R	Helix - 2 1/4 Dia, 16 Cap. (Use with PN 4025771)
	4025771	A/R	Adapter - Small Auger
	4003078	A/R	Shelf - Adjustable (Aluminum)
	1103003	1	Wire Harness - Tray
	4025745	A/R	Ejector - Product

A/R = As Required

# NOTES

# NOTES

# NOTES



