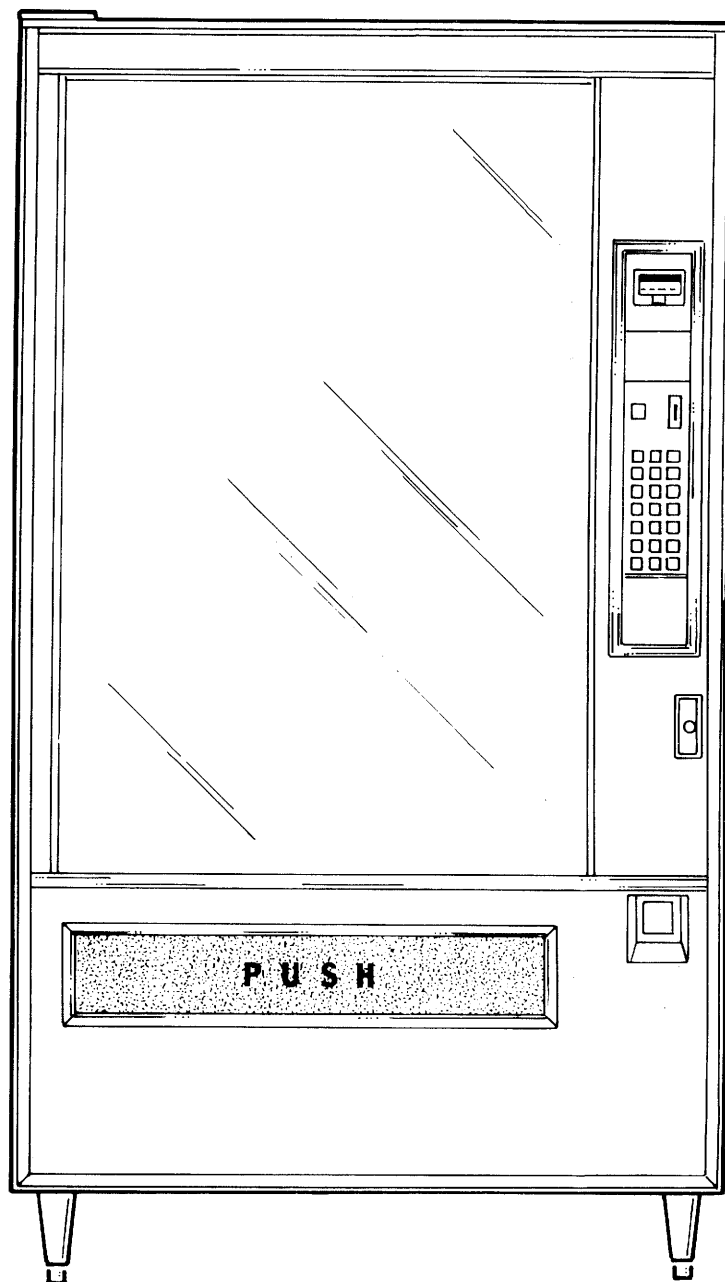


GLASSFRONT MERCHANDISER

PARTS MANUAL



MODEL; 2097, 2098, 2099

PART NUMBER 4020842

TABLE OF CONTENTS

	Page
Parts Ordering Procedure.....	1
Unit Final Assembly.....	2-3
Complete Cabinet Assembly.....	4-5
Control Panel Assembly.....	6-7
Complete Snack & Candy Shelf Assembly.....	8-9
Complete Gum & Mint Assembly.....	10-11
Common Door Assembly.....	12-13
Complete Delivery Assembly.....	14-15
Complete Lamp Assembly.....	16
Power Supply Assembly.....	17
Snackmart II Kits.....	18

PARTS ORDERING PROCEDURE

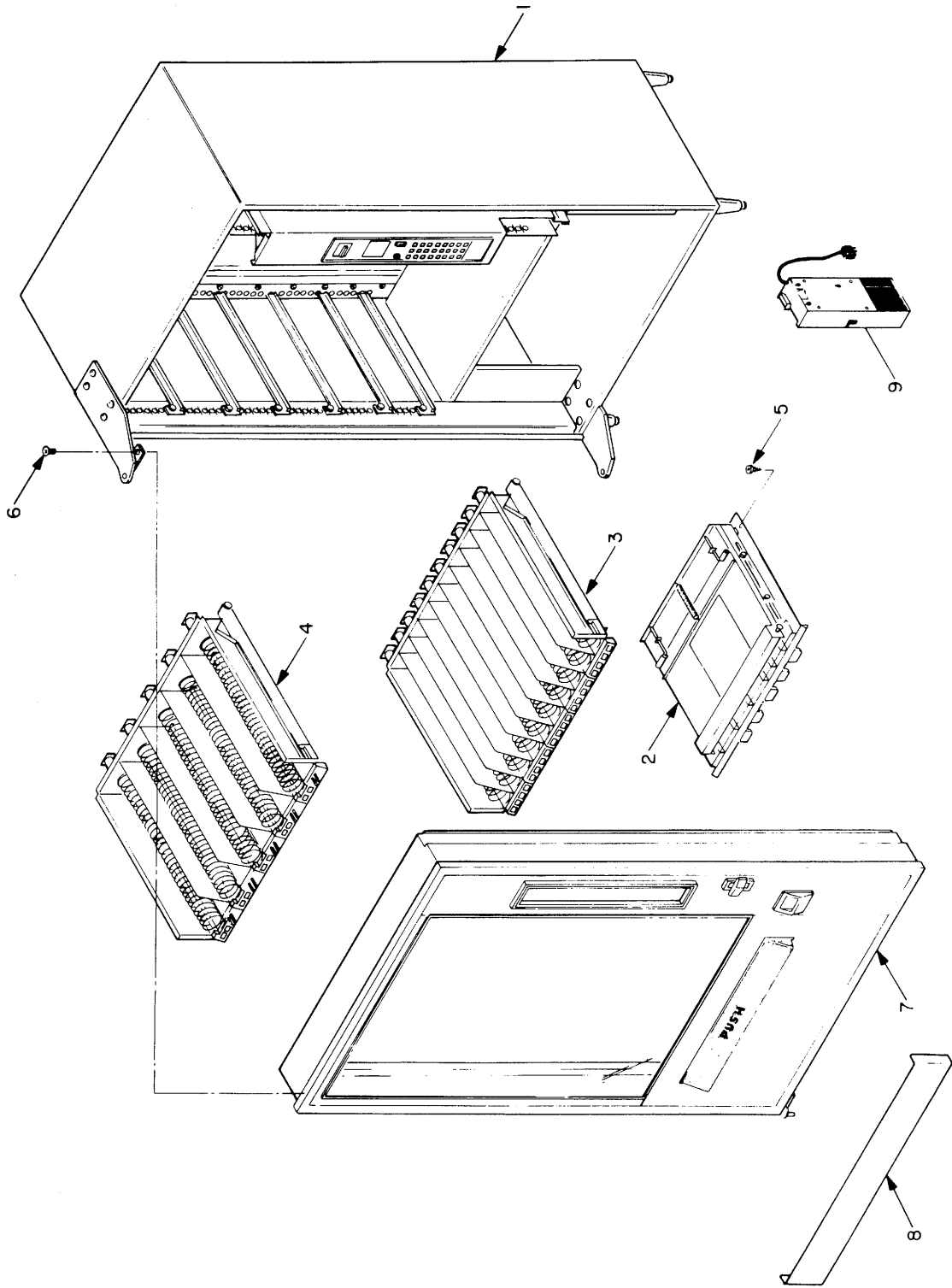
When ordering parts, include the following information:

1. Shipping address.
2. Address where invoice should be sent.
3. The number of parts required.
4. Always refer to the pertinent parts and/or service manual for the correct part number and description of the specific part.
 - (A.) If you do not have the right parts manual at the time you order contact **SELECTIVEND**, P. O. Box 488, 165 No. 10th Street, Waukee, IA 50263. They will provide a copy for you. Don't hold the order pending receipt of the parts manual; use the most accurate description possible (and the model number and serial number of the machine); include the name of the assembly in which the part is used and, if practical, a sample part. Furnish any information which will enable our Order Department to pinpoint the exact part needed.
 - (B.) When "**RIGHT**" and "**LEFT**" are used in connection with the name of a part, it is taken to mean that the person is facing the machine.
5. Always include model number and serial number of the machines for which the parts are needed.
6. List any special shipping instructions.
 - (A.) Always note if you require air or air special, truck, parcel post, or rail. If a specific carrier is requested, include this on the order.
7. Sign the order and note the date entered on the order.
8. When a purchase order number is used, be sure that it is legible and visible. Mail your order to:

SELECTIVEND
P. O. Box 488
165 North 10th Street
Waukee, Iowa 50263

All orders are carefully packed and inspected prior to shipping. Damage incurred during shipment should be reported immediately and a claim should be filed with the terminating carrier.

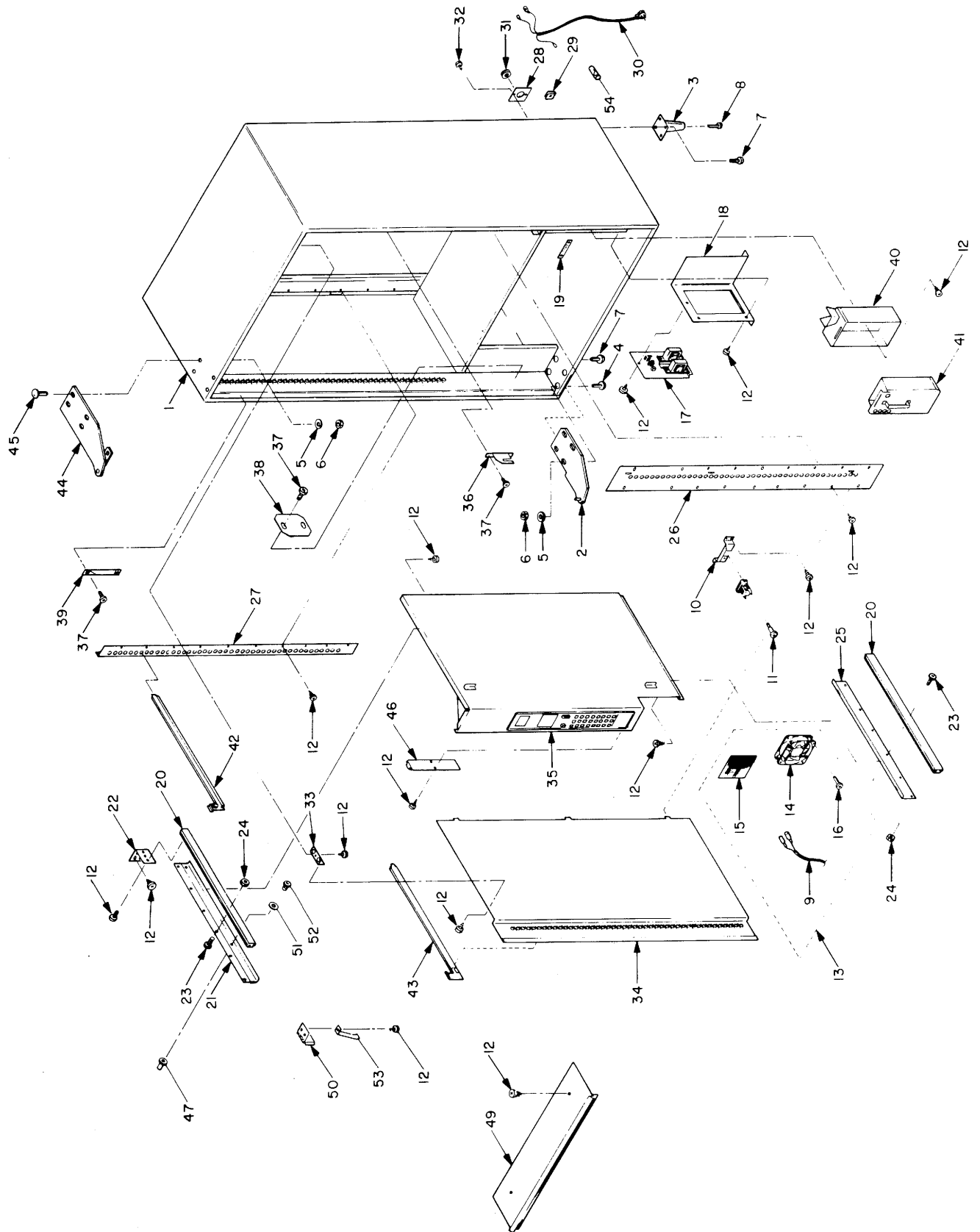
UNIT FINAL ASSEMBLY



UNIT FINAL ASSEMBLY

ITEM	PART NUMBER	NO. REQ'D.	DESCRIPTION
1	1103028-000	1	Unit Final Assembly 2097
	1103029-000	1	Unit Final Assembly 2098
	1103030-000	1	Unit Final Assembly 2099
	1102857	1	Complete Cabinet Assy 2097 See page 4 & 5
	1102858	1	Complete Cabinet Assy 2098 See page 4 & 5
	1102859	1	Complete Cabinet Assy 2099 See page 4 & 5
2	1102936	1	Complete Gum & Mint Assy 2097 See page 10 & 11
	1102434	1	Complete Gum & Mint Assy 2098 See page 10 & 11
	1102985	1	Complete Gum & Mint Assy 2099 See page 10 & 11
3	1102919	1	Final Candy Shelf Assy 2097 See page 8 & 9
	1102969	1	Final Candy Shelf Assy 2098 See page 8 & 9
	1102987	1	Final Candy Shelf Assy 2099 See page 8 & 9
4	1102920	1	Final Snack Shelf Assy 2097 See page 8 & 9
	1102970	1	Final Snack shelf Assy 2098 See page 8 & 9
	1102988	1	Final Snack Shelf Assy 2099 See page 8 & 9
5	4050202	4	#8-18 x 1/2 PhilWasher Hd. Tek
6	4050782	2	1-4-20 x 3/4 Phil Flat Hd. Thread Roller
7	1102872	1	Complete Door Assembly 2097 See page 12 & 13
	1102971	1	Complete Door Assembly 2098 See page 12 & 13
	1102989	1	Complete Door Assembly 2099 See page 12 & 13
8	1102938	1	Kick Panel Assembly 5 1/2" High 2097
	1102982	1	Kick Panel Assembly 5 1/2" High 2098
	1102998	1	Kick Panel Assembly 5 1/2" High 2099
	1102959	1	Kick Panel Assembly 1 1/2" High 2097
	1102983	1	Kick Panel Assembly 1 1/2" High 2098
	1102999	1	Kick Panel Assembly 1 1/2" High 2099
9	4034226	A/R	Coin Mech - Mars
	4060475	A/R	Coin Mech - Coinco
10	4020480	1	Tag - 24 volt Service Only

COMPLETE CABINET ASSEMBLY

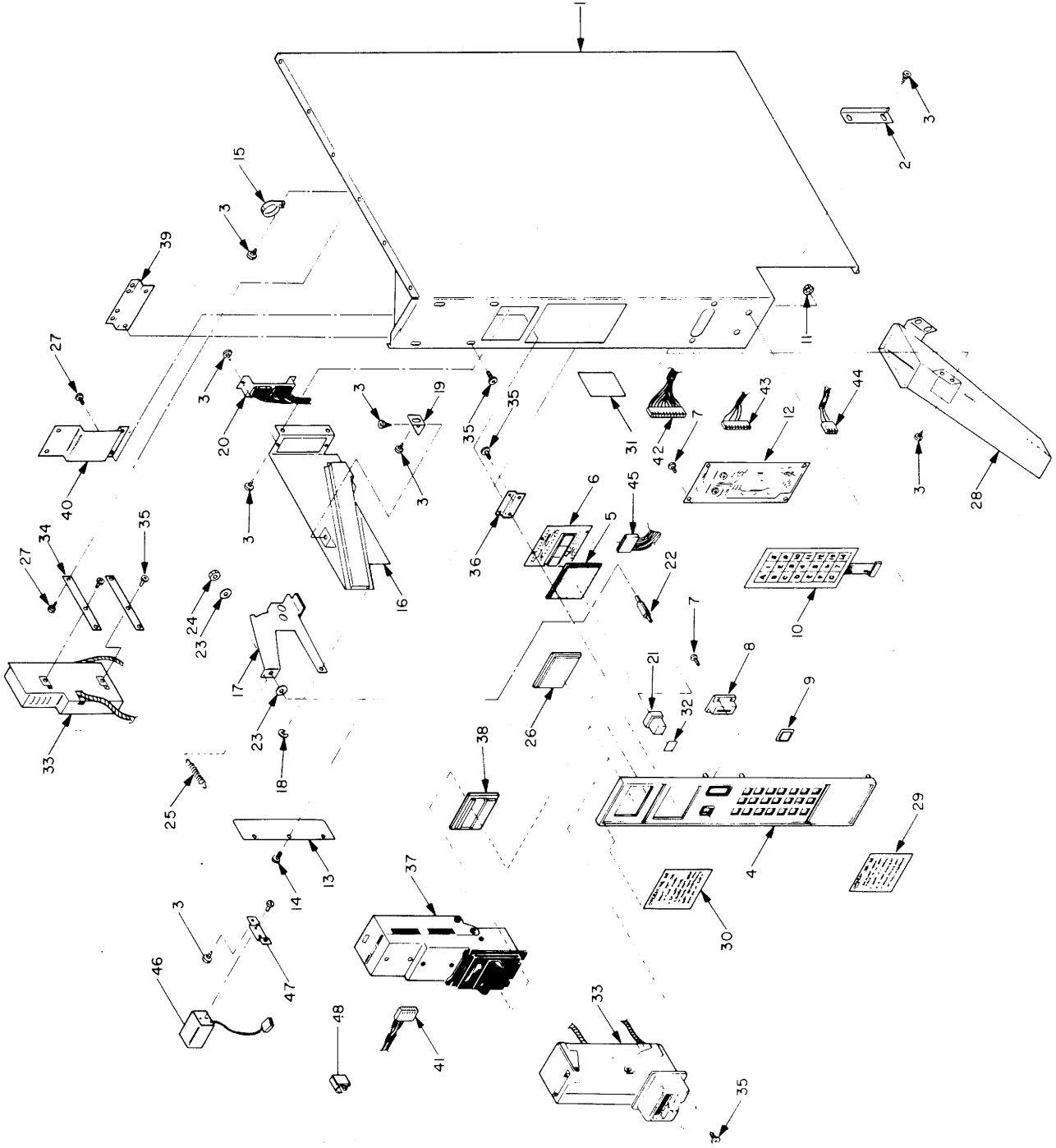


COMPLETE CABINET ASSEMBLY

ITEM	PART NUMBER	NO REQ'D.	DESCRIPTION	ITEM	PART NUMBER	NO REQ'D.	DESCRIPTION
1	1102857	1	Complete Cabinet Assembly 2097	29	4050595-001	2	"J" Type Tinnerman
	1102858	1	Complete Cabinet Assembly 2098	30	4033631	1	Power cord
	1102859	1	Complete Cabinet Assembly 2099	31	4033683	1	Cord Relief Bushing
	1102812	1	Cabinet Weld Assembly 2097	32	7331309-000	2	#8x 1/2 Phil Truss Hd Type "A" S.M.S.
	1102817	1	Cabinet Weld Assembly 2098	33	4003211	1	Top Brace
	1102818	1	Cabinet Weld Assembly 2099	34	4003329	1	Right Side Panel
2	4003303	1	Door Hinge Lower	35	1102864	1	Complete Control Panel Assy
3	1131275	4	Leg Plate - Long	36	4003346	2	See page 10 & 11
	1102957	4	Leg Plate - Short	37	4050373	10	Latch - Door
4	4050781	3	5/16 - 18 x 1 1/4 Hex Hd. Thread Roller	38	4003101	2	1/4 - 20 x 1/2 Phil Pan Hd. Thread Roller
5	7186148-000	3	5/16 Lockwasher	39	4003307	2	Door Stop
6	4050066	3	5/16 - 18 Hex Nut	40	1129154-1	1	Door Guide
7	8801388	13	5/16 - 18 x 3/4 Hex Hd.	41	1102894	1	Coin Box Bracket Weld Assy
8	8363374	4	Leg Leveler	42	1119032-1	1	Coin Box Holder Weld Assy(Safeguard)
9	4034364	1	Fan Harness (Optional)	43	1102871-000	6	Coin Box Weld Assembly
10	4003310	7	Plug Bracket	44	1102822	6	Side Rail Rivet Assembly - Left
11	4060674	14	Shoulder Bolt Amp 208211-1	45	4050099	4	Side Rail Rivet Assembly -Right
12	4050202	A/R	#8-18x 1/2 Phil Hex Hd Washer Hd Tek	46	1102870	1	Top Hinge Rivet Assembly
13	1102886	1	Complete Fan Assy (Optional)	47	4030321	2	5/16 x 3/4 Carriage Bolt
14	4034344	1	Evaporator Fan (Optional)	48	4003153	1	Coin Box Channel Weld Assy
15	4004634	1	Screen -Air Vent (Optional)	49	1102960	1	Gear Screw
16	8800829	4	#10 - 24 x 3/8 Phil Pan Hd.	50	1103018	1	Product Deflector
			w/ Ext. lockwasher (optional)	51	7200729-003	2	Floor Filler Assembly 2097 (optional)
17	1101657	1	Power Supply Assy/See page 21	52	4050204	2	Floor Filler Assembly 2098 (optional)
18	4003205	1	Transformer Housing	53	8383699	1	Floor Filler Assembly 2099 (optional)
19	4020847	1	Label - Power Switch	54	4033527	1	Control Panel Latch
20	4060486	2	Slide - Control Panel				Flat Washer
21	4003201-001	1	Support Angle - Slide				#8-32 x 1/4 Phil Pan Hd. M.S.
22	4003224	2	Slide Bracket				Spring
23	4050244	12	#8 - 32 x 1/2 Phil Truss Hd.				Cig. Clip
24	4050494	12	#8 - 32 F/M Uni-Torque				Harness - Main
25	4003201-000	1	Support Angle - Slide				Tag - Warning Vendor Must Be Grounded
26	4003327-001	1	Rear Rail Support - Right				(Power Cord)
27	4003328	1	Rear Rail Support - Left				Lock - BH075
28	4008548	1	Power Cord Plate				Lock - BH076
							Lock - BH077
							Lock - BH078
							Lock - BH079

A/R = As Required

CONTROL PANEL ASSEMBLY

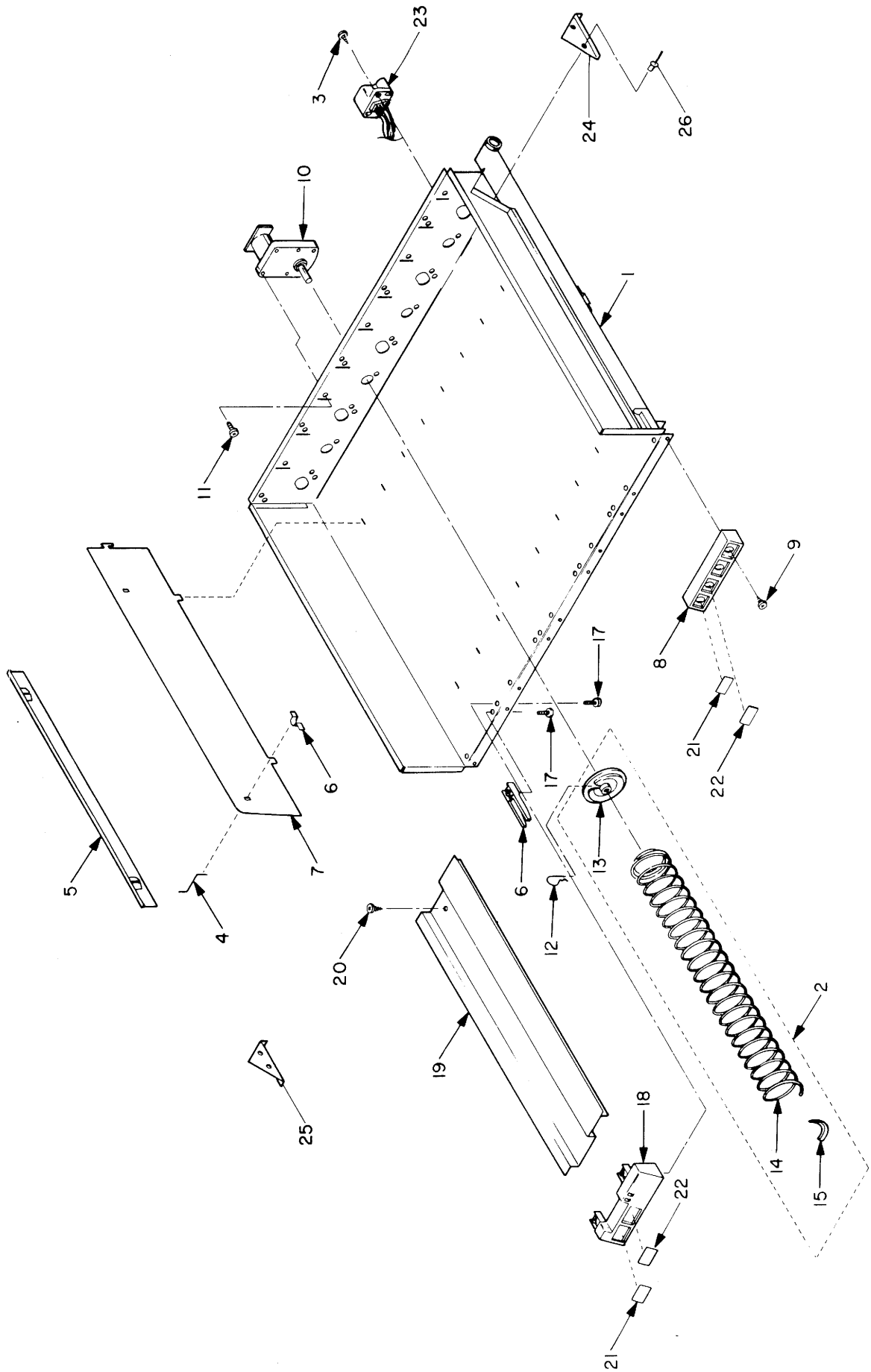


CONTROL PANEL ASSEMBLY

ITEM	PART NUMBER	NO. REQ'D	DESCRIPTION	ITEM	PART NUMBER	NO. REQ'D	DESCRIPTION
1	1102864	1	Control Panel Assy	29	4020855-000	1	Label-Operating Instr w/validator white and black
2	1102865	1	Control Panel Weld Assy				
3	4003169	2	Control Panel Stop		4020855-001	1	Label-Operating Instr w/validator light brown and dark brown
4	4050202	A/R	#8-18x 1/2 Phil Hex Washer Hd Tek				
5	4060666	1	Selector Panel	30	4020862-000	1	Label-Operating Instr w/o validator white and black
6	4025751	1	Window - Read-out				
7	4034360	1	Readout - Coinco		4020862-001	1	Label-Operating Instr w/o validator light brown & dark brown
8	4050212	4	#8 - 32 x 1.4 Phil Pan Hd. S.T.S. Type "23"				
9	4025752	1	Coin Insert Molding	31	4020861	1	Label-Service Mode Key Function
10	4025741	21	Push Button	32	4020859-000	1	Label-Coin Return white & black
11	1102917	1	Key Pad Assembly		4020859-001	1	Label-Coin Return lht brown & dk brown
12	4050747	6	1.4" Sheet Metal Nut	33	4034401	1	Validator - Maka
13	4034362	1	Control Board	34	4003104	1	Control Box Mounting Bracket - Maka
14	1102889	1	Control Board Shield Weld Assy	35	4050239	3	#8-32 x3/8Phil Pan Hd. Type "23"
15	4050240	3	#8 - 32 x 3 8 Phil Pan Hd. M.S.	36	4003094	1	Lower Mounting Bracket -Maka
16	7090002-713	1	3.4" Cable Clamp	37	8620725	1	Validator - Mars
17	1102868	1	Coin Return;Chute Weld Assy	38	4025755	1	Bezel - Mars
18	1102842	1	Coin Release Weld Assy	39	4003100	1	Validator Mounting Bracket
19	8801077	1	1.4" E" Ring	40	4003093	1	Retaining Bracket - Filler
20	4003251	1	Adjusting Bracket	41	4034370	1	Validator Harness 115V - Mars
21	1102893	1	Dual Coin Mech Plug Assy w Harness	42	4034366	1	Control Board Harness
22	4025750	1	Push Button - Coin Return	43	4034369	1	Validator Harness 115V -Maka
23	4060488	1	Rod - Coin Return	44	4034367	1	A/C Harness
24	4050594	2	Wrought Washer	45	4034402	1	Display Harness
25	4050496	1	1.4 - 20 F/M Uni-torque Nut	46	4200015-000	1	Cash Meter (Optional)
26	4021020	1	Spring	47	4200001-000	1	Mounting Bracket - Counter (Optional)
27	4025756	1	Filler - Validator Opening	48	8370959	1	Cable Clamp
28	8800824	A/R	#8 - 32 x 5/8 Phil Truss Hd S.T.S. Type "23"		4020876	1	Label -Bill Insert (Optional)
	1102890	1	Complete Coin Cup Channel Weld Assy		4020813	1	Label - Electronic Coin Mech.
					4020872	1	Label - Warning 110 V. (Validator)

A/R = As Required

COMPLETE SHELF & CANDY SNACK ASSEMBLY

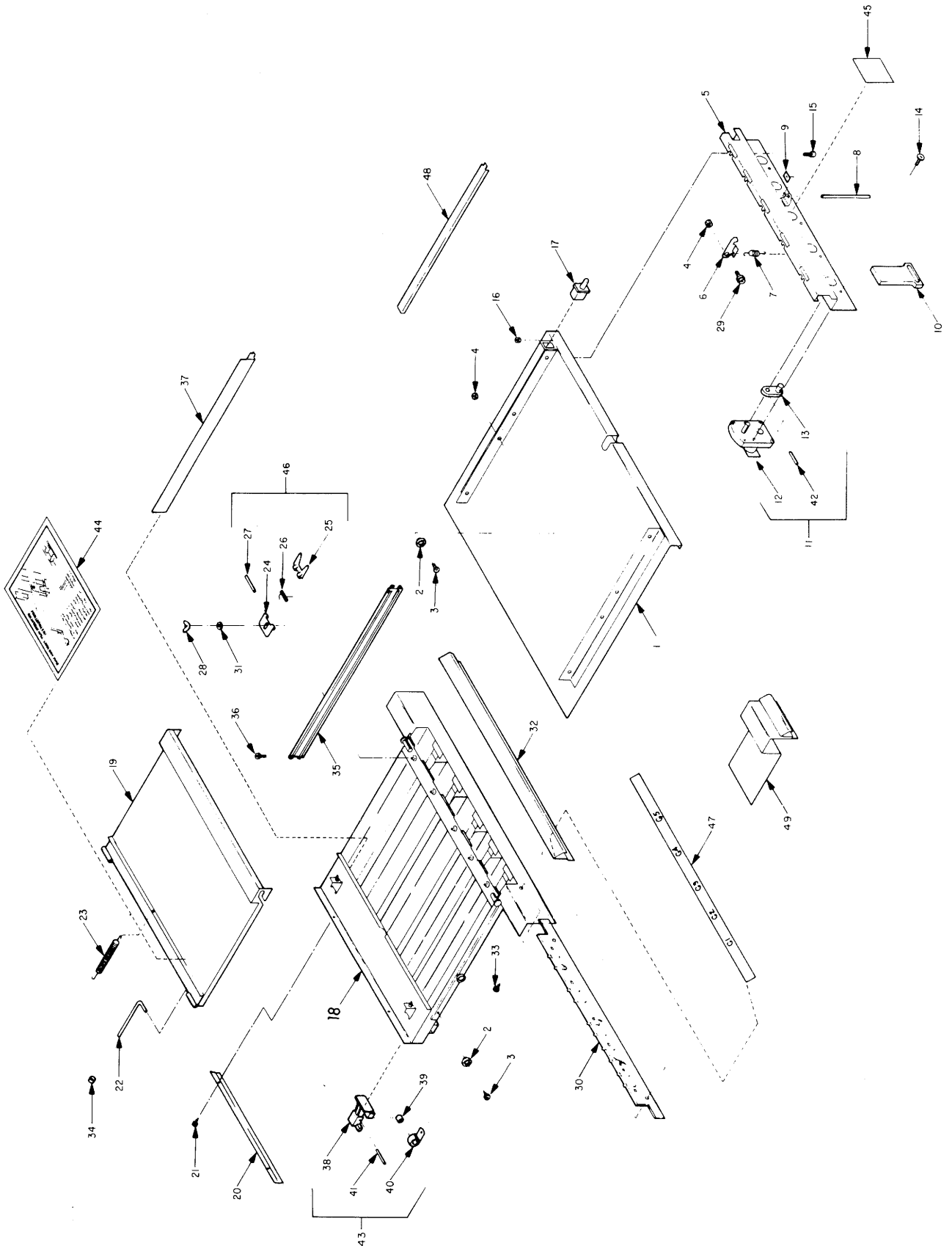


COMPLETE SNACK & CANDY SHELF ASSEMBLY

ITEM	PART NUMBER	NO. REQ'D	DESCRIPTION	ITEM	PART NUMBER	NO. REQ'D	DESCRIPTION
1	1102919	A/R	Final Candy Shelf Assy 2097	11	7200468-8	A/R	#8 x 1/2 Phil Pan Hd. S.M.S.
	1102969	A/R	Final Candy Shelf Assy 2098	12	4050773-001	A/R	Hitch Pin
	1102987	A/R	Final Candy Shelf Assy 2099	13	4025745	1	Coupling - Auger
	1102920	A/R	Final Snack Shelf Assy 2097	14	4060668-000	A/R	Auger - Product 15 Sel. (2 3/8 Dia.) Black
	1102970	A/R	Final Snack Shelf Assy 2098		4060668-001	A/R	Auger - Product 18 Sel. (2 3/8 Dia.) Purple
	1102988	A/R	Final Snack Shelf Assy 2099		060668-002	A/R	Auger - Product 24 Sel. (2 3/8 Dia.) Red
	1102880-000	A/R	Shelf Rivet Assy 2097		4060668-003	A/R	Auger - Product 30 Sel. (2 3/8 Dia.) Green
	1102880-001	A/R	Shelf Rivet Assy 2098		4060668-004	A/R	Auger - Product 10 Sel. (2 3/4 Dia.) Yellow
	1102880-002	A/R	Shelf Rivet Assy 2099		4060668-005	A/R	Auger - Product 12 Sel. (2 3/4 Dia.) Blue
2	1102813-000	A/R	Auger Assy w/ PN 4060668-000 w/Ejector		4060668-006	A/R	Auger - Product 15 Sel. (2 3/4 Dia.) Orange
	1102813-001	A/R	Auger Assy w/ PN 4060668-001 w/Ejector		4060668-007	A/R	Auger - Product 7 Sel. (2 3/4 Dia.) Brown
	1102813-002	A/R	Auger Assy w/ PN 4060668-002 w/Ejector		4060668-008	A/R	Auger - Product 12 Sel. (2 3/8 Dia.) Pink
	1102813-003	A/R	Auger Assy w/ PN 4060668-003 w/Ejector	15	4025748	A/R	Ejector - Product
	1102813-004	A/R	Auger Assy w/ PN 4060668-004 w/o Ejector	16	8383866	A/R	Fork - Snack Drawer
	1102813-005	A/R	Auger Assy w/ PN 40668-005 w/o Ejector	17	8801312	A/R	#10-16 x 1/2 Phil Pan Hd w/Ext. Lock Washer
	1102813-006	A/R	Auger Assy w/ PN 40668-006 w/o Ejector	18	4025746	A/R	Label Holder (Snack)
	1102813-007	A/R	Auger Assy w/ PN 40668-007 w/o Ejector	19	4025749	A/R	Helix Retainer
	1102813-008	A/R	Auger Assy w/ PN 40668-008 w/Ejector	20	4050240	A/R	#8 x 1/4 Phil Hex Washer Hd.
3	7200468-8	2	#8 x 1/2 Phil Pan Hd. S.M.S.	21	4020838	A/R	Label - Selection
4	8370998	A/R	Support - Spacer	22	4020840	1	Label - Price 10c thru \$1.50
5	8370660-4	A/R	Spacer		4020841	1	Label - Price \$1.50 thru \$3.15
6	4060481	A/R	Product Spacer Cup		4020873	1	Label - Price \$1.00,\$1.25,\$1.10,\$1.50 (50ea)
7	4003339	A/R	Shelf Divider	23	4034371	A/R	Shelf Harness 2097
8	4025744	A/R	Label Holder (Candy)		4034394	A/R	Shelf Harness 2098
9	4050792	A/R	#10 - 18 x 1/2 Phil Pan Hd. Tapping Type "B"		4034390	A/R	Shelf Harness 2099
10	4034342	A/R	Auger Motor	24	4003027-000	1	Spacer - Load Rest - right
				25	4003027-001	1	Spacer - Load Rest - left
				26	7201418-003	4	Rivet
					4034387	A/R	Tab - Plug

A/R = As Required

COMPLETE GUM & MINT ASSEMBLY



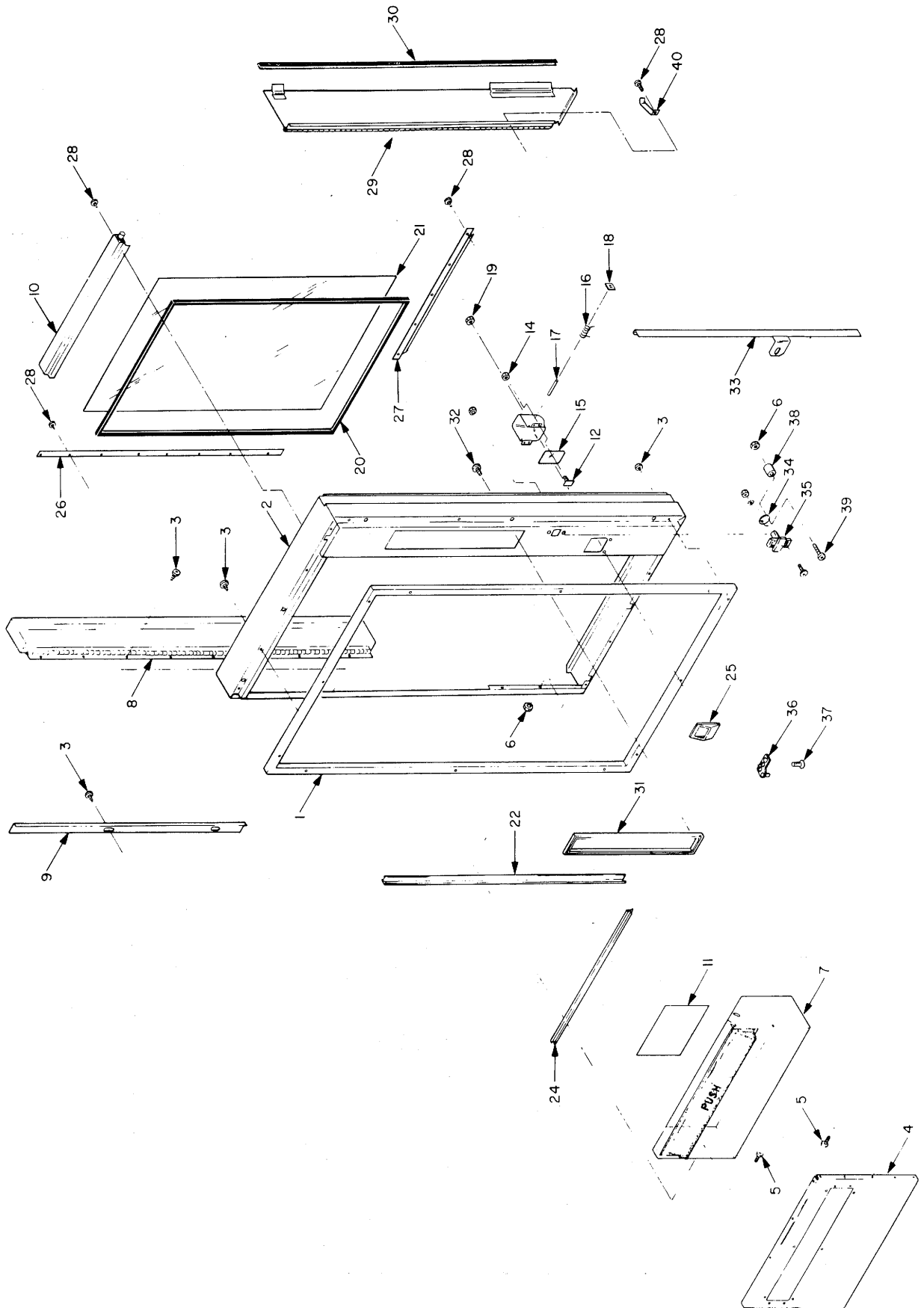
COMPLETE GUM & MINT ASSEMBLY

ITEM	PART NUMBER	NO. REQ'D	DESCRIPTION	ITEM	PART NUMBER	NO. REQ'D	DESCRIPTION
1	1102936	1	Complete Gum & Mint Assy 2097	24	8383091	A/R	Section - Gate Hinge
	1102967	1	Complete Gum & Mint Assy 2098	25	8383092	A/R	Gate Product
	1102985	1	Complete Gum & Mint Assy 2099	26	8383067	A/R	Spring Gate
	1102428	1	Drawer Base Weld Assy 2097	27	8383124	A/R	Pin - Gate Hinge
	1200002-001	1	Drawer Base Weld Assy 2098	28	8336806	A/R	Wing Nut
	1200002-000	1	Drawer Base Weld Assy 2099	29	8380513	1	Shoulder Screw
2	4060172	A/R	Roller Nylon	30	8383090	1	Window Product 2097
3	4050247	A/R	#8-32 x 1/2 Phil Pan Hd. M.S.		4200053-000	1	Window Product 2098
4	4050494	A/R	#8-32 F/M Uni-torque Nut		4025693	1	Window Product 2099
5	1103031-000	1	Front Panel Weld Assy 2097	31	4050609	A/R	Washer 1/2OD x 3/16ID
	1200020-000	1	Front Panel Weld Assy 2098	32	4003742	1	Panel - Label Holder 2097
	1103032-000	1	Front Panel Weld Assy 2099		4200056-000	1	Panel - Label Holder 2098
6	8383069	1	Arm - Catch		4003061	1	Panel - Label Holder 2099
7	4021041	1	Spring	33	4050692	6	Pop Rivet - 5/32 x 3/8 Long
8	4003757	1	Bar - Unlatching	34	7091078-000	2	Tubular Speed Nut
9	4050561	1	Tinnerman - Push on	35	4022404	2	Track Extrusion
10	4025678	A/R	Pusher	36	4050239	8	#8-32x 3/8 Phil Pan Hd Type "23"
11	1102435	A/R	Motor Stake Assy	37	8383129-001	A/R	Partition - Removable
12	4034342	A/R	Motor	38	8383066	A/R	Pusher - Product
13	7332634-000	A/R	Drive Pin	39	8383081	A/R	Bearing - Pusher Spring
14	7200468-8	A/R	#8 x 1/2 Phil Pan Hd. S.M.S.	40	8383337	A/R	Spring - Coiled Band
15	4050319	4	#10-32 x 3/8 Phil Truss Hd. M.S.	41	8801134	A/R	Pin - 1/8 x 1 Corr. Res. Steel
16	4050495	4	#10-32 F/M Uni-torque Nut	42	7332634-000	A/R	Drive Pin - 3/32 x 5/8
17	8361630	1	Switch Interlock	43	1131020	A/R	Product Pusher Assy
18	1102422-000	1	Tray Weld Assembly 2097	44	4020779	1	Decal - Operation Instruction
	1200021-000	1	Tray Weld Assembly 2098	45	4020780	1	Decal - Opening Instruction
	1102443-001	1	Tray Weld Assembly 2099	46	1131095	A/R	Product Gate Assembly
19	1102420	1	Cover Weld Assembly 2097	47	4020860	1	Label - 5 Selection 2097
	1200024-000	1	Cover Weld Assembly 2098		4200062-000	1	Label - 4 Selection 2098
	1102444	1	Cover Weld Assembly 2099		4020865	1	Label - 3 Selection 2099
20	4003748	1	Sold - Out Retainer 2097	48	4003370	A/R	Spacer - Small Products
	4200050-000	1	Sold - Out Retainer 2098	49	1102961	1	Filler Weld Assembly 2097
	4003781	1	Sold - Out Retainer 2099		1200004-000	1	Filler Weld Assembly 2098
21	4050426	2	#10-1/4 Ind. Hex Hd. Phil		1200005-000	1	Filler Weld Assembly 2099
22	8383241	2	Pin - Lid Hinge	50	4034372	1	Harness - Gum & Mint 2097
23	8383131	1	Spring - Cover		4200077	1	Harness - Gum & Mint 2098
					4034391	1	Harness - Gum & Mint 2099

A/R = As Required

COMMON DOOR ASSEMBLY

(See supplement style manual for trim and panels)

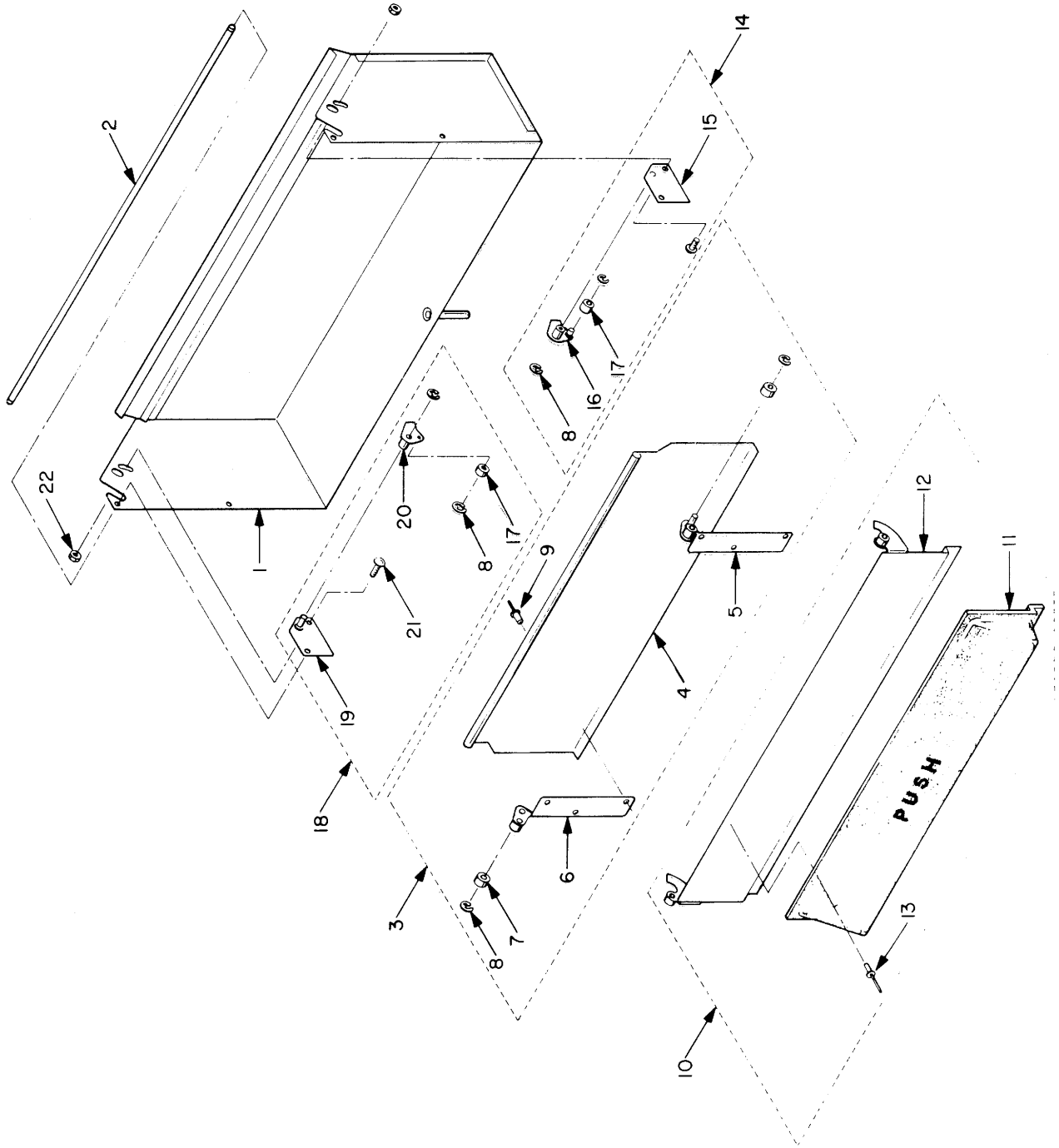


COMMON DOOR ASSEMBLY

ITEM	PART NUMBER	NO. REQ'D	DESCRIPTION	ITEM	PART NUMBER	NO. REQ'D	DESCRIPTION
	1102872	1	Common Door Assy 2097	20	4060669-000	1	Gasket - Glass 2097
	1102971	1	Common Door Assy 2098		4060669-001	1	Gasket - Glass 2098
	1102989	1	Common Door Assy 2099		4060669-002	1	Gasket - Glass 2099
1	1102821-000	1	Door Frame Weld Assy 2097	21	4060673-000	1	Glass - Display 2097
	1102821-001	1	Door Frame Weld Assy 2098		4060673-001	1	Glass - Display 2098
	1102821-002	1	Door Frame Weld Assy 2099		4060673-002	1	Glass - Display 2099
2	1102843-000	1	Door Extension Weld Assy 2097	22	4022405-000	2	Trim - Display
	1102843-001	1	Door Extension Weld Assy 2098	24	4022406-000	1	Trim Display (Inner) 2097
	1102843-002	1	Door Extension Weld Assy 2099		4022406-001	1	Trim Display (Inner) 2098
3	4050202	A/R	#8-18x1/2 Phil Hex Washer Hd Tek		4022406-002	1	Trim Display (Inner) 2099
4	1102891	1	Delivery Panel Weld Assy 2097	25	8379619	1	Trim - Coin Cup
	1102974	1	Delivery Panel Weld Assy 2098	26	4003118	1	Retainer - Glass (Left)
	1102992	1	Delivery Panel Weld Assy 2099	27	4003155	1	Retainer Glass (Bottom) 2097
5	4050240	6	#8-32 x3/8 Phil Pan Hd M.S.		4003058	1	Retainer Glass (Bottom) 2098
6	4050513	6	#8-32 Twin Whiz		4003054	1	Retainer Glass (Bottom) 2099
7	1102873	1	Complete Delivery Assembly 2097	28	8800829	A/R	#10-24x 3/8 Phil Pan Hd w/Ext. Lockwasher
			See page 18 & 19	29	1102897	1	Display Side Shield Weld Assy
	1102975	1	Complete Delivery Assembly 2098	30	4025735	48	Trim - Lok Black (inches)
			See page 18 & 19	31	4060667	1	Bezel - Selector Panel
	1102993	1	Complete Delivery Assembly 2099	32	4050212	8	#8-32x 1/4 Phil Pan Hd S.T.S.
			See page 18 & 19	33	1103027	1	Lock Bar Weld Assembly
8	1102895	1	Left Door Ext Weld Assy	34	4003097	1	Lock Cam
9	4003091	1	Cover - Lamp Harness	35	4060694	1	Lock
10	1102876	1	Complete Lamp Assy 2097/See page 20		4060330		Lock Cylinder/Specify Lock No
	1102981		Complete Lamp Assy 2098/See page 20	36	1102847		Pivot Plate Weld Assy
	1102997		Complete Lamp Assy 2099/See page 20	37	4050782		1/4-20 x 3/4 Phil Flat Hd Thread Roller
11	4020844-000	1	Wiring Diagram 2097	38	4030079		Spacer
	4020844-001	1	Wiring Diagram 2098	39	4050789		#8-32 x 1 Socket Hd Screw
	4020844-002	1	Wiring Diagram 2099	40	8383699		Spring - Shield
12	8328761	4	#10 - 32 x 13/32 T-bolt	41	4020071		Label - Minors Forbidden
13	8349894	1	Coin Cup Casting				
14	8800952	4	#10-32 Hex Nut w/Ext. Tooth Lockwasher				
15	8349892-2	1	Door - Coin Cup				
16	8350338	1	Spring				
17	8346087-1	1	Pin				
18	8337564	1	Tinnerman Push-on nut				
19	8322904	2	Nut				

A/R = As Required

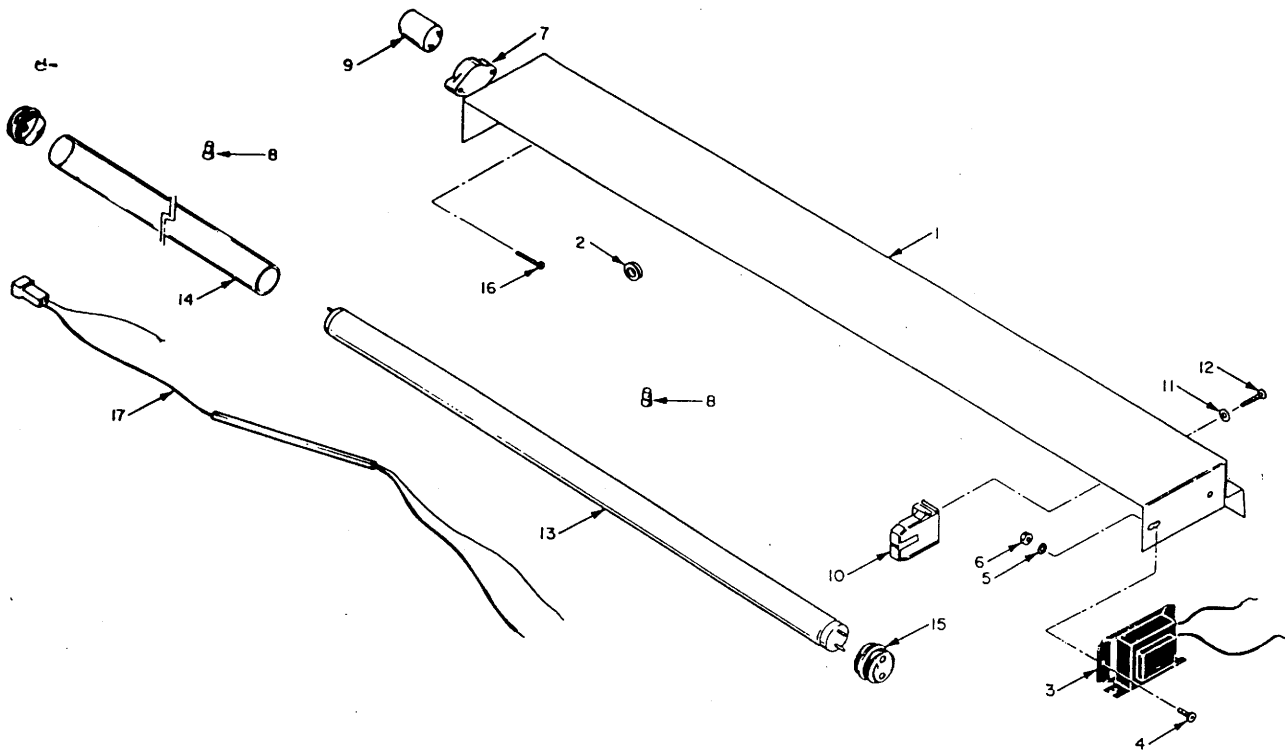
COMPLETE DELIVERY ASSEMBLY



COMPLETE DELIVERY ASSEMBLY

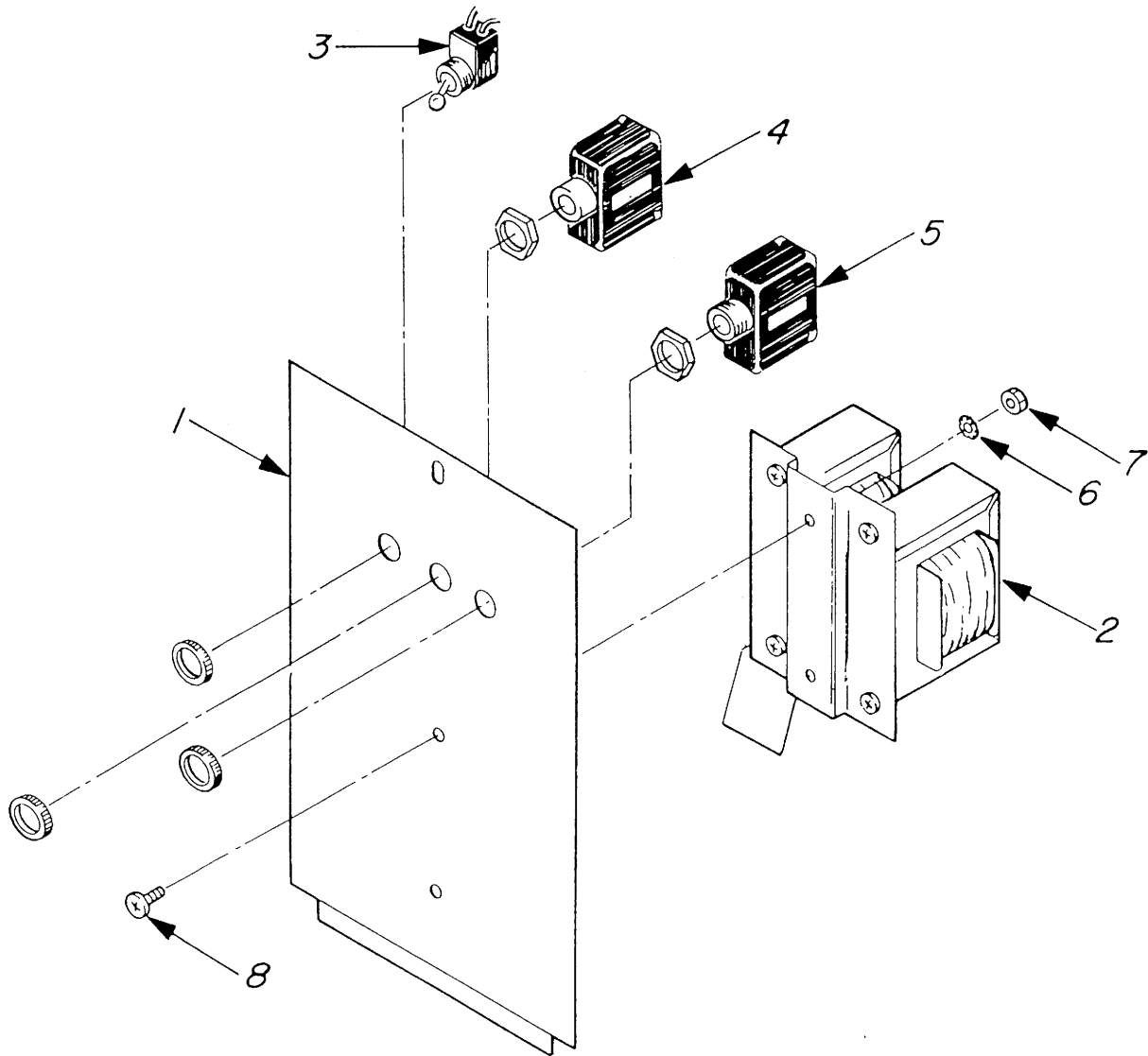
ITEM	PART NUMBER	NO. REQ'D	DESCRIPTION
1	1102873	1	Complete Delivery Assembly 2097
	1102975	1	Complete Delivery Assembly 2098
	1102993	1	Complete Delivery Assembly 2099
	1102874	1	Delivery Weld Assembly 2097
	1102976	1	Delivery Weld Assembly 2098
	1102994	1	Delivery Weld Assembly 2099
2	4060490-000	1	Shaft - Delivery 2097
	4060490-001	1	Shaft - Delivery 2098
	4060490-002	1	Shaft - Delivery 2099
3	1102899	1	Anti-cheat Rivet Assembly 2097
	1102978	1	Anti-cheat Rivet Assembly 2098
	1102996	1	Anti-cheat Rivet Assembly 2099
4	4003147-000	1	Panel - Anti-cheat 2097
	4003147-001	1	Panel - Anti-cheat 2098
	4003147-002	1	Panel - Anti-cheat 2099
5	1102925-000	1	Hinge Weld Assembly (Right)
6	1102925-001	1	Hinge Weld Assembly (Left)
7	4030409	2	Roller - Anti-cheat Hinge (7 16 wide)
8	8801080	8	"E" Ring
9	7201418-003	6	Pop Rivet - 1.8" Dia x 1.4" Long
10	1102896	1	Delivery Door Rivet Assembly 2097
	1200026-000	1	Delivery Door Rivet Assembly 2098
	1102979	1	Delivery Door Rivet Assembly 2099
11	8380325	1	Delivery Door 2097
	4200045-000	1	Delivery Door 2098
	4025742	1	Delivery Door 2099
12	1102928	1	Delivery Back Weld Assembly 2097
	1102980	1	Delivery Back Weld Assembly 2098
	1103010	1	Delivery Back Weld Assembly 2099
13	4050667	10	Pop Rivet 1.8" Dia x 3/8" Long
14	1102929-000	1	Back-up Plate Assembly - Right
15	1102923-000	1	Back-up Plate Stake Assembly - Right
16	1102892-000	1	Delivery Cam Weld Assembly - Right
17	4060499	2	Roller - Delivery Cam (5/16 wide)
18	1102929-001	1	Back-up Plate Assembly - Left
19	1102923-001	1	Back-up Plate Stake Assembly - Left
20	1102892-001	1	Delivery Cam Weld Assembly - Left
21	7188598-000	2	#10 - 32 x 3/8 Carriage Bolt
22	4050546	2	#10 - 32 Twin Whiz Nut

COMPLETE LAMP ASSEMBLY



ITEM	PART NUMBER	NO REQ'D	DESCRIPTION
	1102876	1	Complete Lamp Assembly 2097
	1102981	1	Complete Lamp Assembly 2098
	1102997	1	Complete Lamp Assembly 2099
1	4003152	1	Lamp Mounting Bracket 2097
	4003033	1	Lamp Mounting Bracket 2098
	4003032	1	Lamp Mounting Bracket 2099
2	4033654	1	Rubber Grommet
3	4033669	1	Ballast 2097
	4033609	1	Ballast 2098, 2099
4	4050240	2	#8 - 32 x 3/8 Phil Pan Hd M.S.
5	4050585	2	#8 Lockwasher
6	4050513	2	#8 - 32 Twin Whiz Nut
7	4033617	1	Starter Socket
8	4033505	1	Closed End Splice
9	4033661	1	Starter 2097
	4033567	1	Starter 2098 2099
10	4033505	2	Lamp Holder
11	7200729-002	2	#6 Washer
12	4050137	2	#6 - 32 x 5/8 Slotted Truss M.S.
13	4033550	1	Lamp 2097
	4033549	1	Lamp 2098
	4033668	1	Lamp 2099
14	4033713-001	1	Plastic Safety Tube 2097
	4025674	1	Plastic Safety Tube 2098
	4025262	1	Plastic Safety Tube 2099
15	4033713-002	2	End Caps - Safety Tube
16	4050018	2	#4 - 4- x 3/8 Phil Pan Hd M.S.
17	4034373	1	Lamp Harness

POWER SUPPLY ASSEMBLY



ITEM	PART NUMBER	NO. REQ'D	DESCRIPTION
	1102958	1	Power Supply Assembly
1	4009964	1	Transformer Mounting Bracket
2	1101657	1	Transformer Assembly
3	4033511	1	Power Switch
4	4033071	1	Circuit Breaker - 3 Amp.
5	4033488	1	Circuit Breaker - 1 1/2 Amp.
6	4050585	1	#8 Ext. Shakeproof Lockwasher
7	4050513	2	#8 - 32 Twin Whiz Nut
8	4050240	2	#8 - 32 x 3/8 Phil Pan Hd M.S.
	4020847	1	Label - Power Switch
	4034437	1	Straight Style Housing (Insulator)

SNACKMART II KITS

KIT NAME	PURPOSE	KIT NUMBER
Snack To Candy	Auger Selection 15 Item	265032-000
Snack To Candy	Auger Selection 18 Item	265032-001
Snack To Candy	Auger Selection 24 Item	265032-002
Snack To Candy	Auger Selection 30 Item	265032-003
Snack To Candy	Auger Selection 12 Item	265032-004
Candy To Snack	Auger Selection 10 Item	265033-000
Candy To Snack	Auger Selection 12 Item	265033-001
Candy To Snack	Auger Selection 15 Item	265033-002
Candy To Snack	Auger Selection 7 Item	265033-003
Cash Meter	Cash Accountability	265038
Maka Validator	Installation of Validator	265041
Exhaust Fan	Installation of Fan	265043
Drawer Spring	Drawer Connection to Harness	265044

NOTES

NOTES

