

15 Selection

15/3 Selection

25 Selection

25/5 Selection

30 Selection

GLASSFRONT SERVICE & PARTS MANUAL

Part Number 4020808

TABLE OF CONTENTS

Introduction	3
Variations	3
Specifications	3
Installation Instructions	4
Helix Timing	5
Product Loading	5
Price Setting Instructions	
Coinco \$3.15 Coin Mechanism	6
Price Zones for Four Price Coinage System	7
Multi-Price Coinage System \$3.15	8
Multi-Price II Coinage System \$3.15	9
Micro-Mech™ Installation and Operation Guide	10
Motor Jumper	11
Gum and Mint Rack Installation	12
Narrow Candy Bar Spacer Installation	13
Instructions for Mounting Plastic Web	14
Care and Cleaning	15
Acceptor	15
Acceptor (Micro-Mech™)	15
Trouble Shooting	16, 17
Wiring Diagrams	
15 Selection Four Price	18
15 Selection Multi-Price	19
15/3 Selection Four Price	20
15/3 Selection Multi-Price	21
25 Selection Four Price	22
25 Selection Multi-Price	23
25/5 Selection Four Price	24
25/5 Selection Multi-Price	25
30 Selection Four Price	26
30 Selection Multi-Price	27
15 Selection Four Price (schematic)	28
15 Selection Multi-Price (schematic)	29
15/3 Selection Four Price (schematic)	30
15/3 Selection Multi-Price (schematic)	31
25 Selection Four Price (schematic)	32
25 Selection Multi-Price (schematic)	33
25/5 Selection Four Price (schematic)	34
25/5 Selection Multi-Price (schematic)	35
30 Selection Four Price (schematic)	36
30 Selection Multi-Price (schematic)	37
Parts List	
Unit Final Assembly	38
Unit Final Assembly Parts List	39
Complete Cabinet Assembly	40
Complete Cabinet Assembly Parts List	41
Relay Panel Assembly	42
Relay Panel Assembly Parts List	43
Multi-Price Relay Board Assembly	44
Multi-Price Relay Board Assembly Parts List	45
Multi-Price II Complete Relay Panel Assembly	46
Multi-Price II Complete Relay Panel Assembly Parts List	47
Flat Wire Helix Tray Assembly	48
Flat Wire Helix Tray Assembly Parts List	49
Wire Helix Tray Final Assembly	50
Wire Helix Tray Final Assembly Parts List	51
Bottom Wire Helix Tray Final Assembly	52
Bottom Wire Helix Tray Final Assembly Parts List	53
Gum and Mint Assembly	54
Gum and Mint Assembly Parts List	55
Coin Insert Assembly	56
Coin Insert Assembly Parts List	57
Selector Panel Assembly	58
Selector Panel Assembly Parts List	59
Complete Door Assembly	60
Complete Door Assembly Parts List	61, 62
Kits and Accessories	63

INTRODUCTION:

This manual contains information on the glassfront vendor and the various models within the product line along with optional equipment and accessories offered for each model.

The glassfront vendor has a "First-In", "First-Out" vending procedure and features the "Vend the Item You See", therefore does not require a display item and eliminates the need of product rotation to insure product freshness. Each product tray can be pulled forward and/or tipped for easy loading, cleaning, and servicing. There are three types of trays: a Flatwire Helix Tray, which is used for vending large items such as pastry, chips, etc.; a Round Wire Helix Tray for small items such as candy; and a Gum and Mint Tray. Each selection has an individual motor for rotating the selected product to the delivery hopper and advancing the next product to the vend area. All Glassfront Vendors are available with the following types of coinage systems:

A standard Four Price Coinage System

A Multi-Price Control Coinage System

The coinage systems are explained and outlined on pages 6 through 10.

VARIATIONS:

The Tray configurations are explained in pages 13 through 17.

The number of selections are as follows:

15 Selection

18 Selection- 15 Selection Plus

3 Selection Gum and Mint Tray

25 Selection

30 Selection

30 Selection- 25 Selection Plus

5 Selection Gum and Mint Tray

SPECIFICATIONS:

CABINET:

	Model 15 & 18 Selection	Model 25 & 30 Selection
Height:	68"	68"
Width:	28"	38"
Depth:	31"	31"
Weight:	425 Pounds	570 Pounds

ELECTRICAL: Line Source 115 VAC, 60 H
Current 14 AMPs maximum

COINAGE:

FOUR PRICE CHANGER

Accepts nickles, dimes, and quarters. Selection of four vend prices, 5¢ through \$3.15; Adjustable in 5¢ increments. Change pay-back is in 5¢ increments as long as adequate change is available in change tubes; with tube escrow until selection.

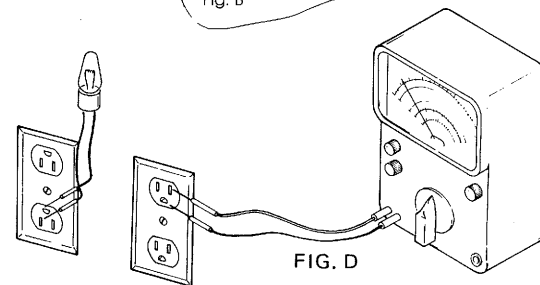
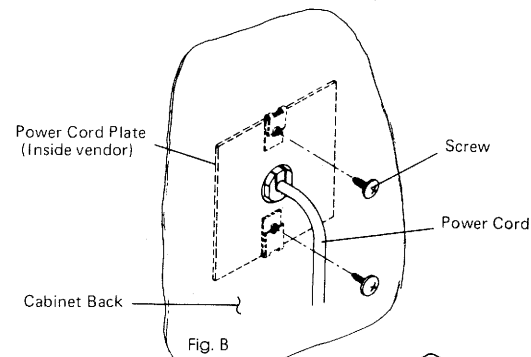
MULTI-PRICE COINAGE SYSTEM

Accepts nickles, dimes, and quarters. Selection of thirty vend prices, 5¢ through \$3.15; Adjustable in 5¢ increments. Change pay-back is in 5¢ increments as long as adequate change is available in change tubes; with tube escrow until selection.

INSTALLATION INSTRUCTIONS:

1. Remove all packing material in a manner not to damage the finish or exterior of that Vendor. To unlock the door, the key will be found taped inside the Coin Return Cup. Remove all shipping brackets, inner packing material, and tape from the Vendor. To try to operate the Vendor without removing the tape from the moving parts may result in damage.
2. Record the Model Number and Serial Number of the Vendor and refer to these numbers on all inquiries and Correspondence pertaining to that Vendor.
3. This Vendor was thoroughly inspected before leaving the Factory, and the Carrier has accepted this Vendor as their responsibility. Any damages or irregularities should be noted at the time of delivery and immediately reported to the Delivering Carrier. Request a written Inspection Report from the Claims Inspector to file any freight claims for damage. File claim with CARRIER...NOT with MANUFACTURER.
4. Run the Power Cord through the hole in the cabinet back. Align the two holes on the Cord Plate with the holes on the back of the Cabinet. Then attach the Plate with the screws provided. (See Fig. B.)

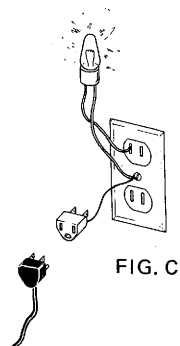
5. To insure safe operation of an electrically equipped vendor, the vendor must be grounded. To verify that the receptacle is properly grounded, connect one probe of the test light to the screw holding the receptacle cover. Insert the other probe into the opening of each outlet. If the test light does not light when placed in either side of the receptacle, the receptacle is not grounded. To provide a proper ground use an adapter which has a ground wire attached. The wire should be connected to a ground such as a water pipe. If the receptacle is grounded but is not the three-prong type, the adapter may be used. Attach the wire to a ground or to the receptacle cover securing screw. (See Fig.C.)



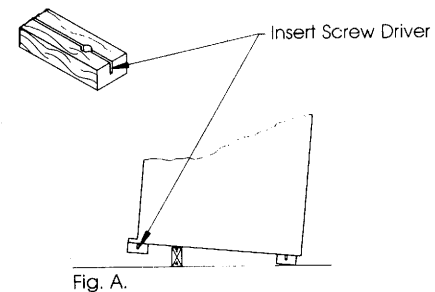
Receptacle with three (3) female openings. To verify that the receptacle is properly grounded and polarized, insert one probe of a voltmeter (set to check AC line voltage) or test light, in the ground terminal position "hole" of the 3-position receptacle, insert the other probe (of voltmeter or test light) in the L.H. slot (if ground "hole" is up) or in the R.H. slot (if ground "hole" is down). You should read 115 VAC on the voltmeter, or the light should light.

If you find this is not the result, you should contact a licensed electrician to correctly polarize and/or ground the receptacle to insure safe operation.

Consult Local, State, and Federal codes for compliance before installation of vendor. (See Fig. D.)



6. Remove Knock-A-Way Support by inserting a screwdriver and splitting the Knock-A-Way in two. Turn the leveling screws in as far as possible. Position the Vendor in its place of operation. Level the Vendor, making sure all levelers are touching the floor. The Vendor must be level for proper operation and acceptance of coins through the Coin Mechanism. If the Vendor is properly leveled, it should not rock or teeter on any of the levelers. (See Fig. A.)



HELIX TIMING:

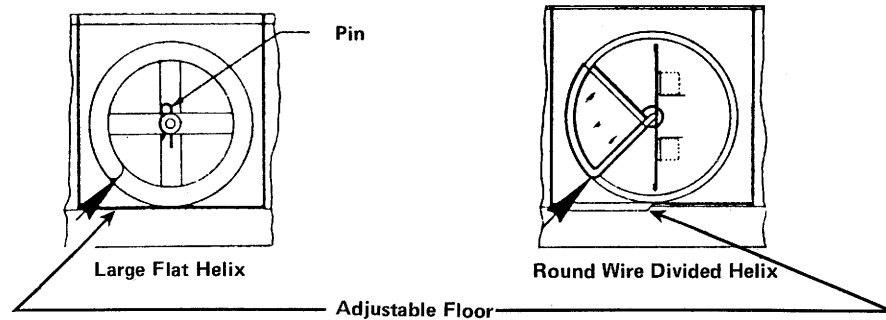
After installing a new motor the Helix must be timed. Make sure the motor is in its home or detent position.

Large Flat Helix:

To remove, pull out pin at back of Helix. Replace Helix on motor shaft, with end of Helix positioned as shown by the arrow. Align hole in Helix hub with motor shaft and replace pin.

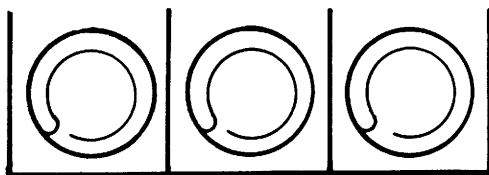
Round Wire Divided Helix:

No timing is needed.



PRODUCT LOADING:

Model 15 and 18 Selection

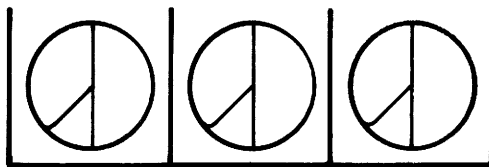


Flat Wire Helix Tray

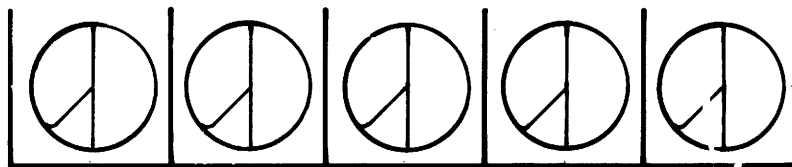
Model 25 and 30 Selection



Flat Wire Helix Tray



Round Wire Helix Tray



Round Wire Helix Tray

Lift front of drawer upward and pull forward to stops.

Load all products upright, front to back, with the identification forward.

The Flat Wire Helix loads with the products resting on the bottom coil of the Helix.

The Wire Helix loads with the products resting on the floor between the Helix.

After loading, check to see that the adjustable floor (See Helix Timing) is properly adjusted. Adjust by moving floor in or out to secure the front product will not slip out of the Helix.

Finally, test vend each selection to insure the first slot in each selection is filled.

Make sure the products fit easily into the Helix spacings.

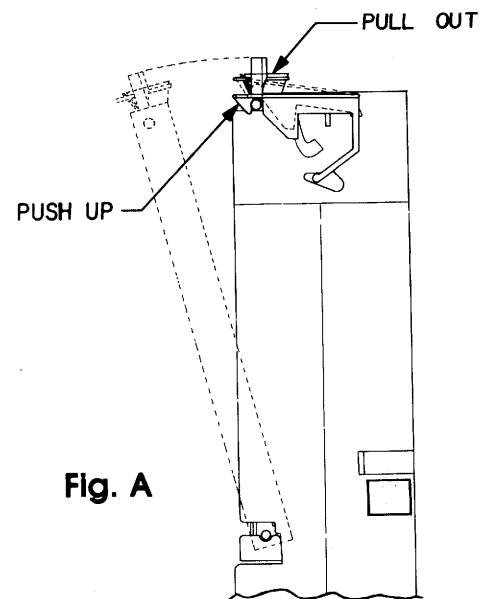
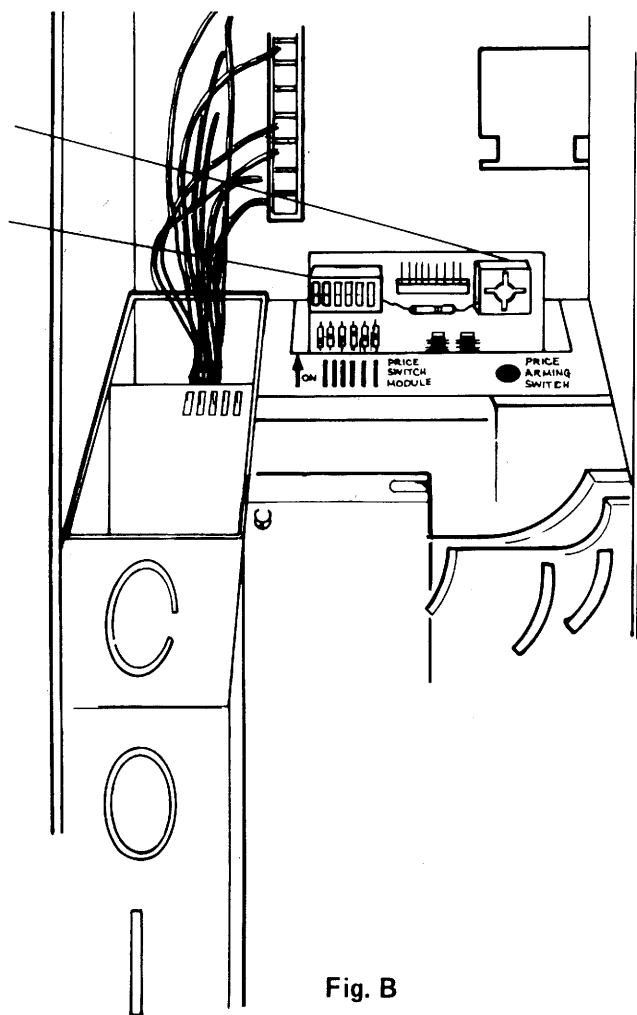
GUM AND MINT TRAY

Unlatch Tray by pushing up on the rod in the middle of the Tray. Pull Tray forward until it stops and lift up on the lid. The Product Pusher will stay back in the Vendor. The product is placed with the long edge in line with the front of the Tray. The product identification should be either on the front and/or top of the product when looking from the front of the Vendor.

PRICE-SETTING INSTRUCTIONS:

COINAGE TYPE: Coinco 5¢ – \$3.15 Four-Price Changer.

1. With power on, remove the Acceptor (see Fig. A); and place in an area free of dirt.
2. The Price Switch Module has six miniature rocker switches, numbered (1) through (6) make sure they are all in the off position. These switches correspond to prices as follows-
1=5¢, 2=10¢, 3=20¢, 4=40¢, 5=80¢, & 6=\$1.60.
Set the Vend Price by adding the value of the rocker switches that are in the on position. For example, switches #1 and #3 are on, that equals 25¢.
3. After setting the desired Vend Price on the Price Switch Module momentarily depress the Price Arming Switch, then within 10 seconds press one of the selection buttons on the front of the machine, or turn the Helix itself.

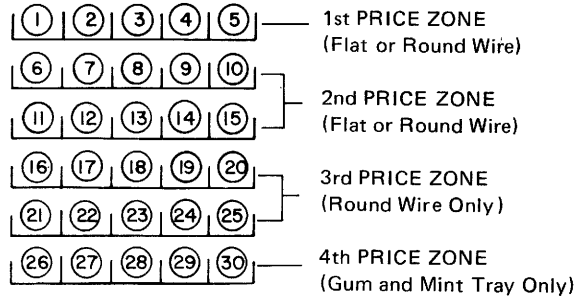


The price is now set for all selections on that Price Zone to the preset price on the Price Switch Module. Repeat this step for all (4) Price Zones during initial installation. For the Price Zone(s) that need changing after initial installation, repeat this step. The Price Zones are shown on page 7 for the various number of selections. All selections on a tray are in the same price zone.

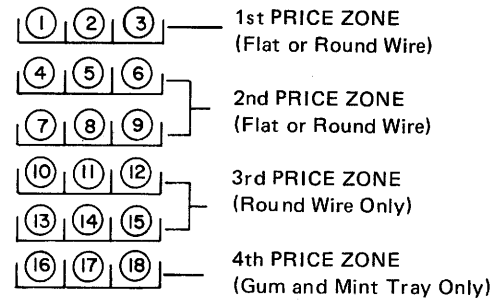
Price Zones For Four Price Coinage System:

The vend price must be selected in the Coin Mechanism, and that procedure is explained on Page 6.

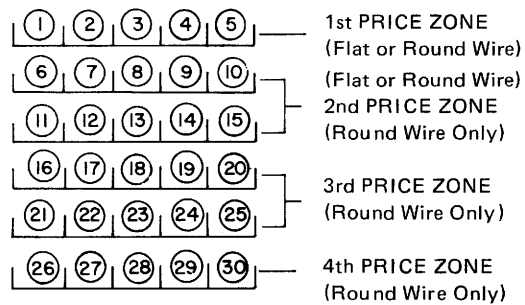
25 SELECTION with 5 SELECTION GUM and MINT



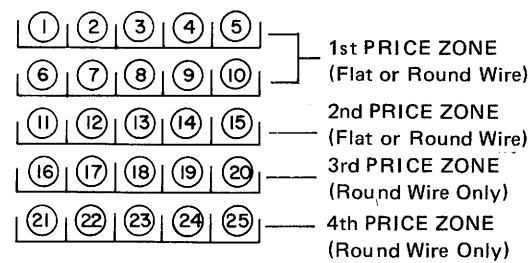
15 SELECTION with 3 SELECTION GUM and MINT



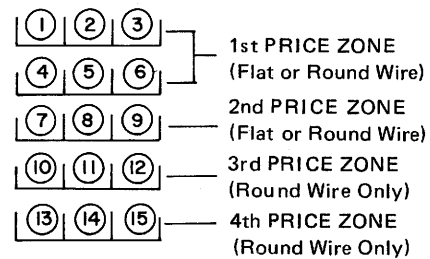
30 SELECTION



25 SELECTION



15 SELECTION

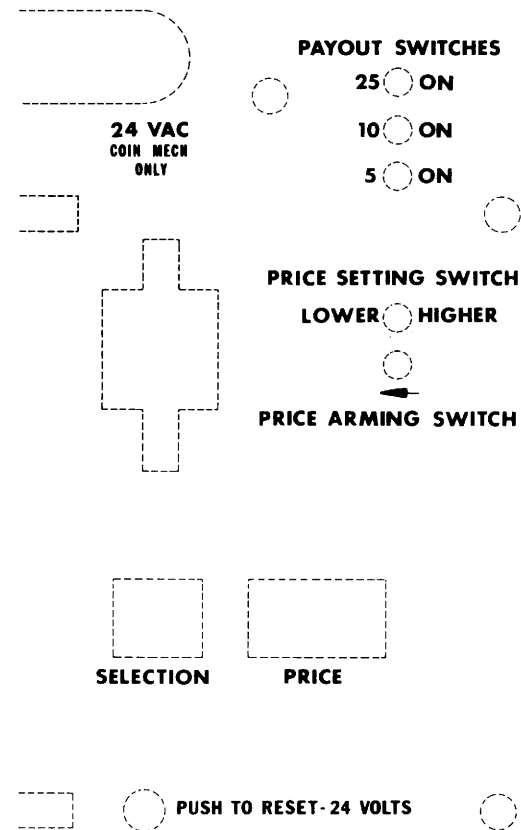


MULTI-PRICE COINAGE SYSTEM \$3.15:

Important

The Multi-Price Coinage System is able to be set for a maximum of thirty different vend prices. The Vend Prices are set at the Control Board instead of at the Coin Mechanism.

1. Actuate Price Arming Switch.
(.05 will appear in the Price Display.)
2. Move Price Setting Switch, higher (right) or lower (left), to the desired vend price. This price will be shown in Price Display.
3. After determining which selections are to be set at this price, turn the corresponding Helix until it runs automatically. An alternate method of Price Setting is to push the desired Selection Button at this time. The Helix will not turn.
4. While the Helix is turning or the Selection Button is depressed, the Display will show the Selection Number and the new vend price.
5. Repeat steps one, two, and three until all selections are properly set.
6. Actuating the Price Arming Switch again will put the Vendor back into the Stand-By Mode.



Note: If the Vendor is left in the Price Changing Mode, the Control Unit will automatically switch back to the Stand-By Mode 30 seconds after the last operation.

Warning

Turning a Helix or depressing a Selection Button before being removed from the Pricing Changing Mode will result in changing that selection to the last vend price set.

7. After Vendor is switched or has "Timed Out" to the Stand-By Mode, check all selections by turning the Helix or depressing the Selector Button. The selection and price will be displayed.

Note: Interruption of Power will not affect vend prices. Prices will be stored indefinitely without power or battery back up.

MULTI-PRICE II COINAGE SYSTEM \$3.15:

On initial installation make sure the following steps have been covered:

1. Product loaded properly.
2. Pricing labels installed on drawers.
3. All selections priced to agree with labels and products.

All selections can be individually priced at a different vend price.

I. To Set or Change Price:

When in the Price Changing Mode, the number 88 will appear in the display in place of the item number. While in the Price Changing Mode, the Selector Buttons have a second function which is shown in Figure 2.

- A. Push Price Arming Switch on the Control Panel to the left, (See Figure 1.) and close door. The number 88 will appear in display on the front of the door.
- B. Determine item(s) to be priced or changed.
- C. To raise vend price, press Selector Button #4 and hold until desired vend price appears in display.
- D. To lower vend price, press Selector Button #5 and hold until desired vend price is reached.
- E. When desired vend price is reached, wait until the number 88 disappears from the display. Then press the Selector Button(s) needing the new vend price.
- F. To continue with price changing the number 88 must reappear.

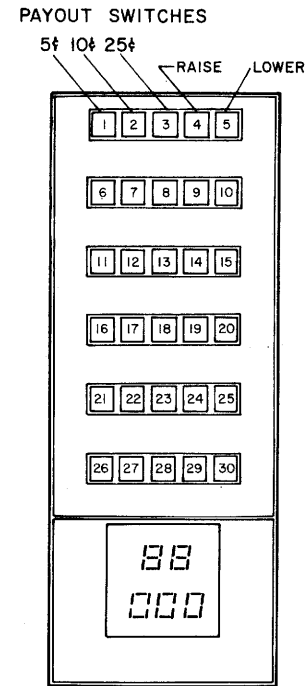
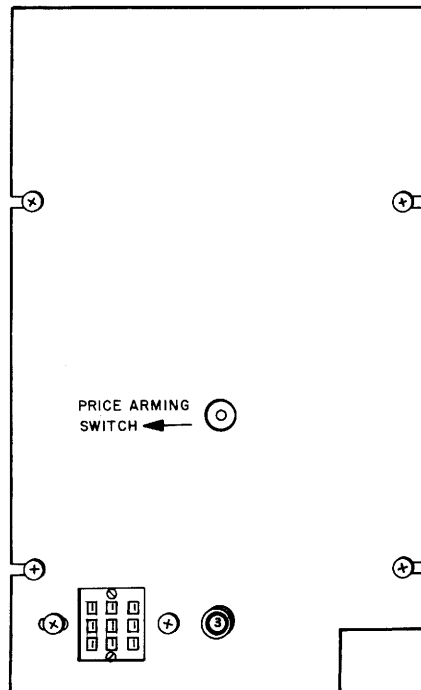


FIG. 2



Note: It is not necessary to establish vend price(s) in numerical sequence of the selections. Price(s) may be established at random.

Warning

To return to the Vend Mode, push the Price Arming Switch to the left. The Vendor will automatically return to the Vend Mode approximately 70 seconds after the last price has been changed or corrected.

RETURN VENDOR TO VEND MODE BEFORE LEAVING THE MACHINE

II. To Check Vend Price of Any Selection:

- A. Press Selector Button and hold. Present vend price will appear in the display window, along with the item number selected.

FIG. 1

MICRO-MECH™ INSTALLATION and OPERATION GUIDE:

Note: When Using A Micro-Mech™, the Price Setting and Inventory Switches are controlled through the Control Board. (See Page 8 or 9.)

1. Depress Spring Clips (2) located on both sides of the Acceptor Assembly (see Fig. 1). Now rotate Acceptor Assembly forward and down. In doing so, the Coin Control Switches on the back of the Acceptor Assembly are revealed.
2. The Acceptor Assembly can be removed. To remove, rotate Acceptor Assembly forward enough to allow the Acceptor Assembly to be lifted to the top of the lower Retaining Slots, and then pull the Acceptor Assembly forward until it clears the Coin Mechanism itself.

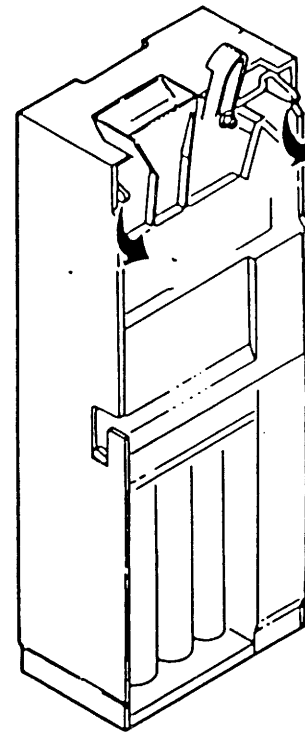
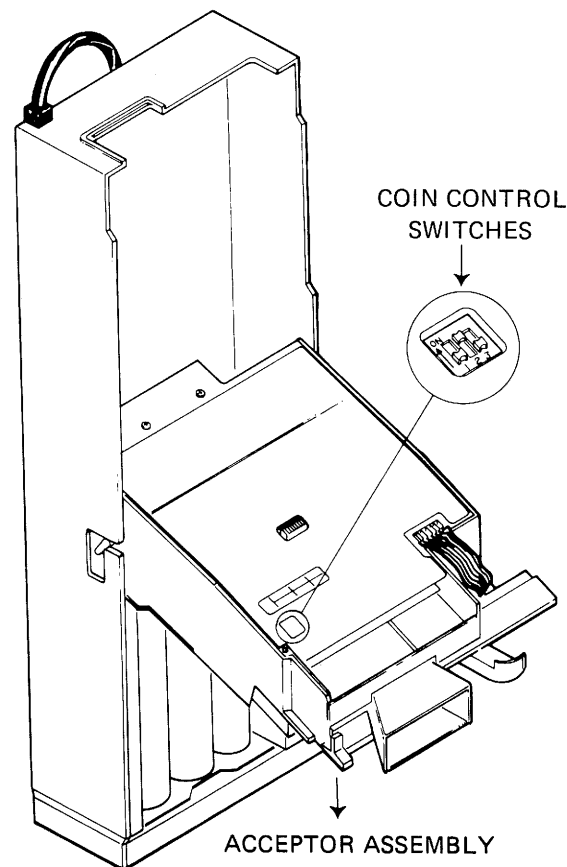


FIG. 1



3. Set the Coin Control Switches on Acceptor using a retracted ball point pen or small screwdriver. **DO NOT USE A GRAPHITE PENCIL POINT.**

ON ↑	CAN/US	HI 25¢	NO \$ ACPT
OFF ↓	U.S. ONLY	LO 25¢	\$ ACPT

CAN/US — Accepts Canadian & U.S. Coins

U.S. ONLY — Accepts U. S. Coins Only

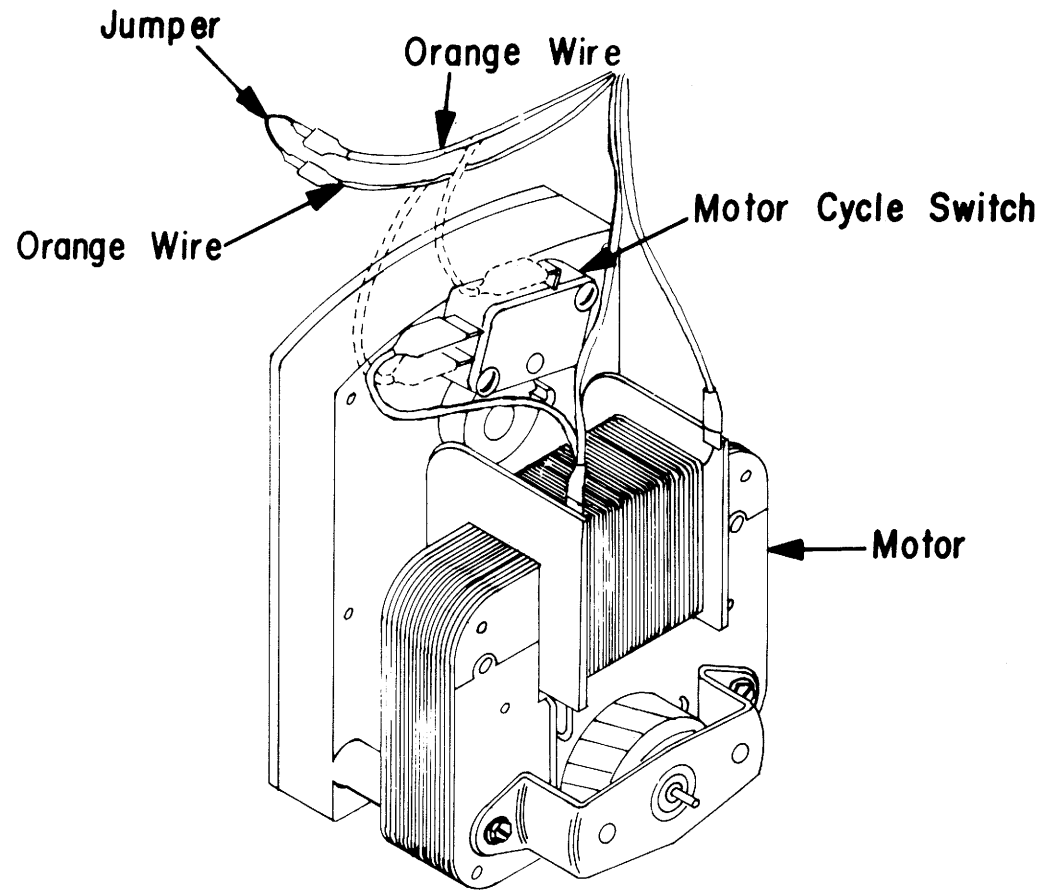
HI 25¢ — Stores 66 Quarters for Change

LO 25¢ — Stores 6 Quarters for Change

NO \$ ACPT — Rejects Dollar Coins

\$ ACPT — Accepts Dollar Coin

4. Install Acceptor Assembly in Coin Changer Housing. Check to insure that the ACCEPTOR IS PROPERLY SEATED WITH BOTH SPRING CLIPS ENGAGED.
5. Fill coin tubes to desired levels by inserting coins into coin tube loading slots located on the front of the coin tubes. Minimum coin levels:
 6 Nickles
 7 Dimes
 6 Quarters (required for dollar acceptance)



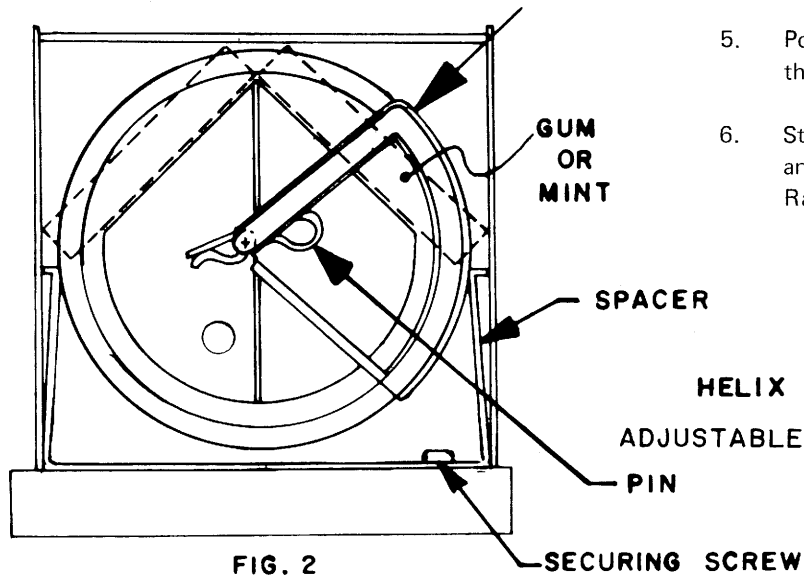
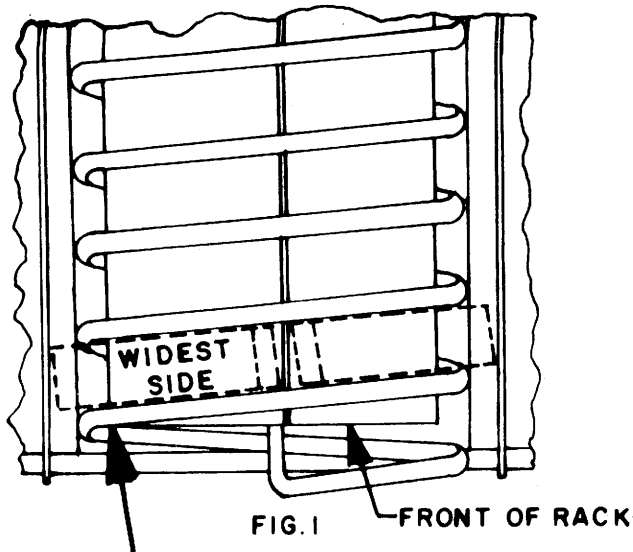
MOTOR JUMPER:

Any motor may be disconnected or removed from Vendor. By the use of a motor jumper, the Vendor will continue to work on all selections, except for the selection on which the jumper is used.

To use the Motor Jumper, disconnect the two orange wires from the Motor Cycle Switch and connect one to each side of the Motor Jumper. Remove white/orange wire from Motor Coil and wrap with electrical tape. If removing motor completely, make sure to tape the ends of the remaining wires so they will not short to the cabinet. When reconnecting orange wires to the Switch, be sure to put them in the proper places as shown on Motor decal.

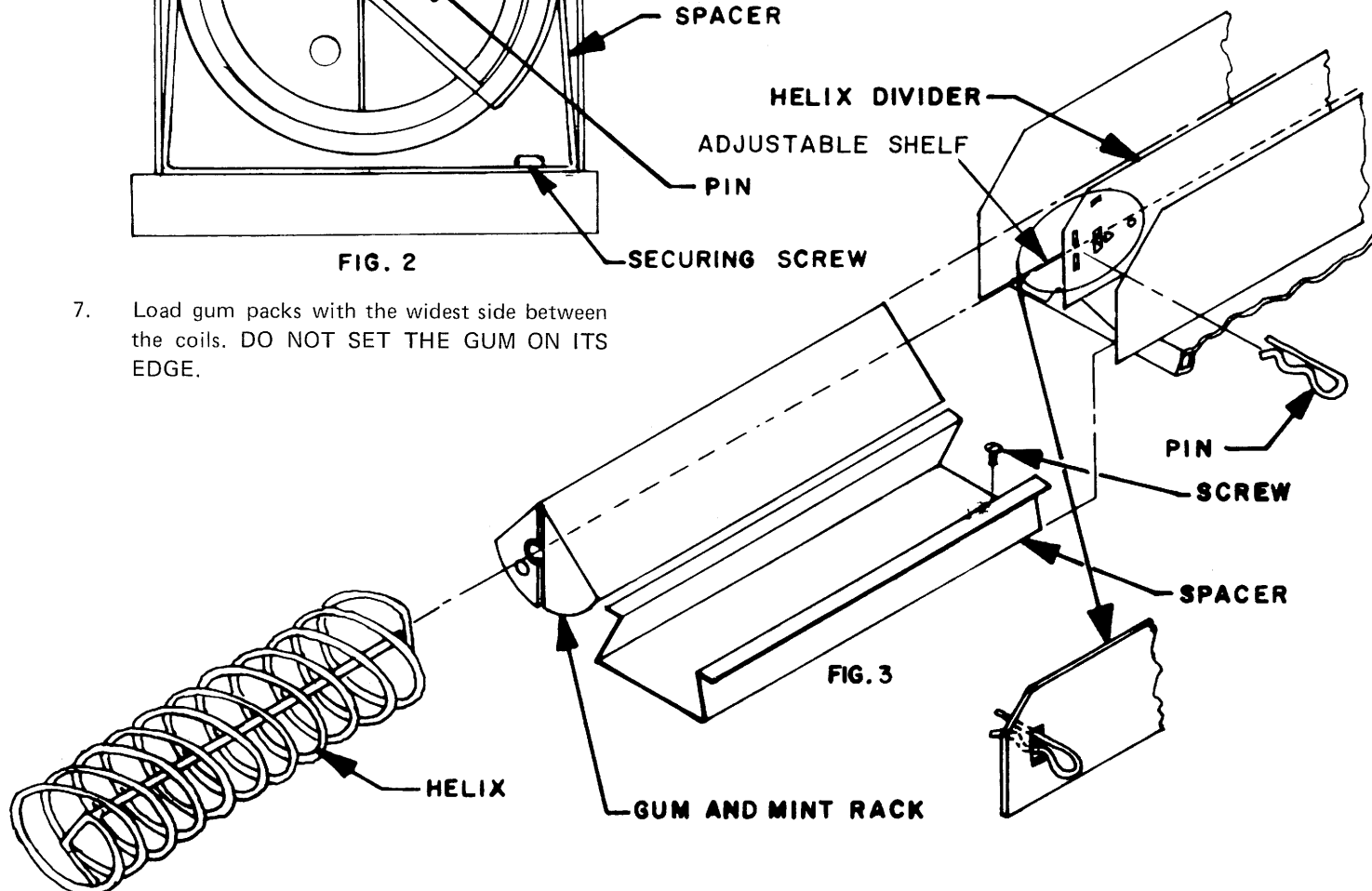
A Tray Jumper Plug may be used when removing an entire Tray. Plug the Jumper Plug into the end of the cable coming from the side panel. This will allow the Vendor to remain in operation.

INSTALLATION of GUM & MINT RACK:



7. Load gum packs with the widest side between the coils. DO NOT SET THE GUM ON ITS EDGE.

1. Remove Helix by pulling outward at center of the Shaft.
2. Remove the screw at the back of Adjustable Shelf. Remove Adjustable Shelf (with rubber grommet attached) and discard, retaining the screw. Slide Spacer into position. Align hole at back and reinstall the screw.
3. Slide the Gum and Mint Rack onto the Helix Divider and hold it in place by installing the Pin through the hole in the Divider, as shown in Fig. 3.
4. Install Helix through the hole in the Gum and Mint Rack and into "D" slot in the Motor.
5. Position the front of the Helix, as shown by the arrow in Fig. 2.
6. Stretch or compress the front coil on the Helix and align with the front of the Gum and Mint Rack, as shown by the arrow in Fig. 1.



NARROW CANDY BAR SPACER INSTALLATION:

1. Remove the Round Wire Helix by pulling straight outward.
2. Remove one Motor Mounting Screw. Insert one of the Product Spacers and attach by putting screw in slot when replacing screw. (See Fig. 1)
3. Now repeat step #2 for the opposite side. (See Fig. 1)
4. Twist the two front tabs to secure the front of the Product Spacer. (See Fig. 2)
5. Re-insert the Round Wire Helix by pushing straight inward, making sure that the Helix lines up with the "D" hole in the Motor.
6. Load the selection and test vend.

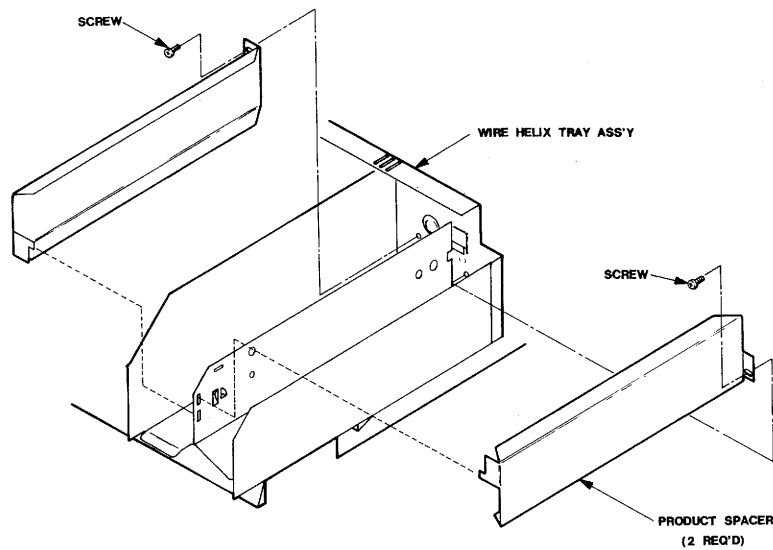


FIG. 1

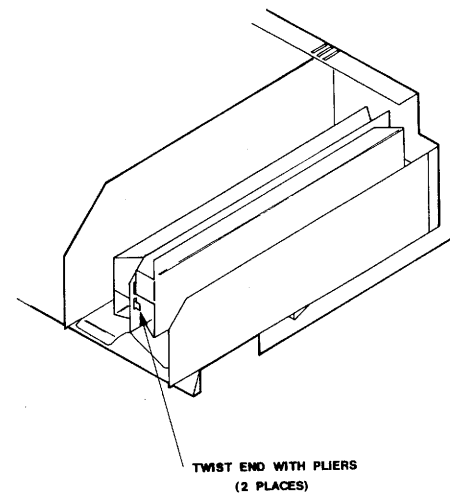
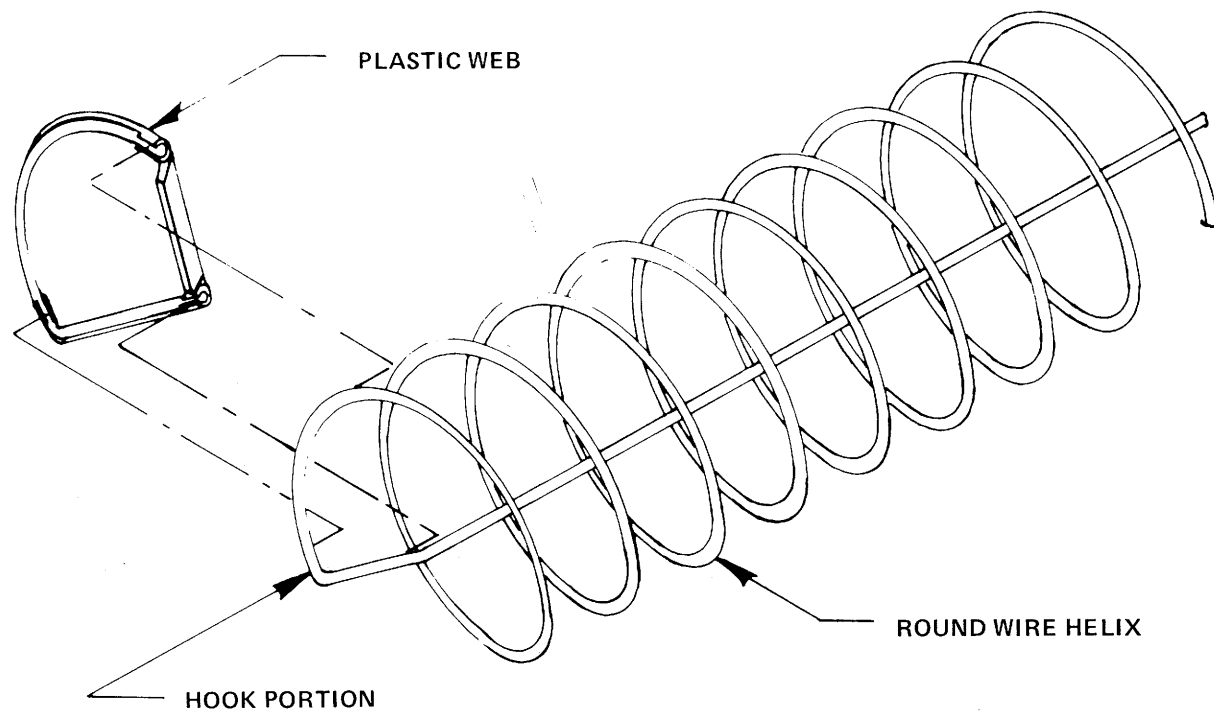


FIG. 2

INSTRUCTIONS FOR MOUNTING PLASTIC WEB:

Note: The Plastic Web should be used only if you have trouble with the product catching in the hook portion of the Round Wire Helix.

To mount the Plastic Web, just snap it in place as shown in the illustration.



CARE and CLEANING:

DISCONNECT VENDOR FROM POWER SOURCE

- Cabinet Exterior: Wash with warm water and soap.
Occasionally wax with a good auto wax.
- Cabinet Interior: Clear out any foreign particles from delivery box on cabinet. If needed, use a damp sponge and wipe dry.
- Windows: Use any type of plastic window cleaner.
-

ACCEPTOR:

1. Remove Slug Rejector from the Coin Mechanism.
 2. Soak Rejector in warm water and a mild liquid household detergent for approximately ten (10) minutes.
 3. Use a stiff paint brush or toothbrush to clean foreign matter from the Rejector.
 4. Rinse in clean warm water.
 5. Dry thoroughly by shaking or by applying filtered compressed air.
-

ACCEPTOR: (Micro-Mech™)

Coin Ramp and the back of the Acceptor Lid should be kept clean at all times. Use a damp cloth only. For problem cleaning, use a cloth dampened with water and a mild soap.

Warning

DO NOT USE SOLVENTS, STEEL WOOL, SCOURING PADS OR A METAL BRISTLE BRUSH. DO NOT SPRAY WITH ANY TYPE OF LUBRICANT.

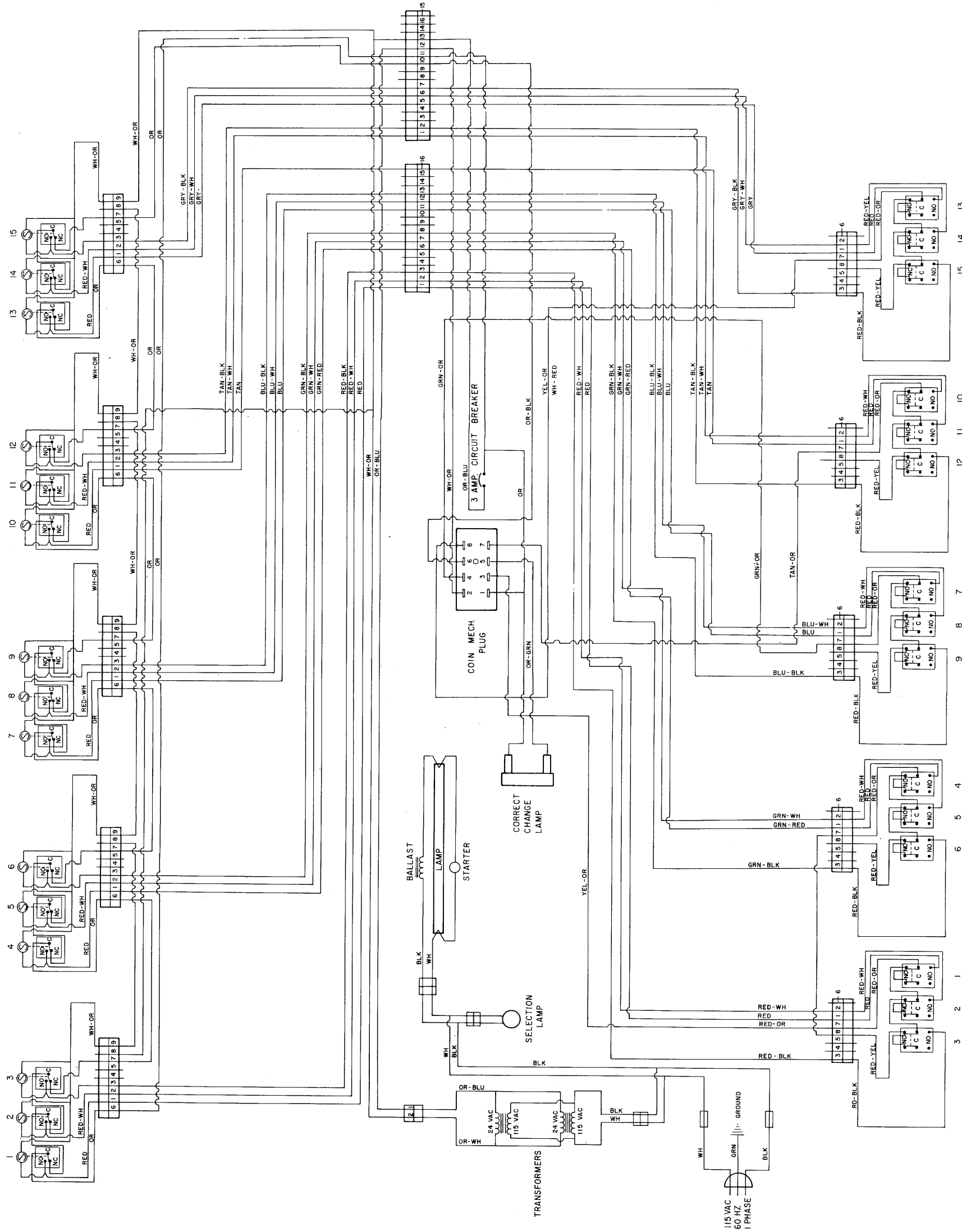
TROUBLE SHOOTING:

- I. Vendor refuses all coins.
 - A. Lights for product or selector are out.
 - 1) Check power cord to see if it is plugged in.
 - 2) Check fuse or circuit breaker in building for power.
 - 3) Check black or white wire from line cord to transformer.
 - B. Lights are on, but C.R.E.M. coils are not pulled in.
 - 1) Check circuit breakers on relay panel.
 - 2) Check for power to Changer. Operate Inventory Switches; Payout Motor should run.
 - 3) Check all Tray Plugs and Receptacles for proper connection.
 - a) Turn each Motor clockwise by hand, starting with #1. They should run by themselves after a slight turn.
 - b) When you find the first Motor that does not run, you have found the break in the series circuit. It is between the last Motor that ran and the first Motor that did not.
 - c) If you center the first Motor that did not run in its detent and the C.R.E.M. Coils push in, the motor is defective or a wire is off of the Coil of the Motor.
 - d) If you center the Motor that did not run and the C.R.E.M. Coils do not pull in, there may be a wire off of the Cycle Switch or the Switch is defective.
 - e) Also check the Plugs on the Trays of both Motors if the last one to run was the last Motor in a tray and the first Motor that did not run is the first Motor in the next Tray.
 - 5) Check to make sure Gum and Mint Drawer is securely closed to activate Drawer Switch.
 - 6) Check to make sure the Switch on the Gum and Mint Drawer is working.
 - 7) Check to make sure the Gum and Mint Adaptor Harness is properly and securely connected.
 - C. Lights are on and the C.R.E.M.s are pulled in.
 - 1) Check rejector.
 - a) Check Coin Paths for foreign material. Coin Paths must be clean.
 - b) Check rejector on level surface and drop coins in to find the problem.
 - 2) Check to see that the blocking fingers do not protrude into Coin Paths. (Coinco Changer only.)
 - 3) Check to see that the Vendor is level.
- II. Coin Mechanism accepts dimes and nickles, but no quarters and correct change light is on.
 - A. Check to see if the Pay Out Tubes have enough change.
 - B. Check to see if the Change Empty Switch is activated.
- III. Coin Mechanism accepts dimes and nickles, but no quarters and the correct change light is out.
 - A. Check for burned out Change Light and no change.
 - B. Check Rejector for foreign material in quarter rack.
 - C. Quarter C.R.E.M. may be defective.
- IV. Coin Mechanism accepts quarters, but no dimes or nickles.
 - A. Check Rejector for foreign material in dime or nickel track.
 - B. Check for defective Nickel-Dime C.R.E.M. coil.
- V. Vendor vends properly, but pays out wrong or no change.
 - A. Prices are set wrong.
 - B. Product not zoned properly.
 - C. Changer is set to accept quarters all the time, but change tubes are empty.
 - D. Defective Credit System in Coin Mechanism. (Replace unit.)
 - E. Broken Motor Cycle Switch on a previously select Selection Motor.
 - F. A defective Multi-Price Coinage System. (Replace system.)
 - G. Defective Pay Out System in Coin Mechanism. (Replace unit.)

- VI. Vendor accepts money, but will not vend on all selections.
 - A. Prices are set wrong.
 - B. Check plugs behind relay panel and on selector switches.
 - C. Broken or loose white/orange wire from Relay Panel to Motors.
 - D. No credit from Coin Mechanism. (Replace unit.)
 - E. A defective Multi-Price Coinage System. (Replace system.)
- VII. One Tray will not vend; the rest of the machine is normal.
 - A. Check plug on Tray for loose or broken white/orange wire.
 - B. No Price Line from Coin Mechanism. (Coinco Changer only.) (Replace unit.)
 - C. A defective Multi-Price Coinage System. (Replace system.)
- VIII. One selection in Tray does not work; rest of machine is normal.
 - A. Defective motor.
 - B. Loose or broken wire on Motor Coil.
 - C. Loose or broken Selection Wire between Selector Button and Motor.
 - D. Defective Selector Switch.
 - E. A defective Multi-Price Coinage System. (Replace system.)
- IX. Vendor presselects one product when credit is reached.
 - A. Check for stuck Push Buttons.
 - B. Check for shorted Selector Switch.
- X. Vendor free vends on one selection.
 - A. Credit not cancelled because Motor Cycle Switch is not breaking C.R.E.M.s.
- XI. Vendor will not allow vend price to be set.
 - A. Broken Motor Cycle Switch on a Selection Motor.
 - B. Bad Coin Mechanism. (Coinco Changer only.) (Replace unit.)
 - C. A defective Multi-Price Coinage System. (Replace system.)

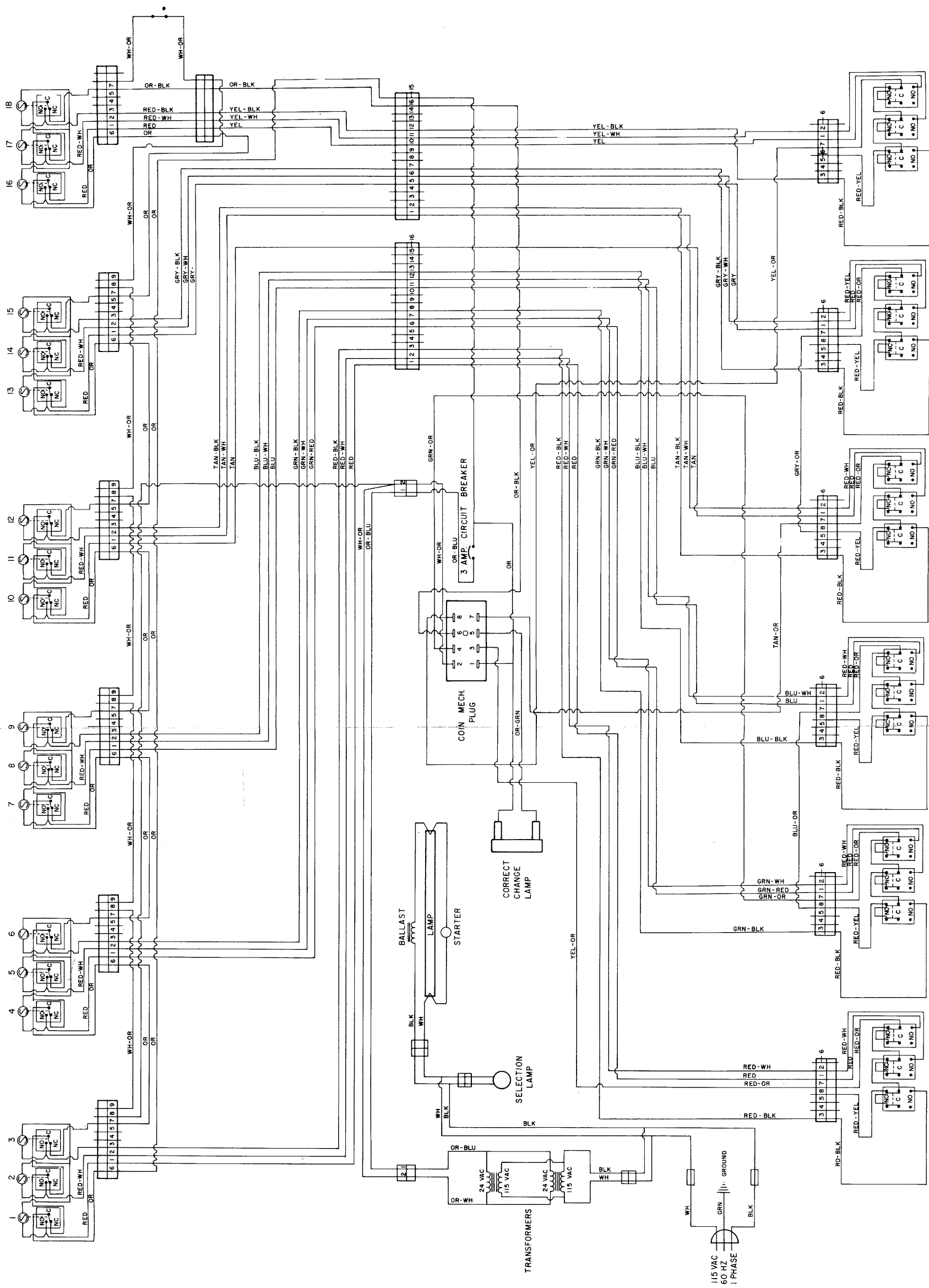
+

SELECTION MOTORS

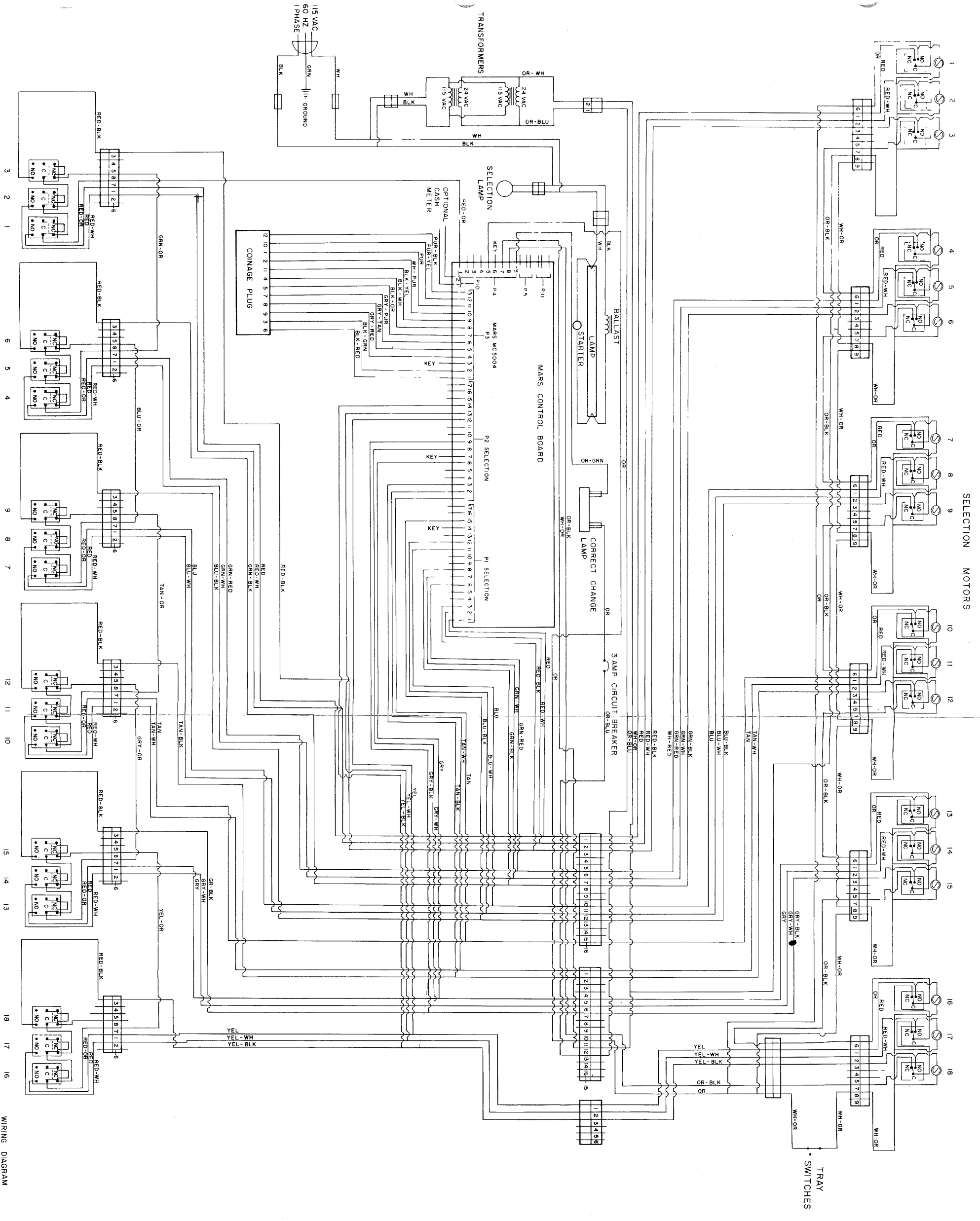


SELECTION SWITCHES

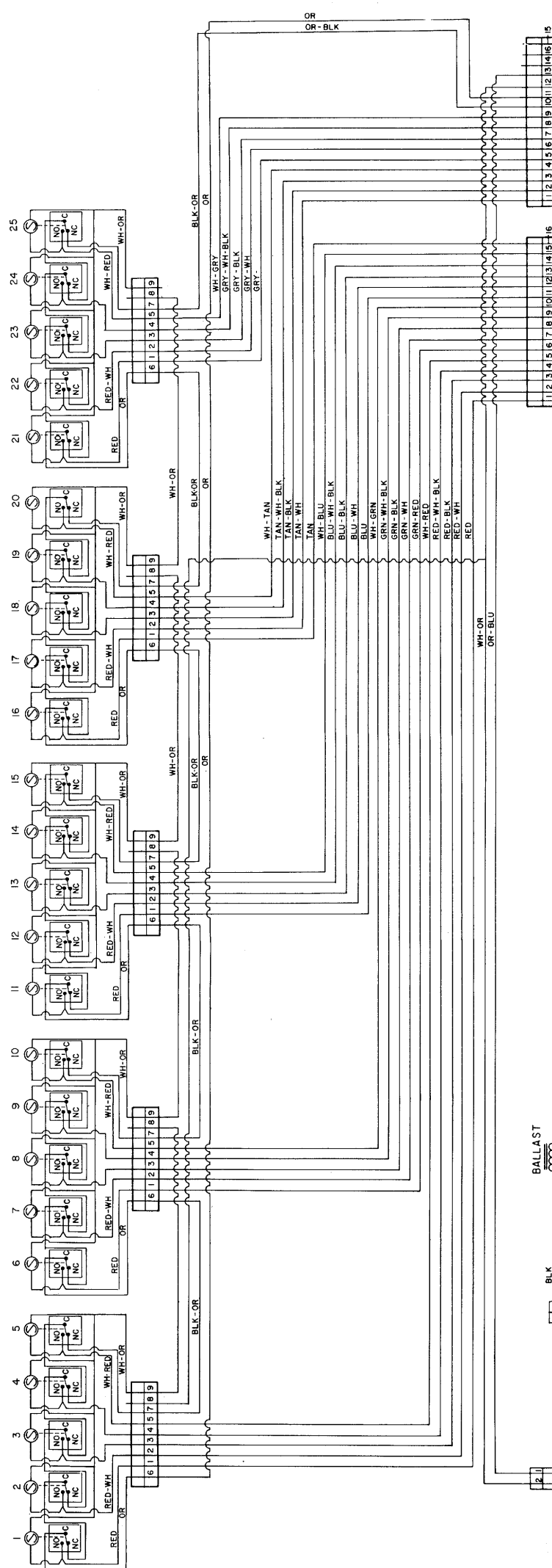
SELECTION MOTORS



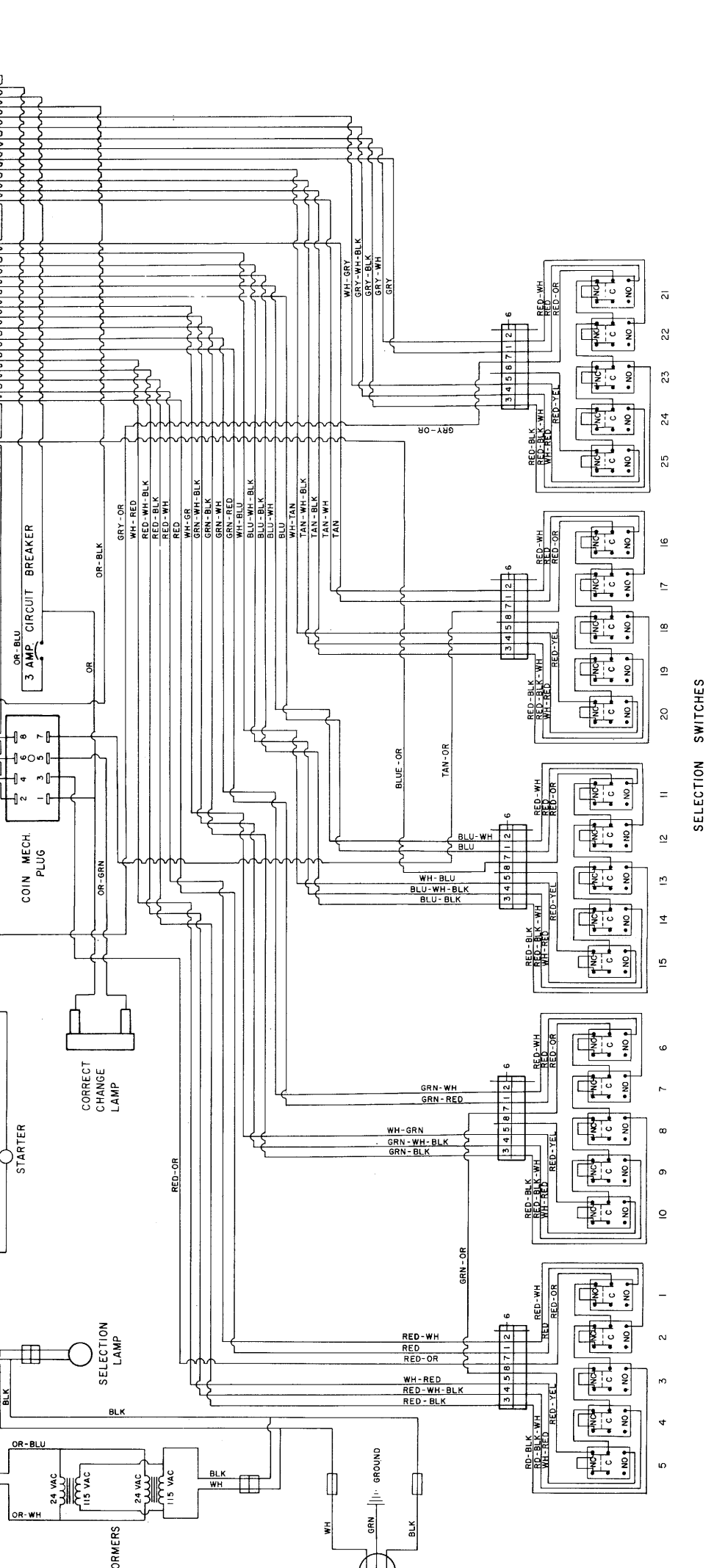
SELECTION SWITCHES



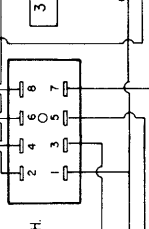
SELECTION MOTORS



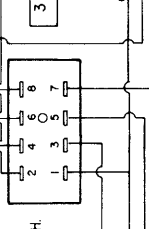
SELECTION SWITCHES



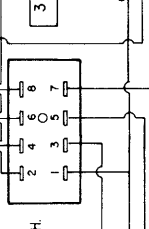
TRANSFORMERS



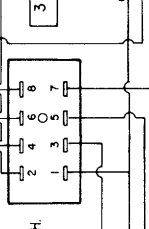
BALLAST LAMP STARTER

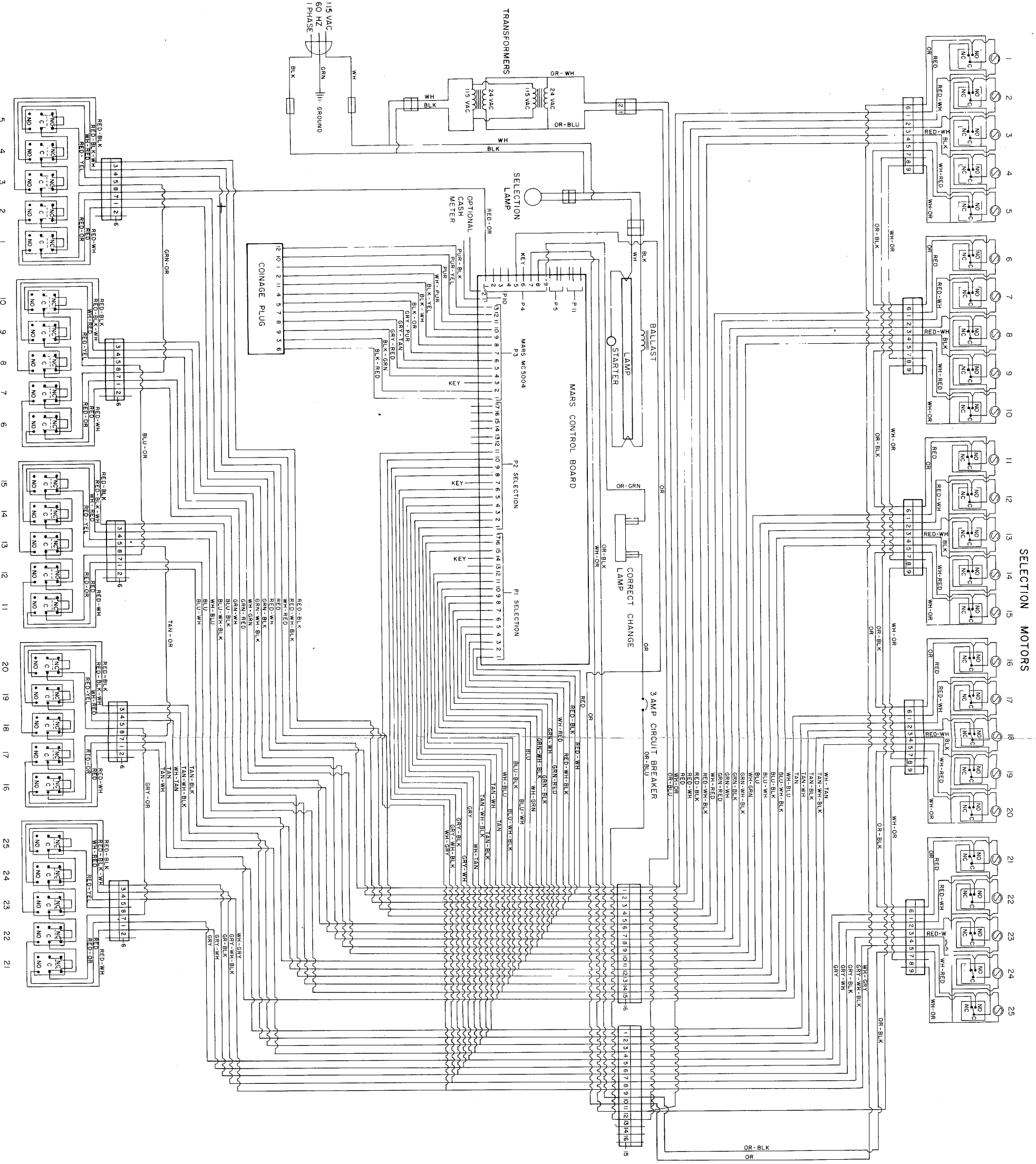


CORRECT CHANGE LAMP

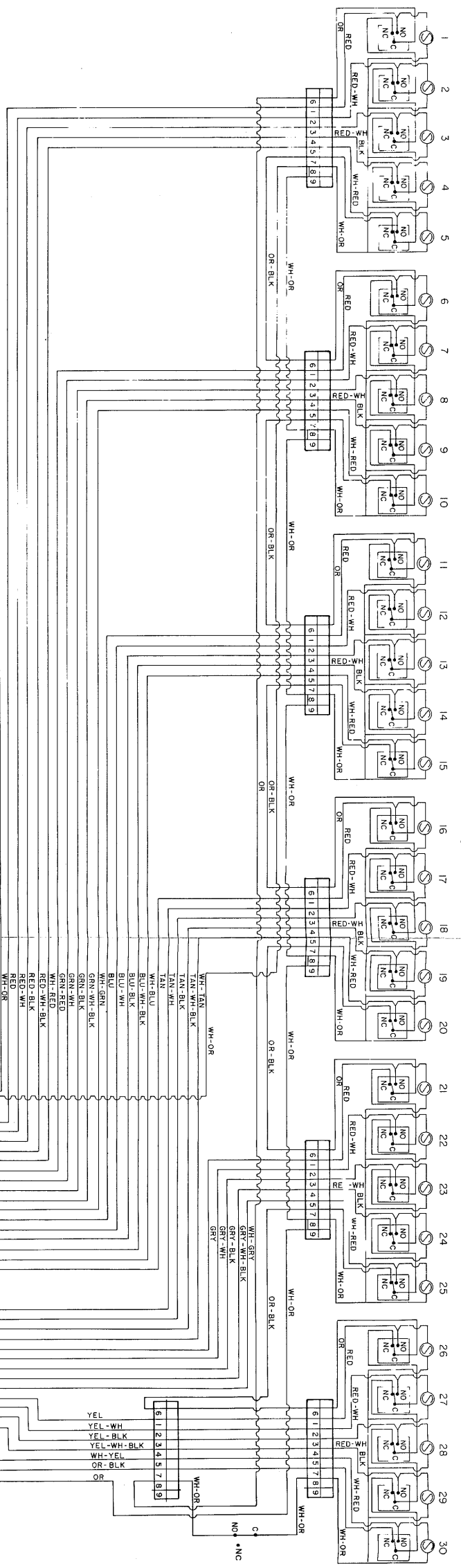


SELECTION LAMP





SELECTION MOTORS



TRAY SWITCHES

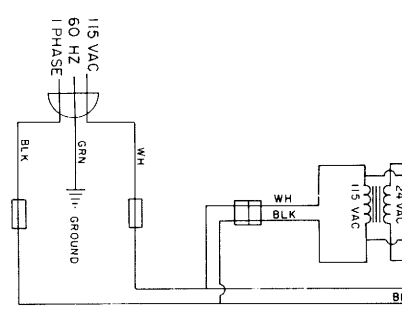
3 AMP CIRCUIT BREAKER

CORRECT CHANGE LAMP

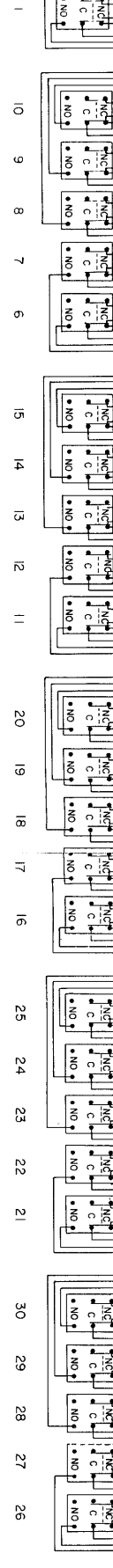
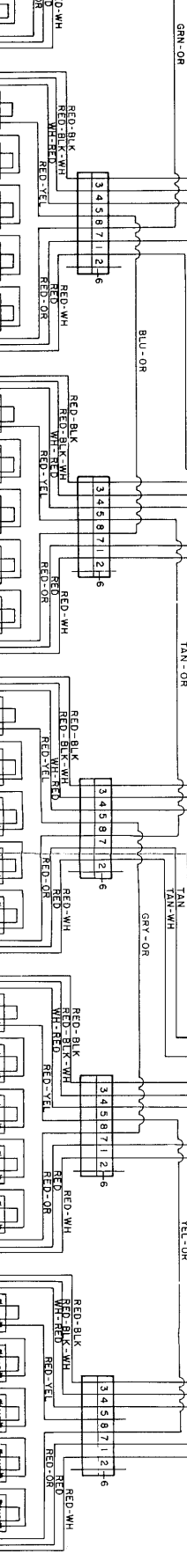
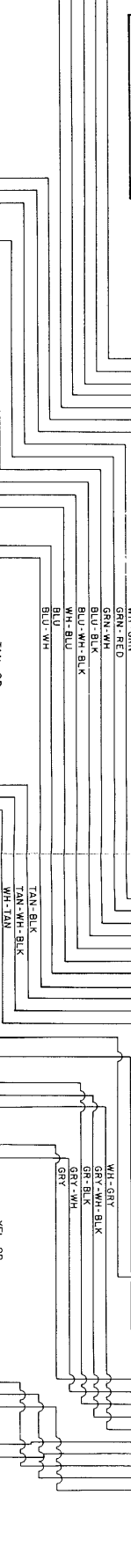
MARS CONTROL BOARD

SELECTION LAMP

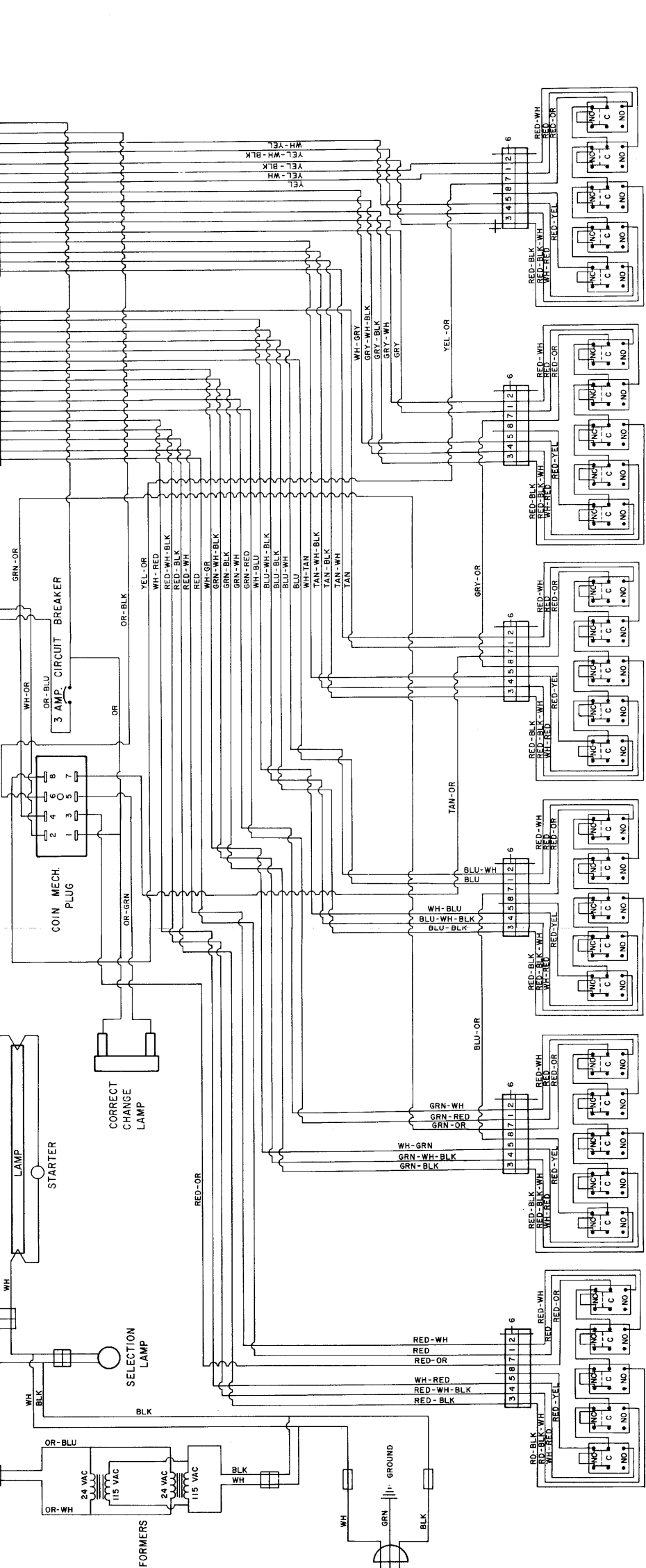
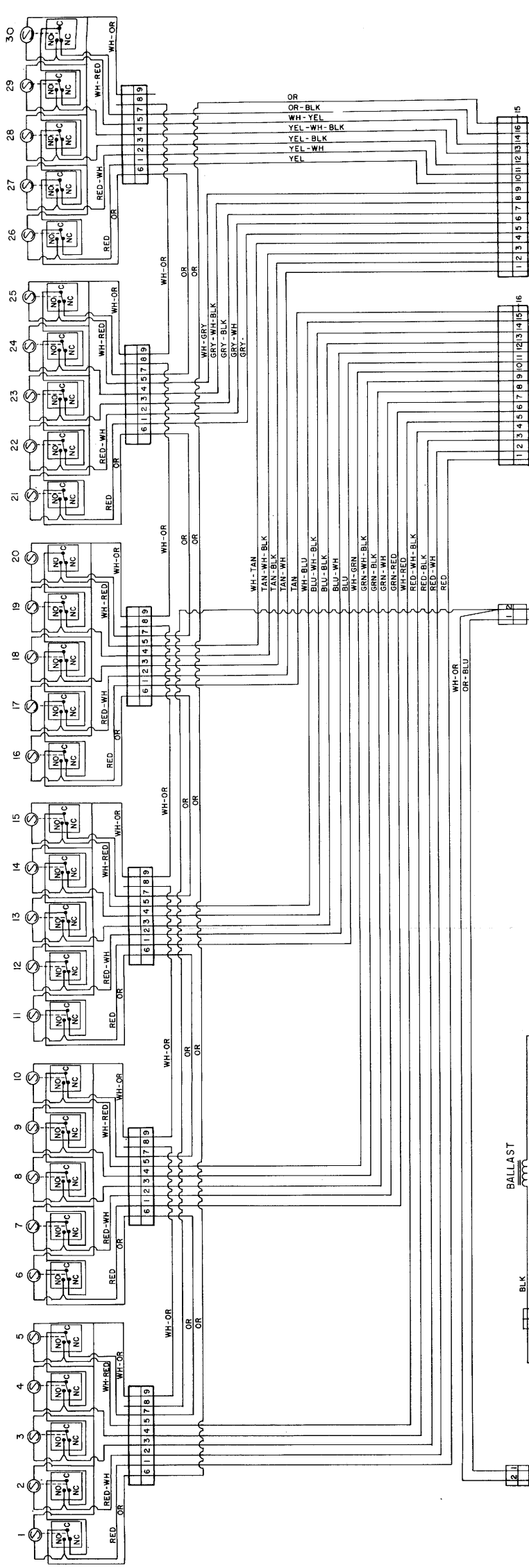
TRANSFORMERS



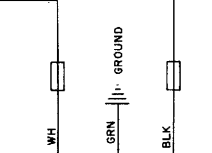
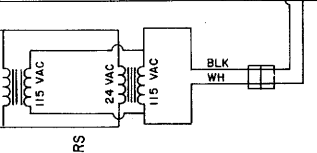
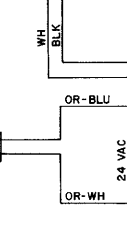
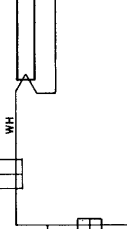
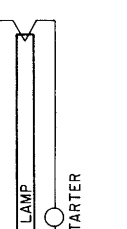
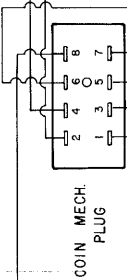
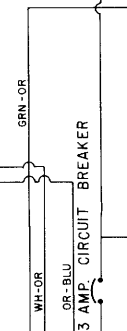
COINAGE PLUG

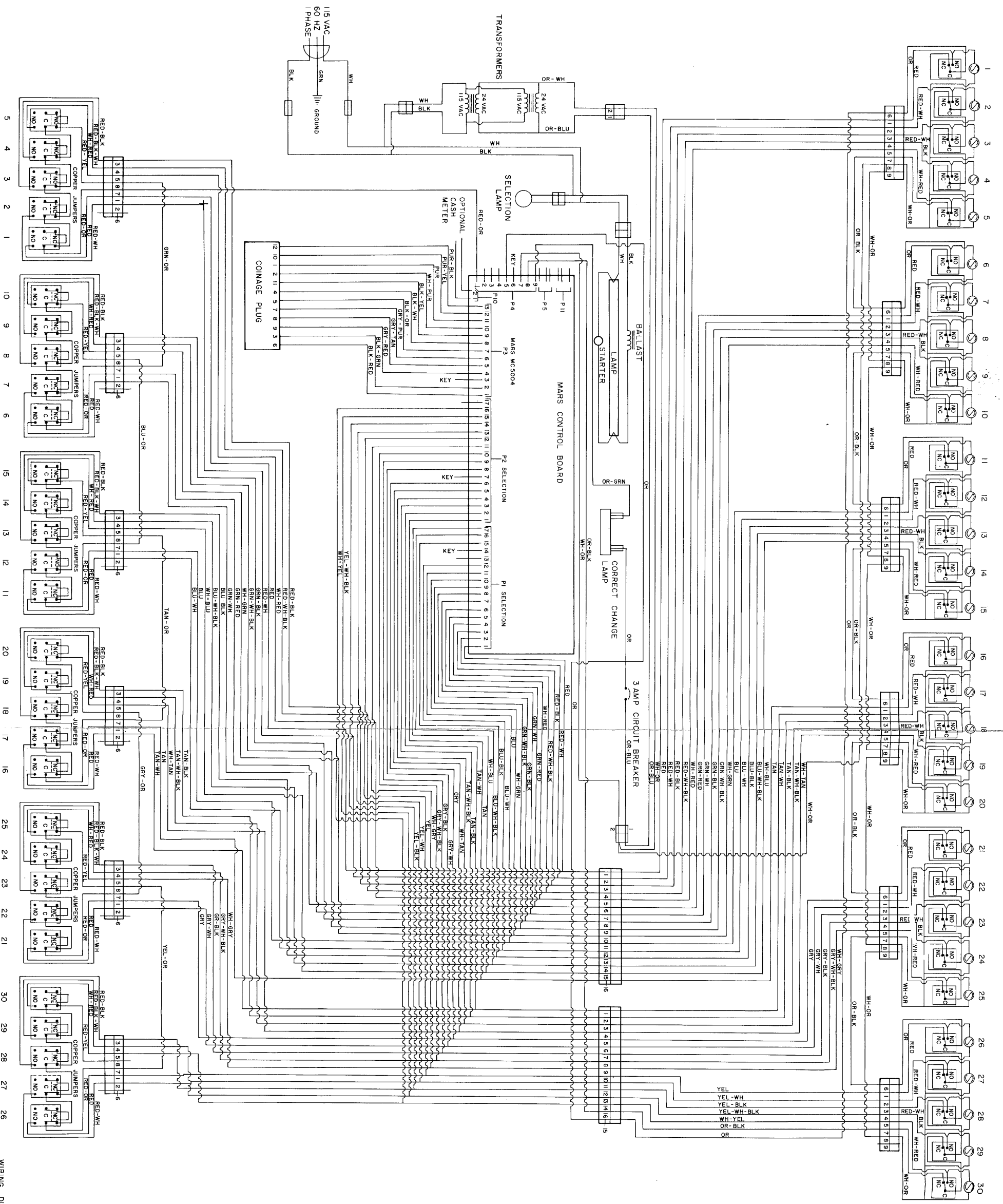


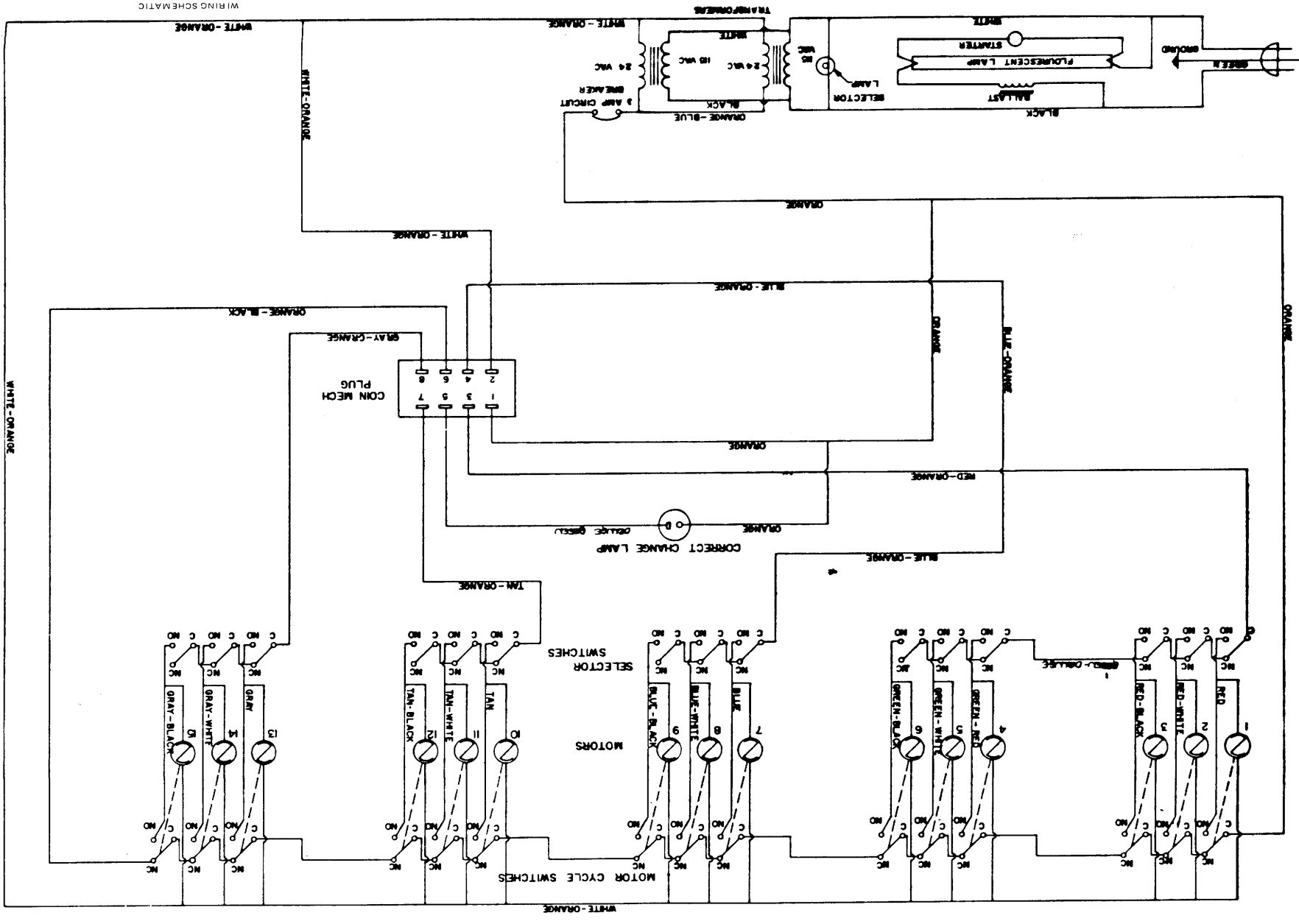
SELECTION MOTORS



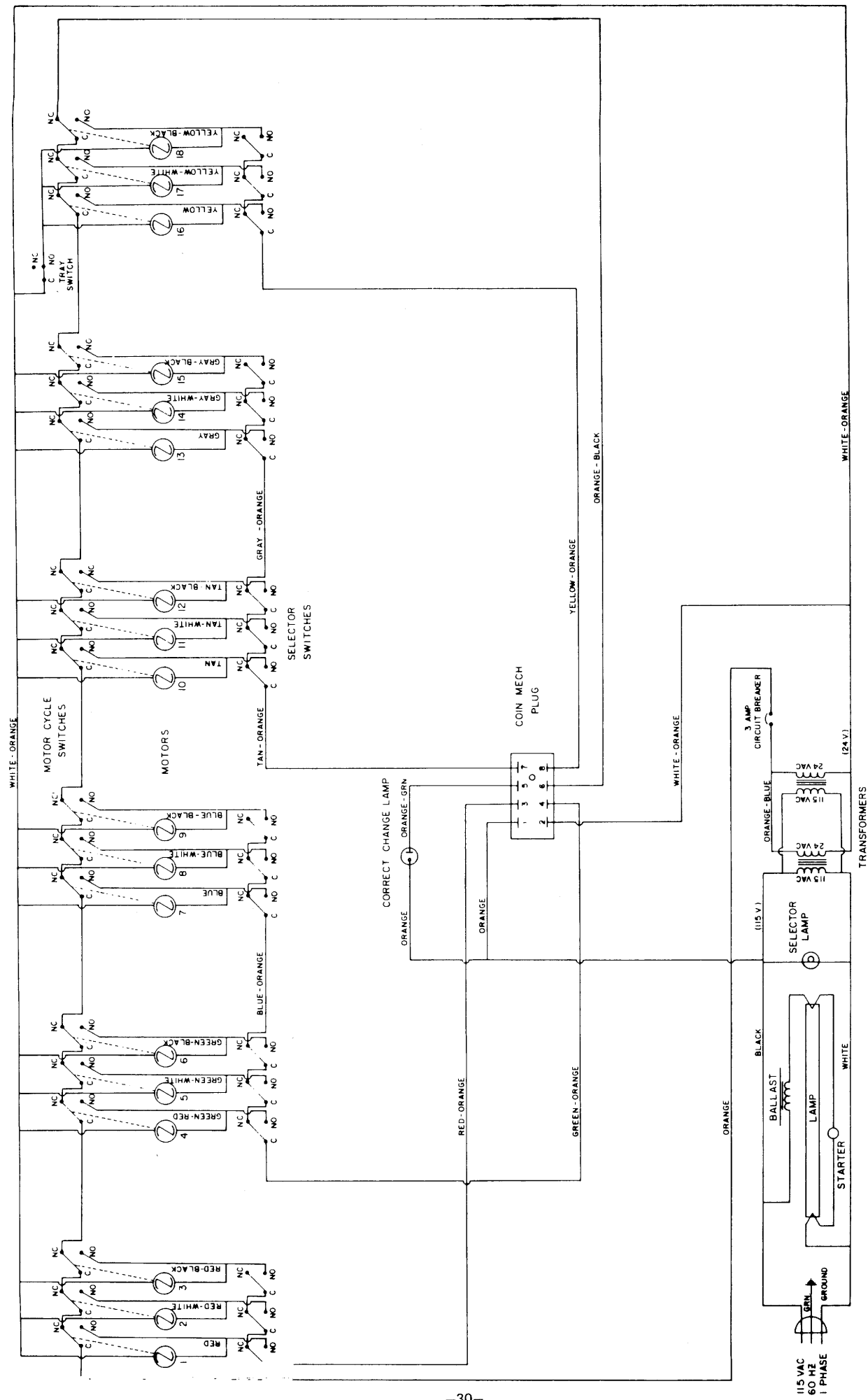
SELECTION SWITCHES





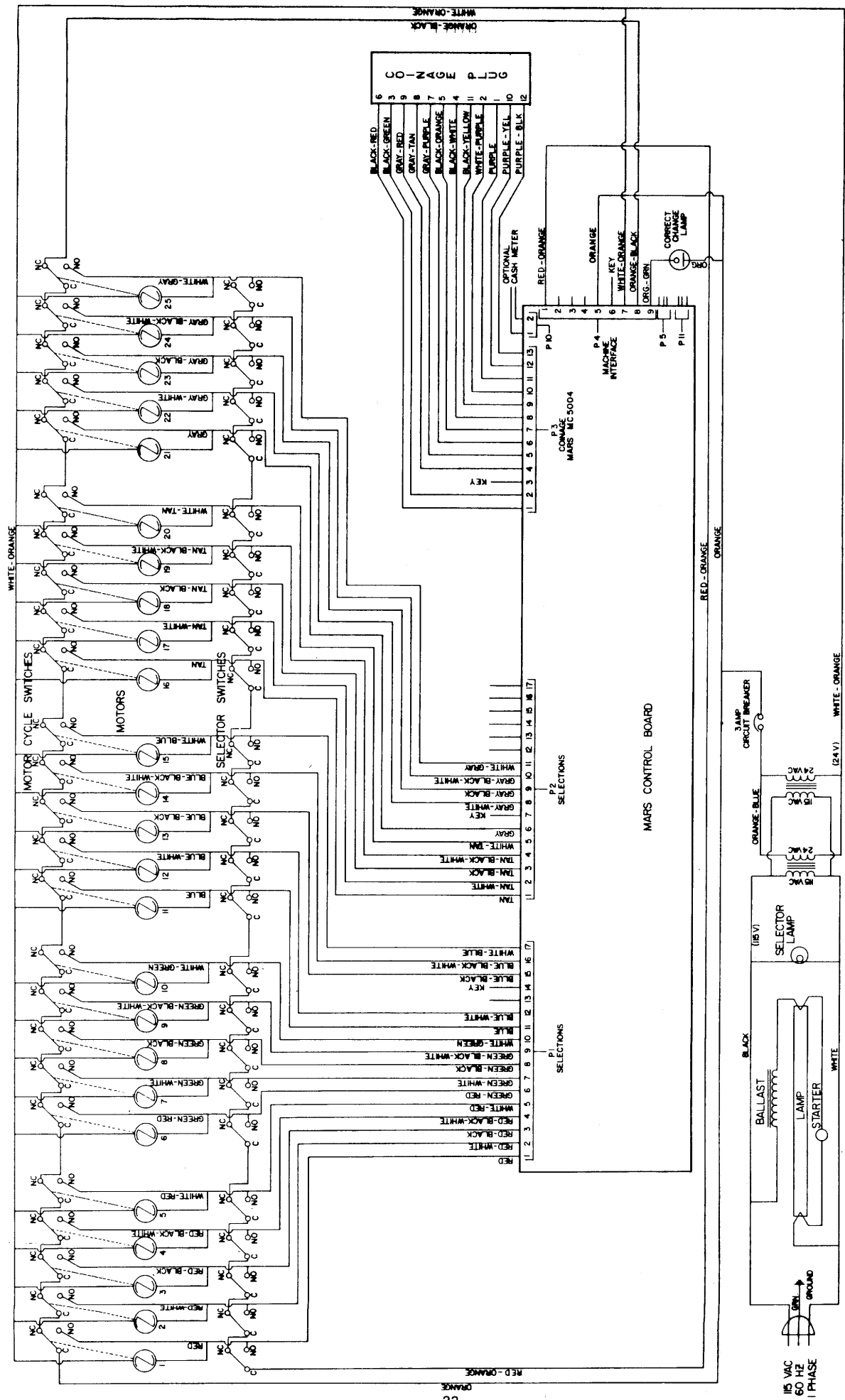


WIRING SCHEMATIC
20757
19 COL.
2001 N
POWER ON



WIRING SCHEMATIC DWG. NO. 20778
 4 PRICE
 1973 COL.

POWER ON

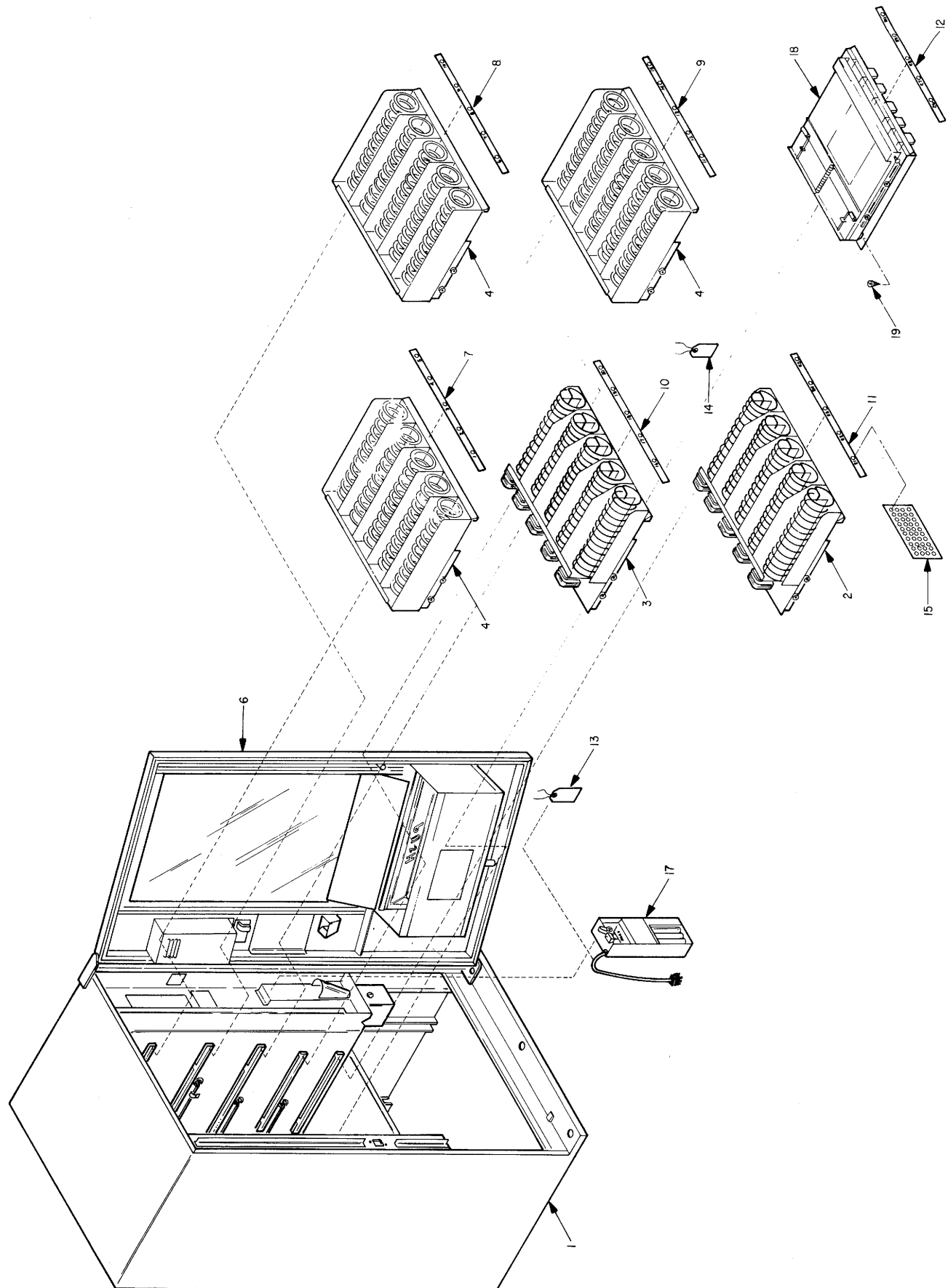


WIRING SCHEMATIC
MARS PACKAGE
25 COL.

DWG. NO. 20762

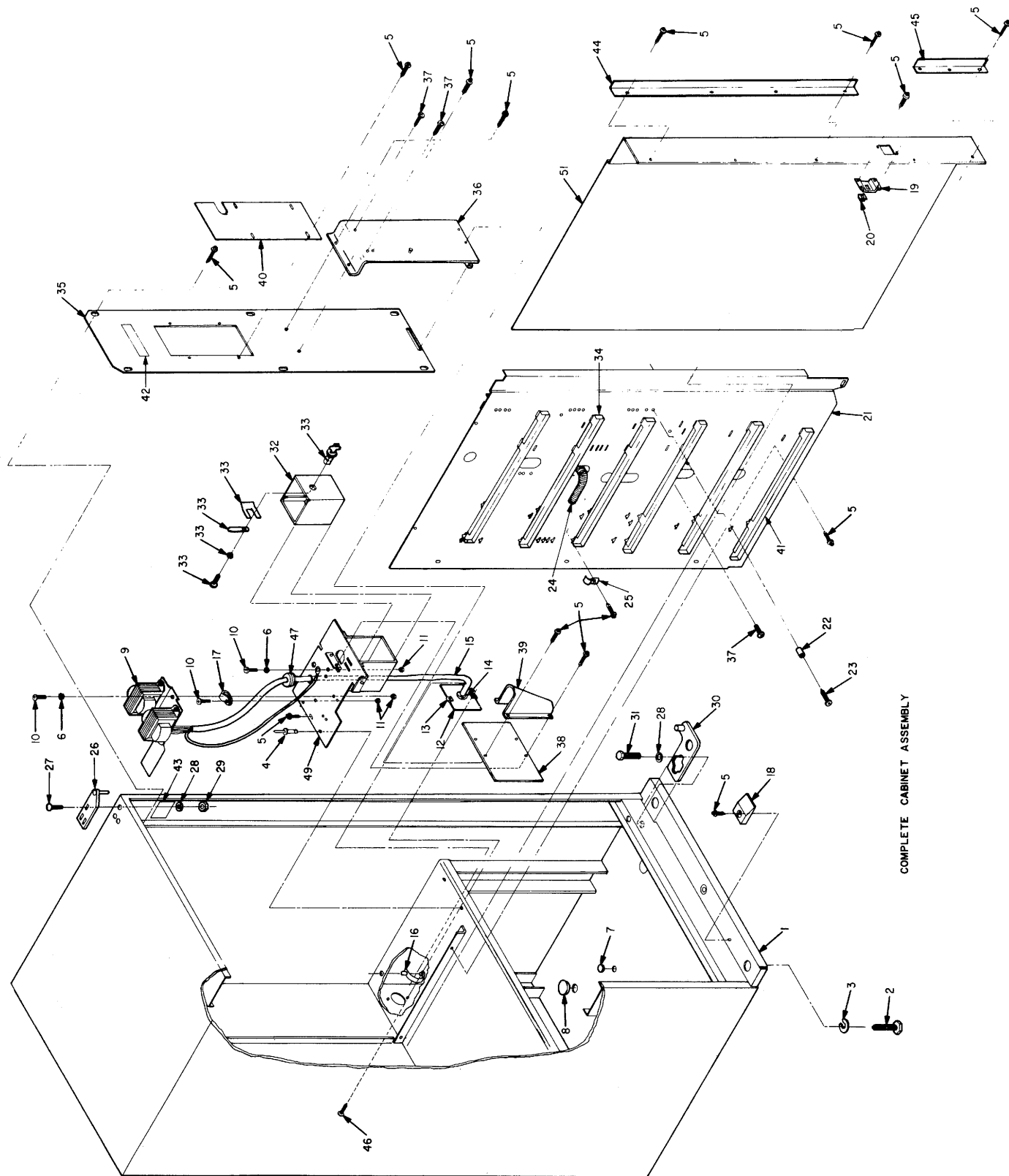
POWER ON

100



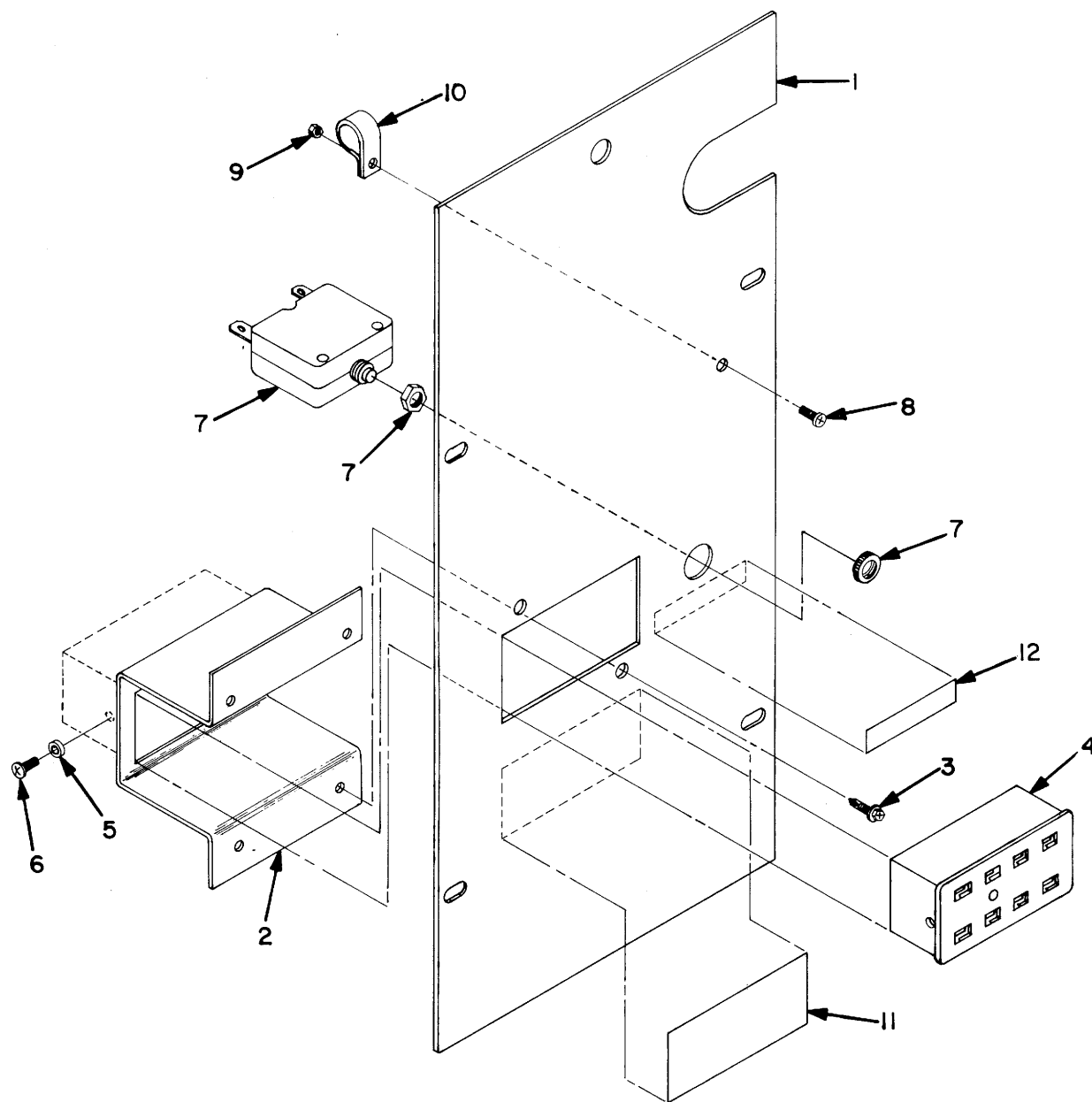
UNIT FINAL ASSEMBLY

Item	Part Number	Description	No. Req'd.					Description
			15	15/3	25	25/5	30	
1	101998	Complete Cabinet Assembly See Page 40	1	1	1	1	1	Price Tab Sheet \$1.65
	102521	Complete Cabinet Assembly See Page 40						Price Tab Sheet 85¢ - 95¢
	102006	Complete Cabinet Assembly See Page 40		1	1	1	1	Price Sheet \$1.70
	102522	Complete Cabinet Assembly See Page 40				1	1	Price Tab Sheet \$1.00 - \$1.10
	102285	Complete Cabinet Assembly See Page 40				1	1	Price Tab Sheet \$1.75
2	101919	Wire Helix Tray Final Assembly #5 See Page 52	1			1	1	Price Tab Sheet \$1.15 - \$1.25
	101144	Wire Helix Tray Final Assembly #5 See Page 52			1	1	1	Price Tab Sheet \$1.80
	101143-001	Wire Helix Tray Final Assembly #5 See Page 52				1	1	Price Tab Sheet \$1.30 - \$1.50
3	101681	Wire Helix Tray Final Assembly #4 See Page 50	1			1	1	Price Tab Sheet \$1.85
	101143-001	Wire Helix Tray Final Assembly #4 See Page 50			1	1	1	Price Tab Sheet \$1.90 - \$3.00
	101143-001	Wire Helix Tray Final Assembly #4 & 5 See Page 50				1	1	Price Tab Sheet \$3.10 - \$3.15
4	101682	Flat Wire Helix Tray Final Assembly See Page 48	3	3				Complete Wire Harness Assembly (MARS)
	101125	Flat Wire Helix Tray Final Assembly See Page 48			3	3	1	Tray Harness
5	101990	Round Wire Helix Tray Final Assembly #3 See Page 48	1					110 Volt Light Harness
	102286	Flat Wire Helix Tray Final Assembly #2 See Page 48				1	1	Transformer Harness 24 Volt
6	102518	Complete Door Assembly See Page 60	1					Transformer Harness 110 Volt
	102499	Complete Door Assembly See Page 60		1				Control Harness (MARS)
	102519	Complete Door Assembly See Page 60			1			Main Harness
	102520	Complete Door Assembly See Page 60						Push Button Harness
7	20680-000	Item Selection No.'s (1-3)	1					Fluorescent Lamp Harness
	20534-002	Item Selection No.'s (1-5)			1		1	Tray Jumper Plug
8	20680-001	Item Selection No.'s (4-6)	1					Motor Jumper
	20535-002	Item Selection No.'s (6-10)			1		1	Complete Wire Harness Assembly (4-PRICE)
	20680-002	Item Selection No.'s (7-9)		1				Control Harness (4-PRICE)
	20536-002	Item Selection No.'s (11-15)		1				Complete Wire Harness Assembly (MARS)
10	20680-003	Item Selection No.'s (10-12)	1					Main Harness
11	20680-004	Item Selection No.'s (13-15)	1					Control Harness (MARS)
	20538-002	Item Selection No.'s (21-25)		1				Push Button Harness
	20749-1	Item Selection No.'s (26-30)		1				Fluorescent Lamp Harness
	20539-002	Item Selection No.'s (26-30)		1				Complete Wire Harness Assembly (4-PRICE)
	20480	Tag (for 24 volt service only)	1	1	1	1	1	Control Wire Harness Assembly (MARS)
	20491	Caution Tag	1	1	1	1	1	Control Harness (MARS)
12	(not shown)							Main Harness
	20734-000	Price Tab Sheet 25¢ - 35¢	1	1	1	1	1	Complete Wire Harness Assembly (4-PRICE)
13	20734-001	Price Tab Sheet 15¢ - 20¢	1	1	1	1	1	Complete Wire Harness Assembly (MARS)
14	20735-000	Price Tab Sheet 40¢ - 50¢	1	1	1	1	1	Complete Wire Harness Assembly (4-PRICE)
15	20735-001	Price Tab Sheet \$1.55	1	1	1	1	1	Mars MC-5010 Coin Mechanism
	20736-000	Price Tab Sheet 55¢ - 65¢	1	1	1	1	1	F300-9402-977 Coinco \$3.00 24 V.
	20736-001	Price Tab Sheet \$1.60	1	1	1	1	1	Complete Gum and Mint Assembly
	20737-000	Price Tab Sheet 70¢ - 80¢	1	1	1	1	1	Complete Gum and Mint Assembly
								8-18 x ½ Phil/Hex Washer Hd. Tek



Item	Part Number	No. Req'd.				Description	Item	Part Number				Description	
		15	15/3	25	25/5			30					
1	101590	1	1	1	1	40	102512	1				1	Complete Relay Panel Assembly. See Page 44
2	100794-001	4	4	4	4		102516	1				1	Complete Relay Panel Assembly. See Page 42
3	9927	4	4	4	4		102517		1				Complete Relay Panel Assembly. See Page 42
4	50685	2	2	2	2		102511		1				Complete Relay Panel Assembly. See Page 44
5	50202	33	33	33	33		120514			1			Complete Relay Panel Assembly. See Page 42
6	50585	7	7	7	7		102510			1			Complete Relay Panel Assembly. See Page 44
7	25-0135-001	2	2	2	2		102515				1		Complete Relay Panel Assembly. See Page 42
8	25-0135-002	3	3	3	3		102409				1		Complete Relay Panel Assembly. See Page 44
9	101657	1	1	1	1		102753	1					Complete Multi-Price II Relay Panel Assembly. See Page 46
10	50240	6	6	6	6		102762		1				Complete Multi-Price II Relay Panel Assembly. See Page 46
11	50513	8	8	8	8		102763						Complete Multi-Price II Relay Panel Assembly. See Page 46
12	8548	1	1	1	1		102764			1			Complete Multi-Price II Relay Panel Assembly. See Page 46
13	50595-001	2	2	2	2		3717-001	5	5	5			Drawer Guide
14	33683	1	1	1	1		20687	1	1	1			Model Label
15	33631	1	1	1	1		20425	1	1	1			Patent Label
16	60230	1	1	1	1		8692	1	1	1			Angle-Anti Pilferage-Upper
17	60116	1	1	1	1		8693	1	1	1			Angle-Anti Pilferage-Lower
18	25610	1	1	1	1		33-1309-000	2	2	2			#8 x 1/2 Phil. Truss Hd. S.M.S. Type "A"
19	9831	1	1	1	1								Rubber Grommet
20	50760	1	1	1	1								T-4 Cap Plug (goes in extra weld nuts for leg levelers) (not shown)
21	102464-000	1	1	1	1								Coin Box Holder Weld Assembly
22	60174	6	6	6	6								Power Cord Plate Assembly
23	50241	6	6	6	6								Left Side Panel
24	33044	x	x	x	x								1/4-14 x 3/4 Ind. Hex Washer Hd. Tek (not shown)
25	34238	5	5	5	5								Line Splice Connectors (not shown)
26	33905	1	1	1	1								
27	33979	3	3	3	3								
28	50750	5	5	5	5								
29	101127	1	1	1	1								
30	50099	3	3	3	3								
31	18-6148-000	5	5	5	5								
32	50066	3	3	3	3								
33	60-0018-000	2	2	2	2								
34	101137	1	1	1	1								
35	60366-xxx	1	1	1	1								
36	3717-000	5	5	5	5								
37	9814-00	1	1	1	1								
38	3410	1	1	1	1								
39	101266-000	1	1	1	1								
	50180	12	12	12	12								
	9998	1	1	1	1								
	9969-000	1	1	1	1								

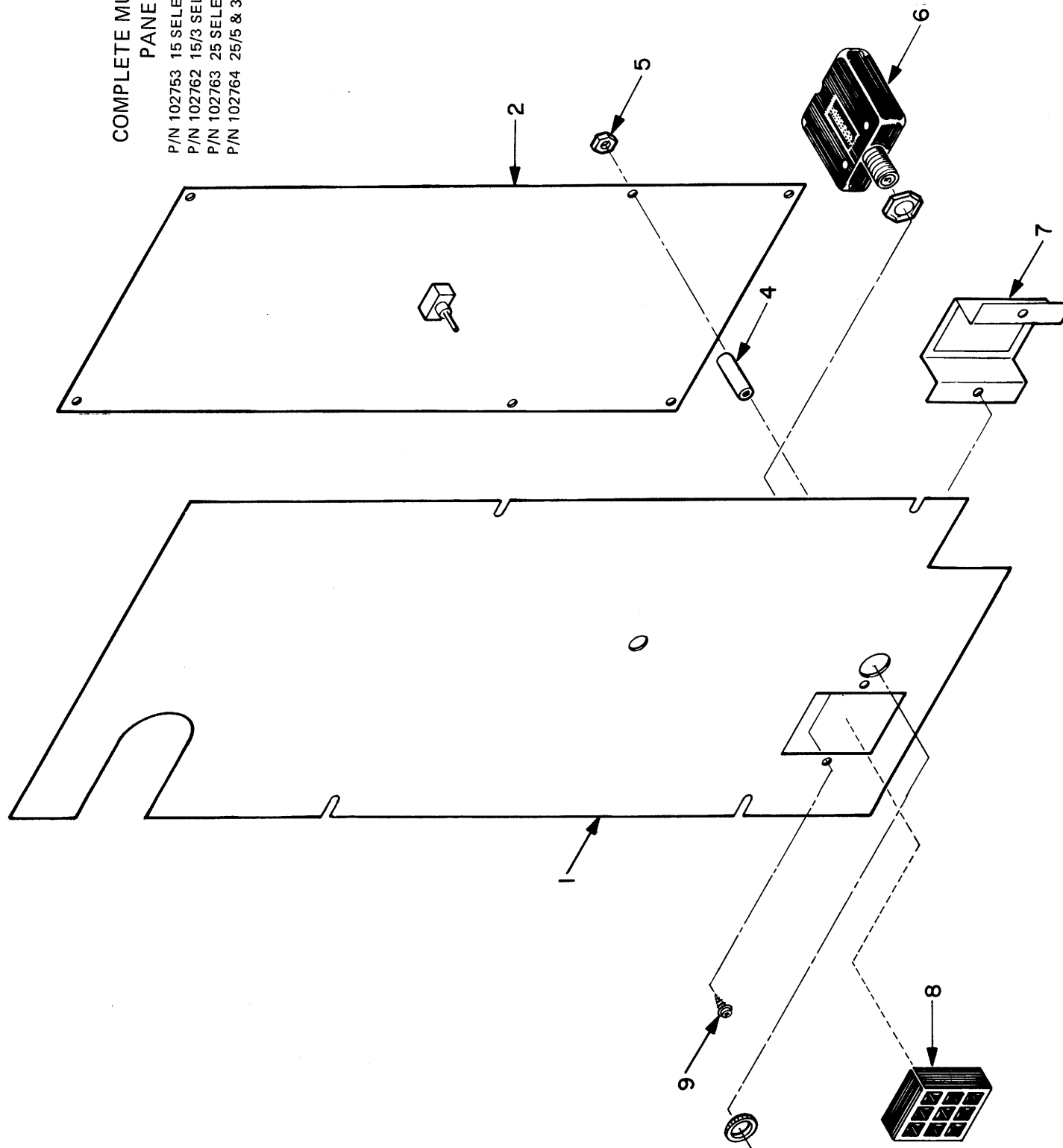
COMPLETE RELAY PANEL ASSEMBLY
FOR 4-PRICE MACHINE
DWG. NO. 102516 FOR 15 SELECTION
DWG. NO. 102517 FOR 15/3 SELECTION
DWG. NO. 102514 FOR 25 SELECTION
DWG. NO. 102515 FOR 25/5 & 30 SELECTION



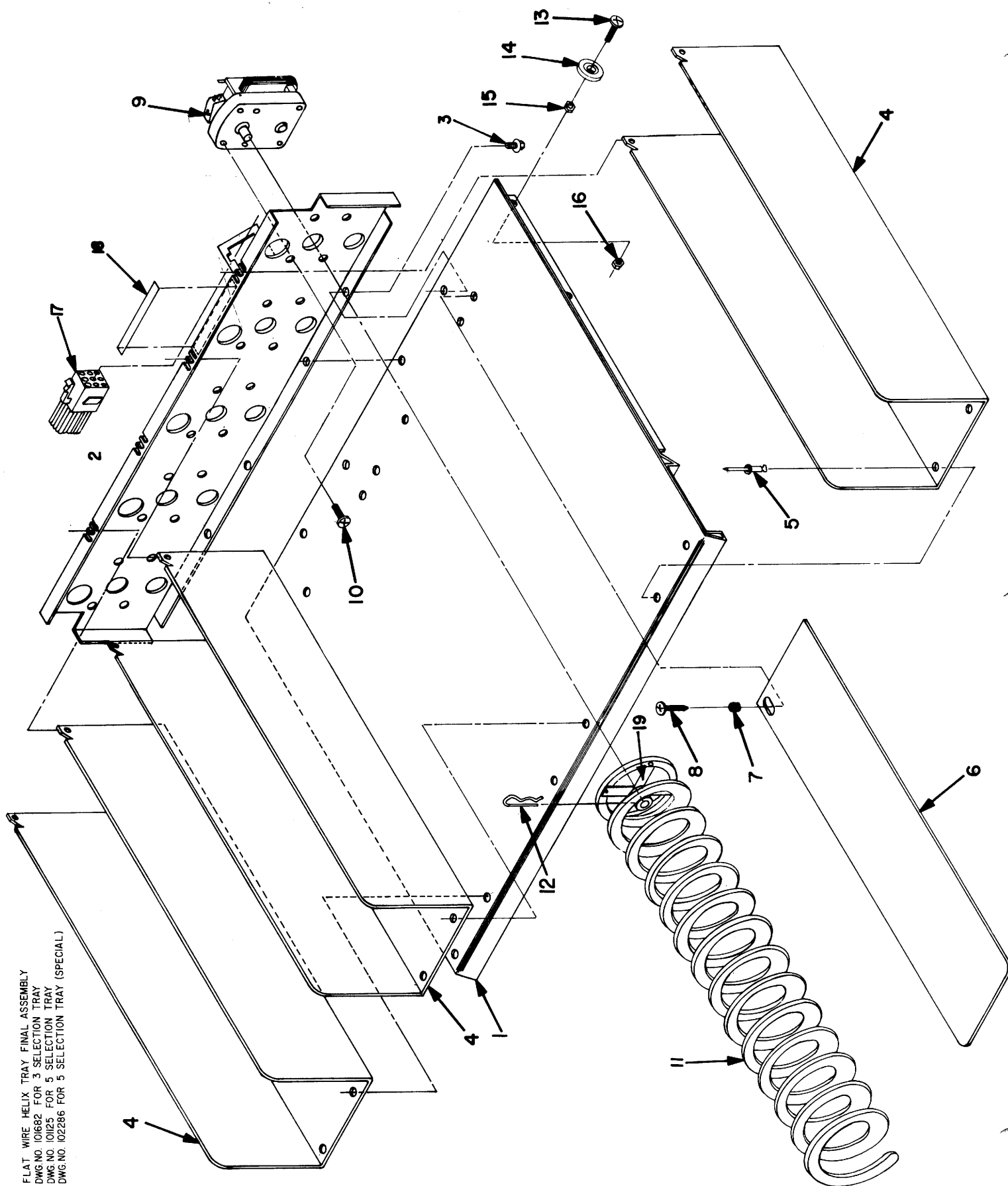
Item	Part Number	No. Req'd.					Description
		15	15/3	25	25/5	30	
1	9891-000	1	1	1	1	1	Relay Panel
2	9836	1	1	1	1	1	Jones Plug Bracket
3	50202	2	2	2	2	2	#8-18 x 1/4 Phil. Hex Washer Hd. Tek
4	33607	1	1	1	1	1	Female Plug (Coin Mechanism)
5	50112	2	2	2	2	2	#6-32 x 1/4 Phil. Pan Hd. M.S. Washer
6	50617	2	2	2	2	2	
7	33071	1	1	1	1	1	3 Amp Circuit Breaker
8	60134	1	1	1	1	1	Plastic Wire Clamp
9	50247	1	1	1	1	1	#8-32 x 1/2 Phil. Pan Hd. M.S.
10	50513	1	1	1	1	1	#8-32 Twin Whiz Nut
11	20417	1	1	1	1	1	Electrical Decal
12	20487	1	1	1	1	1	Push to Reset Decal
13	34232	1					Relay Harness (not shown)
	34236		1				Relay Harness (not shown)
	34216			1			Relay Harness (not shown)
	34217				1	1	Relay Harness (not shown)
14	101250	1	1	1	1	1	Relay Panel Assembly (not shown)

COMPLETE MULTI-PRICE II RELAY
PANEL ASSEMBLY

P/N 102753 15 SELECTION
P/N 102762 15/3 SELECTION
P/N 102763 25 SELECTION
P/N 102764 25/5 & 30 SELECTION

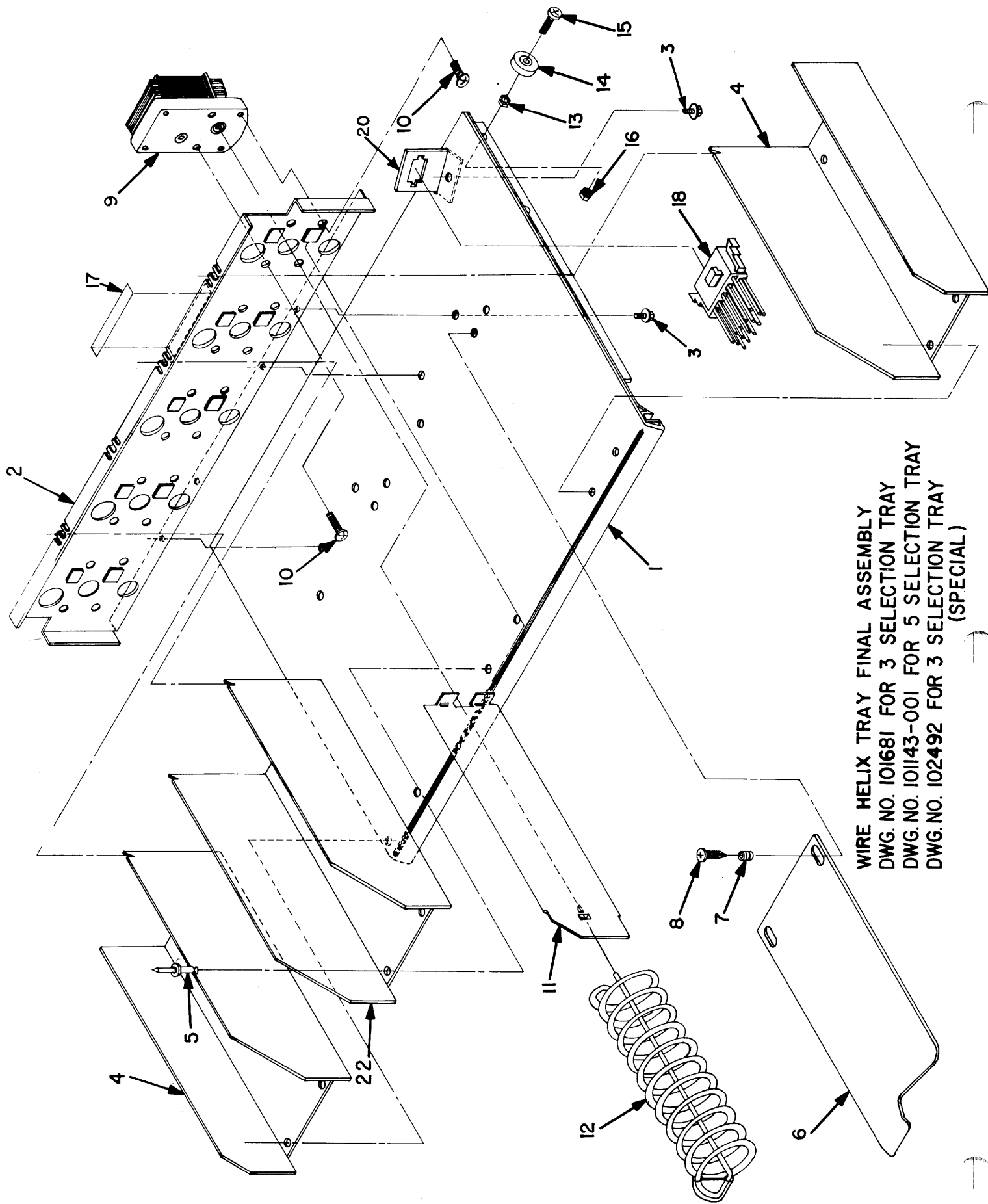


Item	Pai. Number	No. Req'd.					Description
		15	15/3	25	25/5	30	
1	3412	1	1	1	1	1	Control Panel
2	34297	1	1	1	1	1	Control Board
3	50153	4	4	4	4	4	#6-32 x 1 1/2 Slotted Rd. Hd. M.S. (not shown)
4	25714	4	4	4	4	4	Stand Offs
5	50505	6	6	6	6	6	#6-32 Twin Whiz
6	33071	1	1	1	1	1	3 Amp Circuit Breaker
7	3792	1	1	1	1	1	Coin Mech. Mounting Bracket
8	34223	1	1	1	1	1	Coin Mechanism Plug-12 Pin
9	50202	2	2	2	2	2	#8-18 x 1/4 Phil/Hex Washer Hd. Tek.
10	50122	2	2	2	2	2	#6-32 x 3/8 Phillips Pan Hd. M.S. (not shown)
11	34235	1					Control Harness (not shown)
	34237		1				Control Harness (not shown)
	34215			1			Control Harness (not shown)
	34210				1	1	Control Harness (not shown)
12	34288	1	1	1	1	1	Coin Mechanism Harness (not shown)
13	34299	1	1	1	1	1	Credit Display Harness (long) (not shown)
14	20812	1	1	1	1	1	Control Panel Labels (not shown)



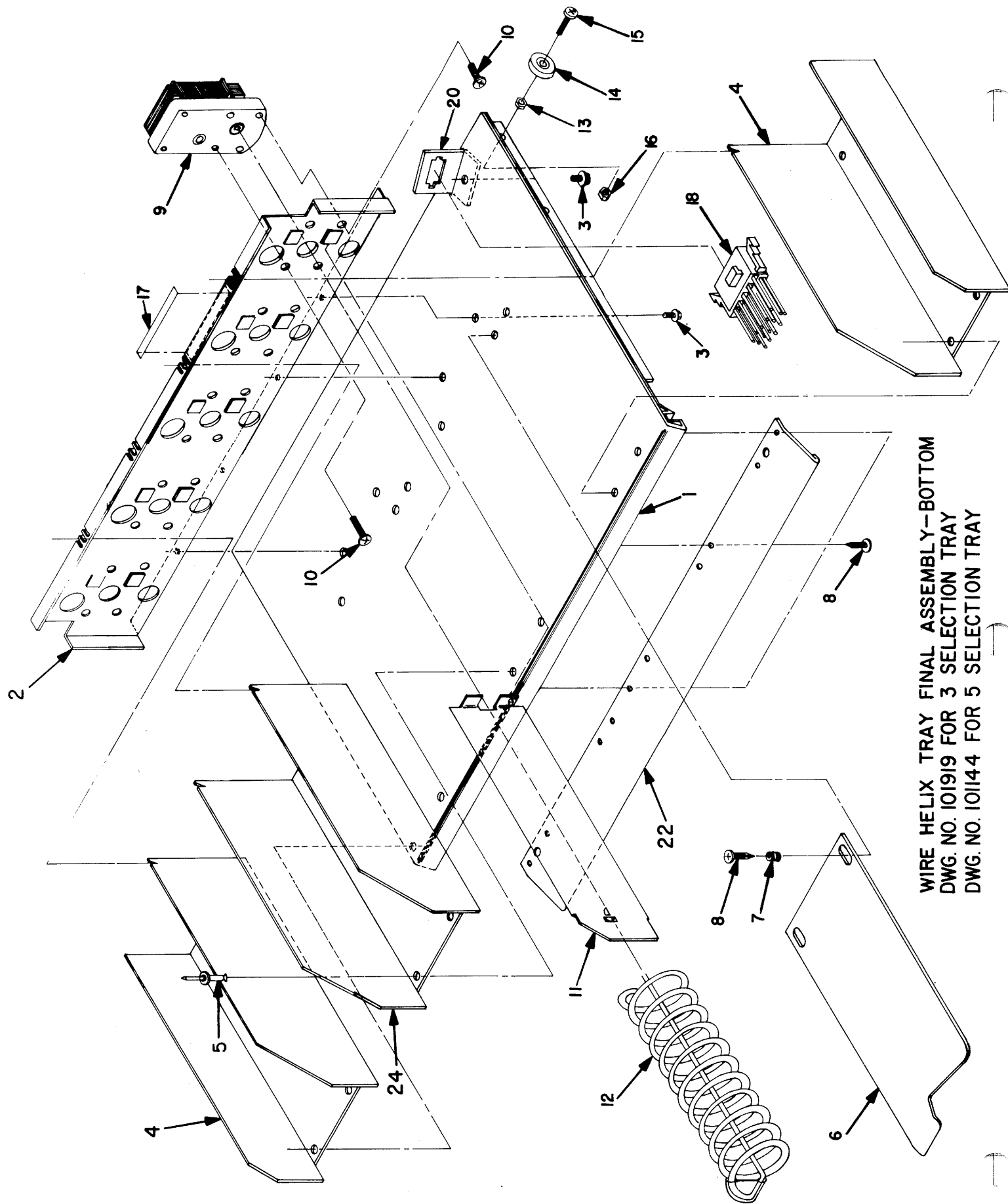
FLAT WIRE HELIX TRAY FINAL ASSEMBLY
 DWG. NO. 101682 FOR 3 SELECTION TRAY
 DWG. NO. 101125 FOR 5 SELECTION TRAY
 DWG. NO. 102286 FOR 5 SELECTION TRAY (SPECIAL)

Item	Part Number	No. Req'd.						Description
		15	15/3	25	25/5	30	30Sp	
1	101601	1	1	1	1	1	1	Flat Wire Helix Tray Assembly
2	101293			1	1	1	1	Flat Wire Helix Tray Weld Assembly
	101603	1	1					Flat Wire Helix Tray Back Weld Assembly
3	101124	3	3	4	4	4	4	Flat Wire Helix Tray Back Weld Assembly
	50426							#10 x 1/4 Ind. Hex. Hd. Phil. Type "B" S.M.S.
4	9914	2	2	3	3	3	1	Flat Wire Tray Divider
6	4263	3	3	5	5	5	5	Flat Wire Adjustable Shelf
7	33967	3	3	5	5	5	5	Grommet
8	50180	3	3	5	5	5	5	#8-18 x 1/2 Phil./hex. Washer Hd. Tek
9	33943	3	3	5	5	5	5	Flat Wire Helix Motor
10	50240	6	6	10	10	10	10	#8-32 x 3/8 Phil. Pan Hd. M.S.
11	60240	3	3	5	5	5	5	Flat Wire Helix
12	50773	3	3	5	5	5	5	Hitch Pin
13	50251	4	4	4	4	4	4	#8-32 x 5/8 Phil. Pan Hd. M.S.
14	60172	4	4	4	4	4	4	Roller (nylon)
15	50496	4	4	4	4	4	4	1/4-20 Uni-torque Lock Nut
16	50494	4	4	4	4	4	4	#8-32 F/M Uni-torque Nut
17	33042	1	1					Tray Harness
	33903			1	1	1	1	Tray Harness
18	20582	1	1	1	1	1	1	Label-Motor
19	25596	3	3	5	5	5	5	Helix Adaptor
20	102313	1	1					Flat Wire Helix Tray Weld & Rivet Asbly. (not shown)
	101123			1	1	1	1	Flat Wire Helix Tray Weld & Rivet Asbly. (not shown)
	101764							Flat Wire Helix Tray Weld & Rivet Asbly. (not shown)
21	34114	x	x	x	x	x	x	Helix Motor Cycle Switch (Service Part only) (not shown)
22	101935	x	x	x	x	x	x	3/4" Product Spacer Kit (Service Part only) (not shown)
23	8816-000							Flat Wire Helix Tray Divider End-R (not shown)
24	8816-001							Flat Wire Helix Tray Divider End-L (not shown)



WIRE HELIX TRAY FINAL ASSEMBLY
 DWG. NO. 101681 FOR 3 SELECTION TRAY
 DWG. NO. 101143-001 FOR 5 SELECTION TRAY
 DWG. NO. 102492 FOR 3 SELECTION TRAY
 (SPECIAL)

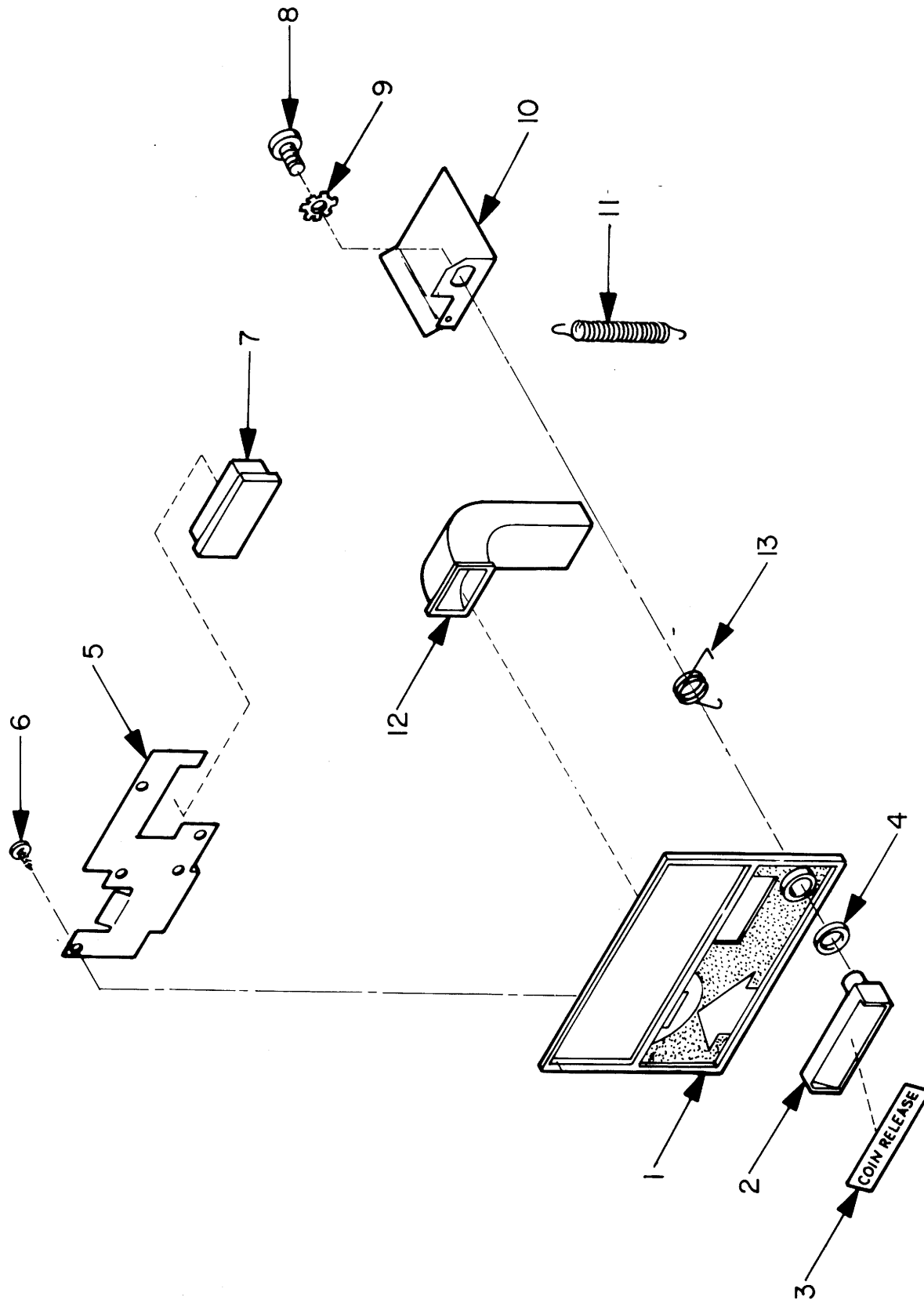
Item	Part Number	No. Req'd.								Description
		15	15Sp	15/3	15/3Sp	25	25/5	30		
1	101601									Wire Helix Tray Weld Assembly
	101597	1	1	1	1	1	1	1	1	Wire Helix Tray Weld Assembly
2	101292-001									Wire Helix Tray Weld Assembly
	8043	1	1	1	1	1	1	1	1	Wire Helix Tray Back
	8097-001									Wire Helix Tray Back
3	50426	3	3	3	3	4	4	4	4	#10 x 1/4 Phil./Hex Washer Hd. Type "B" S.M.S.
4	9909-002	1r/1l	1r/1l	1r/1l	1r/1l	1r/1l	1r/1l	1r/1l	1r/1l	Round Wire Helix Tray Divider End
5	50665	4	4	4	4	6	6	6	6	1/8 x 1/4 Pop Rivet
6	9883	3	3	3	3	5	5	5	5	Adjustable Shelf
7	33967	3	3	3	3	5	5	5	5	Rubber Grommet
8	50180	3	3	3	3	5	5	5	5	#8-18 x 1/2 Phil. Pan Hd. Tek
9	34090	3	3	3	3	5	5	5	5	Helix Motor
10	50240	6	6	6	6	10	10	10	10	#8-32 x 3/8 Phil. Pan Hd. M.S.
11	8040-001	3	3	3	3	5	5	5	5	Wire Helix Divider
12	60283	3	3	3	3	5	5	5	5	Wire Helix
13	50496	4	4	4	4	4	4	4	4	1/2-20 Uni-torque Lock Nut
14	60172	4	4	4	4	4	4	4	4	Roller (nylon)
15	50251	4	4	4	4	4	4	4	4	#8-32 x 5/8 Phil. Pan Hd. M.S.
16	50494	4	4	4	4	4	4	4	4	#8-32 F/M Uni-torque Nut
17	20582	1	1	1	1	1	1	1	1	Motor Decal
18	33042	1	1	1	1	1	1	1	1	Tray Harness
	33903									Tray Harness
19	102492									Wire Helix Tray Rivet Assembly(not shown)
	102314									Wire Helix Tray Rivet Assembly(not shown)
20	101122-001	1	1	1	1	1	1	1	1	Wire Helix Tray Rivet Assembly(not shown)
	9848-001	1	1	1	1	1	1	1	1	Plug Bracket
21	34114	x	x	x	x	x	x	x	x	Helix Motor Cycle Switch (Service Part only) (not shown)
22	9910-002									Wire Helix Tray Divider-Center



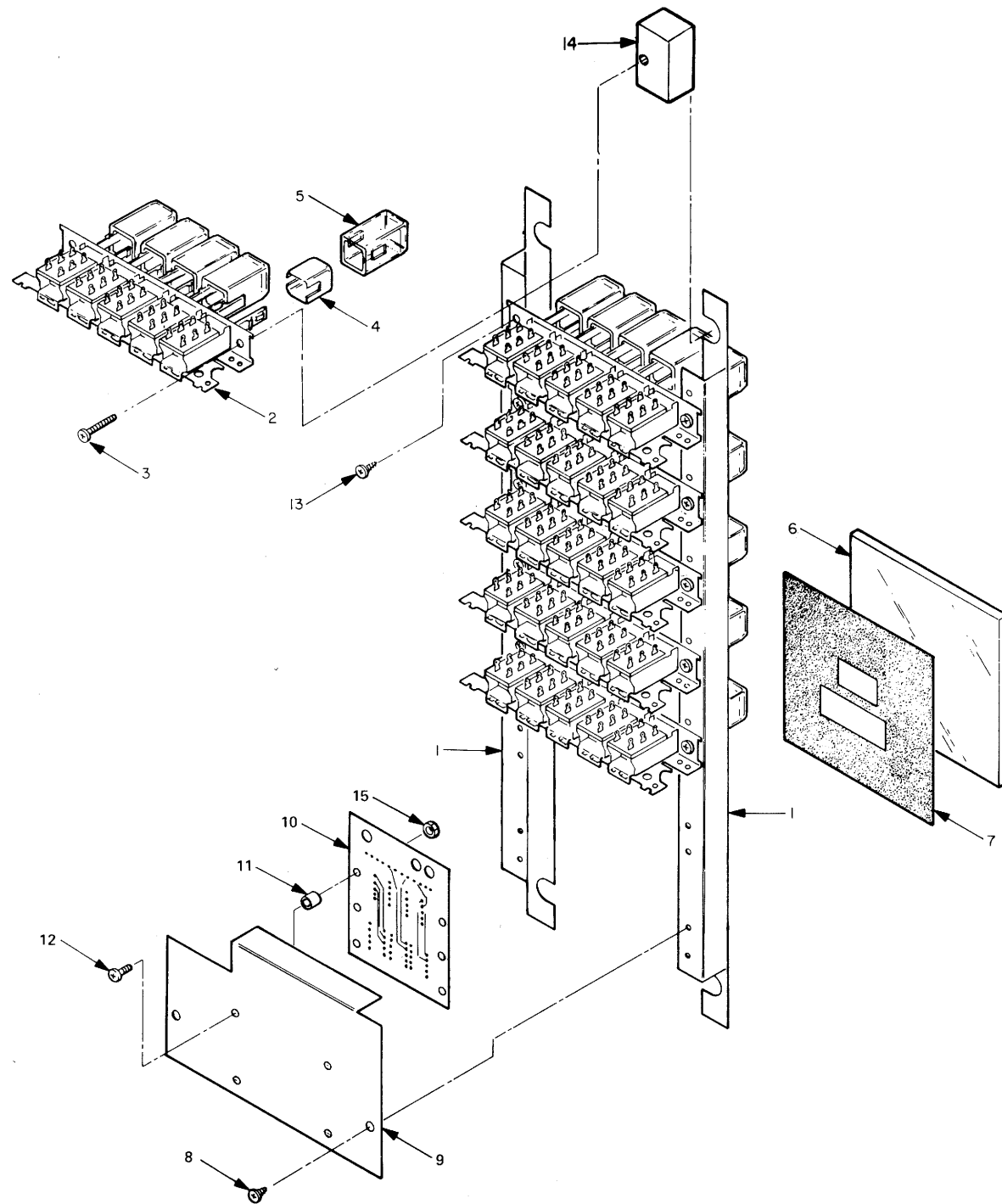
WIRE HELIX TRAY FINAL ASSEMBLY-BOTTOM
 DWG. NO. 101919 FOR 3 SELECTION TRAY
 DWG. NO. 101144 FOR 5 SELECTION TRAY

Item	Part Number	No. Req'd.				Part Number	Description
		15	15/3	25	25/5		
41	V801134		1				1/8 x 1" Corr. Res. Steel
42	33042		1				Tray Harness (not shown)
43	33903		1				Tray Harness (not shown)
44	34230		1				Gum & Mint Adaptor (not shown)
45	20779		1				Tray Operation Instructions
46	20780		1				Tray Opening Instructions
47	102438		1				Drawer Base Screw Assembly (not shown)
	102437						Drawer Base Screw Assembly (not shown)
48	102442		1				Tray Final Assembly (not shown)
49	102424						Tray Final Assembly (not shown)
50	131095		3				Product Gate Assembly
	131020		3				Product Pusher Assembly
	33-2634-000		x				Pin-Drive 3/32 x 5/8

Item	Part Number	No. Req'd.				Description	
		15	15/3	25	25/5		30
1	102440						Drawer Base Weld Assembly
2	102428		1				Drawer Base Weld Assembly
3	60172		8				Roller (nylon)
4	50240		8				#8-32 x 3/8 Phil. Pan Hd. Mach. Screw
5	50494		8				#8-32 F/M Uni-torque Nut
6	102441		1				Front Panel Weld Assembly
7	102427		1				Front Panel Weld Assembly
8	383069		1				Arm-Latch
9	21041		1				Spring
10	3757		1				Bar-Unlatching
11	50561		1				Tinnerman Push-on #C1059-014-27
12	25678		3				Pusher
13	102435		3				Motor Stake Assembly
14	34240		3				Motor 24 Vac (Molon or ECM)
15	25679		3				Vend Cam
16	50234		6				#8-32 x 3/8 Phil. Truss Hd. M.S.
17	50319		3				#10-32 x 3/8 Phil. Fillister Head
18	50495		3				#10-32 F/M Uni-torque Nut
19	361630		1				Interlock Switch
20	102443		1				Tray Weld Assembly
21	102422		1				Tray Weld Assembly
22	102444		1				Cover Weld Assembly
23	102420		1				Cover Weld Assembly
24	3781		1				Soldout Retainer
25	3748		2				Soldout Retainer
26	50426		2				#10-3/4 Ind. Hex. Hd. Phil. Type "B" S.M.S.
27	383241		2				Pin-Lid Hinge
28	383131		1				Spring-Cover
29	383091		1				Section-Gate Hinge
30	383092		1				Gate-Product
31	383067		1				Spring- Gate
32	383124		1				Pin- Gate Hinge
33	336806		3				Wing Nut
34	380513		1				Screw Shoulder
35	25693		1				Window-Product
36	383090		1				Window-Product
37	50605		3				Washer, 7/16 OD x 200 ID, Brass
38	3780		1				Panel- Label Holder
39	3742		1				Panel- Label Holder
40	V800709		9				#10-32 x 3/8 Phil. Truss Hd. Self Tapping
41	09-1078-000		2				Tabular Speed Nut (Tinnerman)
42	102433		2				Track Weld Assembly
43	50650		4				1/8 x 1" Cotter Pin
44	383129-001		1				Partition- Removable
45	383066		1				Pusher- Product
46	383081		1				Bearing- Pusher Spring
47	383337		1				Spring- Coiled Band

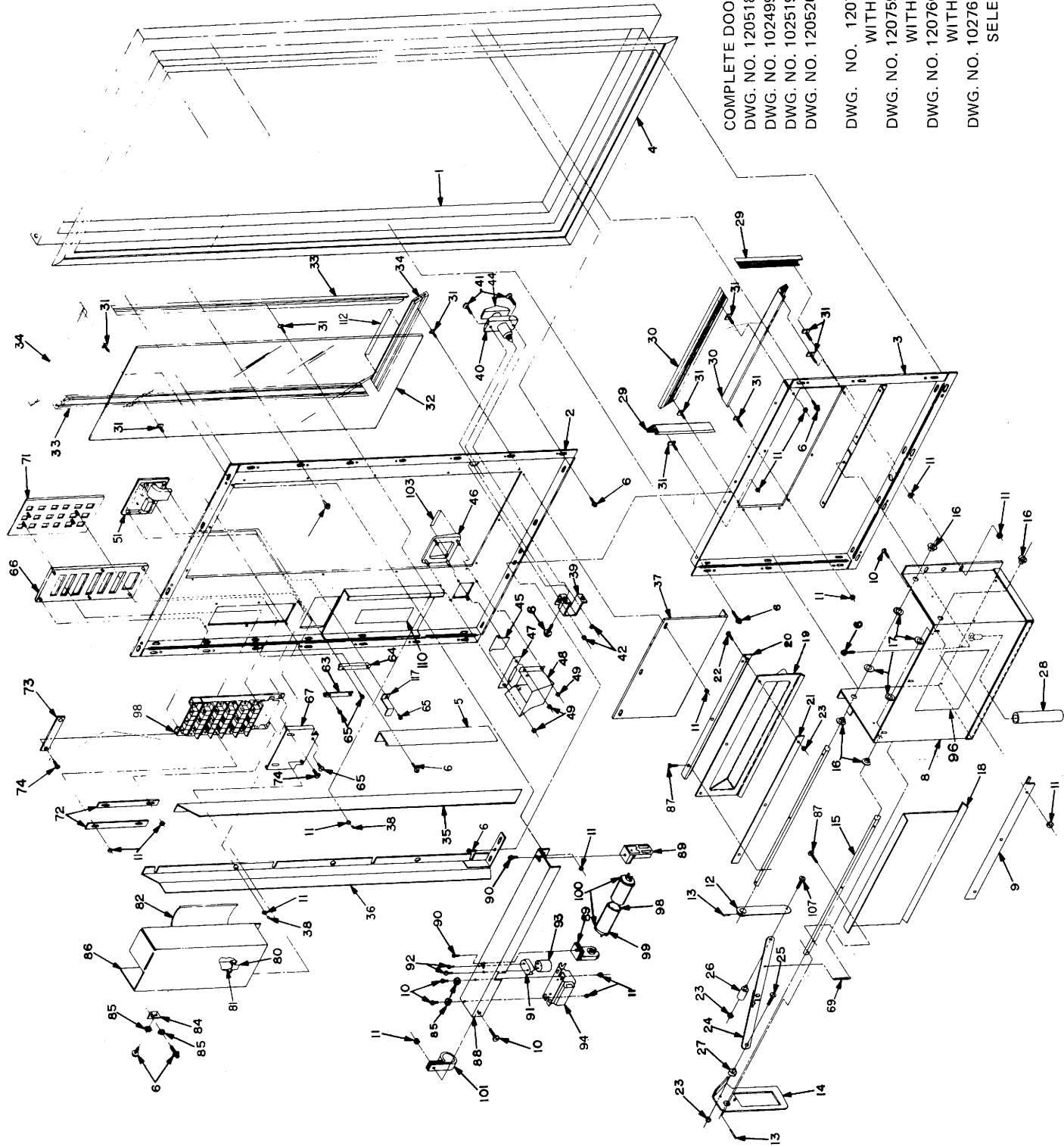


COMPLETE COIN INSERT CASTING ASSEMBLY
P/N 101863



COMPLETE PUSH BUTTON BANK ASSEMBLY

102731 15 SELECTION
 120732 15/3 SELECTION
 120733 25 SELECTION
 102734 25/5 & 30 SELECTION
 102754 15 SELECTION WITH DISPLAY
 102755 15/3 SELECTION WITH DISPLAY
 102756 25 SELECTION WITH DISPLAY
 102757 25/5 & 30 SELECTION WITH DISPLAY



COMPLETE DOOR ASSEMBLY

DWG. NO. 120518 FOR 15 SELECTION

DWG. NO. 102499 FOR 15/3 SELECTION

DWG. NO. 102519 FOR 25 SELECTION

DWG. NO. 120520 FOR 25/5 & 30

SELECTION

DWG. NO. 120758 FOR 15 SELECTION

WITH DISPLAY

DWG. NO. 120759 FOR 15/3 SELECTION

WITH DISPLAY

DWG. NO. 120760 FOR 25 SELECTION

WITH DISPLAY

DWG. NO. 102761 FOR 25/5 & 30

SELECTION WITH DISPLAY

Item	Part Number	No. Req'd.					Description
		15	15/3	25	25/5	30	
1	101116-003	1	1	1	1	1	Door Frame Weld Assembly
2	101116-005	1	1	1	1	1	Door Frame Weld Assembly
3	101543-000	1	1	1	1	1	Vinyl Top Door Panel Assembly
4	100818-001	1	1	1	1	1	Top Door Panel Weld Assembly
5	60359	1	1	1	1	1	Vinyl Bottom Door Panel Assembly
6	60309	1	1	1	1	1	Bottom Door Panel Weld Assembly
7	6999	1	1	1	1	1	Door Gasket
8	50202	42	42	16	16	16	Door Gasket
9	101717	1	1	1	1	1	Door Anti-Cheat Right
10	101690-001	1	1	1	1	1	#8-18 x 1/2 Phil./Hex Washer Hd. Tek
11	101622	1	1	1	1	1	Delivery Final Assembly (not shown)
12	100691-001	1	1	1	1	1	Delivery Final Assembly (not shown)
13	8702	1	1	1	1	1	Delivery Weld Assembly
14	8663-001	1	1	1	1	1	Delivery Weld Assembly
15	50240	6	6	5	5	5	Angle Product Deflector
16	50513	7	7	5	5	5	Angle Product Deflector
17	101688	1	1	1	1	1	#8-32 x 3/8 Phil. Pan Hd. M.S.
18	50725	2	2	2	2	2	#8-32 Twin Whiz Lock Nut
19	101694	1	1	1	1	1	Door Link Weld Assembly
20	8698	2	2	1	1	1	1/8 x 3/4 Roll Pin
21	8666	2	2	2	2	2	Anti-Cheat Cam Assembly
22	25263	4	4	4	4	4	Shaft Delivery
23	50612	4	4	4	4	4	Shaft Delivery
24	8701	1	1	1	1	1	Type 7 Snap-in Nylon
25	8664	1	1	1	1	1	Flat Washer
26	25611	1	1	1	1	1	Anti-Cheat
27	25264	1	1	1	1	1	Anti-Cheat
28	8699	1	1	1	1	1	Delivery Door
29	8662	1	1	1	1	1	Delivery Door
30	8700	1	1	1	1	1	Brk't-Delivery Door Hinge
31	8665	1	1	1	1	1	Brk't-Delivery Door Hinge
32	50247	4	4	4	4	4	Brace-Delivery Door
33	50494	5	5	4	4	4	Brace-Delivery Door
34	101206	1L	1L	1L	1L	1L	#8-32 x 1/2 Phil. Pan Hd. M.S.
35	50251	1	1	1	1	1	#8-32 F/M Uni-torque Nut
36	30079	1	1	1	1	1	Link Arm Final Assembly
37	30089	1	1	1	1	1	#8-32 x 5/8 Phil. Pan Hd. M.S.
38	25409	1	1	1	1	1	Shoulder Spacer
39	22357-001	2	2	2	2	2	Bushing
40	22357-003	2	2	2	2	2	3/8 I.D. 1/16 Wall Mayon Tubing (8" Long)
41	22357-002	12	12	16	16	16	Delivery Trim (Sides)
42	50724	1	1	1	1	1	Delivery Trim (Top & Bottom)
43	25261	1	1	1	1	1	Delivery Trim (Top & Bottom)
44	25546	1	1	1	1	1	#8-32 x 3/8 T-Bolt
45	22370-002	2	2	2	2	2	Display Window
46							Display Window
47							Display Trim (Sides)

Item	Part Number	No. Req'd.					Description
		15	15/3	25	25/5	30	
34	22370-005	2	2	2	2	2	Display Trim (Top & Bottom)
35	22370-001	1	1	1	1	1	Display Trim (Top & Bottom)
36	9850-001	1	1	1	1	1	Anti-Theft Guard Left
37	101903-001	1	1	1	1	1	Anti-Theft Guard Weld Assembly
38	8655-001	1	1	1	1	1	Door Deflector
39	9876-001	13	13	13	13	13	Door Deflector
40	50548	1	1	1	1	1	#8-Nylon Screw Cover
41	9823	1	1	1	1	1	Lock Housing
42	60321	1	1	1	1	1	Pop Out 4255 Flush T-Handle
43	50338	2	2	2	2	2	#10-32 x 1/2 Fit. Hd. Phil. Cap Screw
44	50546	2	2	2	2	2	#10-32 Twin Whiz
45	50555	1	1	1	1	1	1/2" Retaining Ring (not shown)
46	60330	1	1	1	1	1	Lock Cylinder w/2 Keys (state key #)
47	20-0102-000	1	1	1	1	1	Key Series per Purchase Order
48	33-4281-000	1	1	1	1	1	Coin Return Door
49	20-1422-000	1	1	1	1	1	Change Bezel
50	20-1649-000	1	1	1	1	1	Anti-Payout Tab
51	33-4982-000	4	4	4	4	4	Coin Return Cup
52	101863	1	1	1	1	1	#8 Sheet Metal Nut (Service Part Only)
53	20071	1	1	1	1	1	Complete Coin Insert Casting Assembly
54	20488	1	1	1	1	1	See Page 56
55	50263	1	1	1	1	1	Minors Forbidden By Law
56	20482	1	1	1	1	1	Product Decal
57	20596-001	1	1	1	1	1	#8-32 x 7/8 Phil. Pan Hd. M.S.
58	33-4984-000	1	1	1	1	1	Coin Insert Label
59	20483-001	1	1	1	1	1	Coin Insert Label
60	60134	1	1	1	1	1	Decal-Change
61	33713-002	2	2	2	2	2	Operating Instruction Decal
62	33668	1	1	1	1	1	Plastic Wire Clamp 1"
63	33550	1	1	1	1	1	Safety Tube End Caps
64	25262	1	1	1	1	1	F14T8 Lamp
65	33713-001	1	1	1	1	1	F16-T8-K26 Lamp
66	60130	1	1	3	3	3	Plastic Safety Tube
67	25670	1	1	1	1	1	Plastic Safety Tube
68	33713-000	1	1	1	1	1	ABS Plastic Press Clip 1/4" (not shown)
69	8717	1	1	1	1	1	Safety Shield Kit (not shown)
70	8718	1	1	1	1	1	Plastic Safety Shield Kit 26" (not shown)
71	50212	4	4	4	4	4	Coin Insert Casting Ret. Brk't-Right
72	60319	1	1	1	1	1	Coin Insert Casting Ret. Brk't-Left
73	60300-001	1	1	1	1	1	#8-32 x 1/4 Phil. Par. Hd. Type "23" S.T.S.
74	60320	1	1	1	1	1	Selector Panel With Display
75	60312-002	1	1	1	1	1	Selector Panel
76	8719	1	1	1	1	1	Push Button Bracket
77	21066	1	1	1	1	1	Spring
78	101671	1	1	1	1	1	Filler Plate Weld Assembly
79	102419	1	1	1	1	1	Filler Plate Weld Assembly

Item	Part Number	Description	No. Req'd.				
			15	15/3	25	25/5	30
72	7967	Bar Filler Plate Retainer	2	2	1	1	1
73	3997	Switch Spacer	1	1	1	1	1
74	50213	#8-32 x 1/4 Phil. Truss Hd. M.S.	4	4	4	4	4
76	102495	Light Reflector Housing-Complete (not shown)	1	1	1	1	1
77	102496	Light Assembly-Complete (not shown)	1	1	1	1	1
	102502	Light Assembly-Complete (not shown)					
78	34234	Fluorescent Lamp Harness	1	1	1	1	1
	34213	Fluorescent Lamp Harness	1	1	1	1	1
79	34212	Light Harness 110 Volt (not shown)	1	1	1	1	1
80	102447	Selection Lamp Assembly	1	1	1	1	1
81	33953	6 1/2 DC Bulb 20T	1	1	1	1	1
82	25563	Light Diffuser	1	1	1	1	1
83	34092	White Push Button (Service Part Only)	x	x	x	x	x
84	4950	Pan Bracket	1	1	1	1	1
85	50585	#8 External Shakeproof Lock Washer	4	4	4	4	4
86	9818-002	Light Reflector Housing	1	1	1	1	1
87	50225	#8-32 x 3/8 Phil. Pan Hd. Taptite	6	6	4	4	4
88	8651	Light Reflector	1	1	1	1	1
	9917	Light Reflector					
89	33548	Lamp Holder	2	2	1	1	1
90	50112	#6-32 x 1/4 Phil. Pan Hd. M.S.	2	2	2	2	2
91	33617	Starter Socket	1	1	1	1	1
92	50018	#4-40 x 3/8 Phil. Pan Hd. M.S.	2	2	2	2	2
93	33567	FS-2 Starter	1	1	1	1	1
	33661	FS-25 Starter					
94	33609	Ballast Lamp Robertson SP2	1	1	1	1	1

Item	Part Number	Description	No. Req'd.				
			15	15/3	25	25/5	30
96	20757	Wiring Diagram (4-Price)	1				
	20764	Wiring Diagram (Multi-Price)	1				
	20778	Wiring Diagram (4-Price)		1			
	20763	Wiring Diagram (Multi-Price)		1			
	20754	Wiring Diagram (4-Price)			1		
	20762	Wiring Diagram (Multi-Price)			1		
	20776	Wiring Diagram (4-Price)				1	
	20777	Wiring Diagram (Multi-Price)				1	
	20756	Wiring Diagram (4-Price)					1
	20732	Wiring Diagram (Multi-Price)					1
97	34093	Clear Push Button Cover (Service Part Only)	x	x	x	x	x
98	102731	Complete Push Button Bank Assembly. See Page 58	1				
	102732	Complete Push Button Bank Assembly. See Page 58		1			
	102733	Complete Push Button Bank Assembly. See Page 58			1		
	1022734	Complete Push Button Bank Assembly. See Page 58				1	
	102734	Complete Push Button Bank Assembly. See Page 58					1
	120754	Complete Push Button Bank Assembly with Display. See Page 58	1				
	102755	Complete Push Button Bank Assembly with Display. See Page 58					1
	102756	Complete Push Button Bank Assembly with Display. See Page 58			1		
	102757	Complete Push Button Bank Assembly with Display. See Page 58				1	
99	4821	Coin Chute Retainer	1	1	1	1	1

KITS and ACCESSORIES:

Listed below are the basic kits being offered.

KIT	PURPOSE	PART NO.
HELIX CONVERSION KIT FOR SMALL PRODUCT	Snickers, Mars, Mounds, Almond Joy 4" to 2 7/8" Helix	102112
HELIX CONVERSION KIT FOR THIN PRODUCT	Hershey Bar, Nestles Crunch 20 Capacity to 30 Capacity	265012
PRODUCT SPACER 3 1/4" FLAT WIRE HELIX	Change Helix	101935
PRODUCT SPACER NARROW PRODUCT	Narrow Candy Bars	265014
PRODUCT SPACER	Oh, Henry, Baby Ruth	265015
KICK PANEL KIT	To Hide Legs	265016- xxx
4" LEG KIT	To Raise Vendor Off Floor	265017
COUNTER KIT	Record Total Items Vended	265018
GUM & MINT KIT	To Dispense Gum & Mint	102028-001

