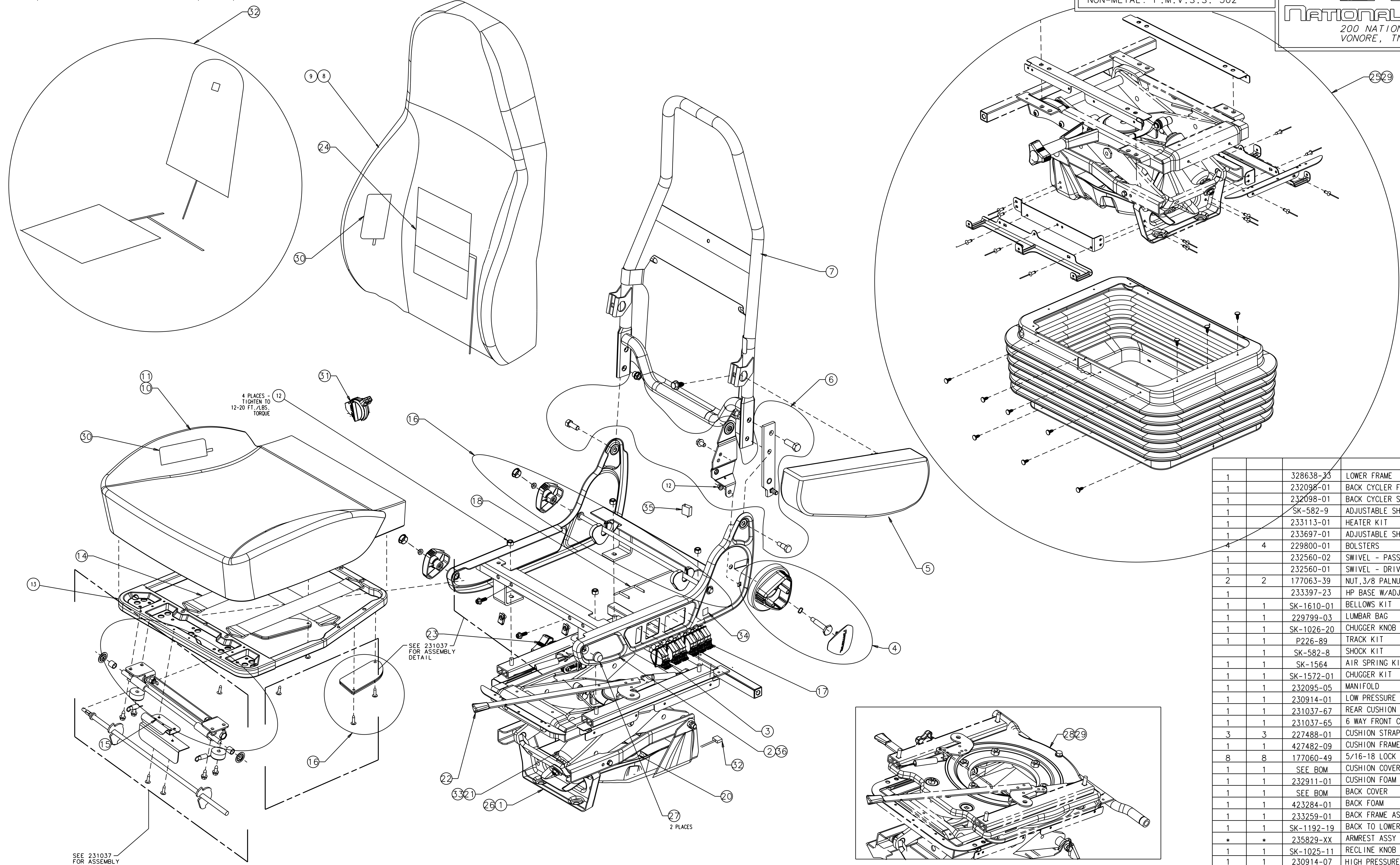
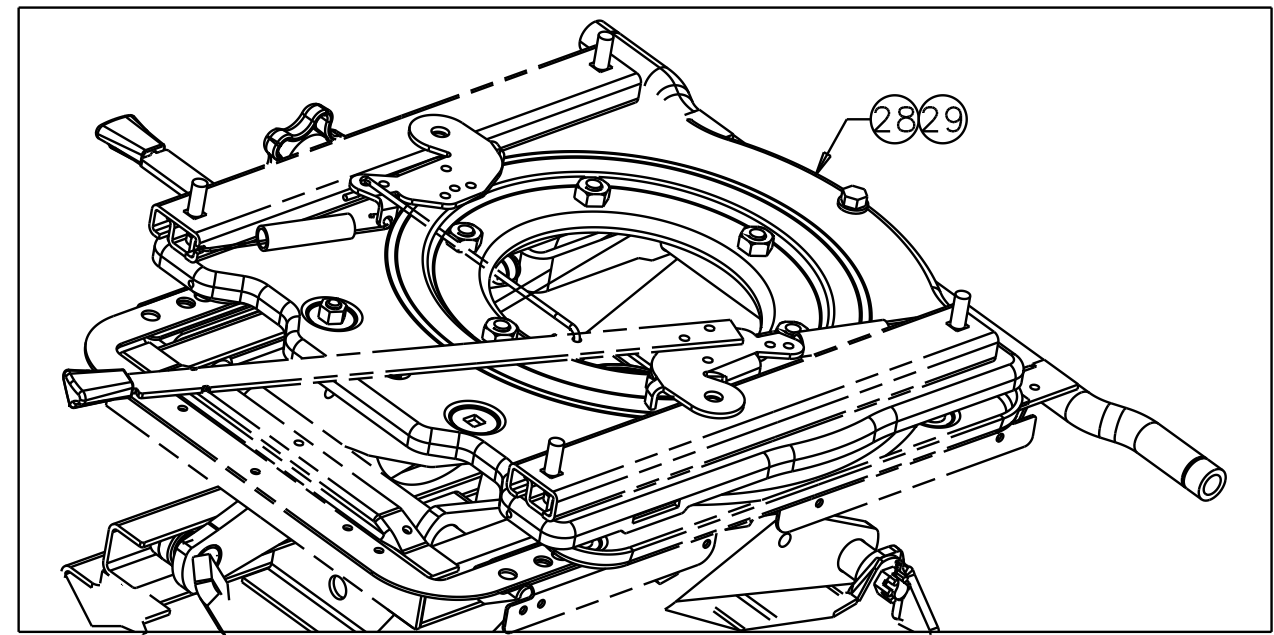


PART NO.	DESCRIPTION
----------	-------------

-STANDARD MATERIAL REQUIREMENTS-  
 METAL: NO BURRS PERMISSIBLE  
 NON-METAL: F.M.V.S.S. 302



QTY	PART NO.	DESCRIPTION	ITEM	
1	328638-33	LOWER FRAME	36	
1	232098-01	BACK CYCLER FLUIDIC DEVICE	35	
1	232098-01	BACK CYCLER SWITCH	34	
1	SK-582-9	ADJUSTABLE SHOCK KIT	33	
1	233113-01	HEATER KIT	32	
1	233697-01	ADJUSTABLE SHOCK ASSEMBLY	31	
4	4	229800-01	BOLSTERS	30
1	232560-02	SWIVEL - PASSENGER	29	
1	232560-01	SWIVEL - DRIVER	28	
2	2	177063-39	NUT, 3/8 PALNUT	27
1	233397-23	HP BASE W/ADJ. SHOCK	37	
1	1	SK-1610-01	BELLOWS KIT	25
1	1	229799-03	LUMBAR BAG	24
1	1	SK-1026-20	CHUGGER KNOB KIT	23
1	1	P226-89	TRACK KIT	22
1	1	SK-582-8	SHOCK KIT	21
1	1	SK-1564	AIR SPRING KIT	20
1	1	SK-1572-01	CHUGGER KIT	19
1	1	232095-05	MANIFOLD	18
1	1	230914-01	LOW PRESSURE - BLACK	17
1	1	231037-67	REAR CUSHION ADJUSTOR KIT	16
1	1	231037-65	6 WAY FRONT CUSHION ADJUSTOR KIT	15
3	3	227488-01	CUSHION STRAPS	14
1	1	427482-09	CUSHION FRAME ASSY	13
8	8	177060-49	5/16-18 LOCK NUT	12
1	1	SEE BOM	CUSHION COVER	11
1	1	232911-01	CUSHION FOAM	10
1	1	SEE BOM	BACK COVER	9
1	1	423284-01	BACK FOAM	8
1	1	233259-01	BACK FRAME ASSY	7
1	1	SK-1192-19	BACK TO LOWER KIT	6
*	*	235829-XX	ARMREST ASSY	5
1	1	SK-1025-11	RECLINE KNOB KIT	4
1	1	230914-07	HIGH PRESSURE VALVE ASSY - RED	3
1	1	328638-17	LOWER FRAME WELDMENT	2
1	1	233397-19	HP BASE ASSEMBLY W/STANDARD SHOCK	1

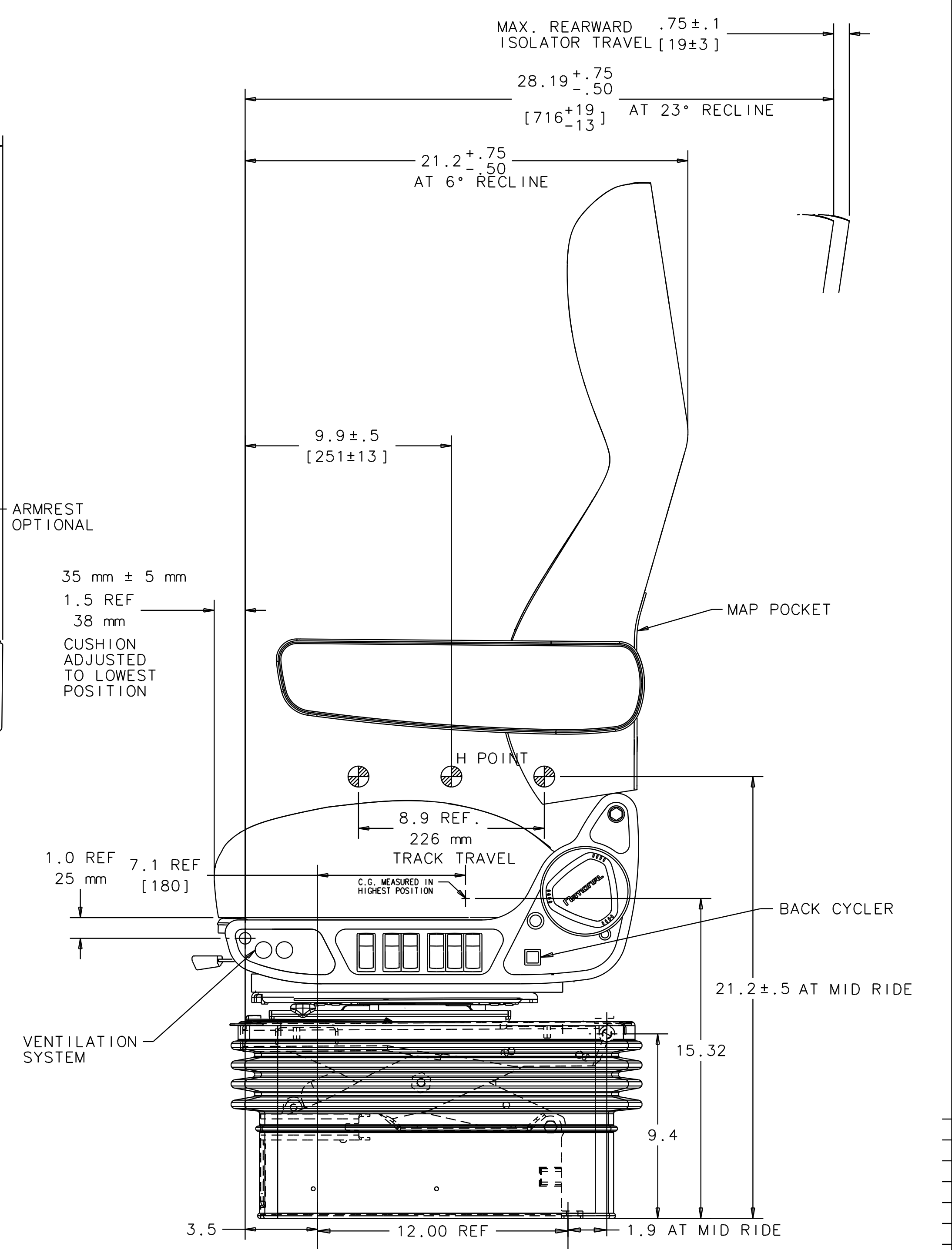
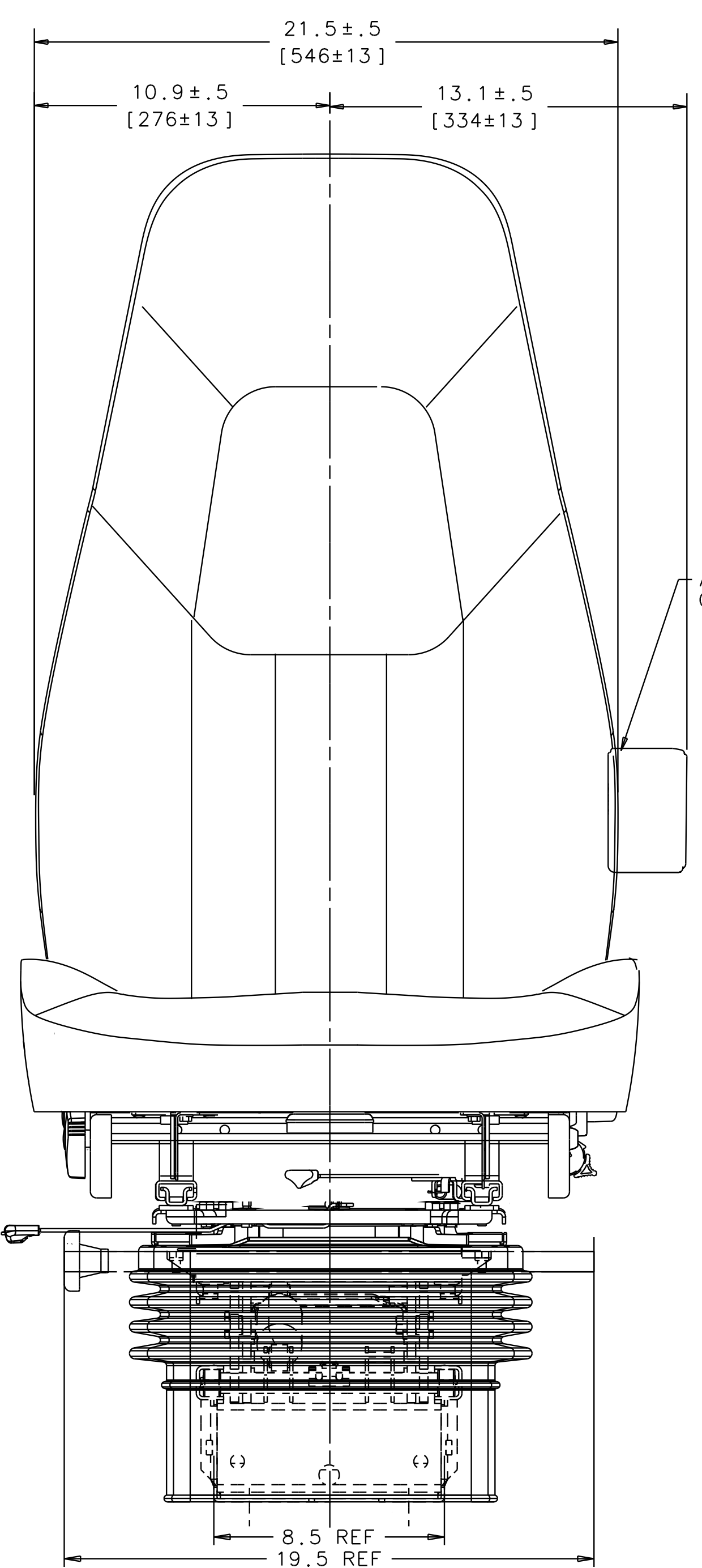
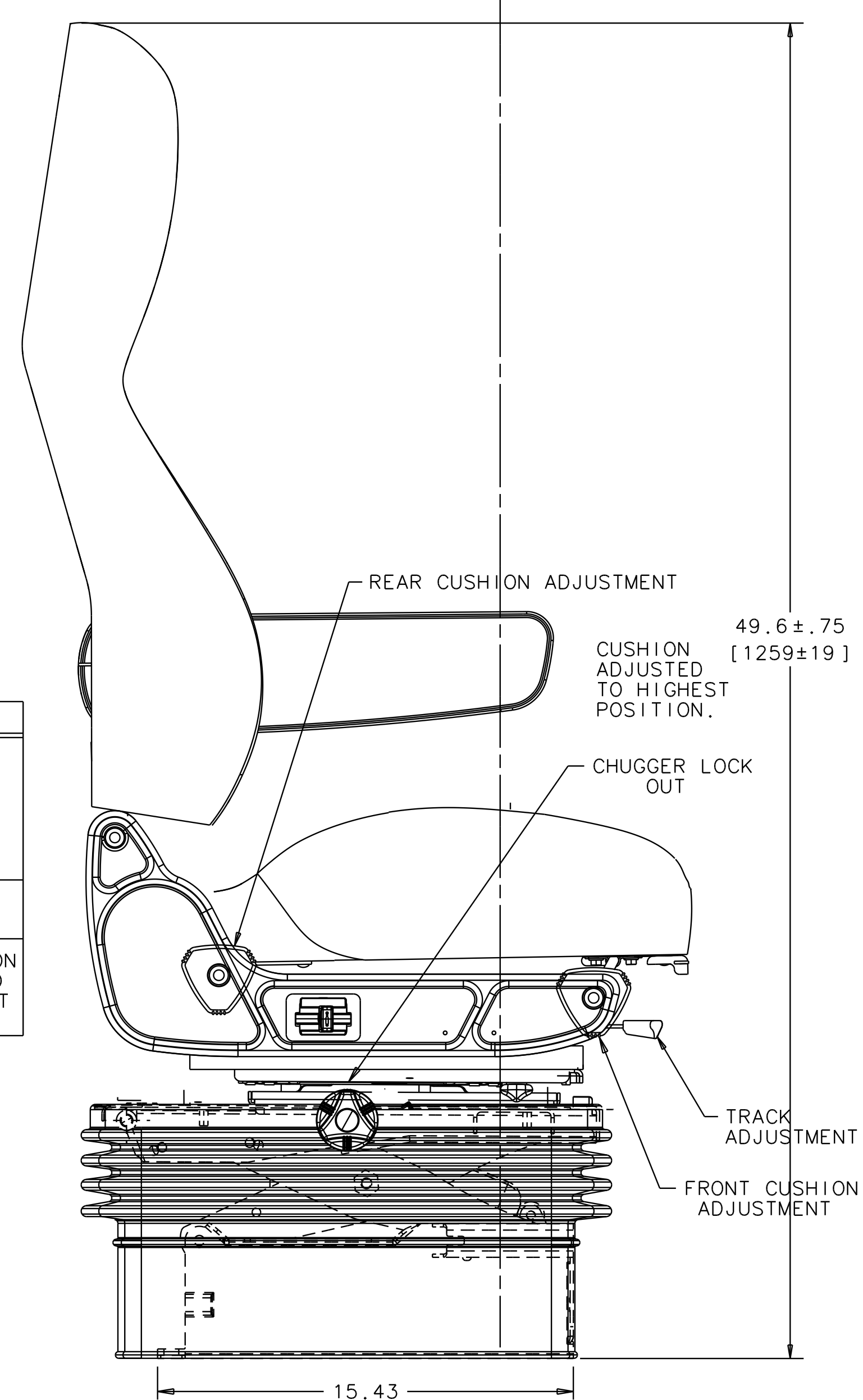
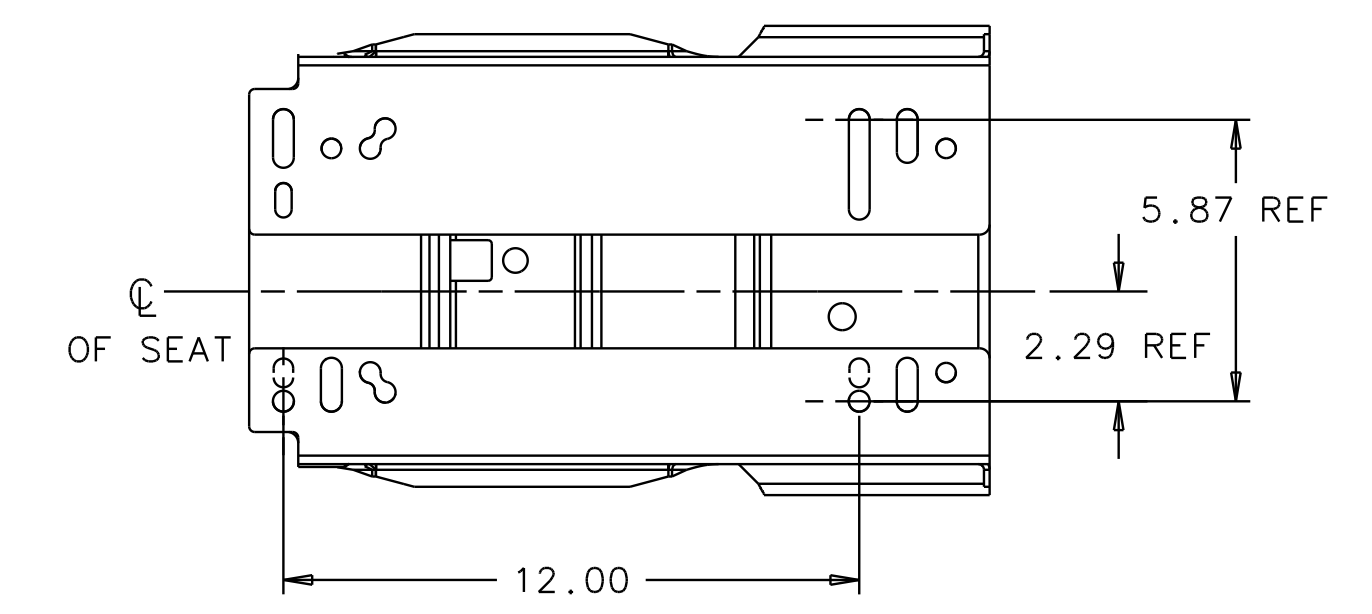


* ORIGINAL	DATE - BY
SYM CHANGE	(E.C.N. - DATE - BY)

TOLERANCES	DO NOT SCALE	REQUIRED	SCALE	NAME	PROJECT/LIBRARY	CORE PARTS & SERVICE / TRUCKS	PART NO.	REV.	
DECIMALS 1/16 - 1/32 1/64 - 1/128 1/256 - 1/512	FRACTIONS 1/2 - 1/4 3/8 - 1/8 1/4 - 1/8 1/2 - 1/4	DRAWN BY TMW	SCALE *	DATE 5/9/13	NAME CORE PARTS & SERVICE / TRUCKS	PROJECT/LIBRARY CORE PARTS & SERVICE / TRUCKS	COMMODORE & ADMIRAL SERVICE COMPONENTS	SK-1624	*

PART NUMBER	DESCRIPTION
40149.051	GREY/GREY LEATHER
40149.052	RED/TAN LEATHER
40149.053	BLUE/GREY LEATHER
40149.054	TAN/TAN LEATHER
40149.055	BLACK/BLACK LEATHER
40149.056	BLACK/GREY LEATHER
40149.057	BLACK/TAN LEATHER
40149.061	GREY MORDURA
40149.062	RED MORDURA
40149.063	BLUE MORDURA
40149.064	TAN MORDURA
40149.065	BLACK MORDURA
40149.066	BLACK/GREY MORDURA
40149.067	BLACK/TAN MORDURA
40149.351	GREY/GREY LEATHER W/BOTH ARMS
40149.352	RED/TAN LEATHER W/BOTH ARMS
40149.353	BLUE/GREY LEATHER W/BOTH ARMS
40149.354	TAN/TAN LEATHER W/BOTH ARMS
40149.355	BLACK/BLACK LEATHER W/BOTH ARMS
40149.356	BLACK/GREY LEATHER W/BOTH ARMS
40149.357	BLACK/TAN LEATHER W/BOTH ARMS
40149.361	GREY MORDURA W/BOTH ARMS
40149.362	RED MORDURA W/BOTH ARMS
40149.363	BLUE MORDURA W/BOTH ARMS
40149.364	TAN MORDURA W/BOTH ARMS
40149.365	BLACK MORDURA W/BOTH ARMS
40149.366	BLACK/GREY MORDURA W/BOTH ARMS
40149.367	BLACK/TAN MORDURA W/BOTH ARMS

NOTES:  
 1) H POINT MEASUREMENT IS TAKEN WITH BACK RECLINE FULL FORWARD, TRACK ADJUSTED TO CENTER AND SUSPENSION BASE IN MID-RIDE POSITION.  
 2) REFER TO COMPUTER B.O.M. FOR EACH SPECIFIC SUFFIX NUMBER.



PART NO. FOR UPPERS ONLY IS 4U049.XXX

**STATEMENT OF COMPLIANCE**  
 THIS SEAT HAS BEEN TESTED TO THE APPLICABLE D.O.T. SPECIFICATIONS OF FEDERAL MOTOR VEHICLE SAFETY STANDARD 207 AND 210, AND WILL SURPASS THE LOAD REQUIREMENTS STATED THEREIN, PROVIDING THE SEAT IS MOUNTED WITH TETHER BELTS WITHIN PROPER LIMITS. COMPLIANCE BASED ON REGULATIONS IN EFFECT AT TIME OF MANUFACTURE.  
 THE MATERIAL IN THIS SEAT AS ORIGINALLY MANUFACTURED CONFORMS TO THE REQUIREMENTS OF F.M.V.S.S. 302.  
 NOTE: REF. DIMENSIONS PROVIDED FOR PRODUCT IDENTIFICATION PURPOSES. ALL REF. DIMENSIONS ARE TO DESIGN NOMINAL AND TO UNTRIMMED SEATS. CUSTOMER TRIM VARIATIONS WILL AFFECT DIMENSION POINTS ON FINISHED SEATS.

BLACK POWDER COAT FINISH TO ADHERE TO FOLLOWING SPECS.

CHARACTERISTIC	METHOD	REQUIREMENT
HUMIDITY	ASTM D 4584	ASTM D714 8 MEDIUM OR BETTER
ADHESION	ASTM D 3359 B	MIN. 4B
HARDNESS	ASTM D 3363	2 HOURS OR BETTER

NOTE: SUSPENSION TRAVEL FROM MID RIDE 3.0 (76.2 MM)

FRONT CUSHION ADJUSTER

FCA TYPE	FWD ADJ	HGT ADJ
6 POS	2.0	1.1

SEAT WEIGHT: 81.8 LBS. ± 2 LBS. (36.0 Kg ± 1 Kg)  
 ARMRESTS: 2.5 LBS. ± .2 LBS. (1.1 Kg)  
 SHROUD & BELLOWES: 7.4 LBS. (3.3 Kg)  
 REAR CUSHION ADJUSTER: 1 LB. (.4 Kg)

ORIGINAL RELEASE (11-1092,7/21/11,TW)  
 SYM CHANGE (E.C.N. - DATE - BY)

TOLERANCES		REQUIRED		DO NOT SCALE		CUSTOMERS.AFTERMARKET / QSCALES	
DECIMALS	FRACTIONS	DRAWN BY	SCALE	NAME	DATE	PART NO.	REV.
3x .01	1/32	T.WHITE	1:4			15HP AFTERMARKET ADMIRAL DRIVER W/VENTILATION	40149
2x .005	1/64	CHECKED BY					*