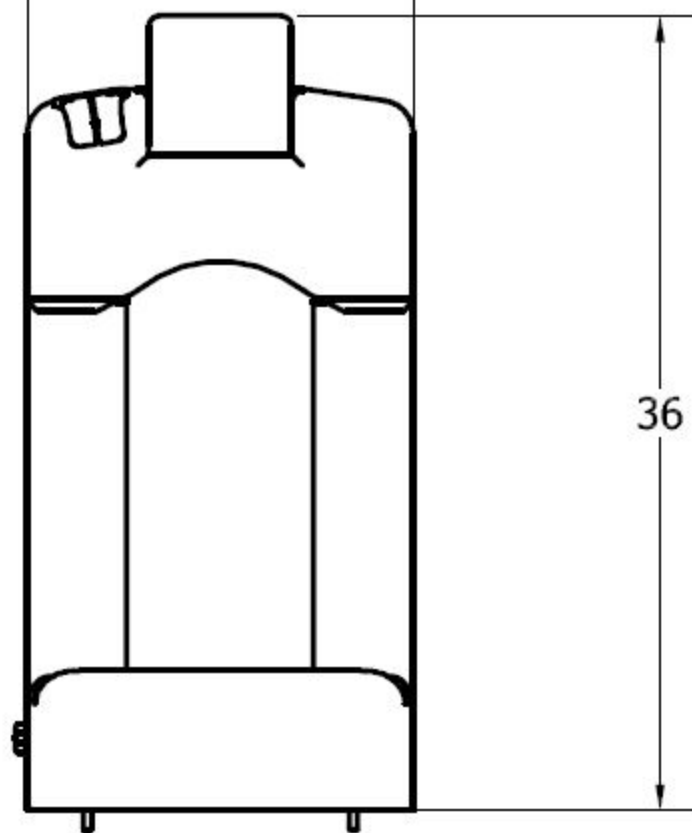
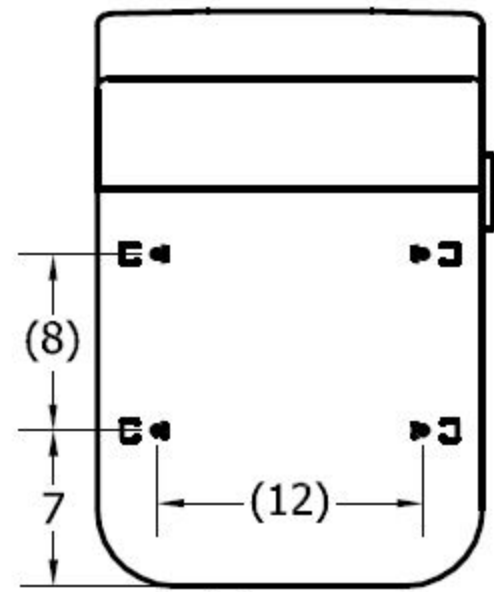


$17\frac{1}{2} \pm 1/2$



36

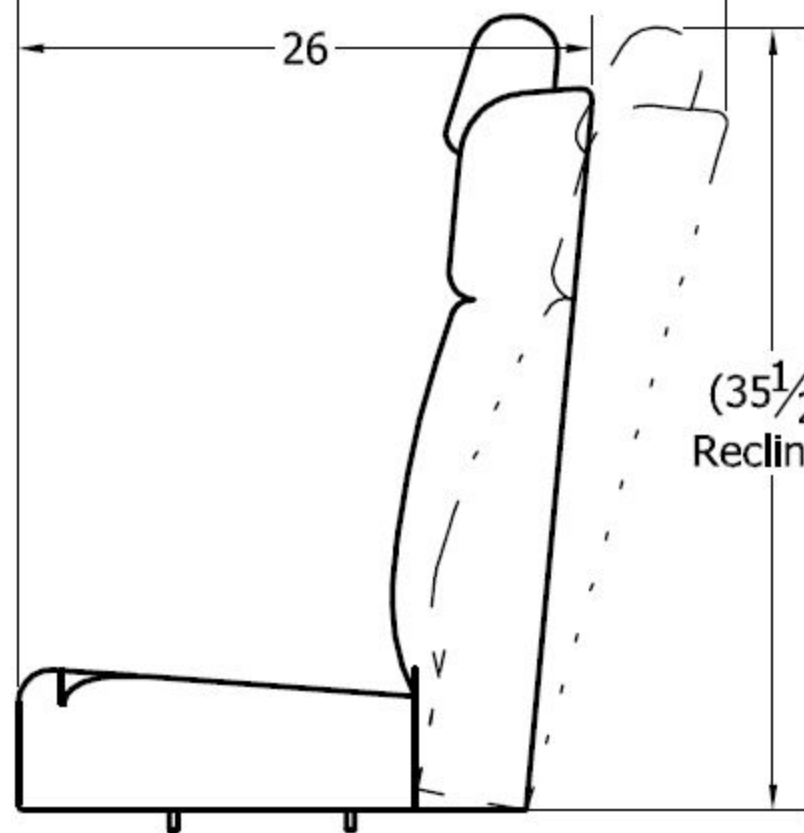


(8)

7

(12)

$(32\frac{1}{4})$
Reclined



26

$(35\frac{1}{2})$
Reclined

