

# The GLITZ

## Mid/High and High/Back Seats

- Ultra comfortable Ritz seat bottom foam
- New "Ritz style" cover with highlighted side bolster
- Compatible with all Feather Weight mid/high and high/back seat options
  - Rigid or recliner with space saving knee saver back
  - Fits on existing Feather Weight frames, easy retrofit



Not Just Seats



THE FEATHER WEIGHT SERIES BY

Seating Solutions™

# The GLITZ

## Mid/High and High/Back Seats

Let every rider sit in First Class with the GLITZ Seat. Soft, luxurious and elegant, are just a few words that come to mind when describing the GLITZ. Designed to fit most any type of vehicle, the GLITZ is available as a rigid or recliner and matches the Salon Seat. While 17½" is standard, it can also be ordered in any of three custom widths, 16", 18" and 19" for wider buses.

### Standard Features:

- Bolstered high quality polyurethane seat and back cushions for comfort and support
- Wire mesh-grid seat springs for even support
- FMVSS 210 compliance
- Covers that can be removed and replaced easily without the use of special tools
- Coordinating map pocket (made from the seat trim material)

### Options:

- Upholstered Ritz or US flip-up arm
- Snack trays
- Aluminum footrests
- U.S.R.-Under Seat Retractors
- Regular lap or retractable seat belts
- Side sliders
- CRS-225 hooks and tethers
- Cup holders
- Seat belt loops
- 16", 18" and 19" wide seat cushions
- Rigid or reclining backrests
- Wide variety of cloths, vinyls and leather
- MP3 (iPod) holder sewn into the armrest

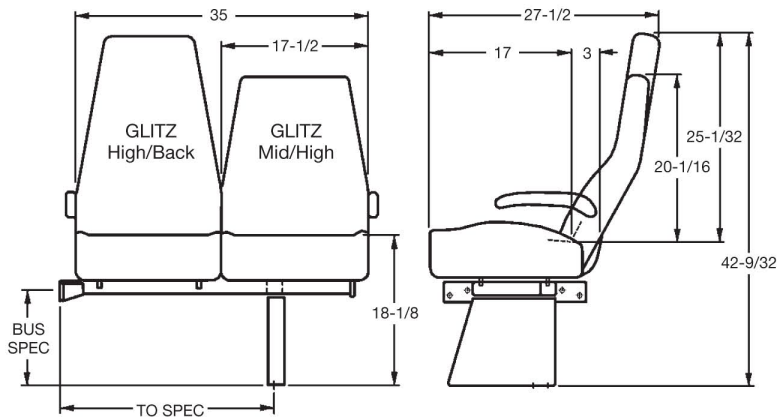
GLITZ Mid/High

GLITZ High/Back

**NEW!**



GLITZ mid/high seats for limo and executive shuttle with contrasting inserts



We are constantly updating and improving our seats; therefore we reserve the right to change or modify specifications or materials without notice. All seats meet or exceed FMVSS standards.

Not Just Seats



THE FEATHER WEIGHT SERIES

Seating Solutions™