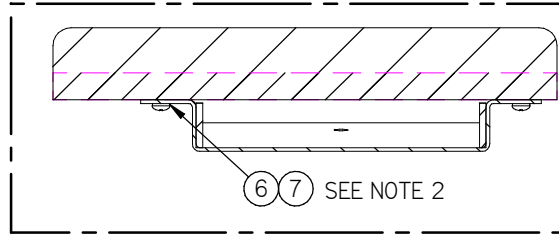
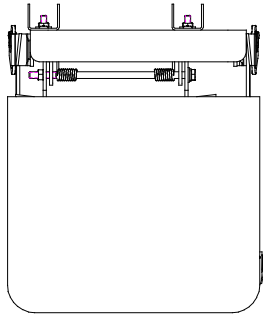
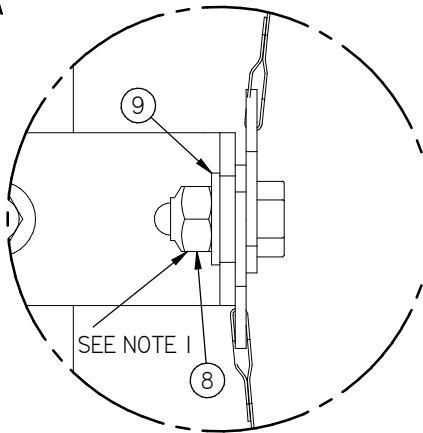
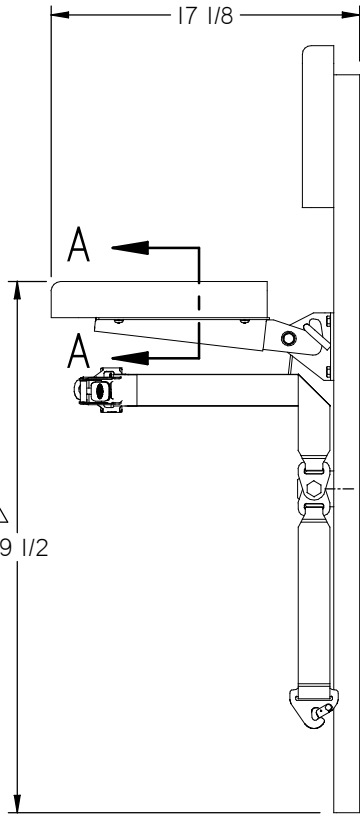
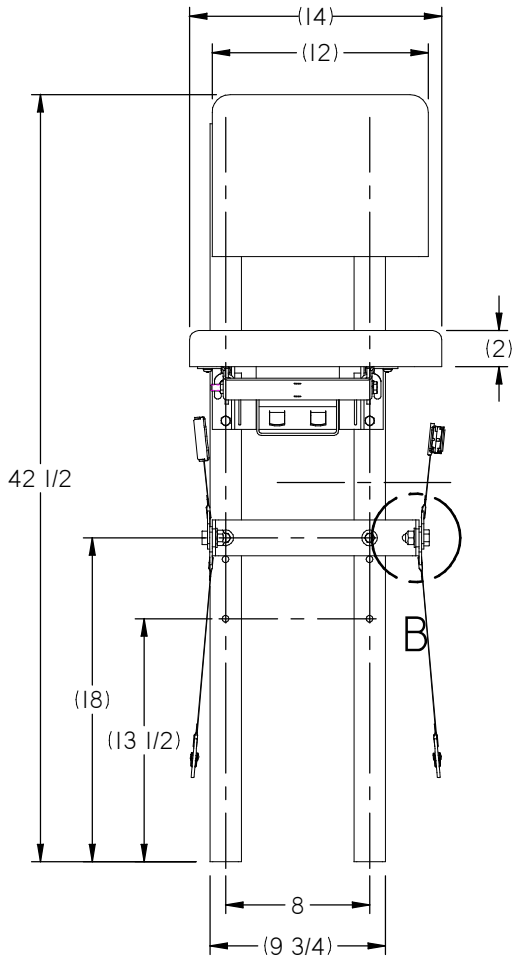
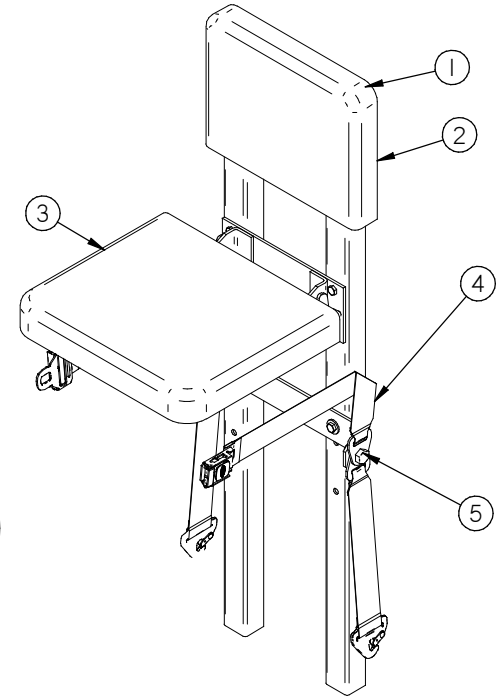


NOT TO BE USED, DISCLOSED OR REPRODUCED WITHOUT PERMISSION.  
PROPERTY OF FREEDMAN SEATING COMPANY.

REV.	DATE	ECN	DESCRIPTION	BY	CHKD.	APPD.
A	03/16/1987		RELEASED TO PRODUCTION	KARIM		
	12/10/2008		REDRAW IN SOLID EDGE	BM	RD	RD
B	05/11/2010	ECN 1259	REVISED BOM, NAME, NOTES, 29 1/2 WAS 29	NW	SC	RD



SECTION A-A



DETAIL B

9	2	120396	1/2, WASHER, FLAT, SAE, ZP
8	2	9422301	1/2-13UNC, PREV TORQUE, G8
7	8	99105	1/4-20UNC x 3/4 PAN HEAD MACHINE SCREW, ZP
6	4	120380	1/4, WASHER, LOCK, REG SPRING, ZP
5	2	10083	SCREW, CAP, HEX HEAD, 1/2-13 x 2, G8, ZP
4	1	17091	SEAT BELT ASSY
3	1	12306	ASSY, CUSH, JUMPER, SEAT, 10"
2	1	12305	ASSY, CUSH, JUMPER, BACK, 10"
1	1	12315	ASSY, 8" STD JUMPER FRAME
ITEM	QTY	PART #	DESCRIPTION

NOTE(S)  
1) TORQUE SPECIFICATIONS 26-31 FT-LBS.  
2) TORQUE SPECIFICATIONS 6-8 FT-LBS

Tolerances Unless Otherwise Specified:  
Fraction: 1/XX +/- 1/4  
Decimal: XXX +/- 0.25  
      XXXX +/- 0.250  
Angular +/- 1 Degree

DRAWING NAME: ASSY, 8" FSC JUMPER, W/ SEAT BELT

MATERIAL:	Freedman Seating Co. 4345 W. Augusta Blvd Chicago, IL 60651		PROJECTION
SPECIFICATION:	ECN	REF.	SUPERSEDES
BY: mcahw	DATE: 9/17/2009	CHECKED:	APPROVED:
SIZE: C	Drawing No. 12335		REV. B
SCALE: NOT TO SCALE	BM	CODE	ISSUE DATE
			SHEET: 1 of 1