

PSC-DM-I-WS-200-BLE-xx Series | Wireless PIR 2-Button Dimmer Wall Switch

### Basic Features

- PIR Sensor
- Bluetooth Mesh
- Manual on/off (wireless)
- Dim up/down (wireless)
- LED status indicator light
- Mounts in any standard wall box
- Color: white



Suitable for Indoor Use Only

### Applications

PSC-DM-I-WS-200-BLE-xx Bluetooth mesh PIR wall switches provide automatic lighting control for a variety of indoor applications. They can replace any standard single-pole wall switch. 2-Button can be used for On/Off, dimming, scenes and color tuning controls. The configurations of each button can be personalized at the field.

PIR detection is best suited for areas with (1) clear line of sight, and (2) good air circulation. Typical applications include classrooms, copy rooms, offices, conference rooms, and private restrooms.

### Operation

The device connects to a Bluetooth mesh network to control all of the lights in a specific zone. The unit also functions as a dimmer to override the pre-configured motion sensor settings

End Users can program length of time delays, sensor range, fade time, scene control and other settings using Bluetooth low energy Android or iOS apps.

The device will be configured for standard default settings. The user can override these settings using the Bluetooth app to custom tailor their application.

Control Purpose: Operating

Control Construction: Independently mounted for flush panel mounting

Pollution Degree: PD2, Indoor

Impulse Voltage: 4000 V

Action Type: 1

### How to Order

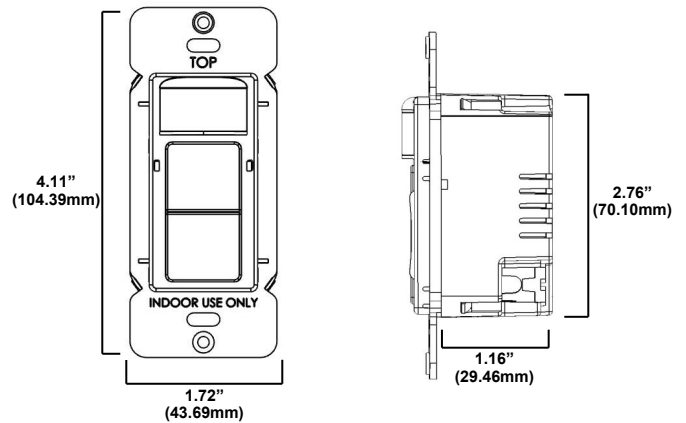
Model No.	Description	Input Voltage
PSC-DM-I-WS-200-BLE-xx	Wireless PIR 2-Button Dimmer Wall Switch Occupancy Sensor	120-277 VAC, 60Hz
<b>Please indicate Suffix for options on -xx:</b>		
-SR / -FSR	For Bluetooth Mesh in TruBlu™ Enabled Version / For Bluetooth Mesh in Future-Silvair Enabled Version	
-CB	For Bluetooth Mesh in Casambi Enabled Version	

Summary	
Sensor Type	PIR occupancy sensor
Input Voltage   Power Consumption	120-277 VAC, 50/60Hz   Max 1.5W
Max Range*	48ft x 36ft @ 3.5ft mounting height (14.6m x 11m @ 1.1m mounting height)
Max Bluetooth Range**	49 ~ 65ft (15 ~ 20m)
Operating Temperature	0° to 55°C
Storage Temperature	-10° to 60°C
Relative Humidity	95% non-condensing
Mounting	Standard wall box
Color	White
Warranty	5 years

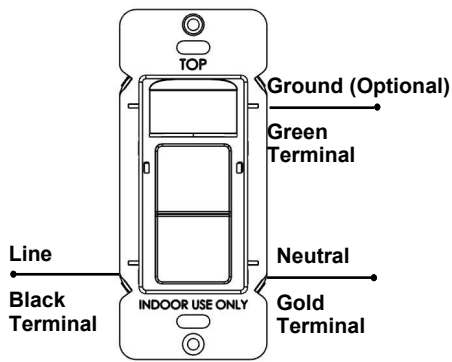
\*Results may vary based on mounting height, temperature, angle, floor material, and line of sight

\*\*Bluetooth Range is highly dependent on the integration of fixtures, surrounding environment and conditions. It is recommended to conduct testing for range accuracy.

### Physical Dimensions



### Wiring Diagram



### Detection Area

