

# Wireless Fixture Controller with Long Range Antenna

## Overview

- 1 Channel 0-10VDC Dimming
- Mount in Fixture
- Casambi Wireless Mesh
- High-End Trim, Zoning, Continuous Dimming
- Active High Output for Relay drive
- 5dBi, IP65 long range Antenna
- ioXt Alliance cybersecurity certification



Controller Suitable for In-Fixture Use Only  
Antenna IP65 (Extended Range Outside of Fixture)



## Applications

The (PSC-WCM-50-BLE-CB/EXA) Wireless Fixture Controller allows for one channel of 0-10 dimming, and high relay control. This device comes with a 5dBi long range antenna, IP65, 7.87 in. (200mm) in length with maximum range of 900 ft (274.32m).

PSC-WCM-50-BLE-CB/EXA is controlled wirelessly via Casambi Mesh technology allowing for wireless dimming of LED lighting. The compact size allows for seamless integration mounting in the light fixture.

Specifically designed for outdoor lighting, this controller with long range wireless mesh antenna improves outdoor motion detection by facilitating the integration of mesh networked sensors. Users can deploy cost-effective, robust wireless mesh control across outdoor applications of all sizes.

## Accessories

**Power Pack:** The PSC-WCM-50-BLE-CB operates on 12-24VDC.

These fixture controllers require a separate power pack such as the McWong PacWave™ PSC-AC-PP-200/400/700C/800/900.

Alternatively, the controller can operate with a driver that has an auxiliary output

## Operation

**Casambi Wireless Mesh Controls:** The controller connects to a Low Energy (BLE) wireless mesh network via a mobile app, available as iOS or Android, to allow initial setup and subsequent parameters adjustments.

**User Interface:** Using the mobile app, features include: setup, control real time feedback, and scheduling without a gateway or internet access.

**1 Channel Dimming:** allows for one 0-10 dimming channel for zone control.

**Relay Control:** High control output can be used to trigger relays or other control circuitry.

See the McWong Casambi Commissioning User Manual for more information.

## Summary

Product Type:  
Wireless Fixture Controller

Input Voltage | Current Consumption:  
12-24 VDC | 100 mA

0-10V Output: 100 mA

Output Control High: Vin-2.5 V  
100 mA source for sensor or relay

Mounting: Controller fixture mount, antenna mounts outside of fixture to maximize range

Max Wireless Range<sup>1</sup>:  
900ft (274.32m)

Operating Temperature:  
-30° C to 70° C

Storage Temperature:  
-40° C to 80° C

Relative Humidity:  
90-95% non-condensing

Color: White

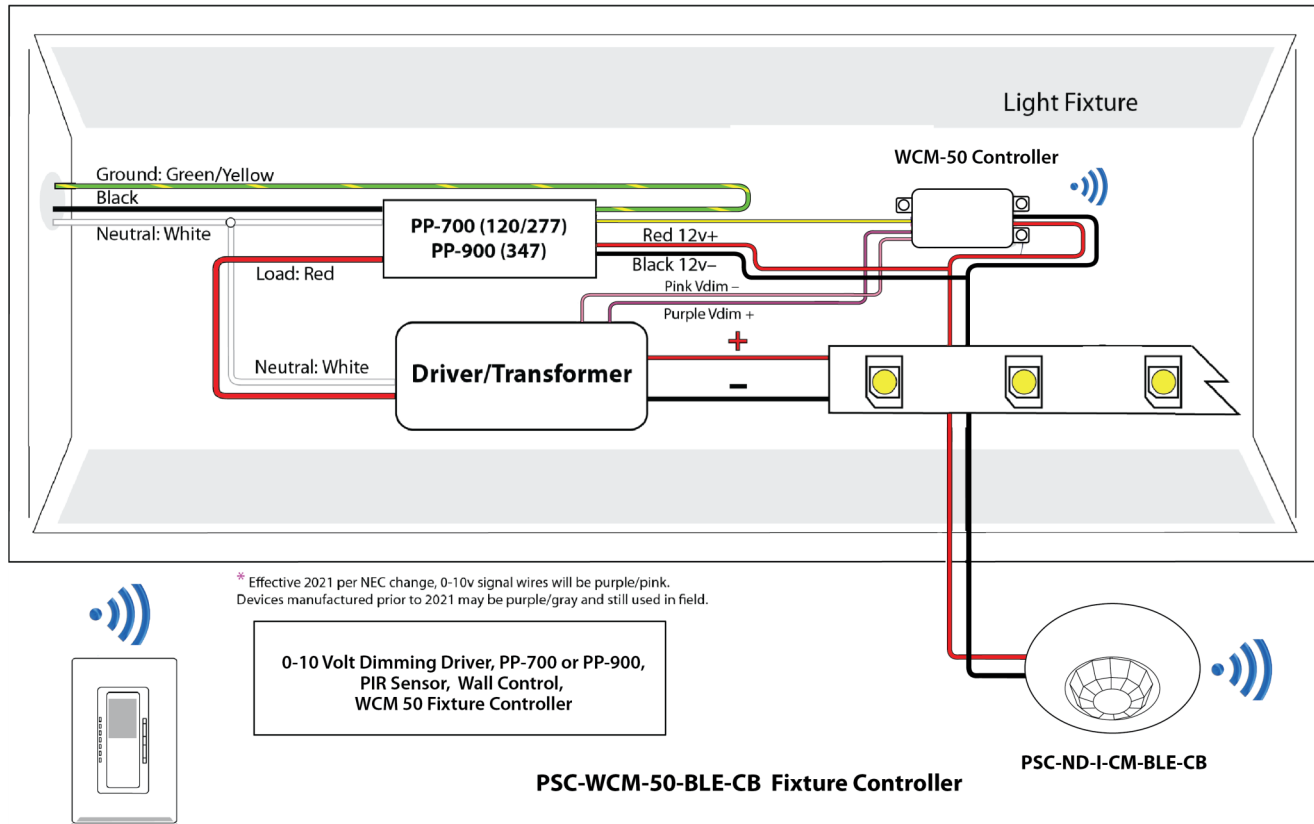
Warranty: 5 years

Note:  
1. Wireless Range is highly dependent on the integration of fixtures, surrounding environment and conditions. It is recommended to conduct testing for range accuracy.

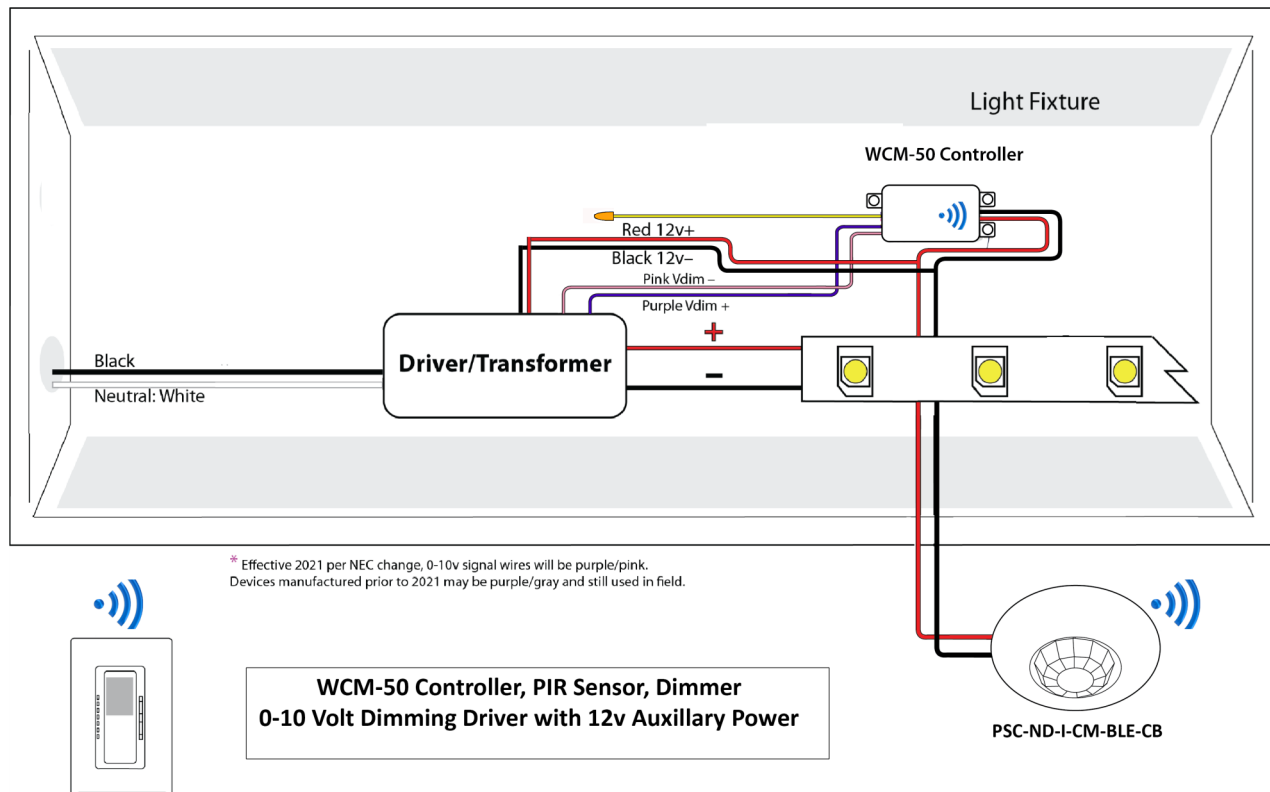
Project

Location/Type

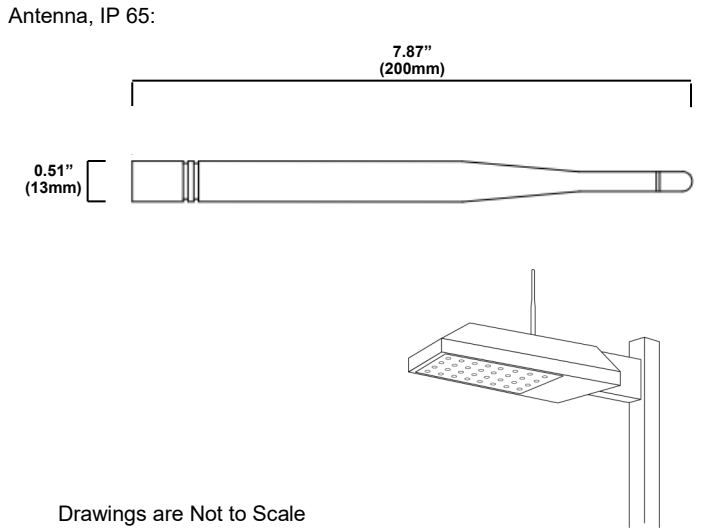
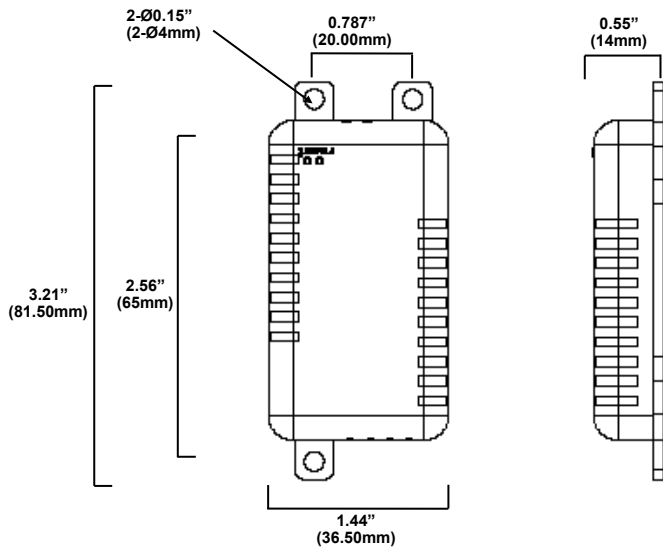
**Wiring Diagram**



**Wiring Dim to Off Driver with 12v Auxiliary Power**



**Physical Dimensions**



**How to Order**

Model No.	Description	Input Voltage	Dimming Output	Output
PSC-WCM-50-BLE-CB/EXA	Fixture Controller, Single Channel, Long Range Antenna, Casambi Wireless Mesh	12-24VDC	0-10V, 100mA	Control High Vin2.5 V 100 mA source

For Line to Low Voltage Power Supply/Controller, please check McWong PacWave™ PSC-AC-PP-200/400/700C/800/900.

Design and specifications are subject to change without notice.