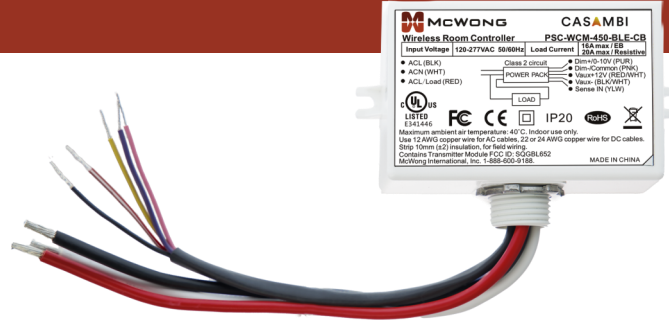


# Wireless Room Controller 20A

## Overview

- 100-277VAC Input Voltage
- 0-10V Output to LED Driver
- Relay with Zero-Crossing
- Active High Output for Relay Drive
- 12V aux Power (PSC-WCM-450-BLE-CB)
- Sensor Input (PSC-WCM-450-BLE-CB)
- Casambi Bluetooth Mesh



Suitable for Indoor Use Only



## Applications

The Wireless Room Controller (PSC-WCM-4x0-BLE-CB) is made to fit into a Casambi Bluetooth mesh system for wireless control of room lighting.

With input voltage of 100-277VAC, this unit is controlled wirelessly via a Casambi Bluetooth Mesh module, allowing for wireless dimming of LED lighting and seamless integration of Casambi Bluetooth Mesh software solutions. The unit comes with a threaded nipple for junction box mounting.

The PSC-WCM-450-BLE-CB offers additional features, including 12V 300mA auxiliary power supply for sensors or other products and sensor input.

## Operation

**Casambi Bluetooth Mesh Controls:** The controller connects to a Casambi Bluetooth Mesh network via a mobile app, available as iOS or Android, to allow initial setup and subsequent parameters adjustments.

**User Interface:** Using the mobile app, features include: setup, control real time feedback, and scheduling without a gateway or internet access.

**1 Channel Dimming:** allows for one 0-10 dimming channel for zone control.

**Relay:** 20A relay to control multiple fixtures in the zone.

**Active High:** Active High relay for triggering other devices.

Low voltage wires are in heat shrink tubing as a barrier from line voltage wiring (UL approved).

See the McWong Casambi Commissioning User Manual for more information.

## Summary

Product Type:  
Wireless Room Controller

Input Voltage | Current Consumption:  
100-277VAC 50/60Hz | 100 mA

Auxiliary Power Supply: 12v 300mA for sensors

0-10V Output: 100 mA sink

Load (20A Relay) :  
@120/277VAC Max. 16A, E. Ballast, LED, CFL  
@120/277VAC Max. 20A, Resistive

Mounting: Junction box

Max Range<sup>1</sup>:  
100ft (30.4m)

Operating Temperature:  
-40° C to 70° C

Storage Temperature:  
-40° C to 85° C

Relative Humidity:  
90-95% non-condensing

Color: White

Warranty: 5 years

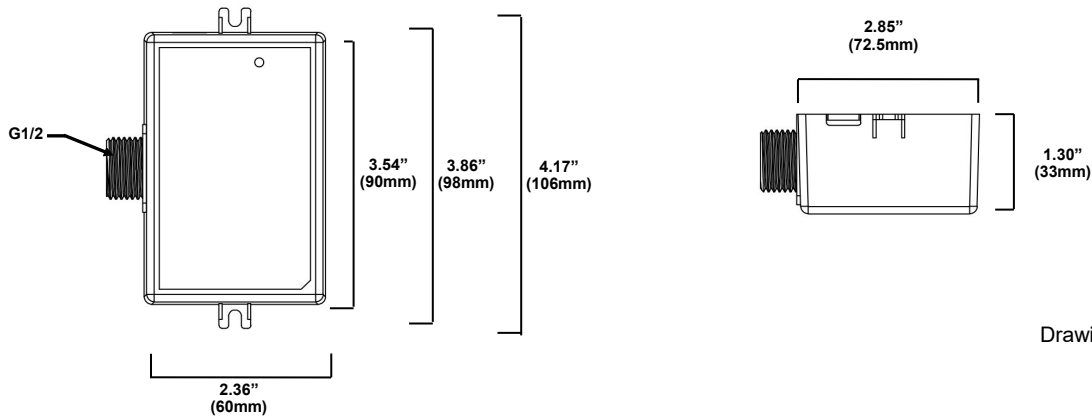
Note:

1. Bluetooth Range is highly dependent on the integration of fixtures, surrounding environment and conditions. It is recommended to conduct testing for range accuracy.

Project

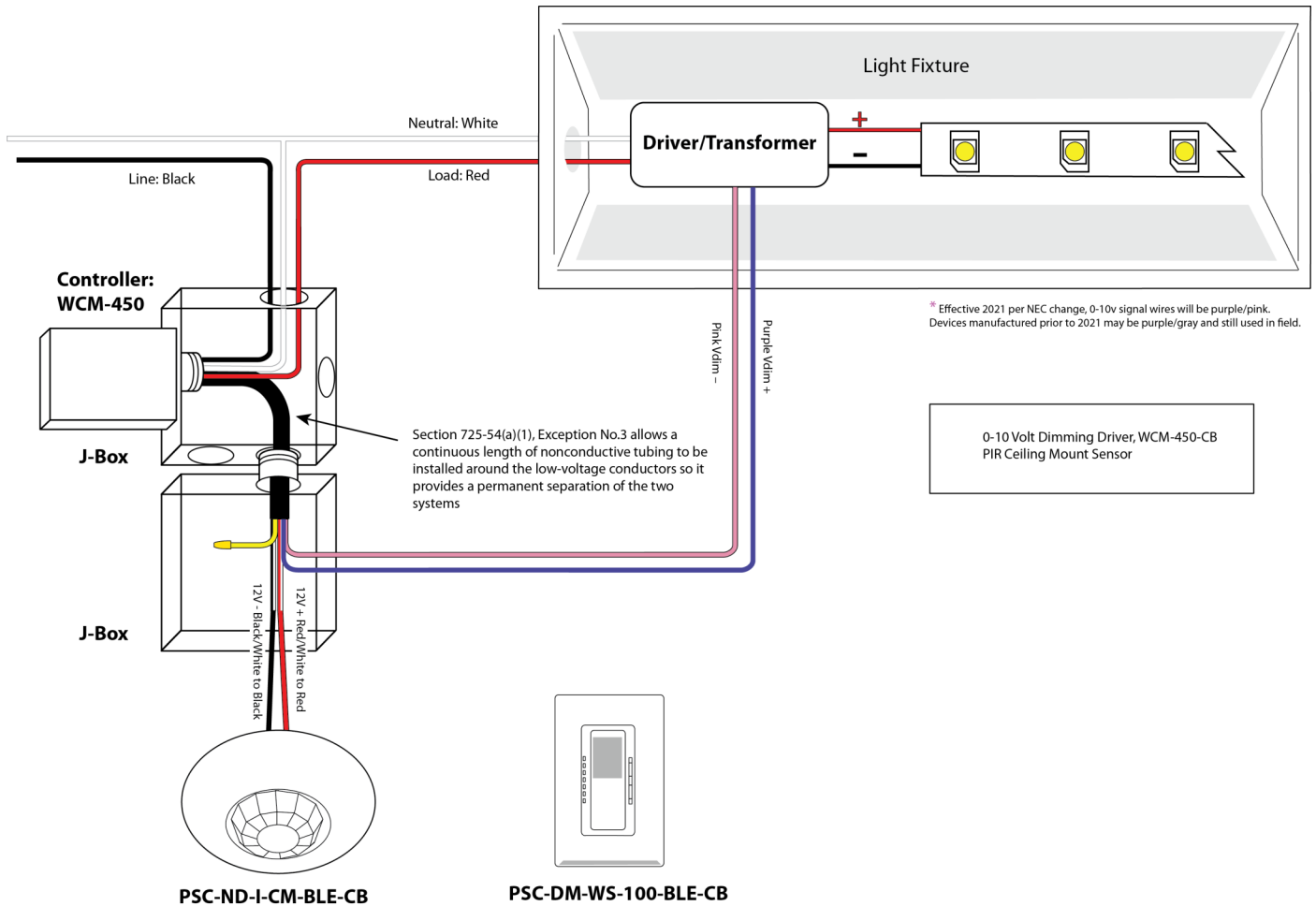
Location/Type

**Physical Dimensions**



Drawings are Not to Scale

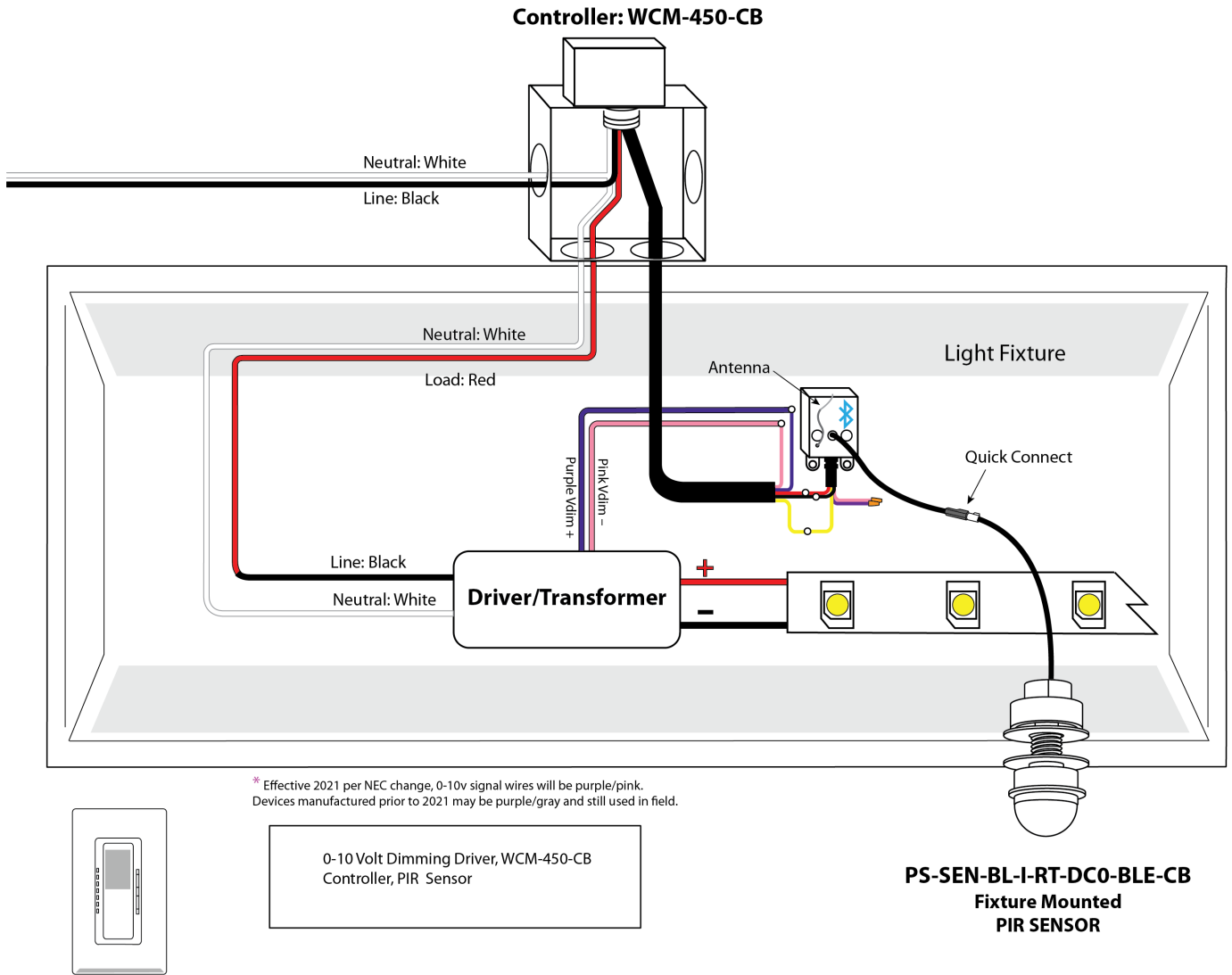
**Wiring Diagram**



Input Line Black, Input Common White, Load Red	12AWG, 180+/-20mm, Strip 10mm Tin Plated
Output 12V+ Red/White, Output 12V- Black/White, Sen Input Yellow, 0-10V+ Purple*, 0-10V- Pink*	22AWG, 180+/-20mm, Strip 10mm Tin Plated

\* Pink and Purple Leads on PSC-WCM-450-BLE-SR only

**Wiring Diagram**



**How to Order**

Model No.	Description	Input Voltage	Relay	Dimming Output	Aux. Output	Sensor Input
PSC-WCM-400-BLE-CB	Wireless Line Voltage Room Controller, Casambi technology partner	100-277VAC	20A	0-10V, 100mA	NA	NA
PSC-WCM-450-BLE-CB	Wireless Line Voltage Room Controller, Casambi technology partner	100-277VAC	20A	0-10V, 100mA	12V,300mA	YES

Design and specifications are subject to change without notice.