

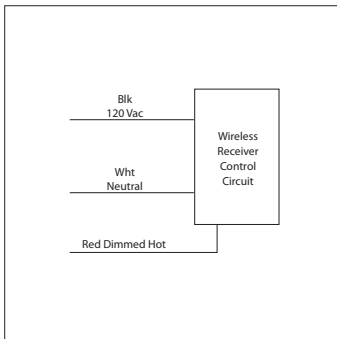
WIRELESS CONTROL PHASE ANGLE DIMMER

FDLR05BPD-CAS

Casambi 2.4 GHz Wireless Phase Angle Dimmer, 120 Vac Power Input, 600W Rated, Dimming Mode Selectable, NEMA 1 Housing



Powered by:
CASAMBI



SPECIFICATIONS

- Operating Temperature:** -30 to 122 F
- Humidity Range:** 5 to 95% (noncondensing)
- Red LED:** Identify Device
- Dimensions:** 4.00"H x 4.00"W x 1.81"D with 0.50" NPT nipple
- Housing Detail:** See **Housing C** in housing guide for dimensions
- Origin:** Made of US and non-US parts
- Wires:** 16', 600V rated
- Approvals:** UL Listed, UL916, C-UL, RoHS
- Agency Compliance:** FCC ID: 2ALA3-CBM003B
IC: 22496-CBM003B
- Housing Rating:** UL Accepted, NEMA 1
- Frequency:** 2.4 GHz
- Max Lighting Load:** 600W Incandescent/Halogen
Recommended 300W max for other dimmable lighting loads
- Min Lighting Load:** 1W
- Dim to off:** Yes
- Selectable Dimming Mode:** Yes
- Selectable Low Dim Threshold:** Yes
- Power Input Ratings:** 100mA @ 120 Vac; 60Hz

- Notes:**
- Compatible with Casambi 2.4 GHz
 - For setup instructions, see website for FDLR05BPD-CAS Application Manual
 - Casambi App available on iOS & Android
 - For help with Casambi App or commissioning, visit: support.casambi.com/support

TYPICAL APPLICATION

