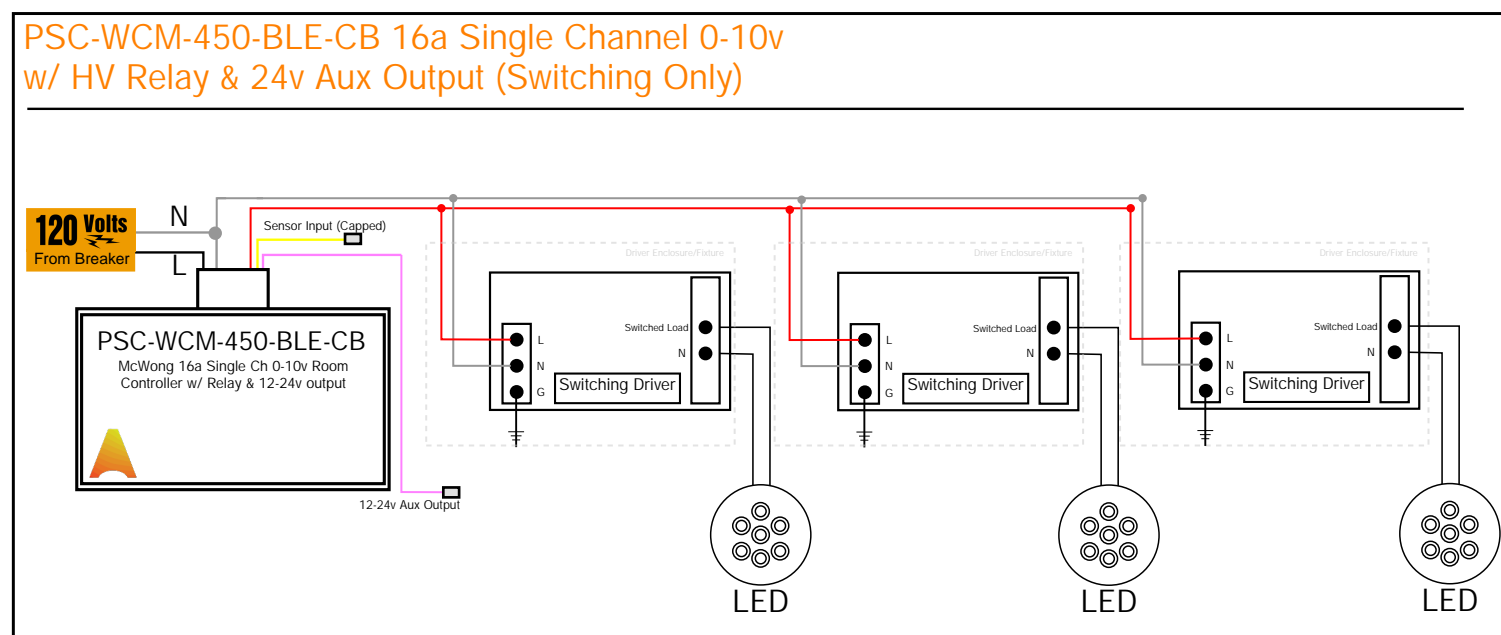
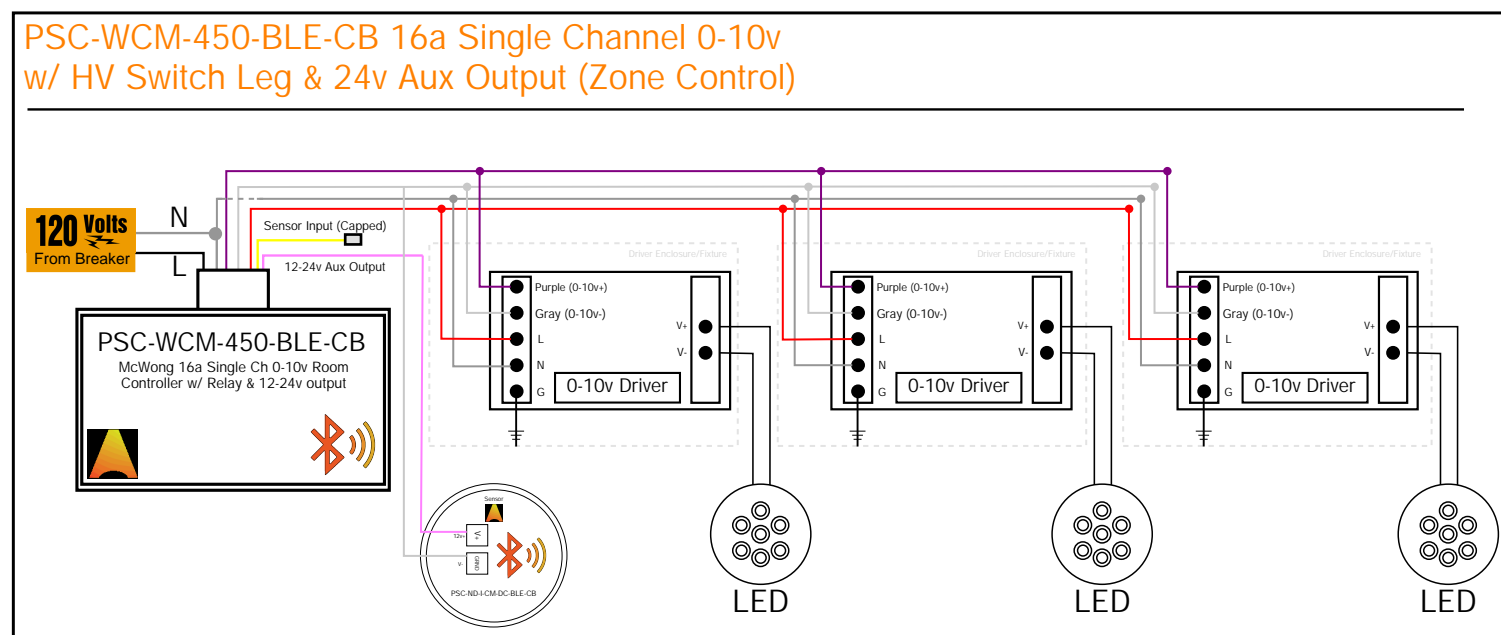


Phase Controllers - 0-10v w/ Aux & Sensor Conn.



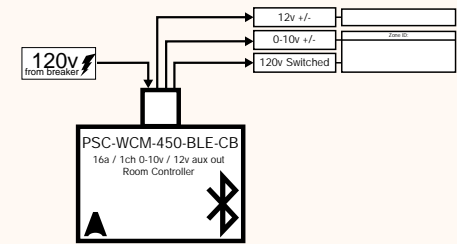
PSC-WCM-450-BLE-CB

Casambi Mesh Room Controller, 120-277 Volt with dimming, 12 volt Aux, Sensor input, Power Metering, 16A Relay

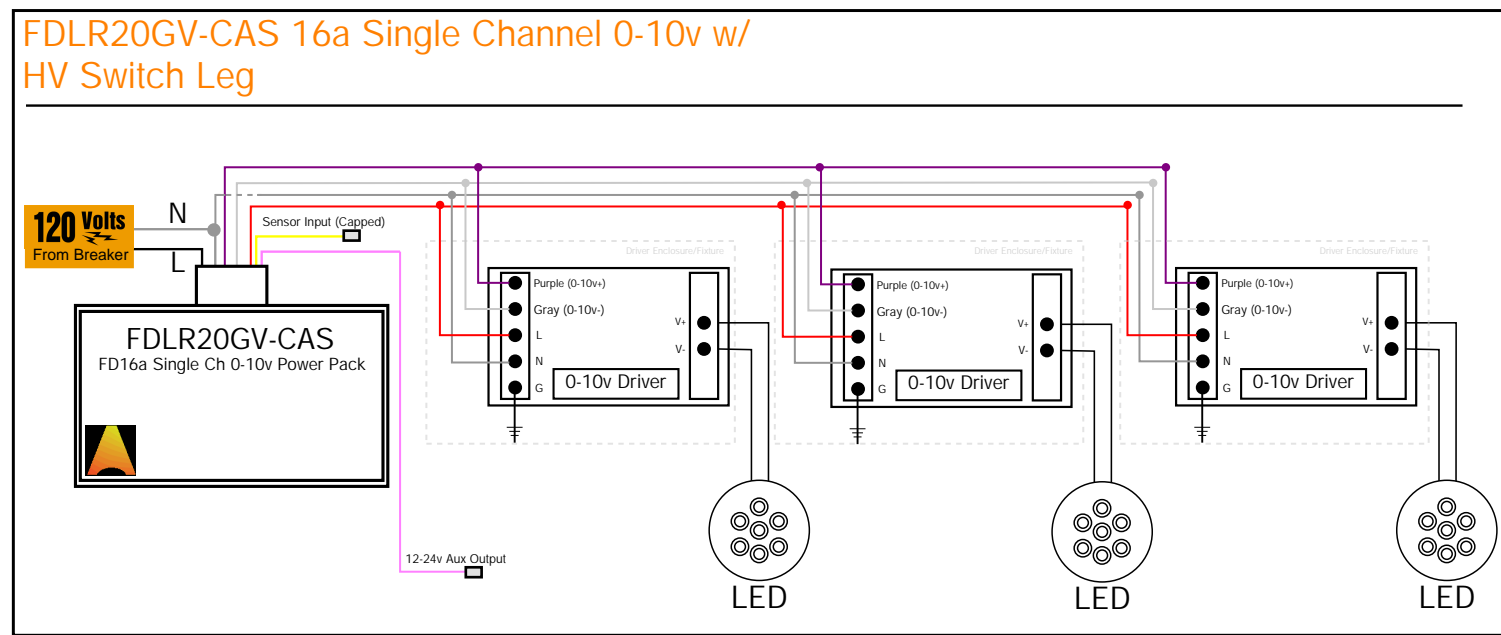
- 100-277VAC Input Voltage
- 0-10V Output to LED Driver
- Relay with Zero-Crossing
- Active High Output for Relay Drive
- 12V aux Power (PSC-WCM-450-BLE-CB)



16a 0-10v Room Controller w/ 12v aux



Phase Controllers - 0-10v



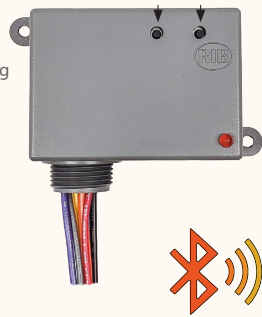
FDLR20GV-CAS

Enclosed Casambi bluetooth Relay Receiver/Repeater
20 Amp SPDT, 120-277 Vac Power, with 0-10 Vdc Analog Output

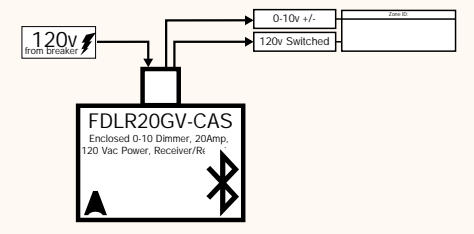
Contact Ratings:
20 Amp Resistive @ 277 Vac
20 Amp Ballast @ 277 Vac (N/O)
10 Amp Ballast @ 277 Vac (N/C)
16 Amp Electronic Ballast @ 277 Vac (N/O)
10 Amp Tungsten @ 120 Vac (N/O)
770 VA Pilot Duty @ 120 Vac
1,110 VA Pilot Duty @ 277 Vac
2 HP @ 277 Vac
1 HP @ 120 Vac

Power Input Ratings:
39 mA max @ 120-277 Vac

0-10 Vdc Output Ratings:
10 mA Sourcing
50 mA Sinking



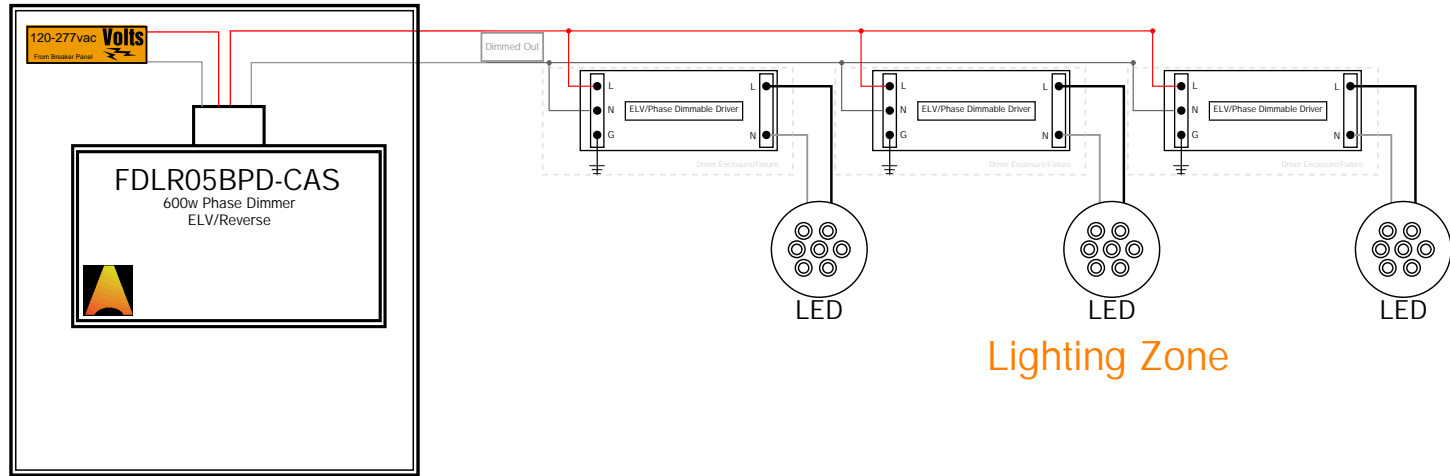
16a 0-10v Room Controller



Phase Controllers - Phase

FDLR05BPD-CAS 600w Phase DimmerELV/Reverse

Junction box/Enclosure



FDLR05BPD-CAS

Enclosed Casambi Phase Angle Dimmer, 600W,
120 Vac Power, Receiver/Repeater

Operating Temperature: -30 to 122 F
Humidity Range: 5 to 95% (noncondensing)
Red LED: Learn Mode Status (Flashing) / Dim Mode Status
Dimensions: 4.00" x 4.00" x 1.80" with .50" NPT Nipple
Wires: 16', 600W rated
Approvals: UL Listed, UL916, C-UL, RoHS
Agency Compliance: FCCID: S2V-TCM320U
IC: 5713A-TCM320U
Housing Rating: UL Accepted, NEMA 1
Max Lighting Load: 600W
Selectable Dimming Mode: Yes
Selectable Low Dim Threshold: Yes
Power Input Ratings: 100mA @ 120 Vac, 60Hz



ELV/Reverse Phase Lighting Zone

