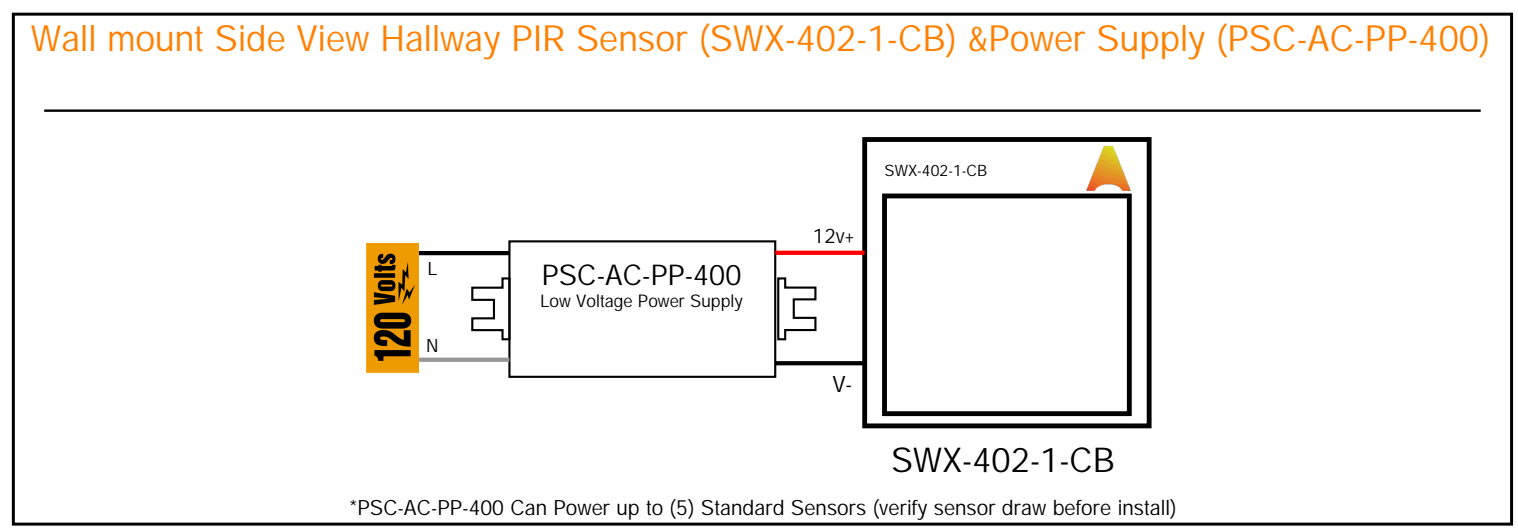
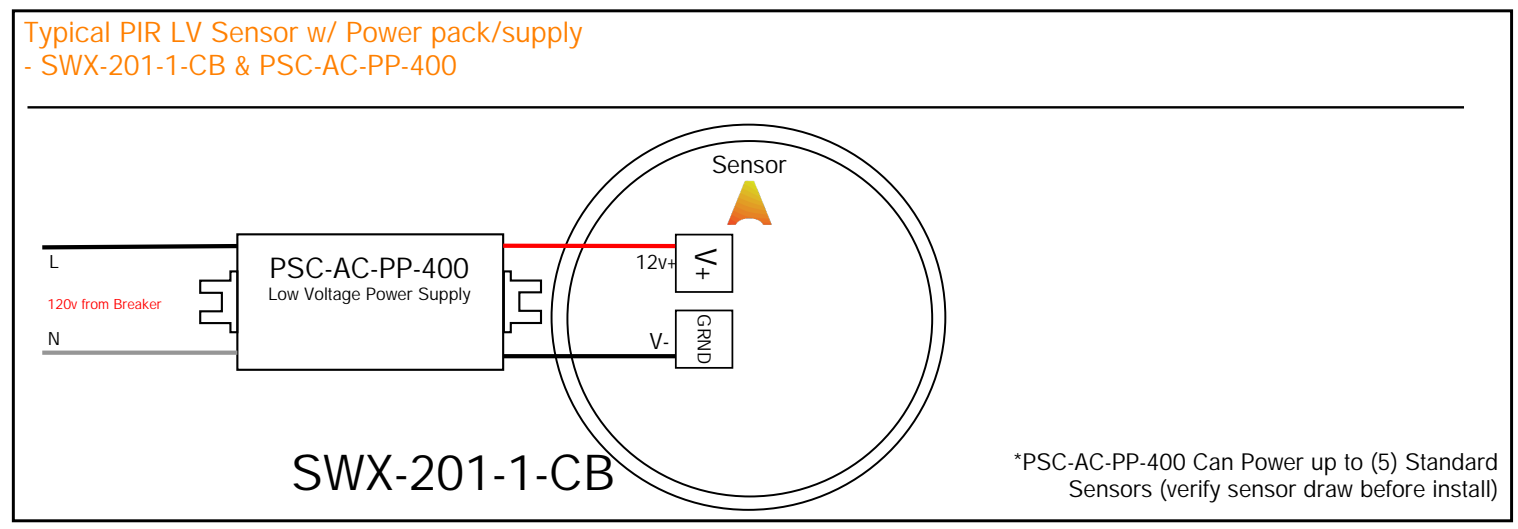
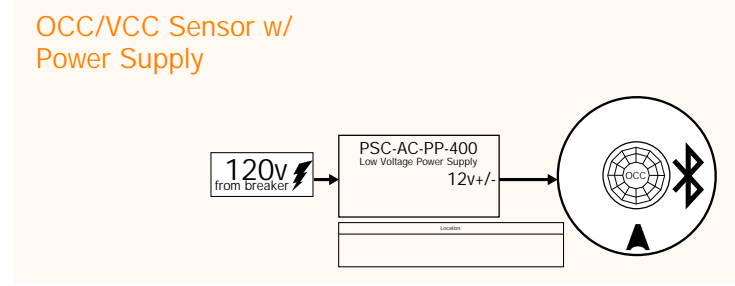


Line Voltage Sensors - PIR Ceiling & Wall/Corner



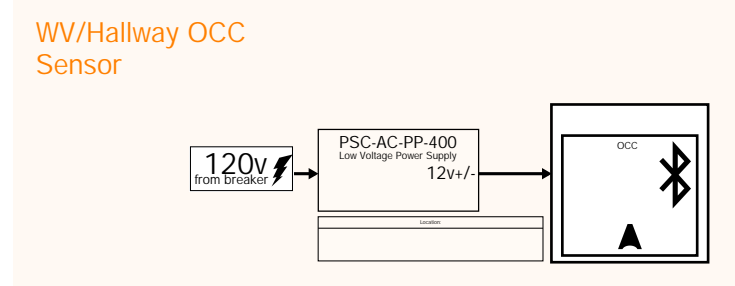
SWX-201-1-CB
Small Motion 360° Ceiling Sensor - PIR, Low Voltage, Casambi Enabled

- Digital Passive Infrared (PIR) Detection
- Passive Acoustic Detection (Optional)
- 360° Coverage Patterns
- Compact Size and Matte Finish
- Four Contractor Friendly Mounting Methods
- Mounting Nipple Attachment with Integrated Hole Saw
- Convenient Test Mode and Adjustable Time Delays
- Optional Photocell, Daylight Harvesting, & Isolated Relay



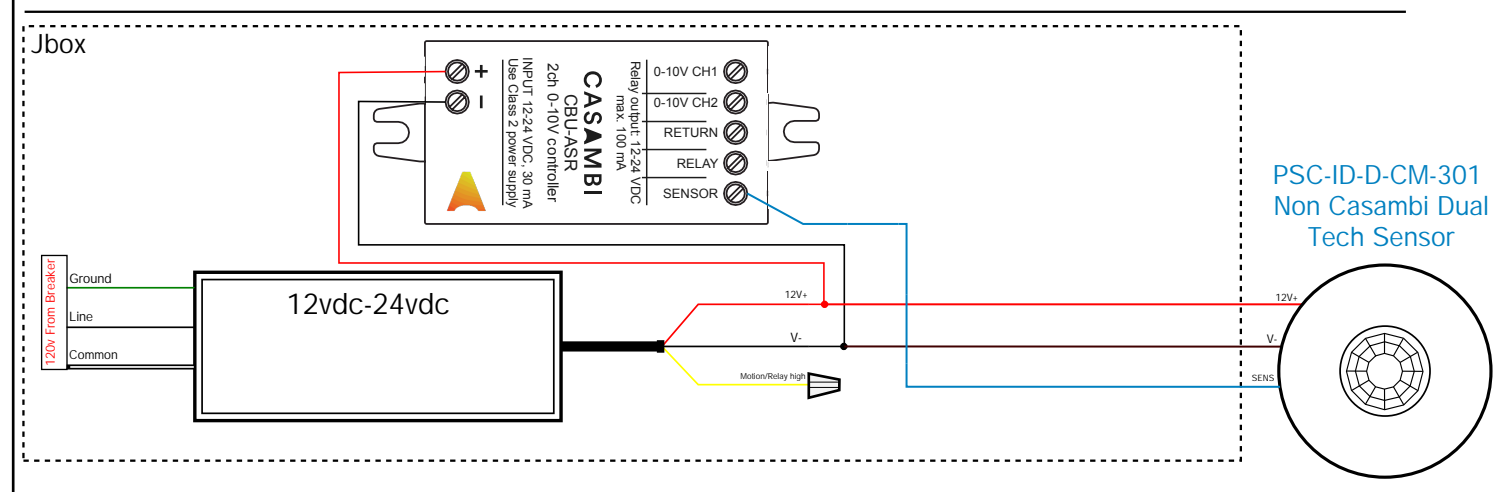
SWX-400-1-CB
Wide view & Hallway OCC Sensor

SENSORWORX® wide view and hallway occupancy sensors enable mounting to a wall, corner, junction box, or conduit. This flexibility reduces contractor installation time and provides a secure and clean finished appearance. **SENSORWORX** products utilize the latest passive infrared technology and digital signal processing techniques to provide unmatched detection performance. Additionally, these **SENSORWORX** units are available with an integrated microphone to provide overlapping passive acoustic occupancy detection for rooms with obstructions or where occupant motion will be limited.



Line Voltage Sensors - Dual-Tech

Dual Tech Sensor Kit

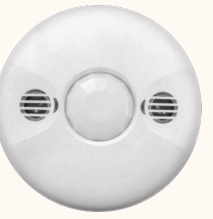


Dualtech-Kit

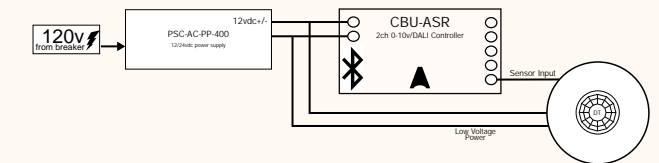
Low Voltage Ceiling Mount Dual Tech Occupancy Sensor

Basic Features

- Line voltage version: 120-277VAC, 60Hz
- Low voltage version: 24VDC, requires separate class 2 power supply
- PIR sensor range: 360° coverage up to 1600ft² (□ 44ft)
- Ultrasonic sensor range: 360° coverage up to 900ft² (30ft x 30ft)
- Time-delay and sensitivity controls
- Photocell for daylight sensing
- LED indicator light
- UL/cUL listed: E350121, E341446

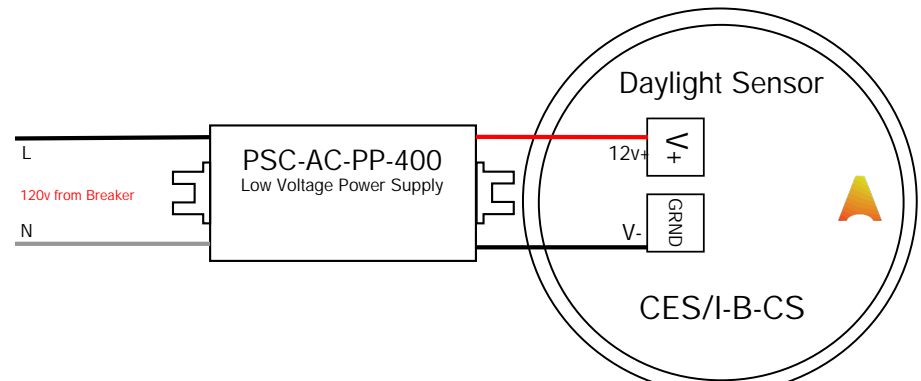


Dual-tech Sensor Kit



Line Voltage Sensors - Daylighting

Typical Low Voltage Daylight Sensor w/ Power pack/supply - CES/I-B-CS & PSC-AC-PP-400



*PSC-AC-PP-400 Can Power up to (5) Standard Sensors (verify sensor draw before install)

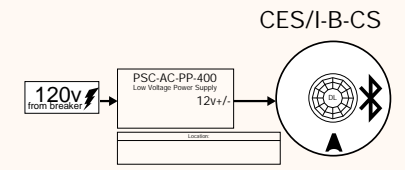
CES/I-B-CS
Photodiode Sensor with BLE Compliant output

FEATURES

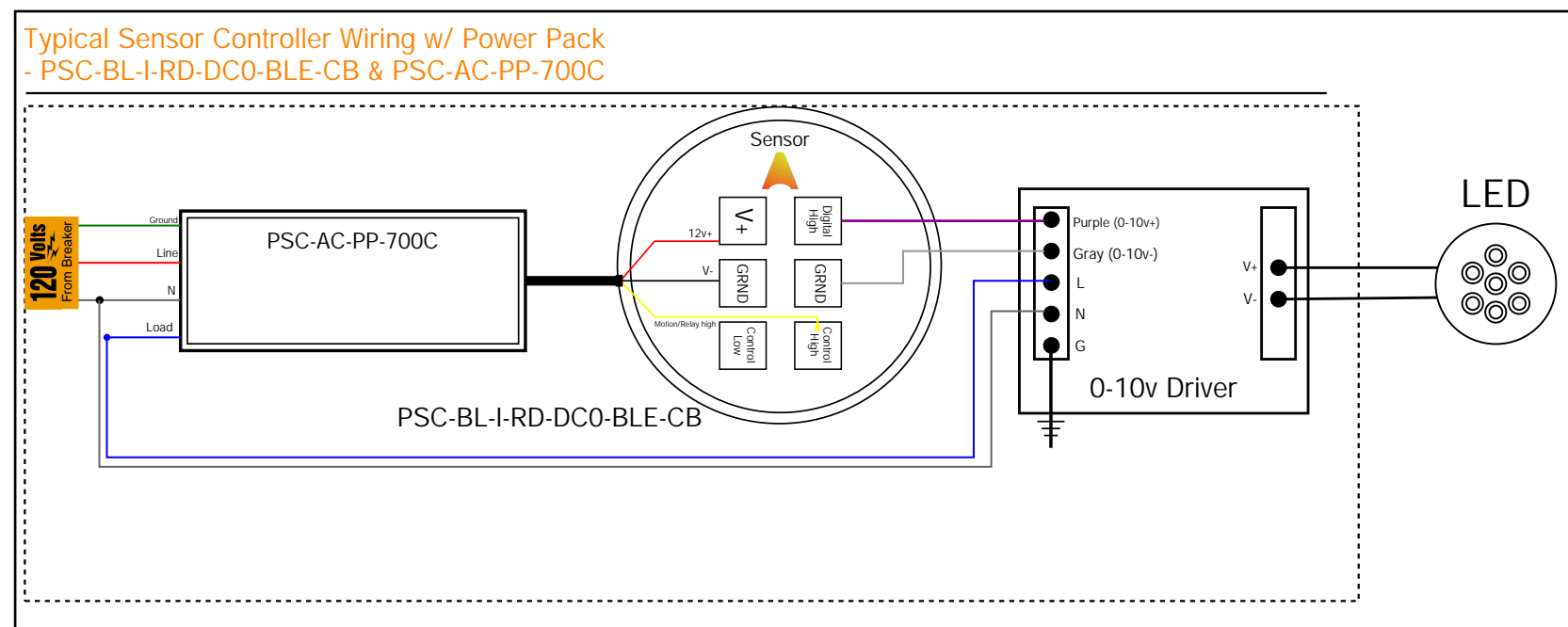
- Communication Protocol – Bluetooth 5.0
- Measuring range - 0-100 fc
- Input Power – 12- 24VDC, 40mA Max
- Operating Temperature – -20°C to +55°C



Wireless Indoor Daylight Sensor



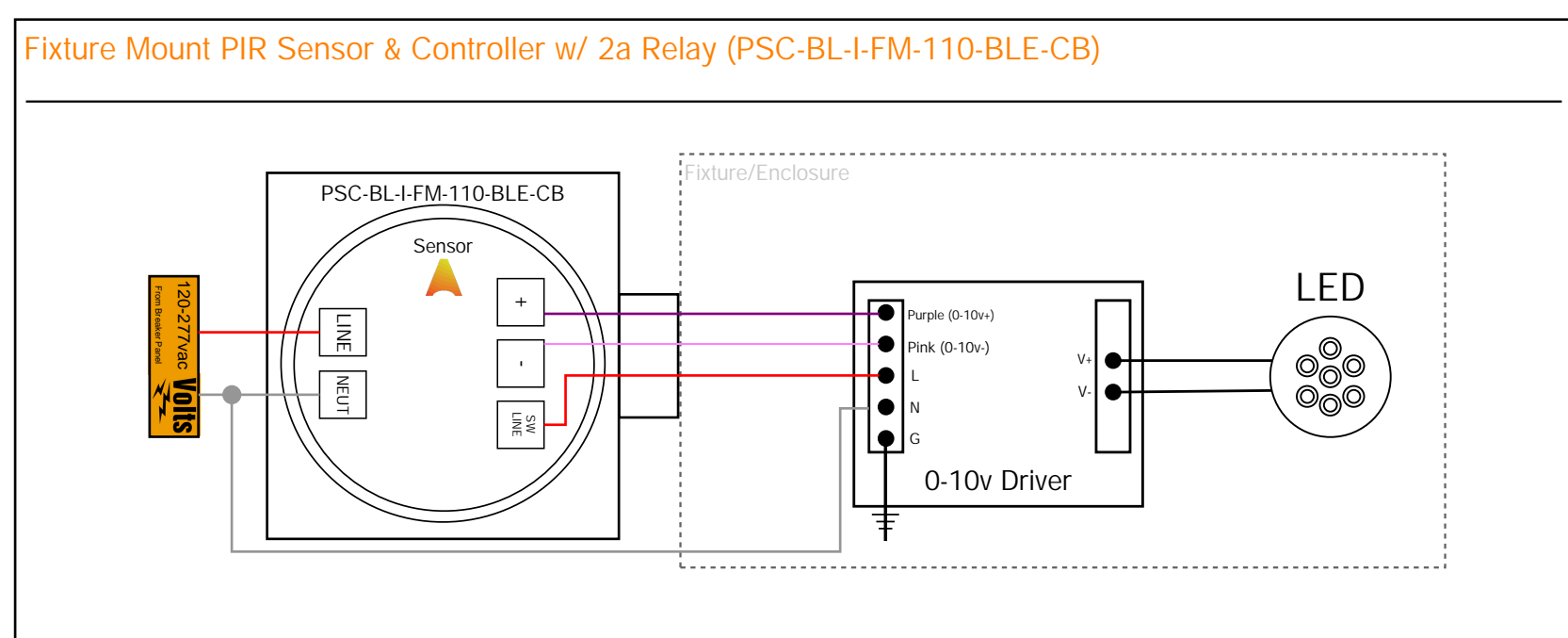
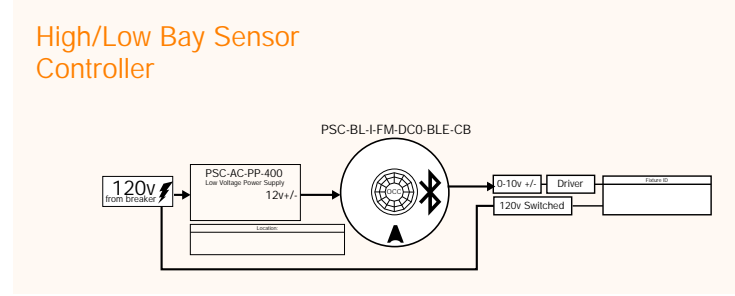
Line Voltage Sensors - High/Low Bay / Fixture Mnt



PSC-BL-I-FM-DC0-BLE-CB
Casambi Mesh PIR Highbay/Lowbay Sensor, 12-24VDC, PIR Lens NOT included

Overview

- Interior/Exterior PIR sensor
- Mount in Fixture, JBOX, Ceiling, or Ceiling Tile
- Casambi Wireless Mesh
- High-End Trim, Zoning, Continuous Dimming
- IP-65 Rating
- LED Motion indicator
- Active High output for relay drive
- Mounting height up to 40 ft (12.2m)
- ioXt Alliance cybersecurity certification



PSC-BL-I-FM-110-BLE-CB
Casambi Mesh PIR High bay Sensor, 120vac

Overview

- PIR sensor
- Input voltage: 120-277VAC, 50/60Hz
- Casambi Bluetooth Mesh
- High-End Trim, Zoning, Continuous Bi-level Dimming, Scheduling
- LED Motion indicator
- Mounting height up to 40ft (12.2m)
- 360° coverage pattern

