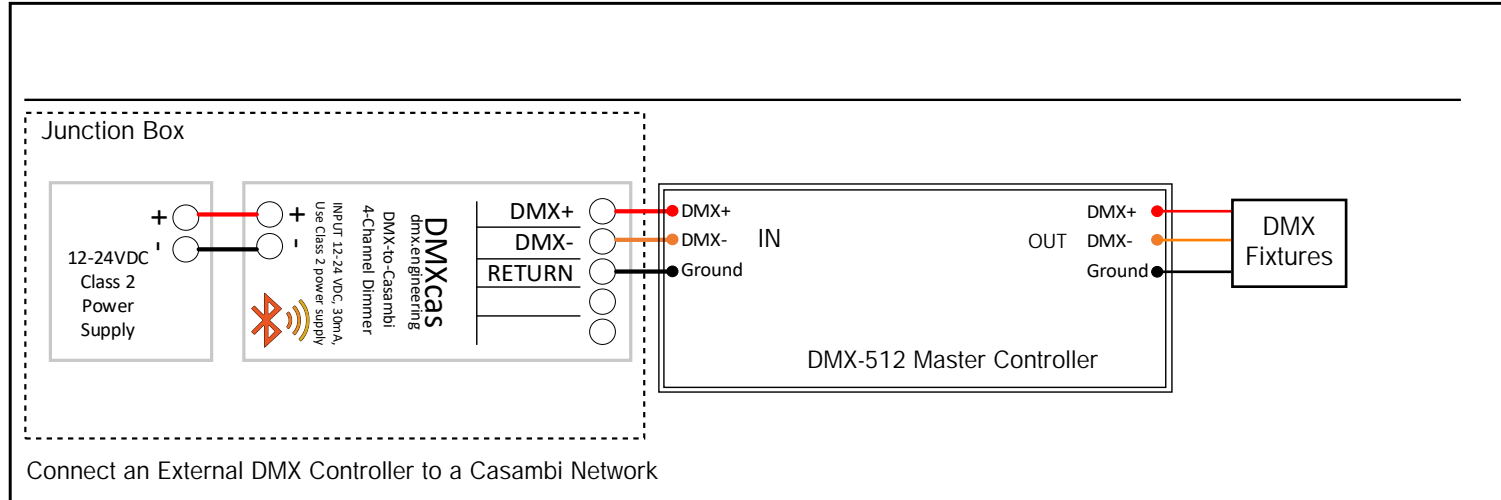
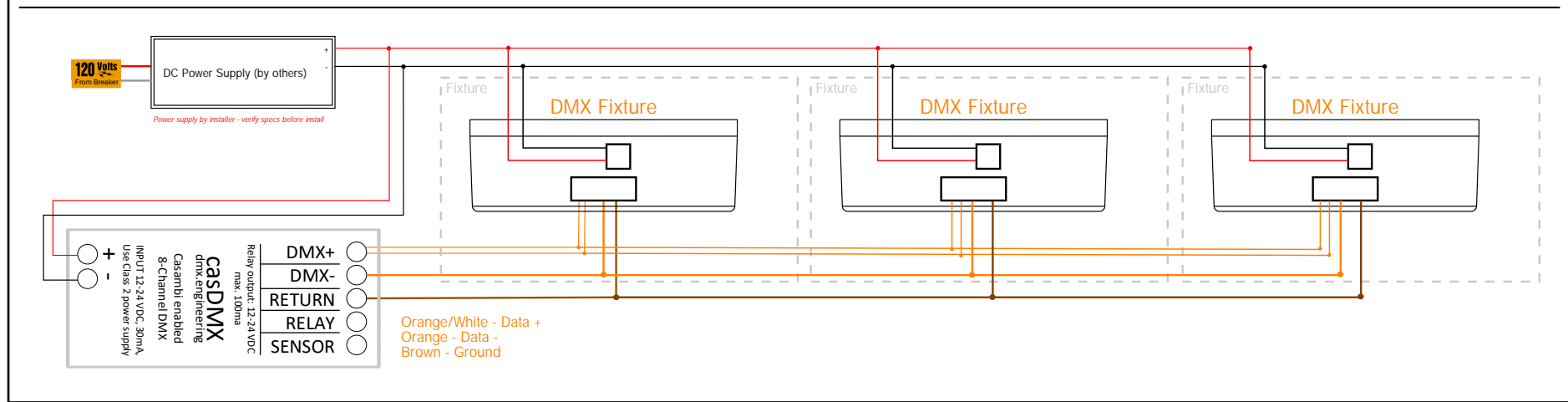


Integration & System Devices

casDMX - Casambi Ready 8 Channel DMX Controller to DMX Fixtures

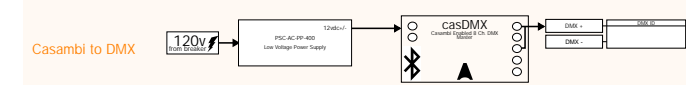


casDMX Casambi Enabled 8-Channel DMX Master



casDMX is a Bluetooth controllable, Casambi enabled, eight channel DMX-512 master dimmer. It drives one DMX-512 universe, connecting to DMX enabled lighting devices and fixtures. The casDMX is connected between a 12-24 VDC Class 2 power supply and provides a non-isolated DMX-512 universe, relay output, and sensor input.

casDMX can control up to eight DMX channels (slots) making it an ideal partner for RGBW and tunable white (TW) applications. Multiple Casambi profiles allow for straight eight channel, straight four channel and Casambi color-picker compatible 4-channel control.



DMXcas

DMX to Casambi 4-Channel DMX Dimmer

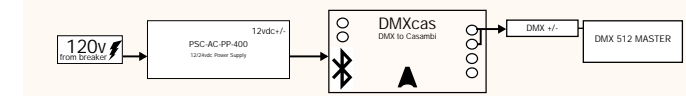
Input
Voltage range: 12-24 VDC, Class 2
No-load input current: 30 mA

DMX-512 Input
3-wire non-isolated DMX-512

Relay control output
Output voltage: 12-24 VDC, same as input
Max. output current: 100 mA



DMX to Casambi - Channels



SceneDMXcas

DMX to Casambi 4-Scene DMX Controller

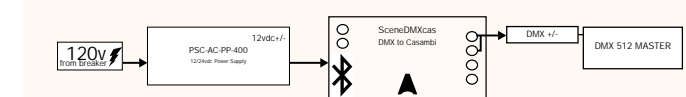
Input
Voltage range: 12-24 VDC, Class 2
No-load input current: 30 mA

DMX-512 Input
3-wire non-isolated DMX-512
Channel 1—Scene selection
Channel 2—Intensity level

Relay control output
Output voltage: 12-24 VDC, same as input
Max. output current: 100 mA



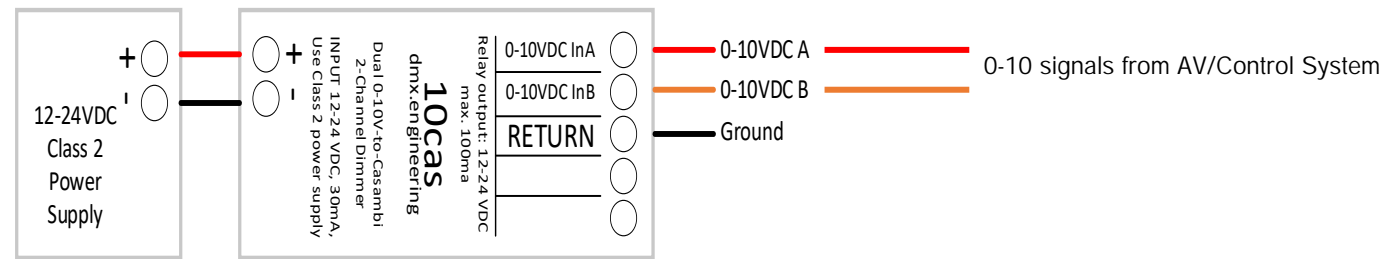
DMX to Casambi - Scenes



Integration & System Devices

AV/Control System to Casambi

Typical Connection Diagram



10cas

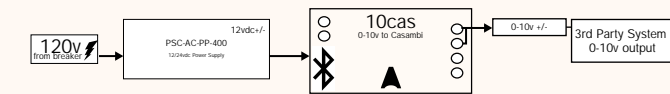
0-10v to Casambi - Channels

Input
Voltage range: 12-24 VDC, Class 2
No-load input current: 30 mA

0-10VDC Input (A and B)
2-wire analog 0-10VDC, two channels
1mA source current, input must sink for control
Top and bottom "trim" and hysteresis user program-
mable



0-10v to Casambi - Channels



Scene10cas

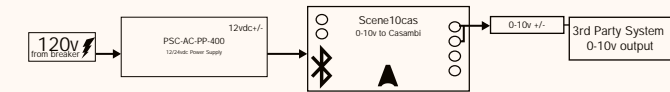
0-10v to Casambi - Scenes

Input
Voltage range: 12-24 VDC, Class 2
No-load input current: 30 mA

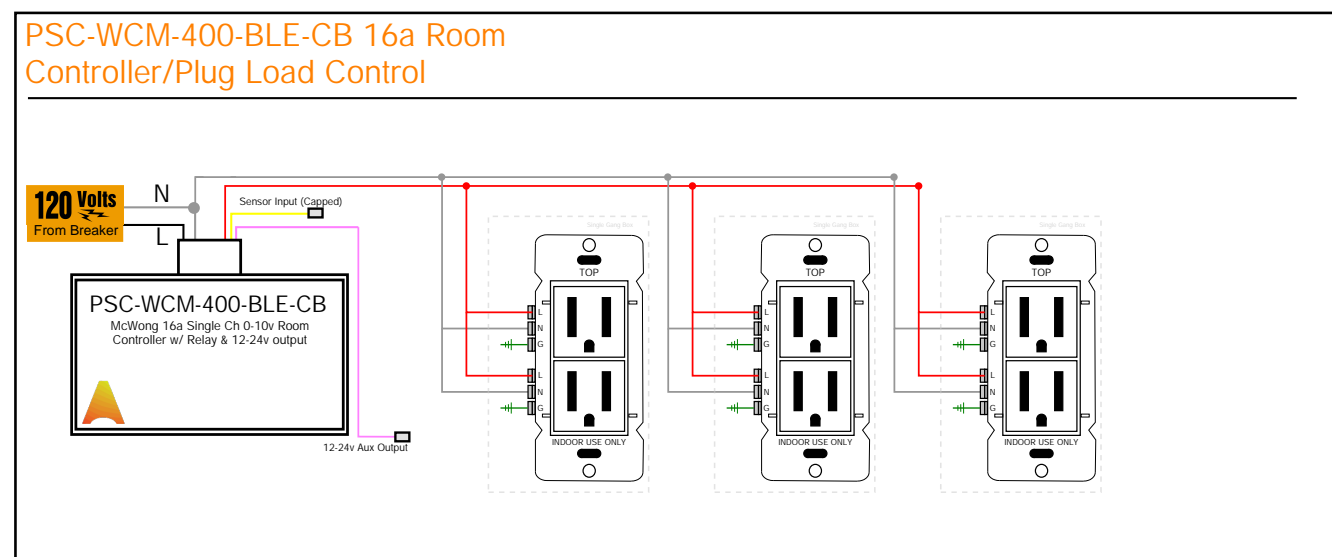
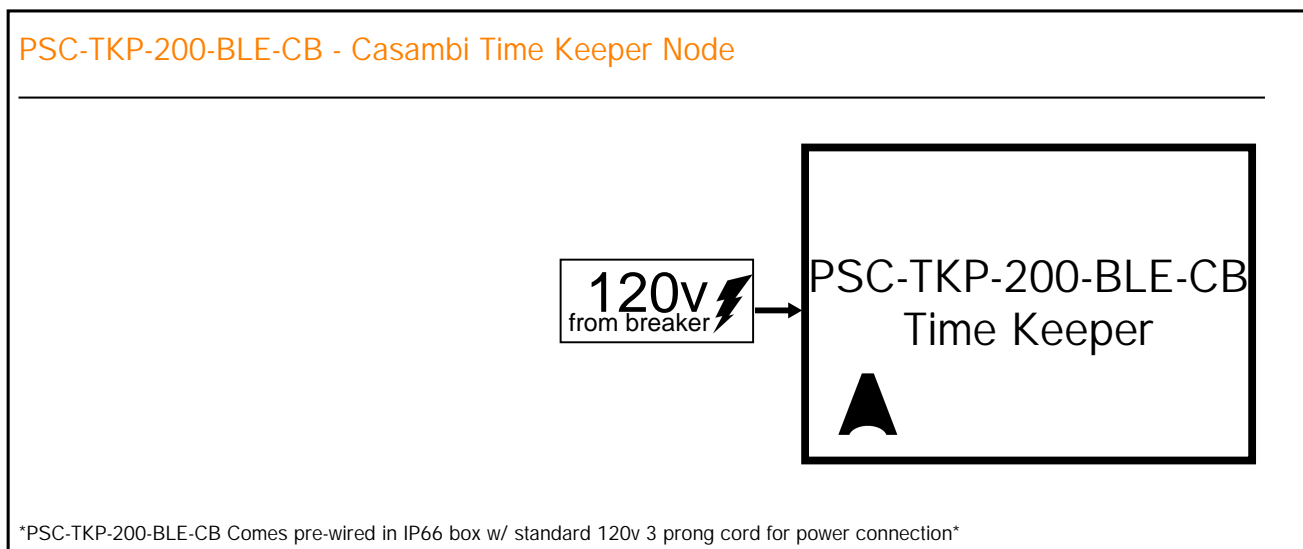
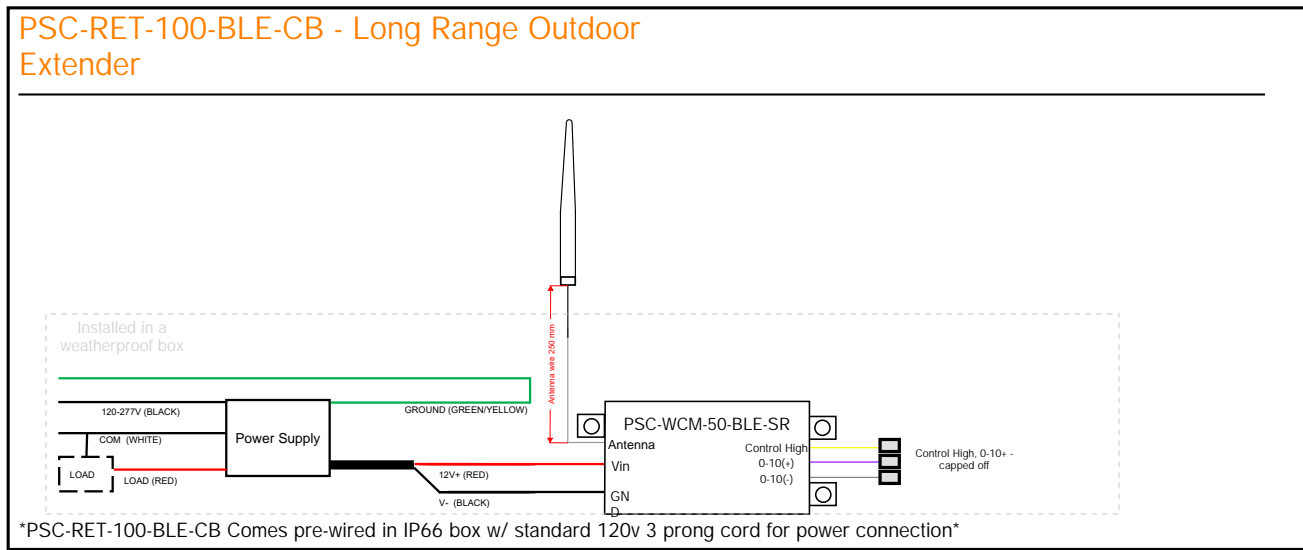
0-10VDC Input (A and B) Configuration
2-wire analog 0-10VDC, two channels
1mA source current, input must sink for control
Top and bottom "trim" and hysteresis user pro-
grammable Casambi Vendor Parameters



0-10v to Casambi - Scenes



Integration & System Devices



PSC-TKP-200-BLE-CB Line-Voltage Time Keeper

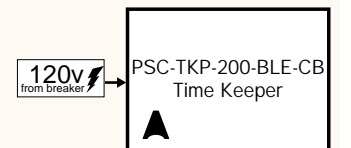
The McWong Line Voltage Time Keeper PSC-TKP-200-BLE-CB provides reliable scheduling when using with Casambi Bluetooth Mesh network.

PSC-TKP-200-BLE-CB comes with back-up battery to provide support in case of power outage, this back-up battery* is maintained by the integrated charge controller, and can last for approximately 24 hours.

*Charge for 24 hours before use
*Enable UPS switch before use



Line Voltage time keeper



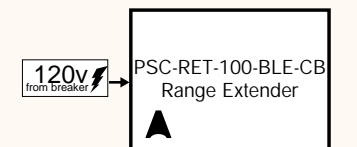
PSC-RET-100-BLE-CB

Line Voltage Range Extender input 120-277 VAC, Max Bluetooth range up to 800ft

- Line Voltage Input 120-277 VAC
- Range Extender, Max Bluetooth Range up to 800 ft (240 m)*
- Lightning Protection: Built-in Surge Protector at 20KV/10KA
- Operating Temp.: -30°C to 70°C, 90-95% Non-condensing
- Applicable for Indoor and Outdoor
- Technology Partner Casambi



Line Voltage Range Extender



PSC-WCM-450-BLE-CB

Casambi Mesh Room Controller, 120-277 Volt with dimming, 12 volt Aux, Sensor input, Power Metering, 16A Relay

- 100-277VAC Input Voltage
- 0-10V Output to LED Driver
- Relay with Zero-Crossing
- Active High Output for Relay Drive
- 12V aux Power (PSC-WCM-450-BLE-CB)



16a 0-10v Room Controller w/ 12v aux

