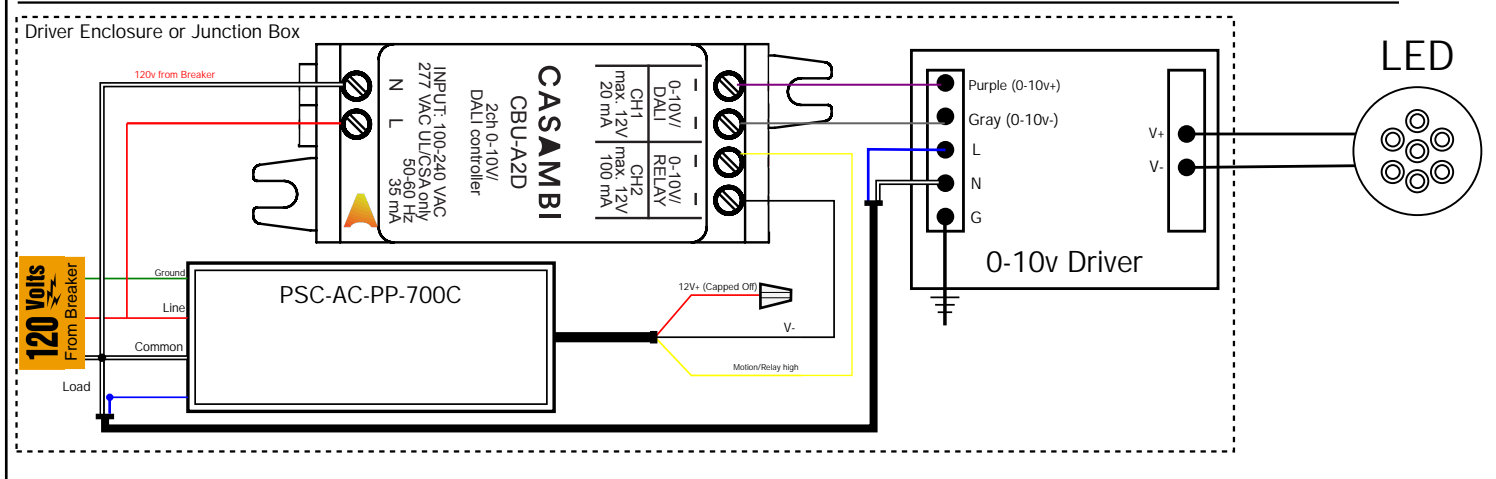
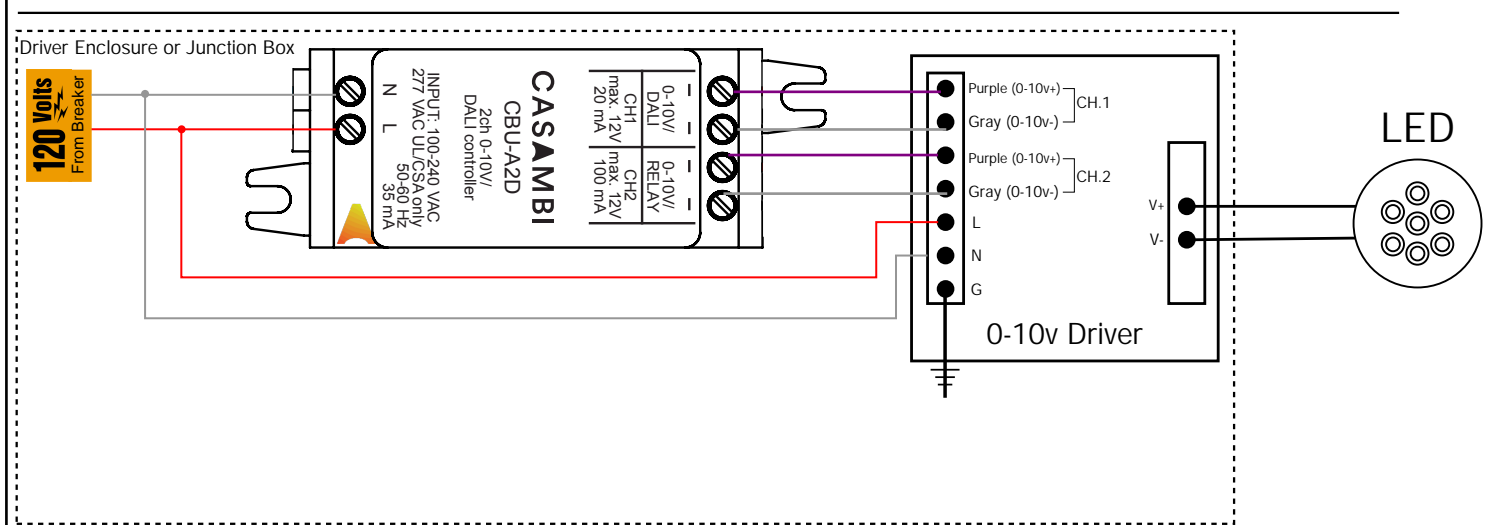


Fixture Controllers - 0-10v

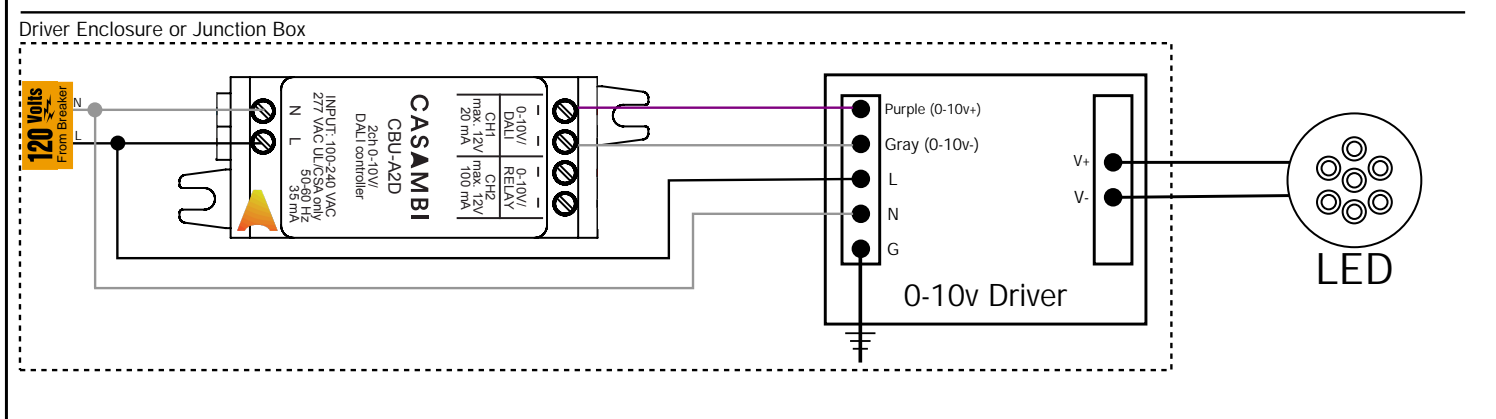
0-10v Dimming w/ NON DIM TO OFF Driver, Power Pack, & CBU-A2D



0-10v Dimming w/ 2 Ch.



0-10v Dimming w/ DIM TO OFF Driver & CBU-A2D



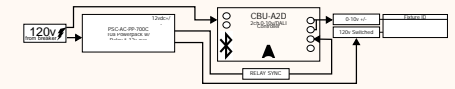
CBU-A2D Bluetooth controllable 2ch 0-10V/DALI controller

CBU-A2D is a Bluetooth controllable, Casambi enabled 2 channel 0-10V/DALI controller. CBU-A2D has a universal 100-277 VAC input voltage range.

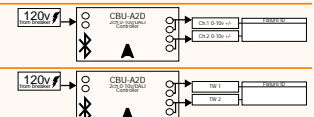
CBU-A2D can control one or two 0-10V controllable LED drivers, or it can control a tunable white LED driver with two 0-10V control interfaces. The product can also be configured into a DALI mode where it can be connected to a DALI LED driver or DALI sensor for presence and/or daylight harvesting functions.



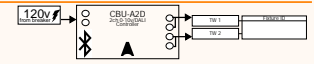
Single ch. 0-10v (w/ relay)



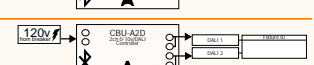
Two ch. 0-10v (up/down)



Tunable White

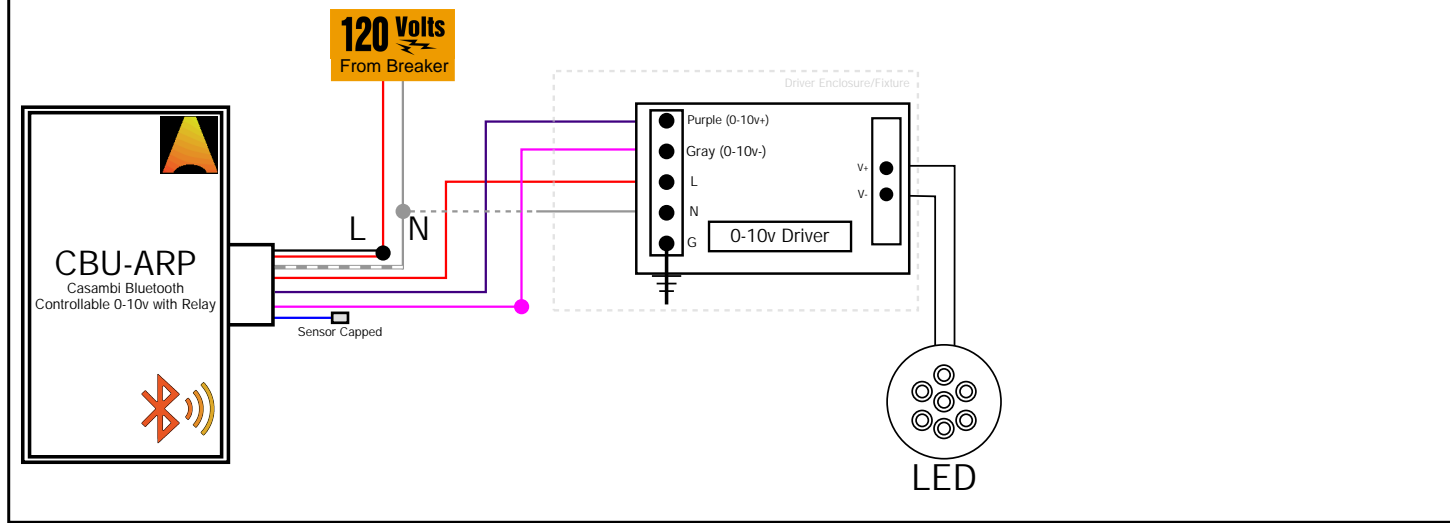


DALI Drivers

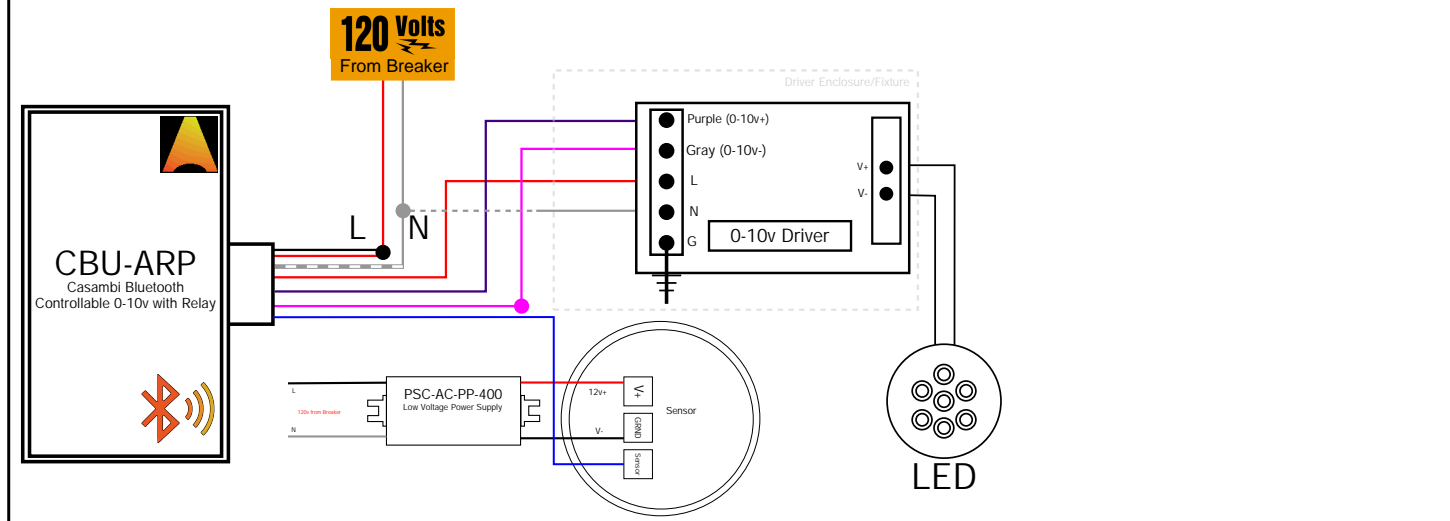


Fixture Controllers - 0-10v

CBU-ARP w/ HV Switch Leg 0-10v Single Channel

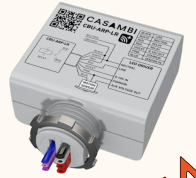


CBU-ARP w/ HV Switch Leg 0-10v Single Channel w/ Typical PIR LV Sensor w/Power pack/supply



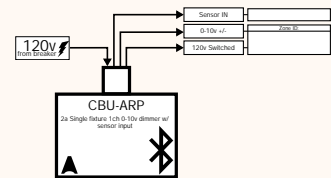
CBU-ARP

Bluetooth controllable 0-10V controller with relay



CBU-ARP is a Bluetooth controllable, Casambi enabled one channel 0-10V controller with built-in 2.5 A relay and a motion sensor input.

CBU-ARP is designed to control a single 0-10V LED driver. If the LED driver cannot be turned completely off from the 0-10V control interface, CBU-ARP has a built-in 2.5 A relay for cutting the power from the driver. It also has a 12-24 VDC input for motion sensor. The sensor must be powered by an external power supply, such as mains voltage or auxiliary voltage from an LED driver. The 0-10V output can also be configured as DALI interface which allows for much richer feature set, such as controlling multi-channel LED driver (up to five channels) and reading diagnostic information from the driver.

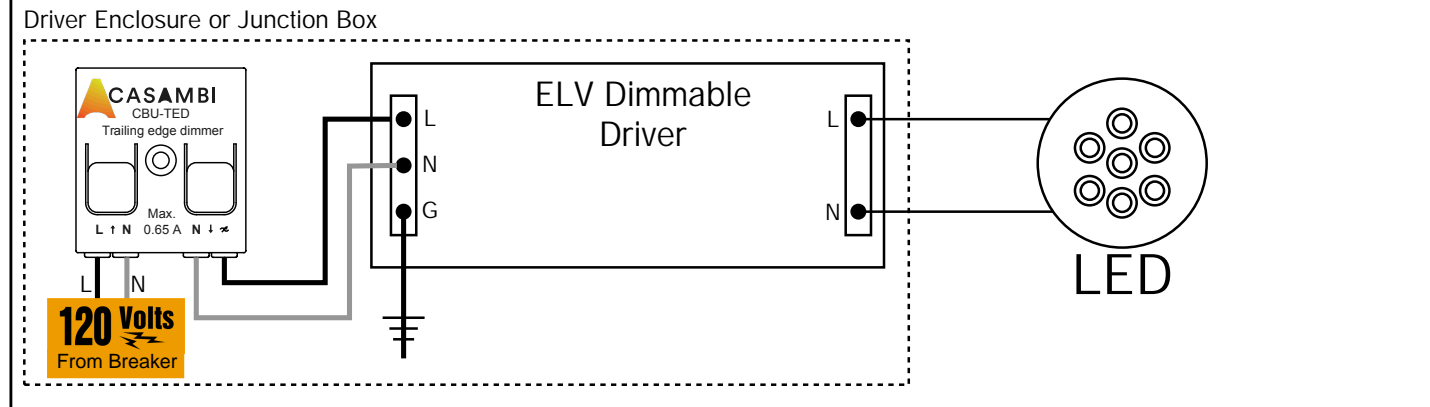


Single ch. 0-10v (w/ relay)

CASAMBI

Fixture Controllers - ELV/Phase

ELV Dimming w/ CBU-TED - Driver Enclosure



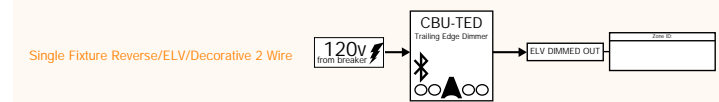
CBU-TED

Bluetooth controllable dimmer

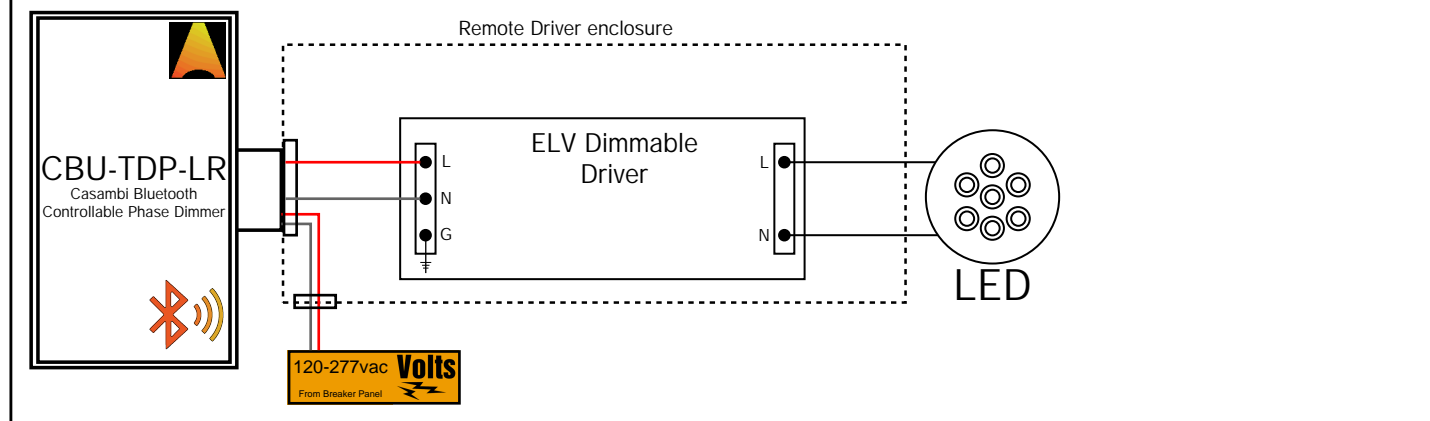
CBU-TED is a Bluetooth controllable, Casambi enabled trailing-edge dimmer for operation of incandescent lamps, dimmable LED lamps and dimmable LED control gear. It can be installed behind a traditional wall switch, inside a luminaire or into a ceiling outlet box. Maximum allowable ambient temperature must be observed.

CBU-TED is able to control up to 150 VA at 230 VAC. It features an overcurrent and over temperature protection.

CBU-TED can be controlled with Casambi app, available for iOS and Android devices, as well as with traditional wall switches. The Casambi app can be downloaded free of charge from Apple App Store and Google Play Store.



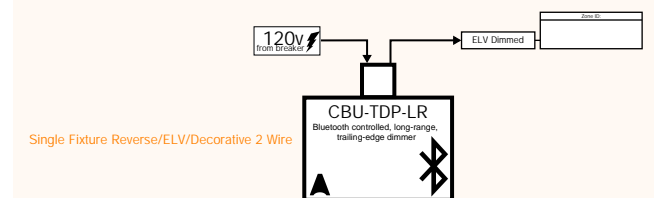
ELV Dimming w/ CBU-TDP-LR - Remote Driver



CBU-TDP-LR

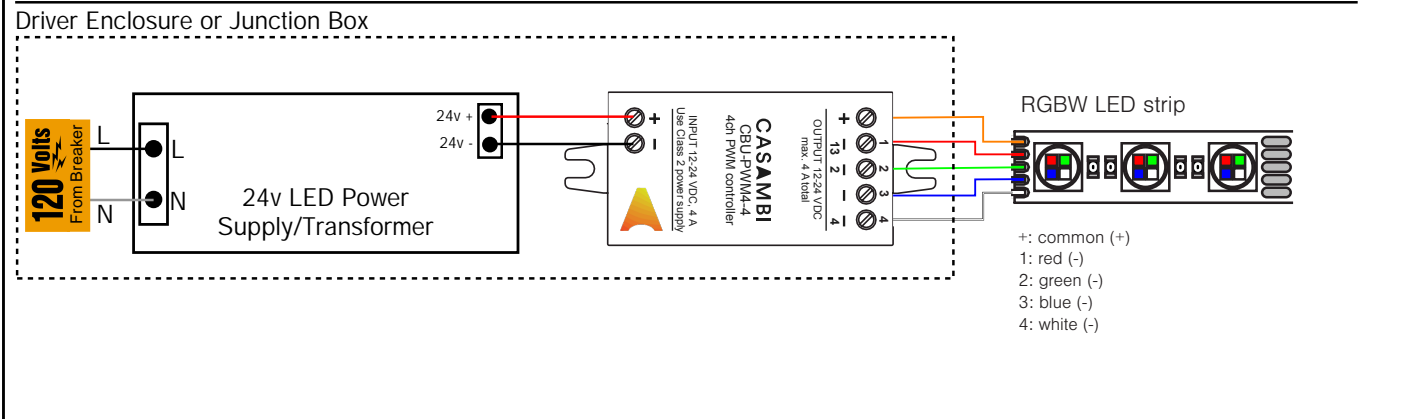
Bluetooth-controlled Trailing-Edge Dimming Pack

CBU-TDP-LR is a Bluetooth-controlled, long-range, Casambi-enabled, trailing-edge dimmer for incandescent lamps, dimmable LED lamps and dimmable LED control gear. It can be installed outside of a metal switch box, inside a luminaire, or into a ceiling outlet box. Simply remove a standard 1/2" knockout to install the compact module. Maximum allowed ambient temperature must be observed.

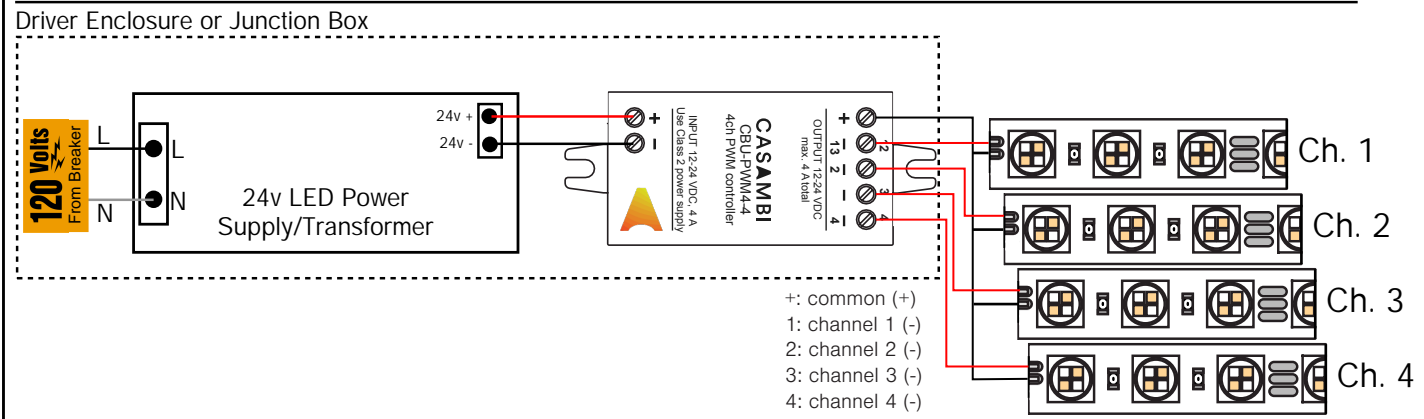


Fixture Controllers - PWM

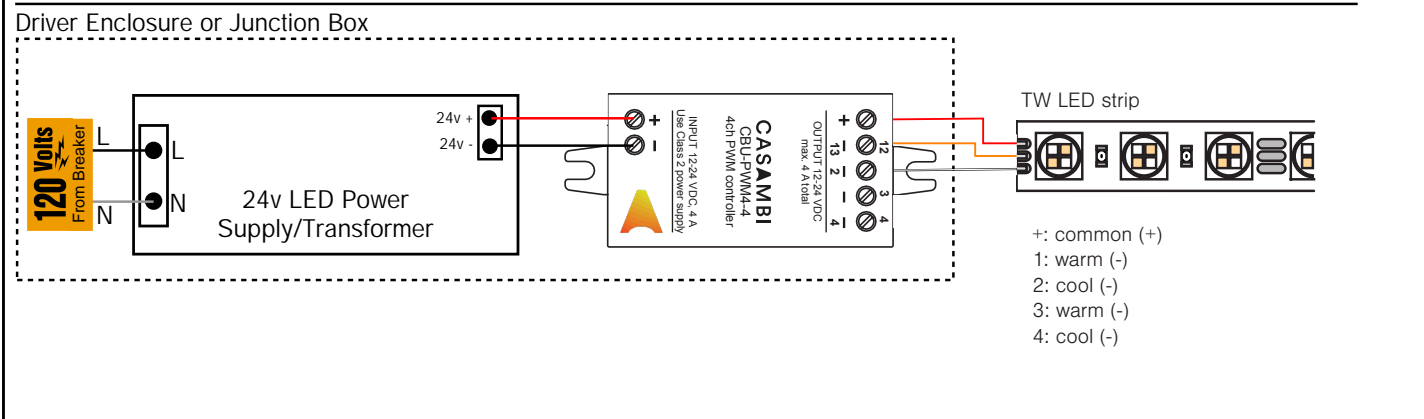
RGBW Control & CBU-PWM4



4 Ch. Control & CBU-PWM4



TW Control & CBU-PWM4

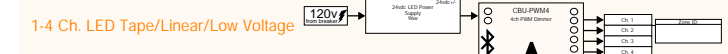
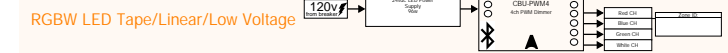


CBU-PWM4-4

Bluetooth controllable 4ch PWM dimmer

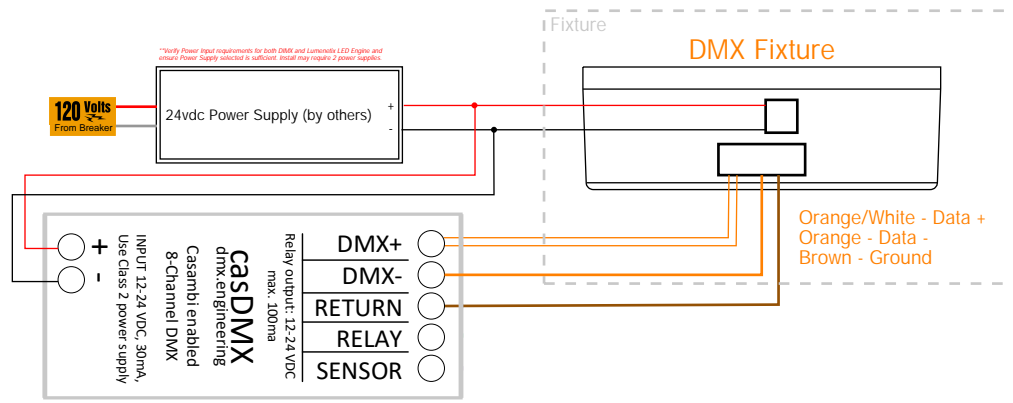
CBU-PWM4-4 is a Bluetooth controllable, Casambi enabled four channel PWM dimmer for constant voltage LED loads, such as LED strips and constant voltage LED modules. It is connected between a 12-24 VDC Class 2 power supply and a constant voltage LED load.

CBU-PWM4-4 can control up to four channels making it an ideal partner for RGBW and tunable white (TW) applications. The maximum combined output current is 4 A which can be freely divided between 1-4 channels. CBU-PWM4-4 is protected against overvoltage, overcurrent and short circuit situations.



Fixture Controllers - DMX

casDMX - Casambi Ready 8 Channel DMX Controller to DMX Fixture/Engine

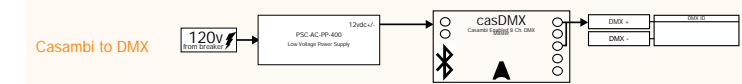


casDMX Casambi Enabled 8-Channel DMX Master



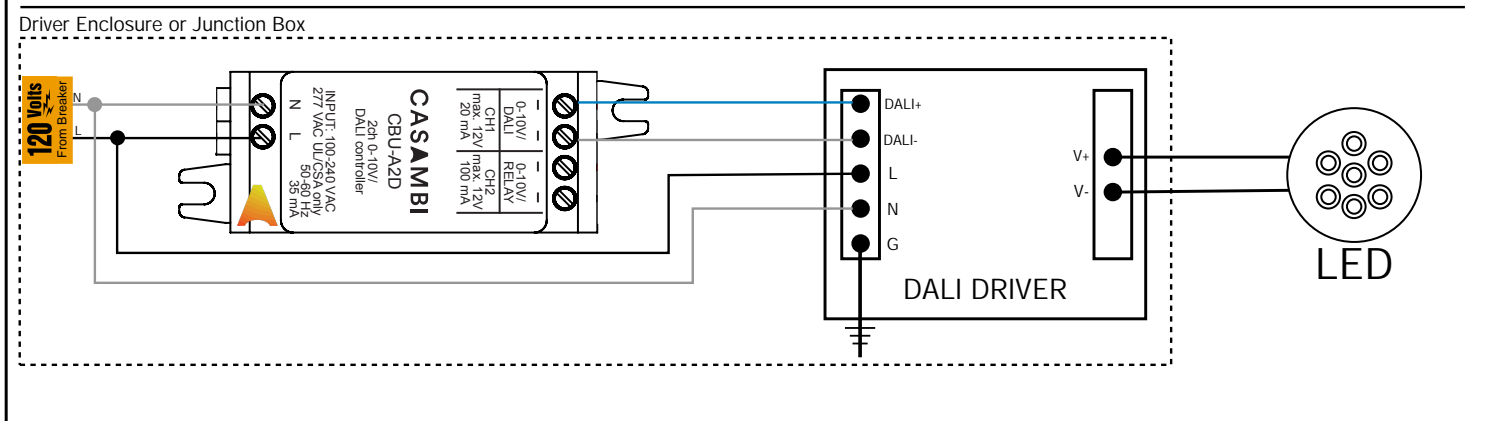
casDMX is a Bluetooth controllable, Casambi enabled, eight channel DMX-512 master dimmer. It drives one DMX-512 universe, connecting to DMX enabled lighting devices and fixtures. The casDMX is connected between a 12-24 VDC Class 2 power supply and provides a non-isolated DMX-512 universe, relay output, and sensor input.

casDMX can control up to eight DMX channels (slots) making it an ideal partner for RGBW and tunable white (TW) applications. Multiple Casambi profiles allow for straight eight channel, straight four channel and Casambi color-picker compatible 4-channel control.



Fixture Controllers - DALI

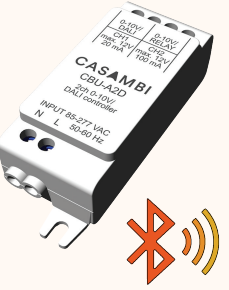
DALI Dimming w/ DALI Driver & CBU-A2D



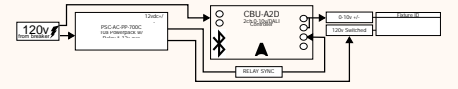
CBU-A2D Bluetooth controllable 2ch 0-10V/DALI controller

CBU-A2D is a Bluetooth controllable, Casambi enabled 2 channel 0-10V/DALI controller. CBU-A2D has a universal 100-277 VAC input voltage range.

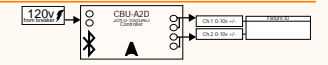
CBU-A2D can control one or two 0-10V controllable LED drivers, or it can control a tunable white LED driver with two 0-10V control interfaces. The product can also be configured into a DALI mode where it can be connected to a DALI LED driver or DALI sensor for presence and/or daylight harvesting functions.



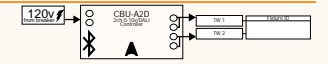
Single ch. 0-10v (w/ relay)



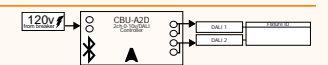
Two ch. 0-10v (up/down)



Tunable White

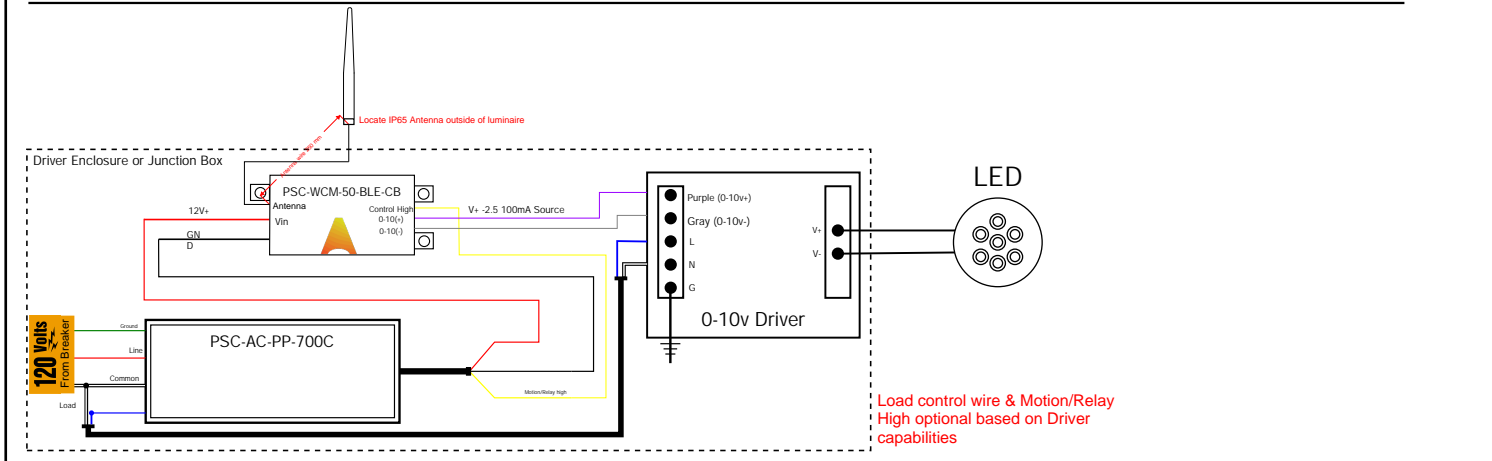


DALI Drivers



Fixture Controllers - Outdoor

0-10v Dimming w/ NON DIM TO OFF Driver, Power Pack, & WCM-50



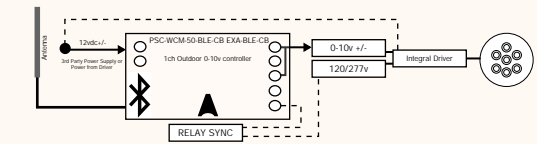
PSC-WCM-50-BLE-CB EXA-BLE-CB

Outdoor Fixture Controller, 12-24VDC, Single Channel 0-10 Volt Dimming, With External Antenna Connector

- 1 Channel 0-10VDC Dimming
- Mount in Fixture
- Casambi Wireless Mesh
- High-End Trim, Zoning, Continuous Dimming
- Active High Output for Relay drive
- 5dBi, IP65 long range Antenna
- ioXt Alliance cybersecurity certification

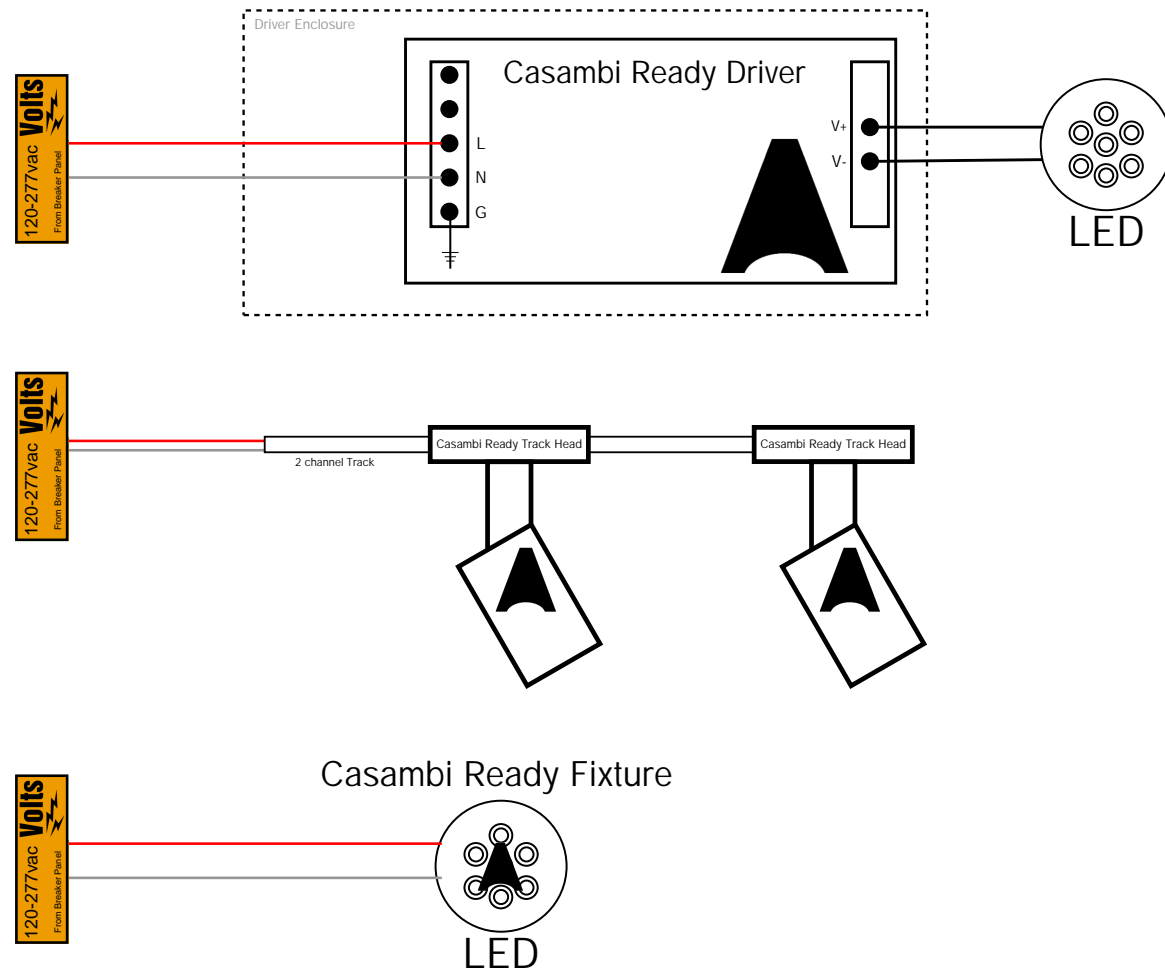


Outdoor single fixture 0-10v controller



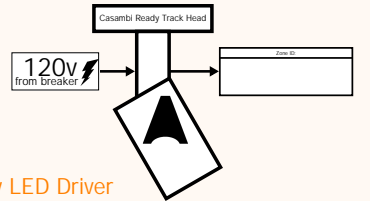
Fixture Controllers - Casambi Ready

Casambi Ready Drivers/Fixtures



Casambi Ready Track-Head/Fixture

Casambi Enabled (Embedded) Track-head or Fixture
Check www.casambi.com for full list of lighting OEM partners for Casambi Ready Driver Options



Casambi Ready LED Driver

Casambi Ready LED Driver or Power Supply

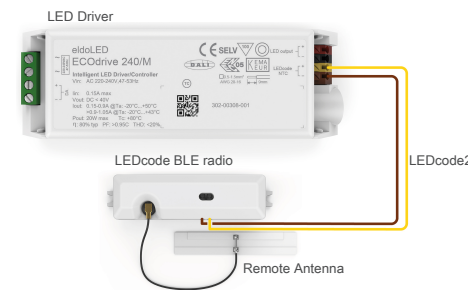
Casambi Enabled (Embedded) LED Driver or Power Supply. Check www.casambi.com for full list of lighting OEM partners for Casambi Ready Driver Options



Casambi Ready LED Driver



Wiring diagram BT-L2C1



Wire type	solid copper, twisted brown and yellow wire
Wire core cross section	0.52 mm ² +/- 0.01mm; AWG 20
Wire length	600 +/- 10 mm
Wire strip length	6.5 +/- 0.5 mm