

## LVS Products

**EPC-2-D**  
UL924 Listed Emergency Power Control Intended for Use with Switching, 0-10v and DALI/Ecosystem Dimming Controls

MODEL NO.	EPC-2-D
SENSING INPUT	120V-277V
LOAD RATING	120V - 277V (20A)
BALLAST LOAD RATING	20A (120-277V)
INCANDESCENT LOAD	1200W (120V) / 1500W (277V)
WARRANTY	5 Year Replacement Warranty

**RRU-X-UNV**  
UL 924 Shunt Relay to Override Single Control Device for Emergency Fixtures Only

WIRE GAUGE	18-24 AWG
WIRE TYPE	UL 1571
WIRE COLOR	Blue
WIRE LENGTH	100' (30.5m)
INSTALLATION	UL 924 (UL 924-00)
OPERATING TEMPERATURE	0°C to 40°C (32°F to 104°F)
UL LISTED	UL 924 (UL 924-00)

**EPC-D-F-ATS**  
Branch Circuit Emergency Lighting Transfer Switch for 2, 3, and 4-Wire Dimmable Loads

The Model EPC-D-F-ATS is a single zone, silent emergency transfer control with universal dimming capability. It can be used with 2 and 3-wire line voltage dimming systems, as well as 0-10V, DALI, and Lutron Ecosystem.

## Casambi Ecosystem Product

**Casambi Ready 0-10v Room Controller**  
Casambi Ready Room Controller, 120-277V In with dimming, 0-10v Out, 120V Power, Backward Compatible

- 100-277VAC Input Voltage
- 0-10V Output to LED Driver
- Relay with Zero-Crossing
- Active High Output for Relay Drive
- 12V aux Power

**FDLR05BPD-CAS**  
Ecosystem Casambi Phase Angle Dimmer, 600W, 120VAC Power, Backward Compatible

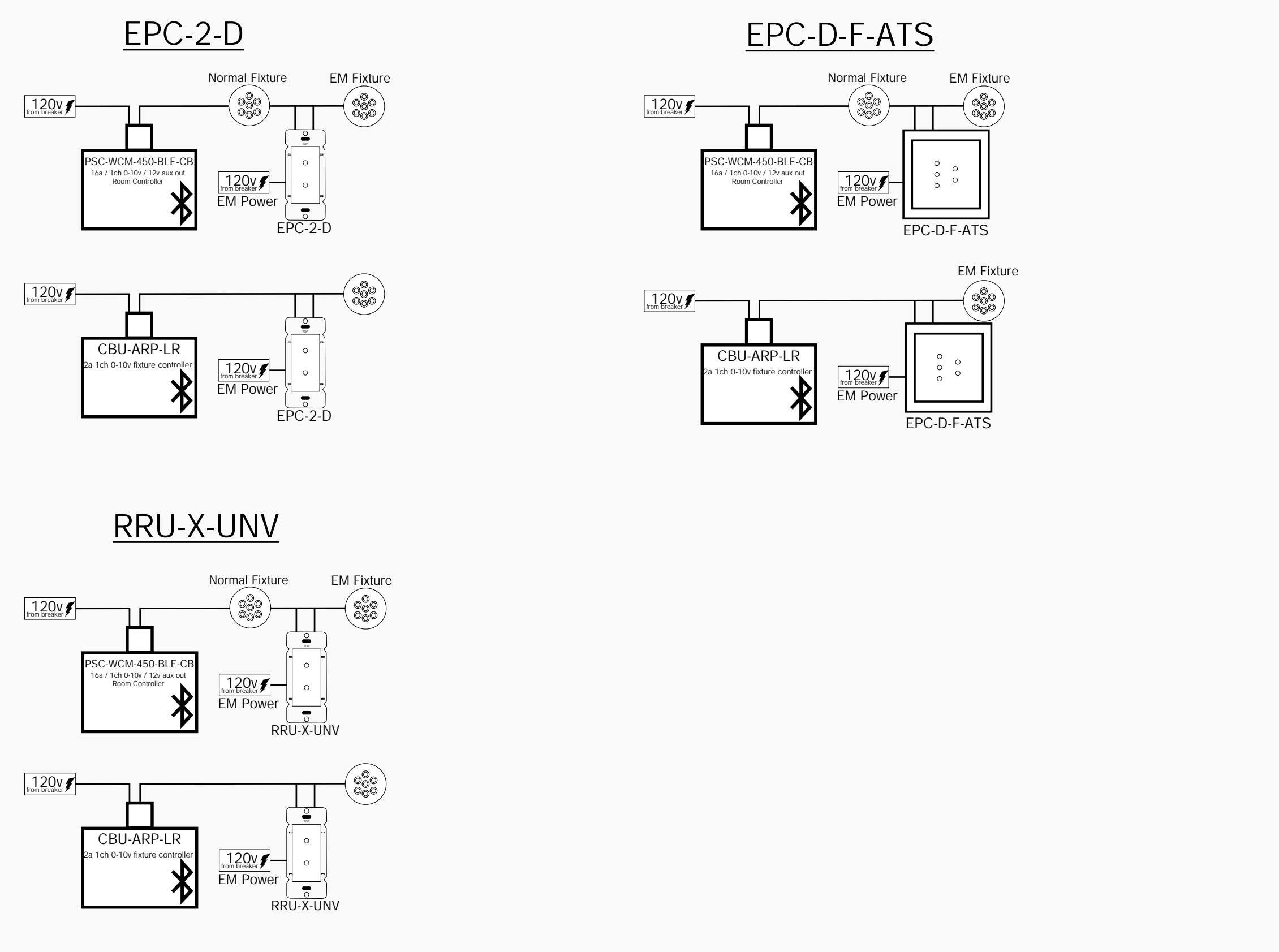
**CBU-ARP**  
Bluetooth controllable 0-10V controller with relay

**CBU-TDP-LR**  
Bluetooth-controlled Trailing-Edge Dimming Pack

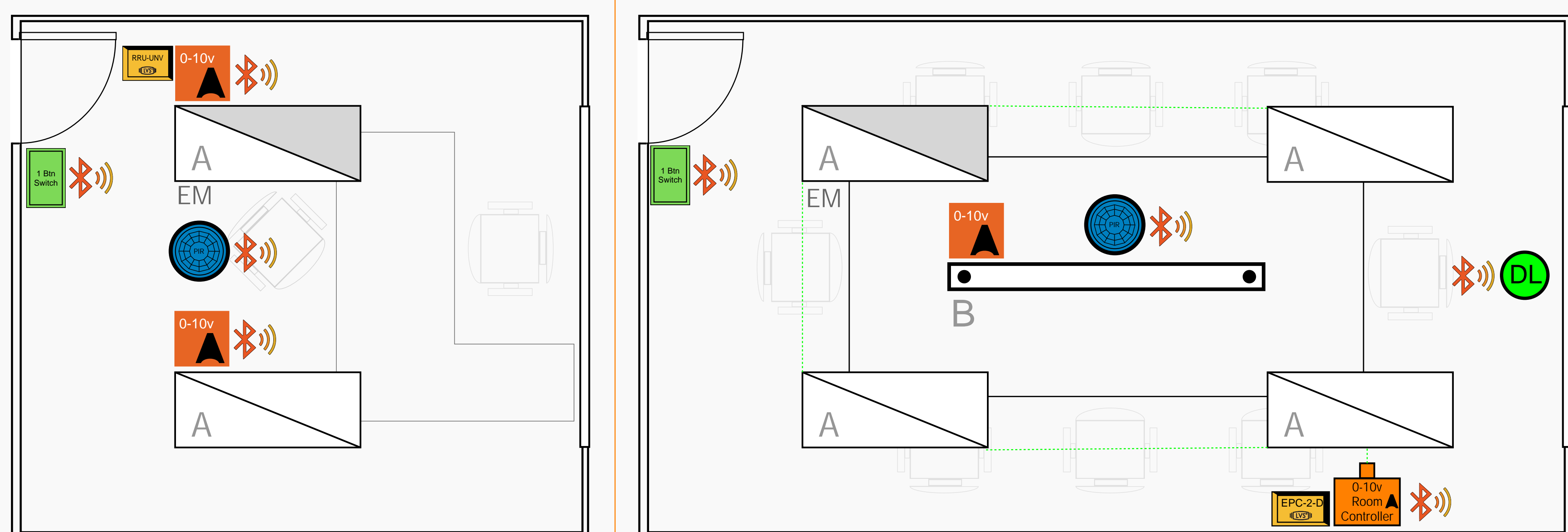
## Code Compliance

<b>UL924</b>	<b>UL924 Compliant</b>
--------------	------------------------

## Single-Line



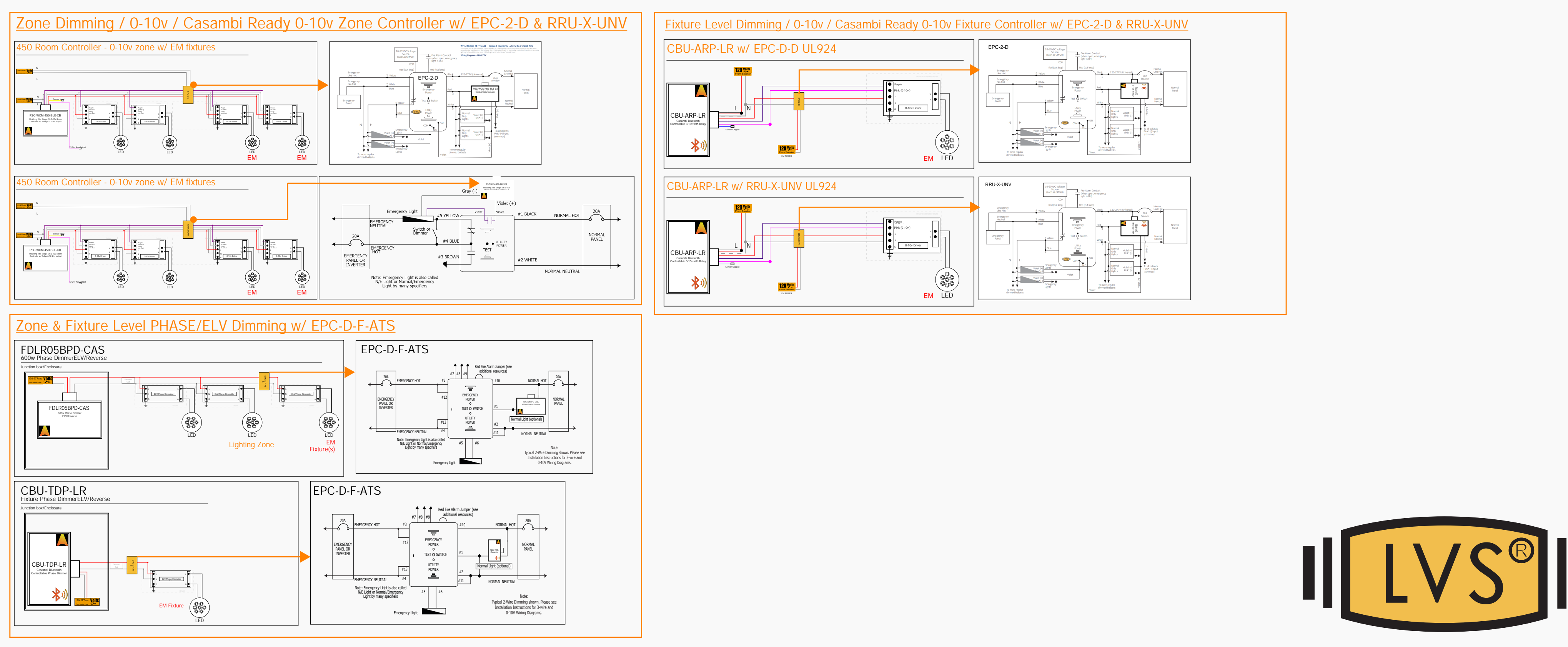
## Floor plan/layout



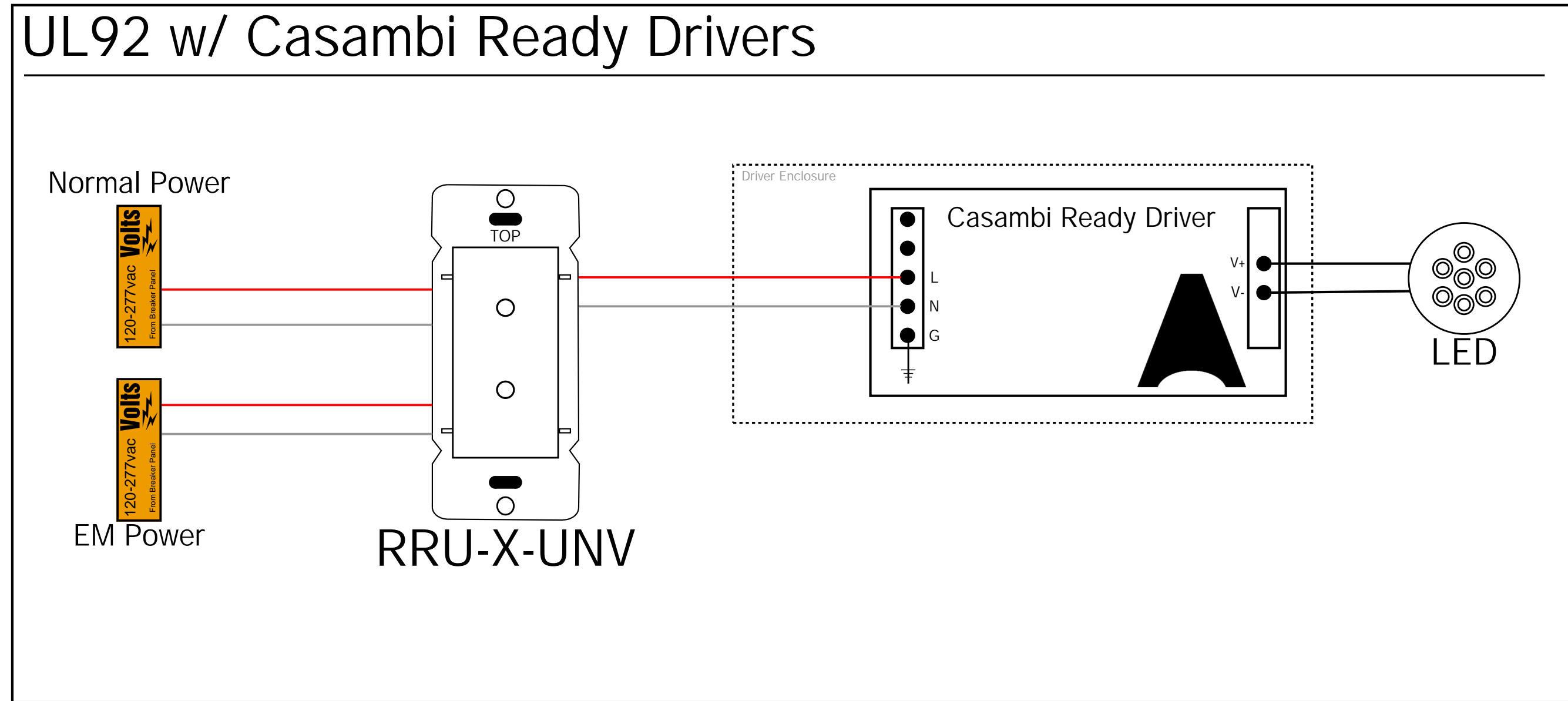
Single Fixture

Zone

## Detailed Wiring



## Single Line



## App Setup

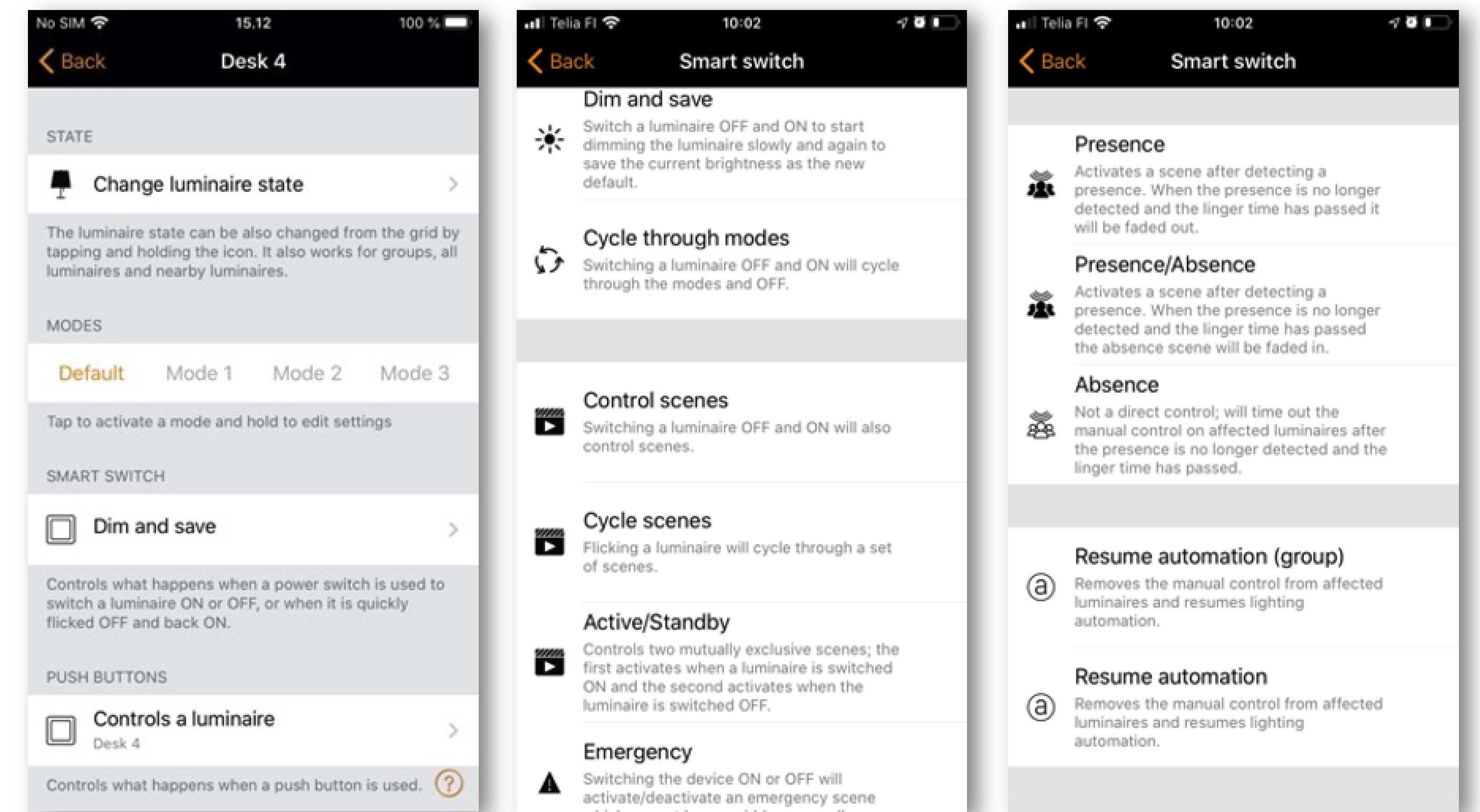
With the Smart switch feature, ordinary mains wall switches can be used as dimmers or configured to control luminaires or scenes. This feature is only available for Casambi devices that receive a direct mains input. Products that use an additional power supply (e.g. CBU-PWM-4) do not have Smart switch capability.

The Smart switch mode can be configured in Casambi app. It is possible to assign a different Smart switch mode to each Casambi enabled luminaire. For example, you can use Smart switch to switch on a scene when you come home or switch the lighting to be suitable for dinner party or watching a movie.

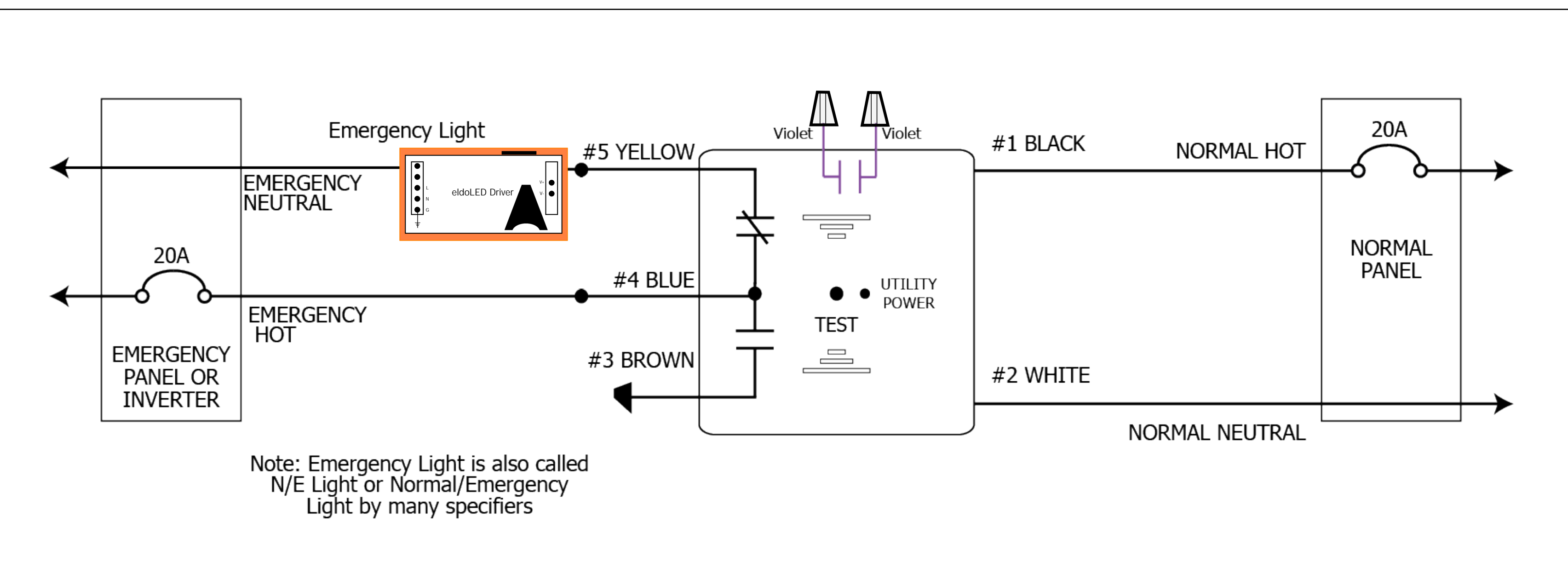
Go to the Luminaires tab and double tap the luminaire icon that you want to assign a Smart switch mode to.

Under the Smart switch section, select the current mode to open the Smart switch selection.

- Emergency activates a scene which cannot be manually over-riden until the controlling device is powered off (for Evolution networks only)



## Details



RRU-X-UNV

UL 924 Shunt Relay to Override Single Control Device for Emergency Fixtures Only

ELECTRICAL	
MODEL NUMBER	RRU-X-UNV
SENDING INPUT	120V-277V
LOAD RATING	120V-277V (20A)
BALLAST LOAD RATING	120V-277V (20A) (Sched. 41)
INCANDESCENT LOAD	120V-277V (20A) (Sched. 41)
WARRANTY	3 years (5 years for commercial applications)
LOAD	Complies with UL 924

Zone EM

Fixture EM