

Casambi Ecosystem Products

Casambi Ready 0-10v Room Controller
Casambi Mesh Room Controller, 120-277 Volt with dimming, 12 volt Aux. Sensor input, Power Metering, 16A Relay

- 100-277VAC Input Voltage
- 0-10V Output to LED Driver
- Relay with Zero-Crossing
- Active High Output for Relay Drive
- 12V aux Power

Casambi Ready Line Voltage Switch
Casambi Mesh Dimming Wall Switch, 120-277V

- Bluetooth Mesh
- Manual on/off (wireless)
- LED status indicator light
- Mounts in any standard wall box
- 4-Button may be personalized
- Color: white

Casambi Ready Low Voltage PIR Sensor
Casambi Mesh PIR Ceiling Mount Occupancy Sensor, 12-24VDC

- Quad Element PIR sensor
- LED Motion indicator
- Active High/Low outputs for Relay drive
- Mounting height up to 12ft (3.6m)
- 360° coverage pattern
- Bluetooth add-on enables remote sensor programming with greater customization time delay

16a 0-10v Room Controller w/ 12v aux

Line Voltage Keypad

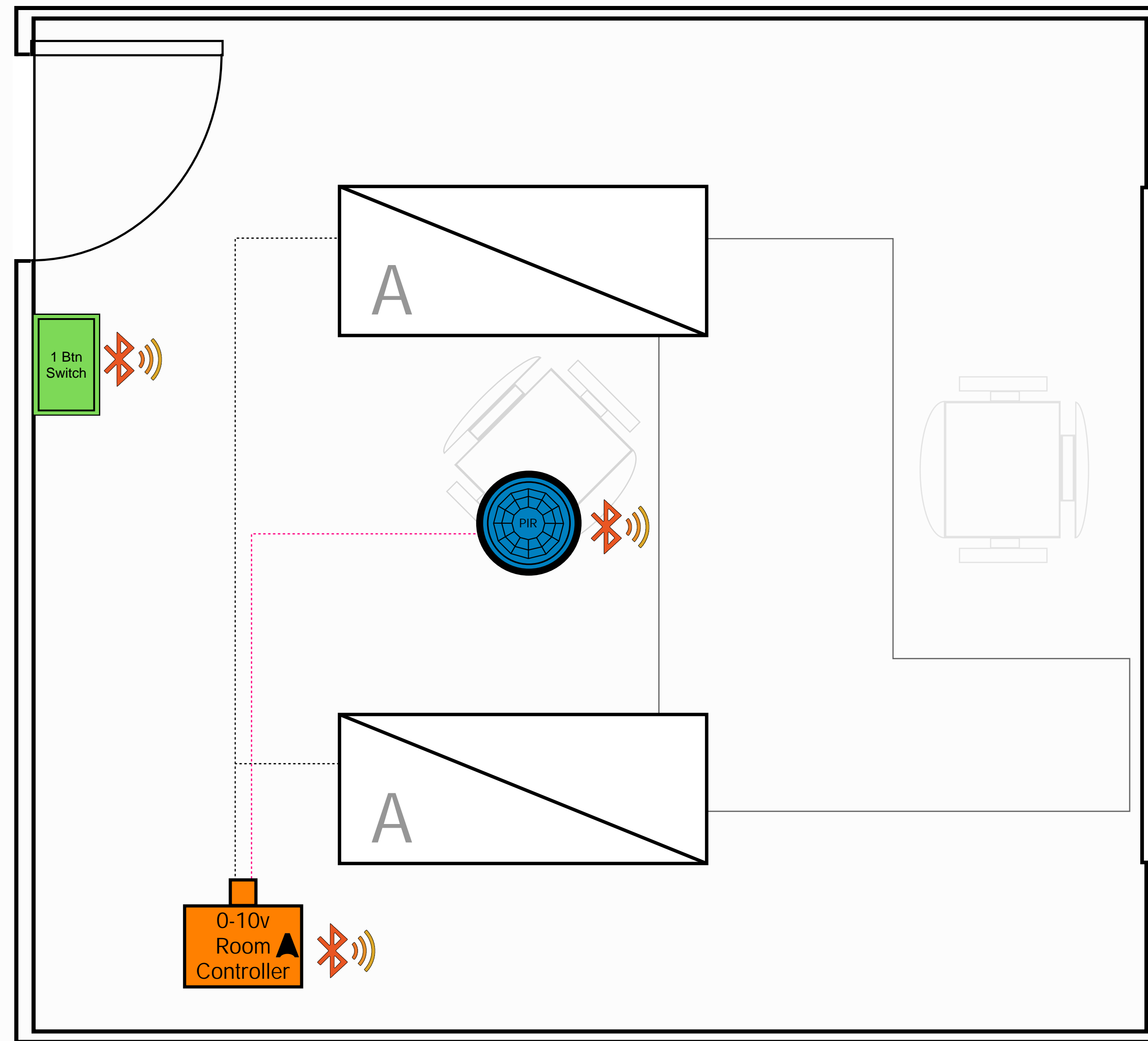
Low Voltage OCC/VCC Sensor w/ Power Supply



Code Compliance

C405.2.1	Occupancy Sensor Controls
C405.2.1.1	Manual On / Partial Auto On
C405.2.2.2	Light Reduction Controls
C405.2.5	Manual Controls

Floor plan/layout



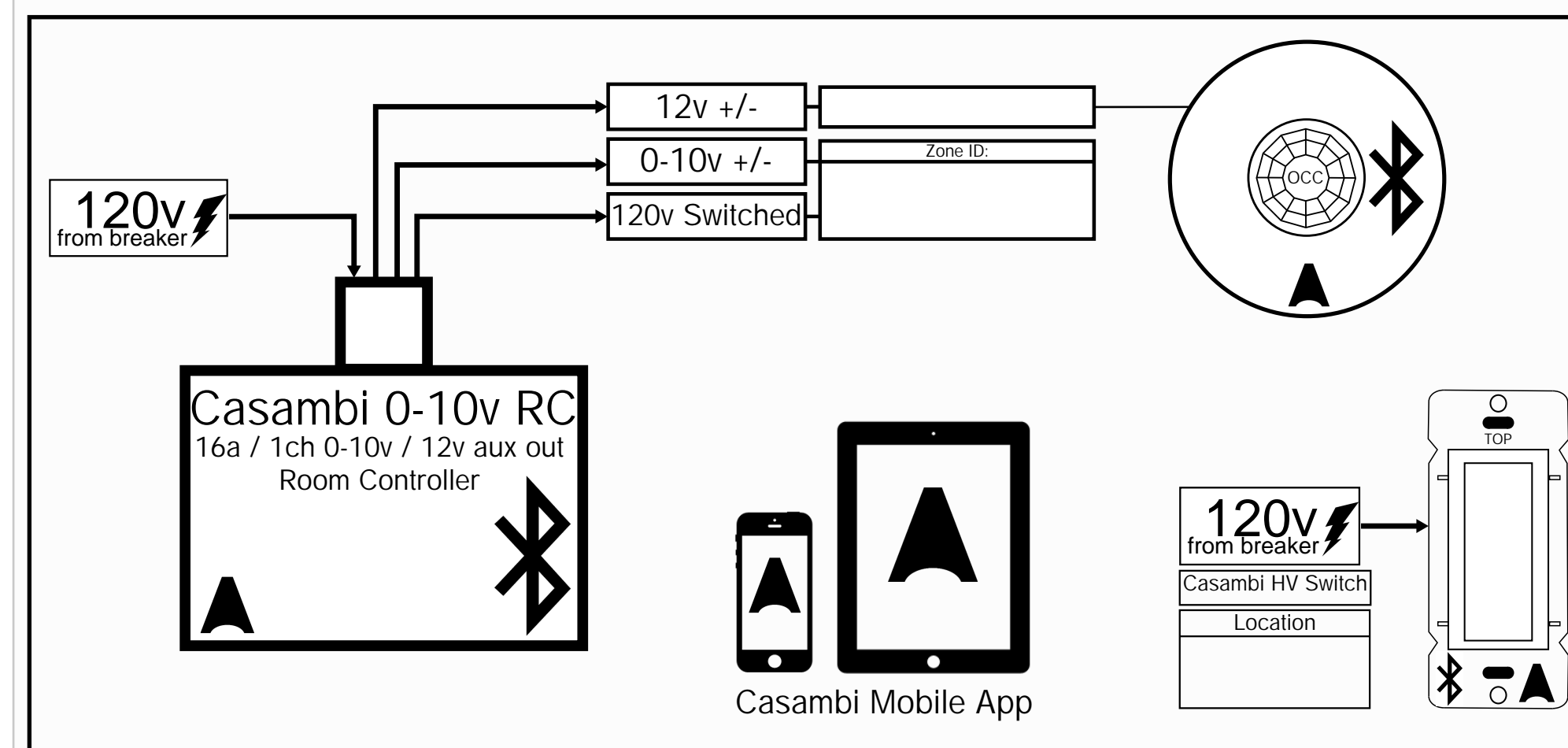
Sequence of Operations Example:

1. Manual light on via wall switch
2. Auto-off via OCC Sensor
3. Partial on via Switch
4. Light Reduction via Timer

Design Considerations

1. Wireless Switch & Sensor available for Retro Fit
2. Room can be fully networked with other Casambi Devices w/ no additional hardware.

Single-Line



Detailed Wiring

