

Casambi Ecosystem Products

Casambi Ready 0-10v Room Controller
Casambi Ready Room Controller: 120-277VAC with dimming, 12V aux. Sensor Input, Power Monitoring, 10A Relay

- 100-277VAC Input Voltage
- 0-10v Output to LED Driver
- Relay With Zero-Crossing
- Active High Output for Relay Drive
- 12V aux Power

Casambi Ready Low Voltage PIR Sensor
Casambi Ready PIR Ceiling Mount Occupancy Sensor: 12-24VDC

- Quick Response PIR sensor
- LED Motion Indicator
- Active High/Low outputs for Relay drive
- Mounting height up to 15ft (3.9m)
- 300' coverage pattern
- Bluetooth module enables remote sensor control
- Programming with greater customization
- Smart device

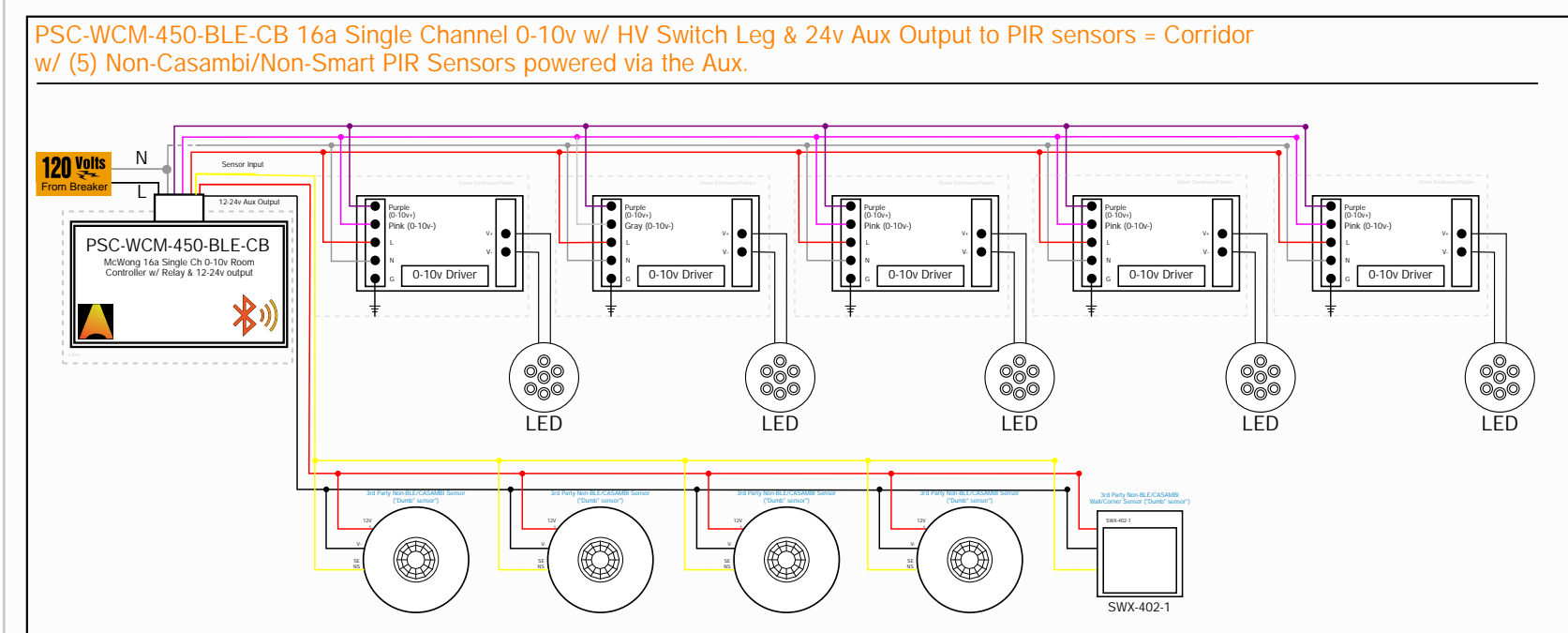
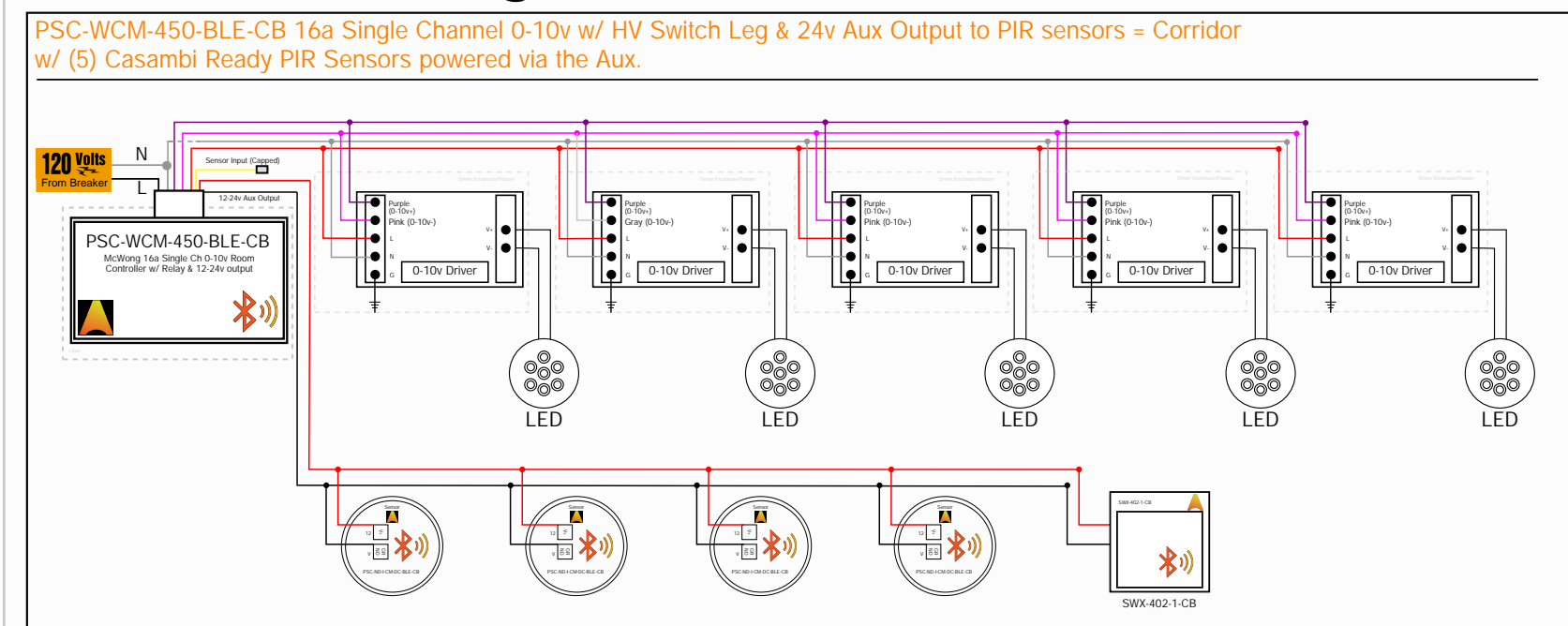
BTT-S1AWH & BTT-S2AWH
Bluetooth BLE Single or Double Socket Wireless Switch - White (grey colors available)

- 16A-rated wireless switches
- Control: Single and 2-way switches
- Control: Lights, motors, or other electrical loads
- Interchangeable on-site as needed

Casambi Ready Gateway
Gateway with Power Supply Unit

- Bluetooth/BLE, ZigBee, 433MHz, 900MHz, 2.4GHz, 5.8GHz
- 4x4 MIMO antenna
- 2x RJ45 ports (10/100/1000 Mbps)
- Supports: DHCP, DNS, DDNS
- 100% uptime
- 120V aux power
- 120V aux power
- Power over Ethernet (PoE) support
- Power over Ethernet (PoE) support
- Power over Ethernet (PoE) support
- Power over Ethernet (PoE) support

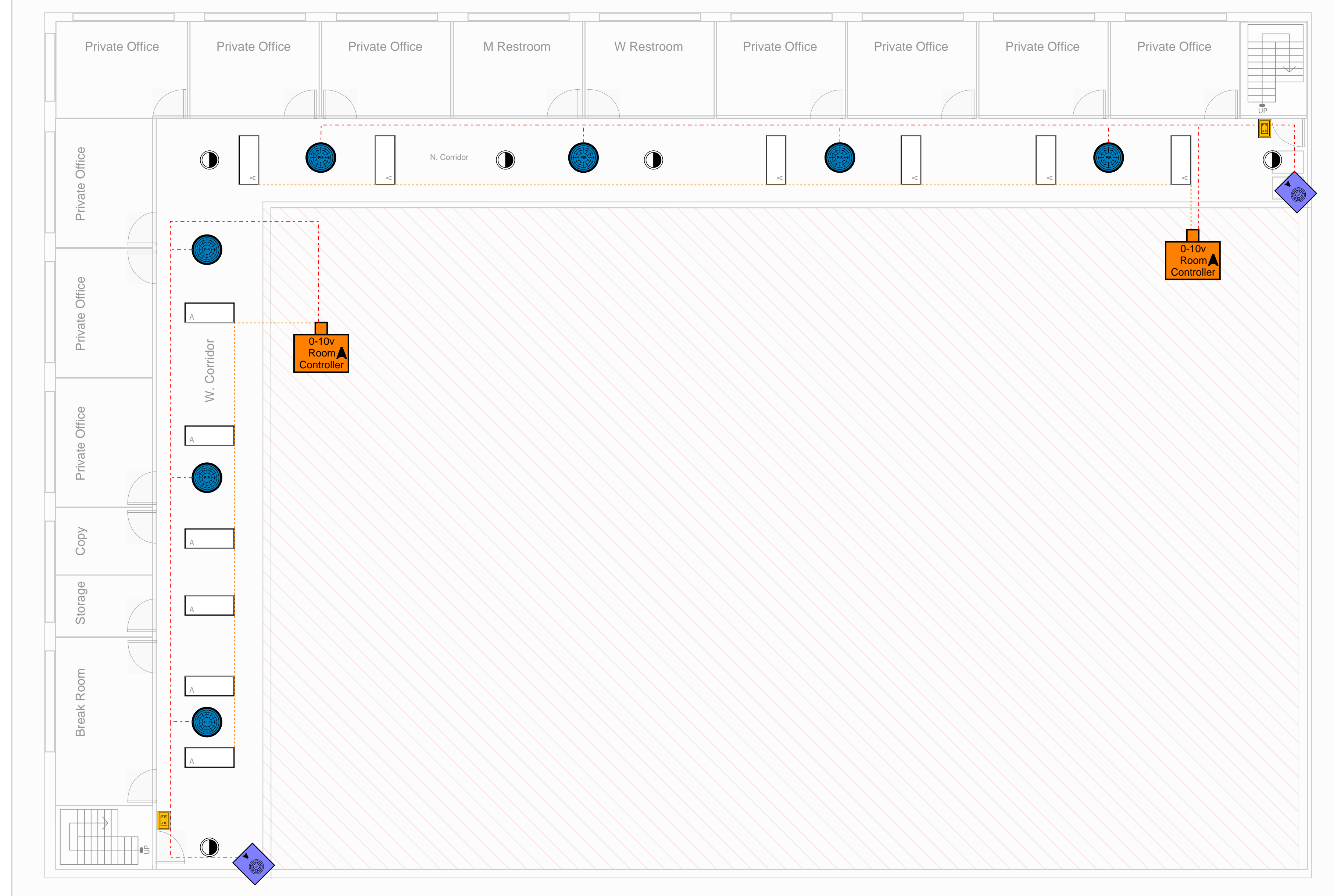
Detailed Wiring



Code Compliance

| | | | |
|------------|--------------------------------|----------|---------------------|
| c405.2.1.4 | Occupancy Sensors in Corridors | C405.2.2 | Timeswitch Controls |
|------------|--------------------------------|----------|---------------------|

Floor plan/layout



Sequence of Operations Example:

2. Auto-off / Auto-on via OCC/VAC Sensor
2. Scheduled on/off via timer
3. Timed based levels

Design Considerations

1. Wireless Switch & Sensor available for Retro Fit
2. Sensors wired in series to create a single zone of detection. Can use Casambi Ready sensors, or non-BLE sensors wired to the sensor input.

Single-Line

